

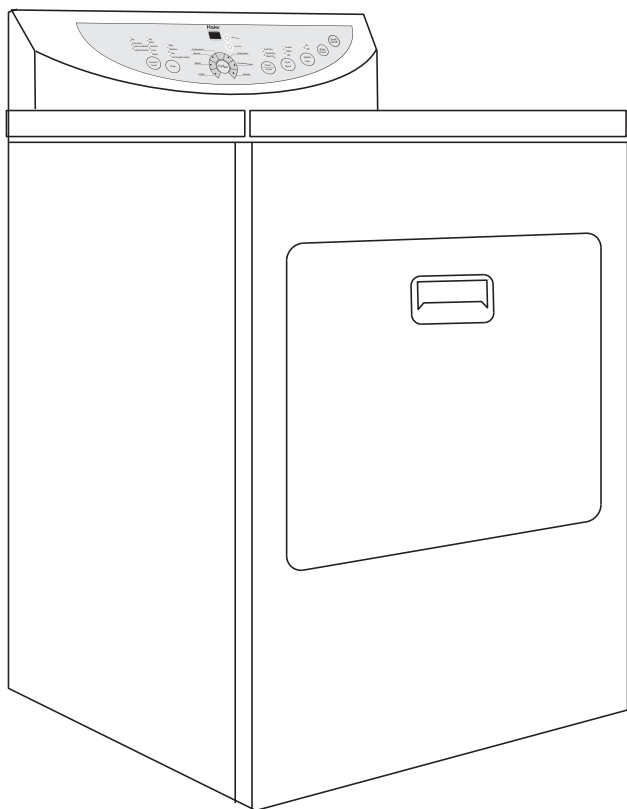
# Electric Dryer

---

# Sèche-linge Genesis

---

# Secadora Eléctrica



## User Manual

Model # RDE400AW/R,RDE200AW,CRDE400AW/R,CRDE200AW

---

## Guide de l'Utilisateur

Modèle # RDE400AW/R,RDE200AW,CRDE400AW/R,CRDE200AW

---

## Guide del Usuario

Para Modelo de # RDE400AW/R,RDE200AW,CRDE400AW/R,CRDE200AW

**Haier**

Quality • Innovationg • Style

# IMPORTANT SAFETY INSTRUCTIONS

**Warning- To reduce the risk of fire, electric shock, or injury to persons when using your appliance, follow basic precautions, including the following:**

1. **Read all instructions before using the appliance.**
2. Do not dry articles that have been previously cleaned in, washed in, soaked in, or spotted with gasoline, dry-cleaning solvents, or other flammable or explosive substances, as they give off vapors that could ignite or explode.
3. Do not allow children to play on or in the appliance. Close supervision of children is necessary when the appliance is used near children.
4. Before the appliance is removed from service or discarded, remove the door to the drying compartment.
5. Do not reach into the appliance if the drum is moving.
6. Do not install or store this appliance where it will be exposed to water And/or to the weather.
7. Do not tamper with controls.
8. Do not repair or replace any part of the appliance or attempt any servicing unless specifically recommended in the user-repair instructions that you understand and have skills to carry out.
9. Do not use fabric softeners or products to eliminate static unless recommended by the manufacturer of the fabric softener or product.
10. Do not use fabric softeners or products to eliminate static unless recommended by the manufacturers of the fabric softener or product
11. Clean lint screen before or after each load.
12. Keep area around the exhaust opening and adjacent surrounding areas free from the accumulation of lint, dust and dirt.
13. The interior of the appliance and the exhaust duct should be cleaned periodically by qualified service personnel.
14. Do not place items exposed to cooking oils in your dryer. Items contaminated with cooking oils may contribute to a chemical reaction that could cause a load to catch fire
15. If material has been used with any flammable liquids or solids, it should not be used in the dryer until all traces of the flammable liquids and its fumes have been removed.

16. This dryer must be properly installed in accordance with the installation instructions before it is used. See grounding instructions in the installations sections.
17. Proper grounding must be ensured to reduce the risk of electric shock and force. Check with a qualified electrician or service personnel if you are in doubt as to whether the dryer is properly grounded.
18. Use the dryer only for its intended purpose, drying clothes.
19. Always disconnect dryer from electrical supply before attempting any service. Disconnect power cord by grasping the plug, not the cord.
20. Replace worn power cords and/or loose plugs.
21. To reduce the risk of electric shock or fire, do not use extension cords or adapters to connect dryer to electrical power source.

## SAVE THESE INSTRUCTIONS

### DANGER

**Risk of child entrapment. Before you throw away your old dryer, take off the door so that children may not get trapped inside.**

Thank you for using our Haier product. This easy-to-use manual will guide you in getting the best use of your dryer.

\_\_\_\_\_

Model number

\_\_\_\_\_

Serial number

Remember to record the model and serial number. They are on a label in back of the dryer.

\_\_\_\_\_

Date of purchase

Staple your receipt to your manual.

**You will need it to obtain warranty service.**

# Tables Of Contents

	PAGE
<b>Safety Instructions</b> .....	<b>1</b>
<b>INSTALLATION INSTRUCTIONS</b> .....	<b>4-12</b>
Tools and Materials Required .....	<b>4</b>
Electrical Requirements .....	<b>4</b>
Unpacking Your Dryer .....	<b>4</b>
Exhaust System Connections .....	<b>5</b>
Requirements and Instructions .....	<b>5</b>
Materials .....	<b>6</b>
Location of Your Dryer .....	<b>7</b>
Installation in Mobile Home .....	<b>7</b>
Electrical Connections .....	<b>9</b>
Requirements and Instructions .....	<b>9</b>
3-Wire Cord Connections .....	<b>10</b>
4-Wire Cord Connections .....	<b>11-12</b>
<b>OPERATING INSTRUCTIONS</b> .....	<b>13-22</b>
Understanding the Control Panel .....	<b>13</b>
Preparations before drying .....	<b>15</b>
Load clothes into dryer .....	<b>16</b>
Auto Dry cycle .....	<b>16-18</b>
Timed Dry cycle .....	<b>20</b>
Rack Dry cycle .....	<b>20</b>
Other Features .....	<b>21</b>
Normal Operating Sounds .....	<b>22</b>
Tips .....	<b>22</b>
<b>Care and Cleaning Guide</b> .....	<b>23</b>
<b>Troubleshooting</b> .....	<b>24</b>
<b>WARRANTY</b> .....	<b>24</b>

# INSTALLATION INSTRUCTIONS

- Select a suitable location for the dryer on a hard even surface away from direct sunlight or heat sources, baseboard heaters, cooking appliances etc. Any floor unevenness should be corrected with leveling legs located on the bottom of the dryer.

## Tools and Materials Required

- Phillips head and flathead screwdrivers
- Channel-lock adjustable pliers
- 1/2 inch open end wrench
- Carpenter's level
- Measuring tape (12ft. Min.)
- Duct tape
- Rigid or flexible metal 4 inch (10.2 cm) duct
- Vent hood

## Electrical Requirements

### U.S. Only

#### Power supply:

3 or 4 wire, 240 Volt, 30 Amp, 60Hz, 1 Phase Power Supply Cord Kit (not supplied when sold in the United States) □ Purchase to meet local electrical codes. The dryer MUST employ a 3-conductor power supply cord NEMA 10-30 Type SPDTE RATED AT 240 Volt AC minimum, 30 Amp., with 3 open end spade lug connectors with upturned ends or closed loop connectors and marked for use with clothes dryers. If being installed in a manufactured (mobile) home, the dryer MUST employ a 4-conductor power supply cord. NEMA 14-30 type SRDT or ST (as required) rated at 240 Volt AC Minimum, 30 Amp., with 4 open end spade lug connectors with upturned ends or closed loop connectors and marked for use with clothes dryers. See Electrical Connections for A 4-Wire System.

### Canada. Only

Canadian models are supplied with the appropriate power cord.

## Unpacking Your Dryer

1. Remove all packaging material. This includes the foam base and all adhesive tape holding the dryer accessories inside and outside.
2. Inspect and remove any remains of packaging, tape or printed materials before using the dryer.

# Exhaust System Connections

## Requirements and Instructions

### WARNING



***The following are specific requirements for proper and safe operation of your dryer. Failure to follow these instructions can create excessive drying times and fire hazards.***

1. Do not use plastic flexible duct to exhaust the dryer. Excessive lint can build up inside system and create a fire hazard and restrict air flow. Restricted air exhaust flow will increase dryer times. If your present system is made up of plastic duct or metal foil duct, replace it with a rigid or flexible metal duct. Ensure present duct is free of any lint prior to installing dryer duct.
2. If the dryer is not exhausted out doors, some fine lint will be expelled into the laundry area. An accumulation of lint in any area of the home can create a health and fire hazard. To reduce risk of fire, dryer **MUST BE EXHAUSTED OUTDOORS**.
3. Do not allow combustible material (for example: clothing, draperies/curtains, paper) to come in contact with venting system. The dryer must not be exhausted into a chimney, a wall, a ceiling, or any concealed space of a building which can accumulate lint, resulting in a fire hazard.
4. Exceeding the length of duct pipe or number of elbows allowed in the "Maximum Length" charts can cause an accumulation of lint in the exhaust system. Plugging the system could create a fire hazard, as well as increase drying times.
5. Do not screen the exhaust ends of the vent system, nor use any screws or rivets to assemble the exhaust system. Lint can become caught in the screen, on the screws or rivets, clogging the duct work and creating a fire hazard as well as increasing drying times. Use an approved vent hood to terminate the duct outdoors, and seal all joints with duct tape. All male duct pipe fittings must be installed downstream with the flow of air.



#### **Explosion hazard:**

Do not install the dryer where gasoline or other flammables are kept or stored. If the dryer is installed in a garage, it must be minimum of 18 inches (45.7 cm) above the floor. Failure to do so can result in death, explosion, fire or burns.

## Materials

Use only 4 inch (10.2cm) diameter (minimum) rigid or flexible metal duct and approved vent hood which has a swing-out damper that opens when the dryer is in operation. When the dryer stops, the dampers automatically close to prevent drafts and the entrance of insects and rodents. To avoid restricting the outlet, maintain a minimum of 12 inches (30.5cm) clearance between the vent hood and the ground or any other obstruction. The vent flap should be able to move freely.

Although vertical orientation of the exhaust system is acceptable. Certain extenuating circumstances could affect the performance of the dryer:

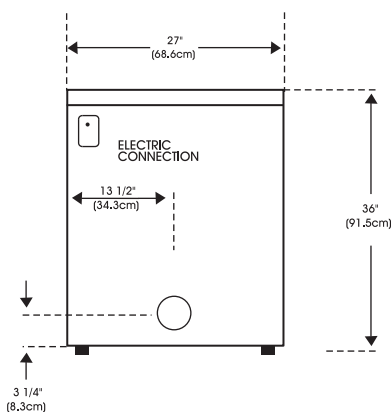
1. Only rigid metal duct work should be used.
2. Venting vertically through a roof may expose the exhaust system to down drafts causing an increase in vent restriction.
3. Running the exhaust system through an area not insulated may cause condensation and faster accumulation of lint.
4. Compression or crimping of the exhaust system will cause an increase in vent restriction.

The exhaust system should be inspected and cleaned a minimum of every 12 months with normal usage. The more the dryer is used the more often you should check the exhaust system and vent hood for proper operation.

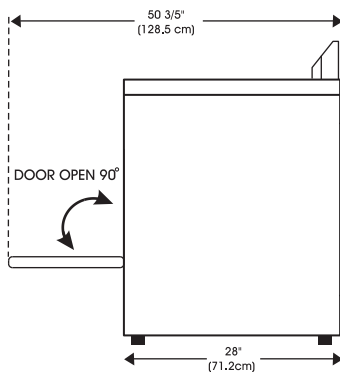
# Location of Your Dryer

Do Not Install Your Dryer:

- In an area exposed to dripping water or outside weather conditions.
- In an area where it will come in contact with curtains, thick carpet, or anything that will obstruct the flow of combustion and ventilation air.
- On carpet. Floor must be solid with a maximum slope of 1 inch (2.54 cm).



REAR VIEW

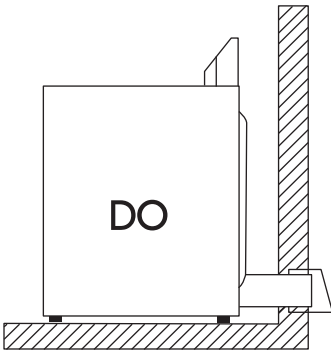


SIDE VIEW

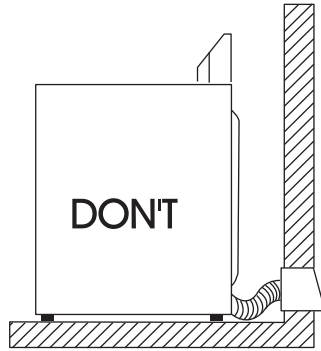
# Installation in Mobile Home

- Dryer must be exhausted outside (outdoors, not beneath the mobile home) using metal ducting that will not support combustion. Metal ducting must be 4 inches (10.16 cm) in diameter with no obstructions. Rigid metal duct is preferred.
- If dryer is exhausted through the floor and area beneath the mobile home is enclosed, the exhaust system must terminate outside the enclosure with the termination securely fastened to the mobile home structure.
- Refer to previous pages for other important venting requirements.
- Installation must conform to current Manufactured Home Construction & Safety Standard.

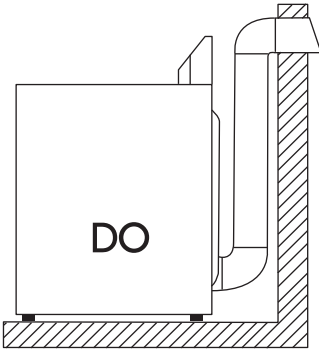




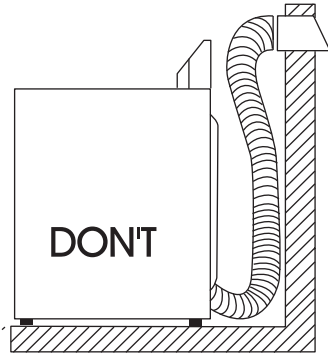
Correct



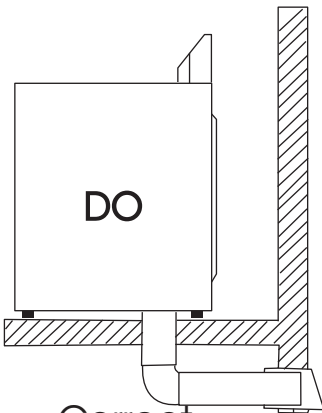
Incorrect



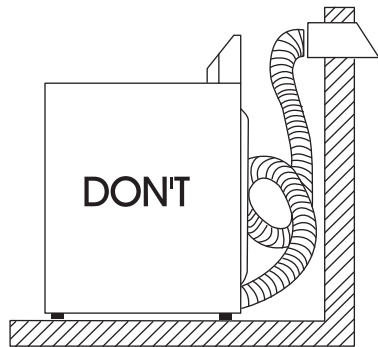
Correct



Incorrect



Correct



Incorrect

# Electrical Connections

## Requirements and Instructions

### WARNING



***The following are specific requirements for proper and safe electrical installation of your dryer. Failure to follow these instructions can create electrical shock and/or fire hazard.***

1. This appliance must be properly grounded. Electrical shock can result if the dryer is not properly grounded. Follow the instructions in this manual for Proper grounding.
2. Do not use an extension cord with this dryer. Some extension cords are not designed to withstand the amounts of electrical current this dryer utilizes and can melt, creating electric shock and/or fire hazard. Locate the dryer within reach of the receptacle for the length power cable to be purchased, allowing Some slack in the cord. Refer to the electrical requirements in this manual for The proper power cord to be purchased.
3. A UL approve strain relief must be installed onto power cable. If the the strain relief is not attached, the cord can be pulled out of the pulled out of the dryer and can be cut by any movement of the cord, resulting in electrical shock.
4. Do not use an aluminum wire receptacle with copper wired power cord and plug (or vice versa). A chemical reaction occurs between copper and aluminum and can cause electrical shorts. The proper wiring and receptacle is a copper wired power cord with a copper wired receptacle.

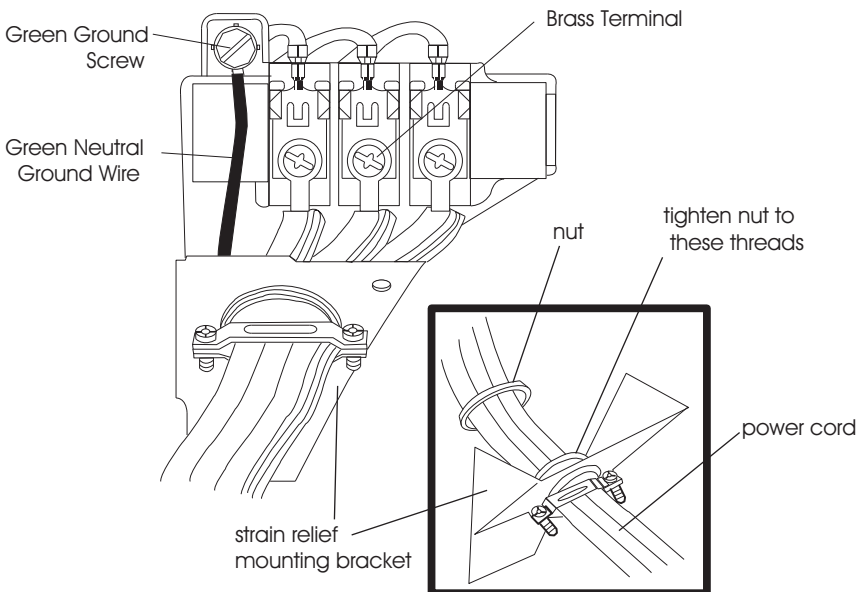
**Note:** Dryers operating on 208 Volt power supply sill have longer drying times than operation on 240 Volt power supply.



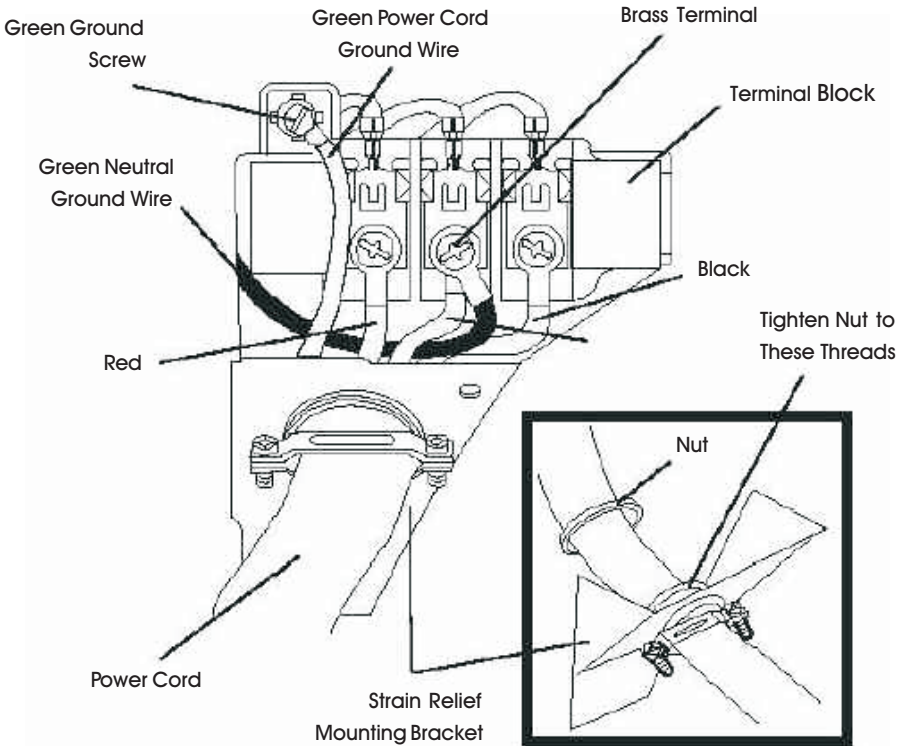
**Danger:** Improper connection of the equipment grounding conductor can result in a risk of electrical shock. Check with a licensed electrician if you are in doubt as to whether the appliance is properly grounded.

### 3-Wire Cord Connections ( USA only )

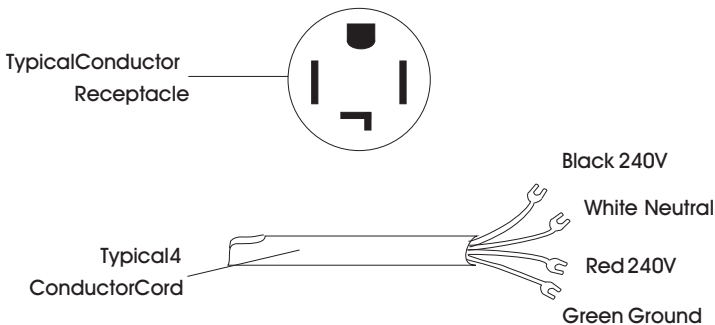
1. Remove the screws securing the terminal block access cover and the strain relief mounting bracket located on the back of the dryer in the upper corner.
2. Install a U.L. approved strain relief into the power cord entry hole of the mounting bracket. Finger tighten the nut only at this time.
3. Thread a U.L. Approved 30 Amp. Power cord, NEMA 10-30 Type SRDT, through the strain relief.
4. Attach the power cord neutral (center wire) conductor to the brass colored center terminal on the terminal block. Tighten the screw securely.
5. Attach the remaining two power cord outer conductors to the outer brass colored terminals on the terminal block. Tighten both screws securely.  
**Warning:** Do not make a sharp bend or crimp wiring/conductor at connections.
6. Reattach the strain relief mounting bracket to the back of the dryer with two screws. Tighten screws securely.
7. Tighten the screws securing the cord restraint firmly against the power cord.
8. Tighten the strain relief nut securely so that the strain relief does not turn.
9. Reinstall the terminal block cover.



## 4-Wire Cord Connections



1. Remove the screws securing the terminal block access cover and the strain relief mounting bracket located on the back of the dryer upper corner.
2. Install a UL approved strain relief into the power cord entry hole of the mounting bracket. Finger tighten the nut only at this time.
3. Remove the green neutral ground wire from the green ground screw located above the terminal block.



4. Thread a U.L. approved 30 Amp power cord. NEMA 14-30 type ST or SRDT through the strain relief.
  5. Attach the green power cord ground wire to the cabinet with green ground screw.
  6. Attach the white (neutral) power cord conductors to the outer cord and the green ground wire from the dryer harness to the brass-colored center terminal on the terminal block. Tighten the screw securely.
  7. Attach the red and black power cord conductors to the outer brass-colored terminals on the terminal block.
- Warning:** Do not make a sharp bend or crimp wiring /conductor at connections.
8. Tighten the screws securing the cord restraint firmly against the power cord.
  9. Tighten the strain relief nut securely so that the strain relief does not turn.
  10. Reinstall the terminal block cover.



**Caution:** Label all wires prior to disconnection, when servicing controls. Wiring errors can cause improper operation and be dangerous. Check unit for proper operation after servicing.



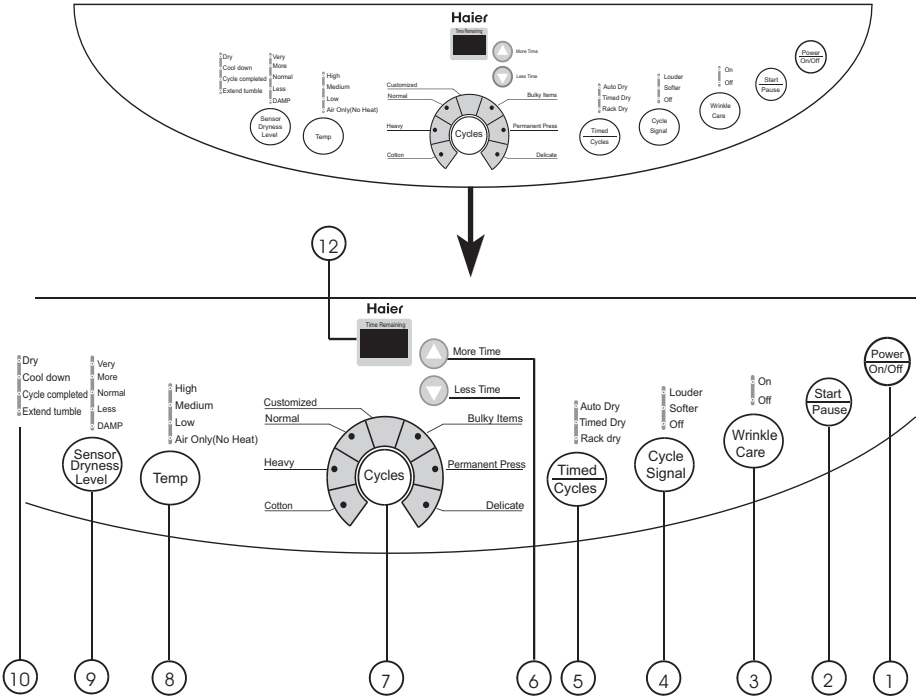
**Warning:** Discard or destroy the carton and plastic bags after the dryer is unpacked. Children should not be allowed to use them to play with. Cartons covered with rugs, bedspreads, or plastic sheets can become an airtight chamber and cause suffocation leading to death. Make all packing materials inaccessible to children.



**Warning:** The instructions in this manual and all other literature included with this dryer can not cover every possible condition and situation that may occur. Good safety practice and caution must be applied when installing, operating and maintaining any appliances. After installing, if you are in doubt, call a certified electrician to install and wire the dryer.

# OPERATING INSTRUCTIONS

## Understanding the Control Panel



**Note:** Features may vary per model

### Power On/Off Button: (1)

- Press the button once to operate the dryer. Press the button once again to turn the dryer "OFF".

### Start/Pause Button: (2)

- Press this button once to start the dry process. Press this button once again to pause the activity during the dry cycle.

### Wrinkle Care Button: (3)

- Used to select wrinkle-proof function. Automatically set as off after powering on.

**Cycle Signal Button: (4)**

- Used to select buzzing volume or turn off the buzzer.

**Timed/Cycles Button: (5)**

- "Timed/Cycles" button will let you select your desired dry mode.  
Auto Dry: automatically set "Sensor Dryness Level", "Temp", "Cycle Signal", "Wrinkle Care" buttons status according to clothes loaded.  
Timed Dry: you can set status of "Temp", "Cycle Signal" and "Wrinkle Care" buttons and dry time with "More Time" and "Less Time" buttons by yourself.  
Rack Dry: the program used to dry article like sport shoes.

**More Time & Less Time Button: (6)**

- Set time from 0 to 180 minute when Timed Dry **or** Rack Dry cycle selected.

**Cycles Button: (7)**

- "Cycle" button will let you select your desired dry cycles. For your convenience, there are seven fabric care dry cycles programmed in this mode: Customized, Normal, Heavy, Cotton, Bulky Items, Permanent Press and Delicate.

Customized	The drying program defined by user himself and stored.
Normal	Normal drying
Heavy	Big clothes drying like jeans
Cotton	Special drying for cotton clothes
Delicate	Drying small quantity clothes
Permanent Press	Drying underwear or clothes requiring smoothness
Bulky Items	Drying bulky clothing

**Temp Button: (8)**

- Used to set drying temperature. There are 4 available drying temperatures: High, Medium, Low, and Air only(no heat).

**Sensor Dryness Level Button: (9)**

- Used to set drying time of auto-programs. If no auto-program is selected, pressing the button is inactive and will get alarms.

**Status lights: (10)**

- Status lights give notification of which part of the cycle the machine is in.

**Nixie display: (12)**

- Indicate remaining time (min) during cycle operation.  
Indicate remaining reserved time (hr) during reservation.  
Note: if door opened during cycle running, displays "E2" and alarms.

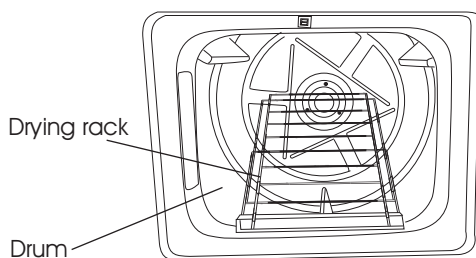
## Function Light Indicator:

- The function "display light" indicates selected feature is "ON" or the cycle is about to begin.
- During the dry cycle, "flashing light" indicates current running program.
- Rapidly flashing light indicates that the dryer is not operating properly.

## Preparations before drying

- Group the clothes of the same kind (cotton, chemical fibres, woolen) to dry.
- Dark and light colored clothes shall be separately dried. Fabrics prone to falling lint and those prone to adhering lint shall be separately dried. Clothes prone to falling lint shall be turned inside out before putting into the dryer.
- Make sure buttons and ornaments on the clothes are high temperature resistant and won't damage drum surface. Before loading, the clothes shall have their zippers zipped up, buttons and hooks done up and belts tied so as to avoid entanglement or other obstacles.
- If possible, turn out the clothes pockets for uniform drying.
- Check if clothes remain soiled. If yes, wash it away again, otherwise the soils after drying may not be removed permanently.
- Small articles shall be collected in a mesh bag before loading and drying, so as to avoid entanglement and ensure easy to be taken out.
- Make sure power socket is reliably grounded. The grounding terminal shall not be connected to gas or tap water pipelines.
- Make sure exhaust duct has been connected with extension pipe.
- Make sure lint filter is clean and then assemble it properly. If lint filter is not in place, tumbling items could enter the exhaust system and cause damage to the dryer.

**Notes:** It applies to Auto Dry cycle and Timed Dry cycle. For Rack Dry cycle, remove the lint filter and assemble the drying rack with its rear end slightly downward inclined. The assembled status is as shown in the following figure:





# Load clothes into dryer

## Auto Dry cycle and Timed Dry cycle

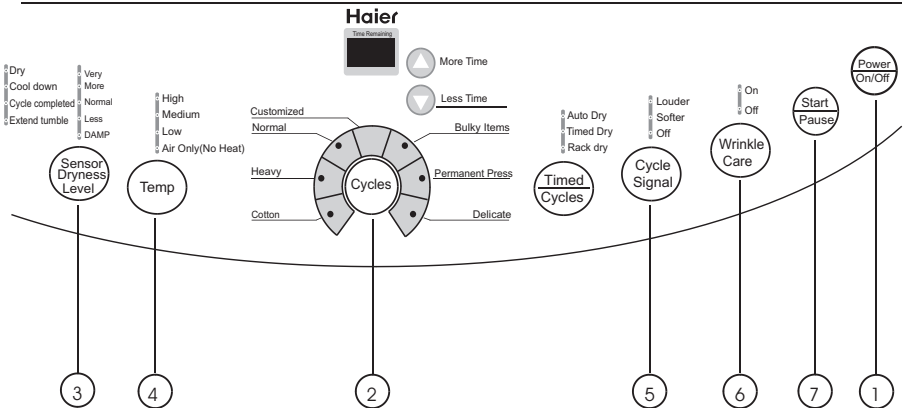
- The appropriate load shall be 1/3 ~ 1/2 of the drum volume. Avoid too much load, for a certain space is needed to allow clothes free rotation for uniform and wrinkle-proof drying.
- When drying big articles, only 2-3 pieces shall be loaded at a time and supplemented with middle and small articles.
- For elaborate clothes or less load, two towels without lint falling may be added to get better drying and wrinkle-proof effects.
- Do not excessively dry clothes to avoid wrinkles, shrinkage, roughness, electrostatic charges accumulation and more lint.

## Rack Dry cycle

- This program is designed specially for articles like sport shoes. During drying please make sure the clothes reliably stay on the rack with no risk of entangling the agitation blade while drum is rotating.

Note: If drying rack is not in place, rolling inner tub could collide with drying rack and causes damage to the dryer and drying rack.

# Auto Dry cycle



## 1. Press "Power On/Off" button to power on

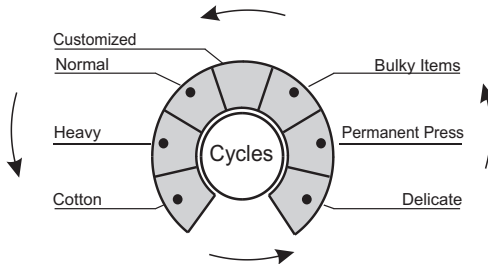
- Turn on the power switch, the computer board beeps once and the dryer transfers from off status to the initial operating status (Normal program);
- If no "Start/Pause" button is pressed in 5 min after powering on, it automatically cuts off power and returns to off status;
- It returns to off status immediately upon end of a cycle; Whatever status the computer board is (start, pause, alarm etc.), Pressing "Power On/Off" button will stop all operations and it enters off status.

- Various button initial status for "Normal program"

Cycle Signal	Softer
Wrinkle Care	Off
Cycles	Normal
Nixie display	Indicate current program remaining time
Temp	High
Sensor Dryness Level	More Dry
Timed/Cycles	Auto-program

## 2. Press "Cycles" button to select a suitable full automatic cycle

- The Normal program will be automatically selected after powering on. If other full automatic program is desired, press "Auto-program Selection" button until corresponding indicator turns on.



- Initial status of various buttons when setting "Auto-program Selection".

Cycles	Normal	Heavy	Cotton	Delicate	Permanent Press	Bulky Items
Wrinkle Care	To be used together with reserve function, off if reserve is disabled					
Cycle Signal	Softer					
Delay Start	Indicate current selected program remaining time					
Timed/ Cycles	Auto Dry					
Temp	High	High	Midium	Low	Air Only(No Heat)	High
Dryness Level	More Dry					

Notes: If "Customized" is selected, various buttons will indicate previous conditions set by the user.

- "Customized" function is a program designed to facilitate user's operation. It can memorize programs defined by user himself and display the previous program upon next application of this function.

Use details are as follows:

After powering on, press "Cycles" until "Customized" status, then set "Cycles" to Timed Dry or Rack Dry, and set status of other buttons. Press "Start/Pause" button or after half a minute, the program defined by user himself will be stored and will be directly displayed upon next use.

Notes: Pressing "Sensor Dryness Level" button will be inactive during use of "Customized" function.

3. Press "Sensor Dryness Level" button to select a suitable drying time

- After powering on, the clothes dryer automatically sets dryness at "Very", which means the normal drying time. If other drying time is desired, press "Sensor Dryness Level" button to select a shorter time.

4. Press "Temp" button to set a suitable drying temperature

- After switching on, the dryer sets corresponding temperature adapting to different program selected. If other drying temperature is wanted, press "Temp" button to enable such a selection.

5. Press "Cycle Signal" button, you will be reminded up upon end of a cycle

- After switching on, the dryer automatically sets buzzer at "Softer", while the user may define three prompt sound conditions "Louder", "Softer" and "Off".

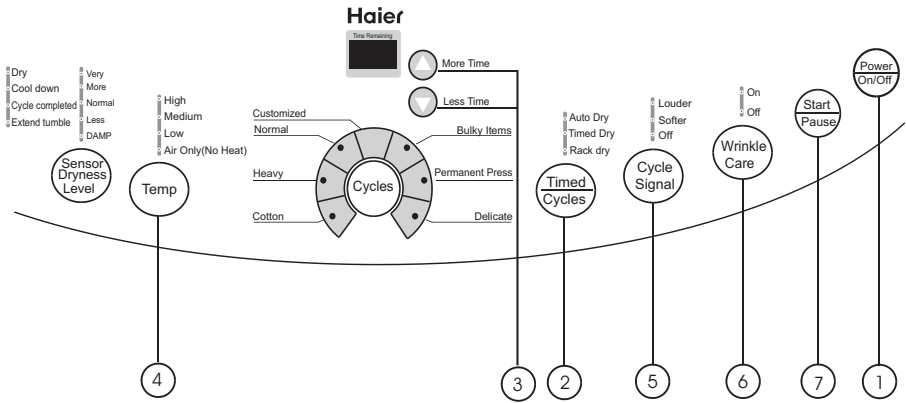
6. Press "Wrinkle Care" button to select wrinkle-proof drying mode

- Wrinkle Care automatically sets "Off" upon powering on. Press "Wrinkle Care" button, it sets wrinkle Care drying mode.
- Notes: "Wrinkle Care" function is preset to 60 minutes at Air only(No Heat) temperature. When drying cycle ends, clothes remained in hot drum is prone to creasing. "Wrinkle Care" function operates in tumbling clothes by intermittently rotating drum to avoid clothes wrinkling.

7. Press "Start/Pause" button

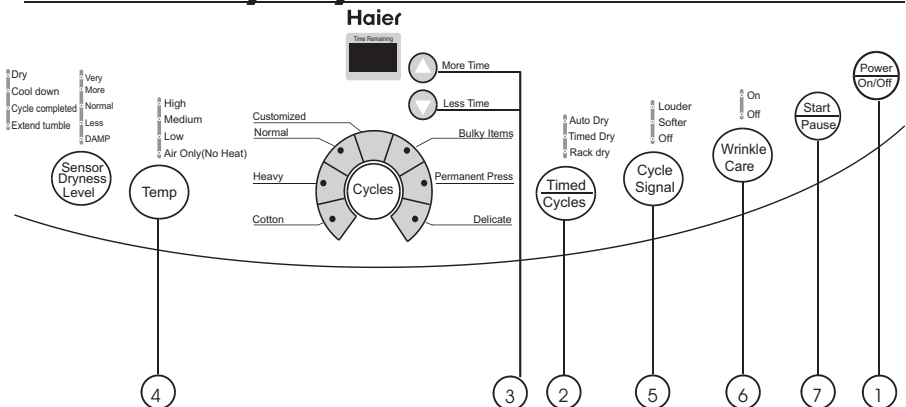
- If starting the machine, firstly close the front door and then press this button.
- If pause is needed during machine operating, press this button. Pressing again will resume operation.

# Timed Dry cycle



1. Press "Power On/Off" button to power on
2. Press "Timed/Cycles" button and select "Timed Dry" cycle
  - After powering on, press "Timed/Cycle" button to select "Timed Dry" program.
3. Press "More Time" And "Less Time" buttons to set a suitable time
  - After setting "Timed/Cycle" to "Timed Dry" , you can press these two buttons to increase or decrease drying time as you desires.
- 4-6. Press buttons "Temp", "Cycle Signal" and "Wrinkle Care" to define your desired program
  - Notes: For "Timed Dry" program, use of buttons "Temp", "Cycle Signal", "Delay Start" and "Wrinkle Care" is the same as for auto-programs. "Sensor Dryness Level" is here inactive, pressing of which will get alarms.
7. Press "Start/Pause" button

# Rack Dry cycle



1. Press "Power On/Off" button to power on
2. Press "Timed/Cycles" button and select "Rack Dry" cycle
  - After powering on, press "Timed/Cycle" button to select "Rack Dry" program.
3. Press "More Time" And "Less Time" buttons to set a suitable time
  - After setting "Timed/Cycle" to "Rack Dry" , you can press these two buttons to increase or decrease drying time as you desires.
- 4-7. Press buttons "Temp", "Cycle Signal", "Delay Start", and "Wrinkle Care" to define your desired program
  - Notes: For "Rack Dry" program, use of buttons "Temp", "Cycle Signal", and "Wrinkle Care" is the same as for auto-programs. "Sensor Dryness Level" is here inactive, pressing of which will get alarms.
8. Press "Start/Pause" button

## Other Features

Your dryer also has the following features for your convenience:

Lint Filter:

- All dryers come with a lint filter that needs to be cleaned before or after every use (read [Care and Cleaning Guide] Section).

Leveling Legs:

- ☐ Your dryer has four leveling legs which are located in the front and rear corners of your dryer. After installing your dryer in its final position, you can level your dryer.
- ☐ Leveling legs can be adjusted by turning them clockwise to raise your dryer or by turning them counterclockwise to lower your dryer.

## Normal Operating Sounds

The following sounds are normally heard during the operation of the dryer.

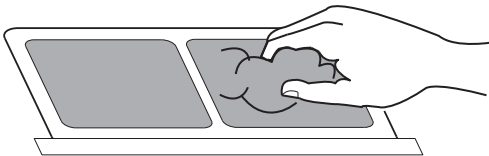
- **Tumbling sounds:** This is normal as the heavy wet clothes in the dryer are continuously being tossed around.
- **Air rushing noise:** This happens as the dryer drum spins at very high RPM and the air is rushing through the dryer drum.

### Tips

- For best drying results, clean the lint filter before and after every use.
- Do not overload the dryer.
- Balance the dryer load, evenly Throughout the dryer for the best results.
- Drying time depends on many variables: load size, type of fabric and moisture in it, heat and moisture in the room, electric voltage, length of the venting duct, etc.
- Always follow the fabric care instructions supplied by the garment manufacturer.

# Care and Cleaning Guide

- Lint filter needs to be cleaned before and after each use for your unit to Operate at optimum efficiency. The filter can be slid out, by pulling on The tab located on the inside of the dryer door. The filter may be Washed or vacuumed. Remove the excess water from the filter by Gently shaking the filter. This will remove dust and particles trapped in The filter. Lint build-up in screen restricts airflow, which causes longer Drying times. After cleaning, slide the filter back in place. **DO NOT USE YOUR DRYER WITHOUT THE LINT FILTER.**



lint filter

- Do not use any type of spray cleaner when cleaning the interior. Hazardous fumes or electric shock could occur if dryer drum becomes stained, clean the drum with a damp cloth. Remove any residue before drying the next load.
- Clean cabinet with mild soap and water. Do not use harsh or abrasive cleaners, this could damage the dryer.
- Clean the duct and the vent on a regular basis to avoid clogging which could affect the efficiency of the dryer.

# Troubleshooting

## **Dryer does not operate:**

- Check if unit is plugged in. The plug may have come loose.
- Check if the electrical wall socket is the correct voltage.
- Check if the circuit breaker needs to be reset or if the fuse needs to be replaced.
- Check if the unit is in Off mode. Press Power On/Off button again.
- Check if door is open or not in place. Open and close the door slightly and make sure in place.

## **Dryer is working but not drying the clothes:**

- Unit may be over loaded. The dryer drum should only be half full.
- Check exhaust ducts and vent. Vent should be free of all obstructions.
- Duct should be lint and dust free. Ducts should be cleaned regularly.
- Dryer load needs to be resorted. Heavy clothes may need to be separated from regular clothes.
- Bulky clothes may require repositioning.
- If clothes dry unevenly a higher dry setting may be required or clothes in the dryer may need to be resorted.

## **Dryer making noise when drying:**

- Coins, loose change, buttons and other heavy objects could make noise.
  - Dryer may need to be leveled properly.
- Read OPERATING INSTRUCTION-Normal Operating Sounds.

## **Static:**

- Caused by over drying. Adjust for shorter drying time.
- Mixed with synthetic fabric. Sort and separate different fabrics.
- Use a fabric softener.



# LIMITED WARRANTY

## Full ONE Year Warranty

For 12 months from the date of original retail purchase, Haier will repair or replace any part free of charge including labor that fails due to a defect in materials or workmanship.

## Limited Warranty

After only year from the original retail purchase date Haier shall provide a part at no cost, as indicated below, to replace said part as a result of a defect in materials or workmanship, Haier is solely responsible for the cost of the part. All other costs such as the cost of the part. All other costs such as labor trip charge, etc are the responsibility of the owner.

## Second Year.

Haier will provide All Parts.

## Third through Fifth Year.

NOTE: This warranty commences on the date the item was purchased and the original purchase receipt must be presented to the authorized service representative before warranty repairs are rendered.

Exceptions: Commercial or Rental Use warranty.

90 days labor from date of original purchase

90 days parts from date of original purchase

NO OTHER WARRANTY APPLIES.

## For Warranty Service

Contact your nearest authorized service center

All service must be performed by a Haier

authorized service center. For the name and

telephone number of the nearest authorized

service center please call

1-877-337-3639.

Before calling please have available the following information:

Model number and serial number of your appliance (found on the rear of the unit on the upper left hand side).

The name and address of the dealer you purchased the unit from and the date of purchase

A clear description of the problem.

A proof of purchase (sales receipt).

This warranty covers appliances within the continental United States, Puerto Rico and Canada.

What is not covered by this

warranty:

Replacement or repair of household fuses, circuit breakers, wiring or plumbing.

A product whose original serial number has been removed or altered.

Any service charges not specifically identified as normal such as normal service area or hours.

Damage to clothing.

Damage incurred in shipping

Damage caused by improper installation or maintenance.

Damage from misuse, abuse accident, fire, flood, or acts of nature.

Damage from service other than on authorized Haier dealer or service center.

Damage from incorrect electrical current, voltage or supply.

Damage resulting from any product modification, alteration or adjustment not authorized by Haier.

Adjustment of consumer operated controls as identified in the owners manual.

Hoses, knobs, lint trays and all attachments, accessories and disposable parts.

Labor, service transportation, and shipping charges for the removal and replacement of

detective parts beyond the initial 12-month period.

Damage from other than normal household use.

Any transportation and shipping charges.

THIS LIMITED WARRANTY IS GIVEN IN LIEU OF ALL OTHER WARRANTIES EXPRESSED OR INCLUDING THE WARRANTIES OF MERCHANTABILITY AND FITNESS FOR A PARTICULAR PURPOSE

The remedy provided in this warranty is exclusive and is granted in lieu of all other remedies.

This warranty does not cover incidental or consequential damages so the above limitations may not apply to you. Some states do not

allow limitations on how long on implied warranty lasts, so the above limitations may not

apply to you. |

This warranty gives you specific legal rights, and you may have other rights, which vary, from state to state.

Haier America

New York, NY 10018

## Free Manuals Download Website

<http://myh66.com>

<http://usermanuals.us>

<http://www.somanuals.com>

<http://www.4manuals.cc>

<http://www.manual-lib.com>

<http://www.404manual.com>

<http://www.luxmanual.com>

<http://aubethermostatmanual.com>

Golf course search by state

<http://golfingnear.com>

Email search by domain

<http://emailbydomain.com>

Auto manuals search

<http://auto.somanuals.com>

TV manuals search

<http://tv.somanuals.com>