

1.0 Cu.Ft. / 1000 Watt Grill & Convection Microwave Oven

Four à Micro-ondes Gril à Convection Naturelle 28L 1000 Watts

Horno Microondas con Grill por Convección de 1,0 Pies Cúbicos y 1000 Vatios



Read these instructions carefully before using your microwave oven, and keep it carefully. If you follow the instructions, your oven will provide you with many years of good service.

Lisez attentivement les instructions suivantes et conservez-les précieusement. Si vous suivez ces instructions, votre four vous donnera de longues années de bons et loyaux services.

Lea estas instrucciones con atención antes de usar su horno microondas y consérvelas con cuidado. Si sigue las instrucciones, su horno le brindará muchos años de buen servicio.

Owner's Manual
MWM10100GCSS

Manual del Usuario
MWM10100GCSS

Manual d'Utilisation
MWM10100GCSS

Haier

Quality · Innovation · Style

PRECAUTIONS TO AVOID POSSIBLE EXPOSURE TO EXCESSIVE MICROWAVE ENERGY

- (a) Do not attempt to operate this oven with the door-open since open-door operation can result in harmful exposure to microwave energy. It is important not to defeat or tamper with the safety interlocks.
- (b) Do not place any object between the oven front face and the door or allow soil or cleaner residue to accumulate on sealing surfaces.
- (c) Do not operate the oven if it is damaged. It is particularly important that the oven door close properly and that there is no damage to the :
- 1 Door (bent),
 - 2 Hinges and latches (broken or loosened),
 - 3 Door seals and sealing surfaces.
- (d) The oven should not be adjusted or repaired by anyone except properly qualified service personnel.

ADDENDUM

If the apparatus is not maintained in a good state of cleanliness, its surface could be degraded and affect the lifespan of the apparatus and lead to a dangerous situation.

SPECIFICATIONS

Model:	MWM10100GCSS
Rated Voltage:	120V~60Hz 2450MHz
Rated Input Power(Microwave):	1500W
Rated Output Power(Microwave):	1000W
Rated Input (Grill):	1150W
Rated Input (Convection):	1500W
Oven Capacity:	1.0 Cu.ft
Turntable Diameter:	12.4 inch
External Dimensions(LxWxH):	20.5X17.5X13.2 inch
Net Weight:	43.4 Lbs (Approx.)
Warning:	Handling the cord on this unit or cords associated with accessories sold with this product, will expose you to a chemical known to the state of California to cause cancer, and birth defects or other reproductive harm. Wash hands after handling.

CONTENTS

	PAGE
PRECAUTIONS TO AVOID POSSIBLE EXPOSURE TO EXCESSIVE MICROWAVE ENERGY	1
SPECIFICATIONS	1
IMPORTANT SAFETY INSTRUCTIONS	3
ADDITIONAL SAFETY TIPS	4
GROUNDING INSTRUCTIONS	4
UTENSILS GUIDE	5
Materials you can use in microwave oven	5
Materials to be avoided in microwave oven	6
SETTING UP YOUR OVEN	6-7
Names of Oven Parts and Accessories	6
Turntable Installation	7
Countertop Installation	7
Installation	7
OPERATION	8-13
Control Panel and Features	8
Operating Instructions	9-13
TROUBLE SHOOTING	14
LIMITED WARRANTY	15

IMPORTANT SAFETY INSTRUCTIONS

When using electrical appliances, basic safety precautions should be followed, including the following:

WARNING - To reduce the risk of burns, electric shock, fire, injury to persons or exposure to excessive microwave energy:

1. **Read all instructions before using the appliance.**
2. Read and follow the specific "PRECAUTIONS TO AVOID POSSIBLE EXPOSURE TO EXCESSIVE MICROWAVE ENERGY" on page 1.
3. This appliance must be grounded. Connected only to properly grounded outlet. See "GROUNDING INSTRUCTIONS" on page 4.
4. Install or locate this appliance only in accordance with the provided installation instructions on page 7.
5. Some products such as whole eggs and sealed containers, for example, closed glass jars may explode and should not be heated in this oven.
6. Use this appliance only for its intended use as described in this manual. Do not use corrosive chemicals or vapors in this appliance. This type of oven is specifically designed to heat, cook or dry food. It is not designed for industrial or laboratory use.
7. As with any appliance, close supervision is necessary when used by children.
8. To reduce the risk of fire in the oven cavity:
 - a. Do not overcook food. Carefully attend appliance if paper, plastic or other combustible materials are placed inside the oven to facilitate cooking.
 - b. Remove wire twist-ties from paper or plastic bags before placing bag in oven.
 - c. If materials inside the oven should ignite, keep oven door closed, turn oven off, and disconnect the power cord or shut off power at the fuse or circuit breaker panel.**
 - d. Do not use the cavity for storage purposes. Do not leave paper products, cooking utensils or food in the cavity when not in use.
9. Liquids, such as water, coffee, or tea are able to be overheated beyond the boiling point without appearing to be boiling. Visible bubbling or boiling when the container is removed from the microwave oven is not always present. THIS COULD RESULT IN VERY HOT LIQUIDS SUDDENLY BOILING OVER WHEN THE CONTAINER IS DISTURBED OR A UTENSIL IS INSERTED INTO THE LIQUID.
10. Do not deep fry food in the microwave. It is difficult to control the fat which could cause a fire hazard.
11. Pierce foods with heavy skins such as potatoes, whole squash, apples and chestnuts before cooking.
12. The contents of feeding bottles and baby jars should be stirred or shaken and the temperature should be checked before serving in order to avoid burns.
13. Cooking utensils may become hot because of heat transferred from the heated food. Potholders may be needed to handle the utensil.
14. Do not cover or block any openings on the appliance.
15. Do not store or use this appliance outdoors. Do not use this product near water, for example, near a kitchen sink, in a wet basement, or near a swimming pool, and the like.
16. Do not operate this appliance if it has a damaged cord or a plug, if it is not working properly or if it has been damaged or dropped.
17. Do not immerse cord or plug in water. Keep cord away from heated surface. Do not let cord hang over edge of table or counter.
18. Use only thermometers which are specifically designed for use in microwave ovens.
19. Be certain the glass tray and roller ring are in place when you operate the oven.
20. This appliance should be serviced only by qualified service personnel. Contact nearest authorized service facility for examination, repair, or adjustment.
21. Oversized foods or oversized metal utensils should not be inserted in a microwave/convection oven as they may create a fire or risk of electrical shock.
22. Do not clean with metal scouring pads. Pieces can burn off the pad and touch electrical parts involving a risk of electric shock.
23. Do not use paper products when appliance is operated in the convection or grill mode.
24. Do not cover racks or any other part of the oven with metal foil. This will cause overheating of the oven.
25. When cleaning surfaces or door and oven that comes together on closing the door, use only mild, nonabrasive soaps, or detergents applied with a sponge or soft cloth.

SAVE THESE INSTRUCTIONS

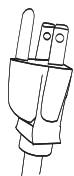
ADDITIONAL SAFETY TIPS

1. The oven must be on a leveled surface.
2. The turntable and turntable roller rest must be in the oven during cooking. Place the cookware gently on the turntable and handle it carefully to avoid possible breakage.
3. Incorrect use of browning dish may cause the turntable to break.
4. Use only the specified bag size when using Direct Access Popcorn.
5. The oven has several built-in safety switches to ensure that the power remains off when the door is open. Do not tamper with these switches.
6. Do not operate the microwave oven empty. Operating the oven with no food or food that is extremely low in moisture can cause fire, charring or sparking.
7. Do not cook bacon directly on the turntable. Excessive local heating of the turntable may cause the turntable to break.
8. Do not heat baby bottles or baby food in the microwave oven. Uneven heating may occur and could cause physical injury.
9. Do not heat narrow-necked containers, such as syrup bottles.
10. Do not attempt to deep-fry in your microwave oven.
11. Do not attempt home canning in this microwave oven, as it is impossible to be sure all contents of the jar have reached boiling temperature.
12. Do not use this microwave oven for commercial purpose. This microwave oven is made for household use only.
13. To prevent delayed eruptive boiling of hot liquids and beverages or scalding yourself, stir liquid before placing the container in the oven and again halfway through cooking time. Let stand in the oven for a short time and stir again before removing the container.
14. Use carefully when cooking food in the microwave oven to avoid burning due to excessive cooking.
15. When the appliance is operated in the combination mode, children should only use the oven under adult supervision due to the temperatures generated.
16. Failure to maintain the oven in a clean condition could lead to deterioration that could adversely affect the life of the appliance and possibly result in a hazardous situation.

GROUNDING INSTALLATION

DANGER: Electric Shock Hazard Touching some of the internal components can cause serious personal injury or death. Do not disassemble this appliance.

WARNING: Electric Shock Hazard Improper use of the grounding can result in electric shock. Do not plug into an outlet until appliance is properly installed and grounded.



Three-Pronged (grounding) Plug

This appliance must be grounded. In the event of an electrical short circuit, grounding reduces the risk of electric shock by providing an escape wire for the electric current. This appliance is equipped with a cord having grounding wire with a grounding plug. The plug must be plugged into an outlet that is properly installed and grounded.

Consult a qualified electrician or serviceman if the grounding instructions are not completely understood or if doubt exists as to whether the appliance is properly grounded.

We do not recommend to use an extension cord.

If it is necessary to use an extension cord, use only a 3-wire extension cord that has a 3 blade grounding plug and a 3-slot receptacle that will accept the plug on the microwave oven. The marked rating of the extension cord shall be equal to or greater than the electrical rating of the appliance.

The longer cord should be arranged so that it will not drape over the countertop or tabletop where it can be pulled on by children or tripped over unintentionally.

Neither Haier nor the dealer can accept any liability for damage to the oven or personal injury resulting from failure to observe the electrical connection procedures.

UTENSILS

DANGER: PERSONAL INJURY HAZARD Tightly-closed utensils could explode. Closed containers should be opened and plastic pouches should be pierced before cooking.

See the instructions on "Materials you can use in microwave oven or to be avoided in microwave oven." There may be certain non-metallic utensils that are not safe to use for microwaving. If in doubt, you can test the utensil in question following the procedure below.

CONTAINER TEST:

1. Fill a microwave-safe container with 1 cup of cold water (250ml) along with the utensil in question.
2. Cook on maximum power for 1 minute.
3. Carefully feel the utensil. If the empty utensil is warm, do not use it for microwave cooking.
4. Do not exceed 1 minute cooking time.

MATERIALS YOU CAN USE IN MICROWAVE OVEN

UTENSILS REMARKS

Aluminum foil	Shielding only. Small smooth pieces can be used to cover thin parts of meat or poultry to prevent overcooking. Arcing can occur if foil is too close to oven walls. The foil should be at least 1 inch (2.5cm) away from oven walls.
Browning dish	Follow manufacturer's instructions. The bottom of browning dish must be at least 3/16 inch (5mm) above the turntable. Incorrect usage may cause the turntable to break.
Dinnerware	Microwave-safe only. Follow manufacturer's instructions. Do not use cracked or chipped dishes.
Glass jars	Always remove lid. Use only to heat food until just warm. Most glass jars are not heat resistant and may break.
Glassware	Heat-resistant oven glassware only. Make sure there is no metallic trim. Do not use cracked or chipped dishes.
Oven cooking bags	Follow manufacturer's instructions. Do not close with metal tie. Make slits to allow steam to escape.
Paper plates and cups	Use for short-term cooking/warming only. Do not leave oven unattended while cooking.
Paper towels	Use to cover food for reheating and absorbing fat. Use with supervision for a short-term cooking only.
Parchment paper	Use as a cover to prevent splattering or a wrap for steaming.
Plastic	Microwave-safe only. Follow the manufacturer's instructions. Should be labeled "Microwave Safe". Some plastic containers soften, as the food inside gets hot. "Boiling bags" and tightly closed plastic bags should be slit, pierced or vented as directed by package.
Plastic wrap	Microwave-safe only. Use to cover food during cooking to retain moisture. Do not allow plastic wrap to touch food.
Thermometers	Microwave-safe only (meat and candy thermometers).
Wax paper	Use as a cover to prevent splattering and retain moisture.

MATERIALS TO BE AVOIDED IN MICROWAVE OVEN

CONTAINER INFORMATION

Aluminum tray	May cause arcing. Transfer food into microwave-safe dish.
Food carton with metal handle	May cause arcing. Transfer food into microwave-safe dish.
Metal or metal trimmed utensils	Metal shields the food from microwave energy. Metal trim may cause arcing.
Metal twist ties	May cause arcing and could cause a fire in the oven.
Paper bags	May cause a fire in the oven.
Plastic foam	Plastic foam may melt or contaminate the liquid inside when exposed to high temperature.
Wood	Wood will dry out when used in the microwave oven and may split or crack.

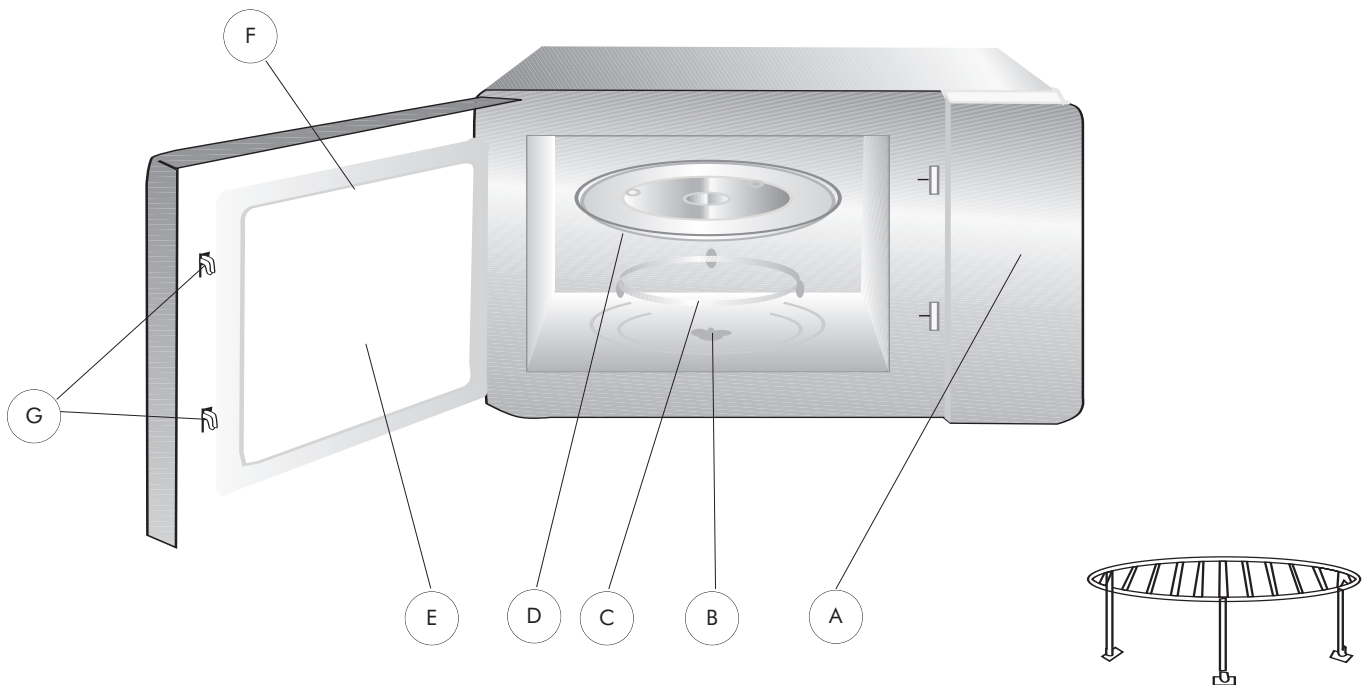
SETTING UP YOUR OVEN

PARTS AND ACCESSORIES

Remove the oven and all materials from the carton and oven cavity.

Your oven comes with the following accessories:

Glass tray 1
 Turntable ring assembly 1
 Instruction Manual 1

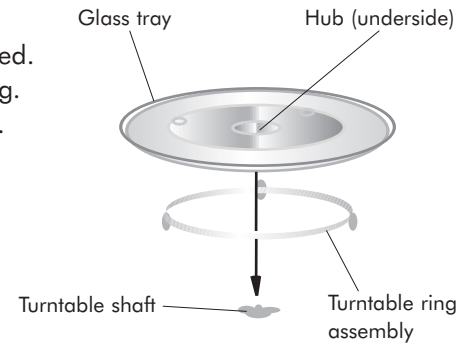


- | | |
|----------------------------|----------------------------|
| A) Control panel | E) Observation window |
| B) Turntable shaft | F) Door assembly |
| C) Turntable ring assembly | G) Safety interlock system |
| D) Glass tray | |

Shut off oven power if the door is opened during operation.

TURNTABLE INSTALLATION

- Never place the glass tray upside down. The glass tray should never be restricted.
- Both glass tray and turntable ring assembly must always be used during cooking.
- All food and containers of food are always placed on the glass tray for cooking.
- If glass tray or turntable ring assembly cracks or breaks, contact your nearest authorized service center.



COUNTERTOP INSTALLATION

Remove all packing material and accessories. Examine the oven for any damage such as dents or broken door. Do not install if oven is damaged.

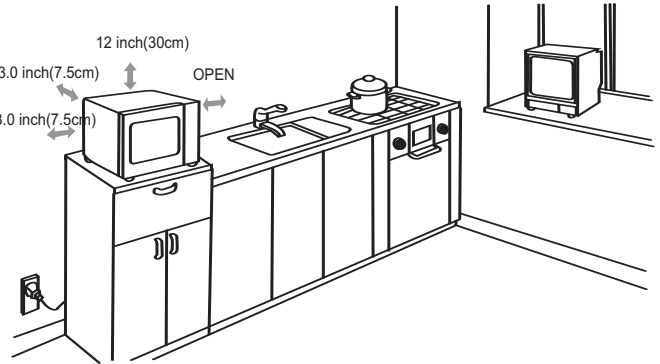
Cabinet: Remove any protective film found on the microwave oven cabinet surface. Do not remove the light brown Mica cover that is attached to the oven cavity to protect the magnetron.

INSTALLATION

- Select a level surface that provide enough open space for the intake and/or outlet vents.

A minimum clearance of 3.0 inches (7.5cm) is required between the oven and any adjacent walls. One side must be open.

- Leave a minimum clearance of 12 inches (30cm) above the oven.
 - Do not remove the legs from the bottom of the oven.
 - Blocking the intake and/or outlet openings can damage the oven.
 - Place the oven as far away from radios and TV as possible. Operation of microwave oven may cause interference to your radio or TV reception.
- Plug your oven into a standard household outlet. Be sure the voltage and the frequency is the same as the voltage and the frequency on the rating label.



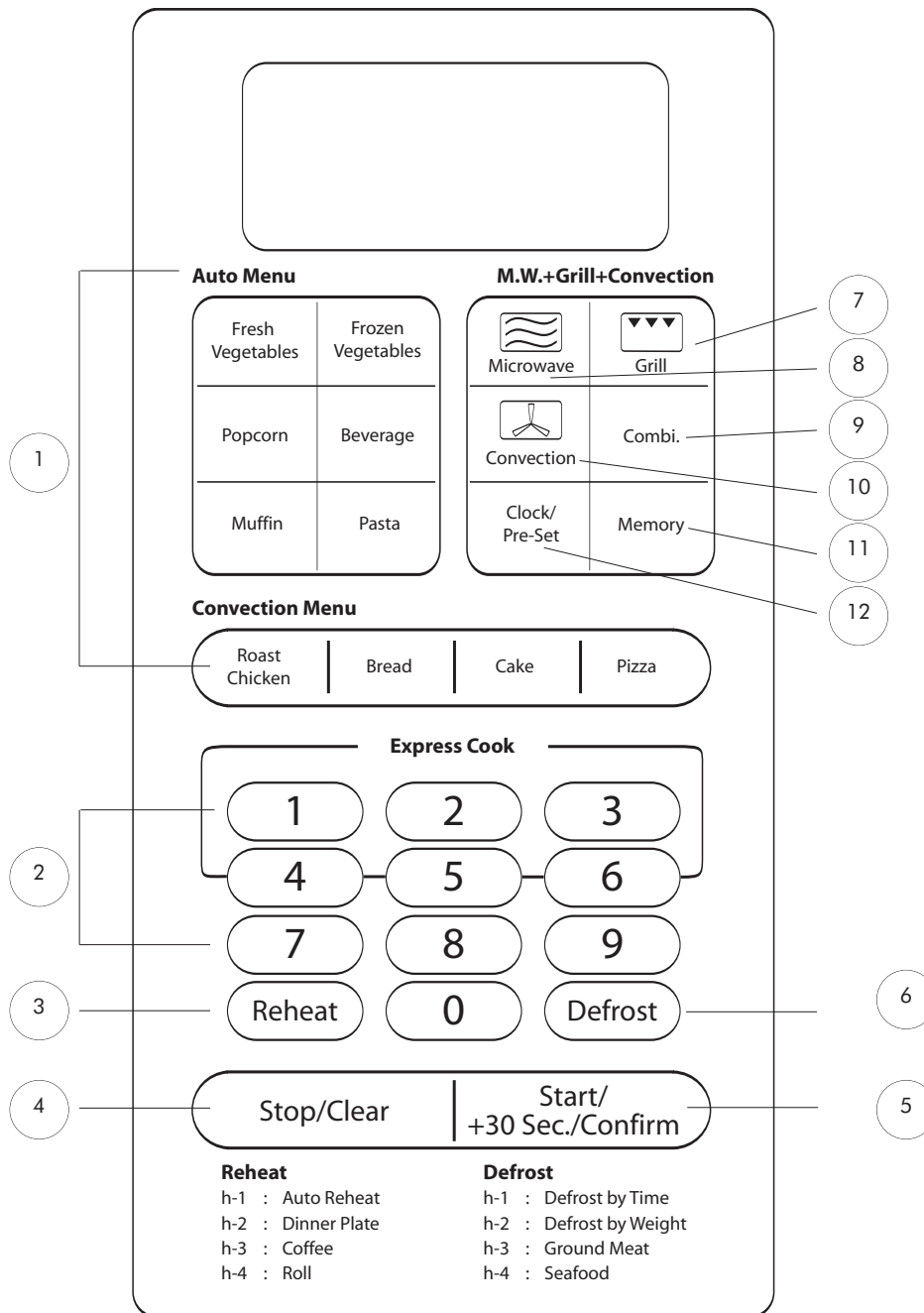
WARNING: Do not install oven over a range cooktop or other heat-producing appliance. If installed near or over a heat source, the oven could be damaged and the warranty would be void.



The accessible surface may be hot during operation.

OPERATION

CONTROL PANEL AND FEATURES



- | | |
|-----------------------------|-----------------------|
| 1. Auto Menu | 7. Grill Function |
| 2. Number keys | 8. Microwave Function |
| 3. Reheat | 9. Combination |
| 4. Stop/ Clear | 10. Convection |
| 5. Start/ +30 Sec./ Confirm | 11. Memory |
| 6. Defrost | 12. Clock/ Pre-set |

1. CLOCK SETTING

When the microwave oven is electrified, the oven will display "0:00", buzzer will ring once.

The input time should be within 0:00--23:59 (24H) or 1:00-12:59 (12H);

Example: To set 12:12.

- 1) Press the "**Clock/Pre-set**" button, "**24H**" will light, and the buzzer will ring once. Press the same key to choose 12 hour system or 24 system.
- 2) Press the number buttons* "**1**", "**2**", "**1**", "**2**" in order.
- 3) Press "**Clock/Pre-set**" to finish clock setting. ":" will flash, and the time will light.

Note: 1) If the clock is not set, "0:00" is displayed and the clock will not count.

- 2) During the process of clock setting, if you press "**Stop/Clear**", the oven will go back to the previous status automatically.

2. PRE-SET FUNCTION

- 1) Set the clock first. (Consult the instruction of clock setting.)
- 2) Set a certain cooking procedure, at most 3 section can be set. The setting method and display is the same as relevant cooking procedure. (Defrosting is beyond pre-set cooking).
- 3) Press "**Clock/Pre-set**", "0:00" is displayed.
- 4) Press the number keys and enter the correct time. For example, to start cooking at 10:12 now, please press "**1,0,1,2**" in turn.
- 5) Press "**Start/+30 SEC./Confirm**" to confirm; the current time is displayed. Press the number keys and enter the correct time. For example, to start cooking at 10:12 now, please press "**1,0,1,2**" in turn.
- 6) When preset time arrives, cooking starts after the buzzer sounds twice. If the oven door is not well closed, the procedure will wait.

3. MICROWAVE COOKING


Select different microwave power level and set cooking time as you wish. There are 10 power levels available for choosing.

Level	10	9	8	7	6	5	4	3	2	1
Power	100%	90%	80%	70%	60%	50%	40%	30%	20%	10%
Display	PL10	PL9	PL8	PL7	PL6	PL5	PL4	PL3	PL2	PL1

Keep on pressing "**Mircowave**" to choose the power.

- 1) Press "**Mircowave**" once, the LED will display "**P100**", "**Micro.**" indicator will light.
- 2) Press "**Mircowave**" twice to choose 80% power, the LED will display "**P80**".
- 3) Press the number buttons of "**1**", "**0**", "**0**", "**0**" in order, the LED will display "**10:00**"
Example: If you want to use 80% microwave power to cook for 10 minutes, you can operate the oven as the following steps.
- 4) Press "**Start/+30 SEC./Confirm**" to start cooking, ":" will light and the "**Micro.**" indicator will flash.

4. GRILLING COOKING

- 1) Press the "**Grill**" button once to choose the grill function, the LED will display "**G-1**" and "**Grill**" indicator will light. 
- 2) Set the cooking time, the maximum cooking time is 99 minutes and 99 seconds. Example: Set 12 minutes 50 seconds, press "**1**", "**2**", "**5**", "**0**" in order.
- 3) Press "**Start/+30 SEC./Confirm**" to start cooking. The cooking time counts down, ":" will light and "**Grill**" indicator will flash.

Note: When half of the grill time passes, the buzzer will sound twice to remind you to turn the food over. If the door is not opened, the unit will continue working.

5. CONVECTION COOKING

There are ten temperatures of convection: 266F, 285F, 300F, 320F, 340F, 355F, 375F, 390F, 410F, 430F.

A. With Preheating Convection

- 1) Press the **"Convection"** once, the LED will display **"266"**. **"F"** and **"Conv."** indicator will light. (Press the **"Convection"** several times to select the temperature you need.)
- 2) Press the **"Start/+30 SEC./Confirm"** key to start preheating. The temperature figure will flash when reach to the temperature in advance and buzzer will ring twice to remind you to put the food into the oven.
- 3) Press the number buttons of **"4", "0", "0", "0"** in order, the LED will display **"40:00"**. The maximum cooking time is 99 minutes and 99 seconds.
- 4) Press the **"Start/+30 SEC./Confirm"** key to start cooking. **"Conv."** indicator will flash, **":"** will light.

B. Convection Cooking (without preheating function)

- 1) Press the **"Convection"** key once, the LED will display **"266"**. At the same time, **"F"**, **"Conv."** indicator will light. (Press the **"Convection"** key several times to select the temperature.)
- 2) Press the number buttons of **"4", "0", "0", "0"** in order, the LED will display **"40:00"**. The maximum cooking time is 99 minutes and 99 seconds.
- 3) Press the **"Start/+30 SEC./Confirm"** key to start cooking. **"Conv."** indicator will flash, **":"** will light.

6. COMBINATION COOKING

- 1) Press the **"Combi."** key once, the LED will display **"C-1"**.
- 2) Press the number buttons of **"4", "0", "0", "0"** in order, the LED will display **"40:00"**.
- 3) Press the **"Start/+30 SEC./Confirm"** key to start cooking.
Example: If you want to use combination to cook (C-1) for 40 minutes, you can operate the oven as per the following steps.
 - 1). Press **"Combi."** once, **"C-1"** is displayed. **"Micr."** and **"Conv."** will light. Keep pressing the same key to choose the combination mode: C-1, C-2 and C-3.
 - 2) Press number keys to set the cooking time, the maximum cooking time is 99 minutes 99 seconds.
 - 3) Press **"Start/+30 SEC./Confirm"** to start cooking.

Note: "Combi." Pad presses instructions

Presses Instructions	LED Display	Microwave	Grill	Convection
1	C-1	●		●
2	C-2	●	●	
3	C-3		●	●

7. REHEAT

- 1) Press **"Reheat"** pad , the **"h-1"** will display in LED and flash. **"AUTO"** indicator will light. (Press the **"Reheat"** pad several times to select the the cooking program you wanted. h-1, h-2, h-3, h-4 will be displayed).
- 2) Press **"Start/+30 Sec/Confirm"** key to confirm,the **"h-1"** will display.
- 3) Press **"Reheat"** pad , the weight of the menu will be displayed. **"Micro."** and **"AUTO"** indicators will light.(Press the "Reheat" pad several times to select the the weight of cooking food.)
- 4) Press **"Start/+30 Sec/Confirm"** key to start cooking. **"Micr."** and **"AUTO"** indicators will flash and **"Oz"** indicator will go out.

Reheat Chart

Menu	Weight(g)	Display
h-1 (Auto Reheat)	5.30 Oz	5.30 Oz
	8.80Oz	8.80Oz
	12.30Oz	12.30Oz
	15.90Oz	15.90Oz
	21.00Oz	21.00Oz
h-1 (Auto Reheat)	8.80Oz	8.80Oz
	12.30oz	12.30oz
	15.90Oz	15.90Oz
h-1 (Auto Reheat)	1 (About 8.50Oz)	1
	2 (About 17.00Oz)	2
	3 (About 25.50Oz)	3
h-1 (Auto Reheat)	1 (About 2.50Oz)	1
	2 (About 5.00Oz)	2
	3 (About 7.50 Oz)	3

8. DEFROST BY TIME

- 1) Press **"Defrost"** once, the LED will display **"d-1"**. **"Micr."** , **"**"** indicators will light.
- 2) Input the figure of the time of cooking.The maximum cooking time is 99 minutes and 99 seconds.
- 3) Press **"Start/+30 SEC./Confirm"** key to start defrosting. **"Micro."** and **"**"** indicators will flash.

9. DEFROST BY WEIGHT

- 1) Press **"Defrost"** pad twice, the LED will display **"d-2"**. Keep pressing the same key to choose **"d-2"**, **"d-3"**, **"d-4"**.
- 2) Input the figure to adjust the weight of food. **"Micr."**, **"**"** and **"Oz"** indicators will light. (The input figure of the weight should be within 3.50 Oz--70 Oz)
- 3) Press **"Start/+30 SEC./Confirm"** key to start defrosting. **"Micr."** and **"**"** indicators will flash and **"Oz"** indicator will go out.

10. MEMORY FUNCTION

- 1) Press **"Memory"** to choose memory 1-3 procedure. The LED will display 1,2,3.
- 2) If the procedure has been set, press **"Start/+30 SEC./Confirm"** to use it. If not, continue to set the procedure. Only one or two stages can be set.
- 3) After finishing the setting, press **"Memory"** to save the procedure and turn back to the waiting state. If press **"Start/+30 SEC./Confirm"**, it will save and operate the setting.

11. MULTI-STAGE COOKING

Three stages of cooking can be maximum set. If one of the stages is defrosting, it should be put in the first stage. The buzzer will ring once after each stage and the next stage will begin.

Note: Auto menu cannot be set as one of the multi-stage.

Example: Cooking with 100% microwave power for 5 minutes+70% microwave power for 10 minutes. The steps are as the following:

- 1) Press "**Mircowave**" once, "**P100**" is displayed;
- 2) Press number keys "**5**", "**0**", "**0**" to adjust the cooking time you need;
- 3) Press "Microwave" for times to choose 70% microwave power, "**P70**" is displayed;
- 4) Press number keys "**1**", "**0**", "**0**", "**0**" to adjust the cooking time you need.
- 5) Press "**Start/+30 SEC./Confirm**" to start cooking.

12. SPEEDY COOKING

- 1) In waiting state, instant cooking at 100% power level can be started by select a cooking time from 1 to 6 minutes by pressing numeral pads 1 to 6. Press "**Start/+30 SEC./Confirm**" to increase the cooking time; the maximum cooking time is 99 minutes and 99 seconds.
- 2) In waiting state, instant cooking at 100% power level with 30 seconds' cooking time can be started by pressing "**Start/ +30 SEC./ Confirm**". Each press on the same button will increase cooking time by 30 seconds. the maximum cooking time is 99 minutes and 99 seconds.

Note: Each press on "**Start/+30 SEC./Confirm**" can increase the cooking by 30 seconds for the microwave and Auto menu cooking. However, the operation will not work under "**Auto Defrost**", "**Muti-stage**" and "**Auto Menu**" operation.

13. AUTO MENU COOKING

- 1) In waiting states,press the key "**Fresh Vegetable**", "**Frozen Vegetable**", "**Popcorn**", "**Beverage**", "**Muffin**", "**Pasta**", "**Roast Chicken**", "**Bread**", "**Cake**" and "**Pizza**" to choose the weight of the menu you need.
- 2) Press "**Start/ +30 SEC./ Confirm**" to start cooking.

Note: Refers to the next page for auto menu chart.

14. LOCK FUNCTION FOR CHILDREN

Lock: In waiting mode, press "**Stop/ Clear**" for 3 seconds, there will be a long "**beep**" denoting the entrance to the child-lock mode; meanwhile, LED will display "**0:00**" or current time.

Unlocking : In lock mode, press "**Stop/ Clear**" for 3 seconds, there will be a long "**beep**" noting that the microwave oven is unlocked.

15. MAGNETRON CONTROL PIPE PROTECTION FUNCTION

When the unit operates with high microwave power for 30 minutes, it will adjust to mid-high microwave power automatically to protect the magnetron control pipe. It works under multi-section or other cooking states.

Auto Menu Chart

Menu	Weight (Oz)	Display
Fresh Vegetable	5.30	5.30
	12.30	12.30
	17.50	17.50
Frozen Vegetable	5.30	5.30
	12.30	12.30
	17.50	17.50
Popcorn	1.75	1.75
	3.00	3.00
	3.50	3.50
Beverage	1(About 8.50 Oz)	1
	2(About 17.0 Oz)	2
	3(About 25.5 Oz)	3
Muffin	1(About 2.50 Oz)	1
	2(About 5.00 Oz)	2
	3 (About 7.50 Oz)	3
Pasta	1.75 (With water 19.5 Oz)	1.75
	3.50(With water 28.0 Oz)	3.50
	5.30(With water 42.00 Oz)	5.30
Roast Chicken	17.50	17.50
	26.80	26.80
	35.00	35.00
	42.00	42.00
Bread	1.75	1.75
	3.50	3.50
	5.30	5.30
Cake	16.50	16.50
Pizza	7.00	7.00
	10.50	10.50
	14.00	14.00

16. STATE INQUIRY

- 1) During cooking, press "**Convection**", "**Microwave**", "**Combi**" to check the responding power. The power will be displayed for 2-3 seconds;
- 2) During cooking, press "**Clock/ Pre-set**" to check the current time, time will be displayed for 2-3 seconds;
- 3) Under preset states, press "**Clock/ Pre-set**" to check the preset time. The pre-set time will be displayed for 2-3 seconds.

Pay Special Attention:

When cooking with "Microwave", "Convection", "Grill", "Combi.", the maximum cooking time is 99 minutes and 99 seconds.

TROUBLE SHOOTING

Check your problem by using the chart below and try the solutions for each problem. If the microwave oven still does not work properly, contact the nearest authorized service center.

TROUBLE	POSSIBLE CAUSE	POSSIBLE REMEDY
Oven will not start	<ul style="list-style-type: none"> a. Electrical cord for oven is not plugged in. b. Door is open. c. Wrong operation is set. 	<ul style="list-style-type: none"> a. Plug into the outlet. b. Close the door and try again. c. Check instructions.
Arcing or sparking	<ul style="list-style-type: none"> a. Materials to be avoided in microwave oven were used. b. The oven is operated when empty. c. Spilled food remains in the cavity. 	<ul style="list-style-type: none"> a. Use microwave-safe cookware only. b. Do not operate with oven empty. c. Clean cavity with wet towel.
Unevenly cooked foods	<ul style="list-style-type: none"> a. Materials to be avoided in microwave oven were used. b. Food is not defrosted completely. c. Cooking time, power level is not suitable. d. Food is not turned or stirred. 	<ul style="list-style-type: none"> a. Use microwave-safe cookware only. b. Completely defrost food. c. Use correct cooking time, power level. d. Turn or stir food.
Overcooked foods	Cooking time, power level is not suitable. Use correct cooking time, power level.	Use correct cooking time and power level.
Undercooked foods	<ul style="list-style-type: none"> a. Materials to be avoided in microwave oven were used. b. Food is not defrosted completely. c. Oven ventilation ports are restricted. d. Cooking time, power level is not suitable. 	<ul style="list-style-type: none"> a. Use microwave-safe cookware only. b. Completely defrost food. c. Check to see that oven ventilation ports are not restricted. d. Use correct cooking time and power level.
Improper defrosting	<ul style="list-style-type: none"> a. Materials to be avoided in microwave oven were used. b. Cooking time, power level is not suitable. c. Food is not turned or stirred. 	<ul style="list-style-type: none"> a. Use microwave-safe cookware only. b. Use correct cooking time and power level. c. Turn or stir food.

LIMITED WARRANTY

What is covered and for how long?

This warranty covers the original retail purchaser, all defects in workmanship or materials for a period of:

Carry-In Service

12 Months (labor)

24 Months (parts)

10 Years Magnetron Tube (part only)

What is covered.

1. The mechanical and electrical parts, which serve as a functional purpose of this appliance for a period of 24 months. This includes all parts except glass, finish, and trim.
2. If the magnetron tube fails due to poor workmanship or material, the part will be replaced.

What will be done and how to obtain service?

1. We will repair or replace, at our discretion any mechanical or electrical part which proves to be defective in normal usage during the warranty period so specified.
2. There will be no charge to the purchaser for labor on any covered items during the initial 12 month period, and no charge for parts on any covered items during the initial 24 month period. The magnetron tube is covered for a period of ten years.
3. To obtain service, bring the unit to your nearest authorized Service depot. For name of the nearest authorized service center please call: 1-877-337-3639.

THIS WARRANTY COVERS APPLIANCES WITHIN THE CONTINENTAL UNITED STATES, CANADA AND PUERTO RICO. IT DOES NOT COVER THE FOLLOWING:

Damages from improper installation.

Damages in shipping.

Damage from misuse, abuse, accident, alteration, lack of proper care and maintenance, incorrect current or voltage or acts of God.

Damage from other than normal household use.

Damage from service by other than an authorized dealer or service center.

Decorative trims, glass or light bulbs.

Transportation and shipping costs.

THIS LIMITED WARRANTY IS GIVEN IN LIEU OF ALL OTHER WARRANTIES, EXPRESSED OR, INCLUDING THE WARRANTIES OF MERCHANTABILITY AND FITNESS FOR A PARTICULAR PURPOSE.

The remedy provided in this warranty is exclusive and is granted in lieu of all other remedies.

This warranty does not cover incidental or consequential damages, so the above limitations may not apply to you. Some States do not allow limitations on how long an implied warranty lasts, so the above limitations may not apply to you.

This warranty gives you specific legal rights, and you may have other rights, which vary, from state to state.

Haier America
New York, NY 10018

IMPORTANT

Do Not Return This Product To The Store

**If you have a problem with this product, please contact the "Haier Customer Satisfaction Center" at
1-877-337-3639.**

DATED PROOF OF PURCHASE REQUIRED FOR WARRANTY SERVICE

IMPORTANTE

No regrese este producto a la tienda

**Si tiene algún problema con este producto, por favor contacte el "Centro de Servicio al Consumidor de Haier" al 1-877-337-3639 (Válido solo en
E.U.A).**

NECESITA UNA PRUEBA DE COMPRA FECHADA PARA EL SERVICIO DE LA GARANTIA

IMPORTANTE

No regrese este producto a la tienda

**Si tiene algún problema con este producto, por favor contacte el "Centro de Servicio al Consumidor de Haier" al 1-877-337-3639 (Válido solo en
E.U.A).**

NECESITA UNA PRUEBA DE COMPRA FECHADA PARA EL SERVICIO DE LA GARANTIA

Haier

**Haier America
New York, NY 10018**

Free Manuals Download Website

<http://myh66.com>

<http://usermanuals.us>

<http://www.somanuals.com>

<http://www.4manuals.cc>

<http://www.manual-lib.com>

<http://www.404manual.com>

<http://www.luxmanual.com>

<http://aubethermostatmanual.com>

Golf course search by state

<http://golfingnear.com>

Email search by domain

<http://emailbydomain.com>

Auto manuals search

<http://auto.somanuals.com>

TV manuals search

<http://tv.somanuals.com>