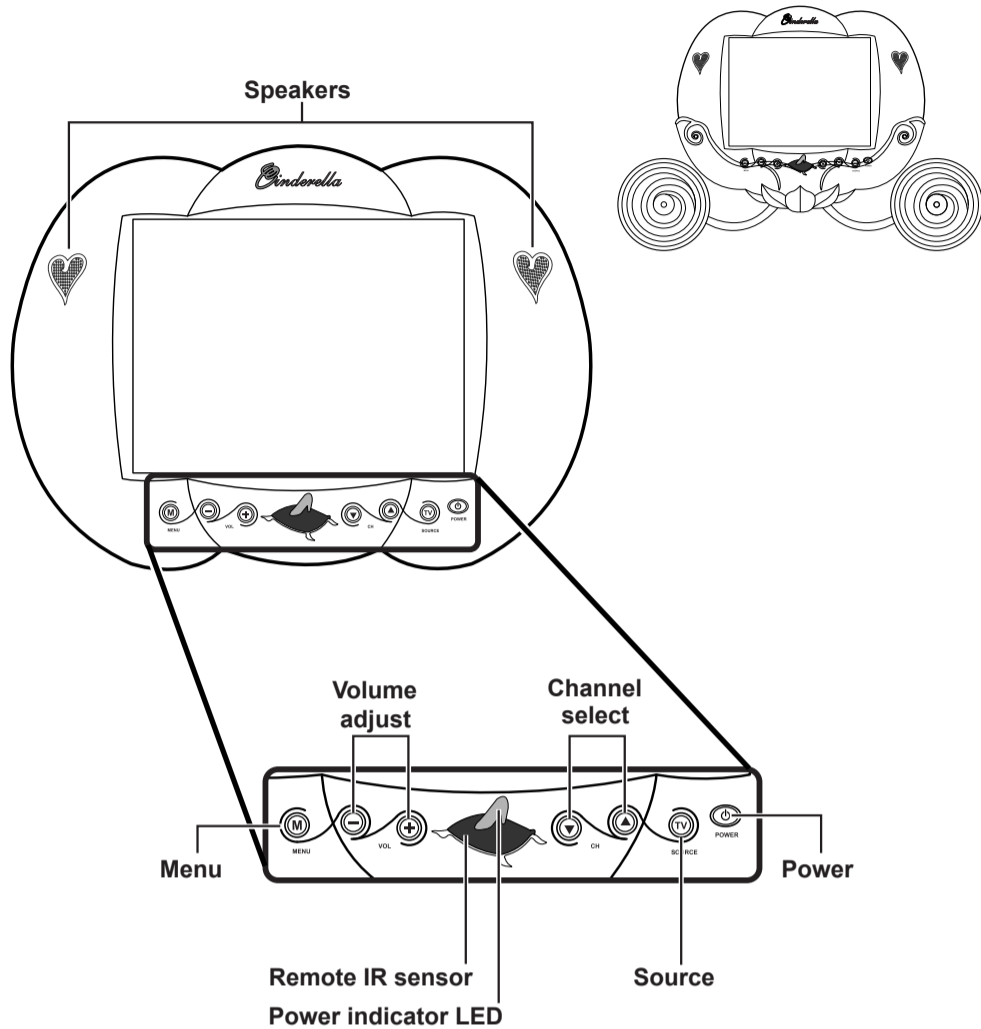
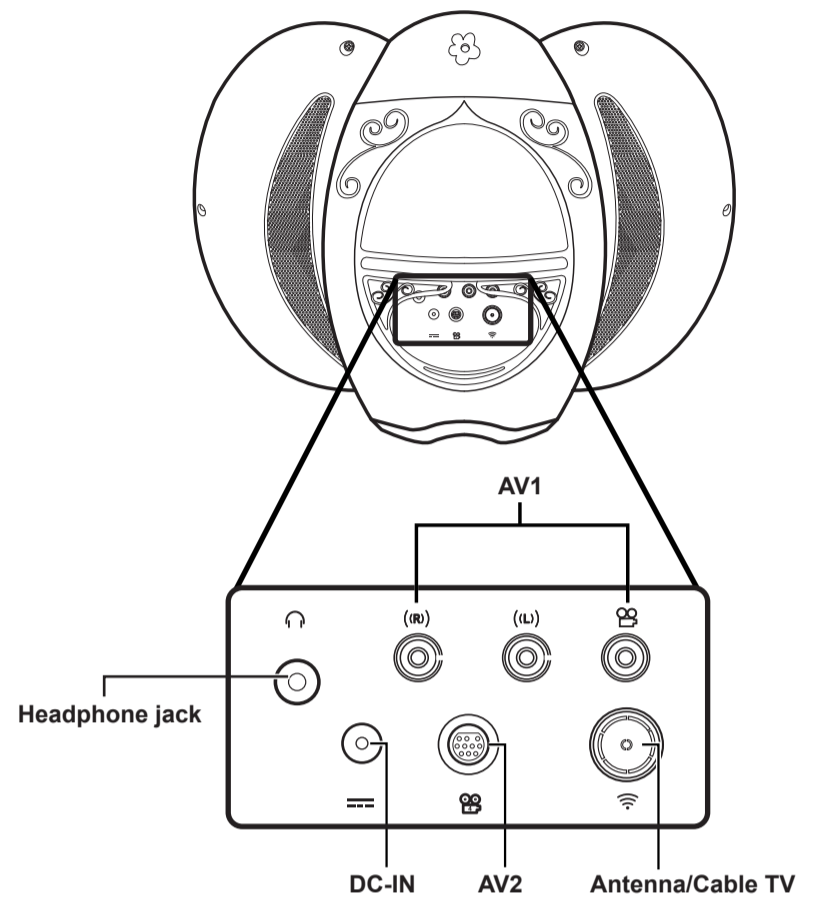


This guide is designed as a reference to help you start using your LCD TV quickly. Please refer to the User's Manual for more detailed installation and safety instructions.

Front View

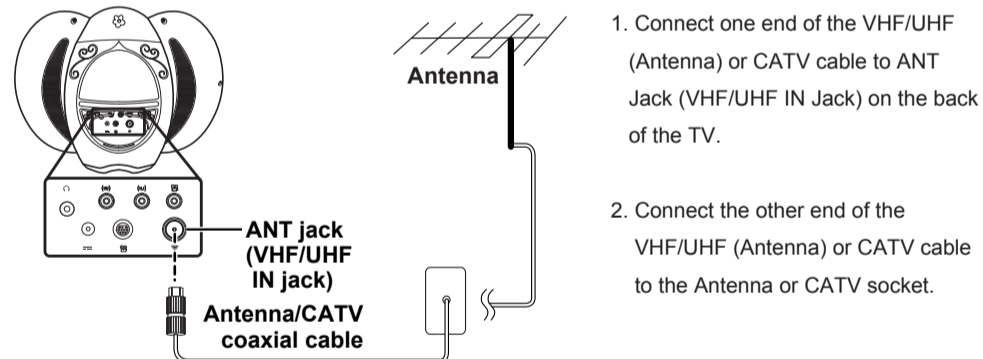


Rear View

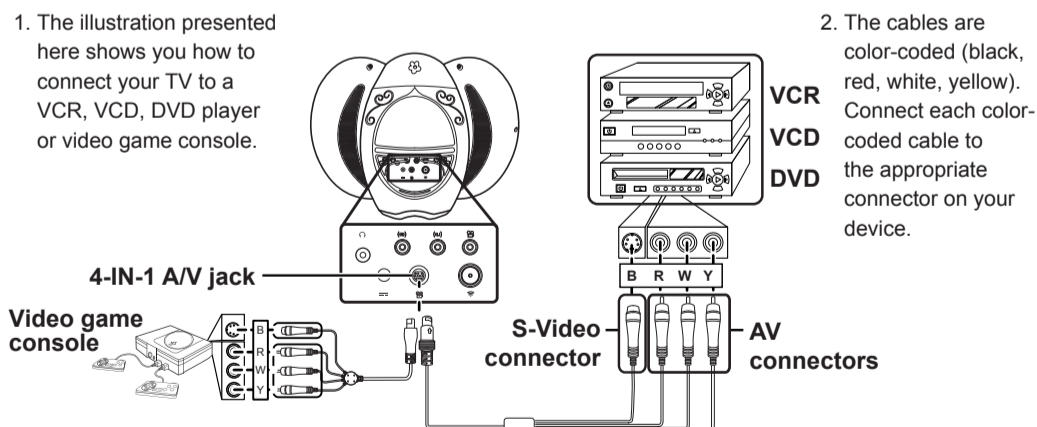


Making Connections

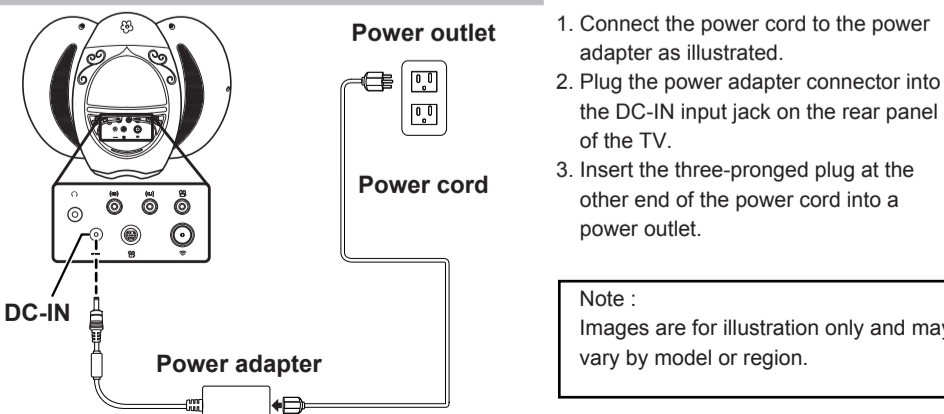
Connecting to Antenna/Cable TV



Connecting to a VCR, VCD, DVD Player, or Video Game Console



Connecting the Power Adapter

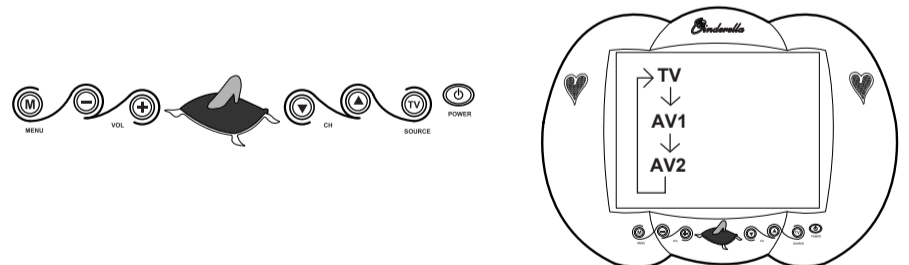


A/V and Channel Setup

Selecting A/V Sources

1. Make sure your TV is turned on and a device such as a DVD player is connected.
2. Press the **SOURCE** button on the control panel to select different source signals. TV channel number, AV1, AV2 or AV2s appear on the screen.

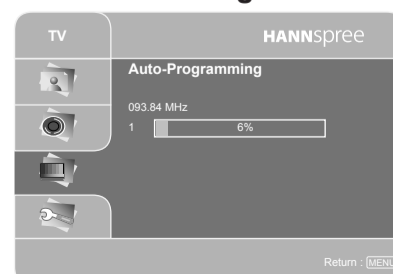
Note : AV2s only appears on the screen when S-Video is connected.



Auto Channel Setup

- Please follow the instructions by using the control panel.
1. Press the **MENU** button to enter the OSD menu.
 2. Use the **CH** button to select "TV".
 3. Press the **VOL +** button to enter the TV setting.
 4. Press the **CH** button until the "Auto Program" feature is selected.
 5. Press the **VOL +** button to begin "Auto Program".
 6. Your television will begin automatically memorizing the available channels.

Auto Program



Free Manuals Download Website

<http://myh66.com>

<http://usermanuals.us>

<http://www.somanuals.com>

<http://www.4manuals.cc>

<http://www.manual-lib.com>

<http://www.404manual.com>

<http://www.luxmanual.com>

<http://aubethermostatmanual.com>

Golf course search by state

<http://golfingnear.com>

Email search by domain

<http://emailbydomain.com>

Auto manuals search

<http://auto.somanuals.com>

TV manuals search

<http://tv.somanuals.com>