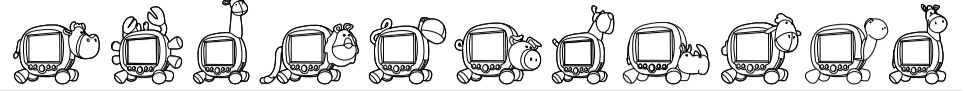


## K206-10U1 9.6" Liquid Crystal Display TV

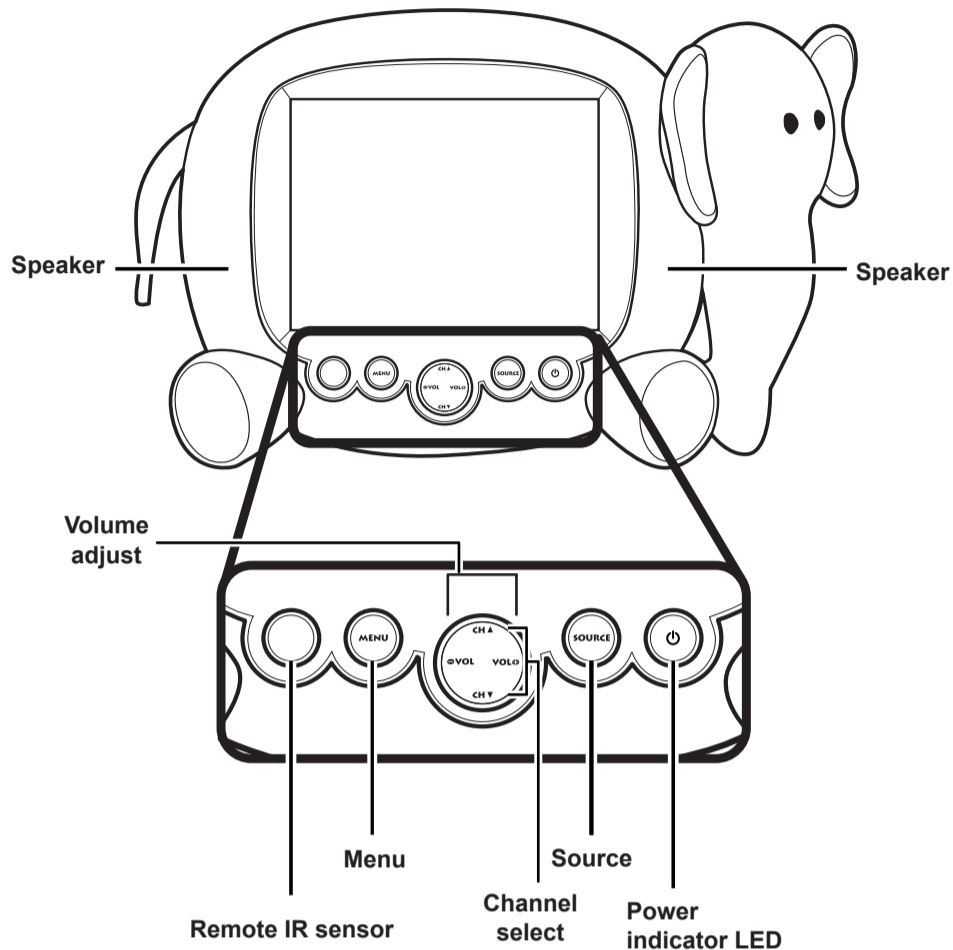
This guide is designed as a reference to help you start using your LCD TV quickly. Please refer to the User's Manual for more detailed installation and safety instructions.

## Other Models

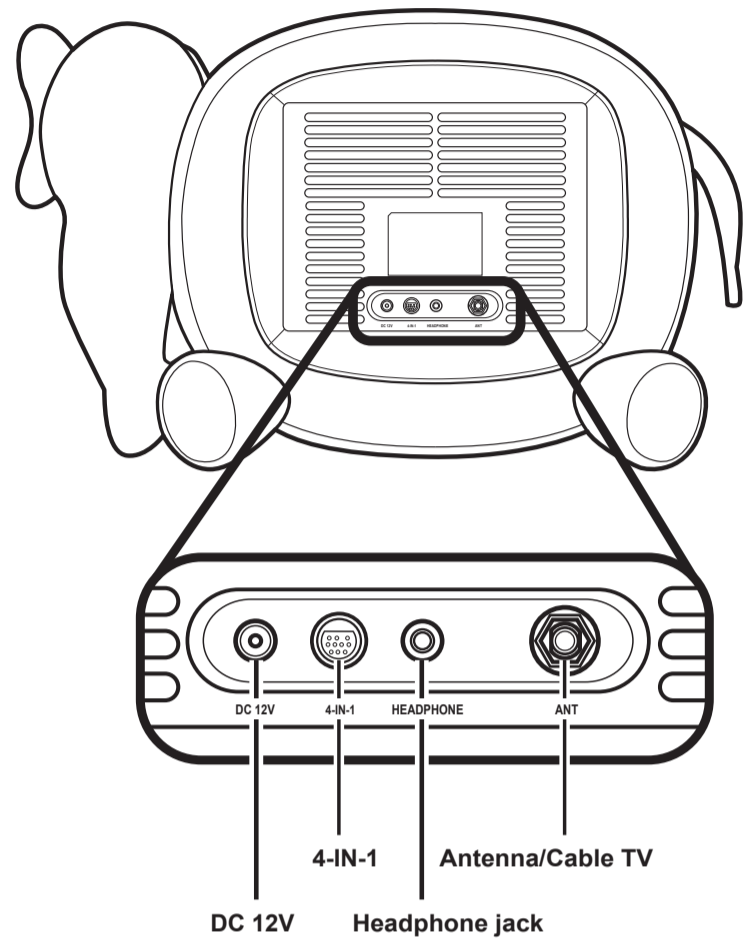
The information in this Quick Start Guide applies to all models shown below.



### Front View



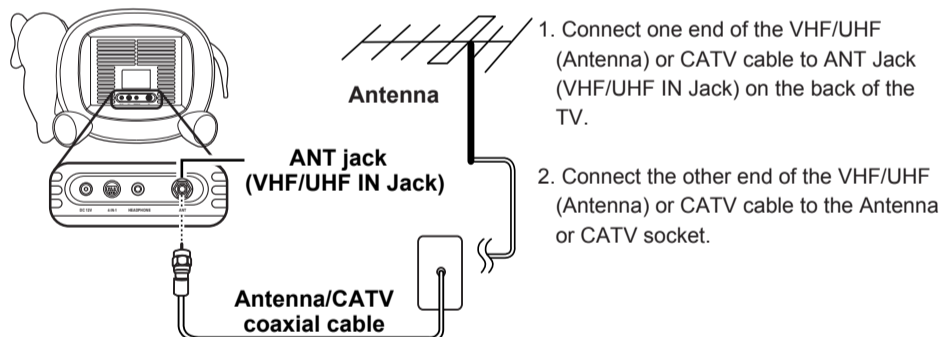
### Rear View



**Note:** Do not unzip the plush cover. The plush cover may only be removed by the qualified personnel to service the product.

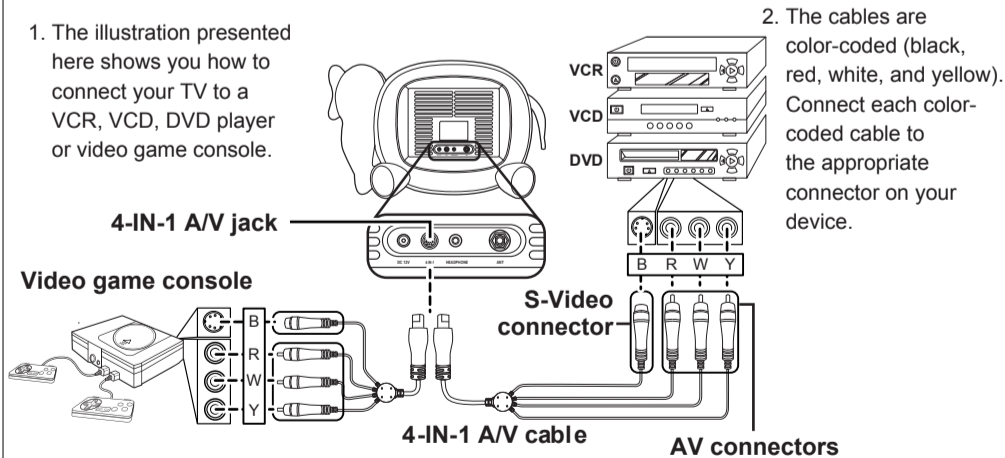
## Making Connections

### Connecting to Antenna/Cable TV



1. Connect one end of the VHF/UHF (Antenna) or CATV cable to ANT Jack (VHF/UHF IN Jack) on the back of the TV.
2. Connect the other end of the VHF/UHF (Antenna) or CATV cable to the Antenna or CATV socket.

### Connecting to a VCR, VCD, DVD Player, or Video Game Console



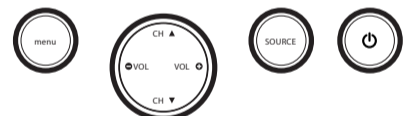
1. The illustration presented here shows you how to connect your TV to a VCR, VCD, DVD player or video game console.

2. The cables are color-coded (black, red, white, and yellow). Connect each color-coded cable to the appropriate connector on your device.

## A/V and Channel Setup

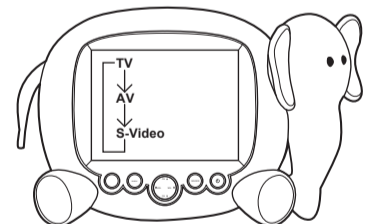
### Watching Broadcast or Cable TV

1. After you have made the appropriate power and source connections, press the power button to turn on your television.
2. Press the **SOURCE** button to select TV.
3. Press the **MENU** button on the control panel to enter the OSD menu.
4. Press the **CH ▲** button to select the TV setting.
5. Press the **MENU** button.
6. Press the **CH ▲** or **CH ▼** button to select TV/CATV.



### Selecting A/V Sources

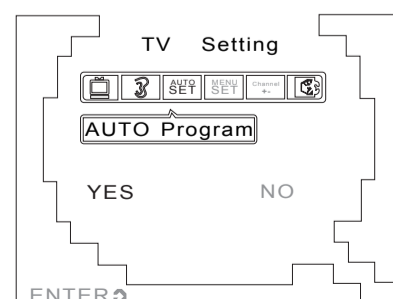
1. Make sure your TV is turned on and a device such as a DVD player is connected.
2. Press the **SOURCE** button on the control panel to select different source signals. TV/CATV channel number, AV or S-Video appear on the screen.



### Auto Channel Setup

1. Press the **MENU** button to enter the OSD menu.
2. Use the channel buttons on the control panel to select the "TV Setting" menu.
3. Press menu again until the "Auto Program" feature is selected.
4. Press **CH ▼** to select yes.
5. Press the **MENU** button.
6. Your television will begin automatically memorizing the available channels.

### Auto Program



## Free Manuals Download Website

<http://myh66.com>

<http://usermanuals.us>

<http://www.somanuals.com>

<http://www.4manuals.cc>

<http://www.manual-lib.com>

<http://www.404manual.com>

<http://www.luxmanual.com>

<http://aubethermostatmanual.com>

Golf course search by state

<http://golfingnear.com>

Email search by domain

<http://emailbydomain.com>

Auto manuals search

<http://auto.somanuals.com>

TV manuals search

<http://tv.somanuals.com>