

HANNSPREE

S_ST55F_UM_US_V01_H



55"

Liquid Crystal Display Television

Téléviseur à Écran à Cristaux Liquides

TV de Pantalla de Cristal Líquido

User's Manual

HANNSPREE, INC.
www.hannspree.com

Table of Contents

| | |
|---|----|
| Regulatory Information | 3 |
| Description of Warning Symbols | 4 |
| Safety Notices | 5 |
| Important Safety Instructions | 6 |
| Preface | 9 |
| Warranty and Service | 9 |
| 1. Getting Started | 12 |
| 1.1 Package Contents | 12 |
| 1.2 Introducing the TV | 13 |
| 1.2.1 Features | 13 |
| 1.3 Control Panel | 14 |
| 1.4 Input and Output Jacks | 15 |
| 1.5 Remote Control | 17 |
| 1.6 Inserting the Remote Control Batteries | 20 |
| 2. Setting up your TV | 22 |
| 2.1 Basic Connections | 22 |
| 2.1.1 Power Connection | 22 |
| 2.1.2 Connecting an Antenna or Cable TV | 22 |
| 2.2 Connecting External Devices | 23 |
| 2.2.1 Connecting External Earphones | 23 |
| 2.2.2 Connecting to AV Devices | 24 |
| 2.2.3 Connecting a VCR/ Set-top box/ DVD Player Using Video Inputs | 25 |
| 2.2.4 Connecting a PC using VGA | 26 |
| 2.2.5 Connecting a PC using DVI | 26 |
| 2.2.6 Connecting HDMI | 27 |
| 2.2.7 Connecting USB | 27 |
| 2.3 Using the TV | 28 |
| 2.3.1 Turning the TV On and Off | 28 |
| 2.3.2 Switching Source Signals | 28 |
| 2.3.3 Performing an Automatic Channel Search | 28 |
| 2.3.4 Selecting Channels | 28 |
| 2.3.5 Adjusting the Volume | 29 |
| 2.3.6 Editing Channel Table or Favorite Channel | 29 |

Table of Contents

| | |
|---|----|
| 3. Adjusting On-Screen Display (OSD) Settings | 30 |
| 3.1 OSD Setting Menus | 31 |
| 3.2 Adjusting Picture Settings | 31 |
| 3.3 Adjusting Audio Settings | 32 |
| 3.4 Adjusting Channel Settings | 33 |
| 3.5 Adjusting V-CHIP Settings | 34 |
| 3.6 Adjusting Setup Settings | 35 |
| 4. Troubleshooting | 36 |
| 5. Specifications | 37 |
| 6. Appendix: Remote Control Guide | 39 |
| 6.1 Introduction | 39 |
| 6.1.2 Setting Program Codes | 39 |
| 6.1.3 Searching Codes | 40 |
| 6.1.4 Setting Volume Lock | 41 |
| 6.1.5 Setting Channel Lock | 41 |
| 6.1.6 Factory Setting Mode | 42 |
| 6.1.7 Description | 44 |
| 6.2 Other Descriptions | 44 |
| 6.2.1 Double Clicking | 44 |
| 6.2.2 Buttons Information | 44 |
| 6.2.3 Power-out Protection Capability | 44 |
| 6.3 Component Program Codes | 45 |
| 7. Setting the TV on the Wall | 52 |

FCC Compliance Statement¹

This device complies with part 15 of the FCC Rules. Operation is subject to the following two conditions: (1) This device may not cause harmful interference, and (2) this device must accept any interference received, including interference that may cause undesired operation.

Additional Information

This equipment has been tested and found to comply with the limits for a Class B digital device, pursuant to part 15 of the FCC Rules. These limits are designed to provide reasonable protection against harmful interference in a residential installation. This equipment generates, uses and can radiate radio frequency energy and, if not installed and used in accordance with the instructions, may cause harmful interference to radio communications. However, there is no guarantee that interference will not occur in a particular installation. If this equipment does cause harmful interference to radio or television reception, which can be determined by turning the equipment off and on, the user is encouraged to try to correct the interference by one or more of the following measures:

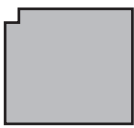
- Reorient or relocate the receiving antenna
- Increase the separation between the equipment and receiver
- Connect the equipment into an outlet on a circuit different from that to which the receiver is connected
- Consult the dealer or an experienced technician for help

Warning: The Federal Communications Commission warns that changes or modifications of the equipment not expressly approved by the party responsible for compliance could void your authority to operate the equipment.

DOC Compliance Notice²

This digital apparatus does not exceed the Class B limits for radio noise emissions from digital apparatus as set out in the Radio Interference Regulations of the Canadian Department of Communications. This device complies with Canada ICES-003 Class B.


-
1. applies only to products purchased in the United States of America
 2. applies only to products purchased in Canada



Description of Warning Symbols




WARNING



This symbol is used to alert users to pay attention to important descriptions regarding usage, maintenance (repair), and additional important information related to this TV.

CAUTION



This symbol is used to alert users to the risk of electric shocks due to dangerous and uninsulated components.

Safety Notices



Installation Safety Notes

Location

Avoid allowing the TV to get prolonged exposure to sunlight or other strong sources of heat. Leave sufficient distance between the TV and the wall to provide enough space for the emission of heat.



WARNING

To reduce the risk of fire or electric shock, do not expose this apparatus to rain or moisture.

Apparatus shall not be exposed to dripping or splashing and no objects filled with liquids, such as vases, shall be placed on the apparatus.




CAUTION

These servicing instructions are for use by qualified service personnel only. To reduce the risk of electric shock, do not perform any servicing other than that contained in the operating instructions unless you are qualified to do so.

Notes:

- **The LCD TV is for entertainment use only and visual display tasks are excluded.**
- **This device uses a VGA connector to connect to a PC. To reduce the influence of main frequency on the source signal, use a VGA monitor cable with ferrite shield.**

Important Safety Instructions

| | |
|---|---|
| | <ol style="list-style-type: none"> 1. Read these instructions. 2. Keep these instructions. 3. Heed all warnings. 4. Follow all instructions. |
| | 5. Do not use this apparatus near water. |
| | 6. Clean only with dry cloth. |
| | 7. Do not block any ventilation openings. Install in accordance with manufacturer's instructions. |
| | 8. Do not install near any heat sources such as radiators, heat registers, stoves, or other apparatus (including amplifiers) that produce heat. |
| | <p>9. Do not defeat the safety purpose of the polarized or grounding-type plug. A polarized plug has two blades with one wider than the other. A grounding-type plug has two blades and a third grounding prong. The wide blade or the third prong are provided for your safety. If the provided plug does not fit into your outlet, consult an electrician for replacement of the obsolete outlet.</p> <p>NOTE: Applies to US only.</p> |
| | 10. Protect the power cord from being walked on or pinched, particularly at plugs, convenience receptacles, and the point where they exit from the apparatus. |
| | 11. Only use attachments/accessories specified by the manufacturer. |
|  | 12. Use only with the cart, stand, tripod, bracket, or table specified by the manufacturer, or sold with the apparatus. When a cart is used, use caution when moving the cart/apparatus combination to avoid injury from tip-over. |

| | |
|-----|--|
| 13. | Unplug this apparatus during lightning storms or when unused for long periods of time. |
| 14. | Refer all servicing to qualified service personnel. Servicing is required when the apparatus has been damaged in any way, such as power-supply cord or plug is damaged, liquid has been spilled or objects have fallen into the apparatus, the apparatus has been exposed to rain or moisture, does not operate normally, or has been dropped. |
| 15. | WARNING: To reduce the risk of fire or electric shock, do not expose this apparatus to rain or moisture. |
| 16. | The apparatus shall be connected to a MAINS socket outlet with a protective earthing connection. |
| 17. | Where the MAINS plug or an appliance coupler is used as the disconnect device, the disconnect device shall remain readily operable. |
| 18. | The apparatus should be used in moderate climate. |
| 19. | The apparatus shall not be exposed to dripping or splashing and that no objects filled with liquids, such as vases, shall be placed on the apparatus. |

Personal safety

1. To avoid overloading the power supply, never plug too many electrical devices into an outlet, power strip, or extension cable.
 2. Dangerous high-voltage electric power components are located inside the TV. To avoid electric shock, do not disassemble the casing.
 3. Do not place or drop metals, small objects, or flammable materials into the vent of the TV.
 4. If the TV is dropped, falls down, or is otherwise damaged, unplug the power cord immediately and contact an authorized service technician.
 5. If any fluid is sprayed or dropped into the TV, contact an authorized service technician.
 6. The screen of the TV is made of glass. Avoid hitting or scraping it. If the screen is broken, do not touch the broken glass.
 7. Do not allow children to use the TV unattended.
 8. Be careful when disconnecting the power plug. Hold the plug. Do not attempt to disconnect the plug by pulling on the power cord.
-

Installation

1. Do not place the TV in locations where there is excessive steam or dust.
 2. Avoid blocking the TV's vents, do not place the TV on a bed, sofa, carpet, or in a sealed cabinet.
 3. Install the outdoor antenna away from power transmission lines to avoid possible danger.
-



Preface

Thank you for purchasing a Hannspree Liquid Crystal Display Television (LCD TV). Your new TV will allow you to enjoy superior audio and video while enriching your lifestyle with advanced technology.

Please carefully read this manual in its entirety before setting up, using or operating your TV. To ensure the safe and correct installation and operations of the TV, it is important that the safety and operation instructions in this manual are followed.

This instruction manual is designed to assist you in setting up and using the TV. The information in this manual has been carefully checked for accuracy; however, no guarantee is given to the correctness of the contents. The information in this manual is subject to change without notice.

To the extent allowed by applicable law, Hannspree, Inc. ("Hannspree") shall not be liable for direct, indirect, special, exemplary, incidental or consequential damages arising from any defect or omission in this manual, even if advised of the possibility of such damages in advance.



Warranty and Service

For complete warranty service information, please refer to the "Warranty card" enclosed with your TV.

As an ENERGY STAR[®] Partner, Hannspree has determined that this product meets the ENERGY STAR[®] guidelines for energy efficiency.

Recycling Information

We care very much about our environment protection strategy and firmly believe that it helps us have healthier earth via appropriate treatment and recycling of industrial technology devices at the end-of-life.

These devices contain recyclable materials, which can be re-decomposed and re-integrated into brand-new marvels. On the contrary, other material can be classified to hazardous and poisoned substance.

We strongly encourage you to visit our website or call to find out recycling information and services available in your area.

<http://www.hannspree.com/us>

888.808.6789

Copyright

© Copyright 2010 Hannspree, Inc.

All rights reserved. This manual is protected by copyright and distributed under licenses restricting its use, copying and distribution. No part of this manual may be reproduced in any form by any means without the prior written authorization of Hannspree. The TV described in this manual may include copyrighted software of Hannspree (or other third parties). Hannspree (or other third parties) preserves the exclusive rights for copyrighted software, such as the right to distribute or reproduce the copyrighted software. Accordingly, and to the extent allowed by applicable law, any copyrighted software contained in the product described herein shall not be distributed, modified, reverse engineered, or reproduced in any manner without the prior written authorization of Hannspree (or of other third parties).

The Hannspree logos presented herein are trademarks of Hannspree. All other product names, trademarks or logos mentioned herein are used for identification purpose only, and may be the trademarks or registered trademarks of their respective owners.

The purchase of the product described herein shall not be deemed to grant, either directly or by implication, estoppel or otherwise, any license under the copyrights, patents, patent applications or trademarks of Hannspree, except for the normal, non-exclusive use that arises by operation of law in the sale of a product.

Trademark Notice

HDMI Hannspree products incorporate High-Definition Multimedia Interface (HDMI™) technology.

HDMI, the HDMI logo and High-Definition Multimedia Interface are trademarks or registered trademarks of HDMI Licensing LLC.

License Notice and Trademark Acknowledgment



Manufactured under license from Dolby Laboratories. Dolby and the double-D symbol are trademarks of Dolby Laboratories.



1.1 Package Contents

Make sure the following components are included in the box. Please contact Hannspree Customer Service immediately if anything is missing or damaged.

- TV
- Power cord
- Remote control and batteries
- User's manual
- Quick start guide
- Warranty card
- Attention notice card
- Cleaning cloth
- HDMI cable

1.2 Introducing the TV

You can watch NTSC/ATSC broadcast, cable, or digital television channels, and easily connect a VCR, set-top box, or DVD player to the standard CVBS, S-Video, component, and HDMI input ports (location of these ports depends on model). You can also use the TV as a monitor for your PC by connecting it through the VGA or DVI port.

Convenient control buttons located on the TV and a handy remote control let you change channels, adjust the volume, and change display settings through an easy-to-use on-screen display menu system. The built-in stereo speakers provide full rich sound and a convenient audio output port lets you connect to an external audio system or earphones.


1.2.1 Features

- Built-in TV tuner
- Audio/ Video support:
 - PC audio input
 - YPbPr input
 - AV or Composite input
 - S-Video input
 - 3.5 mm stereo earphone output
 - VGA input
 - HDMI input
 - USB
 - One set for R/L audio inputs for AV or Composite/S-Video and the other one for YPbPr.
- On-Screen Display (OSD) menu system
- Built-in stereo speakers
- Digital Noise reduction
- 3D comb filter
- De-interlace Image
- DTV/ Scalar solution
- 3:2/ 2:2 Pull down
- 120Hz refresh rate (Vivid Motion)












Note:

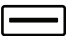









The supporting devices mentioned in this manual may vary on different models.

1.3 Control Panel




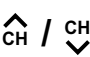


| Description | Button | Function |
|--------------------------|---|---|
| Power |  | Power button. Press to turn the TV on or off. |
| Input source | INPUT | Press to open the input source list or mark an item on the OSD menu. |
| Menu | MENU | Press to open the OSD menu. |
| Channel select | CH ▲ | Press to increase the channel number or move upward to the previous item on the OSD menu. |
| Channel select | CH ▼ | Press to decrease the channel number or move downward to the next item on the OSD menu. |
| Volume adjust | VOL+ | Press to increase the volume or move to the right on the OSD menu. |
| Volume adjust | VOL- | Press to decrease the volume or move to the left on the OSD menu. |
| Remote IR sensor | | Receive incoming remote control commands. |
| Power/ Standby indicator | | Indicate power or standby status. |
| Speakers | | Deliver high-quality sounds. |




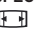


1.4 Input and Output Jacks







| Description | Connector | Function |
|------------------------------|---|---|
| Power connector |  AC IN | Connect to the included power cord. |
| Cable/ Antenna |  VHF / UHF CABLE / ANTENNA | Connect to an antenna or cable TV. |
| HDMI 1 input | HDMI IN  1 | Connect to an external device, such as a DVD player, set-top box, or a PC's DVI/ HDMI port. |
| HDMI 2 input | HDMI IN  2 | Connect to an external device, such as a DVD player, a set-top box, or a PC's DVI/ HDMI port. |
| HDMI 3 input | HDMI IN  3 | Connect to an external device, such as a DVD player, set-top box, or a PC's DVI/ HDMI port. |
| HDMI 4 input | HDMI 4  | Connect to an external device, such as a DVD player, set-top box, or a PC's DVI/ HDMI port. |
| VGA (PC) input | VGA  | Connect to a PC's VGA port. |
| Audio input (PC) | AUDIO IN  | Connect to a PC's audio port |
| Component inputs (video) x 2 |  P _R P _B Y | Connect to an external device, such as a VCR, set-top box, or a DVD player. |
| Component inputs (audio) x 2 | AUDIO L  R  | Connect to an external device, such as a VCR, set-top box, or a DVD player. |

| Description | Connector | Function |
|-------------------------|---|---|
| USB | USB  | Support JPEG and MP3 files. |
| S-Video 1 input | S-VIDEO 1  | Connect to an external device, such as a VCR, set-top box, or a DVD player. |
| Composite input (video) | VIDEO 1  | Connect to an external device, such as a VCR, set-top box, or a DVD player. |
| Composite input (audio) | L  AUDIO R  | Connect to an external device, such as a VCR, set-top box, or a DVD player. |
| S-Video 2 input | S-VIDEO 2  | Connect to an external device, such as a VCR, set-top box, or a DVD player. |
| Composite input (video) | VIDEO 2  | Connect to an external device, such as a VCR, set-top box, or a DVD player. |
| Composite input (audio) | R-AUDIO-L   | Connect to an external device, such as a VCR, set-top box, or a DVD player. |
| Earphone output |  | Connect to earphones or external speakers with built-in amplifiers. |

1.5 Remote Control

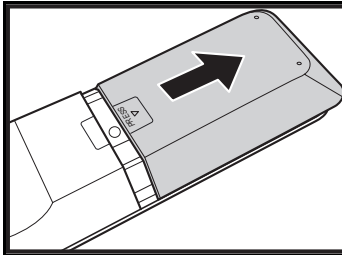
| Description | Icon | Function | | | | | | | | | | | | |
|--------------------|---|--|---|---|---|---|---|---|---|---|---|--|--|--|
| Power |  | Press to turn the TV on or off. | | | | | | | | | | | | |
| Input source | INPUT | Press to open the input source list. | | | | | | | | | | | | |
| Keypad | <table border="0" style="text-align: center; margin: auto;"> <tr><td>1</td><td>2</td><td>3</td></tr> <tr><td>4</td><td>5</td><td>6</td></tr> <tr><td>7</td><td>8</td><td>9</td></tr> <tr><td>0</td><td></td><td></td></tr> </table> | 1 | 2 | 3 | 4 | 5 | 6 | 7 | 8 | 9 | 0 | | | Use to select a channel directly. Press 0-9 to enter the program numbers (press 1 and 0 for channel 10). |
| 1 | 2 | 3 | | | | | | | | | | | | |
| 4 | 5 | 6 | | | | | | | | | | | | |
| 7 | 8 | 9 | | | | | | | | | | | | |
| 0 | | | | | | | | | | | | | | |
| Program entry | — | Press this button for entering DTV minor channel. | | | | | | | | | | | | |
| Last | <small>LAST</small>  | Press to return to the last channel selected. | | | | | | | | | | | | |
| Information | INFO | Press to display program information. | | | | | | | | | | | | |
| Menu | MENU | Press to turn the on-screen display (OSD) menu on/ off; confirm the setting. | | | | | | | | | | | | |
| Arrows |  | Press up, down, left or right to scroll through the on-screen display menus. | | | | | | | | | | | | |
| Select | OK | Press to confirm the TV source selection. | | | | | | | | | | | | |
| Guide channel list | GUIDE | Press to view the EPG screen. | | | | | | | | | | | | |
| Return | RETURN | Press to return to the previous menu. | | | | | | | | | | | | |
| Select channel |  | Press  to increase the channel number. Press  to decrease the channel number. | | | | | | | | | | | | |
| Volume adjust | VOL+ / VOL- | Press VOL + to increase audio volume. Press VOL - to decrease audio volume. | | | | | | | | | | | | |

| Description | Icon | Function |
|-------------------------------|--|---|
| Sleep timer | SLEEP  | Press repeatedly to set the sleep time (Sleep off, 15, 30, 45, 60, 90, or 120 minutes). A Sleep Info appears on the middle of the screen to show the remaining time. Cancel the timer by pressing the button to sleep off mode. |
| Mute | MUTE  | Press to eliminate audio. Press it again or press the volume adjust buttons to restore sound. |
| Multichannel television sound | MTS  | Press to toggle the audio mode (Mono/ Stereo/ SAP) in ATV or the audio services in DTV. |
| DVD | DVD | Press to select a programmed DVD player. |
| AUDIO | AUDIO | Press to select a programmed Audio Receiver/ Amp/ Home Theatre System. |
| CABLE | CABLE | Press to select a programmed Cable TV set-top box or a satellite TV set-top box. |
| TV | TV | Press to enter TV mode. |
| Favorite channels | FAV. | Press to switch to favorite channels. (if no favorite channel was set, "Not Available!" will display on the screen) |
| Aspect ratio | ASPECT  | Press to adjust the width-to-height ratio of the image with aspect ratio Auto, Full, Normal, Zoom, Zoom-1 and Subtitle. |
| Closed caption | C.C. | Press to open or close the closed caption. |
| Record |  | Press to record the program. |
| Pause |  | Press to pause playing. |

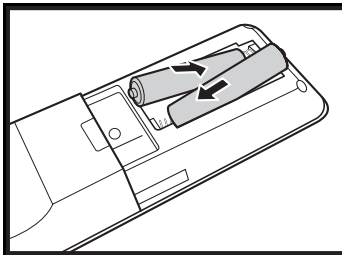
| Description | Icon | Function |
|--------------|---|--|
| Play |  | Press to start playing. |
| Stop |  | Press to stop playing. |
| Previous |  | Press to skip to the previous section. |
| Rewind |  | Press to go backwards. |
| Fast-forward |  | Press to go forwards. |
| Next |  | Press to skip to the next section. |

1.6 Inserting the Remote Control Batteries

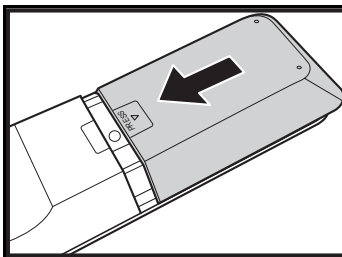
- 1 Open the battery compartment cover at the back of the remote control.



- 2 Insert the batteries paying attention to the polarity markings inside the battery compartment.



- 3 Close the battery compartment cover.





CAUTION

- If the remote control is not used for a long period, remove the batteries and store them properly.
- Handle damaged or leaking batteries carefully, and wash hands with soap if they come in contact with leaked chemical fluids.
- If your remote control has two batteries, do not mix new and old batteries, or the life of the new batteries will be shortened. Chemical fluids may leak from the old batteries.
- Danger of explosion if battery is incorrectly replaced. Replace only with the same or equivalent type recommended by the equipment manufacturer. Discard used batteries according to manufacturer's instructions.
- Refer to your local recycling or waste disposal rules and contact a local waste disposal vendor to dispose of used batteries.
- The remote control cover may have a magnet in it, so do not place magnetic sensitive items such as watches, credit cards, or flash media close to the cover.
- Do not use force when pulling the remote control cover open; you may damage the hinge.

Note:

- For best results, use the remote control within a proper distance from the front of the TV. Do not exceed an angle of 30 degrees when pointing at TV.
- The operational distance may be shortened when the signal sensor is directly exposed to strong light.
- Aim the transmitter on the remote control at the signal sensor and ensure that there are no obstacles between them.

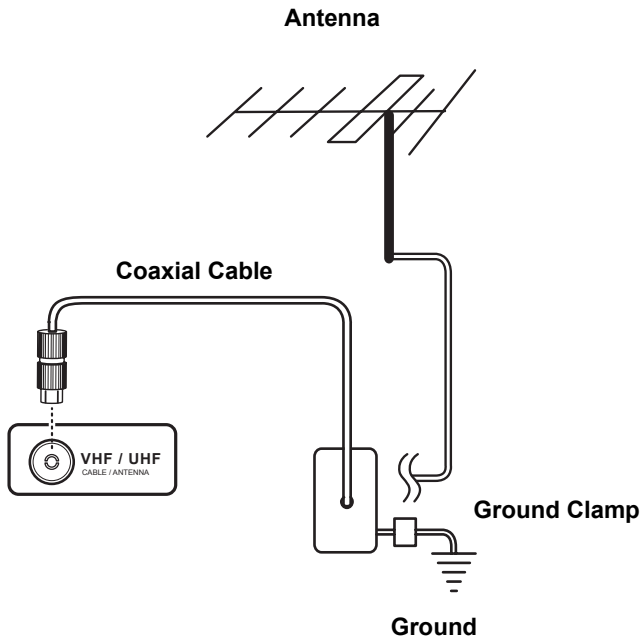
2.1 Basic Connections

2.1.1 Power Connection

- 1 Connect the power cord to the AC IN input jack on the rear of the TV.
- 2 Insert the plug at the other end of the power cord into a power outlet.

2.1.2 Connecting an Antenna or Cable TV

Connect one end of the VHF/UHF (Antenna) or CATV cable to VHF/UHF jack on the rear of the TV.

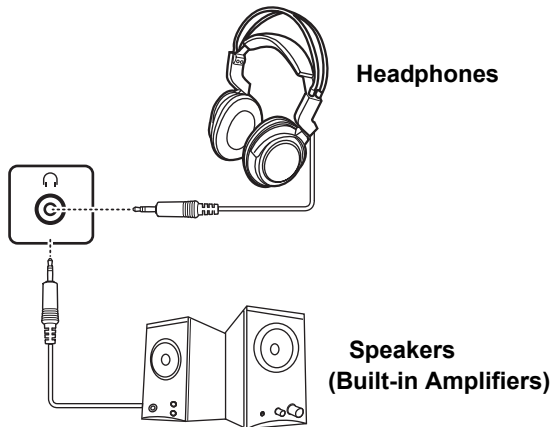
**Note:**

If you cannot receive channels after connecting to an antenna or cable TV line, try scanning for channels.

2.2 Connecting External Devices

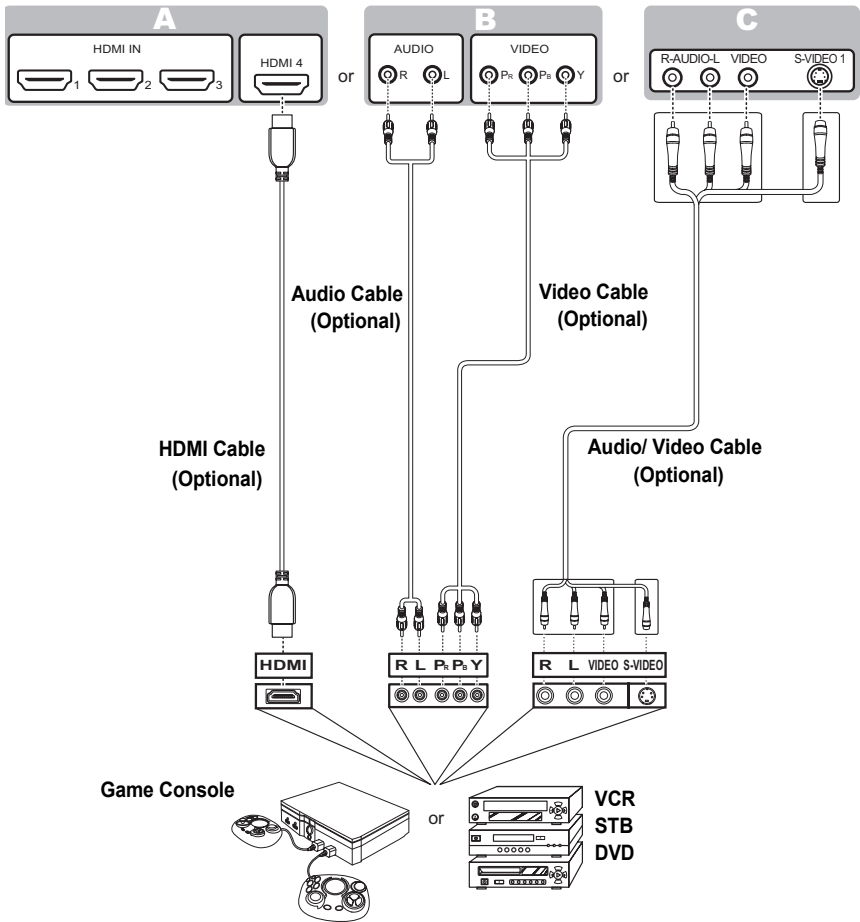
Connect external devices such as VCRs, set-top box, DVD players, video game consoles, earphones, or a PC to the TV using the appropriate ports on the rear of the TV.

2.2.1 Connecting External Earphones

**Note:**

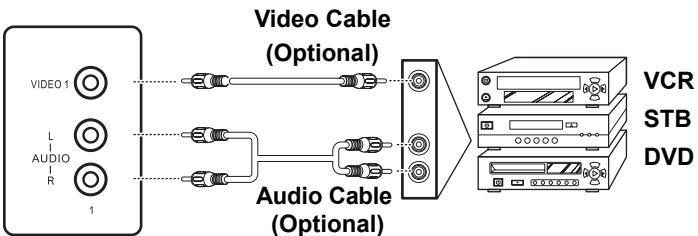
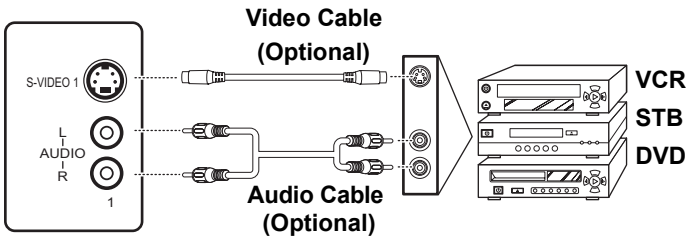
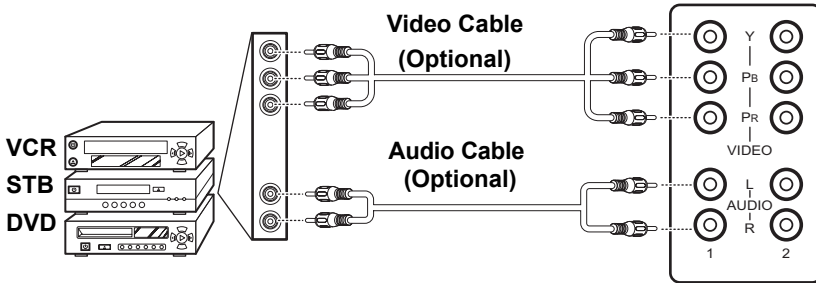
- External speakers or headphones are not included with the TV.
- The internal TV speakers will not output sound when headphones are plugged in.
- Use external speakers with built-in amplifiers only.
- Only one external device for sound can be connected at a time.

2.2.2 Connecting to AV Devices



2.2.3 Connecting a VCR/ Set-top box/ DVD Player Using Video Inputs

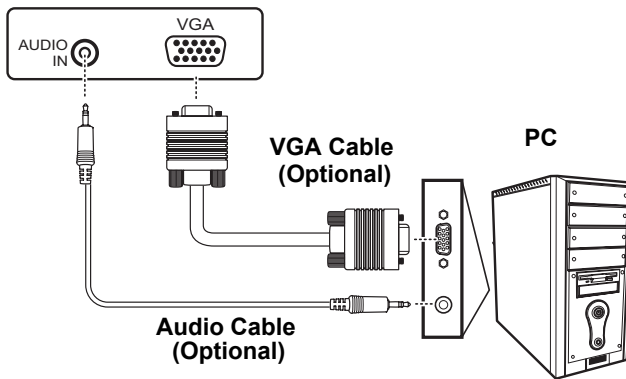
Connect the TV to a VCR/set-top box/ DVD player using the video inputs.



2.2.4 Connecting a PC using VGA

Connect the TV to your PC to use it as the monitor using the VGA port as shown.

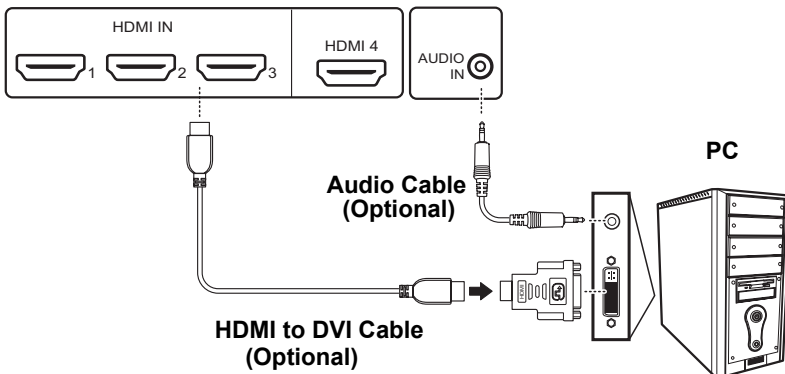
- 1 Connect the VGA port of the TV to the VGA output of the PC.
- 2 Connect the PC LINE IN port of your TV to the line out port of the PC to listen to audio from the PC.



2.2.5 Connecting a PC using DVI

Connect the TV to your PC to use it as the monitor using the DVI port as shown.

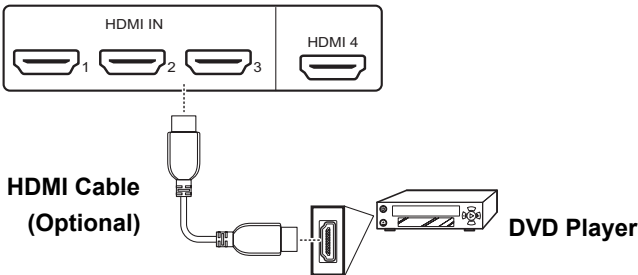
- 1 Connect the HDMI 1 or HDMI 2 port of the TV to the DVI output of the PC.
- 2 Connect the PC LINE IN port of your TV to the line out port of the PC of your TV to listen to audio from the PC.



2.2.6 Connecting HDMI

HDMI (High Definition Multimedia Interface) assures that the best video signal is always sent from source to the TV.

Refer to the following illustration to connect an HDMI device to the TV.

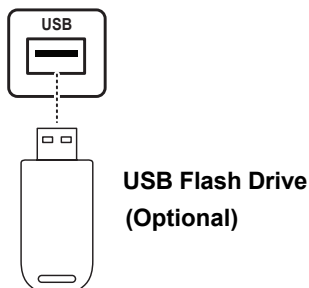


Note:

When the HDMI cable is connected, connecting the audio cable is not necessary. However, it is necessary to do so if a HDMI to DVI cable is connected.

2.2.7 Connecting USB

Connect the USB flash drive to the TV using the USB port as shown. The JPEG and MP3 files are supported.





Note:

- The USB hub, USB card reader, and digital camera as USB mass storage device are supported.
- The USB HDD is not supported.

2.3 Using the TV

2.3.1 Turning the TV On and Off

- 1 Press  on the control panel or remote control. The power LED indicator on the TV changes from red to green, indicating that the TV is on.
- 2 Press  again. The power LED changes from green to red, indicating that the TV is off.

2.3.2 Switching Source Signals



Press **INPUT** on the control panel or remote control to select the incoming source signal to set TV source for channel search. Press **OK** to confirm.

2.3.3 Performing an Automatic Channel Search

Before using the TV to view programs, you need to activate the channel search first.

- 1 Press **MENU** on the control panel or remote control, then select to enter the Channel menu.
- 2 Select Antenna to set the signal source. (Air or Cable, default is Air)
- 3 Select Auto scan, then Start option.
- 4 Press **OK** on the remote control to run the channel search.

2.3.4 Selecting Channels

- Press **CH▲** on the control panel or  on the remote control to increase the channel number.
- Press **CH▼** on the control panel or  on the remote control to decrease the channel number.
- Enter the specific channel number by pressing the number buttons on the remote control.

2.3.5 Adjusting the Volume

- 1 Press **VOL+** on the control panel or $\overset{+}{\text{VOL}}$ on the remote control to increase the volume.
- 2 Press **VOL-** on the control panel or $\overset{-}{\text{VOL}}$ on the remote control to decrease the volume.
- 3 Press $\overset{\text{MUTE}}{\text{MUTE}}$ to eliminate sounds, and press $\overset{\text{MUTE}}{\text{MUTE}}$ again or press the volume buttons to restore the original volume.

2.3.6 Editing Channel Table or Favorite Channel

- 1 Press **MENU** on the control panel or remote control, then select to enter the Channel menu.
- 2 Select Channel List.
- 3 If you want to add or remove channel from channel table, please select the channel and press **OK** to mark "S" column. If you want to add or remove favorite channel, please select the channel and press **OK** to mark "F" column.

3

Adjusting On-Screen Display (OSD) Settings

The On-Screen Display (OSD) menu system provides a quick and simple method to adjust the TV settings. The OSD menu can be accessed through the buttons either on the control panel or the remote control.

Before going to details of each OSD item, you may get acquainted with the placement of the OSD system:

CURRENT MENU:

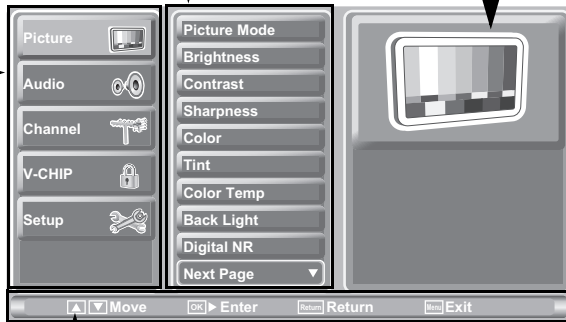
Displays the title of the currently chosen menu.

ADJUSTABLE ITEMS:

Displays the settings/ values of the adjustable items.

MAIN MENU:

Displays a list of menu items. The chosen item is marked by a different color than other menu items.



INSTRUCTIONS:

Quick instructions for adjusting the settings.

| Function | TV Control Panel | Remote Control |
|----------|------------------|-----------------|
| OSD Menu | MENU | MENU |
| Up | CH ▲ | Arrow ^ |
| Down | CH ▼ | Arrow v |
| Increase | VOL + | Arrow > |
| Decrease | VOL - | Arrow < |
| Select | INPUT/ VOL+ | OK/ Arrow > |
| Return | MENU/ VOL- | RETURN/ Arrow < |

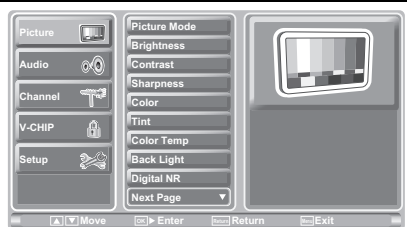
3.1 OSD Setting Menus

Follow the instructions indicated on the bottom of the OSD Function Menu. Press **CH▲ / CH▼** on the control panel or **▲ / ▼** arrow keys on the remote control to scroll through the menus. Press **INPUT** on the control panel or **OK** key on the remote control to select an item and then press **MENU** key to exit the OSD menu.

The following menus can be set by different adjustment methods.

3.2 Adjusting Picture Settings

- 1 Press **MENU** to enter the OSD Main Menu screen.
- 2 Press **▲ / ▼** on the remote control or **CH▲ / CH▼** on the control panel to select Picture menu.
- 3 Press **➤ / OK** on the remote control or **INPUT** on the control panel to enter the Picture menu.



- 4 Press **▲ / ▼** on the remote control or **CH▲ / CH▼** on the control panel to select an item.
- 5 Press **➤ / OK** on the remote control or **INPUT** on the control panel to enter the item.
- 6 Press **◀ / ▶** on the remote control or **VOL+ / VOL-** on the control panel, to change the scales or press **OK** on the remote control or **INPUT** on the control panel to mark an item.
- 7 Press **RETURN** to return to the Picture menu.
- 8 Press **MENU** to exit the Picture menu.
- 9 The Picture menu can be used to adjust the **Picture mode, Brightness, Contrast, Sharpness, Color, Tint, Color Temp, Back Light, Digital NR, X-Contrast, Aspect Ratio, and Recall** settings. **Brightness, Contrast, Sharpness, Color, Tint, Color Temp, and Back Light** are only available for adjustments if you select **User** in Picture Mode. Press **◀ / ▶** on the remote control or **VOL+ / VOL-** on the control panel to adjust these settings.
 - The Picture Mode can be set to **Vivid, Standard, Movie, or User**.
 - The Color Temp can be set to **Warm, Standard, or Cool**.
 - The Digital NR can be set to **Off, Weak, Medium, or Strong**.
 - The X-Contrast can be set to **Off** or **On**.
 - The Aspect Ratio can be set to **Auto, Full, Normal, Wide, Subtitle, Zoom, Zoom-1**.
 - The Recall can be used to reset the original factory settings.

Note:

The items available on the OSD may vary depending on the input signal source.

3.3 Adjusting Audio Settings

- 1 Press **MENU** to enter the OSD Main Menu screen.
- 2 Press **▲ / ▼** on the remote control or **CH▲ / CH▼** on the control panel to select Audio menu.
- 3 Press **➤ / OK** on the remote control or **INPUT** on the control panel to enter the Audio menu.
- 4 Press **▲ / ▼** on the remote control or **CH▲ / CH▼** on the control panel to select an item.
- 5 Press **➤ / OK** on the remote control or **INPUT** on the control panel to enter the item.
- 6 Press **◀ / ▶** on the remote control or **VOL+ / VOL-** on the control panel to change the scales or press **OK** on the remote control or **INPUT** on the control panel to mark an item.
- 7 Press **RETURN** to return to the Audio menu.
- 8 Press **MENU** to exit the Audio menu.
- 9 The Audio menu can be used to adjust the **Audio Mode**, **Equalizer**, **Balance**, **DRC (DTV only)**, **MTS (ATV only)**, **Auto Volume (ATV only)**, and **Recall** settings. **Equalizer** is available for adjustment only if you select **User** in Audio Mode.
 - The Audio Mode can be set to **Dynamic**, **Standard**, **Soft**, or **User**.
 - Press **◀ / ▶** on the remote control or **VOL+ / VOL-** on the control panel to adjust the scales in Equalizer and Balance.
 - The DRC (Dynamic Range Control) can be set to **RF Mode** or **Line Mode**.
 - The MTS can be set to **Stereo**, **Mono**, or **SAP**.
 - The Recall can be used to reset the original factory settings.

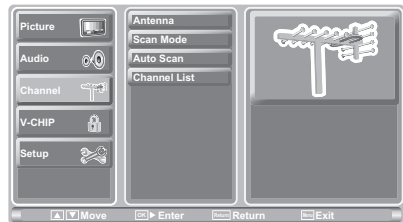


Note:

The items available on the OSD may vary depending on the input signal source.

3.4 Adjusting Channel Settings

- 1 Press **MENU** to enter the OSD Main Menu screen.
- 2 Press **▲ / ▼** on the remote control or **CH▲ / CH▼** on the control panel to select Channel menu.
- 3 Press **➤ / OK** on the remote control or **INPUT** on the control panel to enter the Channel menu.



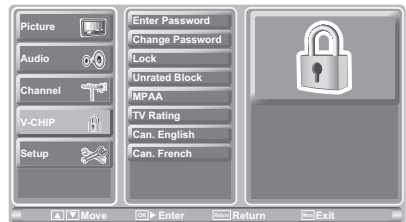
- 4 Press **▲ / ▼** on the remote control or **CH▲ / CH▼** on the control panel to select an item.
- 5 Press **➤ / OK** on the remote control or **INPUT** on the control panel to enter the item.
- 6 Press **◀ / ▶** on the remote control or **VOL+ / VOL-** on the control panel to change the scales or press **OK** on the remote control or **INPUT** on the control panel to mark an item.
- 7 Press **RETURN** to return to the Channel menu.
- 8 Press **MENU** to exit the Channel menu.
- 9 The Channel menu can be used to perform a channel search and edit channel list (see "Performing an Automatic Channel Search" on page 28 and "Editing Channel Table or Favorite Channel" on page 29).
 - The Antenna can be set to **Air** or **Cable**.
 - The Scan Mode can be set to **Auto**, **Analog**, or **Digital**.
 - The Auto Scan can be set to **Auto**, **Standard**, **HRC**, or **IRC** (under Cable mode only).

Note:

The Channel settings are available when the signal is set to TV source.

3.5 Adjusting V-CHIP Settings

- 1 Press **MENU** to enter the OSD Main Menu screen.
- 2 Press **▲ / ▼** on the remote control or **CH▲ / CH▼** on the control panel to select V-CHIP menu.
- 3 Press **➤ / OK** on the remote control or **INPUT** on the control panel to enter the V-CHIP menu.
- 4 Enter the password to activate the menu of V-CHIP.
- 5 Press **▲ / ▼** on the remote control or **CH▲ / CH▼** on the control panel to select an item.
- 6 Press **➤ / OK** on the remote control or **INPUT** on the control panel to enter the item.
- 7 Press **OK** on the remote control or **INPUT** on the control panel to mark an item.
- 8 Press **RETURN** to return to the V-CHIP menu.
- 9 Press **MENU** to exit the V-CHIP menu.
- 10 The V-CHIP menu can set **Change Password**, **Lock**, **Unrated Block**, **MPAA**, **TV Rating**, **Can. English**, and **Can. French** settings.



Note:

Super Password

Step 1: Input password "7071" (But OSD will display "Error !".)

Step 2: Input password "8512". Then OSD will display "Correct !" and V-CHIP is unlocked.


3.6 Adjusting Setup Settings

- 1 Press **MENU** to enter the OSD Main Menu screen.
- 2 Press **▲ / ▼** on the remote control or **CH▲ / CH▼** on the control panel to select Setup menu.
- 3 Press **➤ / OK** on the remote control or **INPUT** on the control panel to enter the Setup menu.
- 4 Press **▲ / ▼** on the remote control or **CH▲ / CH▼** on the control panel to select an item.
- 5 Press **➤ / OK** on the remote control or **INPUT** on the control panel to enter the item.
- 6 Press **◀ / ▶** on the remote control or **VOL+ / VOL-** on the control panel to change the scales or press **OK** on the remote control or **INPUT** on the control panel to mark an item.
- 7 Press **RETURN** to return to the Setup menu.
- 8 Press **MENU** to exit the Setup menu.
- 9 The Setup menu can be used to adjust the **Setup Wizard, OSD Language, OSD Time, Clock Mode, Clock Set, Time Zone, Sleep Time, Vivid Motion, CC Mode, Analog CC, and CC Style** settings. Clock Set is only available for adjustments when Clock Mode is set to **Manual**; Clock Mode can be set to **Auto** or **Manual**.
 - Setup Wizard can be used to set up **OSD Language, Clock Mode, Time Zone, TV RF Source, and Channel Scan**.
 - The five available OSD languages are: **English, Spanish, French, Traditional Chinese, and Simplified Chinese**.
 - OSD Time can be set to **10 secs, 20 secs, 30 secs, and 60 secs**.
 - The Time Zone can be set to **Eastern, Central, Mountain, Pacific, Alaska, and Hawaii**.
 - The Sleep Time can be set to **Sleep Off, 15 mins, 30 mins, 45 mins, 60 mins, 90 mins, and 120 mins**.
 - The Vivid Motion can be set to **Off, Low, Medium, and High**.
- 10 To change settings in **CC Mode, Analog CC, Digital CC, and CC Style**, press **▲ / ▼** on the remote control to select the items and press **➤ / OK** to activate the item.

Note:

The items available on the OSD may vary depending on the input signal source.



| Situation | Solution |
|---|--|
| No picture and sound. | <ul style="list-style-type: none"> • Connect the power cord properly. • Check if the power LED is on or not. • Press  on the control panel or remote control. • Press INPUT to cycle through connected video sources. • Press channel up or channel down to switch to other TV channels. • Make sure all cables are connected properly. |
| No picture, or poor picture, sound is OK. | <ul style="list-style-type: none"> • Check the antenna and cable connections. • Adjust the brightness in the OSD menus. |
| Picture is not in color. | <ul style="list-style-type: none"> • Adjust the saturation in the OSD menus. |
| Picture is OK, no sound. | <ul style="list-style-type: none"> • Make sure the source device is functioning properly. • Make sure the audio cable is connected securely. • Turn the mute off. • Press volume up on the control panel or remote control. |
| One of the speakers has no sound. | <ul style="list-style-type: none"> • Adjust the balance in the OSD Audio menu. |
| Cannot receive some TV channels using cable TV. | <ul style="list-style-type: none"> • Try the Auto Scan function in the OSD Channel menu. |
| Want to reset TV settings. | <ul style="list-style-type: none"> • Use the Setup Wizard function in the OSD Setup menu. |
| Cannot operate menus. | <ul style="list-style-type: none"> • If OSD items are colored in gray, the system is in a state such that those settings are not available. |
| Screen image turns over. | <ul style="list-style-type: none"> • Make sure the video signal cable is connected properly. |
| Snow appears on the screen. | <ul style="list-style-type: none"> • Adjust the location of the antenna, placing it far from roads or sources of interference. • Check the antenna and the video signal line connections. |
| Blurred or overlapped images. | <ul style="list-style-type: none"> • Adjust the sharpness setting. • Choose programs with high quality signals. • Adjust the direction of the antenna or change the video signal cable. |
| Remote control doesn't work. | <ul style="list-style-type: none"> • Make sure the battery is inserted correctly. • Replace the battery with a new one. • Make sure the TV power cord is plugged in securely. • Make sure the path between the remote control and the sensor is clear. • Try operating the remote control at a closer distance to the TV. |

| | | |
|----------------------------------|---|-----------|
| LCD Panel Size | 55 inch TFT | |
| Screen Format | 16:9 | |
| Panel Resolution | 1920 (H) x 1080 (V) | |
| Refresh Rate | 120 Hz | |
| TV System | ATV: NTSC | DTV: ATSC |
| Video System | AV (CVBS) x2 | |
| | S-Video x2 | |
| | HDMI: HDMI 1 / HDMI 2 / HDMI 3 / HDMI 4 | |
| | HDTV: (YPbPr) x2 | |
| | PC (VGA) | |
| Photo System | USB (JPEG) | |
| Audio System | AV/S-Video: (RCA x2) R/L in | |
| | HDTV: (RCAx2) R/L in | |
| | HDMI: HDMI 1 / HDMI 2 / HDMI 3 / HDMI 4 | |
| | USB (MP3) | |
| | PC Audio in: Phone jack (Black) | |
| | Audio out: Earphone jack (Green) | |
| Built-in Stereo Amplifier Output | 15 W x 2 | |
| Power Consumption | Standby: under 1W Power on: 350W (Typical) | |
| Power Supply | AC Input: 100V~240V / 50Hz~60Hz | |

PC Mode Support Timing

| Mode | Resolution (active dot) | Horizontal Frequency (KHz) | Vertical Frequency (Hz) | Nominal Pixel Clock (MHz) | VGA | DVI to HDMI |
|--------|-------------------------|----------------------------|-------------------------|---------------------------|-----|-------------|
| VGA | 640x480@60Hz | 31.469 | 59.941 | 25.175 | V | V |
| SVGA | 800x600@60Hz | 37.879 | 60.317 | 40.000 | V | V |
| XGA | 1024x768@60Hz | 48.363 | 60.004 | 65.000 | V | V |
| SXGA | 1280x1024@60Hz | 63.981 | 60.020 | 108.000 | V | V |
| WXGA+ | 1440x900@60Hz | 55.935 | 59.887 | 106.500 | V | V |
| WSXGA+ | 1680x1050@60Hz | 65.290 | 59.954 | 146.250 | V | V |
| VESA | 1920x1080@60Hz | 67.500 | 60.000 | 148.500 | V | V |

Video Mode Support Timing

| Resolution (active dot) | HDMI | YPbPr |
|-------------------------|------|-------|
| 640x480p@60Hz | V | |
| 720x480i@60Hz | V | V |
| 720x480p@60Hz | V | V |
| 1280x720p@60Hz | V | V |
| 1920x1080i@60Hz | V | V |
| 1920x1080p@60Hz | V | V |

6.1 Introduction

The electronic equipment type switch buttons are used for switching the current electronic equipment type on the remote control.

The remote control includes 4 electronic equipment types: DVD, AUDIO, CABLE and TV.

The remote control keypad matrix includes 4 electronic equipment type switch buttons (DVD, AUDIO, CABLE and TV). If switching the current electronic equipment is desired, just press the button of the electronic equipment type you wish to switch to, e.g., press the TV button for TV; the corresponding indicator light then comes on for 2 seconds then it goes off after, and now the current electronic equipment mode has been switched to TV.

6.1.2 Setting Program Codes

Electronic equipment code setting mode is used for setting electronic equipment codes for various types of electronic equipment. Electronic equipment codes are 4 digits. Electronic equipment codes can be looked up in the electronic equipment code list of the appendix.

Electronic equipment code setting mode has the following operating procedures:

1. Select a 4-digit code from the list (start from the first code if more than one).
2. Select the desired corresponding mode of electronic equipment type; for example, DVD players.
3. Press DVD button. The indicator light will come on for 2 seconds then it goes off; after 3 seconds, the indicator light will come on again, showing that the setting mode has been entered.
4. Hold the electronic equipment button, while pressing digit keys corresponding to the electronic equipment code in sequence. The indicator light will flash once each time when a digit was inputted, and if the indicator light does not come on again after going off, the input code is valid; if the indicator light comes on again after going off for 2 seconds, the code is invalid, and users will be prompted to input other electronic equipment codes.
5. During the setting process, releasing the electronic equipment button exits the setting mode immediately without changing the status prior to setting.

6. During the setting process, only digit keys '0' through '9' are valid inputs, while other buttons are deemed invalid and do not affect the code setting. For example, inputting "02" then pressing RETURN does affect the "02" already input.

6.1.3 Searching Codes

If the desired electronic equipment code for setting can not be found on the list in the appendix, try to use the code-searching function with operating procedures as follows:

1. Press the corresponding electronic equipment button. The indicator light will come on for 2 seconds then it goes off; after 3 seconds, the indicator light will come on again, showing that the setting mode has been entered.
2. Hold the electronic equipment button while pressing POWER, then input mode codes 9-9-9 in sequence. If the indicator light does not come on again after going off, the code setting is valid; otherwise the indicator light comes on again after going off for 6 seconds, prompting user to re-enter mode codes.
3. If setting is successful, the electronic equipment code-searching state is entered upon releasing the electronic equipment button. The POWER signal of all manufacturers' codes under the current electronic equipment mode is then transmitted automatically every 5 seconds.
4. During search, the indicator light will flash when the POWER signal of each electronic equipment is transmitted. When one cycle of code-searching is complete, the indicator light will come on for 6 seconds before going off, exiting search mode automatically.
5. Pressing CH+/CH- during search transmits the next/previous electronic equipment POWER signal without waiting for 5 seconds, and resets the timer to trigger another 5 seconds interval.
6. Pressing POWER during search exits search mode without saving the new electronic equipment code; pressing OK during search saves the most recently searched electronic equipment code and then exits search mode.
7. Buttons other than POWER, OK, and CH+/CH- are not functional during search.

6.1.4 Setting Volume Lock

Operating procedures are as follows:

1. Press the corresponding electronic equipment button. The indicator light will come on for 2 seconds then it goes off; after 3 seconds, the indicator light will come on again, showing that the setting mode has been entered.
2. While holding the electronic equipment button, press VOL+ twice consecutively to assign volume lock to that electronic equipment (meaning the volume buttons will only transmit code values to the assigned electronic equipment even under other electronic equipment modes). The indicator light then goes off and setting mode is exited.
3. While holding the electronic equipment button, press VOL- twice consecutively to cancel volume lock under current mode (for example, if volume lock was set under TV mode and you wish to transmit code values under current DVD mode, just perform this unlock operation, while those electronic equipment modes not operated still have volume locked up). The indicator light then goes off and setting mode is exited.
4. During the setting process, releasing the electronic equipment button exits the setting mode immediately without changing the status prior to setting.
5. Buttons other than VOL+/VOL- are not functional during search. Volume buttons include VOL+, VOL- and MUTE.

6.1.5 Setting Channel Lock

Operating procedures are as follows:

1. Press the corresponding electronic equipment button. The indicator light will come on for 2 seconds then it goes off; after 3 seconds, the indicator light will come on again, showing that the setting mode has been entered.
2. While holding the electronic equipment button, press CH+ twice consecutively to assign channel lock to that electronic equipment (meaning the channel buttons will only transmit code values to the assigned electronic equipment even under other electronic equipment modes). The indicator light then goes off and setting mode is exited.
3. While holding the electronic equipment button, press CH- twice consecutively to cancel channel lock under current mode (for example, if channel lock was set under TV mode and you wish to transmit code values under current CABLE mode, just

perform this unlock operation, while those electronic equipment modes not so operated still have channel locked up). The indicator light then goes off and setting mode is exited.

4. During the setting process, releasing the electronic equipment button exits the setting mode immediately without changing the status prior to setting.
5. Buttons other than CH+/CH- are not functional during search. Channel buttons include CH+ and CH-.

6.1.6 Factory Setting Mode

Factory setting operation procedures are as follows:

1. Press the corresponding electronic equipment button. The indicator light will come on for 2 seconds then it goes off; after 3 seconds, the indicator light will come on again, showing that the setting mode has been entered.
2. While holding the electronic equipment button, first press < (left arrow), then press OK. The indicator then goes off and setting mode is exited, showing factory setting has been restored.
3. During the setting process, releasing the electronic equipment button exits the setting mode immediately without changing the status prior to setting.
4. Pressing any of the electronic equipment buttons to enter factory setting operation mode.
5. The default current electronic equipment is TV upon first power-on.

| Electronic equipment | Code | Note |
|----------------------|------|--------------------------|
| TV | 1001 | Provided by manufacturer |
| CABLE | -- | Transmit TV code |
| AUDIO | -- | Transmit TV code |
| DVD | -- | Transmit TV code |

6. Default volume lock setting:

| Electronic equipment | VOL+, VOL- and Mute | Note |
|----------------------|---------------------|--------------------------|
| TV | Transmit TV code | Provided by manufacturer |
| CABLE | Transmit CABLE code | Unlocked |
| AUDIO | Transmit AUDIO code | Unlocked |
| DVD | Transmit DVD code | Unlocked |

7. Default channel lock setting:

| Electronic equipment | CH+ and CH- | Note |
|----------------------|---------------------|--------------------------|
| TV | Transmit TV code | Provided by manufacturer |
| CABLE | Transmit CABLE code | Unlocked |
| AUDIO | Transmit AUDIO code | Unlocked |
| DVD | Transmit DVD code | Unlocked |

Note:

Each re-powering restores factory setting, and all electronic equipment modes transmit TV-mode infrared (IR) signal until being set up through code setting. For example, setting the electronic equipment code of CABLE as '0001' stops transmitting TV code, whereas AUDIO and DVD continue to transmit TV code.

6.1.7 Description

There is no multi-function code setting operation under TV mode but a fixed code for the TV manufacturer. Therefore, code setting and code-searching functions are disabled under this mode; other functions such as volume lock, channel lock and code display are operable.

6.2 Other Descriptions

6.2.1 Double Clicking

At any time, only when a single button is pressed, the corresponding code is just output. Two or more buttons simultaneously pressed do not output any code.

6.2.2 Buttons Information

Except TV equipment, all the buttons on remote controls corresponding to other electronic equipments (AUDIO, CABLE, and DVD) are not necessarily functional, but most of those remote controls only include power control, channel control, volume control, etc.

6.2.3 Power-out Protection Capability

During battery replacement, all settings are only maintained by external capacitors. Data therefore may be lost after power-out, and factory setting will be restored.

6.3 Component Program Codes

| Setup Code for VCR's | |
|----------------------|------------------------------|
| ABC | 2102 |
| Admiral | 2012, 2022 |
| Aiko | 2025 |
| Aiwa | 2005, 2027 |
| Alienware | 2102 |
| America Action | 2025 |
| American High | 2004 |
| Amoisonic | 2027 |
| Anam | 2020, 2005, 2024, 2025 |
| Anam National | 2020 |
| Asha | 2024 |
| Audiovox | 2005, 2025 |
| Beaumarck | 2024 |
| Bell & Howell | 2017 |
| Broksonic | 2021, 2018, 2022, 2001, 2027 |
| Calix | 2005 |
| Cannon | 2004 |
| Carver | 2016 |
| CCE | 2015, 2025 |
| Changhong | 2012, 2016 |
| Citizen | 2005, 2025 |
| Colt | 2015 |

| Setup Code for VCR's | |
|----------------------|--|
| Craig | 2005, 2011, 2024, 2015 |
| Curtis Mathes | 2913, 2004, 2020 |
| Cybernex | 2024 |
| CyberPower | 2102 |
| Daewoo | 2010, 2017, 2025 |
| Dell | 2102 |
| Denon | 2008 |
| Direc TV | 2059 |
| Durabrand | 2007, 2006 |
| Electrohome | 2005 |
| Electroponic | 2005 |
| Emerex | 2002 |
| Emerson | 2004, 2005, 2021, 2024, 2010, 2018, 2009, 2022, 2001, 2025, 2027 |
| Fisher | 2011, 2017 |
| Fuji | 2004, 2003 |
| Fujitsu | 2010 |
| Gateway | 2102 |
| GE | 2013, 2004, 2024 |
| General | 2010 |
| Go Video | 2026 |

| Setup Code for VCR's | |
|------------------------|------------------------------|
| GoldStar | 2005, 2022, 2006, 2023 |
| HaoJie | 2024 |
| Harman/ Kardon | 2016, 2006 |
| Harwood | 2015 |
| Hewlett Packard | 2102 |
| HI-Q | 2011 |
| Hitachi | 2005, 2008 |
| Howard Computers | 2102 |
| HP | 2102 |
| Hughes Network Systems | 2008, 2059 |
| iBUYPOWER | 2102 |
| JVC | 2010, 2014 |
| KEC | 2005, 2025 |
| Kenwood | 2014, 2006 |
| KLH | 2015 |
| Kodak | 2004, 2005 |
| Kolin | 2009 |
| LG | 2005, 2010, 2008, 2022, 2006 |
| Logik | 2015 |
| LXI | 2005 |
| Magnavox | 2004, 2007, 2016 |

| Setup Code for VCR's | |
|----------------------|--|
| Magnin | 2024 |
| Marantz | 2004, 2016 |
| Marta | 2005 |
| Matsushita | 2004, 2020 |
| Media Center PC | 2102 |
| MEI | 2004 |
| Memorex | 2004, 2020, 2005, 2012, 2007, 2011, 2024, 2017, 2022, 2027 |
| MGA | 2024, 2009 |
| MGN Technology | 2024 |
| Microsoft | 2102 |
| Mind | 2102 |
| Minolta | 2008 |
| Mitsubishi | 2014, 2009 |
| Motorola | 2004, 2012 |
| MTC | 2024 |
| Multitech | 2015 |
| NEC | 2004, 2005, 2012, 2017, 2014, 2006 |
| Newave | 2005 |
| Nikko | 2005 |
| Noblex | 2024 |
| Northgate | 2102 |

| Setup Code for VCR's | |
|----------------------|------------------------------------|
| Olympus | 2004 |
| Optimus | 2087, 2020, 2005, 2012, 2017, 2026 |
| Orion | 2021, 2022, 2001, 2027 |
| Panasonic | 2087, 2004, 2020, 2043, 2023 |
| Penney | 2004, 2005, 2024, 2008, 2006 |
| Pentax | 2008 |
| Philco | 2004, 2027 |
| Philips | 2004, 2016, 2059, 2044 |
| Pilot | 2005 |
| Pioneer | 2008, 2014 |
| Polk Audio | 2016 |
| Profitronic | 2024 |
| Proscan | 2013 |
| Protec | 2015 |
| Puslar | 2007 |
| Qisheng | 2013 |
| Quasar | 2004, 2020 |
| Radix | 2005 |
| Randex | 2005 |

| Setup Code for VCR's | |
|----------------------|------------------------------|
| RCA | 2013, 2004, 2024, 2008, 2077 |
| Realistic | 2004, 2005, 2012, 2011, 2017 |
| Replay TV | 2043 |
| Runco | 2007 |
| Sampo | 2005, 2012 |
| Samsung | 2024, 2010, 2026 |
| Sanky | 2012, 2007 |
| Sansui | 2014, 2022, 2027 |
| Sanyo | 2011, 2024, 2017 |
| Scolt | 2021, 2010, 2018, 2009 |
| Sears | 2004, 2005, 2011, 2008, 2017 |
| Sharp | 2012, 2022 |
| Shintom | 2015 |
| Shogun | 2024 |
| Singer | 2015 |
| Sonic Blue | 2043 |
| Sony | 2004, 2002, 2003, 2048, 2102 |
| STS | 2008 |
| Sylvania | 2004, 2016, 2009 |

| Setup Code for VCR's | |
|----------------------|--|
| Tashiko | 2005 |
| Tatung | 2010, 2014 |
| Technics | 2004, 2020 |
| Teco | 2004, 2005 2012, 2006 |
| Teknika | 2004, 2005 |
| Tivo | 2048, 2044, 2098, 2059 |
| TMK | 2024 |
| Toshiba | 2010, 2008, 2014, 2009, 2098, 2079, 2102 |
| Totevision | 2005, 2024 |
| Touch | 2102 |
| Unitech | 2024 |
| Vector | 2010 |
| Vector Research | 2006 |
| Victor | 2014 |
| Video Concepts | 2010 |
| Videomagic | 2005 |
| Vidosonic | 2024 |
| Wards | 2013, 2004, 2012, 2011, 2016, 2024, 2008, 2015 |
| White Westinghouse | 2022, 2015 |

| Setup Code for VCR's | |
|----------------------|------------|
| XR-1000 | 2004, 2015 |
| Yamaha | 2006 |

| Setup Code for DVD's | |
|----------------------|--|
| Aiwa | 2049 |
| Akai | 2062 |
| Allegro | 2076 |
| Apex Digital | 2053, 2058, 2067, 2086, 2066, 2084 |
| Blaupunkt | 2058 |
| Blue Parade | 2039 |
| Broksonic | 2055 |
| Changhong | 2046, 2086 |
| CineVision | 2076 |
| Coby | 2090 |
| Curtis Mathes | 2091 |
| CyberHome | 2082, 2081, 2094, 2070, 2093 |
| Daewoo | 2073, 2097, 2076 |
| Denon | 2028 |
| DVD2000 | 2031 |
| Emerson | 2042, 2054 |
| Enterprise | 2042 |
| Funai | 2054 |
| Gateway | 2096, 2088 |
| GE | 2032. 2058 |

| Setup Code for DVD's | |
|----------------------|---|
| Go Video | 2060, 2073, 2092, 2063, 2089, 2076, 2100 |
| Greenhill | 2058 |
| Harman/ Kardon | 2041, 2057 |
| Hitachi | 2040, 2052 |
| Hiteker | 2053 |
| Initial | 2058 |
| Integra | 2046 |
| JBL | 2057 |
| JVC | 2038, 2045, 2075 |
| Kenwood | 2028, 2035 |
| KLH | 2085, 2080, 2095 |
| Koss | 2051 |
| Lasonic | 2068 |
| LG | 2042, 2076, 2069 |
| Lite-ON | 2096, 2085 |
| Loewe | 2030 |
| Magnavox | 2029, 2036, 2054 |
| Marantz | 2036 |
| Memorex | 2055 |
| Microsoft | 2032 |
| Mintek | 2058 |
| Mitsubishi | 2099, 2031 |
| Nesa | 2058 |

| Setup Code for DVD's | |
|----------------------|------------------------|
| Norcent | 2078 |
| Onkyo | 2029, 2046, 2064 |
| Oritron | 2051 |
| Panasonic | 2028, 2101 |
| Philips | 2029, 2036, 2050 |
| Pioneer | 2033, 2039 |
| Polaroid | 2090, 2086 |
| Polk Audio | 2036 |
| Portland | 2062 |
| Proscan | 2032 |
| Qwestar | 2051 |
| RCA | 2032, 2039, 2058, 2072 |
| Rio | 2076 |
| Rotel | 2045 |
| Sampo | 2061, 2056 |
| Samsung | 2028, 2040, 2089, 2071 |
| Sansui | 2055 |
| Sanyo | 2055 |
| Sharp | 2047, 2061 |
| Sharper Image | 2093 |
| Sherwood | 2062 |
| Shinco | 2058 |
| Shinsonic | 2034 |
| Sonic Blue | 2076, 2092 |

| Setup Code for DVD's | |
|----------------------|------------------|
| Sony | 2034, 2074, 2083 |
| SVA | 2085 |
| Sylvania | 2054 |
| Symphonic | 2054 |
| Teac | 2058 |
| Technics | 2028 |
| Theta Digital | 2039 |
| Toshiba | 2029, 2055 |
| V, Inc. | 2019 |
| Urban Concepts | 2029 |
| Xbox | 2032 |
| Yamaha | 2028, 2036, 2037 |
| Zenith | 2029, 2042, 2076 |

| Setup Code for Cable | |
|----------------------|------------------------|
| ABC | 0002, 0003, 0006 |
| Americast | 0039 |
| Bell & Howell | 0006 |
| Bell South | 0039 |
| Clearmaster | 0038 |
| ClearMax | 0038 |
| Coolmax | 0038 |
| Daeryung | 0059, 0037, 0020, 0003 |

| Setup Code for Cable | |
|----------------------|------------------------------------|
| Digi | 0024 |
| Diector | 0019 |
| Dumont | 0024 |
| Gehua | 0019 |
| General Instrument | 0019, 0033, 0015, 0002, 0006 |
| GoldStar | 0010 |
| Hamlin | 0004, 0014 |
| Hitachi | 0006 |
| Jerrold | 0019, 0033, 0015, 0002, 0005, 0006 |
| KNC | 0003 |
| LG | 0010 |
| Memorex | 0001 |
| Motorola | 0019, 0033, 0015, 0046, 0050 |
| MultiVision | 0005 |
| Pace | 0059, 0012 |
| Panasonic | 0001, 0003, 0008 |
| Panther | 0024 |
| Paragon | 0001 |
| Philips | 0017, 0049 |
| Pioneer | 0059, 0037, 0010, 0022 |
| Pulsar | 0001 |
| Quasar | 0001 |
| RadioShack | 0038 |

| Setup Code for Cable | |
|----------------------|------------------------|
| Regal | 0016, 0014 |
| Runco | 0001 |
| Samsung | 0001, 0010 |
| Scientific Atlanta | 0059, 0037, 0020, 0003 |
| Sony | 0041 |
| Starcom | 0002, 0006 |
| Supercable | 0015 |
| Supermax | 0038 |
| Tocom | 0005 |
| Torx | 0002 |
| Toshiba | 0001 |
| Trans PX | 0015 |
| Tristar | 0038 |
| TS | 0002 |
| V2 | 0038 |
| Viewmaster | 0038 |
| Vision | 0038 |
| Vortex View | 0038 |
| Zenith | 0001, 0021, 0039 |

| Setup Code for Satellite | |
|--------------------------|------|
| AlphaStar | 0030 |
| Chaparral | 0011 |
| Crossdigital | 0043 |

| Setup Code for Satellite | |
|--------------------------|--|
| DirecTV | 0018, 0023, 0025, 0044, 0013, 0029, 0057, 0028, 0034, 0058, 0060, 0043, 0007, 0051, 0056, 0053, 0052, 0042 |
| Dish Network System | 0040, 0031, 0054 |
| Dishpro | 0040, 0031, 0054 |
| Echostar | 0040, 0031, 0054 |
| Expressvu | 0031 |
| GE | 0023 |
| General Instrument | 0036 |
| GOL | 0031 |
| Hisense | 0055 |
| Hitachi | 0034 |
| HTS | 0031 |
| Hughes Network Systems | 0044, 0029, 0057, 0053 |
| I-Lo | 0055 |
| JVC | 0031 |
| LG | 0052, 0045 |
| Magnavox | 0028, 0027 |
| Memorex | 0028 |
| Mitsubishi | 0029 |
| Motorola | 0036 |
| Next Level | 0036 |

| Setup Code for Satellite | |
|--------------------------|--|
| Panasonic | 0013, 0026 |
| Paysat | 0028 |
| Philips | 0044, 0029, 0057, 0028, 0060, 0027, 0007, 0053 |
| Proscan | 0018, 0023 |
| Proton | 0055 |
| RadioShack | 0036 |
| RCA | 0018, 0023, 0035, 0009, 0051 |
| Samsung | 0047, 0043, 0042 |
| Sony | 0025, 0056 |
| Star Choice | 0036 |
| Tivo | 0044, 0053 |
| Toshiba | 0029, 0057, 0032, 0048 |
| Ultimate TV | 0056, 0051 |
| Uniden | 0028, 0027 |
| US Digital | 0055 |
| USDTV | 0055 |
| Voom | 0036 |
| Zenith | 0058 |

| Setup Code for CD | |
|-----------------------|------|
| Aiwa | 3019 |
| Burmester | 3027 |
| California Audio Labs | 3004 |

| Setup Code for CD | |
|-------------------|------------------------------------|
| Carver | 3019, 3022 |
| Dkk | 3001 |
| DMX Electronics | 3019 |
| Dynamic Bass | 3022 |
| Fisher | 3022 |
| Garrard | 3027 |
| Genexxa | 3005 |
| Harman/ Kardon | 3019, 3020 |
| Hitachi | 3005 |
| Integra | 3013 |
| JVC | 3009 |
| Kenwood | 3030, 3003, 3007, 3006, 3023 |
| Krell | 3019 |
| Linn | 3019 |
| Magnavox | 3019 |
| Marantz | 3030, 3004, 3019 |
| MCS | 3004 |
| Miro | 3001 |
| Mission | 3019 |
| MTC | 3027 |
| NSM | 3019 |
| Onkyo | 3013 |
| Optimus | 3001, 3005, 3007, 3027, 3022 |

| Setup Code for CD | |
|-------------------|------------------------------------|
| Panasonic | 3004 |
| Parasound | 3027 |
| Philips | 3030, 3019 |
| Pioneer | 3038, 3005 |
| Polk Audio | 3019 |
| Proton | 3019 |
| QED | 3019 |
| Quad | 3004 |
| RCA | 3038, 3005, 3027, 3022, 3008 |
| Realistic | 3027, 3022 |
| Rotel | 3019, 3027 |
| SAE | 3019 |
| Sansui | 3019 |
| Sanyo | 3022 |
| SAST | 3049 |
| Sharp | 3007 |
| Silsonic | 3006 |
| Sonic Frontiers | 3019 |
| Sony | 3028, 3001, 3012 |
| TAG McLaren | 3019 |
| Tascam | 3027 |
| Teac | 3027 |
| Technics | 3004 |
| Victor | 3009 |
| Wards | 3019, 3008 |

| Setup Code for CD | |
|-------------------|------|
| Yamaha | 3006 |
| Zonda | 3019 |

| Setup Code for Audio Amp's | |
|----------------------------|------------|
| Bose | 3033 |
| GE | 3011 |
| JVC | 3059 |
| NEC | 3024 |
| Optimus | 3026 |
| Realistic | 3026 |
| Shure | 3024 |
| Sony | 3034 |
| Soundesign | 3011 |
| Victor | 3059 |
| Wards | 3011 |
| Yamaha | 3025, 3016 |

| Setup Code for Audio Amp / Tuner's | |
|------------------------------------|------------|
| ADC | 3029 |
| Aiwa | 3052, 3015 |
| Anam | 3057, 3039 |
| Audiotronic | 3042 |
| Bose | 3043 |
| Capetronic | 3027 |

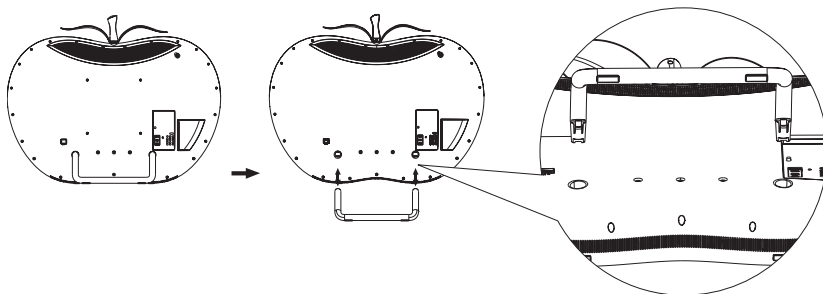
| Setup Code for Audio Amp / Tuner's | |
|------------------------------------|------------------------------------|
| Carver | 3042 |
| Denon | 3051, 3040 |
| Fonmix | 3051 |
| Harman/ Kardon | 3014 |
| Hitachi | 3047 |
| Integra | 3017 |
| JBL | 3014 |
| JVC | 3010 |
| Kenwood | 3050, 3056 |
| KLH | 3053 |
| Magnavox | 3042, 3046, 3029 |
| Marantz | 3042, 3046 |
| Onkyo | 3035, 3017 |
| Optimus | 3036, 3018, 3002, 3031, 3029 |
| Proscan | 3044 |
| Qisheng | 3057 |
| RCA | 3036, 3057, 3044, 3029, 3039 |
| Silsonic | 3021 |
| Sony | 3037, 3054, 3045, 3058 |
| Soundesign | 3032 |
| Stereophonics | 2025 |
| Sunfire | 3050 |

| Setup Code for Audio Amp / Tuner's | |
|------------------------------------|---------------------|
| Teac | 3049 |
| Technics | 3043, 3055 |
| Thorens | 3042 |
| Victor | 3010 |
| Wards | 3002 |
| Yamaha | 3021, 3048, 3041 |

Setting the TV on the Wall

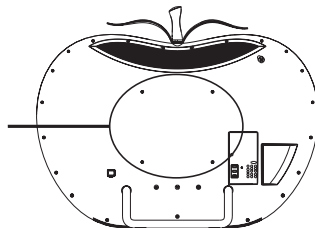
Disassembling the stand base:

- 1 Disconnect all the cables and cords from the TV to prevent breakage.
- 2 Carefully place the TV face down on a soft and flat surface (blanket, foam, cloth, etc) to prevent any damage to the TV.
- 3 Press the stand locks on both sides and remove the stand.



Wall mounting the TV:

- 1 Purchase a VESA compatible wall bracket: VESA 400 X 400, 4 holes, M4, 16 mm, 50 kg.
- 2 Locate your ideal TV position on the wall.
- 3 Fix the wall bracket firmly on the wall.
- 4 Secure the TV to the bracket using the 6 mount holes on the back and center of the TV.



Note:

- Please read the instructions of your specific wall bracket to properly wall mount the TV.
- The pitch of the mounting holes is 400mm horizontally and 400mm vertically.
- The screws type required is metric: M4, 16 mm length.
- The TV stand base can be screwed on a table or a hard surface using the hole on the back of the stand base.
- The leaves are meant as designs only, please do not remove.

**Installing the LCD TV requires special skill that should only be performed by qualified service personnel. Customers should not attempt to do the work themselves. please contact with Hannspeer dealers in wall mount bracket. You can ask a qualified service personnel about using an optional bracket to mount the TV to the wall. Please add rubber cover when this TV is mounted on the wall.*

Equipment to be used with for open site.

Free Manuals Download Website

<http://myh66.com>

<http://usermanuals.us>

<http://www.somanuals.com>

<http://www.4manuals.cc>

<http://www.manual-lib.com>

<http://www.404manual.com>

<http://www.luxmanual.com>

<http://aubethermostatmanual.com>

Golf course search by state

<http://golfingnear.com>

Email search by domain

<http://emailbydomain.com>

Auto manuals search

<http://auto.somanuals.com>

TV manuals search

<http://tv.somanuals.com>