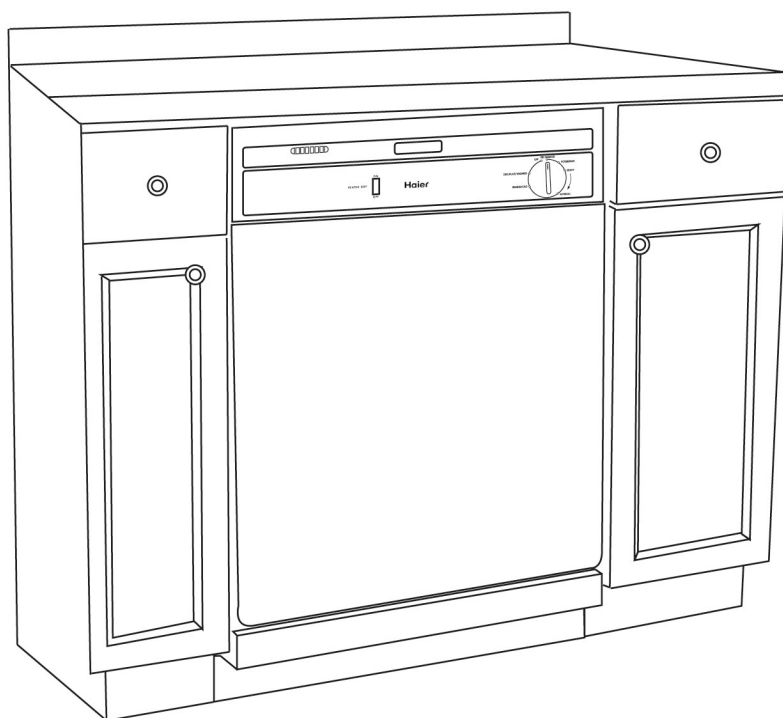


Built-In Dishwasher

Lave-Vaisselle Encastrable

Lavaplatos Empotrable



User Manual
Model # HDB24EA

Guide de l'Utilisateur
Modèle # HDB24EA

Manual del Usuario
Para Modelo de # HDB24EA

Haier Quality ■ Innovation ■ Style

English

IMPORTANT SAFETY INSTRUCTIONS

Warning – To reduce the risk of fire, electric shock, or injury to persons when using your appliance, follow basic precautions, including the following:

1. Read all instructions before using the appliance.
2. Use this appliance only for its intended purpose as described in this use and care guide.
3. Use only automatic dishwashing detergent and rinse agent recommended for use in this appliance and keep them out of the reach of children because they are corrosive and can be harmful.
4. This appliance must be properly installed in accordance with the installation instructions before it is used.
5. Never unplug your appliance by pulling on the power cord. Always grasp the plug firmly and pull straight out from the outlet.
6. Replace immediately worn power cords, loose plugs/power outlets.
7. Unplug your appliance before cleaning or before making any repairs.
8. Do not open the dishwasher door immediately after completion of wash process or during the operation as hot air/steam may cause personal injury. Press the door latch, wait few seconds by allowing cold air to go in and then open the door.
9. Do not operate your appliance in the presence of explosive fumes.
10. Do not add or mix any flammable or explosive substances to the wash.
11. Appliance loading door must be closed during the operation of the machine.
12. Do not operate your appliance when parts are missing or broken.
13. Do not use this appliance for commercial dishwashing purpose.
14. Do not operate this appliance unless all enclosure panels are properly in place.
15. Do not tamper with controls.
16. To reduce risk of injury do not allow children to play in or on the appliance. Close supervision of children is necessary when the appliance is used near children.
17. This appliance must be connected to proper electrical outlet with the correct electrical supply.
18. Proper grounding must be ensured to reduce the risk of shock and fire. **DO NOT CUT OR REMOVE THE GROUNDING PLUG.** If you do not have a three-prong electric receptacle outlet in the wall, have a certified electrician install the proper receptacle. The wall receptacle **MUST** be properly grounded.
19. Hydrogen gas may be produced if the water heater has not been used in more

1

then 2 weeks. This could be explosive and can explode under certain circumstances. If this is the case, turn on all the hot faucet and let the hot water run for a few minutes before using this appliance. This will let the trapped hydrogen escape. To avoid an accident, as hydrogen gas is flammable and can explode, do not turn on an electric appliance, smoke, light a match/lighter or use a flame.

20. Do not repair or replace any part of the appliance or attempt any servicing unless specifically recommended in the user-repair instructions that you understand and have skills to carry out.
21. To reduce the risk of electric shock or fire, do not use extension cords or adapters to connect the unit to electrical power source.
22. Do not wash any heat sensitive or any other items that are not designed for automatic dishwasher. Items not dishwasher safe could become deformed or melt and create a potential fire hazard.
23. Do not use this dishwasher outdoors.
24. Do not leave the dishwasher door open to dry dishware while children are around the counter. Close supervision and observation needed when children are around the dishwasher.
25. Do not abuse, sit on or stand on the door or dish rack of the dishwasher.
26. Do not touch the heating element during or immediately after use, it may be very hot.
27. Load sharp objects such as knives and forks upside down to reduce the risk of cut type injuries.
28. Do not wash plastic items unless they are marked dishwasher safe. Check the manufacturer's recommendations for items not marked.
29. Do not load sharp items near the door; you could damage the door seal.
30. When removing an old dishwasher from service or discarding it, remove the front door.
31. Disconnect electrical power and water inlet hose to dishwasher before servicing.

**SAVE THESE INSTRUCTIONS
FOR FUTURE USE**

English

Table Of Contents

	PAGE
SAFETY INSTRUCTIONS	1-2
Knowing Your Dishwasher	4-5
Using Your Dishwasher	6-13
Dishwasher Safe or Hand Wash	14-16
Care & Cleaning Of Your Dishwasher	17
Troubleshooting	18-21
Warranty	22

Thank you for using our Haier product. This easy-to-use manual will guide you in getting the best use of your dishwasher.

Remember to record the model and serial number. They are on a label on the door of the dishwasher.

_____ *Model number*

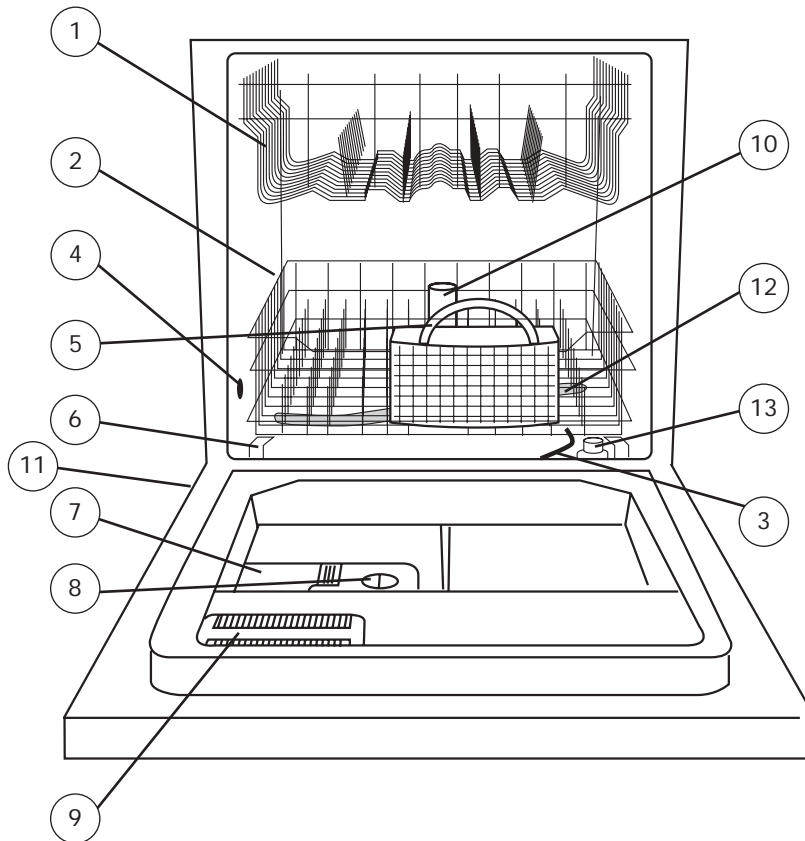
_____ *Serial number*

_____ *Date of purchase*

Staple your receipt to your manual.
You will need it to obtain warranty service.

All figures in this use & care manual are for illustration purposes only. The illustrated parts shown in figures may be different on the actual unit. Specifications and features are subject to change without prior notice.

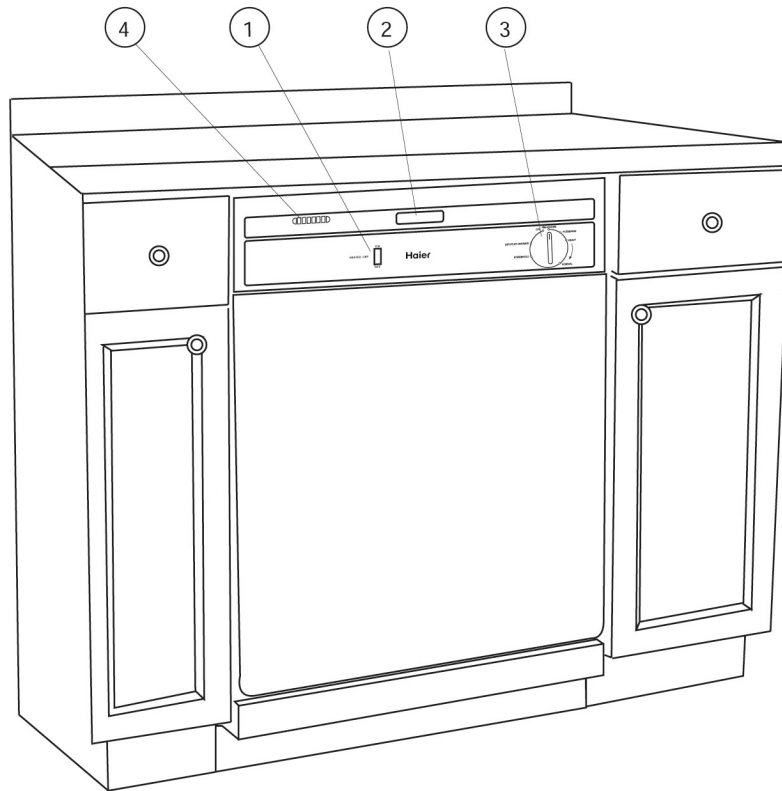
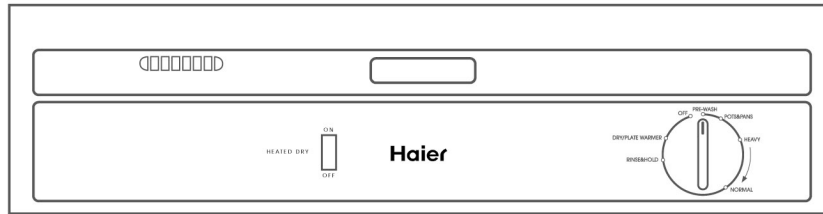
Knowing Your Dishwasher Parts and Features



- | | |
|--------------------------------------|---|
| 1. Top rack | 8. Rinse aid dispenser |
| 2. Bottom rack | 9. Vent |
| 3. Heating element | 10. Spray tower |
| 4. Water inlet opening (in tub wall) | 11. Model and serial number label |
| 5. Silverware basket | 12. Lower spray arm |
| 6. Rack bumper | 13. Overfill protection float |
| 7. Detergent dispenser | 14. 4 Adjustable leveling legs
(not shown) |

English

(Front view with door closed)



- 1. Heat dry [on/off]
- 2. Door handle
- 3. Cycle selector knob
- 4. Air Vent

5

Using Your Dishwasher

Dishwasher Control Panel

Heated Dry button:

- Press "Heated Dry" button to turn the feature "ON" or "OFF".



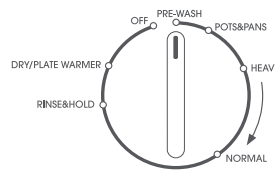
Door latch

- To lock the door, push the door with light force until you hear the "click".
- To unlock the door, squeeze the door latch and pull towards you.



Cycle selector knob

- To select a wash cycle, turn the knob "CLOCKWISE" to your desired setting by matching the knob "Pointer" symbol to the cycle. Once both are lined up, the wash process begins.



Warning: The wash selector knob is designed to work only in a clockwise direction. DO NOT turn the knob "COUNTER CLOCKWISE." Turning in a counter clockwise direction may cause damage to the wash selector.

Selecting wash cycles

- Select the appropriate cycle based on the load and soil level. For your convenience, the dishwasher has Prewash, Pots & Pans, Heavy Normal, and Rinse & Hold wash cycles that you can select from.

Prewash

- This is used for an extremely heavy soiled load.

Pots & Pans Wash Cycle

- This cycle is used for heavily soiled pots & pans, hard to clean cookware, dishware, silverware and glassware items with dried-on or baked-on soils.

Note: This cycle may not remove burned-on foods.

Heavy

- Use this cycle for a fully loaded and a heavily soiled load.

Normal Wash Cycle:

- This cycle is used for normal amount of soiled dishware, glassware and silverware.

Rinse & Hold Cycle:

- This cycle is used for rinsing partial loads that will be washed later
Note: *Do not use detergent or Heated Dry feature with the Rinse & Hold cycle.*

Dry/Plate Warmer Cycle:

- To use plate warmer feature, fill the racks with **clean, dry plates**. Turn the control knob to dry and put the Heated/Dry to the "on" position. When the cycle is complete, the dishes will be warm and ready for serving.
Note: *Handle with care for some plates may be too hot to handle with bare hands.*

Heated dry option

- Activating this option will turn on the heating element to hasten the drying process.

Wash process

1. Load all the items in the racks and silverware basket as needed.
Note: *Covering the spray tower will affect the cleaning of the wash load. The spray arm must be able to properly rotate freely. Make sure that the pot handles and other like items do not interfere with the rotation.*
2. Pour the proper amount of detergent into the detergent dispenser.
3. Close the door until you hear it click shut.
4. If you need to use the "Heat dry" option, you must do so before setting the wash cycle.
Note: *This option must not be selected with Rinse & hold cycle.*
5. Select the desired wash cycle. The wash process will begin at this time.

Warning: Keep children away from the machine when the door is opened because the moist hot air exiting out of the door may cause harm.

Pausing a wash cycle

If you need to pause the dishwasher in the middle of the cycle to add or remove any items:

1. Open the door by squeezing the door latch slowly.
Note: *Be careful moist hot air may rise out of the dishwasher.*
2. Add or remove items. Once you have finished adding or removing, simply close the door.
3. The washing cycle will now be resumed. **Open door protection**
Dishwasher will stop automatically if the door is opened during the operation. Once the door is closed the cycle will resume automatically.

Preparing to Wash Dishes

To get best results, practice the following before you put dishware in the dishwasher:

- Discard big chunks of food from the plate before loading.
- Remove sticky foods and loosen burned-on foods before loading.
- Empty liquids such as juice, soup, soda, coffee or tea from glasses and cups before loading.
- Rinse off acid based liquid, such as vinegar or lemon juice right a way.
Failure to do so may cause discoloration to plates, food containers and internal cabinet.
- It is not necessary to rinse the dishes before loading the dishwasher.
Food particals in the dishwasher will be disposed of by the built-in food disposal.



Tips to avoid stains and films

The following suggestions are recommended to prevent stains and films on dishware and utensils:

- Some citric based food products, coffee, tea and iron deposits in water can cause a yellow or brown film on the inside surface if left for a long time period.
- You must check water hardness to measure the amount of detergent needed to wash. If water is extremely hard, then it may be causing stains on items. You may need to use a water softener.
- Do not overload the dishwasher.
- Use the recommended water temperature to wash dishware.

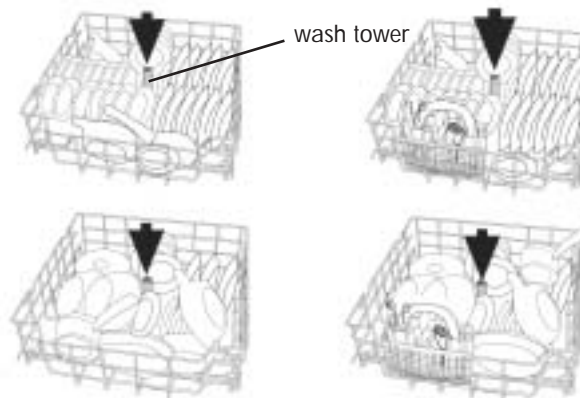
- Do not use too little detergent.
- Do not use old or damp powder detergent.
- Do not load aluminum utensils improperly. Aluminum utensils can cause gray or black marks to appear on porcelain utensils if they are touching during wash cycle.

Loading the lower & upper rack



(upper rack)

Note: Do not wash any heat sensitive or any other items that are not designed for automatic dishwasher.



(lower rack)

- Keep all tall dishware and food containers from covering the spray tower.
- Place food containers such as cups, glasses, bowls, saucepans and casserole dishes with soiled surface facing downward.
- To avoid any type of damage to glassware such as cups, beverage, wine and champagne glasses, do not load them on the bottom rack. Place these items on the upper rack.
- Do not load dishware or food containers that are made of wood or iron. These items are not considered dishwasher safe.
- Place delicate items on the upper rack.
- All dishware and glassware items should be securely in place when loading to avoid falling over or striking against each other.

Proper Use of Detergent

- The amount of detergent to use depends on the type of water in your area. Hard or soft water and if items are lightly or heavily soiled will affect the amount of detergent to use.
- Water softness or hardness is measured in grains content per gallon (gpg). You can find out the gpg level by calling your local Environmental Protection Agency (EPA) in your county.
- If you find that the gpg level is higher in the water, then the water will be harder in your living area. You will need more detergent to clean. If gpg level is lower, then the water will be softer in your living area so you will need less detergent to clean.

See the following table to understand the "water hardness type" and gpg level.

Water hardness type	gpg
hard	10+
medium	4-9
soft	0-3

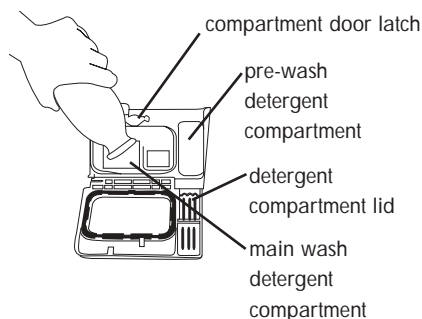
Note: *If gpg level is over 12, then water is very hard. You may need water softener to improve the water quality and the performance of your dishwashing.*

The quality of the detergent will make a big difference in the cleaning of dishes. Detergent that is damp or too old will not give an effective clean because the active ingredients are phased off.

Note: *Use only "Automatic Dishwasher Detergent" for your dishwasher. Other types of detergents that are not for dishwasher use may cause over suds and foaming. Do not use detergents that are dried, caked or moist. These types of detergents will not dissolve properly*

Filling Dishwasher Detergent

Use the recommended amount of detergent for your wash loads. Measure and pour the detergent into the large compartment for the main wash. The detergent for the pre-wash goes into the small compartment next to the main wash compartment. Push the cover latch in to open dispenser compartment door.



Note: For the pre-wash you should use one-half the amount of detergent that you use for the main wash.

- We recommend that you use a **Rinse Agent** to help remove spots and prevent new film build-up on your dishes, glasses, flatware, cookware and plastic.

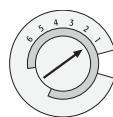
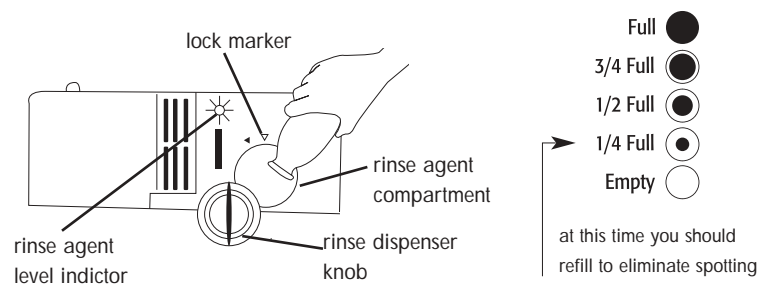
Note: Use only a liquid form of rinse agent in the dispenser.

Pouring liquid rinse agent into the dispenser

Use the recommended amount of rinse agent for your wash loads. The rinse agent dispenser is located next to the detergent dispenser. During the wash cycle, it automatically releases a preset amount of rinse agent during the last rinse cycle.

To fill rinse agent in the dispenser turn the knob on the dispenser in a counter clock direction. One the knob is lined up with the marker pull off the knob. Now you can pour liquid rinse agent in the dispenser.

When the dispenser is full, the see through rinse agent level indicator will be dark. When it is empty, it will be clear which means you need to pour in more.



Note: A full dispenser should last approximately one month. If you want to adjust the amount of rinse agent dispensed, the dispenser has 1 to 6 levels that you can adjust to. Simply rotate the dial to your desire settings.

Checking water temperature

- The minimum incoming temperature must be at 120°F/49°C in order for the detergent to dissolve properly.

If you are unsure of the temperature of your hot water:

1. Open the hot water faucet and let it run for a minute and fill a glass.
2. Take a thermometer and check the temperature of the water.
3. If the temperature is below the recommended 120°F / 49°C, then you need to adjust the water temperature on your water heater in order to maintain that temperature level.

Overflowing protection

- In case the water level is rising above the highest acceptable point, the security pressure switch will activate the drain pump automatically.

Cycle selection chart

Turn the cycle control knob to the desired cycle. If the door is properly closed the cycle will start.

Turn the cycle knob to rinse and hold to use this feature. DO NOT activate the heated dry option while using this feature. Do not use detergent in this cycle.

cycle	pre-wash	wash	rinse	main wash	purge *	final rinse	dry
Pre-wash	•	•	•	•	•	•	•
pots & pans		•	•	•	•	•	•
heavy wash			•	•	•	•	•
normal wash				•	•	•	•
rinse & hold					•		

- * Small amounts of water run through the pump to remove soil particles.
- Shows what steps are there in each cycle. Cycle time includes dry time. Cycle time may be longer depending on the temperature of the water entering the dishwasher.

Note: Cooler the water, longer the cycle time.

English

Canceling a cycle

A cycle can be cancelled at any time by slowly turning the cycle selector knob clockwise till the dishwasher starts to drain. After draining open the door and turn the selector knob to the off position.

Changing a cycle

A cycle can be changed at any time by lifting door latch to stop the cycle. If desired, at this time change the heated dry option. Turn the selector knob to the required cycle. Turning the cycle selector knob can cause the detergent dispenser to release the detergent. Check the detergent dispensers. They must be filled for the new cycle. Close the door till it firmly latches. The dishwasher now starts a new cycle.

Drying

During the drying cycle you will see steam escaping through the vent located on the upper left side of the dishwasher door. This is normal as heat dries the wash load.

CAUTION: The vapor is hot. DO NOT touch the vapor or the vent during the drying process.

Overfill protection float

This protection float is situated in the front right corner of the dishwasher tub. It keeps the tub from over filling. Check under the float to remove objects that may prevent it from moving up or down.

Dishwasher Safe or Hand Wash

Material type	Dishwasher Safe		Comments	Explanations
	yes	no		
Aluminum	x		Some restrictions apply. Read manufacturer's washing instructions before loading.	Materials such as anodized aluminum may fade or become dark in hot water temperature. Some discoloration may appear. Load aluminum items away from other type of materials items because they can cause gray or black marks.
Cast Iron		x	Not recommended - hand wash only, dry immediately after washing.	Iron will rust in water and the seasoning will be lost due to the hot water temperature.
Chinaware	x		Some restrictions apply. Read manufacturer's washing instructions before loading. Note: Only if stated "Dishwasher Safe" (Some restrictions apply.)	You can wash "Chinaware" items that are without decoration. You can wash "Chinaware" items with decoration protected by special type of "Glaze". Any type of "Pattern" on top of glaze with gold or silver lining or design may fade in hot water temperature. Load these type of items away from each other to avoid scratches and damage.
Copper	x		Read manufacturer's washing instructions before loading.	Load copper items away from stainless steel items. Do not mix copper and silver items in the same basket. They can easily discolor.
Crystal		x	Not recommended - hand wash only, dry immediately after washing.	Certain type of "Lead Crystal" may etch in high hot water temperature. Do not wash "Antiques" and "Very Delicate" items in the dishwasher. Crystal Items are recommended to be washed in low temperature setting. When loading, make sure they are securely in place to avoid falling over and knocking against other dishware items during the wash process.

English

Dishwasher Safe or Hand Wash (continued)

Material type	Dishwasher Safe		Comments	Explanations
	yes	no		
Dirilyte (gold colored flat ware)		x	Not recommended - hand wash only. Read manufacturer's washing instructions before loading.	These items may become discolored.
Disposable Plastic		x	Not recommended - hand wash only. Read manufacturer's washing instructions before loading.	These items are not made for machine wash.
Glassware	x		Some exceptions and restriction apply. Read manufacturer's washing instructions before loading.	You may wash some glassware items to avoid stains. Empty liquids such as juice, soup, soda, coffee or tea from glasses and cups before loading.
Knives		x	Not recommended - hand wash only in cold water. Note: Sharp knives can become dull in hot water temperature. Read manufacturer's washing instructions before loading.	Sometimes the knife "Handle" (wood or other type of materials) may crack, loosen or wear out in hot water temperature.
Lead Crystal		x	Not recommended - hand wash only. Read manufacturer's washing instructions before loading.	These items may "Etch" if machine washed.
Non-Dishware	x		Some exceptions and restriction apply. Read manufacturer's washing instructions before loading. Note: Only if stated "Dishwasher Safe".	Never machine wash items such as electronic "air cleaners/filters" of any kind of small electronics/appliances.
Non-Stick Coatings	x		Not recommended - hand wash only. Read manufacturer's washing instructions before loading.	After wash, it is recommended that you wipe off the non-stick surface area with vegetable oil to maintain its non-stick quality.
Pewter		x	Not recommended - hand wash only. Read manufacturer's washing instructions before loading.	This will stain or discolor if machine washed.

Dishwasher Safe or Hand Wash (continued)

Material type	Dishwasher Safe		Comments	Explanations
	yes	no		
Plastic	x		Only if stated "Dishwasher Safe". Read manufacturer's washing instructions before loading.	Place plastic items away from sharp items to avoid damage. It is recommended to place plastic items on the top rack. Do not heat dry. Do not wash "Disposable" plastic items.
Silver & Silver Plated	x		Note: Rinse these items immediately. If you are going to wash them later because acidic or salty foods may stain if left on for long time.	Do not place silverware and stainless steel items in the same basket. Silverware items may get damaged if they come in contact with stainless steel items.
Stainless Steel	x		Note: Rinse these items immediately if you are going to wash them later because acidic or salty foods may stain if left on for a long time. Note: Do not mix stainless and silverware items. Read manufacturer's washing instructions before loading.	Do not place silverware and stainless steel items in the same basket. Silverware items may become damaged if they come in contact with stainless steel items. Do not load different types of "Stainless" items in the same load/basket.
Metal		x	Not recommended. Note: It will rust. Read manufacturer's washing instructions before loading.	Do not wash "Metal Tin" in the dishwasher.
Wood		x	Not recommended. Note: Only if stated "Dishwasher Safe" Read manufacturer's washing instructions before loading.	Wood may crack or lose its shape in machine wash due to the hot water temperature condition.

Care & Cleaning of Your Dishwasher

General cleaning and maintenance

- Do not use abrasive, harsh cleaners, solvents, concentrated detergents or metal scouring pads to clean the inside of dishwasher.
- Use warm soapy water with a soft brush or a piece of cloth to clean the interior of a tub.
- Clean around the tub gasket with a damp cloth.
- When cleaning the control panel, use a slightly dampened cloth to wipe. Then dry thoroughly.
- When cleaning the door, use slightly soapy water with a soft piece of cloth.
- Do not use any sharp objects that can scratch the cabinet surface.

Preventing your dishwasher from freezing

To protect your dishwasher if it is left in an unheated place during the winter.

- Shut off electrical power to the dishwasher.
- Turn off the water supply and disconnect the water inlet line from the water valve.
- Do not install or operate your dishwasher where the temperature is below freezing.
- If you receive a delivery of a dishwasher when the outside temperature is below freezing, do not operate it until the dishwasher has warmed to room temperature.

Storage of your dishwasher in a cold environment

- You must store the dishwasher at room temperature.

Drain Air Gap

Some states or local plumbing codes require the addition of a drain air gap between the built in dishwasher and the drain. If the drain is clogged the air protects the dishwasher from water backing up into it.



The drain gap is usually located on the top of the sink or the counter top near the dishwasher.

Troubleshooting

Dishwasher does not work

- Check if the circuit breaker needs to be reset or if the fuse needs to be replaced.
- Check if the unit is in "OFF" mode.
- Check if the door is open. You may need to close the door properly.

Dishware and glassware/flatware are cloudy and not properly cleaned

- Use of old or poor detergent.
You need to make sure that detergent is fresh.
- The water may be hard in your area.
You may need to install a water softener.
- Spray arm may be blocked.
You may need to rearrange dishware and utensils.
- Water pressure may be low.
You may need to adjust the water pressure.
Make sure it is between 20 to 120 (PSI).
- Water temperature may be lower than what is recommended.
(120 Degree F / 49 Degree C) You may need to adjust the water temperature on your water heater.
- Overloading of dishware.
You may need to rearrange or remove some dishware from the load.
- (May have selected wrong cycle.) Inappropriate cycle selection.
You may need to select the proper cycle.

Dishes are not dry

- Low water temperature. You may need to regulate the water temperature to 120°F / 49°C or select Heated Dry option.
- Make sure the rinse agent dispenser is filled and the proper amount is used.
- Avoid nesting and do not overload.
- Load items in a tilted position if possible so the water will run off easily.
- Dishware washed in higher temperatures will dry faster.
- Some plastic materials may need to be towel dried.

Dishware is chipped

- This is due to poor loading or overloading. You need to be careful when loading. Do not overload. You need to place the glassware securely against the pins. Make sure delicate items are on the side rack. We recommend that fine chinaware or crystal items be hand washed.
- Do not jam the glassware items together when loading.
- Place delicate items on the upper rack.
- Move racks slowly in and out to avoid slamming the dishware items together.
- Make sure all dishware and glassware items are securely in place when loading to avoid falling over or striking against each other.

Noise

Some of the sounds you will hear are normal.

- You will hear the sound of the water fill and rinse.
- You will hear the drain pump motor operation to pump water out.
- You will hear the motor stopping at the end of the cycle.
- If some utensils are not secure in the rack, you will hear that they are being tossed around the tub.

Over Sudsing

This is due to the use of regular hand washing detergent.

Detergent used should be for "Automatic Dishwasher Use". You must use the proper detergent for best dishwashing results.

Dishware Odor

- This is due to an incomplete cycle.
You need to allow the cycle to be fully completed.
- New scented detergent used.
This is normal because different types of detergents may have different fragrances.

Etching

- Too much detergent used.
Use the appropriate amount of detergent. Reduce the amount of detergent used per load.
- The water temperature is too hot.
You need to lower the water temperature.
- Use of old detergent.
Read the expiration date. Avoid using old detergent. Use only fresh detergent.
- Do not pre-rinse the dishes.
Simply scrape off large food particles

Stained interior tub

- Some detergents contain colorant known as "pigments" or "dyes" that will discolor the tub with extended use. You need to change the detergent to one without a colorant. Read the label carefully before using the detergent.
- Some acid based and paste based foods may discolor the tub. Use of the rinse cycle may help to decrease the level of staining.

Spots & filming found on flatware/glassware

This is due to:

- Use of too little detergent.
- Low incoming water temperature and pressure.
- Improper loading.
- Use of old, moist and damp powder detergent.
- Hard water in your area.

Water

Draining Problem

- Check the level of the drain hose. The drain hose should be positioned above the drain in order to drain properly. Make sure it is on a high drain loop (20") above the sub floor or floor.
- If the drain hose is bent or shrunken, it may affect water draining.
- If water can not be drained out smoothly, the dishwasher operation will be affected and it may stop in the middle of the cycle.
- Make sure that the wash cycle is fully completed before you opened the dishwasher door.
- Make sure that the air gap is not blocked.
- If the unit is connected to a garbage disposer, make sure that it is not full. If it is, you need to empty it.
- Check for any type of blockage near the drain.
- If the water backs up into the sink, you need to check the garbage disposer and the trap for blockage.
- It is normal to find some water in the sump area near the drain.

Dishwasher is leaking

- Dishwasher is not properly leveled.
You need to place the dishwasher on a flat hard surface. Avoid an uneven surface.
- Make sure the dishwasher is properly leveled. (See the installation instructions)
- Do not overfill the detergent or the rinse agent dispenser because it will cause over sudsing and overflowing.
- Do not use regular type hand or dish washing detergent in the detergent dispenser. These types of detergents are not recommended for dishwasher use.

Dishwasher will not fill

- Check the water supply.
Make sure that the water supply is in "ON" position.
- Check water pressure. Make sure the water pressure is at the proper level. (Between 20 – 120 PSI)
- Is the overfill protection float able to move up and down freely. If not, press down to release.

Detergent found in the compartment

- Do not load items too close to the detergent compartment. This may block the automatic release of the detergent.
- Do not use old or caked/dried detergent in the compartment because it will not dissolve properly and will leave a sandy residue on dishware.
- Is the cycle complete? The cycle may not be complete.

Dishwasher is running for too long

- The temperature of incoming water is below 120°F. Raising your water heater setting will help to shorten the time of operation.
- Call the Haier Customer Satisfaction Center if this does not resolve the problem.

Limited Warranty

In-Home Service

1 Year Warranty

For 12 months from the date of original retail purchase, Haier will repair or replace any part free of charge that fails due to a defect in materials or workmanship, including labor.

2 Years Limited Warranty Water Distribution System (Parts Only)

For 24 months from the date of original retail purchase, Haier will replace any parts in the water distribution system which fail due to manufacturing defect. This includes the pump, motor, lower wash arm, middle wash arm and the wash tower upper sprayer with associated supply tube and filters.

NOTE: Associated outside inlet and drain plumbing parts are not covered by this warranty.

Vinyl Coated Racks (Parts Only)

For 24 months from the date of original retail purchase, Haier will replace vinyl-coated upper or lower rack that peels or rusts due to a manufacturing defect.

Rotary or Electromechanical Control (Parts Only)

For 24 months from the date of original retail purchase, Haier will replace rotary/electromechanical control that fails due to a manufacturing defect.

NOTE: This warranty commences on the date the item was purchased and the original purchase receipt must be presented to the authorized service representative before warranty repairs are rendered.

Exceptions: Commercial or Rental Use Warranty

90 days labor from date of original purchase
90 days parts from date of original purchase
No other warranty applies

For Warranty Service

Contact your nearest authorized service center. All service must be performed by a Haier authorized service center. For the name and telephone number of the nearest authorized service center please call 1-877-337-3639.

Before calling, please have the following information available:

Model number and serial number of your appliance (found on the door of the unit on the left hand side).
The name and address of the dealer you purchased the unit from and the date

of purchase.

A clear description of the problem.

A proof of purchase (sales receipt).

This warranty covers appliances within the continental United States, Puerto Rico and Canada. What is not covered by this warranty:

Replacement or repair of household fuses, circuit breakers, wiring or plumbing.
A product whose original serial number has been removed or altered.

Any service charges not specifically identified as normal such as normal service area or hours.

Damage to dishware.

Damage incurred in shipping.

Damage caused by improper installation or maintenance.

Damage from misuse, abuse accident, fire, flood, or acts of nature.

Damage from service other than an authorized Haier dealer or service center.

Damage from incorrect electrical current, voltage or supply.

Damage resulting from any product modification, alteration or adjustment not authorized by Haier.

Adjustment of consumer operated controls as identified in the owners manual.

Hoses, knobs and all attachments, accessories and disposable parts.

Labor, service transportation, and shipping charges for the removal and replacement of defective parts beyond the initial 12-month period.

Damage from anything other than normal household use.

Any transportation and shipping charges.

THIS LIMITED WARRANTY IS GIVEN IN LIEU OF ALL OTHER WARRANTIES, EXPRESSED OR, INCLUDING THE WARRANTIES OF MERCHANTABILITY AND FITNESS FOR A PARTICULAR PURPOSE

The remedy provided in this warranty is exclusive and is granted in lieu of all other remedies.

This warranty does not cover incidental or consequential damages, so the above limitations may not apply to you. Some states do not allow limitations on how long an implied warranty lasts, so the above limitations may not apply to you.

This warranty gives you specific legal rights, and you may have other rights, which vary, from state to state.

Haier America
New York, NY 10018

Instructions importantes de securite

Caution: Afin de reduire les risques de chocs electriques ou de blessures aux personnes qui utilisent cet appareil, les precautions suivantes doivent etre prises:

- 1) Lisez toutes les instructions avant d'utiliser l'appareil.
- 2) Utilisez cet appareil uniquement pour la fonction pour laquelle il a été conçu, conformément aux prescriptions du manuel d'emploi et de sécurité.
- 3) Utilisez uniquement du détergent pour lave-vaisselle automatique et de l'agent de rinçage recommandés pour cet appareil.. gardez ces produits hors de la portée des enfants car ils sont corrosives et peuvent être dangereux.
- 4) Cet appareil doit être convenablement installé conformément aux instructions d'installation avant d'être utilisé
- 5) Ne jamais débrancher l'appareil en tirant sur le cordon d'alimentation , tenir fermement la fiche et la retirer tout droit de la prise
- 6) Remplacez les cordons d'alimentation abîmés, les fiches ou les prises lâches.
- 7) Débranchez votre appareil avant de nettoyer ou de réparer
- 8) N'ouvrez pas la ported u lave-vaisselle immédiatement après l'achèvement du lavage , ou pendant l'opération, comme l'air /vapeur chaude peut causer des blessures personnelles..Appuyez sur le loquet de la porte de l'appareil pendant quelques secondes afin de de permettre a l'air froid de penetrer dans l'appareil puis en ouvrir la porte.
- 9) Ne jamais faire fonctionner l'appareil en présence de vapeurs explosives.
- 10) Ne pas ajouter ou mélanger des inflammables explosive substance au lavage
- 11) La porte de chanftement d'appareil doit être fermée pendant l'opération de la machine
- 12) Ne pas operer la machine s'il ya des parties qui manquent ou sont cassées
- 13) Ne pas utiliser cette machine pour le but de lave-vaisselle commerciale
- 14) Ne pas operer cette machine a moins que tous les panneaux de cloture sont convenablement a leur place.
- 15) Ne pas forcer sur les boutons de commande.
- 16) Pour reduire le risqué de blessures ne permettez pas aux enfants de jouer pres ou sur la machine . La supervision d'enfants est necessaire quand la machine est utilisée.
- 17) Cet appareil doit être connecté a une prise de courant repondant aux caracteristiques d'alimentation appropriées..
- 18) Assurez une mise a la terre adequate afin de reduire les risques de chocs electriques ou d'incendie.. Ne pas enlever la broche de mise a la terre de la fiche.Si vous ne disposez pas d'une prise murale a tois bornes, faites-en

installer une par un electricien qualifie. La prise murale doit etre correctement mise a la terre.

- 19) Le gaz d'hydrogene peut etre produit si l'appareil de chauffage d'eau n'a pas ete utilise dans plus de 2 semaines. Ca peut etre explosive et peut exploser sous les circonstances. Si ca est le cas, ouvrez tous les robinets chauds , laissez l'eau couler pour quelques minutes avant d'utiliser la machine. Ca aidera le gaz d'hydrogene a s'evaporer. Pour eviter un un accident , car le gaz d'hydrogene est inflammable et peut exploser, n'allumez pas des allumettes, un briquet ou une flame.
- 20) Ne pas repare l'appareil ou remplacer un quelconque de ses composants et ne pas essayer d'effectuer un entretien auter que celui specifiquement recommande dans le manuel d'instructions de l'utilisateur a condition d'en avoir compris la procedure d'entretien et d'avoir la competence pour le faire...
- 21) Ne pas utiliser de rallonges ou d'adapteur pour raccorder l'appareil a la source d'alimentation electrique
- 22) Ne pas lavez des articles sensibles a la chaleur ou non concus pour aller dan le lave-vaisselle
- 23) Ne pas employer le lave-vaisselle a l'exterieur
- 24) Ne pas laisser la porte du lave-vaisselle ouverte pour permettre a la vaisselle du secher quand les enfants sont autour du comptoir , dans ce cas une super vision et une attention particuliere sont requises.
- 25) Ne pas s'asseoir ou se tenir sur la porte du lave-vaisselle.
- 26) Ne pas utiliser d'element chauffant durant ou immediatement apres l'utilisation de l'appareil
- 27) Placez les objets tranchants tels que les couteaux et fourchettes avec la manche vers le haut afin de reduire le risque de blessures
- 28) Ne pas lavez des objets en plastic afin qu'il ne soient concus pour le lave-vaisselle.Referrez vous au recommandations du fabricant pour les objets qui ne sont pas marques
- 29) Ne pas charger des objets tranchants pres de la ported u lave-vaisselle. Vous pouvez domager l'insulation de la porte
- 30) Quand vous deplacer ou vous vous debarrassez d'un vieil lave-vaisselle, enlevez la porte .
- 31) Debrancher l'alimentation electrique et le tuyau d'arrivee d'eau avant de faire l'entretien de l'appareil

**Gardez ces intrustions
le futur usage**

Français

Table de matieres

	PAGE
Instructions de securites	23-24
Connaitre votre lave-vaisselle	26-27
Utilisant votre lave-vaisselle	28-35
Lave-vaisselle en securite ou lavez a la main	36-38
Soins et nettoyage du lave-vaisselle	39
Depannage	40-43
Garrantie	44

Nous vous remercions pour l'usage de notre produit Haier.. Ce manuel facile a utiliser vous dirrigera en recevant le meilleur usage de notre machine.

Numero du model

Numero du serial

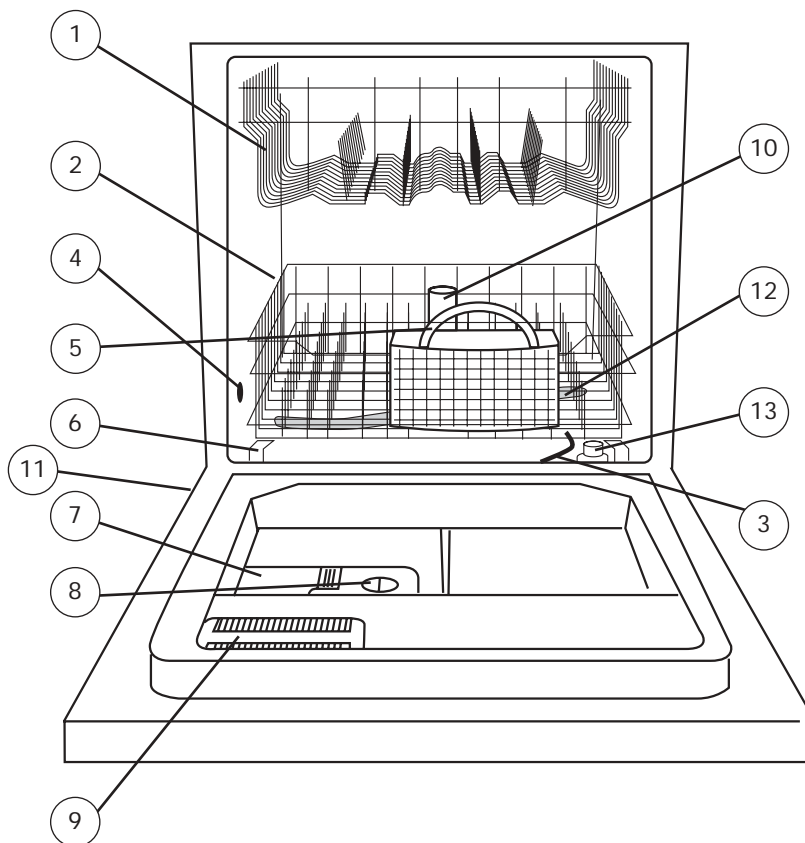
Date d'achat

Agrafer le ticket de caisse au guide.

Il devra être présenté pour tout service après-vente sous garantie.

Connaitre votre lave-vaisselle

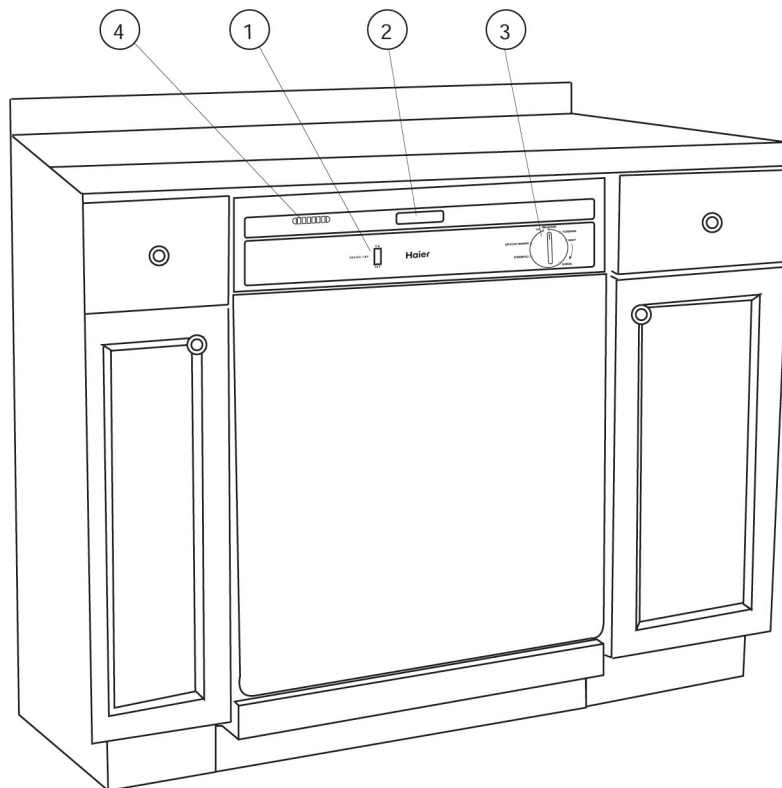
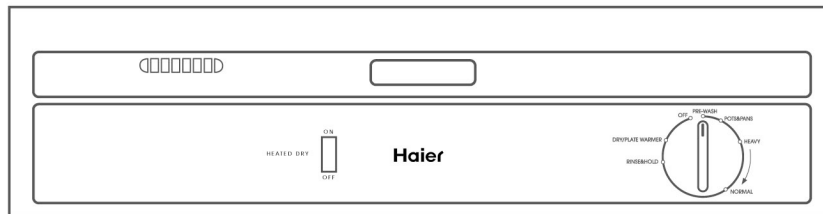
Parties et les caracteristiques.



- | | |
|--|--|
| 1. Egouttoir superieur | 9. Event |
| 2. egouttoir inferieur | 10. Tour de jet d'eau |
| 3. Element de chauffage | 11. Etiquette du model et
sereal numero |
| 4. Ouverture d'arrivee de l'eau
(dans le panier de la cuve) | 12. Bras glisseur inferieur |
| 5. Panier pour argenterie | 13. Dispositif antidebordant |
| 6. Pare-choc du porte-vaisselle | 14. Mises a niveau les 4 piesds
(Pas de figure) |
| 7. Doseur du detergent | |
| 8. Doseur d'agent du rinsage | |

Français

(Front view with door closed)



- 1. Chaleur seche {ouvert/ferme}
- 2. Poignée de porte
- 3. Bouton de selectionneur du cycle
- 4. Prise air

Utilisant votre lave-vaisselle

Panneau de control du lave-vaisselle

Bouton pour chaleur seche

Pressez le bouton de Chaleur Seche pour achever le "On ou Off".

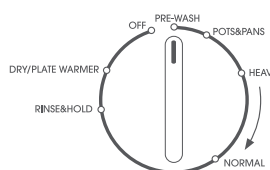


Loquet de la porte

- Pour verrouiller la ported u lave-vaisselle,poussez la porte gentiment jusqu'a ce que vous entendiez le "click"
- Pour ouvrir la porte,serrez le loquet de la porte et tirez envers vous

Le bouton de selection du lavage

- Pour choisir un cycle de lavage tournez le bouton dans le sens des aiguilles d'une montre au reglage desire en faisant coincider le symbole du "pointier" du bouton au cycle choisi.Une fois les 2 alignes , le lavage commence.



Caution: Le bouton selector de lavage est designe pour travailler seulement dans le sens des aiguilles d'une montre. Ne Jamais tourner le bouton dans le sens inverse des aiguilles d'une montre. Si c'est le cas, vous pouvez causer des damages au bouton de selection.

Choisir les cycles de lavage

- Choisissez le cycle correspondant base sur le niveau et le souillage du chargement. Pour votre commodite, le lave-vaisselle a plusieurs cycle que vous pouvez choisir, tels que: Prelavage, Pots and Poelles, Lourd Normal, Rinser et detenir.

Prelavage

- Utilisez ce cycle pour un chargement extremement souille.

Cycle de lavage pour les Pots et Poelles

- Ce cycle est utilise pour les pots et poelles , vaisselle, couverts, verrerie et glasses qui sont extremement souilles par une nourriture seche.

Note: Ce cycle ne peut pas enlever la nourriture brules de la vaisselle

Lourd.

Utilisez ce cycle pour un chargement extremement surcharge et souille.

Cycle de lavage normal

Ce cycle est utilisé pour un chargement normal de vaisselle, verrerie et couvert souilles.

Rincer et detenir cycle

Ce cycle est utilisé pour rincer partiellement le chargement qui sera lavé plus tard.

Note: *Ne pas utiliser de détergent ou de chauffe sec caractéristique avec le rinçage et le cycle de rincer.*

Option Pour Chaleur Seche

- Pour utiliser caractéristique pour sécher des plats, remplacez les rayons avec des plats. Nettoyez et séchez. Tournez le bouton de commande à "Dry" et sélectionnez en position "On" pour la fonction "Heated Dry". Quand le cycle est fini, les plats seront chauds et prêts à servir.

Note: *Portez une attention particulière aux plats après le cycle. C'est possible qu'ils soient trop chauds pour être manipulés.*

Chauffe sec choix

En utilisant cette méthode, l'élément de chauffage activera plus rapidement la méthode de séchage.

Processus de lavage

1. Chargez toute la vaisselle et le couvert dans l'évier et le panier à couvert.

Note: *Si la tour d'éject est bloquée, cela affectera le nettoyage de la vaisselle. Le bras de pulvérisation doit être libre pour pouvoir tourner convenablement. Assurez-vous que les manches des pots et autres articles n'interfèrent pas avec la rotation.*

2. Versez la propre quantité de détergent dans le distributeur de détergent.

3. Fermez la porte et écoutez pour le clic de fermeture.

4. Si vous avez besoin d'utiliser l'option "Chaleur Seche", vous pouvez ainsi faire avant de régler le cycle de lavage.

Note: *Cette option ne doit pas être choisie avec le cycle rincer et detenir.*

5. Choisissez le cycle de lavage désiré. À ce moment le lavage commencera.

Caution: **Gardez les enfants loin de la machine car la vapeur chaude sortant de la porte ouverte du lave-vaisselle peut les blesser.**

Arrêtez un cycle de lavage

Si vous avez besoin d'arrêter le lave-vaisselle au milieu d'un cycle pour ajouter ou enlever n'importe quel article:

1. Ouvrez la porte en serrant le loquet tout doucement.

Note: *Attention, la vapeur chaude peut s'élever hors du lave-vaisselle.*

2. Ajouter ou enlever articles: Une fois avoir ajoute ou enleve les articles, simplement fermez la porte du lave-vaisselle.
3. Le cycle de lavage resumera.

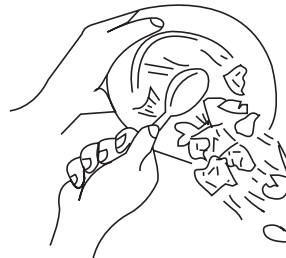
Protection de porte ouverte

Le lave-vaisselle s'arrêtera automatiquement si la porte est ouverte pendant l'opération. Une fois la porte est fermée, le cycle resumera automatiquement.

Preparation du lavage.

Pour avoir de meilleur resultants, pratiquez les suivant avant de charger le lave-vaisselle:

- Videz vos plats de grands morceaux de nourriture avant de les charger dans lave-vaisselle.
- Enlevez la nourriture attachee et desserez nourriture brulee sur les plats avant de les charger dans lave-vaisselle.
- Videz tous liquides, tels que jus, eau gazeuze, café, the, des verres et tasses avant de les charger .
- Rincer tout de suite, tout ce qui est de base acide tel que vinaigre ou jus de citron. Echec d'ainsi faire peut causer la decoloration aux plats, aux recipients de nourriture et placards internes.
- Ce n'est pas necessaire de rincer les plats avant de les charger dans le lave-vaisselle.. Le lave-vaisselle disposera de la nourriture partielle dans la disposition de nourriture incorperee



Points pour eviter taches et ternissure

Les suggestions suivantes sont recommandees pour eviter les taches et du lave-vaisselle et ustensils de cuisine:

- Quelque produits de nourriture de base citrique, café, the, depots de fer peuvent causer un jaune ou brun film sur la surface interieure s'ils sont laisses pour une longue periode.
- Il faut verifier la durete d'eau pour mesurer la quantitee de detergent don't on a bsoin pour la vaisselle. Si l'eau est extremement dure, elle peut causer des taches sur les articles.. Vous aurez besoin d'ajouter un adoucissant d'eau.
- Ne pas surcharger le lave-vaisselle
- Utilisez la temperature d'eau recommandee pour laver la vaisselle.
- Ne pas utiliser peu de detergent.
- Ne pas utiliser vieille ou humide poudre de detergent.
- Ne pas charger les outils d'aluminium incorrectement. L'aluminium peut laisser des marques noires ou grises sur les outils en porcelaine s'ils sont tout prêts et touchent l'aluminium durant le cycle.

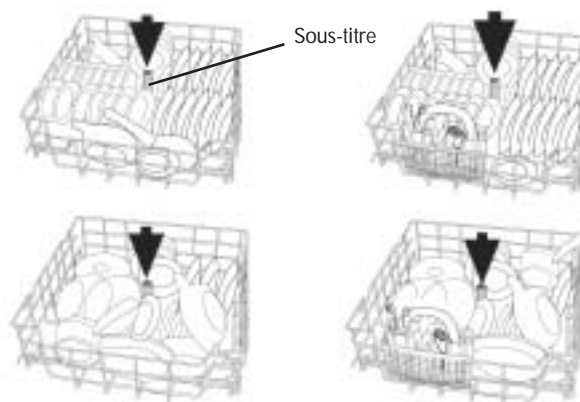
Charger les egouttoirs superieures et inferieures



(Egouttoir superieur)

Note: *Ne pas laver les articles qui sont sensibles a la chaleur ou pas concus pour le lave-vaisselle automatique.*

- Eloignez la vaisselle et les recipients de nourriture de la tour de jet d'eau.
- Placez les recipients de nourritures tels que tasses, vers, bols plats, casseroles qui sont souilles face bas..
- Pour eviter n'importe quel damage a la verrerie, glasses, tasses, glasses de champagne et de vin placez les sur l'egouttoir superieur et non inferieur
- Ne pas charger le lave-vaisselle d'articles fait de bois ou fer.. Ces articles ne sont pas concus pour le lave-vaisselle.
- Placez les objets delicats sur l'egouttoir superieur.
- Tous les articles de vaisselle et de verrerie doivent etre deposes avec surete pour eviter toute cassure.



(Egouttoir inferieur)

L'usage propre de detergent

- La quantite de detergent pour utiliser depend du type d'eau dans votre domaine. Si l'eau est dure ou douce, si les articles sont lourdement ou legerement souilles , affectera sur la quantite de detergent utilisee.

- La douceur ou dureté de l'eau est mesurée en grains par gallon (gpg). Vous pouvez vous renseigner du niveau de gpg en appelant votre locale agence d'Écologie de Protection de votre comté.
- Si le niveau de gpg est plus haut dans l'eau, l'eau sera plus dure dans votre domaine. Vous aurez besoin de plus de détergent pour le lavage. Si le niveau de gpg est moins, alors votre sera plus douce et vous aurez besoin d'en utiliser moins de détergent pour le lavage..

Regardez la table suivante pour comprendre "le type de dureté d'eau" et le niveau de gpg

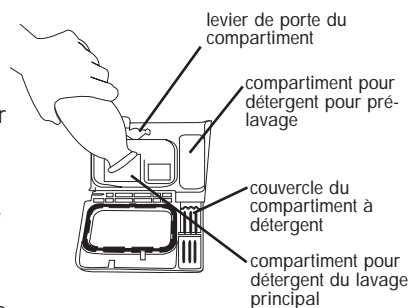
Type de dureté d'eau	gpg
dur	10+
moyen	4-9
doux	0-3

Note: Si le niveau de gpg est plus que 12, l'eau est alors très dure. Vous aurez besoin d'une douceur d'eau pour améliorer la qualité de l'eau et l'exécution du lave-vaisselle. La qualité du détergent fera une grande différence dans le lavage de la vaisselle. Détergent qui est humide ou vieux ne sera pas effectif car l'actif ingérident est déjà introduit.

Note. Utilisez seulement ; Détergent pour lave-vaisselle automatique" pour votre lave-vaisselle. Autre type de détergent qui ne sont pas pour le lave-vaisselle peuvent causer mousse de savon et moussant. Ne pas utiliser les détergents qui sont secs ou humides. Ces types de détergent ne dissoudront pas convenablement.

Mettre le détergent dans le lave-vaisselle

Utilisez le montant recommandé de détergent pour vos chargements. Mesurez et versez le détergent dans le grand compartiment pour le principal lavage. Pour le pré-lavage, versez le détergent dans le petit compartiment qui se trouve près du compartiment principal. Poussez le loquet de couverture pour ouvrir la porte de compartiment de distributeur



Note: Pour le prelavage usez la moitié de quantité de détergent que vous utilisez pour le principal lavage.

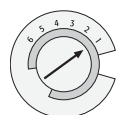
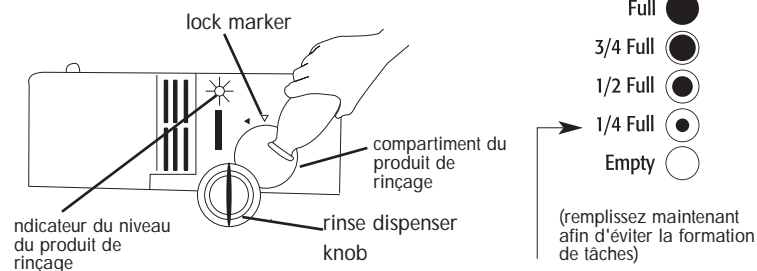
- On vous recommande d'utiliser un agent de rinçage pour aider à retirer et empêcher une nouvelle accumulation de film sur vos plats, verrerie, couvert, récipient de nourriture et plastique.

Note: Utilisez seulement une forme liquide d'agent de rinçage dans le distributeur.

Versez l'agent liquide de rinçage dans le distributeur

Versez le montant recommandé d'agent de rinçage pour vos lavages. Le distributeur de l'agent de rinçage est situé près du distributeur de détergent. Pendant le cycle de lavage, il relâche automatiquement une quantité réglée d'avance d'agent de rinçage pendant le dernier cycle de rinçage. Pour remplir l'agent de rinçage, tournez le bouton de distributeur dans le sens opposé des aiguilles d'une montre en réglage. Une fois le bouton aligné avec le marqueur, tirez sur le bouton. Alors vous pouvez verser l'agent de rinçage dans le distributeur.

Quand le distributeur est rempli, l'indicateur transparent de l'agent de rinçage sera sombre. Quand le distributeur est vide, il sera clair, ce qui signifie qu'il faudra le remplir.



Note: Un distributeur rempli doit durer approximativement un mois. Si vous voulez ajuster la quantité d'agent de rinçage dispensé, le distributeur a 1 à 16 niveaux que vous pouvez ajuster. Simplement tournez le cadran à vos montants désirés.

Verifiez la temperature d'eau

- Le minimum requis de temperature doit etre a 120degresF/49C pour que le detergent dissoud convenablement

Si vous etes incertains de la temperature de votre eau:

- Ouvrez le robinet chaud et laissez le couler pour une minute puis remplissez un verre.
- Verifiez la temperature d'eau avec un thermometre.
- Si la temperature est en dessous de la temperature recommandee 120degres F/49 C , vous avez besoin d'ajuster la temperature d'eau sur votre appareil de chauffage d'eau afin de maintenir ce niveau de temperature.

Debordant precautions

- Au cas ou le niveau d'eau depasse le plus haut point acceptable, la pression de la securite activera l'egout automatiquement.

Cycle de selection graphique

Tournez le bouton de control au cycle desire. Si la porte est fermee proprement, le cycle commencera

Tournez le bouton du cycle a Rincer et detenir pour utiliser cette caracteristique. Ne Pas activer le chauffage sec option en meme temps . Ne pas utiliser du detergent dans ce cycle.

cycle	prelavage	lavage	rincage	lavage principal	purge *	rincage final	secher
prelavage	•	•	•	•	•	•	•
pots et casseroles		•	•	•	•	•	•
lourds lavage			•	•	•	•	•
normal lavage				•	•	•	•
temps et detenir					•		

- * Une petite quantite d'eau passe par la pompe pour enlever les particules souilles.
- Les etapes qu'il ya dans chaque cycle.. le temps du cycle inclus le temps de sechoir. Temps du cycle peut etre plus long , dependant sur la temperature d'eau venant dans le lave-vaisselle.

Note: Plus l'eau est froide, plus du temps pour le cycle

Annulation d'un cycle.

Un cycle peut être annulé à n'importe quel moment en tournant doucement le bouton du cycle dans le sens des aiguilles d'une montre jusqu'à ce que le lave-vaisselle commence à s'écouler. Après l'arrêt, ouvrez la porte et tournez le bouton sélecteur du programme sur la position "Arrêt".

Changement d'un cycle.

Un cycle peut être changé à n'importe quel moment en soulevant le loquet de la porte pour arrêter le cycle. Si vous désirez à ce moment vous pouvez changer le chauffage sec option. Tournez le bouton de sélectionneur au cycle exigé. En tournant le bouton de sélectionneur du cycle, le dispensateur de détergent peut relâcher le détergent. Vérifiez les distributeurs de détergents. Ils doivent être remplis pour le nouveau cycle. Fermez la porte fermement avec le loquet. À ce moment le lave-vaisselle commence un nouveau cycle.

Secher

Pendant le cycle de séchage, vous verrez échapper de la vapeur par le conduit localisé sur le côté supérieur gauche de la porte du lave-vaisselle. Ceci est normal, comme la chaleur sèche le chargement.

Caution: La vapeur est chaude.. Ne Pas toucher à la vapeur durant ce proces.

La protection excédente de flotte

Cette flotte de protection est située dans le devant coin droit du lave-vaisselle. Il garde le baquet de se remplir au bout. Vérifiez sous la flotte pour objets qui peuvent l'empêcher de bouger vers le haut ou le bas.

Articles Lavables au Lave-Vaisselle ou Lavables à la Main

Types de matériaux	Lavable aisselle		Commentaires	vExplications
	Oui	Non		
Aluminium	X		Soumis à certaines restrictions. Lire les instructions de lavage fournies par le fabricant avant de placer les articles dans le lave-vaisselle.	Certains matériaux comme l'aluminium anodisé risquent de ternir ou de devenir sombre au contact de l'eau chaude. Une certaine décoloration risque de se produire. Placez les articles loin des autres articles car ils risquent de laisser des traces grises ou noires.
Fonte		X	Non recommandé. Laver uniquement à la main, sécher immédiatement après le lavage.	Le fer rouillera au contact de l'eau et irrémédiablement endommagé au contact de l'eau chaude.
Porcelaine	X		Soumis à certaines restrictions. Lire les instructions de lavage fournies par le fabricant avant de charger le lave-vaisselle. Remarque: Uniquement si l'article comporte l'indication "Dishwasher Safe" ("Lavable au lave-vaisselle"). Soumis à certaines restrictions.	Vous pouvez laver les articles en porcelaine non décorés. Vous pouvez également laver les articles en porcelaine décorés protégés par un enduit vitrifiable spécial. Tout motif figurant sur cet enduit avec des motifs en or ou en argent risque de ternir au contact de l'eau chaude. Veillez à ce que ces articles soient loin des uns des autres afin d'éviter de les rayer et de les endommager.
Cuivre	X		Lire les instructions de lavage fournies par le fabricant avant de charger le lave-vaisselle.	Placez les articles en cuivre loin des articles en acier inoxydable. Ne pas mélanger les articles en cuivre et les articles en argent dans le même panier car ils risquent de rapidement se décolorer.
Cristale		X	Non recommandé. Laver uniquement à la main, sécher immédiatement après le lavage. Lire les instructions de lavage fournies par le fabricant avant de charger le lave-vaisselle.	Certains types de cristal (par ex: le cristal au plomb) risquent de se rayer contact de l'eau chaude). Ne pas placer d'articles de collection et d'articles jugés très fragiles dans le lave-vaisselle. Il est recommandé de laver les articles en cristal avec une eau à basse température. Lorsque vous nversent ou se cognent les uns aux autres.

Articles Lavables au Lave-Vaisselle ou Lavables à la Main

Types de matériaux	Lavable vaisselle		Commentaires	Explications
	Oui	Non		
Dirilyte (couverts de couleur or)		X	Non recommandé. Laver uniquement à la main. Lisez les instructions de lavage fournies par le fabricant avant de charger le lave-vaisselle.	Ces articles risquent de se décolorer. Ces articles ne sont pas lavables au lave-vaisselle.
Plastique jetable		X	Non recommandé. Laver uniquement à la main. Lisez les instructions de	Il vous est possible de laver certains verres afin d'éviter de laisser des taches.
Verres	X		Lavage fournies par le fabricant avant de charger le lave-vaiss nées par le fabricant avant de charger le lave-vaisselle.	Videz les verres et les tasses de tout liquide tel que jus de fruit, soupe, boisson gazeuse, café ou thé avant de les placer dans le lave-vaisselle.
Couteaux		X	Non recommandé. Laver uniquement à la main à l'eau froide. Remarque: couteaux risquent de s'émousser au contact de l'eau chaude. Lisez les instructions le fabricant charger le lave-vaisselle.	Parfois il est possible que le manche du couteau (en bois ou autre matériau) risque de craquer, de se desserrer ou de se détériorer en raison de la chaleur de l'eau.
Cristal au plomb		X	Non recommandé. Laver uniquement à la main. Lisez les instructions de lavage fournies par le fabricant avant de charger le lave-vaisselle.	Ces articles risquent de se rayer si vous les lavez au lave-vaisselle.
Articles autres que vaisselle		X	Non recommandé. Laver uniquement à la main. Lisez les instructions de lavage fournies par le fabricant avant de charger le lave-vaisselle. Soumis à certaines	Ne jamais laver des articles tels que des filtres à air électroniques ni tout autre appareil électronique de petite taille. Après le lavage,
Revêtements non adhésifs	X		exceptions et restrictions. uement si l'article comporte l'indication "Dishwasher Safe" ("Lavable au lave-vaisselle").	recommandé d'essuyer la surface non-adhésive avec de végétale afin qu'elle conserve ses propriétés anti adhésives.
Étain		X	Non recommandé. Laver uniquement à la main à l'eau froide. arger le lave-vaisselle.	Cet article présentera des taches ou se décolorera si vous le placez dans le lave-vaisselle.

Articles Lavables au Lave-Vaisselle ou Lavables à la Main

Types de matériaux	Lavable vaisselle		Commentaires	Explications
	Oui	Non		
Plastique	X		Uniquement si l'article comporte l'indication "Dishwasher Safe" ("Lavable au lave-vaisselle"). Lisez les instructions de lavage fournies par le fabricant avant de charger le lave-vaisselle.	Placez les articles plastique loin des articles pointus afin de ne pas les endommager. Il est recommandé de placer les articles en plastique dans le panier supérieur. Ne sécher pas ces articles à la chaleur. Ne pas laver les articles en plastique jetables.
Articles en argent ou plaqués argent	X		Remarque: Rincez immédiatement ces articles si vous comptez les laver plus tard car les aliments acides ou salés risquent de surface pendant un certain temps.	Ne placez pas les articles en acier inoxydable et les couverts en argent dans le même panier. Les couverts risquent d'être endommagés si ces derniers touchent les articles en acier inoxydable.
Acier inoxydable	X		Remarque: Rincez immédiatement ces articles si vous comptez les laver plus tard car les aliments acides ou salés risquent de les tacher si ces derniers demeurent en contact avec la surface pendant un certain temps.	Ne placez pas les articles en acier inoxydable et couverts en argent dans le même panier. Les couverts risquent d'être endommagés si ces derniers touchent les articles en acier inoxydable. Ne placez pas d'articles en différents types d'acier dans le même panier.
Métal		X	Remarque: Ne mélangez pas les articles en acier inoxydable et les couverts en argent fabricant avant de charger le lave-vaisselle.	Ne placez pas d'articles en étain dans le lave-vaisselle.
Bois		X	Non recommandé. Remarque: Cet article rouillera. Lisez les instructions de lavage fournies par le fabricant avant de charger le lave-vaisselle.	Il est possible que les articles en bois risquent de craquer ou de perdre leur forme en raison de la chaleur de l'eau.

Soin et nettoyage de votre lave-vaisselle

General nettoyage et entretien

- Ne pas utiliser un abrasif, dur nettoyeurs, dissolvants, détergents concentrés ou tampons de métal pour nettoyer l'intérieur de votre lave-vaisselle.
- Utiliser eaux chaude savonneuse avec une douce brosse ou morceau de tissu pour nettoyer l'intérieur ou le baquet.
- Nettoyer autour du baquet avec un tissu humide.
- Utilisez un doux tissu humide pour nettoyer le panneau de control. Puis sechez a fond.
- Utilisez un doux tissu savonneux pour nettoyer la porte.
- Ne pas utiliser des objets tranchants qui peuvent grater la surface du placard.

Prevenir votre lave-vaisselle contre le gel

Pour protéger votre lave-vaisselle, si laissez dans un endroit sans chauffage en hiver:

- Eteignez la liqne électrique du lave-vaisselle
- Fermez la ligne de provision d'eau et débranchez la ligne d'arrivée d'eau de la soupape d'eau.
- Ne pas installer ou operer votre lave-vaisselle quand la temperature est sous-gelant.
- Si vous recevez une livraison d'un lave-vaisselle quand la temperature est au dessous gelant, n'operez pas.. Attendez jusqu'a ce que le lave-vaisselle se rechaudit .

Emmagasinage votre lave-vaisselle dans un environnement froid

- Emmagasiniez votre lave-vaisselle dans une sale ou la temperature est normale

Drainez l'ecart d'air

Certains regions et plomberies exigent l'addition d'un degout d'ecart d'air entre le lave-vaisselle et le degout.Si l'ebout est obsture , l'air protégé le lave-vaisselle si l'eau recule.



Sous-titre.L'egout est d;habitués situe sur le sommet de l'evier ou sur le sommet du comptoir pres du lave-vaisselle.

Depannage

Lave-vaisselle ne fonctionne pas

- Verifiez si la boite de jonction doit etre remis a l'etat ou si le fusible a besoin d'etre change.
- Verifiez si l'unit est sur la mode OFF.
- Verifiez si la porte est ouverte. Vous pouvez avoir besoin de la fermer proprement.

Vaisselle, verrerie, couverts sont nuageux et pas propre

- L'usage d'un vieu et faible detergent.
Soyez sure que le detergent est fraix
- L'eau peut y etre dure dans votre domaine.
Vous pouvez avoir besoin d'installer un adoucissant d'eau.
- Le bras de la pulverisaton peut etre bloque.
Vous avez besoin de rearranger les plats et outils.
- La pression d'eau peut etre basse.
Vous avez besoin d'ajuste la pression de l'eau
Verifiez que c'est entre 20 a 120 (PSI).
- La temperature d'eau peut etre plus basse que celle recommandee.
(120 Degree F/49Degree C) Vous pouvez avoir besoin d'ajuster la temperature d'eau sur votre appareil de chauffage.
- Surchargement du lave-vaisselle.
Verifiez que le dispensateur de l'agent de rincage est rempli et la propre quantitee est utilisee.
- Le lave-linge est trop chargé.
Changez la disposition des plats ou retirez quelques plats.
- (Il est possible que vous ayez choisi le mauvais cycle.) Le cycle être pas le bon. Choisissez le cycle qui convient.

Les plats ne sont pas secs

- La température de l'eau est trop basse.
Il vous faudra sans doute régler la température afin qu'elle demeure à 120°F (49°C) ou sélectionnez l'option de lavage à haute température "HI-TEMP WASH".
- Assurez-vous que le distributeur de produit de rinçage est plein et que la dose adéquate utilisée est la bonne.
- Évitez que le produit se dépose en un seul endroit et veillez à ne pas trop charger de vaisselle.
- Placez la vaisselle en l'inclinant si possible afin que l'eau puisse s'écouler facilement.
- La vaisselle lavée à haute température sèche plus rapidement.
- Certains matériaux plastique risquent de devoir être essuyés à la main.

Vaisselle écaillée

- Ceci est grace au pauvre chargement our surchargement. Faites attention au chargement de la vaisselle. Ne pas surcharger. Vous devrez placer la verrerie assurement contre les epingles. Assurez que les articles delicats soient places sur le cote du degouttoir. Nous recommandons que les articles en limoges ou crystal soient lavee separement a la main.
- Ne poussez pas les articles en verrerie lors du chargement du lave-vaisselle.
- Placez les articles delicats sur le degouttoir superieur
- Mouvez les degouttoirs lentement a l'inferieur et exterieur pour eviter le claquement de la vaisselle.
- Verifiez que toute la vaisselle et verrerie sont assurement charges pour eviter le claquement .

Bruit

Les bruits que vous entenderez sont normaux.

- Vous entendrez le son de l'eau remplit et rincer
- Vous entendrez le moteur de pompe d'egout pour pomper l'eau .
- Vous entendrez le moteur arreter a la fin du cycle
- Si quelques ustensils ne sont pas assures dans le degouttoir, vous entendrez qu'ils sont lances vers le baquet.

Mousse de savon de plus.

Ceci est grace a l'usage du savon de lavage a la main regulier.

Les detergent uses doivent etre specialement pour l'Usage du Lave-vaisselle Automatique. VOUS devez utiliser le detergent propre pour les meilleurs resultants de lave vaisselle.

Odeur de la vaisselle

- Ceci est due grace a un cycle incomplete.
Vous devez permettre au cycle d'etre entierement complet.
- Nouveau detergent odere a utiliser. Ceci est normal car les types differents de detergent peuvent avoir des parfums differents.

Gravez a l'eau forte

- Beaucoup de detergent utilise.
Utilizer la propre quantite de detergent. Reduir la quantite de detergent utilise par le chargement.
- La temperature d'eau est tres chaude
Vous devez abaissier la temperature d'eau
- L'usage d'un vieu detergent.
Lisez la date d'expiration. Evitez l'utilisation de detergent vieu. Utilisez seulement detergent fraix.
- Ne pas pre-rincer les plats.
Simplement grattez les particles de nourriture.

Interieur baquet tache

- Quelques detergents contiennent une couleur connue comme "Pigments" ou "Teintures" qui decolorera le baquet avec d'excès d'usage. Vous devez changer le detergent a un autre sans un colorant. Lisez l'etiquette soigneusement avant d'utiliser le detergent.
- Des bases d'acid et bases de colle peuvent decolorer le baquet. L'usage du cycle rincage pourra reduire le niveau des taches.

Les taches et films trouves sur la vaisselle et verrerie

Ceci est grace a:

- L'usage de detergent minimum.
- Basse temperature et pression de l'eau recue
- Chargement improprement.
- L'usage d'une poudre de detergent vieille et humide.
- Eau dure dans votre domaine.

Eau**Drainage de l'eau**

- Verifiez le niveau du tyau d'egout. Le tuyau d'egout doit etre situe au dessus de l'egout afin de drainer convenablement.
- Assurez vous qu'il est sur un haut egout (20") au dessus du plancher.
- Si le tuyau d'egout est courbu ou retreci, il peut affecter la facon de drainer.
- Si l'eau ne peut pas etre drainee facilement, l'operation du lave-vaisselle peut etre affeter et pourra l'arreter au milieu du cycle.
- Verifiez que le cycle du lavage est complet avant d'ouvrir la porte du lave-vaisselle.
- Verifiez que l'ecart d'air n'est pas bloque.
- Si l'unite est connecte a un disposer d'ordures, assurez qu'il n'est pas rempli. Si c'est le cas il faut le vider.
- Verifiez pour n'importe quel type d'obstruction pres de l'egout.
- Si l'eau recule dans l'evier, verifier le disposer d'ordures et le piege d'obstruction.
- C'est normal de trouver un peu d'eau dand le domaine de fosse a fumier pres de l'egout.

Fuite de lave-vaisselle

- Lave-vaisselle n'est pas mise a niveau proprement.
- Vous avez besoin de poser le lave-vaisselle sur une surface plate. Evitez une surface inegale. Assurez que le lave-vaisselle est convenablement nivele. (Voir le manuel d'installations)
- Ne pas excedeer le detergent ou l'agent de rincage parce qu'il causera de la mousse extra et debordera.
- Ne pas utiliser le regulier type de savon a la main dans le dispensateur du detergent. Ces genres de detergents ne sont pas recommandes pour le lave-vaisselle.

Lave-vaisselle ne remplira pas

- Verifiez la provision d'eau.
- Verifiez que la provision d'eau est sur le ON position.
- Verifiez la pression d'eau. Verifiez la pression d'eau est a un propre niveau. (Entre 20 et 120 PSI)
- Verifiez si la protection de la flotte excedente est capable de bouger librement vers le haut et le bas. Si non, presses et relachez la.

Detergent trouve dans le compartiment

- e pas charger des articles tout pres du compartiment de detergent. Ca peut bloquer le relachement automatique du detergent
- Ne pas utiliser vieu detergent dans le compartiment parcequ'il ne dissoudra pas convenablement et laissera un residu sableux sur la vaisselle.
- Est-ce-que le cycle est complet? Le cycle ne peut pas etre complet.

Lave-vaisselle court pour longtemps

- La temperature de l'eau recue est au dessous 120degreesF. Elevez votre montage d'appareil de chauffaged'eau , ca aidera a raccourcir le temps d'operation..
- Appelez le Centre de Satisfaction de Client de Haier si ceci ne resoud pas le probleme.

Garantie Limitée

Service à domicile

Garantie totale d'1 an

Pour une durée de 12 mois à partir de la date d'achat, Haier s'engage à réparer ou à remplacer gratuitement et sans frais de main d'oeuvre, toute pièce se rompant en raison d'un vice de fabrication ou matériau utilisé.

Garantie limitée 2 ans

Le circuit de distribution d'eau (les pièces uniquement)

Pour une durée de 24 mois à partir de la date d'achat, Haier s'engage à réparer ou à remplacer en raison d'un vice de fabrication. Ceci comprend la pompe, le moteur, le bras et le jets pulvérisateur supérieur avec le tube d'alimentation et les filtres.

REMARQUE: L'entrée extérieure et les pièces de plomberie du raccord d'évacuation ne sont pas couvertes par cette garantie.

Les paniers à revêtement en vinyle (les pièces uniquement)

Pour une durée de 24 mois à partir de la date d'achat, Haier s'engage à réparer ou à remplacer gratuitement tout panier supérieur ou inférieur dont le revêtement en vinyle pèle ou rouille en raison d'un vice de fabrication

Bouton rotatif ou commande électromécanique (les pièces uniquement)

Pour une durée de 24 mois à partir de la date d'achat, Haier s'engage à remplacer gratuitement toute commande électromécanique rompant en raison d'un vice de fabrication

Garantie à vie (pièces uniquement)

La cuve de lavage en acier inoxydable et le joint de porte.

Haier remplacera la cuve de lavage en acier inoxydable et le joint de porte si le bac d'origine ou la porte présente une fuite en raison d'un vice de fabrication.

REMARQUE: La couverture de cette garantie commence à la date d'achat de cet appareil et le reçu d'achat d'origine devra être présenté au représentant agréé de

service après-vente avant que toute réparation puisse être effectuée.

Exceptions: Garantie pour usage commercial ou de location

Couverture de 90 jours à partir de la date d'achat d'origine.

Couverture de 90 jours pour pièces à partir de la date d'achat d'origine.

Pour bénéficier service après-vente:

Contactez votre centre de réparation agréé le plus proche. Toutes les réparations doivent être effectuées par un centre de réparation agréé Haier. Veuillez composer le 1-877-337-3639 pour obtenir le nom et le numéro de téléphone du centre de réparation le plus proche.

Avant de nous appeler, veuillez avoir les informations suivantes à portée de main:

Le numéro du modèle, le numéro de série de votre machine (ces informations se trouvent à

l'arrière de la machine dans le coin).

Le nom et l'adresse du revendeur auprès duquel vous avez acheté l'appareil et la date. Une description claire du problème.

Une preuve d'achat (reçu de vente).

Cette garantie couvre les appareils aux États-Unis (sur le continent), à Puerto Rico et au Canada. Cette garantie ne couvre pas:

Le remplacement ou la réparation des fusibles du domicile, des disjoncteurs, du câblage et de la plomberie.

Tout appareil dont le numéro de série d'origine a été retiré ou altéré.

Les frais de réparation jugés anormaux tels que les réparations effectuées dans une autre région ou ne correspondant pas aux horaires d'ouverture du centre de service après-vente.

Les plats, les verres et les couverts abîmés.

Les dommages survenant lors du transport.

Les dommages survenant suite à une installation ou une réparation incorrecte.

Les dommages et dégâts survenant suite à toute utilisation incorrecte, abusive, ou une.

Les dommages survenant suite à des réparations ayant été effectuées par un concessionnaire ou revendeur autre que par un centre de réparation agréé Haier.

d'une tension, source de courant ou

d'alimentation électrique incorrecte.

cation du produit ou à un réglage non approuvé

par Haier.

Le réglage des commandes d'utilisation

indiquées dans la notice.

Les tuyaux, les boutons, le compartiment réservé

au détergent, le compartiment réservé au produit

de rinçage et les accessoires de déplacement, de

transport et d'expédition couvrant le démontage,

le remplacement des pièces défectueuses au-delà

des 12 premier mois de couverture initiale.

Les dommages autres que les dommages jugés

normaux lors d'une utilisation à

domicile normale.

Les frais de transport et d'expédition.

LA PRÉSENTE GARANTIE REMPLACE TOUTE

AUTRE GARANTIE EXPRESSE OU IMPLICITE Y

COMPRIS TOUTE GARANTIE DE

COMMERCIALISABILITÉ OU DE QUALITÉ

MARCHANDE ET D'APTITUDE À UNE

UTILISATION PARTICULIÈRE.

Le recours offert par la garantie est un recours

exclusif et tient lieu de recours unique. Cette

garantie ne couvre pas les dommages

accessoires ou indirects. Certains états ou

provinces ne permettent ni limitation de la durée

d'une garantie implicite de

dommages indirects. Les limites ou exclusions

mentionnées ci-dessus peuvent ne pas

s'appliquer dans votre cas. Cette garantie vous

confère des droits juridiques particuliers et il est

possible que vous ayez d'autres droits qui

peuvent varier selon l'état et la province.

Importantes instrucciones de seguridad

PRECAUCIONES DE SEGURIDAD

Precaución - Para reducir el riesgo a shock eléctrico, daños o lesiones físicas siga las instrucciones básicas de seguridad incluyendo las siguientes:

1. Lea todas las instrucciones antes de utilizar esta unidad
2. Utilice esta unidad sólo para su uso entendido, como se describe en este manual y guía de cuidados.
3. Utilice sólo detergente para lavavajillas automáticos que sean recomendados para el uso en este producto. Mantenga los detergentes corrosivos fuera del alcance de los niños ya que puede ser peligroso.
4. Esta unidad debe instalarse adecuadamente de acuerdo a las instrucciones provistas en este manual antes de utilizarse.
5. Nunca desenchufe esta unidad tirando del cable. Siempre sostenga firmemente el enchufe y tire hacia atrás.
6. Repare o reemplace inmediatamente los cables de corriente que estén dañados o presenten abrasiones.
7. Desenchufe su refrigerador antes de limpiar o antes de hacer alguna reparación.
8. No abra la puerta de la lavadora inmediatamente luego de terminado el proceso de lavado o durante el mismo ya que el vapor caliente puede ser peligroso. Simplemente presione la traba de la puerta, espere unos segundos para permitir que entre aire frío y luego abra la tapa.
9. No opere el refrigerador en presencia de gases explosivos.
10. No agregue o mezcle ningún tipo de sustancia inflamable al lavado.
11. La tapa del lavavajillas debe estar cerrada durante el proceso
12. No opere la unidad cuando faltasen partes o estuviesen rotas.
13. No utilice este lavavajillas con propósitos comerciales
14. No utilice esta unidad a menos que todas las partes se encuentren en su lugar.
15. No juegue o forcejee con los controles
16. Para reducir riesgos no permita que los niños jueguen con esta unidad. Es necesario supervisar a los niños cuando la unidad está en uso.
17. Esta unidad debe conectarse a una toma de corriente adecuada.
18. Asegúrese de una correcta conexión a tierra para reducir el riesgo de shock o incendio. **NO CORTE O RETIRE EL ENCHUFE DE CONEXIÓN A TIERRA.** Si usted no posee una toma receptora de tres patas deje que un técnico electricista instale la toma de corriente adecuada.

19. Puede producirse gas de hidrógeno si el calentador de agua no ha sido usado por dos o más meses. Bajo ciertas circunstancias puede ser explosivo y muy riesgoso. En estos casos abra las canillas de agua caliente y deje correr agua por unos minutos antes de utilizar la unidad. Esto permitirá que el gas atrapado escape. Para evitar accidentes evite encender la luz, utilizar cualquier electrodoméstico, fumar, etc. ya que el gas hidrógeno es inflamable
20. No intente reparar o cambiar alguna de las partes del lavaplatos a menos que la acción esté especificada en las instrucciones de uso-reparación y que usted entienda y posea la habilidad para llevar a cabo
21. Para reducir el riesgo a un shock eléctrico o incendio no utilice alargues o adaptadores .
22. No lave utensillos sensibles al calor o cualquier otro elemento que no fuese apto para lavar en lavavajillas automático. Estos pueden deformarse o corromperse.
23. No utilice el lavavajillas en exteriores.
24. No deje la puerta de la unidad abierta para que se sequen los utensillos mientras que haya niños alrededor. Se necesitará extrema supervisión y observación en esos casos.
25. No abuse, siente o apoye sobre la puerta del lavavajillas.
26. No toque el calentador durante o inmediatamente luego del uso, puede estar muy caliente.
27. Cargue los utensillos filosos como tenedores y cuchillos con el mango hacia arriba para prevenir cualquier tipo de accidente.
28. No lave objetos plásticos a menos que sean aptos exclusivamente para lavaplatos automático. Consulte las especificaciones dadas por el fabricante en estos casos.
29. No coloque elementos filosos cerca de la puerta, puede dañar el acabado de la misma.
30. Cuando retire su antiguo lavavajillas siempre retire la puerta del mismo.
31. Desconecte el cable de corriente y la manguera de entrada de agua antes de realizar cualquier reparación.

**GUARDE ESTAS INSTRUCCIONES
PARA FUTURA REFERENCIA**

Español

INDICE

	PAGE
Instrucciones de seguridad	45-46
Conociendo su lavavajillas	48-49
Utilizando el lavavajillas	50-57
Seguridad del lavavajillas o lavado a mano	58-60
Cuidado y limpieza de su lavavajillas	61
Problemas generales	62-65
Garantía	66

Gracias por utilizar este producto Haier. Esta manual de fácil uso lo guiará para obtener el resultado y funcionamiento óptimo de su lavavajillas.

Recuerde de guardar el número de modelo y número de serie. Ambos se encuentran en una etiqueta en la puerta del lavaplatos.

Número de modelo

Número de serie

Fecha de compra

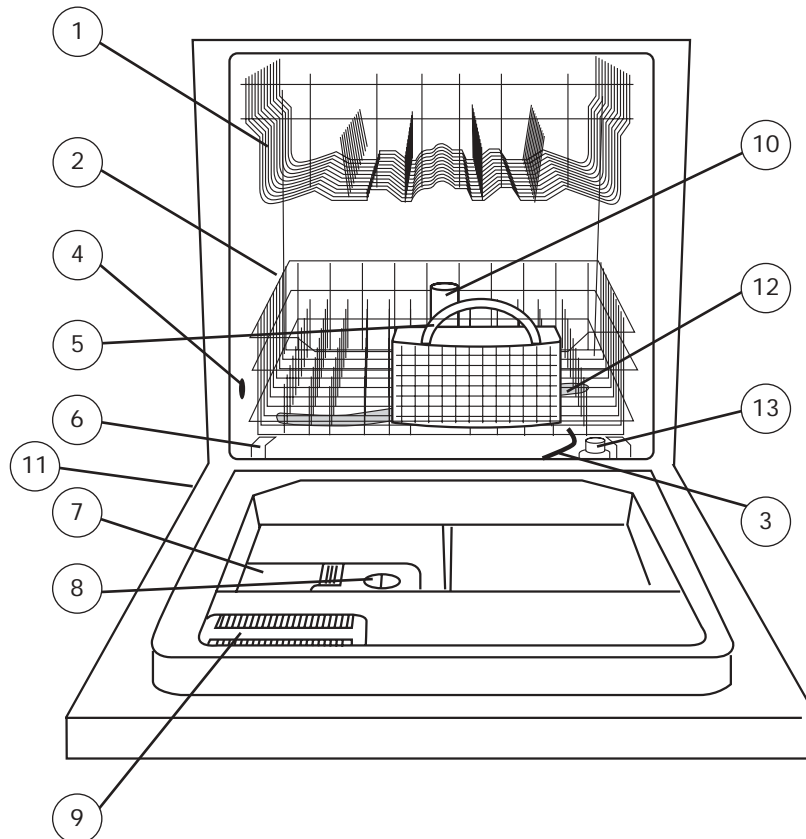
Agrafer le ticket de caisse au guide.

Il devra être présenté pour tout service après-vente sous garantie.

Todas las figuras en este manual de uso y cuidado del lavaplatos son ilustrativas únicamente. Las partes que se muestran en las figuras pueden ser diferentes de la unidad real. Las especificaciones y sus características están sujetas a cambio sin previo aviso.

Conociendo su lavavajillas

Partes y características



- | | |
|----------------------------|---|
| 1. Rejilla superior | 9. Rejila de ventilación |
| 2. Rejilla inferior | 10. Torre vaporizadora |
| 3. Calentador | 11. Etiqueta con número de serie y modelo |
| 4. Entrada de agua | 12. Brazo del vaporizador |
| 5. Cesto de platos | 13. Flota protectora de sobrecarga |
| 6. Soportes de rejillas | 14. 4 pies niveladores (no se muestra) |
| 7. Dispenser de detergente | |
| 8. Dispenser de enjuague | |

Utilizando el lavavajillas

Panel de control del lavavajillas

Botón de "secado a calor"

- Presione "Secado a calor" para encender o apagar.

Traba de puerta

- Para cerrar la puerta presione la misma con un poco de fuerza hasta escuchar un "click".
- Para abrir la puerta presione la traba y tire hacia fuera.

Perilla de selección de opciones

- Para elegir un ciclo de lavado gire la perilla en dirección a las agujas del reloj y seleccione como desee una de las opciones de lavado. Una vez que el puntero de la perilla esta alineado con el ciclo, el proceso de lavado comenzará.

Precaución: La perilla de selección está diseñada para girar en dirección a las agujas del reloj. **NO GIRE EN DIRECCION CONTRARIA. La perilla puede dañarse.**

Eligiendo los ciclos de lavado

- Elija el ciclo de lavado que usted desee de acuerdo al nivel de carga y al nivel de suciedad de la misma. Usted puede seleccionar los ciclos de Prelavado, Potes y bandejas, Normal- pesado, Enjuague y mantenimiento.

Pre-lavado

- Se utiliza para cargas extremadamente sucias.

Potes y bandejas

- Este ciclo es para pots y bandejas con alta suciedad, elementos de cocina difíciles de limpiar, platos, vasos, cubiertos con suciedad grasa como aceites.

Nota: Este ciclo puede no retirar del todo restos de alimentos quemados.

Pesado

- Utilice este ciclo para una carga total y alta suciedad.

Ciclo de lavado Normal

- Este ciclo se utiliza para una carga normal de cubiertos , vasos y platos.

Ciclo de enjuague y Mantenimiento

Este ciclo es para el enjuague de cargas parciales que luego van a ser lavadas. Nota : no utilice detergentes o combinaciones de calor con esta opción de ciclos.

Ciclo para entibiar platos limpios

- Para utilizar esta opción coloque en los estantes o rejillas los platos limpios. Lleve la perilla de control a la opción Secado (DRY) y coloque el "calentador/secado" en posición de encendido (ON). Cuando el ciclo esta completo los platos estarán tibios y listos para ser servidos.

Nota: *Agarre con cuidado ya que los platos pueden estar demasiado calientes.*

Opción de Secado a calor

- Utilizando esta opción se activará el calentador para terminar y optimizar el proceso de secado.

Proceso de lavado

1. Cargue los elementos y utensillos en las rejillas y canastas como sea necesario.

Nota: *si cubre la torre vaporizadora afectará a la limpieza de los elementos. El brazo del vaporizador debe estar libre de modo que pueda rotar libremente. Asegúrese de las manijas o bordes de los recipientes no obstruya o interfiera en la rotación del brazo.*

2. Vierta la cantidad adecuada de detergente dentro del dispenser
3. Cierre la puerta hasta escuchar el "click"
4. Si necesita utilizar la opción de Secado a calor usted debe establecerla desde antes de seleccionar el ciclo de lavado.

Nota: *Esta opción no debe elegirse para el ciclo de Enjuague y mantenimiento.*

5. Elija el ciclo deseado. El proceso de lavado comenzará en ese instante.

Cuidado: *mantenga a los niños lejos de la unidad cuando la puerta es abierta ya que el aire caliente que sale del interior puede ser dañino.*

Pausa en el ciclo de lavado

Si usted necesita hacer una pausa en el ciclo de lavado para agregar o retirar utensillos:

1. Abra la puerta destrabando suavemente.
Nota: *tenga cuidado con el vapor o aire caliente del interior.*
2. Agregue o retire los ítems necesarios. Luego simplemente cierre la puerta.
3. De esta manera el ciclo continuará hasta finalizar.

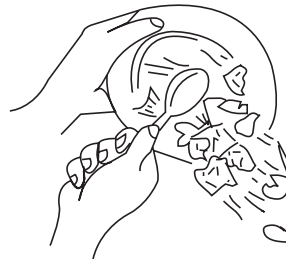
Protección al abrir la puerta

El lavaplatos se detendrá automáticamente si la puerta es abierta durante la operatoria. Una vez que se cierra la puerta el proceso continuará.

Preparando los utensillos a lavar

Para obtener los mejores resultados practique lo siguiente antes de colocar la vajilla en el lavavajillas:

- Descarte aquellos grandes restos de comida que quedan en el plato.
- Retire la comida pegada o partes quemadas que hayan quedado.
- Vacie los líquidos como café, sopa, jugo, sodas o te de los vasos y tazas antes de cargar.
- Enjuague o elimine los líquidos ácidos como vinagre o jugo de limón para evitar la decoloración de platos, recipientes o del acabado de la puerta del lavaplatos.



Para evitar las manchas

Las sugerencias a continuación son recomendables para prevenir manchas en los platos y demás utensillos.

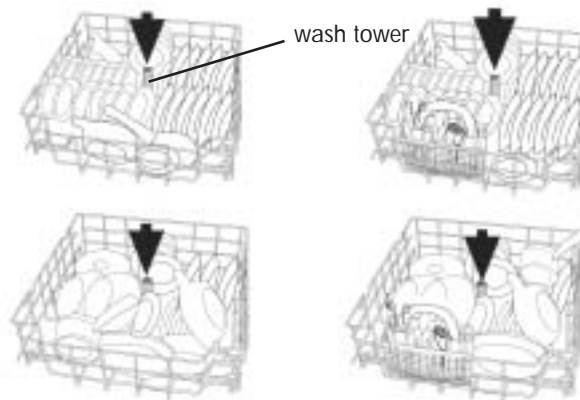
- Algunos productos a base de cítricos, café, te, elementos de metal que queden depositados dentro la unidad pueden crear un color amarillento en el agua y las superficies.
- Usted debe probar la dureza del agua para saber cuanto detergente utilizar en el lavado. Si el agua fuese muy pesada puede causar manchas a los utensillos. Puede necesitar suavizantes.
- No sobrecargue el lavavajillas
- Utilice la temperatura de agua recomendada para el lavado.
- No utilice detergentes en polvo o viejos.
- No cargue los elementos de aluminio de manera inadecuada. Si los utensillos de aluminio rozan con otros de porcelana, por ejemplo, pueden causar manchas grisáceas durante el lavado.

Carga del estante o rejilla superior e inferior



(Rejilla o estante Superior)

Nota: No lave cualquier otro utensillo que no esté permitido o diseñado para lavar en lavavajillas.



(Rejilla inferior)

- Mantenga alejados los platos y demás de la torre vaporizadora.
- Coloque los recipientes como tazas, vasos, bowls, cacerolas mirando hacia abajo.
- Para evitar cualquier tipo de daños a tazas, vasos y copas, evite colocarlos en el estante o rejilla trasera. Colóquelos en la rejilla superior.
- No coloque recipientes que sean de madera o metal. Estos elementos no son seguros para utilizar en lavavajillas.
- Coloque los elementos más delicados en el estante superior.
- Todos los elementos deben estar ubicados en su lugar seguro para evitar que se caigan o choquen entre si.

Uso adecuado del detergente

- La cantidad de detergente a utilizar depende del tipo de agua que usted posea. Asimismo el grado de suciedad de los items influirá en la cantidad de detergente.
- La suavidad o dureza del agua se mide por galones. Usted puede averiguar esta medición llamando a la Agencia de protección del Medio Ambiente local de su país.
- Si encontrase que el nivel de aspereza del agua es alto entonces necesitará mayor cantidad de detergente. De lo contrario, si el agua fuese más suave se necesitará menor cantidad para el lavado.

Tipo de dureza de agua	gpg
dura	10+
mediana	4-9
suave	0-3

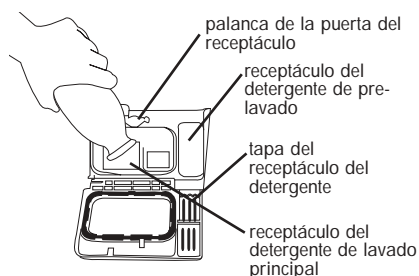
Nota: Si el nivel de dureza del agua es mayor a 12 el agua es demasiado áspera y puede ser necesario utilizar algún tipo de suavizante.

La calidad del detergente también hace la diferencia en el lavado. Detergentes en polvo que estén húmedos o sean viejos no serán lo suficientemente efectivos ya que los ingredientes activos se encuentran nulos.

Nota: utilice sólo detergentes para lavavajillas automáticos. Otros tipos de detergentes que no sean de este tipo pueden generar mucha espuma.

Volcando el detergente

Utilice la cantidad de detergente recomendada. Mida y vuelque el detergente en el compartimento mayor para el lavado principal. El detergente para el Pre-lavado va en el compartimento menor al lado del anterior.



Nota: Para el Pre-lavado usted debe utilizar la mitad de la cantidad de detergente que utiliza para el lavado principal.

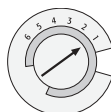
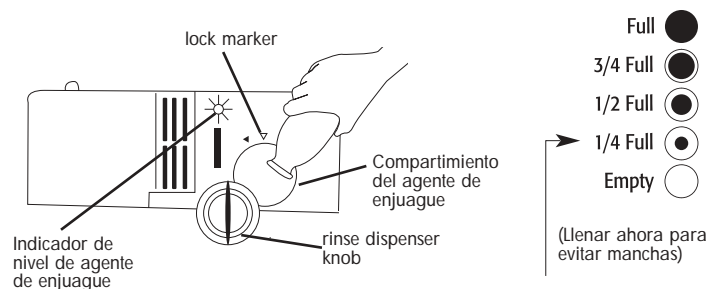
- Recomendamos que utilice algún tipo de Enjuague para ayudar a remover las manchas y prevenir que se forme alguna película en sus platos, vasos, utensillos de cocina y plásticos.

Nota: Utilice sólo un enjuague que sea líquido en el dispenser.

Vertiendo el Líquido de enjuague en el dispenser

Utilice la cantidad de este producto recomendada para su carga. El dispenser del agente de enjuague se encuentra ubicado al lado del dispenser de detergente. Durante el ciclo de lavado automáticamente se liberará una cantidad pre-seleccionada del líquido de enjuague durante el último ciclo de lavado. Para llenar el líquido dentro del dispenser gire la perilla de este último hacia la derecha. De esta manera usted puede colocar ahora el líquido de enjuague en el dispenser.

Cuando el dispenser esté lleno el indicador de nivel estará oscuro. Cuando este vacío el indicador se verá limpio por lo que se necesitará verter más del limpiador.



Nota: Un dispenser lleno deberá durar aproximadamente un mes. Si usted quiere ajustar la cantidad liberada del enjuague durante el ciclo simplemente rote el dial y establezca el nivel deseado del 1 al 6.

Control de la temperatura del agua

- La temperatura mínima del agua entrante debe ser a 120F\49C en orden de que el detergente pueda disolverse adecuadamente.

Si usted no está seguro de la temperatura del agua de su casa:

1. Abra la canilla de agua caliente y deje correr el agua por un minuto, luego llene un vaso.
2. Tome un termómetro y tome la temperatura del agua.
3. Si esta fuera menor a la recomendada: 120f/49C, usted necesitara ajustar el termostato de manera de mantener una temperatura pareja.

Protección contra inundación

- En caso de que el nivel de agua fuera mayor al máximo nivel aceptable la llave de seguridad activará la bomba de drenaje automáticamente.

Cuadro de selección de ciclos

Gire la perilla de selección de ciclos y elija el ciclo deseado. Si la puerta esta cerrada correctamente el proceso de lavado comenzará.

Gire la perilla a la opción Enjuague y Mantenimiento. No active el calentador mientras utiliza esta opción. No utilice detergente en este ciclo.

Ciclo	Pre-lavado	Lavado	Enjuague	Lavado principal	purge*	Enjuague fina	Secado
Prelavado	•	•	•	•	•	•	•
Potes y cacerolas		•	•	•	•	•	•
Lavado pesado			•	•	•	•	•
Lavado Normal				•	•	•	•
Tiempo y mantenimiento						•	

- * Pequeñas cantidades de agua corren a través de la bomba para eliminar partículas de suciedad.
- Muestra los pasos que hay en cada ciclo. El tiempo del ciclo incluye el tiempo de secado. El tiempo del ciclo puede ser mayor dependiendo de la temperatura del agua que entra al lavaplatos. Nota: Agua más fría mayor tiempo de proceso.

Cancelando un ciclo

Un ciclo puede ser cancelado en cualquier momento girando suavemente la perilla de selección en dirección a las agujas del reloj a la posición OFF.

Cambiando de ciclo

Un ciclo puede ser cambiado en cualquier momento levantando la presilla de la puerta para detener el ciclo. Si desea elija la opción de secado a calor. Luego gire el selector al ciclo deseado. Esta acción puede causar la liberación de mayor detergente, por lo tanto controle el nivel del mismo. Cierre la presilla. El lavavajillas comenzará nuevamente el ciclo.

Secado

Durante el proceso de secado usted podrá observar que cierto vapor se escapa por la rejilla ubicada en la parte superior a la izquierda del lavavajillas. Esto es normal ya que el calor seca la carga.

Cuidado: El vapor expedido es caliente. No toque la rejilla de salida de vapor durante este proceso.

Flotador de protección de sobrecarga

Este flotador de seguridad se encuentra situado en la esquina derecha del tubo del lavavajillas. Este previene la sobrecarga del tubo. Controle que no haya objetos que obstruyan el movimiento hacia arriba y abajo del flotador.

Artículos Lavables en Forma Segura

Tipo de Materiales	Segur Lavaplatos		Comentarios	Explicación
	Sí	No		
Aluminio	X		Tiene algunas restricciones. Antes de poner estos artículos en el lavaplatos, lea las instrucciones de lavado del fabricante del objeto.	Materiales tales como aluminio anodizado se pueden opacar u oscurecer en agua caliente. También puede aparecer algún manchado. Los objetos de aluminio se pueden producir manchas grises o negras.
Hierro Fundido		X	No se recomienda – Lave el Objeto a Mano Únicamente, séquelo inmediatamente después de lavarlo.	El hierro se oxidará en el agua y el curado superficie se perderá, debido a la alta temperatura del agua.
Vajilla de Porcelana	X		Tiene algunas restricciones. Antes de poner estos artículos en el lavaplatos, lea las instrucciones de lavado del fabricante. Nota: Únicamente si se especifica que es "Seguro para Lavaplatos" (Tiene algunas restricciones.)	Se puede lavar piezas de vajilla porcelana decoración. Se puede lavar objetos de vajilla de porcelana con decoración protegida con tipo especiales de glaseado o vidriado. Cualquier tipo de decorado sobre el glaseado oro o plata, se puede desteñir con el agua caliente. Ponga este tipo de objetos en el lavaplatos sin que se toquen, para evitar rayones y daños.
Cobre	X		Antes de poner estos artículos en el lavaplatos, lea las instrucciones de lavado del fabricante del objeto.	Cargue los objetos de cobre lejos de los objetos de acero inoxidable. No mezcle objemisma canasta. Se pueden manchar fácilmente. Cierta tipo de "Cristal de
Cristal		X	No se recomienda – Lave el Objeto a Mano Únicamente, séquelo inmediatamente después de lavarlo. Antes de poner estos artículos en el lavaplatos, lea las instrucciones de lavado del fabricante del objeto.	Plomo" se puede picar en agua caliente. No lave "Antigüedades" ni objetos "Muy Delicados" en el lavaplatos. Se recomienda lavar los objetos de cristal con graduación de baja temqueden bien asegurados en su lugar para evitar que se caigan o se golpeen contra otros objetos de la vajilla, durante el proceso de lavado.

Español

Artículos Lavables en Forma Segura (continuación)

Tipo de Materiales	Segur Lavaplatos		Comentarios	Explicación
	Sí	No		
Dirilyte (Cubiertos con Baño de Oro)		X	No se recomienda – Lave el Objeto a Mano Unicamente. Antes de poner estos artículos fabricante del objeto.	Estos objetos se pueden decolorar.
Plástico Desechable		X	No se recomienda – Lave el Objeto a Mano Unicamente. recomendaciones. Antes de poner estos artículos en el cante del objeto.	Estos objetos no están hechos para lavado en lavaplatos.
Cristalería	X		No recomendado – Lave los objetos a Mano Unicamente con agua fría. Nota: Los cuchillos afilados Antes de poner estos artículos fabricante del objeto.	Alguna cristalería se puede lavar para evitar que se manche. Vacíe los residuos tales como jugo, sopa, vasos y tazas antes de colocarlos en el lavaplatos.
Cuchillos		X	No se recomienda – Lave el Objeto a Mano Unicamente. Antes de poner estos artículos en el lavaplatos, lea las instrucciones de lavado del fabricante del objeto.	Algunas veces el mango (de madera u otro tipo de material) de los cuchillos se puede rajar, aflojar o deslucir en agua caliente.
Cristal de Plomo		X	No se recomienda – Lave el Objeto a Mano Unicamente. Antes de poner estos artículos instrucc fabricante del objeto.	Estos objetos se pueden "Picar" si se lavan en máquina.
Artículos NO de Mesa ni de Cocina		X	Hay algunas excepciones y recomendaciones. Antes de poner estos artículos en el lavaplatos, lea instrucciones de lavado del fabri	Nunca lave a objetos tales como "limpiadores o filtros de aire" electrónicos de ninguna clase de aparatos electrónicos pequeños.
Revestimientos contra Adherencia	X		Nota: Unicamente si se especifica que es "Seguro para Lavaplatos" ("DishWasher Safe")	Después de lavar, se recomienda frotar con aceite vegetal el área de la superficie no-adherente para mantener su calidad <u>no-adherente</u> .
Peltre		X	No recomendado – Lave los objetos a Mano Unicamente con agua fría. Antes de poner estos artículos en el lavaplatos, lea las instrucciones de lavado del fabricante del objeto.	Esto se descolorará o manchará si se lava a máquina.

Artículos Lavables en Forma Segura (continuación)

Tipo de Materiales	Segur Lavaplatos		Comentarios	Explicación
	Sí	No		
Plástico	X		Nota: Únicamente si se especifica que es "Seguro para Lavaplatos" ("DishWasher Safe") instrucciones de lavado del fabricante del objeto.	Coloque los objetos plástico lejos de los objetos cortantes para evitar daños. Se recomienda colocar los la superior.No seque con calor. de plástico "Desechable."
Plata o Artículos Plateados	X		Nota: Enjuague estos objetos inmediatamente si los va a lavar más tarde, porque los alimentos ácidos o salados pueden mancharlos si se dejan en ellos por tiempo.	No coloque cubiertos de plata (o plateados) y objetos de acero inoxidable en la misma canasta. Los cubiertos se pueden dañar si entran en acero inoxidable.
Acero Inoxidable	X		Nota: Enjuague estos objetos inmediatamente si los va a lavar más tarde, porque los alimentos ácidos o salados pueden mancharlos si se dejan en ellos por largo tiempo.	No cargue objetos de tipos diferentes de "Acero Inoxidable" en la misma canasta y en el mismo lavado.
Metal		X	Nota: No mezcle objetos de acero inoxidable con los cubiertos de (o plateadlavado recomendadas por el máquina.	No lave "Hojalata" en el lavaplatos.
Madera		X	No recomendado. Nota: Se oxidará. Antes de poner estos artículos en el lavaplatos, lea las instrucciones de lavado del fabricante del objeto.	La madera se puede rajar o perder su forma en la máquina de lavar debido al agua caliente.

Cuidado y mantenimiento de su lavavajillas

Limpieza y mantenimiento general

- No utilice limpiadores abrasivos, solventes, detergentes concentrados o esponjas de metal para limpiar el interior del lavavajillas.
- Utilice agua tibia con detergente y una paño o esponja suave para limpiar el interior del tubo
- Limpie alrededor de la junta del tubo con un paño húmedo.
- Cuando limpie el panel de controles utilice un repasador húmedo y luego seque.
- Cuando limpie al puerta utilice un paño húmedo
- No utilice ningún objeto que pueda rayar o dañar la superficies

Previendo el congelamiento de su lavavajillas

Para proteger su lavavajillas si este fuese colocado en un lugar frío durante el invierno:

- Apague al corriente eléctrica.
- Desconecte la entrada de agua de la válvula.
- No opere o instale este producto donde la temperatura sea menor a 0 C.
- Si el lavaplatos fuese entregado a su domicilio cuando la temperatura exterior fuese menor a 0C no opere la unidad hasta que la misma no se haya aclimatado a temperatura ambiente.

Guarda del lavavajillas en lugares fríos

- Usted debe guardar la unidad si no estuviese en uso en un lugar a temperatura ambiente.

Hueco de aire

Algunos Estados o bajo ciertas reglas locales requieren el agregado de un espacio de aire entre la estructura del lavavajillas y el drenaje. Si el drenaje estuviese bloqueado el aire previene que el agua retorne a la unidad.



El hueco o espacio de aire está ubicado generalmente sobre la mesada cerca del lavavajillas

Problemas generales

El lavavajillas no funciona

- Controle si el circuito necesita ser reseteado o si es necesario reemplazar algún fusible.
- Chequee si la unidad está en el modo OFF.
- Verifique si la puerta está abierta. Puede que la puerta esté mal cerrada.

Los platos y utensillos no están lo adecuadamente limpios

- Puede ser causa del uso de detergentes viejos o pobres. Asegúrese de que el detergente sea nuevo.
- El agua puede ser pesada en el area donde se encuentra. Puede instalarse un suavizante de agua si es necesario.
- El brazo del vaporizador está bloqueado. Necesitará reacomodar los platos y demas elementos.
- La presión del agua es demasiado baja. Necesitará reajustar la presión entre 20 y 120 psi.
- La temperatura del agua es más baja a la recomendada (120 F \ 49C) Puede ser necesarios reajustar el termostato de su casa.
- Sobrecarga de elementos en el lavaplatos. Usted necesitará reacomodar los platos y demas utensillos o retirar alguno elementos de la carga.
- Selección de ciclo inapropiada. Puede haber elegido un ciclo de lavado no adecuado. Seleccione nuevamente

Los elementos no estan secos

- La temperatura del agua es demasiado baja. Usted necesitará regular la temperatura del agua entre 120F\49C o elegir la opción de Secado a calor.
- Asegúrese de que el dispenser del líquido de enjuague este lleno y que se este utilizando una cantidad adecuada.
- Evite el amontonamiento o la sobrecarga.
- Cargue los elementos en una posición inclinada si es posible de modo que el agua circulará más facilmente.
- Elementos lavados con agua a mayor temperatura se secarán mas rapidamente.
- Algunos elementos de plásticos necesitan ser secados a toalla.

Algunos elementos estan rajados

- Esto se debe a la sobrecarga de la unidad. Usted debe ser cuidadoso cuando cargue los elementos de cocina. Debe colocar los vasos de forma segura contra de los pins. Los utensillos delicados deben estar en el estante del costado. Recomendamos que la vajilla china o copas u otros de cristal sean lavados a mano.
- No trabe los elementos unos con otros cuando este cargando el lavaplatos.
- Coloque los items delicados en el estante superior
- Mueva los estantes y rejillas delicadamente para evitar que se tambalee o resbale la vajilla.
- Asegúrese de que los platos y vasos esten acomodados correctamente para que no choquen entre sí.

Ruido

Algunos de los sonidos que se escucharán con normales de la operación

- Se escuchará el ruido del agua que entra a la unidad y el enjuague.
- La bomba de drenaje en operación
- La detención del motor despues de cada ciclo.
- Si algunos elementos no están seguros en los estantes se escuchará que estan siendo sacudidos alrededor del tubo.

Alta espuma del detergente

- Esto se debe al uso de un detergente regular para lavado a mano. El detergente a utilizar debe ser exclusivo para "lavavajillas automático" Usted debe utilizar un buen detergente para obtener mejores resultados.

Olores

- Esto puede deberse a un ciclo incompleto. Debe permitir que el ciclo de lavado sea completado en su totalidad.
- Nuevo detergente es utilizado. Esto es normal ya que distintos detergentes poseen diferentes fragancias.

Corrosión

- Se está utilizando mucho detergente. Utilice la cantidad apropiada. Reduzca la cantidad de detergente por carga.
- La temperatura del agua es demasiado caliente. Debe disminuir la temperatura del agua.
- Uso de detergente viejo. Lea la fecha de vencimiento del producto. Evite usar detergentes que estén pasados.
- No prelave la vajilla. Simplemente retire los excedentes de comida.

Tubo interior manchado

- Algunos detergentes poseen colorantes conocidos como pigmentos o tinte que pueden decolorar el tubo con un uso prolongado del mismo. Usted deberá cambiar el detergente por alguno que no posea colorante. Lea la etiqueta del producto cuidadosamente antes de utilizar.
- Algunos alimentos a base de elementos ácidos pueden decolorar el tubo. Utilizando el ciclo de enjuague puede ayudar a disminuir el nivel de manchas.

Manchitas y películas en la vajilla

Esto se debe a :

- Uso de poco detergente
- Agua con poca presión y de baja temperatura
- Carga inadecuada
- Utilización de detergentes viejos o en mal estado.
- Agua demasiado pesada

Agua

Problema de drenaje

- Controle el nivel de la manguera de drenaje. La manguera debe estar ubicada por debajo del drenaje de modo que el agua circule con facilidad.
- La manguera de desagüe está doblada, esto puede afectar al drenaje.
- Si el agua no pudiese salir correctamente la operación del lavavajillas se verá afectada y es probable que el proceso se detenga en la mitad del ciclo.
- Asegúrese de que el ciclo de lavado este completo antes de abrir la puerta.
- Asegúrese de que el escape de aire no esté bloqueado.
- La unidad está conectada a un dispositivo de basura, controle que éste no se encuentre lleno. Si es así, usted debe vaciar la basura.
- Controle cualquier tipo de obstrucción cerca del drenaje.
- Si el agua vuelve a la mesada usted debe chequear el dispositivo de basura
- Es normal encontrar un poco de agua cerca del drenaje.

El lavavajillas está perdiendo agua

- La unidad no está lo adecuadamente nivelada. Usted necesita poner el lavaplatos en una superficie llana y resistente. No coloque en lugares desnivelados.
- Asegúrese de que la unidad esté correctamente nivelada (ver las instrucciones de instalación)
- No sobrecargue de detergente o de liquido de enjuague ya que puede generar demasiada espuma y provocar desbordes de agua.
- No utilice detergentes regulares que no sea recomendados especialmente para uso en lavavajillas automático.

El lavavajillas no carga agua

- Controle que la entrada de agua este abierta.
- Controle la presión del agua. Asegúrese de que la presión sea correcta (entre 20 y 120 PSI)
- Verifique que el flotador de seguridad de llenado no esté obstruido y pueda moverse hacia arriba libremente.

Detergente en el compartimento

- No cargue la vajilla muy cerca del compartimento del detergente. Esto puede bloquear la salida automática del detergente.
- No utilice detergentes duros o viejos ya que son más difíciles de disolver y dejarán residuos.
- El ciclo está completo? El ciclo puede no estar completo.

El lavavajillas esta funcionando por un largo tiempo

- La temperatura del agua entrante esta por debajo de los 120F. Aumentando la temperatura del agua ayudará a que la operación sea de más corto tiempo.
- Llame al Centro de Atención al Cliente Haier en caso de que el problema no se resuelva.

Garantía Limitada

Servicio en la Casa

1 Año de Garantía

Por 12 meses contados a partir de la fecha de la compra original al detal, Haier reparará o reemplazará sin costo cualquier parte que falle debido a un defecto de materiales o de mano de obra.

2 Años de Garantía Limitada Sistema de Distribución de Agua (Partes Únicamente)

Por 24 meses contados a partir de la fecha de la compra original al detal, Haier cualquier parte del sistema de distribución de agua que falle debido a defectos fabricación. Esto incluye la bomba, el motor, el brazo inferior de lavado, el brazo intermedio de lavado y el rociador superior de la torre de lavado y el suministro de tubería y filtros relacionados con el sistema.

NOTA: Las partes relacionadas con la entrada de agua y la plomería de drenaje no están cubiertas por esta garantía.

Rejillas Revestidas con Vinilo (Partes Únicamente)

Por 24 meses contados a partir de la fecha de la compra original al detal, Haier reemplazará la rejilla superior o la inferior, revestidas con vinilo, que se pelen u oxiden debido a un defecto de fabricación.

Controles Giratorio Electromecánico (Partes Únicamente)

Por 24 meses contados a partir de la fecha de compra original al detal, Haier el control giratorio electromecánico que falle debido a defectos de fabricación.

De por vida (Partes Únicamente)

Tina de Acero Inoxidable y Revestimiento de la Puerta. Suministro de la tina o del revestimiento de la puerta, si el revestimiento de la puerta o la tina no retienen el agua debido a un defecto de fabricación.

NOTA: Esta garantía comienza en la fecha de compra del artículo y el recibo de compra original deberá presentarse al representante de servicio autorizado antes de que se realicen las reparaciones bajo garantía.

Excepciones: Garantía para Usos Comerciales o de Alquiler.

90 días a partir de la fecha de original, en cuanto a costos de mano de obra.

90 días a partir de la fecha de original, en cuanto a repuestos.

Ninguna otra garantía es aplicable.

Para Obtener Servicios de Garantía

Comuníquese con el centro autorizado de servicio de Haier más cercano. Todo servicio debe realizarse por un centro autorizado de servicio. Por favor, llame al 1-877-337-3639 para averiguar el nombre y número de teléfono del centro de servicio más cercano.

Antes de llamar sírvase tener a mano la siguiente información:

Número de modelo y número de serie de su aparato (se encuentra en el respaldo de la unidad, en la parte superior izquierda).

El nombre y dirección del distribuidor donde compró la unidad y la fecha de compra.

Una descripción clara del problema.

Una constan compra (recibo de compra).

Esta garantía protege las unidades dentro de los Estados Unidos continentales, Puerto Rico y Canadá. Lo siguiente no está cubierto por esta garantía:

Reemplazo o reparación de los fusibles de la residencia, protectores de circuito, cableado, o plomería.

Un producto cuyo número de serie original se ha removido o alterado.

Cualquier cargo por servicio fuera de lo no específicamente identificado como normal, tal como horas de servicio normal o área de servicio normal.

Daños a la vajilla, a vasos y cubiertos.

Daños causados durante el transporte.

Daños causados por instalación o mantenimiento defectuosos.

Daños causados por mal uso, abuso, accidente, incendio, inundación, o actos de la naturaleza.

Daños causados por servicio de la unidad por centros de servicio o distribuidores no autorizados por Haier.

Daños causados por corriente eléctrica de suministro o voltaje inapropiados.

Daños que resulten de cualquier modificación, alteración o ajuste de la unidad, no autorizados.

Ajuste de los controles de operación, del usuario, según se identifican en los manuales de operación.

Mangueras, botones, compartimientos para detergente, dispensador con agente líquido de enjuague y otros accesorios o aditamentos, y partes desechables.

Mano de obra, transporte y cargos de envío para el reemplazo o cambio de partes defectuosas, después de vencido el período inicial de 12 meses.

Daños producidos por usos que no sean los normales en una residencia.

Cualquier cargo por transporte y envío.

ESTA GARANTÍA LIMITADA SE OFRECE EN LUGAR DE TODA OTRA GARANTÍA, EXPRESA O QUE INCLUYE LAS GARANTÍAS DE COMERCIALIZACIÓN Y APTITUD PARA UN PROPOSITO EN PARTICULAR.

El alivio ofrecido en este garantía exclusivo y se ofrece en lugar de cualquier otro.

Esta garantía no cubre daños incidentales o consecuenciales, de manera que limitaciones arriba descritas pueden no serle aplicables.

Algunos estados no permiten limitaciones en cuanto al período de duración implícito en una garantía, por lo tanto las limitaciones descritas arriba pueden no serle aplicables.

Esta garantía le da derechos específicos y, además, usted puede tener otros derechos que varían de estado a estado.

Haier America
New York, NY 10018

IMPORTANT

Do Not Return This Product To The Store

If you have a problem with this product, please contact the
"Haier Customer Satisfaction Center" at 1-877-337-3639.

DATED PROOF OF PURCHASE, MODEL # AND SERIAL #
REQUIRED FOR WARRANTY SERVICE

IMPORTANT

NE PAS RETOURNER CET ARTICLE AU MAGASIN

En cas de problème avec cet article, veuillez contacter le « Centre satisfaction client » de
Haier au 1-877-337-3639.

UNE PREUVE D'ACHAT DATÉE, LE NUMÉRO DU MODÈLE ET LE NUMÉRO DE SÉRIE SONT
OBLIGATOIRES POUR BÉNÉFICIER DE LA COUVERTURE OFFERTE PAR LA GARANTIE.

IMPORTANTE

No Devuelva Este Producto al Establecimiento Compra.

Si tiene problemas con este producto, por favor póngase en contacto con el "Centro Haier
de Atención al Cliente" en el 1-877-337-3639.

PARA EL SERVICIO DE GARANTÍA SE REQUIERE PRUEBA DE COMPRA, FECHADA, No. DE
MODELO Y No. DE SERIE

Made in China
Fabriqué en Chine
Hecho en China

Haier

Haier America
New York, NY 10018

HDB24EA
Issued: December 05

Printed in China
Imprimé aux China
Impreso en los Chine

Part No.0120501086
Pièce N °0120501086
Pieza No.0120501086

Free Manuals Download Website

<http://myh66.com>

<http://usermanuals.us>

<http://www.somanuals.com>

<http://www.4manuals.cc>

<http://www.manual-lib.com>

<http://www.404manual.com>

<http://www.luxmanual.com>

<http://aubethermostatmanual.com>

Golf course search by state

<http://golfingnear.com>

Email search by domain

<http://emailbydomain.com>

Auto manuals search

<http://auto.somanuals.com>

TV manuals search

<http://tv.somanuals.com>