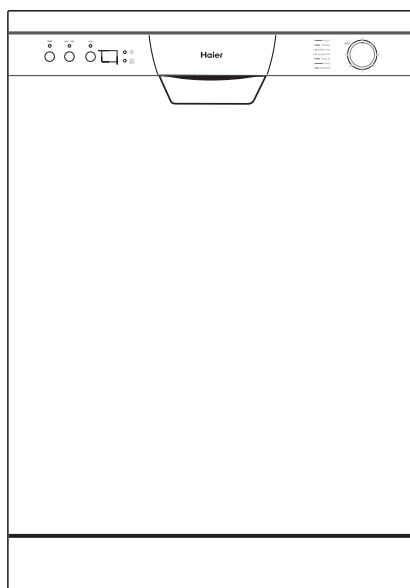


# Haier

Dishwasher  
HDW12-TFE3SS  
HDW12-TFE3WH  
Instructions for Use



0120504778D

|   |    |
|---|----|
| Safety information                                  | 2  |
| Installation  | 4  |
| Getting to know your dishwasher                     | 11 |
| How to fill rinse aid                               | 12 |
| How to fill the detergent dispenser                 | 13 |
| Not suitable for the dishwasher                     | 14 |
| Arranging crockery, glasses, etc. in the dishwasher | 15 |
| Programme overview                                  | 17 |
| Washing dishes                                      | 18 |
| How to keep your dishwasher in shape                | 21 |
| Care and maintenance                                | 22 |
| Trouble Shooting                                    | 23 |
| Technical data                                      | 28 |
| Important information                               | 28 |

### At time of delivery

- Check packaging and dishwasher immediately for signs of transport damage. If the appliance is damaged, do not put it into use but contact your supplier or customer service without delay.
- Please dispose of packaging materials properly.

### During installation

- This appliance is intended to be used in household and similar applications such as:
  - staff kitchen areas in shops, offices and other working environments.
  - farm houses.- by clients in hotels, motels and other residential type environments.
  - bed and breakfast type environments.
- Site the dishwasher and connect it up in accordance with the installation instructions.
- The dishwasher must not be connected to the electricity supply while installation is being carried out.
- Ensure that the domestic wiring is properly earthed.
- The mains electricity supply must conform to the details shown on the dishwasher nameplate.
- Do not connect the dishwasher to the electricity supply via an extension cable.
- After the appliance has been installed, the mains plug should still be easily accessible.
- During installation, the power supply cord must not be excessively or dangerously bent or flattened.

### During normal use

- The door should not be left in the open position since this could present a tripping hazard.
- The dishwasher must only be used by adults for the washing of household dishes and cooking utensils.
- This appliance cannot be installed outdoor, not even if the area in which it is installed is covered by a roof; it is also very dangerous to leave it exposed to the rain and elements.
- Do not place any heavy objects or stand on the door when it is open. The appliance could tip forward.
- The water inside the dishwasher is not suitable for drinking.  
Do not use solvents of any kind inside your dishwasher. They could cause an explosion danger.
- Open the door very carefully if the dishwasher is operating. There is a risk of water squirting out.
- Do not touch the heating element during or after a wash cycle.
- Fundamental rules to follow when using the appliance:
  - Never touch the dishwasher when barefoot or with wet hands or feet;
  - We discourage the use of extension cords and multiple sockets;
  - If the appliance is not operating properly or maintenance must be performed, disconnect the appliance from the power supply.

### If your family includes children

- This appliance is not intended for use by persons (including children) with reduced physical, sensory or mental capabilities, or lack of experience and knowledge, unless they have been given supervision or instruction concerning use of the appliance by a person responsible for their safety.
- Children should be supervised to ensure that they do not play with the appliance.
- Keep detergents out of the reach of children, who must also be kept away from the dishwasher when it is open.

### If a fault occurs

- If the appliance malfunctions, turn off water supply to the appliance and disconnect the power supply turn off and the plug from the wall socket. Then, consult the section entitled, "Fault finding" .If you cannot solve the problem, contact a service center.
- Only specialised personnel are authorised to make repairs.  
If the supply cord is damaged, it must be replaced by the manufacturer, its service agent or similarly qualified persons in order to avoid a hazard.
- To maintain the EFFICIENCY and SAFETY of this appliance, we recommend:
  - call only the Service Centers authorized by the manufacturer, or the approved Service agents.
  - always use original Spare Parts.

### When disposing of old appliances

- Appliances which are no longer being used must be made inoperable by cutting the power supply cord and removing the door lock.
- Take the appliance to a designated waste disposal center.



**Dangerous voltage**



#### **Warning**

**Children could get locked in the appliance (risk of suffocation).  
Therefore: Remove the mains plug, cut the mains wire and set aside. Damage the door lock so that the door can no longer be closed.**

## Installation

### Before you start

#### Safety and compliance

- These instructions are intended as a guide only. It is the responsibility of the installer to ensure that installation complies with applicable regulations and local government by-laws.
- Installation must be performed by a suitably qualified person. Incorrect installation or malfunctioning resulting from incorrect installation are not covered by warranty.
- Carefully read through the 'Safety and warnings' section of this document.
- The dishwasher must not be connected to the electrical supply while it is being installed. Ensure all domestic wiring is properly earthed.
- If an old appliance is being replaced, make sure it is disposed of properly. To avoid children getting trapped or injured while playing with an old appliance, ensure you remove any doors, door locks and cables from it.
- In order to ensure that the dishwasher is stable, it must be installed under a continuous surface which is attached to adjacent cupboards.

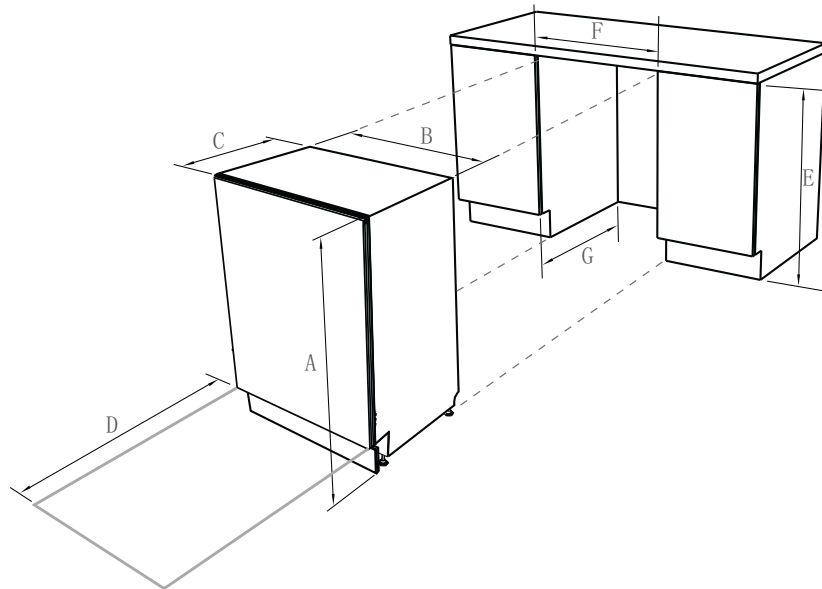
#### Unpacking and handling

- Check packaging and dishwasher for signs of transport damage. If the dishwasher is in any way damaged, do not install it. Contact the dealer the dishwasher was purchased from.
- Disposal of packaging: some of the packaging is recyclable. Check the symbols and labels and recycle if possible.
- Never lift the dishwasher from the door handle or the top panel. Doing so may cause damage. Always be careful with the hoses and power cord at the back of the dishwasher. Careful handling will prevent damage and malfunction from squashing, kinking or cuts.
- While installing the dishwasher, check the drain hose is not restricted or kinked.

#### Connections and services

- Check that the power cord is long enough to reach the outlet. If it isn't, it must be replaced by a Haier authorised technician. Extension cords or multi-outlet power boards should not be used to connect the dishwasher to the power supply.
- Check that the hoses are long enough to reach the services. If a hose needs extending, ensure that the extension hose is new and of equal quality and diameter to the one already fitted.  
Note: the drain hose should not be longer than 4 m, as a longer drain hose will cause reduced performance.
- The dishwasher should not be connected to a water system where the temperature exceeds 60°C, or where there is no temperature control, e.g. wetback system, unless the system is fitted with a suitable tempering valve.
- The dishwasher must not be connected to an undersink high-pressure "push-through" type hot water system, as damage to the system will result.

## Product and cabinetry dimensions



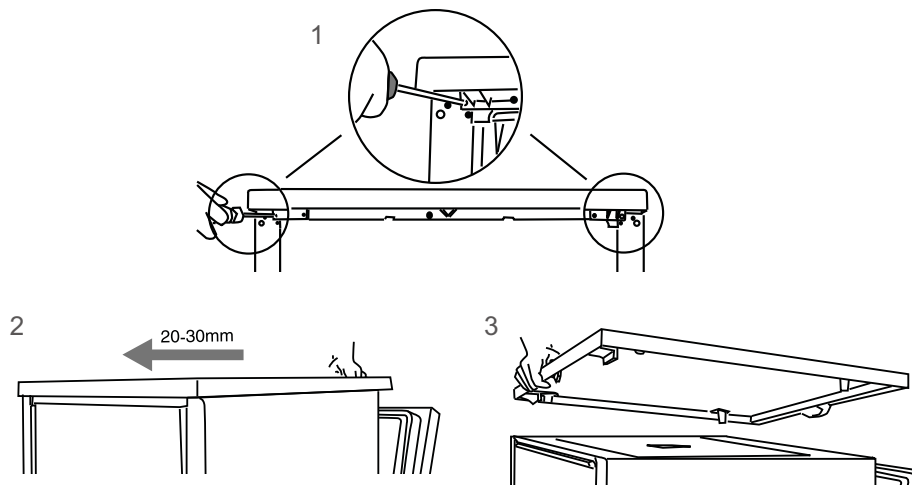
| Product dimensions(mm)   |   |  |
|--------------------------|---|--|
| A                        | overall height of product<br>with top panel in place<br>with top panel removed* | 850 (min) -870 (max)**<br>820 (min) -840 (max)** |
| B                        | overall width of product  | 600  |
| C                        | overall depth of product  | 600  |
| D                        | depth of open door<br>(measured from front of kickstrip)                        | 595  |
| Cabinetry dimensions(mm) |   |  |
| E                        | inside height of cavity<br>with top panel in place<br>with top panel removed*   | 855 (min) -875 (max)**<br>825 (min) -845 (max)** |
| F                        | inside width of cavity  | 605  |
| G                        | inside depth of cavity  | 605  |

\* The top panel may be removed to suit underbench cavity height. See instructions further below.

\*\*Depending on feet height adjustment.

### Preparing the product and cabinetry

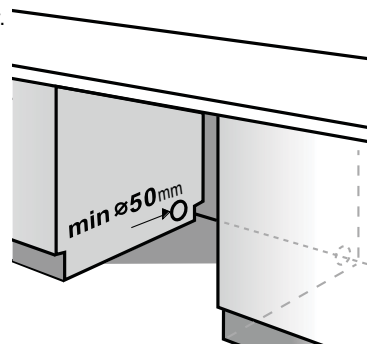
- The top panel may be removed to suit underbench cavity height. See the illustrations below.



### Important!

To prevent possible steam damage to the cabinetry, ensure that any bare wood surrounding the dishwasher is sealed with an oil-based paint or moisture-proof polyurethane.

- Services can be located either side of the dishwasher. Ensure that the services hole has a minimum diameter of 50 mm.

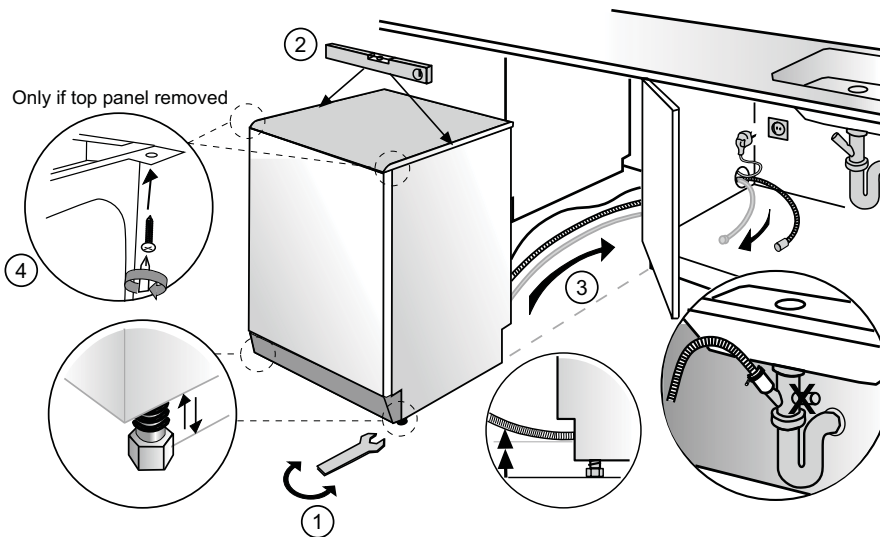


## Levelling and positioning the dishwasher

- Before sliding the dishwasher into position, adjust the feet with a spanner (1) to ensure that the dishwasher is level (2) and the required height.
- Do not lift the dishwasher from the door handle or top panel.
- Position the dishwasher in the cavity, ensuring that the hoses and power cord don't get bent, crimped, or trapped under the dishwasher in the process (3).
- If you install the dishwasher with the top panel removed, we recommend that you fix the dishwasher to the bench using the top brackets, as shown (4).

### Important!

Ensure that you do not damage the bench by using fixing screws that are too long for it.





## Plumbing -- Waste connection

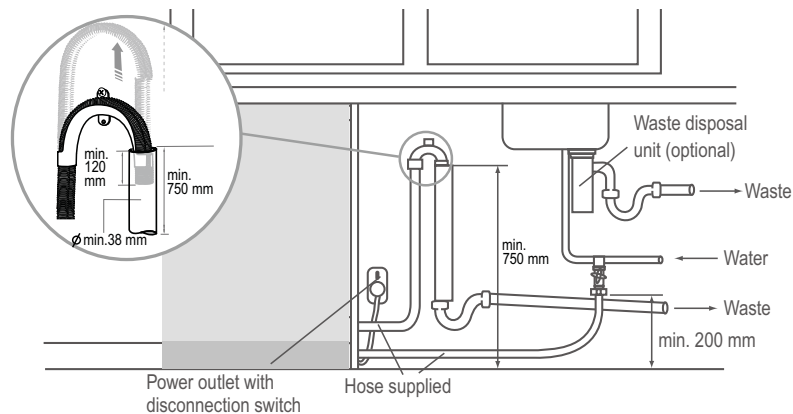
These drainage options are designed to eliminate problems that occur with combined sink-dishwasher waste systems.

### Drainage option A: Separate sink and dishwasher waste systems

- The standpipe must have a minimum diameter of 38 mm and stand 750 mm above the floor.
- Use the supplied drain hose support to hold the drain hose in place in the standpipe.

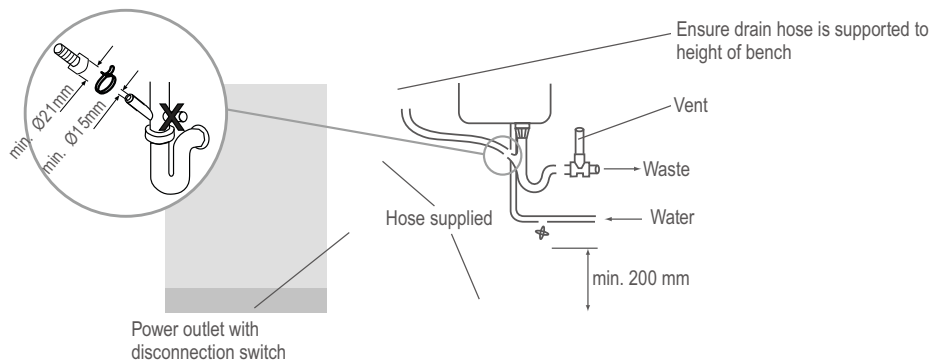
### Important!

We do not recommend connecting the drain hose or drain pipe directly to a built-in waste disposal unit.



### Drainage option B: Combined sink and dishwasher waste systems

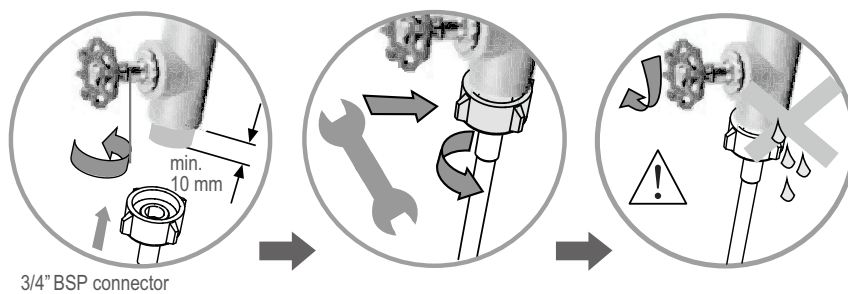
- When connecting the drain hose to a sink trap with a drain hose spigot, make sure that the drain hose is supported to the height of the bench.
- Ensure the drain spigot has a minimum hole diameter of 15 mm and it has been drilled out.
- Secure the drain hose connection with the clip supplied.



## Plumbing -- Water inlet connection

### Important!

- The appliance should be connected to the water main using the new water inlet hose supplied. Old hoses should not be used.
  - Do not shorten the inlet hose.
- 1 Take note of water connection requirements.
    - The dishwasher has a single valve water connection.
    - We recommend a cold water connection for best performance and energy efficiency.
    - The incoming water temperature should not exceed 60°C.
  - 2 Take note of the permitted water pressure extremes.
    - Lowest: 0.3 bar = 3 N/cm<sup>2</sup> = 30kPa
    - Where pressure is below 1 bar, contact a qualified plumber.
    - Highest: 10 bar = 100 N/cm<sup>2</sup> = 1MPa
    - Where pressure is above 10 bar, a pressure reduction valve must be installed. Contact a qualified plumber.
  - 3 Connect the water inlet hose to an accessible water tap with a 3/4" BSP connector. Ensure that there is no kink in the inlet hose that could restrict the flow of water. A 90° bend requires a minimum height of 200 mm for a kink-free curve.
    - Ensure incoming water is clear. If the water pipes have not been used for a long period of time, let the water run to make sure it is clear with no impurities. Not doing so may result in the water inlet hose getting blocked and damaging the appliance.
    - If required, use a filter insert to filter out deposits from the piping. The filter insert is available from your Authorised Service Centre or Customer Care.
  - 4 Tighten the hose coupling a further half turn after seal contact.
  - 5 Check that the connection does not leak.



## Electrical connection

- The dishwasher must not be connected to the electrical supply while installation is being carried out. Ensure all domestic wiring is properly earthed.
- Check the rating label and ensure that the voltage and frequency values for the current in the house correspond to those on the rating label.
- Insert the plug into a properly earthed power outlet that has a disconnection switch.

### Important!

- The earthing of the appliance is a safety requirement mandated by law.
- If the power cord is not long enough to reach the outlet or the outlet to which the appliance must be connected is not appropriate for the plug, the entire dishwasher power cord must be replaced. This should only be done by a Haier authorised technician. Do not modify or cut the plug. Do not use an adaptor, extension cord, or multi-outlet power board to connect the dishwasher to the power supply, as these could cause overheating and create a fire hazard.
- The outlet into which the dishwasher is plugged must remain easily accessible (e.g. in an adjacent cabinet) even when the appliance is installed. This is to ensure that the dishwasher can be disconnected from the power supply for safe cleaning and maintenance.

## Installer final checklist

- Check that the door opens and closes freely without resistance to adjacent cabinetry.
- Check that the plug is accessible.
- Check that the dishwasher is level. If necessary, adjust the levelling feet slightly. To ensure optimum performance, the dishwasher should not be inclined more than 2°. Check with a spirit level.

## Getting to know your dishwasher

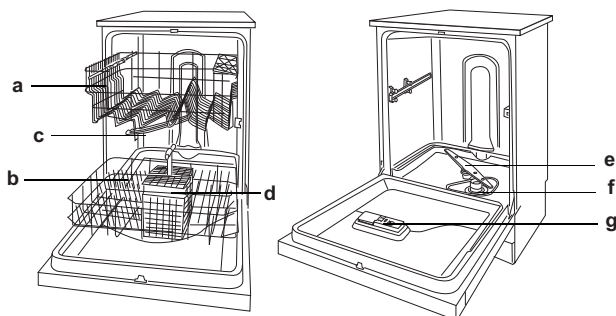
EN

### Close-up view (control panel)



- |                             |  |
|-----------------------------|--|
| <b>A</b> "POWER" Light      | <b>F</b> "DELAY" Button                |
| <b>B</b> "POWER" Button     | <b>G</b> Time-remaining Indicator      |
| <b>C</b> "HALF LOAD" Light  | <b>H</b> Low Rinse Aid Indicator Light |
| <b>D</b> "HALF LOAD" Button | <b>I</b> Heat Indicator Light          |
| <b>E</b> "DELAY" Light      | <b>J</b> Knob For Selecting Cycle      |

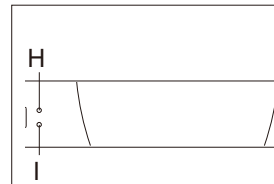
### Dishwasher interior



- |                            |  |
|----------------------------|--|
| <b>a</b> Upper Rack        | <b>e</b> Bottom Spray Arm                  |
| <b>b</b> Lower Rack        | <b>f</b> Washing Filter                    |
| <b>c</b> Top Spray Arm     | <b>g</b> Detergent and Rinse Aid Dispenser |
| <b>d</b> Silverware Basket |  |

### Rinse aid

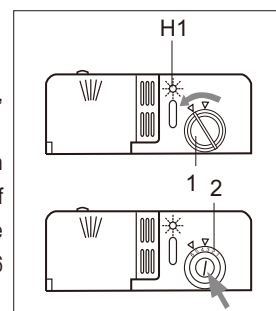
This product makes dishes sparkle and helps them to dry without spotting. The dispenser is located on the inside panel of the door. When the low rinse aid indicator "H" on the control panel and the mechanical indicator "H1" on the dispenser light, you must load rinse aid.



### Loading the rinse aid

Regardless of the type of detergent dispenser installed on your appliance, you must proceed as indicated below when loading the rinse aid.

To open the dispenser, turn the "1" cap in an anti-clockwise direction and then pour in the rinse aid, making sure not to overfill. The amount of rinse aid used for each cycle can be regulated by turning the "2" dose adjuster, located beneath the "1" cap, with a screwdriver. There are 6 different settings; the normal dosage setting is 3.



### Important

Proper dosage of the rinse aid improves drying. If drops of water remain on the dishes or spotting occurs, the dosage adjuster should be turned to a higher setting. If the dishes have white streaks, turn the dosage adjuster to a lower setting.

## How to fill the detergent dispenser

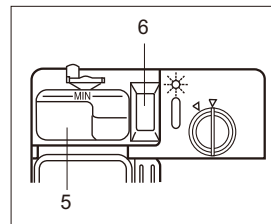
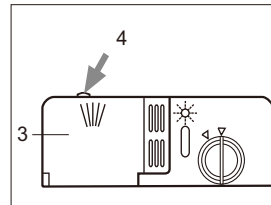
EN

### Detergent

Detergent specifically intended for use with dishwashers must be used. The dispenser must be refilled before the start of each wash cycle following the instructions provided in the "Programme overview". The detergent dispenser is located on the inside panel of the door.

### Loading the detergent

- To open the "3" cover on the dispenser, press the "4" button.
- The detergent for the wash cycle should be poured into the "5" compartment.
- The detergent for the pre-wash cycle should be poured into the "6" compartment.
- After the detergent has been placed in the dispenser, close the cover and press down until it clicks in place.



#### Notice:

To facilitate closing the cover, remove any excess detergent on the edges of the dispenser.



#### Notice:

DO NOT use 3 in 1 or similar tablets when Heat Wash, Rapid Wash and Soak programmes are selected.



#### Warning:

Do not place the tablets in the tub or the cutlery basket as this will result in poorer wash results. The tablets should be placed in the detergent doser.

### What you should not put into the dishwasher

Cutlery and tableware manufactured in whole or part from wood. They become faded and unsightly in appearance. Furthermore, the adhesives that are used are not suitable for the temperature that occur inside the dishwasher. Delicate decorative glassware and vases, special antique or irreplaceable china. The decorative patterns on such items will not be dishwasher-proof.

Plastic objects that are not resistant to hot water, copper and pewter utensils are also not suitable. Decorative patterns printed or painted onto the surface of crockery, glasses, etc., aluminium and silver items tend to become discoloured or faded if washed in the dishwasher. Some types of glass can become opaque in appearance after they have been washed many times in a dishwasher. Highly absorbent materials, such as sponges and towels, should never be placed in the dishwasher.

### Our recommendation

In future, only purchase table or kitchenware that has been confirmed as being dishwasher-proof.



#### Important

Dishes or cutlery that have been soiled by tobacco ash, wax, lubricating grease or paint, should not be put in the dishwasher.

### Damage to glassware and other dishes

#### Possible causes

- type of glass or manufacturing process
- chemical composition of detergent
- water temperature and duration of dishwasher programme.

#### Suggested remedy

- Use glassware or porcelain dishes that have been marked 'dishwasher-proof' by the manufacture.
- Use a mild detergent that is described as 'kind to dishes'. If necessary, seek further information from detergent manufacturers.
- Select a programme with a low temperature and a short duration as possible.
- To prevent damage, take glass and cutlery out of the dishwasher as soon as possible after the programme has ended.

## Arranging crockery, glasses, etc. in the dishwasher EN

Before placing the dishes in the dishwasher, remove larger food particles to prevent the filter from becoming clogged, which results in reduced performance.

If the pots and pans have baked-on food that is extremely hard to remove, we recommend that they are soaked before washed. This will eliminate the need for extra wash cycles.

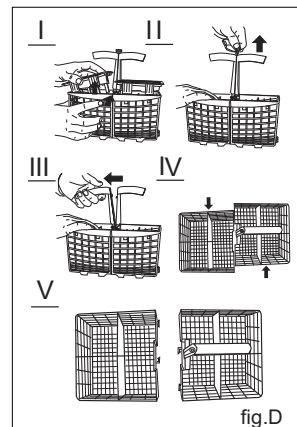
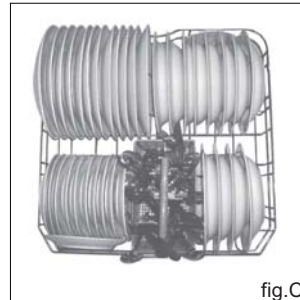
Pull out the rack to load the dishwasher.

### How to use the lower rack

We recommend that you place the most difficult to clean items on the bottom rack: pots, pans, lids, serving dishes and bowls, as shown in the figure to the right.

It is preferable to place serving dishes and lids on the sides of the racks in order to avoid blocking the rotation of the top spray arm.

- Pots, serving bowls, etc. must always be placed face down. (see fig.C)
- Deep pots should be slanted to allow the water to flow out.
- The silverware basket can be doubled (see fig.D) so that only one section may be used when the silverware load is light. This also makes space for additional pots and pans and it can also be placed in the upper rack.
- Silverware should be placed in the silverware basket with the handles at the bottom; if the rack has side baskets, the spoons should be located individually into the appropriate slots. Especially long utensils should be placed in the horizontal position at the front of the upper rack.(see fig.D)



### Warning

Knives and other utensils with sharp points must be loaded in the basket with their points down or placed in a horizontal position.



## How to use the upper rack

The upper rack is designed to hold more delicate and lighter dishware, such as glasses, cups and saucers, plates, small bowls and shallow pans (as long as they are not too dirty)(see fig.E).

- Position the dishes and cookware so that they do not get moved by the spray of water.
- The upper rack can be adjusted for height by using the knobs located on both sides of the rack itself (see fig.F).

Adjust the upper basket to the higher level and you have more space to accommodate those taller pans and trays in the bottom basket.

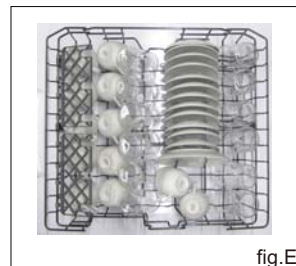


fig.E

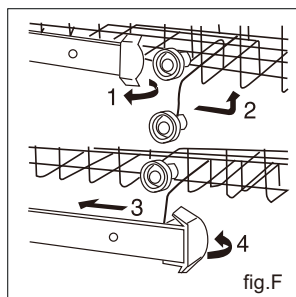


fig.F

## Shelf

Lean tall glasses and those with long stems against the shelf- not against other items to be washed.

Place glasses, cups and small bowls on the additional cup rack. The additional cup rack can be swivelled in or out as required (see fig.G).

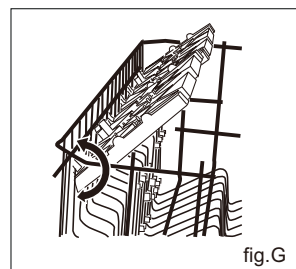


fig.G

## Knife rack

The knife rack clips onto the side of the top basket, giving you the freedom to wash your large sharp knives separately and out of harm's way (see fig.H).

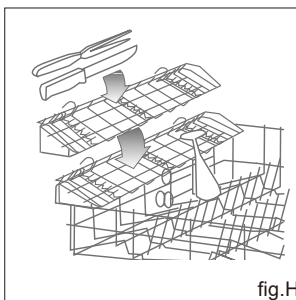


fig.H

## Programme overview

EN

| Wash programme | Types of load   | Description of cycle  | Half Load | Detergent |               | Rinse Aid |
|----------------|---|---|-----------|-----------|---------------|-----------|
|                |   |   |           | Prewash   | Extended Wash |           |
| HEAVY          | Very dirty dishes, pots and pans. (Not to be used with delicate items.)   | Pre-wash with hot water.<br>Extended wash.<br>Rinses with cold water.<br>Rinse with hot water.<br>Drying. | —         | 5g        | 25g           | ●         |
|                |   |   | ●         | 5g        | 15g           | ●         |
| NORMAL         | Dirty dishes, pots and pans.  | Prewash use cold water.<br>Extended wash.<br>Rinse with cold water.<br>Rinse with hot water.<br>Drying.   | —         | 5g        | 25g           | ●         |
|                |   |   | ●         | 5g        | 15g           | ●         |
| NORMAL ECO     | Normally soiled load.   | Prewash use cold water.<br>Extended wash.<br>Rinse with cold water.<br>Rinse with hot water.<br>Drying.   | —         | 5g        | 25g           | ●         |
|                |   |   | ●         | 5g        | 15g           | ●         |
| GLASSWARE      | Economic cycle for delicate items. Run immediately after dishes are used. | Extended Wash.<br>Rinse with cold water.<br>Hot rinse.<br>Drying.   | —         | —         | 25g           | ●         |
|                |   |   | ●         | —         | 15g           | ●         |
| QUICK 30       | Very lightly soiled mixed dishes.   | Short wash.<br>Cold rinse.  | —         | —         | 15g           | —         |
|                |   |   | ●         | —         | 12g           | ●         |
| RINSE          | For dishes that only require a rinse and dry.                             | Hot rinse.<br>Drying.   | —         | —         | —             | ●         |
|                |   |   | ●         | —         | —             | ●         |
| PRE-RINSE      | Pre-rinse of dishes while waiting for a full load.                        | Short cold wash to prevent food residue from drying on the dishes .                                       | —         | —         | —             | —         |
|                |   |   | ●         | —         | —             | ●         |

When the programme is finished leave the door open 30°(approximately 100mm) to improve the drying performance.

“●” be able to applied “—”not to be applied

## Programme selection

The most appropriate programme can be identified by comparing the type of crockery, cutlery, etc., as well as the amount and condition of food remains, with the details contained in the wash cycle table. The corresponding programme sequence, duration and consumption details are shown in the right half of the overview. For example:

Use the « Normal Eco » programme for dishes and utensils which have normally soiled items.

## Small loads

If only a small number of dishes have been loaded into the dishwasher, selecting the "Half load" function which should be sufficient.

## Programme data

The stated programme data are based on standard operating conditions. The values can vary considerably according to:

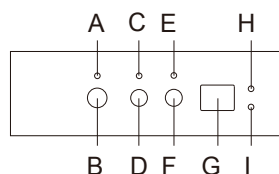
- different amounts of dishes
- temperature of mains water supply
- pressure of mains water supply
- ambient temperature
- fluctuations in mains voltage
- machine-related factors (e.g. temperature, water volume,...)

## Switching the dishwasher ON

- Turn on the tap.
- Close the door after loading the appliance
- Set On-Off button "B" to On. The state indicator "A" light.
- Rotate the knob to select programme you wish.

The time-remaining indicator display the time of the programme you selected.

After 3 seconds the appliance emits a short warning signal, and start the programme, the state indicator "A" blinks .



### Warning

When the dishwasher power on, the programme which the knob indicated can not be carried out, you must Rotate the knob to another programme and then back to it.

## End of programme

- Six beeps will indicate that the wash cycle has finished and the state indicators "A" light.

## Switching the dishwasher OFF

Several minutes after the programme has ended:

- Set On-Off button to Off
- Open the door .
- Turn the water tap off.
- Remove dishes, etc. when they have cooled down.



### Notice:

When the appliance is already underway press the button "B" for 3 seconds, all of the settings will be cancelled.

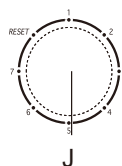
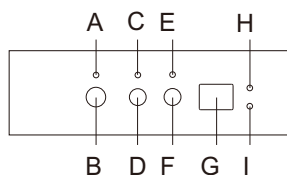
## Interrupting the programme

- Open the door. Caution! There is a risk of water squirting out from inside the appliance. Do not open the door fully until spray arm has stopped rotating.
- When you open the door, the dishwasher will beep ten times every thirty seconds.
- If the appliance has already heated up or the hot water was switched ON and then the appliance door opened, leave the door ajar for several minutes and then close. Otherwise, the appliance door may open due to expansion.

## Delayed start programming

You can delay the start of a programme in increments of 1 hour up to 24 hours.

- Close the door after loading the appliance.
- Switch dishwasher ON.
- Immediately press the Delayed Start button " F ", the delayed start indicator " E " blinks, the remaining time indicator " G " changes to " 1h ".
- Press the Delayed Start button for 2 seconds until the numerical display show the required delay.
- To cancel the time delay setting, pressing the Delayed Start button until the delayed start indicator " E " goes out.
- Rotate programme knob " J " to select the desired programme.



- After 3 seconds the delayed start indicator " E " blinks, the time-remaining indicator " G " will blink and decrease , the programme will start until the delayed start indicator " G " goes out .

### Canceling or modifying a cycle

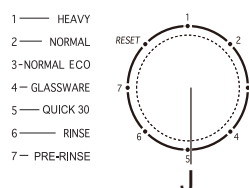
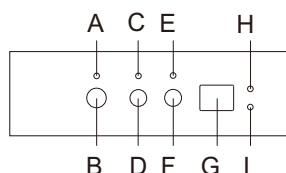
- A cycle that is underway can be modified if it has only been running for a short time. Otherwise, the detergent may have already been used, and the appliance may have already drained the wash water. If this is the case, the detergent dispenser must be refilled ( see the paragraph entitled, " Loading the detergent ").
- To modify a cycle that is already underway, follow the instructions contained in the paragraph entitled "Reset drain function", and select the programme you wish (see the paragraph entitled, "Switching the dishwasher ON").

### "HALF LOAD" Button

This button (see " Close-up View (Control Panel), letter " D ") makes it possible to wash dishes using only the upper rack if there are not enough dishes for a full load. This will allow you to save on water and energy consumption.

#### To select "HALF LOAD":

- Press the HALF LOAD load button " D ", HALF LOAD load indicator " C " lights.
- Select the programme ( see the paragraph entitled " Switching the dishwasher ON")
- If the door is closed, after 3 seconds, the programme starts automatically.
  - Please keep in mind that the amount of detergent should also be adapted to the HALF LOAD.
  - To cancel the HALF LOAD , you can press the HALF LOAD button " D " again , until the HALF LOAD indicators " C " goes out.



### Reset drain function

You can use Reset drain function to stop the washing cycle under running by Rotating the knob to "Reset", and the appliance will stop after a few minutes drain phase.

### After Every Wash

After every wash, turn off the water supply the appliance and leave the door slightly ajar so that moisture and odors are not trapped inside.

### Remove the plug

Before cleaning or performing maintenance, always switch off the remove the plug from the socket. Do not run risks.

### No solvents or Abrasive Cleaning Products

To clean the exterior and rubber parts of the dishwasher, do not use solvents or abrasive cleaning products. Rather, It is recommended that you use only a cloth and warm soapy water.

To remove spots or stains from the surface of the interior, use a cloth dampened with water and a little white vinegar, or cleaning product made specifically for dishwashers.

### Moving the Appliance

If the appliance must be moved, try to keep it in a vertical position. If absolutely necessary, it can be positioned on its back.

### Seals

One of the factors that cause odors to form in the dishwasher is food that remains trapped in the seals. Periodic cleaning with a damp sponge will prevent this from occurring.

The door should not be left in the open position since this could present a tripping hazard.

### When You Go on Holiday

When you go on holiday, it is recommended that you run a wash cycle with the dishwasher empty and then remove the plug from the socket, turn off the water supply and leave the door of the appliance slightly ajar. This will help the seals last longer and prevent odors from forming within the appliance.

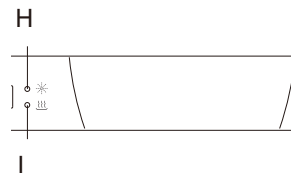
Regular inspection and maintenance of your appliance helps to prevent problems from occurring. This saves time and aggravation. You should therefore carefully inspect the inside of your dishwasher from time to time.

### Overall condition of appliance

- Check that no grease or scale has accumulated on the inside of the dishwasher.  
If you discover any deposits:
- Clean the interior of the dishwasher thoroughly with a dishwasher detergent solution.

### Rinse-aid

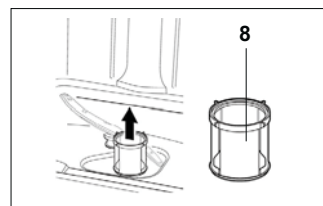
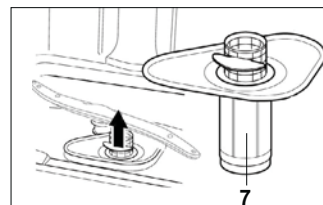
Check the LOW RINSE AID indicator " H ", on the front panel. Top up with rinse-aid, if required.



### Filters

The filters " 7 ", " 8 " prevent larger particles of food in the water from reaching the pump. These particles may occasionally block the filters.

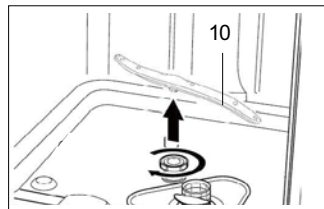
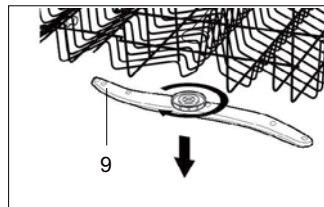
- When the appliance has finished washing, check the filters for particles of food and, if required, clean.
- After undoing the coarse micro-filter " 7 ", the filter unit " 8 " can be removed. Remove any particles of food and rinse the filters under running water.
- Insert the filter unit " 8 " and tighten the coarse micro-filter.



## Spray arms

Lime and remnants of food in the washing water can block the nozzles in the spray arms " 9 " and " 10 " and the arm mountings.

- Inspect the nozzles in the spray arms for blocked holes due to remnants of food.
  - If necessary, pull the lower arm " 10 " upwards and lift it off.
  - Unscrew the upper spray arm " 9 ".
  - Clean both spray arms under running water.
  - Refit the spray arms. Ensure that the lower arm has locked into place and the upper one is screwed tight.
- Ensure that the power supply is turned off prior to removal and cleaning of any internal parts.



## Trouble Shooting

### Resolving minor problems yourself

Experience has shown that you can resolve most problems that arise during normal daily usage yourself, without having to call out a service engineer. Not only does this save costs, but it also means that the appliance is available for use again that much sooner. The following list of common occurrences and their remedies should help you identify the causes of most problems.

#### Problems...

#### ...when the appliance is switched on

##### Appliance does not start up

- Fault with fuse in mains electricity supply.
- Plug not inserted in wall socket.
- Appliance door not closed properly.
- Programme button has not been pressed.
- Water tap not turned on.
- Blocked strainer in water intake hose.
  - The strainer is situated in the Aquastop or supply-hose connection.



#### Caution

Do not forget that repairs should only be carried out by a qualified specialist. Improper repairs can lead to considerable equipment damage as well as danger to the user.



### Error display on the time-remaining indicator

When the buzzer emits 10 short warning signal every 30 seconds and the time-remaining indicator display "E3"

Have you checked whether:

- the drain hose is too low.



When the buzzer emits 10 short warning signals every 30 seconds and the time-remaining indicator display "E4"

Have you checked whether:

- the drain hose is crimped or bent.
- the drain hose is too high.



When the buzzer emits 10 short warning signals every 30 seconds and the time-remaining indicator display "E5"

Have you checked whether:

- the water is turned on and the hose is connected properly;
- the water supply to the house is on and has sufficient pressure;
- the water supply hose is crimped or bent;
- the filter for the water supply hose is clogged.
- the drain hose is too low.



**When the buzzer emits 10 short warning signals every 30 seconds and the time remaining indicator display "E2" or "E6", Contact the nearest authorized service center.**

**If you take all these checks and the dishwasher still does not function or your dishwasher have any other error display, you can power the dishwasher OFF, and wait a few minutes. You can power the dishwasher on, try it again , if the dishwasher still does not function and/or the problem persists, contact the nearest authorised service center and provide them with the following information:**

- the nature of the problem.
- the model type number (Mod...) And the serial number (S/N...), which are indicated on the plate located on the side of the inner part of the door.

**Lower spray arm rotates with difficulty**

- Spray arm is blocked by small items or food remains.

**Lid in detergent compartment cannot be closed**

- Detergent compartment has been overfilled.
- Mechanism is clogged with remnants of detergent.

**Remnants of detergent stuck inside dispenser**

- Compartment was damp when it was filled up with detergent. Compartment must be dry before detergent is added.

**Water remains inside appliance after programme has ended**

- Blockage or kind in drainage hose.
- Pump is jammed.
- Filters are blocked.
- The programme is still running. Wait for the programme to end .

**...during washing****Unusual amount of foam is creased**

- Normal washing up liquid has been poured into the rinse-aid container.
- Remove any spilled rinse aid with a cloth as it could otherwise lead to excessive foaming during the next washing cycle.

**Appliance stops suddenly while washing is taking place**

- Cut off electricity supply to appliance.
- Water supply has been interrupted.

**Knocking sound can be heard while washing is taking place**

- A spray arm is knocking against the dishes inside the appliance.

**Rattling sound can be heard while washing is taking place**

- Crockery has not been stacked properly inside the appliance.

**Knocking sound coming from inlet valves**

- This is caused by the way the water pipes have been laid and it has no effect upon the way the appliance functions. There is no remedy for this.

**...with the dishes, cutlery, etc.****Remnants of food are stuck to the dishes, cutlery, etc.**

- Dishwasher was not loaded properly. Jets of water could not reach all parts of the dishes, ect.
- Too many items in the rack.
- Items in the rack were touching each other.
- Not enough detergent was added to dispenser.
- Selected wash programme was not intensive enough.
- Rotation of spray arm was obstructed by dishes, etc.
- N ozzles in spray arm are blokcked by remnants of food.
- Filters are blocked.
- Filters have been incorrectly fitted.
- Waste-water pump is jammed.

**Plastic items are discoloured**

- Not enough detergent was added to dispenser.
- Detergent has insufficient bleaching properties. Use a detergent containing a chemical bleaching agent.

**White stains are left on crockery, glasses have a milky appearance**

- Not enough detergent was added to dispenser compartment.
- Amount of rinse-aid was set too low.
- Although water is quite hard, no salt has been put in appliance.
- Water softener was set too low.
- Lid on salt container is not screwed tight.
- If you used a phosphate-free detergent, try a detergent containing phosphates and compare results.

**Dishes, cutlery, etc. have not been dried**

- Selected programme did not include drying function.
- Amount of rinse-aid was set too low.
- Items were removed from dishwasher too soon.

**Glasses have a dull appearance**

- Amount of rinse-aid was set too low.

**Tea stains or traces of lipstick have not been completely removed**

- Detergent does not have a sufficient bleaching effect.
- Washing temperature was set too low.

**Traces of rust on cutlery**

- Cutlery is not sufficiently rustproof.
- Salt content in washing water is too high.
  - Lid on salt container is not screwed tight.
  - Too much salt was spilt while filling container.

**Glasses become clouded and discoloured; coating cannot be wiped off**

- Unsuitable detergent was used.
- Glasses are not dishwasher-proof.

**Smears left behind on glasses and cutlery; glasses have acquired a metallic appearance**

- Amount of rinse-aid set too high.

## Technical data

EN

|                           |                            |
|---------------------------|----------------------------|
| Width                     | 60 cm                      |
| Depth                     | 60 cm                      |
| Height                    | 85 cm                      |
| Capacity                  | 12 standard place settings |
| Mains water pressure      | 0.03-1.0MPa                |
| Power voltage             | 220-240V~ 50Hz             |
| Maximum current intensity | 10A                        |
| Total absorbed power      | 1950W                      |

## Important information

### Notes on waste disposal

Old appliances still have some residual value. An environment-friendly method of disposal will ensure that valuable raw materials can be recovered and used again.

When an appliance has reached the end of its working life, unplug it from the mains. Cut through the mains cable and dispose of it together with the plug.

Destroy the door locking mechanism. This will ensure that children at play cannot become locked inside and are not exposed to the risk of suffocation.

Your new appliance was protected by suitable packaging while it was on its way to you. All materials used for this purpose are environment-friendly and can be recycled. Please make a contribution to protecting the environment by disposing of the packaging appropriately.

Do not allow children to play with any parts of the packaging. There is a risk of suffocation by the cardboard boxes and the plastic wrapping.

Up-to-date information concerning options for disposal can be obtained from your retailer or local municipal administration.

## General information

- Measures must be taken to ensure that built-under and built-in units that are subsequently re-sited as free-standing appliances cannot topple over. This can be achieved by bolting the dishwasher to the wall or fitting it under a continuous work surface which is screwed to the adjacent cupboards.

## Information on comparability tests implemented in compliance with AS/NZS 2007

Appliance loaded in accordance with standard specifications.

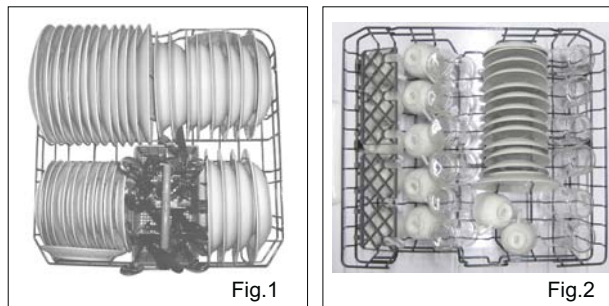
Example of loaded dishwasher: See fig. 1 , 2.

Capacity: 12 place settings

Comparability programme: NORMAL ECO

Rinse-aid setting: 5

Detergent: 5g+25g



Height-adjustable top-basket must be inserted in the uppermost position.

If the comparability tests do not comply fully with AS/NZS 2007, e.g., degree of soiling, type of dishes and cutlery, etc., contact the appliance manufacturer before starting the test.

## Free Manuals Download Website

<http://myh66.com>

<http://usermanuals.us>

<http://www.somanuals.com>

<http://www.4manuals.cc>

<http://www.manual-lib.com>

<http://www.404manual.com>

<http://www.luxmanual.com>

<http://aubethermostatmanual.com>

Golf course search by state

<http://golfingnear.com>

Email search by domain

<http://emailbydomain.com>

Auto manuals search

<http://auto.somanuals.com>

TV manuals search

<http://tv.somanuals.com>