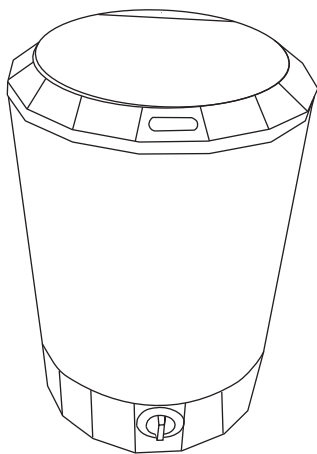


# Haier

## 1.5 KG

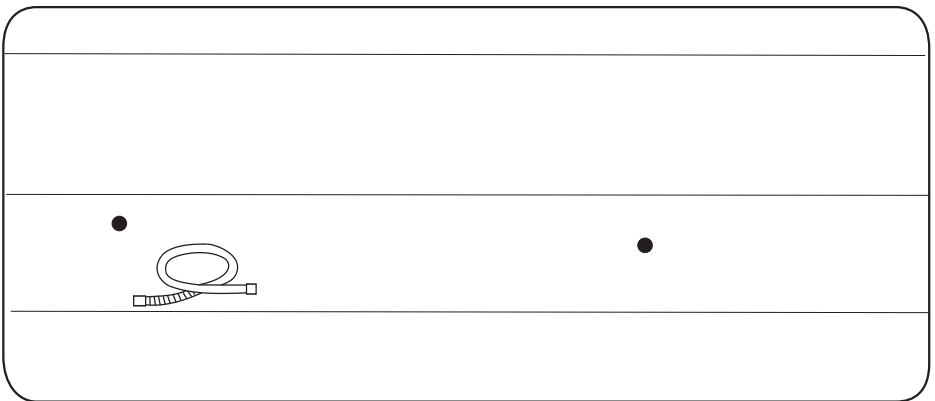
### Mini Washing Machine



XPBM15-0501

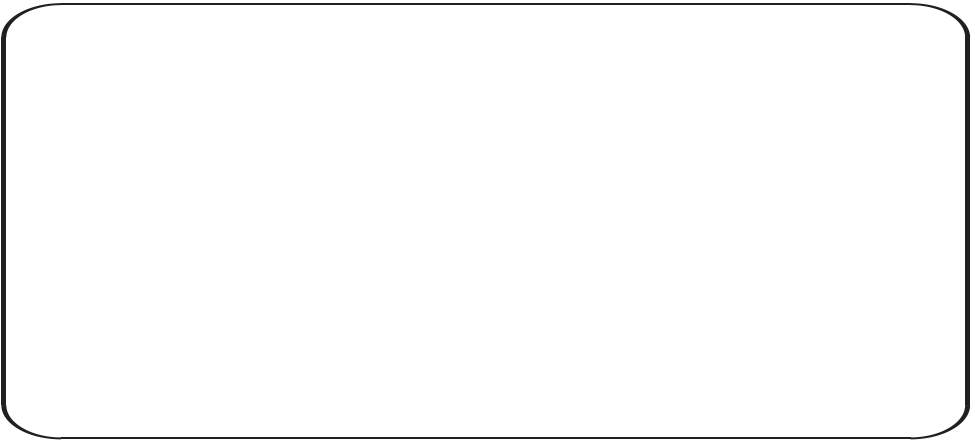
# Contents

|                                   |               |
|-----------------------------------|---------------|
| Packing list.....                 | the 2nd cover |
| Identifications of parts.....     | 1             |
| Safety precautions .....          | 2             |
| Installation and adjustment ..... | 4             |
| Preparation before washing .....  | 5             |
| Washing capacity.....             | 6             |
| Detergent usage.....              | 6             |
| Washing Process .....             | 7             |
| Disposal after washing .....      | 8             |
| Trouble shooting .....            | 9             |
| Specifications.....               | 9             |





## Description of the symbols



# Safety precautions

Please plug the washer into a 220V-240V a.c receptacle. Be sure to use single-phase three pin receptacle. Ensure the earthing prong of the power receptacle is earthed reliably. Use leakage protector if possible.



Do not twist pinch or damage the cord. If the cord or plug becomes damaged, please contact the service agent or an authorised technician.



Do not put the machine in damp places like the bathroom. Never wash it with water. Do not put wet clothes on the control panel.



Do not use water hotter than 50 C .



If the washing machine is installed on carpet, do not block the ventilation hole with carpet.

The ventilation holes at the bottom

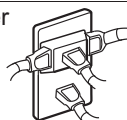
soft items



Do not wash water-proof items like the raincoat, bike covers etc.



Do not let the machine share one power point with other electric appliances. If the power plug is damaged or loose, do not use the plug any more.



# Safety precautions

Do not repair or alter the machine by yourself.



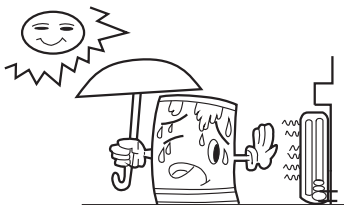
Do not put any hot or heavy items on the washing machine.



Do not wash clothes, with volatile materials (such as thinner, petrol etc.)



Do not allow children to use the washing machine.



# Installation and adjustment

Please install and adjust the machine according to the requirement of the manual. It is very important for your safety and operation of the machine.




## Adjust the installation position

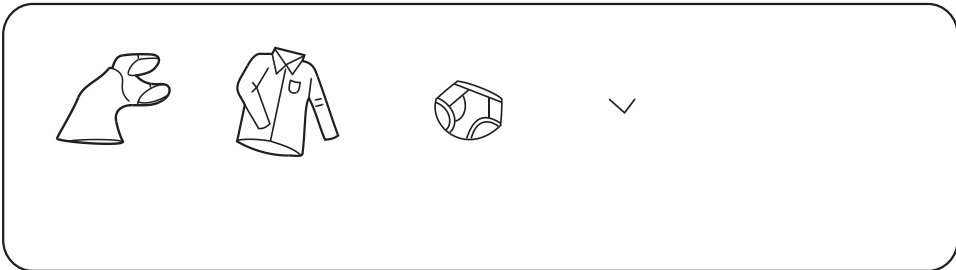
The largest allowed angle of the machine is  $2^{\circ}$ .  
More than this will result in unstable operation or stoppage of the machine.



# Preparation before washing

Pay attention to the following before washing.

|   |  |   |   |
|---|--|---|---|
| <p>Look for the care label on your laundry for special washing requirements</p>   | <p>Make sure you have checked all pockets for any loose items.</p>  | <p>Fasten all zippers, hooks, buttons and strings to make sure that these items don't snag on other clothes..</p>  | <p>The quantity of clothes shall not exceed the rated value. For large clothes like jeans, they should be put in loosely.</p>  |
| <p>a. Separate non-colorfast clothes from those that are.</p> <p>b. For laundry that are water resistant, please push them into the water with your hands to soak.</p> <p>c. For heavy soiled clothes, try to remove most of the loose soil before washing.</p> <p>d. Do not put clothes polluted with chemicals directly into the washing machine.</p> <p>e. Mend any torn garments or loose buttons as it may tear larger during washing.</p> |  |   |   |







# Washing Process

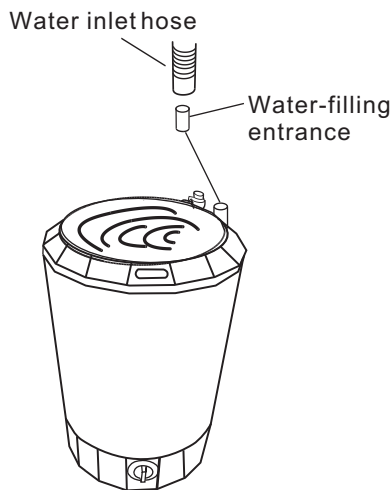
## 1. Connect the water hose provided to the water mains

### Install the water inlet hose

Insert the water inlet hose into the water-filling entrance on the control panel.

#### NOTE

1. Confirm that the drain hose is properly stowed before filling with water, or the water will flow through the drain hose.
2. Inside the machine you will see water filling levels-"1", "2", "3"and"MAX". This relates to the amount of washing you are using. Never exceed the "MAX"Mark!
3. Only use the new hose set provided.



## 2. Connect the power

Confirm that the washing machine is earthed reliably. Then insert the power plug into the receptacle.

## 3. Fill the machine enough with water to mix detergent, put in your laundry and fill up water to the desired level.



## 4. Close the lid.

Washing Ti



## Trouble shooting

If you experience problems with your appliance, please pull out the power plug before checking anything. The following table may help in troubleshooting. If there is still a problem, return the unit to your supplier for help.

| Phenomena                                 | How to settle  |
|---|--|
| The machine does not operate              | <ul style="list-style-type: none"><li>● Is there power failure? — Use it when the power is on.</li><li>● Is the power plug loose? — Insert the power plug tightly.</li></ul>                 |
| There's abnormal sound inside the machine | <ul style="list-style-type: none"><li>● Is the machine slanting? — Level the machine properly.</li><li>● Is there some foreign objects in a tub? — Remove the metal foreign bodies</li></ul> |

## Specifications

|                                 |               |
|---------------------------------|---------------|
| Water level/ Water quantity (L) | 3/17 2/12 1/7 |
| Water inlet pressure (MPa)      | 0.02~0.2      |
| Rated washing capacity (kg)     | 1.5           |



## Free Manuals Download Website

<http://myh66.com>

<http://usermanuals.us>

<http://www.somanuals.com>

<http://www.4manuals.cc>

<http://www.manual-lib.com>

<http://www.404manual.com>

<http://www.luxmanual.com>

<http://aubethermostatmanual.com>

Golf course search by state

<http://golfingnear.com>

Email search by domain

<http://emailbydomain.com>

Auto manuals search

<http://auto.somanuals.com>

TV manuals search

<http://tv.somanuals.com>