

Portable Counter Top Ice Maker Dispenser

Machine à glaçons distributrice portable
de comptoir

Portable Counter Top Ice Maker Dispenser



**Model #/ Modèle #/ Para Modelo de #
HPIMD25W/B/S**

Haier®

Quality ■ Innovation ■ Style

Download from www.Somanuals.com. All Manuals Search And Download.

IMPORTANT SAFEGUARDS



When using electrical appliances, basic safety precautions should always be followed, including the following:

1. **Read all instructions carefully.**
2. **DANGER!** To protect against risk of electric shock, do not immerse cord, plug or any parts of the unit in water or other liquids.
3. Close supervision is necessary when using this appliance near children. This appliance is not suitable for use by children.
4. Never leave an appliance unattended while in use.
5. Do not place an appliance on or near a hot gas or electric burner, or in a heated oven. Do not place on top of any other appliance.
6. Do not let the power cord of an appliance hang over the edge of a table or countertop or touch any hot surface.
7. Do not operate any electrical appliance with a damaged cord or plug or after the appliance malfunctions or has been dropped or damaged in any manner. If damage is suspected, contact the nearest authorized service center for examination, repair or electrical or mechanical adjustment.
8. Unplug from power outlet when not in use, before putting on or taking off attachments, and before cleaning.
9. The use of accessory attachments that are not recommended by the appliance manufacturer may cause fire, electric shock or injury.
10. Avoid contact with moving parts when the unit is in operation.
11. Never touch the cooling elements when the unit is in operation.
12. Do not use outdoors.
13. Do not use appliance for other than its intended use.

SAVE THESE INSTRUCTIONS HOUSEHOLD USE ONLY

UNPACKING YOUR ICE MAKER



1. Inspect and remove all packing materials. This includes the foam and any adhesive tape both inside and outside of the unit.
2. Inspect and remove any remains of packing, tape, or printed materials before powering on your Haier appliance.



WARNING

Please read this manual carefully before using.
Retain it for your future reference.

PRODUCT REGISTRATION

Keep for your records to obtain Warranty Service

Thank you for using our Haier product. This easy-to-use manual will guide you in getting the best use out of your appliance.

Remember to record the model and serial number. They are on a label in back of the appliance.

Model number

Icemaker serial number

Date of purchase

Staple your receipt to your manual.

You will need it to obtain warranty service.

Please register online at www.prodregister.com/Haier.

SAFETY INSTRUCTIONS

Electrical Requirements

Wiring and Grounding Instructions



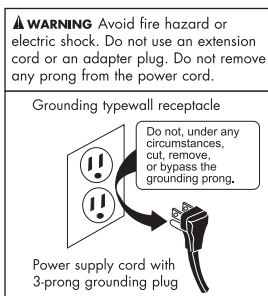
This appliance must be plugged into at least a 15 AMP 115 VOLT 60 Hz GROUNDED OUTLET. This appliance must be grounded. It is equipped with a 3-wire cord having a grounding plug. The plug must be plugged into an outlet that is properly installed and grounded.

WARNING! Improper use of grounded wire can result in the risk of electric shock. Consult a electrician if necessary. Do not attempt to defeat this safety feature by modifying the plug.



Avoid the use of an extension cord because it may overheat and cause a risk of fire. However, if it is necessary to use an extension cord:

- A. Use only 3-wire extension cords with 3-blade grounding plug.
- B. The marked rating of an extension cord must be equal to or greater than the rating of this appliance.
- C. It should be positioned such that it does not drape over the counter or tabletop where it can be pulled on by children intentionally.



Attempting any maintenance or cleaning:

To minimize the possibility of electric shock, unplug this appliance from the power supply or disconnect at the household distribution panel by removing the fuse or switching off the circuit breaker before attempting any maintenance or cleaning.

NOTE: Pressing the Power ON/OFF button to an off position does NOT disconnect the appliance from the power supply.

TABLE OF CONTENTS

Important Safeguards	1
Safety Instructions	3
Parts and Accessories	5
Pre-Operating Instructions	6
Operating Instructions	7
Starting Off	7
Cleaning and Maintenance	8
Troubleshooting Guide	10
Limited Warranty	11

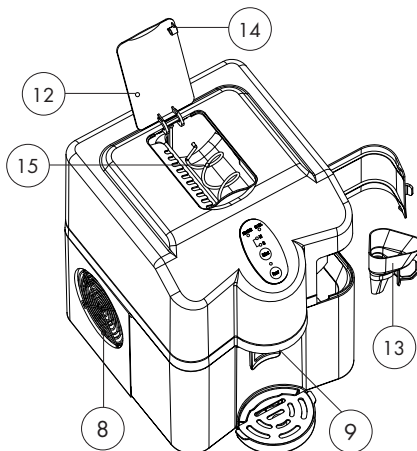
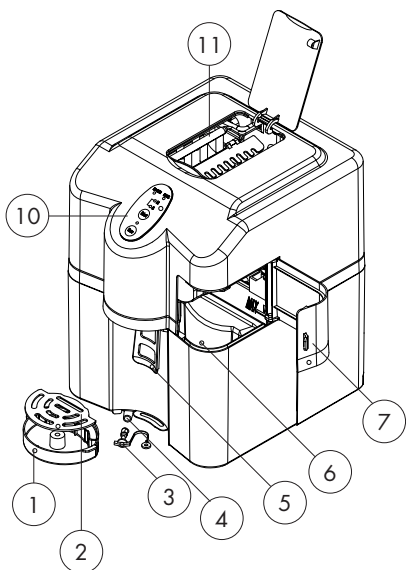
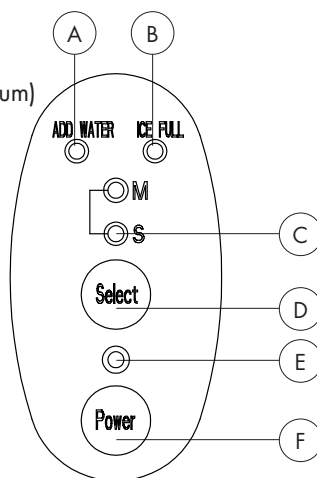
Specifications	Model # HPIMD25W/B/S
Electrical Shock Protection	Class 1
Power	115V/60Hz
Ice Making Current	1.8 A
Ice Harvest Current	2.5 A
Refrigerant	R134a/2.4 Oz.
Design Pressure	
High Side	290 Psig
Low Side	88 Psig
Dimensions	11.4" x 13.5" x 15.8"
Weight	24.7 LBS
Enclosure	ABS plastic

PARTS, FUNCTIONS AND FEATURES

1. Water drip tray
2. Water drip tray cover/cup-glass holder
3. Water drain cap
4. Water drain port
5. Ice cube dispenser paddle
6. Water reservoir
7. Water reservoir access door
8. Air vent (do not block)
9. Ice cube dispenser shoot
10. Control panel

- A.: Add water LED indicator
 B.: Ice full LED indicator
 C.: Ice cube size LED indicator (small or medium)
 D.: Ice cube size button
 E.: Power LED indicator
 F.: Power on/off button

11. Evaporator
12. Transparent hatch for viewing/cleaning
13. Funnel (to add water)
14. Safety Switch Activator
15. Auger to move ice to dispenser



PRE-OPERATING INSTRUCTIONS

- WARNING:** 1. **Before using your ice maker, it is strongly recommended to clean it thoroughly, without power.**



Clean the water reservoir and ice storage compartment with diluted vinegar, warm water and a soft cloth. Use water to rinse the inside parts, and drain out the water from the draining spout by unplugging the drain cap on the front (under water drip tray).

- WARNING:** 2. The incline angle of the icemaker cabinet should not exceed 45° during transportation or use. Do not turn the icemaker upside-down.



Doing so could cause the compressor or refrigerating system to operate incorrectly. When the icemaker is moved or transported, please allow time for the fluids in the compressor to settle. Before using the icemaker for the first time, please wait 2 hours after the unit has been leveled and positioned in its proper place.

3. Please ensure the icemaker is level and on a stable table or platform for safety and to avoid malfunction.
4. The machine must be placed on a dry and level surface with sufficient ventilation, far from heat sources such as ovens, heaters and corrosive gases. Leave an 8-inch clearance on all sides of the icemaker for proper ventilation.
5. Do not fill the water reservoir with hot water. This may damage the icemaker. It is best to fill the water reservoir with water of room temperature or lower.
6. We suggest to use distilled, purified or bottled water instead of tap water. The ice will taste better and will reduce the sediment caused by city tap water.
7. **NOTE:** This portable icemaker uses a fully automatic control system, with an advanced microcomputer for easy and convenient ice making. Making ice is simple and fast. Just add water, plug into an outlet, and press the ON button. When first turning on the unit or during icemaking cycles, the compressor will stay idle for 3 minutes, while energizing.

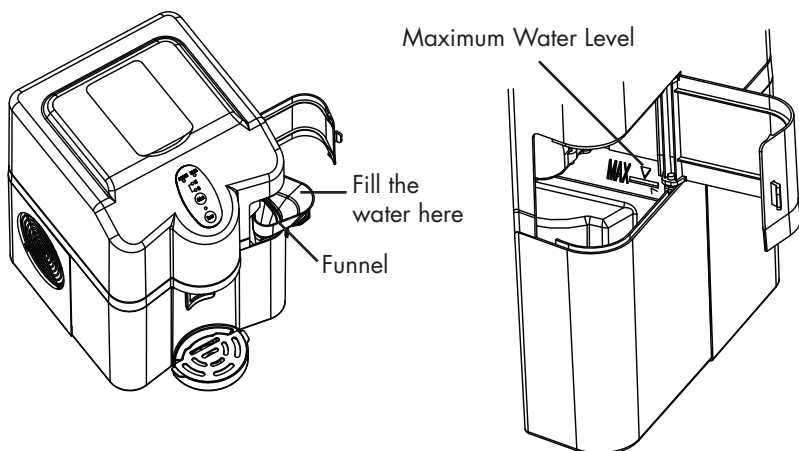
There are warning indicators that alert you when the reservoir is empty and when the ice storage compartment is full. The icemaker also has built-in safeguards that can limit accidental damage, automatically shutting down the system when necessary.

OPERATING INSTRUCTIONS

Starting Off:

1. Open the access door on the front, right hand side of the unit, insert provided funnel, and pour potable water (bottled water suggested) into the reservoir. Keep water level **below** the "MAX" water level mark on the inside wall of the reservoir.

NOTE: If water is accidentally filled above "MAX", it will be channeled down the front of the unit and end up on the surface below.



2. Remove funnel and close reservoir door.

WARNING: Do not pour water into ice storage compartment located on top of the unit. This will affect the ice making performance. Only pour water into the Water Reservoir Tank located on the front, right hand side of the unit.



3. Plug the unit into a grounded, 120V/60Hz outlet only. Push the ON/OFF button on the control panel to turn ON the machine to begin the ice making cycle. You will hear the compressor and water flowing over the evaporator. The LED indicator just above the ON/OFF button will also light.
4. Each cycle produces 9 cubes of ice. The ice making cycle takes about 6 to 15 minutes, depending on the ambient (room) temperature. Ambient and initial water temperatures affect the actual ice making time. It is not suggested to try making ice if room temperature exceeds 90° degrees fahrenheit as ice making time may vary greatly.
5. The default size of the ice cube is medium. If you want small size cubes, press the "Select" button on the control panel and the LED indicator should switch from "M" to "S". If room temperature is lower than 60° degrees Fahrenheit, it is recommended to select small size cubes.

6. During the operation process, if the level of the water in the reservoir becomes too low, the "Add Water" LED indicator will display.

NOTE: If for any reason such as water shortage, too much ice, power off, etc., do NOT restart the machine right away. Wait at least 3 minutes before attempting to restart.

7. The ice maker automatically stops producing ice when the ice storage compartment is full. The "Ice Full" LED indicator will light as confirmation.

NOTE: As a safety precaution, the auger inside the ice storage compartment and dispensing will automatically stop working if the transparent hatch on top of the unit is even partially open.

WARNING: Do NOT attempt in any way to disable the safety switch activator on the transparent hatch or inside the ice storage compartment.

8. To dispense the ice, push forward on the ice cube dispenser paddle. That will activate the auger inside the ice storage compartment, first back, then forward and allow ice cubes to drop down the shoot. The blue overhead light should also come on when paddle is pushed forward.

NOTE: Transparent hatch on top of the unit must be closed fully for auger to operate and ice to dispense.

CLEANING AND MAINTENANCE

WARNING:



- Never clean the ice maker unless the power is OFF and unit is unplugged.
- Full strength solvents, detergents, and abrasives must never be used for cleaning.
- Never tilt or place the icemaker on its side, otherwise you must wait 2 hours for compressor coolant to settle.

It is recommended that the appliance is cleaned once a month or more frequently in areas where chalky deposits can be a problem. A recommended cleaning solution is 1 part vinegar to 10 parts water. The appliance should be allowed to complete one ice making cycle, thoroughly rinsed with fresh water and dried with a soft cloth. Any residual vinegar may cause the next ice cubes to be soft or slushy. If this happens, the unit should be rinsed again with fresh water.

Before using your ice maker, it is strongly recommended to clean it thoroughly

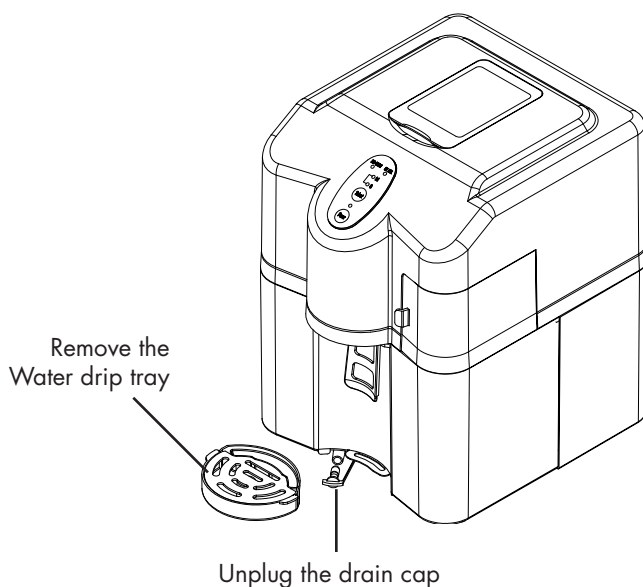
1. Power should be off and unit unplugged
2. Clean the interior with diluted vinegar solution, warm water and a soft cloth
3. Use water to rinse the interior and remove water thru the drain by removing the drain cap.
4. It is suggested to change the water in the reservoir daily for optimum hygiene.

5. If the unit isn't used for an extended period of time, remove all water left in the reservoir and ice storage compartment thru the drain.
6. Clean the outside of the ice maker regularly with a mild detergent solution and warm water.
7. Dry the interior and exterior with a soft cloth.

How to drain all the water from both the water reservoir and ice storage compartment

1. Power should be off and unit unplugged.
2. Place the icemaker in a position where water can be collected from the drain.
3. Remove water drip tray/cup-glass holder to access drain. (see image below)
4. Remove drain plug and let water flow out. (see image below)
5. Replace drain plug and clean the water reservoir and ice storage compartment with diluted vinegar solution.
6. Use water to rinse the water reservoir and ice storage compartment.
7. Remove drain plug and let water flow out.
8. Replace drain plug and dry water reservoir and ice storage compartment with soft cloth.
9. Store ice maker in dry, clean area.

NOTE: When moving the unit, it is better to allow the refrigerant liquid inside the compressor to settle at least 3 minutes before restarting.



TROUBLESHOOTING GUIDE

Problem	Possible Causes	Solution
Power LED indicator will not come on	Plug disconnected from wall outlet	Check that unit is plugged into standard 120V, 60 Hz outlet. Also make sure outlet has power and circuit breaker is not tripped.
"Ice Full" LED indicator is on	Storage compartment is full	Remove ice from storage compartment via the dispenser
Ice cubes in storage compartment but do not come out the dispenser	Transparent hatch is open	Close hatch securely, resetting safety switch and reactivating auger
	Auger in ice storage compartment is blocked	Release ice dispenser paddle, wait 10 seconds, push ice dispenser paddle forward again
"Add Water" LED indicator is on	Water reservoir is empty or water level is low	Use provided funnel to add water to reservoir on side of unit.
Ice making cycle is normal but no ice is made	Ambient temperature or water temperature inside reservoir is too high	Operate ice makers at ambient temperature below 90° and pour colder water into reservoir.
	Refrigerant liquid leakage.	Turn power off, unplug unit and contact a qualified technician.
	Pipe in the cooling system is blocked.	Turn power off, unplug unit and contact a qualified technician.
Solid block of ice forms on evaporator	Ice dispensing not complete from storage compartment	Unplug and allow ice to melt (never use sharp object to remove ice).

Note: There is protective circuitry inside this icemaker to protect the circuitry from overheating and the icemaker will automatically shut down to prevent damage if activated. Please disconnect power cord and restart after 30 minutes of cooling down time.



For Haier Customer Service, please call: 1-877-337-3639

LIMITED WARRANTY

What is covered and for how long?

This warranty covers all defects in workmanship or materials for a period of: 12 months for labor (Carry in Only) 12 months for parts (Functional Parts Only)

The warranty commences on the date of item purchase. Customer shall provide Haier with proof of the date of purchase and the original receipt along with: brand, model and serial number for verification prior to any warranty service being provided.

Carry-In Service is available for selected products at the discretion of Haier.

EXCEPTIONS:

Commercial or Rental Use warranty
90 days for labor 90 days for parts
No other warranty applies.

What is covered.

1. The mechanical and electrical parts of the appliance which serve the functional purpose of this appliance are covered for a period of 12 months or as stated above. This includes all parts except finish, trim and glass.
2. The limited warranty does not cover any credit or refund for any loss or injury caused by the product or defects to the product including but not limited to incidental or consequential damages.

What will be done?

1. Any mechanical or electrical part that proves to be defective in normal usage during the specified warranty period will be repaired or replaced at Haier's discretion.

ALL WARRANTY SERVICE MUST BE PROVIDED BY ONLY OUR FACTORY SERVICE CENTERS, OR BY AN AUTHORIZED Haier CUSTOMER TECHNICIAN.

If it is determined that repair is not appropriate or replacement parts are unavailable for repair, Haier will exchange the product with a refurbished or new product the same or similar to the original at its discretion.

2. There will be no charge to the purchaser for functional replacement parts and labor on any covered items during the initial 12- month period or as stated above.

3. THIS WARRANTY COVERS APPLIANCES WITHIN THE CONTINENTAL UNITED STATES, PUERTO RICO AND CANADA. IT DOES NOT COVER THE FOLLOWING:

Damages from improper installation.
Damages incurred during shipping.
Defects other than manufacturing. Damage from misuse, abuse, accident, alteration, lack of proper care and maintenance or incorrect current or voltage or acts of God. Damage from other than household use. Damage from service by other than an authorized dealer or service center.
Decorative trims, glass or replaceable light bulbs. Transportation and shipping costs. Labor (after the initial 12 months). Credit or Refund for products over 30 days past date of purchase. Food loss for food spoiled as a direct result of mechanical failure of the product or of any delay in providing service, repair, replacement. This limited warranty doesn't apply to refurbished product or unit purchased as/like new or second-hand. THIS LIMITED WARRANTY IS GIVEN IN LIEU OF ALL OTHER WARRANTIES, EXPRESSED OR INCLUDING THE WARRANTIES OF MERCHANTABILITY AND FITNESS FOR A PARTICULAR PURPOSE. The remedy provided in this warranty is exclusive and is granted in lieu of all other remedies. This warranty does not cover incidental or consequential damages, so the above limitations may not apply to you. Some states do not allow limitations on how long an implied warranty lasts, so the above limitations may not apply to you. This warranty gives you specific legal rights, and you may have other rights, which vary from state to state.

Haier
by Haier America Trading, LLC.
New York, NY 10018

If you need service, please first see the "Troubleshooting" section of the User Manual. After checking "Troubleshooting," additional help is available by calling Haier Customer Service Hot Line 24 hours a day, 7 days a week. Please call 1-877-337-3639.

CONSIGNES DE SÉCURITÉ IMPORTANTES



Lors de l'utilisation d'appareils électriques certaines précautions d'utilisation doivent être respectées, dont les suivantes:

1. **Lisez toutes les instructions attentivement.**
2. **DANGER!** Afin de se protéger contre les éventuels risques de décharge électrique n'immergez pas le cordon d'alimentation, la fiche électrique ou toute autre pièce de l'unité dans l'eau ou tout autre liquide.
3. Cet appareil, comme tout appareil électrique, ne devrait pas être utilisé par des enfants. Faites tout particulièrement attention lorsque vous utilisez l'appareil près d'enfants.
4. Ne laissez pas l'appareil sans surveillance lorsqu'il est en marche.
5. Ne placez pas l'appareil sur ou près d'une plaque chaude, électrique ou à gaz ou un four allumé. Ne le posez pas sur un autre appareil électroménager.
6. Ne laissez pas le cordon pendre à travers la table, le plan de travail ou toucher des surfaces chaudes: cuisinière, réchaud, etc.
7. N'utilisez surtout pas un appareil dont le cordon d'alimentation ou la fiche électrique est endommagé ou un appareil qui est défectueux ou fonctionne mal. Retournez-le au service après-vente pour inspection, réglage ou réparation par des professionnels.
8. Débranchez l'appareil avant de le désassembler, le ranger et le nettoyer et lorsqu'il n'est pas utilisé.
9. L'utilisation d'accessoires non prévus pour être utilisés avec cet appareil peut causer un incendie, décharge électrique des blessures.
10. Lorsque l'appareil est marche évitez contact avec les pièces mobiles.
11. Ne touchez jamais les éléments de refroidissement lorsque l'appareil est en marche.
12. Ne pas utiliser à l'extérieur.
13. N'utilisez pas cet appareil pour d'autres fonctions que celles prévues.

CONSERVEZ CES INSTRUCTIONS À USAGE DOMESTIQUE UNIQUEMENT

DÉBALLAGE DE VOTRE MACHINE À GLACE



1. Inspectez et enlevez tous les matériaux d'emballage, incluant la mousse et le ruban adhésif à l'extérieur et à l'intérieur de l'appareil.
2. Inspectez et enlevez tous restes d'emballage, de ruban adhésif, de feuillet d'information avant de mettre en marche votre appareil Haier.



AVERTISSEMENT

Veuillez lire ce manuel d'instructions attentivement avant l'utilisation.
Conservez-le pour référence future.

ENREGISTREMENT DU PRODUIT

Gardez dans vos dossiers pour obtenir un service de garantie.

Merci d'avoir choisi et d'utiliser un produit Haier. Ce guide facile d'utilisation vous guidera et vous aidera à obtenir les meilleurs résultats possibles avec votre machine à glaçons.

N'oubliez pas de noter les numéros de modèle et de série de votre appareil. Ils se trouvent sur une étiquette à l'arrière de la machine à glaçons.

Agrafez votre reçu de paiement à ce guide.

Vous en aurez besoin pour obtenir votre garantie.

Veuillez enregistrer votre produit en ligne à www.prodregister.com/haier dans les 10 jours de l'achat.

Numéro du modèle

Icemaker serial number

Date d'achat

INSTRUCTIONS DE SÉCURITÉ

Exigences Électriques

Instructions de filage et de mise à terre



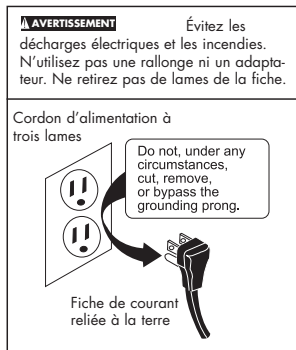
Cet appareil doit être branché à une PRISE MISE À TERRE d'au moins 15 AMP 115 VOLT 60 Hz. Cet appareil doit être mis à terre. Il est muni d'un câble d'alimentation à 3 fils avec une fiche mise à terre. La fiche doit être branchée à une prise installée et mise à terre correctement.

⚠ Avertissement! Si la fiche n'entre pas dans la prise murale essayez dans l'autre sens. Si cela ne marche toujours pas ne tentez rien, contactez un électricien qualifié. N'essayez pas de régler le problème vous-même.



Évitez d'utiliser une rallonge car elle risque de surchauffer et d'entraîner un risque d'incendie. Cependant, si vous devez utiliser une rallonge:

- Utilisez uniquement une rallonge à trois lames, avec trois trous.
- Le voltage de la rallonge doit être au moins égal à celui de l'appareil.
- La rallonge ne doit pas pendre à travers la table ou le plan de travail où les enfants peuvent tirer ou trébucher dessus.



Entretien et nettoyage:

Pour minimiser les risques de choc électriques, débranchez cet appareil de la prise murale ou déconnectez le courant domestique en enlevant le fusible ou en éteignant le disjoncteur avant toute tentative d'entretien ou de nettoyage.

N.B.: Le fait d'éteindre l'appareil en appuyant sur le bouton de mise en marche (ON/OFF) NE DÉCONNECTE PAS l'appareil du courant.

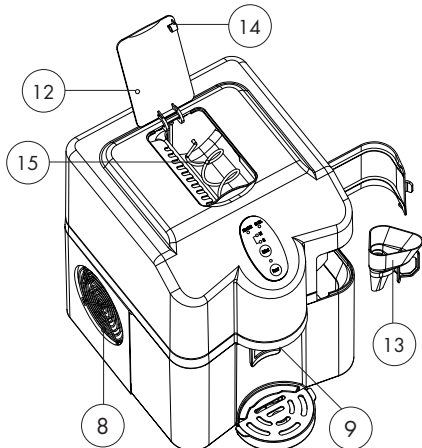
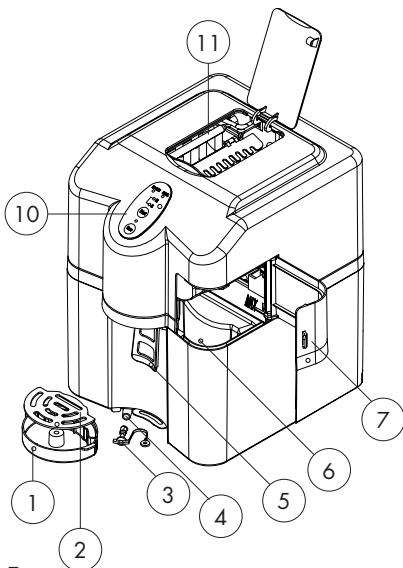
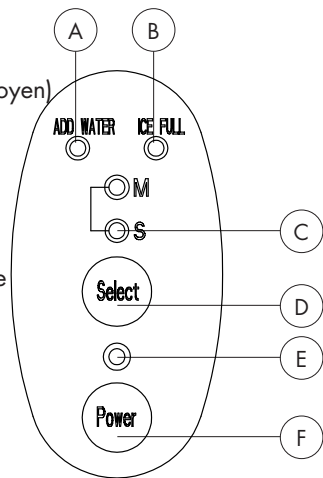
TABLE DES MATIERES

Précautions importantes	1
Instructions de sécurité	3
Pièces et accessoires	5
Instructions de pré-opération	7
Instructions d'utilisation	7
Démarrage.....	7
Nettoyage et entretien	8
Guide de dépannage	10
Garantie limitée	11

Spécifications	Model # HPIMD25W/B/S
Protection contre les chocs électriques	Class 1
Courant	115V/60Hz
Fabrication de glace	1.8 A
Récolte de glace	2.5 A
Réfrigérant	R134a/2.4 Oz.
Pression	
Côté haut	290 Psig
Côté bas	88 Psig
Dimensions	11.4" x 13.5" x 15.8"
Poids	24.7 LBS
Enclos	ABS plastic

PIÈCES, FONCTIONS ET CARACTÉRISTIQUES

1. Égouttoir
2. Couvercle de l'égouttoir/porte-verre ou tasse
3. Capuchon de drain
4. Drain
5. Palette de distribution de glaçons
6. Réservoir à eau
7. Accès au réservoir à eau
8. Évent (ne pas bloquer)
9. Chute à glaçons
10. Panneau de contrôles
 - A. Indicateur DEL Ajoutez l'eau
 - B. Indicateur DEL Glaçons pleins
 - C. Indicateur DEL Taille des glaçons (petit ou moyen)
 - D. Bouton Taille des glaçons
 - E. Indicateur DEL de fonctionnement
 - F. Bouton de mise en marche
11. Évaporateur
12. Trappe transparente pour observation/nettoyage
13. Entonnoir (pour ajouter de l'eau)
14. Interrupteur de sécurité
15. Vrille de déplacement de glaçons



INSTRUCTIONS DE PRÉ-OPÉRATION

AVERTISSEMENT: 1. **Avant d'utiliser votre machine à glaçons, il est fortement recommandé de la nettoyer à fond, sans courant.** Lavez le réservoir à eau et le compartiment à glaçons avec du vinaigre dilué, de l'eau tiède et un chiffon doux. Rincez les parties intérieures avec de l'eau et videz l'eau accumulée en enlevant le capuchon du drain sur l'avant (sous l'égouttoir).



WARNING: 2. L'angle d'inclinaison de la machine à glace ne devrait pas excéder 45° pendant le transport ou l'utilisation. Ne pas mettre la machine à glace à l'envers, cela pourrait causer un fonctionnement incorrect du compresseur ou du système de réfrigération.



Après le déplacement ou le transport de la machine à glace, laisser du temps pour la stabilisation des liquides du compresseur. Avant d'utiliser la machine à glace pour la première fois, attendre 2 heures après avoir installé et mis au niveau.

3. Assurez-vous que la machine à glace est bien au niveau et placé sur une table ou une plateforme stable pour votre sécurité et pour éviter un mauvais fonctionnement.
4. La machine doit être placée sur une surface sèche et au niveau ayant une ventilation adéquate, loin des sources de chaleur telles que fours, appareils de chauffage ou gaz corrosifs. Laissez un espace de dégagement de 8po (20cm) tout le tour de la machine à glace pour assurer une ventilation adéquate.
5. Ne pas remplir le réservoir à eau avec de l'eau chaude, cela pourrait endommager la machine à glace. Il vaut mieux remplir le réservoir avec de l'eau température pièce ou moins.
6. Nous suggérons d'utiliser de l'eau distillée ou embouteillée au lieu de l'eau du robinet. La glace aura meilleur goût et il y aura moins d'accumulation de sédiments causés par l'eau courante.
7. **N.B.:** Cette machine à glace portable est munie d'un système de contrôle automatique, avec un micro-ordinateur avancée pour une fabrication de glace facile et pratique. Faire de la glace est simple et rapide. Simplement ajouter de l'eau, branchez dans une prise et appuyer sur le bouton de mise en marche (ON). Lors de la première mise en marche de l'appareil ou pendant les cycles de fabrication, le compresseur reste inactif pendant 3 minutes tout en dynamisant.

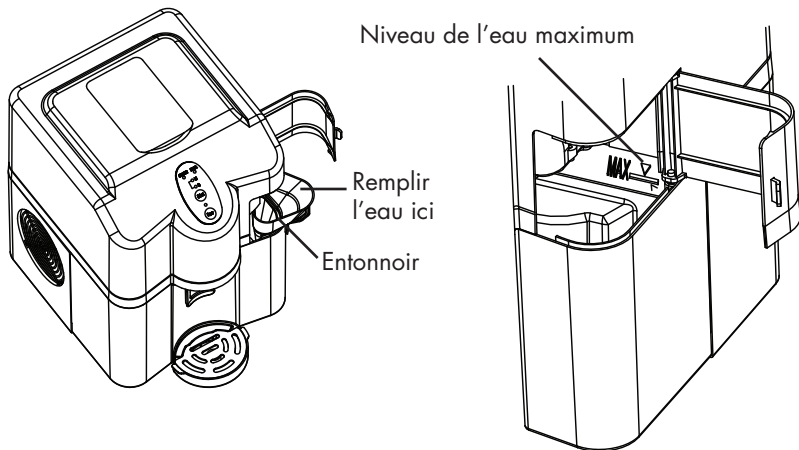
Il y a des indicateurs lumineux qui vous avertissent lorsque le réservoir à eau est vide et que le compartiment à glaçons est plein. La machine à glace est aussi munie de dispositifs de sauvegarde qui peuvent limiter les dommages accidentels en arrêtant automatiquement le système.

INSTRUCTIONS D'OPÉRATION

Pour commencer:

1. Ouvrir la porte d'accès à l'avant, à droit de l'appareil, insérez l'entonnoir fourni et verser de l'eau potable (l'eau en bouteille est recommandée) dans le réservoir. Gardez le niveau de l'eau sous la ligne « MAX » à l'intérieur du réservoir.

NOTE: Si l'eau dépasse la ligne « MAX » accidentellement, elle sera égouttée sur l'avant de l'appareil jusqu'à la surface au-dessous.



2. Retirez l'entonnoir et fermez la porte.

AVERTISSEMENT: Ne versez pas d'eau dans le compartiment à glaçons sur le dessus de l'appareil, ce qui pourrait affecter le rendement de fabrication de glace. Versez l'eau uniquement dans le réservoir à l'avant droite de l'appareil.



3. Branchez l'appareil dans une prise mise à terre de 120volt/60Hz seulement. Appuyez sur le bouton ON/OFF sur le panneau de contrôles pour mettre en marche la machine et le cycle de fabrication de glaçons. Vous entendrez le compresseur et l'eau couler sur l'évaporateur. L'indicateur DEL au dessus du bouton ON/OFF s'allumera.
4. Chaque cycle fabrique 9 cubes de glace. Le cycle de fabrication prend environ 6 à 15 minutes, dépendant de la température ambiante. La température ambiante et la température initiale de l'eau jouent sur le temps réel de fabrication de glace. Il n'est pas recommandé de tenter de faire de la glace si la température ambiante dépasse les 90°F (32°C), puisque le temps de fabrication de glaçons pourrait varier considérablement.
5. La taille des glaçons est réglée à moyen par défaut. Si vous voulez la taille plus petite, appuyez sur le bouton « Select » sur le panneau de contrôles et l'indicateur DEL devrait aller de « M » à « S ». Si la température ambiante est de moins de 60°F (15°C), il est recommandé de choisir la petite taille de glaçons.

6. Durant le processus de fabrication, si le niveau de l'eau dans le réservoir baisse trop, l'indicateur « Add Water » (Ajouter de l'eau) s'allumera.

NOTE: Si l'appareil s'éteint pour une raison telle qu'un manque d'eau, un surplus de glace, une panne de courant, etc, ne PAS redémarrer la machine immédiatement. Attendez au moins 3 minutes avant de tenter de redémarrer la machine.

7. La machine à glaçons s'arrête automatiquement lorsque le compartiment à glace est plein. L'indicateur « Ice Full » (Glaçons pleins) s'allumera pour le confirmer.

NOTE: Comme précaution de sécurité, la grille à l'intérieur du compartiment à glaçons et la chute de ceux-ci s'arrête automatiquement si la trappe transparente est ouverte, ne serait-ce que partiellement.

AVERTISSEMENT: NE PAS tenter de désactiver l'interrupteur de sécurité sur la trappe transparente ou à l'intérieur du compartiment à glaçons

8. Pour distribuer les glaçons, pousser la palette vers l'avant. Cela lancera la foreuse à l'intérieur du compartiment d'entreposage dans la glace, d'abord pour soutenir, puis en avant et pour permettre à des glaçons de relâcher vers le bas la pousse. La lumière bleue devrait aussi s'allumer lorsque la palette est engagée.

NOTE: La trappe transparente doit être complètement fermée pour que la grille fonctionne et pour pouvoir distribuer la glace.

NETTOYAGE ET ENTRETIEN

AVERTISSEMENT: • Ne jamais nettoyer la machine à glaçons à moins qu'elle soit éteinte et débranchée.



- Les solvants, détergents et abrasifs non-dilués ne doivent jamais être utilisés pour le nettoyage.
- Ne jamais basculer l'appareil ou le mettre sur le côté, ou il faudra attendre 2 heures pour que le liquide de refroidissement du compresseur se stabilise.

Il est recommandé de nettoyer l'appareil une fois par mois, ou plus où les dépôts calcaires sont problématiques. Une solution de nettoyage d'une part de vinaigre pour dix parts d'eau est recommandée. Laissez l'appareil compléter un cycle de fabrication, rincez-le avec de l'eau fraîche et séchez avec un chiffon doux. Des résidus de vinaigre pourraient influencer les prochains glaçons, les laissant mous ou en gadoue. Si cela se produit, l'appareil devrait être rincé à nouveau avec de l'eau fraîche.

Avant d'utiliser votre machine à glace, il est fortement recommandé de la nettoyer à fond.

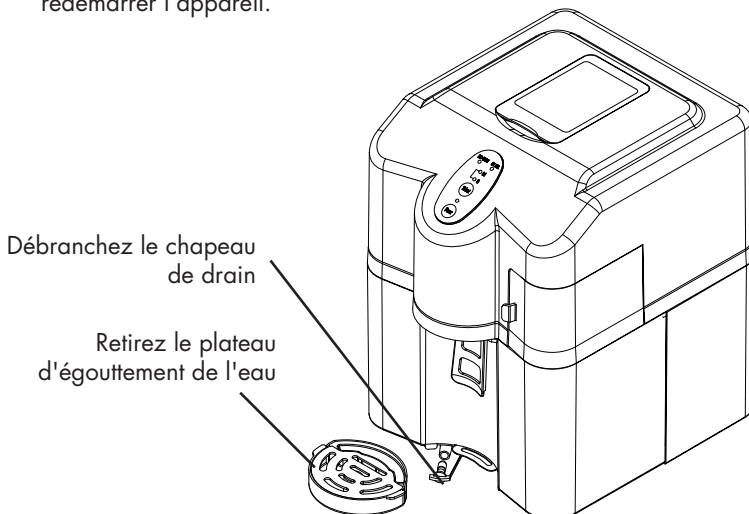
1. L'appareil devrait être éteint et débranché.
2. Nettoyez l'intérieur avec la dilution de vinaigre, de l'eau tiède et un chiffon doux.

3. Rincez l'intérieur avec de l'eau fraîche que vous évacuez par le drain en enlevant le capuchon de celui-ci.
4. Il est suggéré de changer l'eau du réservoir à tous les jours pour une hygiène optimale.
5. Si l'appareil demeure inutilisé pour une période de temps prolongée, videz toute l'eau restante dans le réservoir et le compartiment à glaçons par le drain.
6. Nettoyez l'extérieur de la machine à glace régulièrement avec un détergent doux et de l'eau tiède.
7. Séchez l'intérieur et l'extérieur de l'appareil à l'aide d'un chiffon doux.

Comment évacuer toute l'eau du réservoir et du compartiment à glaçons

1. L'appareil devrait être éteint et débranché.
2. Placez la machine à glace de telle manière à ce que l'eau peut être évacuée par le drain.
3. Retirez l'égouttoir/porte-verre pour accéder au drain (voir l'image ci-dessous).
4. Retirez le bouchon du drain et laissez l'eau s'évacuer (voir l'image ci-dessous).
5. Remplacez le bouchon du drain et nettoyez le réservoir à eau et le compartiment à glaçons à l'aide de la dilution de vinaigre.
6. Rincez le réservoir et le compartiment avec de l'eau fraîche.
7. Retirez le bouchon du drain et laissez l'eau s'évacuer.
8. Remplacez le bouchon du drain et séchez le réservoir et le compartiment à l'aide d'un chiffon doux.
9. Rangez la machine à glace dans un endroit sec et propre.

NOTE: Lors du déplacement de l'appareil, il vaut mieux laisser le liquide de refroidissement du compresseur se stabiliser au moins 3 minutes avant de redémarrer l'appareil.



GUIDE DE DÉPANNAGE

Problème	Causes possibles	Solution
L'indicateur de courant (Power) ne s'allume pas	La fiche est débranchée du mur	Vérifiez que l'appareil soit branché dans une prise de 120Volt/60Hz. Assurez-vous aussi que la prise ait du courant et que le disjoncteur ne s'est pas déclenché.
Indicateur de glaçons pleins (Ice Full) est allumé	Le compartiment à glaçons est plein	Enlevez des glaçons par le distributeur
Il y a des glaçons dans le compartiment mais ils ne sortent pas du distributeur	La trappe transparente est ouverte	Fermez la trappe, réinitialisant l'interrupteur de sécurité et réactivant la grille
	La grille dans le compartiment à glace est bloquée	Relâchez la palette de distribution, attendez 10 secondes et poussez à nouveau sur la palette
L'indicateur DEL Ajoutez de l'eau (Add Water) est allumé	Le réservoir à eau est vide ou le niveau d'eau est bas	Ajoutez de l'eau à l'aide de l'entonnoir fourni
Le cycle de fabrication de glace est normal mais ne fait pas de glace	La température ambiante ou de l'eau dans le réservoir est trop élevée	Faites fonctionner l'appareil à une température ambiante de moins de 90°F (32°C) et versez de l'eau froide dans le réservoir.
	Fuite de liquide de refroidissement	Éteindre et débranchez l'appareil, et contactez un technicien qualifié
	Un tuyau du système de refroidissement est bloqué	Éteindre et débranchez l'appareil, et contactez un technicien qualifié
Un bloc de glace se forme sur l'évaporateur	La distribution de glace s'est mal complétée	Débranchez l'appareil et laissez fondre la glace (ne jamais tenter d'ôter la glace avec un instrument pointu ou tranchant)

Remarque: Il y a un système de circuits protecteur à l'intérieur de cette machine à glaçons pour empêcher la surchauffe et la machine à glaçons s'éteindra automatiquement pour éviter les dommages si activé. Débranchez l'appareil et rebranchez après 30 minutes pour laisser à l'appareil le temps de refroidir. Contactez le service après-vente de Haier America au 1-877-337-3639.



Pour le service à la clientèle de Haier, composez le 1-877-337-3639.

GARANTIE LIMITÉE

Qu'est-ce qui est couvert et pour combien de temps?

Cette garantie couvre tous défauts de fabrication ou de matériel pour une période de:

12 mois pour la main-d'œuvre (en magasin seulement)

12 mois pour les pièces (pièces fonctionnelles seulement)

La garantie commence à la date d'achat de l'item. Le client doit fournir une preuve de la date d'achat et le reçu original accompagné de la marque, le modèle et le numéro de série auprès de Haier pour une vérification avant tout service de garantie.

Service en magasin disponible sur certains produits, à la discrétion de Haier.

EXCEPTIONS:

Garantie pour l'utilisation commerciale ou de location

90 jours pour la main-d'œuvre,

90 jours pour les pièces

Aucune autre garantie s'applique.

Ce qui est couvert.

1. Les pièces mécaniques et électriques de l'appareil servant au fonctionnement de l'appareil sont couvertes pour une période de 12 mois ou tel qu'indiqué ci-haut. Ceci inclut toutes les pièces sauf le fini, la décoration et le verre.
2. La garantie limitée ne couvre pas le crédit ou le remboursement pour toute perte ou blessure causé par le produit ou les défauts du produit, y compris mais non limité aux dommages directs ou indirects.

Ce qui sera fait.

1. Toute pièce mécanique ou électrique défectueuse à l'usage normal pendant la durée spécifiée de la garantie sera réparée ou remplacée à la discrétion de Haier. **TOUT SERVICE DE GARANTIE DOIT ÊTRE EFFECTUÉ PAR UN DE NOS CENTRES DE SERVICES, OU PAR UN TECHNICIEN AUTORISÉ Haier.** S'il est établi qu'une réparation n'est pas appropriée, ou les pièces de remplacement ne sont pas disponibles pour une réparation, Haier échangera le produit contre un produit neuf ou remis à neuf, identique ou similaire à l'original, à sa discrétion.

2. Aucuns coûts ne seront chargés à l'acheteur pour le remplacement de pièces fonctionnelles ou pour la main-d'œuvre sur tout item couvert pendant la durée initiale de 12 mois ou tel qu'indiqué ci-haut.

3. **CETTE GARANTIE COUVRENT LES APPAREILS DANS LES ÉTATS-UNIS CONTINENTAUX, LE PORTO RICO ET LE CANADA. ELLE NE COUVRE PAS :**

Les dommages dus à une installation inadéquate. Les dommages dus au transport. Les défauts autres que manufacturières. Les dommages dus à l'usage impropre, aux abus, accidents, altérations, manques d'entretien ou de courant ou de voltage inadéquats, ou acte de Dieu. Les dommages causés par un usage autre que domestique. Les dommages causés par des services effectués par autre qu'un centre de service autorisé. Parures décoratives, verre ou ampoule électriques remplaçables. Les coûts de transport et de manutention. Les coûts de main-d'œuvre (après les premiers 12 mois). Le crédit ou remboursement pour les produits après les 30 jours suivant la date d'achat. Pertes de nourriture directement reliées à un manquement mécanique du produit ou un retard sur un service, une réparation ou un remplacement. Cette garantie limitée ne s'applique pas sur les appareils remis à neuf ou acheté comme neuf ou usagé. **CETTE GARANTIE LIMITÉE EST APPLICABLE EN LIEU DE TOUTE AUTRE GARANTIE, EXPRIMANT OU INCLUANT LES GARANTIES MARCHANDE À FIN PARTICULIÈRE.** Les recours de cette garantie sont exclusifs et offerte en lieu de tous autres recours. Cette garantie ne couvre pas les dommages accessoires ou de conséquence, donc les limitations décrites ci-haut peuvent ne pas s'appliquer à votre cas. Certains États ne permettent pas de limitations sur les garanties implicites, donc les limitations décrites ci-haut peuvent ne pas s'appliquer à votre cas. Cette garanti vous donne des droit légaux spécifiques, et vous pouvez avoir d'autres droits qui varient d'État en État.

Haier
by Haier America Trading, LLC.
New York, NY 10018

Si vous avez besoin d'assistance, vérifiez d'abord la section « Dépannage » du manuel de l'utilisateur. Après avoir vérifié la section « Dépannage », de l'assistance additionnelle est disponible en appelant la ligne de service à la clientèle Haier 24 heures par jour, 7 jours par semaine. Composez le 1-877-337-3639.

PRECAUCIONES DE SEGURIDAD IMPORTANTES



Quando se utilizan artefactos eléctricos, se deben tomar precauciones de seguridad básicas, incluyendo lo siguiente:

- 1. Lea todas las instrucciones con atención.**
- 2. ¡PELIGRO!** Con el fin de protegerse contra el riesgo de una descarga eléctrica, no sumerja el cable, el enchufe, ni cualquier pieza de la unidad en agua ni en ningún otro líquido.
3. Es necesaria una supervisión cuidadosa cuando este artefacto sea utilizado cerca de un niño. Este artefacto no es apto para ser utilizado por niños.
4. No deje nunca un electrodoméstico sin la adecuada atención cuando está en funcionamiento.
5. No coloque un artefacto sobre o cerca de una llama, elemento eléctrico o en un horno caliente. No lo coloque encima de otro artefacto.
6. No permita que el cable de un artefacto cuelgue del borde de una mesa o un mostrador, ni que toque superficies calientes.
7. No opere ningún artefacto eléctrico con el cable o enchufe dañados o luego de que el artefacto no funcione correctamente o que se haya caído o dañado de alguna manera. Si se sospecha una avería, póngase en contacto con el lugar de reparaciones autorizado más cercano para que realicen el examen, la reparación o el ajuste mecánico o eléctrico necesarios.
8. Desenchufe la unidad del tomacorriente cuando no está en funcionamiento, antes de poner o sacar complementos y antes de limpiarla.
9. El uso de complementos accesorios no recomendados por el fabricante del artefacto puede ocasionar incendios, descarga eléctrica o daños.
10. Evite el contacto con partes móviles cuando la unidad está en funcionamiento.
11. No toque nunca los elementos de enfriamiento cuando la unidad está en funcionamiento.
12. No utilice el artefacto al aire libre.
13. No utilice al artefacto para otro uso que el previsto.

**CONSERVE ESTAS INSTRUCCIONES
USO DOMÉSTICO ÚNICAMENTE**

DESEMBALAJE DE LA MÁQUINA DE HIELO



1. Revise y quite todos los materiales de embalaje. Esto incluye la espuma y la cinta adhesiva de dentro y fuera de la unidad.
2. Revise y quite los restos de embalaje, cinta o materiales impresos antes de enchufar su artefacto Haier.



ADVERTENCIA

Lea este manual con atención antes de usar la unidad.
Consérvelo para futuras consultas.

REGISTRO DEL PRODUCTO

Conserve sus registros para obtener reparaciones con garantía.

Gracias por usar nuestro producto Haier. Este manual fácil de usar le guiará para que logre el mejor uso de su producto.

Recuerde anotar los números de modelo y de serie. Se encuentran en una etiqueta en la parte posterior del artefacto. Abroche su recibo al manual.

Abroche su recibo al manual.

Lo necesitará para obtener el servicio de garantía.

Regístrese en línea en www.prodregister.com/Haier.

2

Número de modelo

Número de serie

Fecha de compra

INSTRUCCIONES DE SEGURIDAD IMPORTANTES

Requisitos eléctricos

Instrucciones para el cableado y la descarga a tierra



ADVERTENCIA:

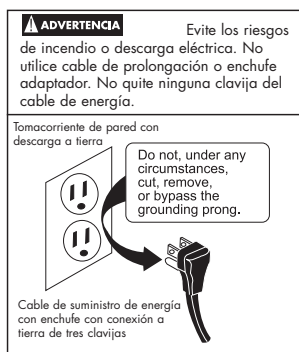
Este aparato debe enchufarse en un tomacorriente de al menos 15 amperes 110-115 voltios, 60 hz con conexión a tierra. Este artefacto debe tener conexión a tierra. Está equipado con un cable de 3 hilos que cuenta con un enchufe a tierra. El enchufe debe insertarse en un tomacorriente que se encuentre debidamente instalado y con conexión a tierra.

¡ADVERTENCIA! El uso indebido del cable con descarga a tierra puede representar un riesgo de descarga eléctrica. Consulte a un electricista si es necesario. No haga caso omiso de esta medida de seguridad modificando el enchufe.



Evite el uso de un cable de prolongación, ya que puede recalentarse y ocasionar un riesgo de incendio. No obstante, si necesita usar un cable de prolongación:

- Use solamente un cable de prolongación de 3 hilos con un enchufe con descarga a tierra de 3 puntas.
- Las especificaciones marcadas del cable de prolongación deben ser iguales o mayores a la especificación eléctrica del artefacto.
- Debe ser dispuesto de tal manera que no cuelgue de la encimera o de la mesa para que no pueda ser tironeado por los niños intencionalmente.



Cuando realice mantenimiento o limpieza:

Para minimizar la posibilidad de descargas eléctricas, desenchufe este artefacto del suministro de energía o desconéctelo del panel de distribución del hogar quitando el fusible o apagando el interruptor automático antes de intentar el mantenimiento o la limpieza.

NOTA: Si presiona el botón Power ON/OFF (Encendido/Apagado) para apagar, NO se desconecta el artefacto del suministro de energía.

CONTENIDOS

Precauciones de seguridad importantes	1
Piezas y accesorios	5
Instrucciones de funcionamiento	7
Instrucciones de funcionamiento.....	8
Limpieza y mantenimiento	8
Guía para la detección y solución de problemas	11
Garantía limitada	12

Especificaciones	Modelo # HPIMD25W/B/S
Protección contra descargas eléctricas	Clase 1
Potencia	115V/60Hz
Corriente de la máquina de hielo	1.8 A
Corriente de la producción de hielo	2.5 A
Refrigerante	R134a/2.4 onzas.
Presión del diseño	
Lado alto	290 libras por pulgada cuadrada manométrica
Lado bajo	88 libras por pulgada cuadrada manométrica
Dimensiones	11.4" x 13.5" x 15.8"
Peso	24,7 libras
Gabinete	Plástico ABS

PIEZAS, FUNCIONES Y CARACTERÍSTICAS

1. Bandeja para goteo de agua
2. Tapa para la bandeja para goteo de agua y soporte para vasos
3. Tapón de desagüe del agua
4. Puerto de desagüe de agua
5. Paleta del surtidor de cubos de hielo
6. Depósito de agua
7. Puerta de acceso al depósito de agua
8. Salida de aire (no obstruir)
9. Lanzador del surtidor de cubos de hielo
10. Panel de control

A. Indicador "Add water" (Agregar agua)

B.: Indicador "Ice full" (Lleno de hielo)

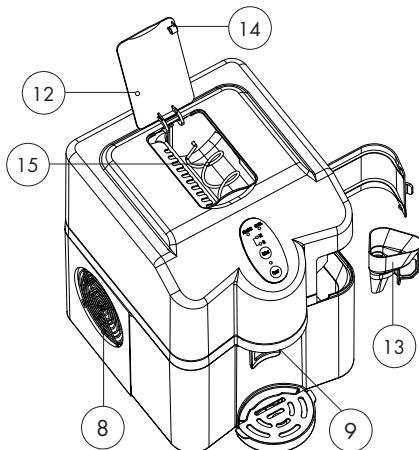
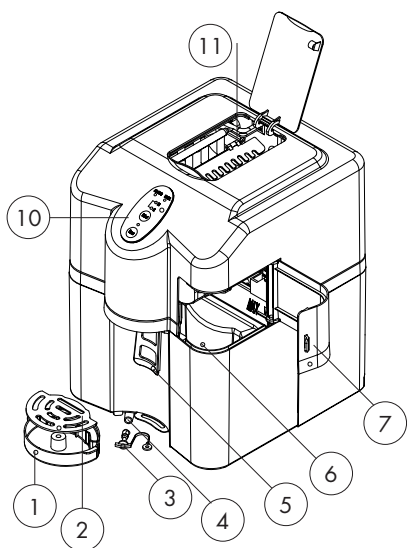
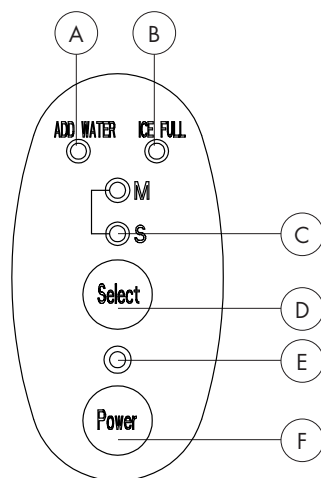
C.: Indicador del tamaño de los cubos de hielo
(pequeños o medianos)

D.: Botón del tamaño de los cubos de hielo

E.: Indicador de encendido

F.: Botón de Encendido y Apagado

11. Evaporador
12. Compuerta transparente para mirar/limpiar
13. Embudo (para agregar agua)
14. Activador del interruptor de seguridad
15. Barrena para mover el hielo al surtidor



INSTRUCCIONES PARA ANTES DEL FUNCIONAMIENTO

ADVERTENCIA: 1. **Antes de utilizar su máquina de hielo, se recomienda firmemente desenchufarla y limpiarla cuidadosamente.**



Limpie el depósito de agua y el compartimiento de almacenamiento de hielo con vinagre diluido, agua tibia y un paño suave. Utilice agua para enjuagar las piezas interiores y escurra el agua por el pico de salida del desagüe quitando la tapa de desagüe que se encuentra en la parte de adelante (debajo de la fuente para goteo de agua).

ADVERTENCIA: 2. El ángulo de inclinación del gabinete de la máquina de hielo no debe superar los 45° durante su transporte o uso. No dé vuelta la máquina de hielo.



Esto podría ocasionar que el compresor o el sistema de refrigeración funcionen de forma incorrecta. Cuando la máquina de hielo se cambia de lugar o se la transporta, permita que los fluidos del compresor se asienten durante un tiempo. Antes de usar la máquina de hielo por primera vez, espere 2 horas después de que la unidad fue nivelada y ubicada en su lugar apropiado.

3. Para su seguridad, asegúrese de que la máquina de hielo esté nivelada y sobre una mesa o plataforma estable para evitar el mal funcionamiento.
4. La máquina debe ubicarse sobre una superficie seca y nivelada con suficiente ventilación, alejada de las fuentes de calor tales como hornos, calefactores y gases corrosivos. Deje un espacio libre de 8 pulgadas en todos los lados de la máquina de hielo para que la ventilación sea apropiada.
5. No llene el depósito de agua con agua caliente. Esto podría dañar la máquina de hielo. Es mejor llenar el depósito con agua a temperatura ambiente o inferior.
6. Le sugerimos el uso de agua destilada, purificada o embotellada en lugar de agua del grifo. El hielo tendrá un mejor gusto y se reducirá el sedimento causado por el agua de red de la ciudad.
7. **NOTE:** Esta máquina de hielo portátil utiliza un sistema de control completamente automático, con una microcomputadora de avanzada para que la fabricación de hielo resulte fácil y cómoda. Fabricar hielo es simple y rápido. Simplemente agregue agua, enchufe en un tomacorriente y presione el botón ON (ENCENDIDO). Cuando encienda la unidad por primera vez o durante los ciclos de fabricación del hielo, el compresor estará inactivo durante 3 minutos, mientras recibe energía.

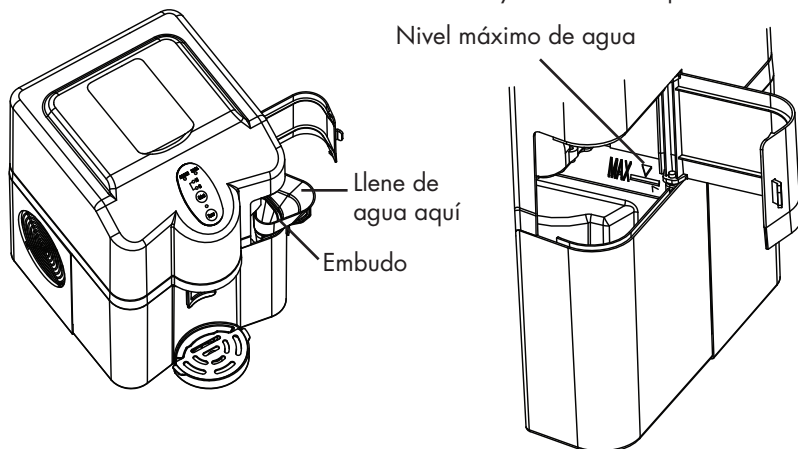
Hay indicadores que le advierten cuando el depósito está vacío y cuando el compartimiento de almacenamiento de hielo está lleno. La máquina de hielo también tiene protecciones de seguridad incorporadas que pueden limitar el daño accidental deteniendo el sistema cuando es necesario.

INSTRUCCIONES DE FUNCIONAMIENTO

Cómo comenzar:

1. Abra la puerta de acceso que se encuentra en el lado izquierdo de adelante de la unidad, introduzca el embudo provisto y vierta agua potable (se sugiere el uso de agua embotellada) en el depósito. Mantenga el nivel de agua debajo de la marca de nivel de agua "MAX" que se encuentra en la pared interior del depósito.

NOTA: Si accidentalmente se agrega agua por sobre el nivel "MAX", ésta se canalizará hacia el frente de la unidad y caerá en la superficie de abajo.



2. Retire el embudo y cierre la puerta del depósito.

ADVERTENCIA: No vierta agua en el compartimento de almacenamiento de hielo ubicado en la parte superior de la unidad. Esto afecta el rendimiento de la fabricación de hielo. Vierta agua únicamente en el tanque de depósito de agua ubicado en lado derecho de adelante de la unidad.



3. Enchufe la unidad en un tomacorriente con descarga a tierra de 120V/60Hz únicamente. Presione el botón ON/OFF (encendido/apagado) en el panel de control para encender la máquina para comenzar el ciclo de fabricación de hielo. Oirá el compresor y el agua que fluye por sobre el evaporador. El indicador luminoso ubicado justo encima del botón ON/OFF (Encendido/Apagado) también se iluminará.
4. Cada ciclo produce 9 cubos de hielo. El ciclo de fabricación de hielo lleva entre 6 y 15 minutos, según la temperatura ambiente (de la habitación). La temperatura ambiente y la temperatura inicial del agua afectan el tiempo de producción real de hielo. Se sugiere que no se intente fabricar hielo si la temperatura ambiente supera los 90° Fahrenheit, ya que el tiempo de fabricación de hielo puede variar ampliamente.

- El tamaño predeterminado de los cubos de hielo es medio. Si desea obtener cubos de tamaño pequeño, presione el botón "Select" (Seleccionar) del panel de control y el indicador luminoso debe cambiar de "M" (medio) a "S" (pequeño). Si la temperatura ambiente es inferior a 60° Fahrenheit, se recomienda seleccionar el tamaño de cubos pequeño.
- Durante el funcionamiento, si el nivel de agua del depósito de agua se baja, se encenderá el indicador "Add Water" (Agregar agua).

NOTA: Si esto se produce por algún motivo, como por ejemplo falta de agua, demasiado hielo, falta de energía, etc., NO vuelva a encender la máquina inmediatamente. Espere al menos 3 minutos antes de volver a intentar encenderla.

- La máquina de hielo deja de producir hielo automáticamente cuando el compartimiento de almacenamiento de hielo está lleno. El indicador luminoso "Ice full" (Lleno de hielo) se encenderá a modo de confirmación.

NOTA: Como medida de seguridad, la barrena de dentro del compartimiento de almacenamiento de hielo y la salida de hielo detendrán automáticamente su funcionamiento si la escotilla transparente que se encuentra en la parte superior de la unidad está abierta, aunque sea parcialmente.

ADVERTENCIA: NO intente deshabilitar de ninguna manera el activador del interruptor de seguridad que se encuentra en la escotilla transparente o en el interior del compartimiento de almacenamiento de hielo.

- Para que salga el hielo, empuje hacia adelante la paleta del surtidor de cubos de hielo. Eso activará el taladro dentro del compartimiento del almacenaje del hielo, primero para apoyar, después adelante y para permitir que los cubos de hielo caigan abajo el lanzamiento. La luz superior azul también se enciende cuando se empuja hacia adelante la paleta.

NOTA: La compuerta transparente que se encuentra en la parte superior de la unidad debe estar completamente cerrada para que la barrena funcione y salga el hielo.

LIMPIEZA Y MANTENIMIENTO

ADVERTENCIA: • No limpie nunca la máquina de hielo a menos que esté apagada y desenchufada.



- No deben utilizarse nunca solventes, detergentes ni abrasivos fuertes para la limpieza.
- No incline ni ubique nunca la máquina de hielo de costado, de lo contrario, debe esperar 2 horas para que el refrigerante del compresor se asiente.

Se recomienda limpiar el artefacto una vez por mes o con mayor frecuencia en zonas donde existe el problema de depósitos calcáreos. Una solución de limpieza recomendada está compuesta por 1 parte de vinagre y 10 partes de agua. El artefacto debe completar un ciclo de fabricación de hielo, se lo debe enjuagar con agua fresca y secar con un paño suave. El vinagre que pueda quedar puede provocar que los siguientes cubos de hielo estén blandos o medio derretidos. Si esto sucede, debe enjuagarse la unidad nuevamente con agua fresca.

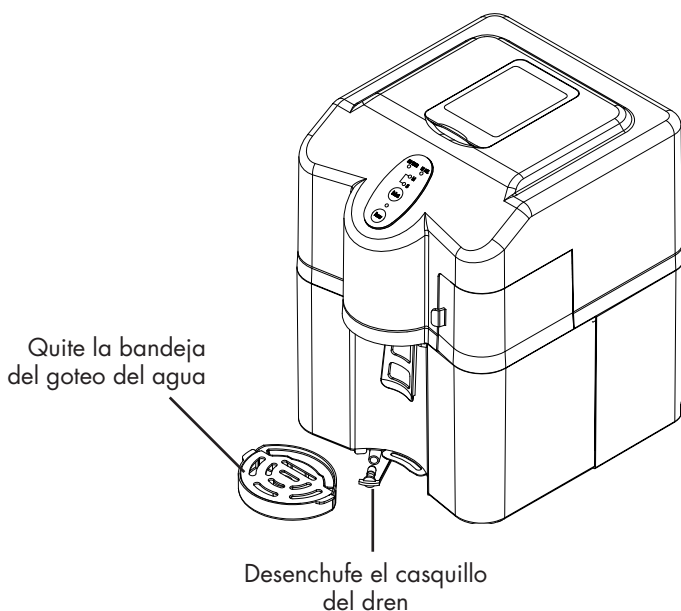
Antes de utilizar la máquina de hielo, se recomienda firmemente limpiarla cuidadosamente.

1. La unidad debe estar apagada y desenchufada.
2. Limpie el interior con una solución de vinagre diluido, agua tibia y un paño suave.
3. Utilice agua para enjuagar el interior y elimine el agua por el desagüe retirando el tapón de desagüe.
4. Se sugiere el cambio diario del agua que se encuentra en el depósito para obtener una higiene óptima.
5. Si no se utiliza la unidad durante un período prolongado, elimine toda el agua que quede en el depósito y en el compartimiento de almacenamiento de hielo por el desagüe.
6. Limpie el exterior de la máquina de hielo regularmente con una solución con detergente suave y agua tibia.
7. Seque el interior y el exterior con un paño suave.

Cómo eliminar toda el agua del depósito de agua y del compartimiento de almacenamiento de hielo

1. La unidad debe estar apagada y desenchufada.
2. Coloque la máquina de hielo en una posición en la que pueda recoger el agua del desagüe.
3. Retire la bandeja para goteo de agua y el soporte para vasos para acceder al desagüe. (Consulte la imagen a continuación)
4. Retire el tapón de desagüe y permita que fluya el agua. (Consulte la imagen a continuación)
5. Vuelva a colocar el tapón de desagüe y limpie el depósito de agua y el compartimiento de almacenamiento de hielo con una solución de vinagre diluido.
6. Utilice agua para enjuagar el depósito de agua y el compartimiento de almacenamiento de hielo.
7. Retire el tapón de desagüe y permita que fluya el agua.
8. Vuelva a colocar el tapón de desagüe y seque el depósito de agua y el compartimiento de almacenamiento de hielo con un paño suave.
9. Guarde la máquina de hielo en un lugar seco y limpio.

NOTA: Cuando mueva la unidad, es mejor permitir que el líquido refrigerante de dentro del compresor se asiente durante al menos 3 minutos antes de volver a encenderla.



GUÍA PARA LA DETECCIÓN Y SOLUCIÓN DE PROBLEMAS

Problema	Causas posibles	Solución
No se enciende el indicador luminoso de encendido.	Enchufe desconectado del tomacorriente de la pared	Verifique que la unidad esté enchufada en un tomacorriente de 120V, 60 Hz. Asegúrese además de que el tomacorriente tenga energía y que no haya saltado el interruptor automático.
El indicador "Ice Full" (Lleno de hielo) está encendido.	El compartimiento de almacenamiento está lleno.	Retire el hielo del compartimiento de almacenamiento a través del surtidor.
Hay cubos de hielo en el compartimiento de almacenamiento pero no salen por el surtidor.	La compuerta transparente está abierta.	Cierre la compuerta con firmeza, reinicie el interruptor de seguridad y reactive la barrena.
	La barrena del compartimiento de almacenamiento de hielo está obstruida.	Libere la paleta del surtidor de hielo, espere 10 segundos, empuje la paleta del surtidor de hielo hacia adelante nuevamente.
El indicador "Add water" (Agregar agua) está encendido.	El depósito de agua está vacío o el nivel de agua es bajo.	Utilice el embudo provisto para agregar agua al depósito en el lateral de la unidad.
El ciclo de fabricación de hielo es normal pero no se produce hielo.	La temperatura ambiente o la temperatura del agua del interior del depósito son demasiado altas.	Ponga en funcionamiento la máquina de hielo a una temperatura ambiente inferior a los 90° y vierta agua más fría en el depósito.
	Pérdida de líquido refrigerante.	Apague y desenchufe la unidad y póngase en contacto con un técnico calificado.
	Una tubería del sistema de enfriamiento está bloqueada.	Apague y desenchufe la unidad y póngase en contacto con un técnico calificado.
Se forman bloques sólidos de hielo en el evaporador.	No pasan todos los hielos del compartimiento de almacenamiento.	Desenchufe y permita que el hielo se derrita (no utilice nunca objetos afilados para retirar el hielo).

Note: En el interior de la máquina de hielo hay circuitos de protección para evitar que los circuitos se recalienten, de modo que cuando se activan, la unidad se apagará automáticamente para evitar daños. Se debe desconectar el cable de energía y volver a encender la unidad después de 30 minutos de tiempo para enfriarse.



GARANTÍA LIMITADA

¿Qué se cubre y por cuánto tiempo?

Esta garantía brinda cobertura por todos los defectos de mano de obra o en los materiales por un período de:

12 meses por mano de obra, (Únicamente reparaciones en el taller)

12 meses por las piezas (únicamente piezas funcionales)

La garantía comienza el día de la compra del producto. Los clientes deben proporcionar a Haier una prueba de la fecha de compra y el recibo original junto con: la marca, el modelo y el número de serie para la verificación previa a la provisión de servicios con garantía. El servicio de reparaciones en el taller está disponible para determinados productos, seleccionados a discreción de Haier.

EXCEPCIONES: Garantía en uso comercial o de alquiler:

90 días para la mano de obra,

90 días para las piezas.

No se aplican otras garantías.

Qué cubre.

1. Los repuestos mecánicos y eléctricos, que sirven para un propósito funcional de este artefacto, están cubiertos por un período de 12 meses o como se estableció previamente. Esto incluye todos los repuestos, excepto las terminaciones, el acabado y el vidrio.

2. La garantía limitada no cubre créditos o reintegros por pérdidas o lesiones causados por el producto o defectos del producto incluyendo, entre otros, daños consecuentes o fortuitos.

¿Qué se hará?

1. Los repuestos mecánicos o eléctricos que se pruebe que son defectuosos durante el uso normal y durante el período de garantía especificado, se repararán o reemplazarán según la discreción de Haier.

TODOS LOS SERVICIOS DE GARANTÍA DEBEN SER PROPORCIONADOS ÚNICAMENTE POR NUESTROS CENTROS DE REPARACIÓN DE FÁBRICA, O POR UN TÉCNICO DE ATENCIÓN A CLIENTES AUTORIZADO POR Haier.

Si se determina que la reparación no es adecuada o que los repuestos para el reemplazo no están disponibles para la reparación, Haier cambiará el producto por uno nuevo o reacondicionado en fábrica que sea el mismo o similar al original según su discreción.

2. El comprador no incurrirá en ningún gasto por repuestos funcionales y mano de obra de los ítems cubiertos durante el período inicial de 12 meses o como se indicó previamente.

3. ESTA GARANTÍA CUBRE LOS ARTEFACTOS DENTRO DE LA PORCIÓN CONTINENTAL DE LOS ESTADOS UNIDOS, CANADÁ Y PUERTO RICO. NO BRINDA COBERTURA EN LOS SIGUIENTES CASOS:

Daños por instalación incorrecta. Los daños ocurridos durante el envío. Los defectos que no sean defectos de fabricación. Daños causados por el mal uso, abuso, los accidentes, las alteraciones, la falta de atención y mantenimiento apropiados, la corriente o el voltaje incorrectos o los casos de fuerza mayor. Daños causados por todo aquello que no sea el uso hogareño. Daños causados por otra reparación que no sea la brindada por un vendedor autorizado o centro de reparaciones. Terminaciones decorativas, vidrio o lámparas de luz. Costos de transporte y envío. Mano de obra (después de los 12 meses iniciales). Crédito o reintegro por productos después de los 30 días de la fecha de compra. Pérdidas por los alimentos que se echan a perder como resultado directo de la falla mecánica del producto o por las posibles demoras en la provisión de atención, reparación o reemplazo. Esta garantía limitada no se aplica a productos reacondicionados en fábrica o a unidades adquiridas como nuevas o de segunda mano. ESTA GARANTÍA LIMITADA SE OTORGA EN LUGAR DE CUALQUIER OTRA GARANTÍA, EXPRESADA O IMPLÍCITA INCLUYENDO LAS GARANTÍAS DE COMERCIABILIDAD E IDONEIDAD PARA UN FIN DETERMINADO. El recurso provisto en esta garantía es exclusivo y otorgado en lugar de cualquier otro recurso. Esta garantía no cubre daños fortuitos o consecuentes, de modo que las limitaciones descritas anteriormente pueden no aplicarse a su caso. Algunos estados no permiten limitaciones en cuanto a la duración de una garantía implícita, de modo que las limitaciones descritas anteriormente pueden no aplicarse a su caso. Esta garantía le concede derechos legales específicos, y usted puede tener otros derechos, que varían de un estado a otro.

Haier de Haier America Trading, LLC.
Nueva York, NY 10018

Si necesita reparaciones, primero consulte la sección "Detección y solución de problemas" del Manual para el Usuario. Después de consultar la sección "Detección y solución de problemas", puede obtener ayuda adicional si llama a la línea gratuita de atención al cliente de Haier, las 24 horas del día, los 7 días de la semana. Llame al 1-877-337-a.

IMPORTANT

Do Not Return This Product To The Store

If you have a problem with this product, please contact the "Haier Customer Satisfaction Center" at 1-877-337-3639.

DATED PROOF OF PURCHASE REQUIRED FOR WARRANTY SERVICE

IMPORTANT

Ne pas Réexpédier ce Produit au Magasin

Pour tout problème concernant ce produit, veuillez contacter le service des consommateurs 'Haier Customer Satisfaction Center' au 1-877-337-3639.

UNE PREUVE D'ACHAT DATEE EST REQUISE POUR BENEFICIER DE LA GARANTIE.

IMPORTANTE

No regrese este producto a la tienda

Si tiene algún problema con este producto, por favor contacte el "Centro de Servicio al Consumidor de Haier" al 1-877-337-3639 (Válido solo en E.U.A).

NECESITA UNA PRUEBA DE COMPRA FECHADA PARA EL SERVICIO DE LA GARANTIA

115V, 60 Hz

**Made in China
Fabriqué en Chine
Hecho en China**

Haier®

**Haier
New York, NY 10018
Printed in China**

Free Manuals Download Website

<http://myh66.com>

<http://usermanuals.us>

<http://www.somanuals.com>

<http://www.4manuals.cc>

<http://www.manual-lib.com>

<http://www.404manual.com>

<http://www.luxmanual.com>

<http://aubethermostatmanual.com>

Golf course search by state

<http://golfingnear.com>

Email search by domain

<http://emailbydomain.com>

Auto manuals search

<http://auto.somanuals.com>

TV manuals search

<http://tv.somanuals.com>