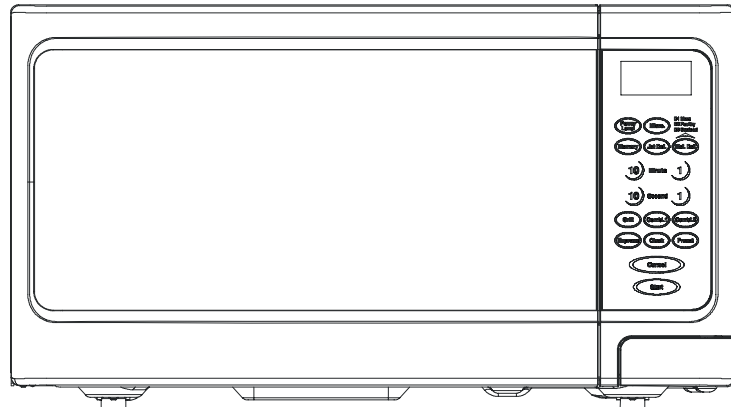


Microwave Oven

Model: HGN-36100EGS

Owner's Manual

Haier



***Please read this booklet carefully before fixing and using and
Save it for future reference.***

PRECAUTIONS TO AVOID POSSIBLE EXPOSURE TO EXCESSIVE MICROWAVE ENERGY

CONTENTS

PRECAUTIONS TO AVOID POSSIBLE EXPOSURE TO EXCESSIVE MICROWAVE ENERGY	1
SPECIFICATIONS	2
BEFORE YOU CALL FOR SERVICE	2
INSTALLATION	2
GROUNDING INSTRUCTIONS	3
RADIO INTERFERENCE	3
IMPORTANT SAFETY INSTRUCTIONS	3
MICROWAVE COOKING PRINCIPLES	4
UTENSILS GUIDE	5
PART NAMES	5
CONTROL PANEL	6
HOW TO SET THE OVEN CONTROLS	7
Setting the clock	7
Microwave cooking	7
Grill cooking	7
Combination cooking	8
Multi-stage cooking	8
Preset cooking	8
Express cooking	9
Weight defrost	9
Jet Defrost	9
Safety lock	10
To Stop the Oven During Operation	10
CLEANING AND CARE	11

SPECIFICATIONS

Power Consumption	230V~/50Hz, 1500W(Microwave)
	1300W(Grill)
Rated Microwave Power Output:	1000W
Operation Frequency:	2450MHz
Outside Dimensions:	300mm(H)×539mm(W)×455mm(D)
Oven Cavity Dimensions:	240mm(H)×376mm(W)×404mm(D)
Oven Capacity:	36Litres
Cooking Uniformity:	Turntable System
Net Weight:	Approx. 17.8kg

BEFORE YOU CALL FOR SERVICE

If the oven fails to operate:

1. Check to ensure that the oven is plugged in securely. If it is not, remove the plug from the outlet, wait 10 seconds, and plug it in again securely.
2. Check for a blown circuit fuse or a tripped main circuit breaker. If these seem to be operating properly, test the outlet with another appliance.
3. Check to ensure that the control panel is programmed correctly and the timer is set.
4. Check to ensure that the door is securely closed engaging the door safety lock system. Otherwise, the microwave energy will not flow into the oven.

IF NONE OF THE ABOVE RECTIFIES THE SITUATION, THEN CONTACT A QUALIFIED TECHNICIAN. DO NOT TRY TO ADJUST OR REPAIR THE OVEN YOURSELF.

INSTALLATION

1. Make sure that all the packing materials are removed from the inside of the door.
2. **WARNING:** Check the oven for any damage, such as misaligned or bent door, damaged door seals and sealing surface, broken or loose door hinges and latches and dents inside the cavity or on the door. If there is any damage, do not operate the oven and contact qualified service personnel.
3. This microwave oven must be placed on a flat, stable surface to hold its weight and the heaviest food likely to be cooked in the oven.
4. Do not place the oven where heat, moisture, or high humidity are generated, or near combustible materials.
5. For correct operation, the oven must have sufficient airflow. Allow 20cm of space above the oven, 10cm at back and 5cm at both sides. Do not cover or block any openings on the appliance. Do not remove feet.
6. Do not operate the oven without glass tray, roller support, and shaft in their proper positions.
7. Make sure that the power supply cord is undamaged and does not run under the oven or over any hot or sharp surface.
8. The socket must be readily accessible so that it can be easily unplugged in an emergency.
9. Do not use the oven outdoors.

GROUNDING INSTRUCTIONS

This appliance must be grounded. This oven is equipped with a cord having a grounding wire with a grounding plug. It must be plugged into a wall receptacle that is properly installed and grounded. In the event of an electrical short circuit, grounding reduces risk of electric shock by providing an escape wire for the electric current. It is recommended that a separate circuit serving only the oven be provided. Using a high voltage is dangerous and may result in a fire or other accident causing oven damage.

WARNING Improper use of the grounding plug can result in a risk of electric shock.

Note

1. If you have any questions about the grounding or electrical instructions, consult a qualified electrician or service person.
2. Neither the manufacturer nor the dealer can accept any liability for damage to the oven or personal injury resulting from failure to observe the electrical connection procedures.

The wires in this cable main are colored in accordance with the following code:

Green and Yellow = EARTH

Blue = NEUTRAL

Brown = LIVE

RADIO INTERFERENCE

Operation of the microwave oven can cause interference to your radio, TV, or similar equipment.

When there is interference, it may be reduced or eliminated by taking the following measures:

1. Clean door and sealing surface of the oven.
2. Reorient the receiving antenna of radio or television.
3. Relocate the microwave oven with respect to the receiver.
4. Move the microwave oven away from the receiver.
5. Plug the microwave oven into a different outlet so that microwave oven and receiver are on different branch circuits.

IMPORTANT SAFETY INSTRUCTIONS

When using electrical appliance basic safety precautions should be followed, including the following:

WARNING: To reduce the risk of burns, electric shock, fire, injury to persons or exposure to excessive microwave energy:

1. Read all instructions before using the appliance.
2. Use this appliance only for its intended use as described in this manual. Do not use corrosive chemicals or vapors in this appliance. This type of oven is specifically designed to heat, cook or dry food. It is not designed for industrial or laboratory use.
3. Do not operate the oven when empty.

4. Do not operate this appliance if it has a damaged cord or plug, if it is not working properly or if it has been damaged or dropped. If the supply cord is damaged, it must be replaced by the manufacturer or its service agent or a similarly qualified person in order to avoid a hazard
5. **WARNING:** Only allow children to use the oven without supervision when adequate instructions have been given so that the child is able to use the oven in a safe way and understands the hazards of improper use.
6. To reduce the risk of fire in the oven cavity:
 - a. When heating food in plastic or paper container, check the oven frequently to the possibility of ignition.
 - b. Remove wire twist-ties from paper or plastic bags before placing bag in oven.
 - c. If smoke is observed, switch off or unplug the appliance and keep the door closed in order to stifle any flames.
 - d. Do not use the cavity for storage purposes. Do not leave paper products, cooking utensils or food in the cavity when not in use.
7. **WARNING:** Liquid or other food must not be heated in sealed containers since they are liable to explode.
8. Microwave heating of beverage can result in delayed eruptive boiling, therefore care has to be taken when handle the container.
9. Do not fry food in the oven. Hot oil can damage oven parts and utensils and even result in skin burns.
10. Eggs in their shell and whole hard-boiled eggs should not be heated in microwave ovens since they may explode even after microwave heating has ended.
11. Pierce foods with heavy skins such as potatoes, whole squashes, apples and chestnuts before cooking.
12. The contents of feeding bottles and baby jars should be stirred or shaken and the temperature should be checked before serving in order to avoid burns.
13. Cooking utensils may become hot because of heat transferred from the heated food. Potholders may be needed to handle the utensil.
14. Utensils should be checked to ensure that they are suitable for use in microwave oven.
15. Utensil Test: Place the empty utensil in the oven, microwave at high power for 60 seconds. A utensil which becomes very hot should not be used.
16. **WARNING:** It is hazardous for anyone other than a trained person to carry out any service or repair operation which involves the removal of any cover which gives protection against exposure to microwave energy.
17. This product is a Group 2 Class B ISM equipment. The definition of Group 2 which contains all ISM (Industrial, Scientific and Medical) equipment in which radio-frequency energy is intentionally generated and/or used in the form of electromagnetic radiation for the treatment of material, and spark erosion equipment. For Class B equipment is equipment suitable for use in domestic establishments and in establishments directly connected to a low voltage power supply network which supplies buildings used for domestic purpose.
18. This appliance is not intended for use by persons (including children) with reduced physical, sensory or mental capabilities, or lack of experience and knowledge, unless they have been given supervision or instruction concerning use of the appliance by a person responsible for their safety.
19. Children should be supervised to ensure that they do not play with the appliance.

MICROWAVE COOKING PRINCIPLES

1. Arrange food carefully. Place thickest areas towards outside of dish.
2. Watch cooking time. Cook for the shortest amount of time indicated and add more as needed. Food severely overcooked can smoke or ignite.

3. Cover foods while cooking. Covers prevent spattering and help foods to cook evenly.
4. Turn foods over once during microwaving to speed cooking of such foods as chicken and hamburgers. Large items like roasts must be turned over at least once.
5. Rearrange foods such as meatballs halfway through cooking both from top to bottom and from the center of the dish to the outside.

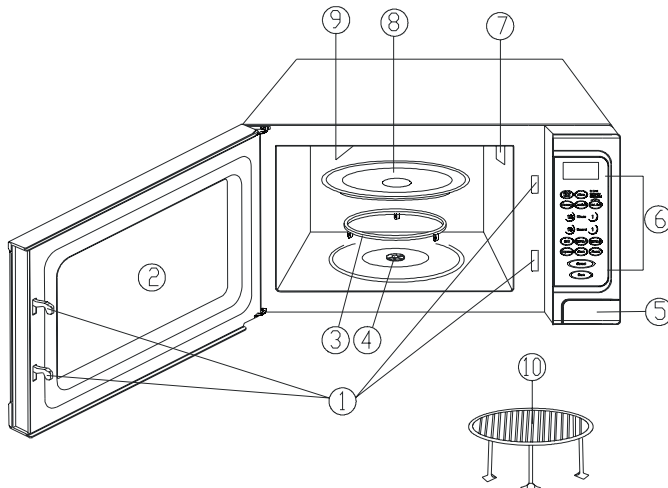
UTENSILS GUIDE

1. The ideal material for a microwave utensil is transparent to microwave, it allows energy to pass through the container and heat the food.
2. Microwave can not penetrate metal, so metal utensils or dishes with metallic trim should not be used.
3. Do not use recycled paper products when microwave cooking, as they may contain small metal fragments which may cause sparks and/or fires.
4. Round /oval dishes rather than square/oblong ones are recommend, as food in corners tends to overcook.
5. Narrow strips of aluminum foil may be used to prevent overcooking of exposed areas. But be careful don't use too much and keep a distance of 1 inch (2.54cm) between foil and cavity.

The list below is a general guide to help you select the correct utensils.

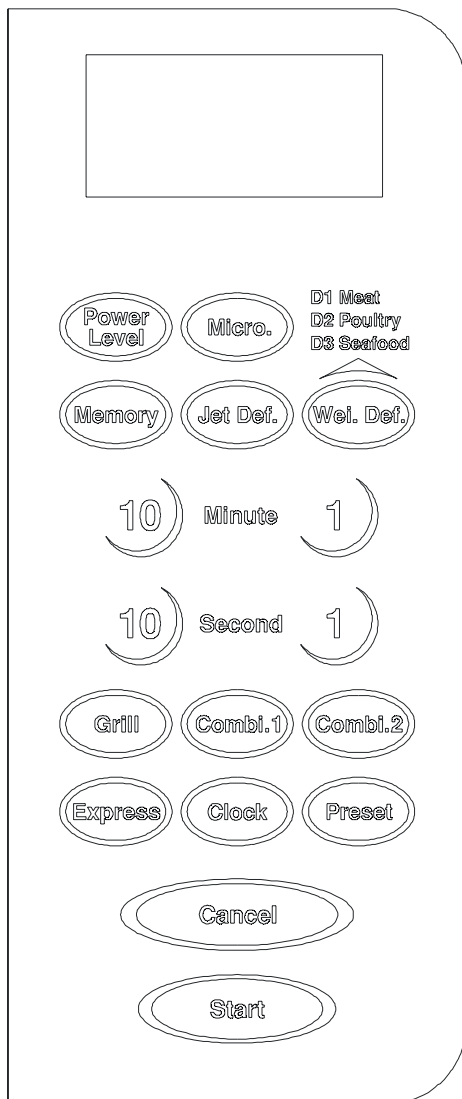
COOKWARE	MICROWAVE	GRILL	COMBINATION
Heat-Resistant Glass	Yes	Yes	Yes
Non Heat-Resistant Glass	No	No	No
Heat-Resistant Ceramics	Yes	Yes	Yes
Microwave-Safe Plastic Dish	Yes	No	No
Kitchen Paper	Yes	No	No
Metal Tray	No	Yes	No
Metal Rack	No	Yes	No
Aluminum Foil & Foil Containers	No	Yes	No

PART NAMES



1. Door Safety Lock System
2. Oven Window
3. Roller ring
4. Shaft
5. Door Release Button
6. Control Panel
7. Wave Guide (Please do not remove the mica plate covering the wave guide)
8. Glass Tray
9. Grill Heater
10. Metal Rack

CONTROL PANEL



● MENU ACTION SCREEN

Cooking time, power, action indicators, and clock time are displayed.

● QUICK MINUTE BUTTONS

Touch to set clock, cooking time, enter food weight.

● MICRO.

Touch this button to set a microwave cooking program.

● GRILL

Press it to set a grill cooking program

● COMB. 1 & 2

Touch this button when you want to set a combination cooking session.

● WEI.DEF.

Automatically sets proper defrosting cycle once you have entered the weight of the food to be thawed.

● JET DEF.

Customize defrosting time for food outside the categories or exceeding the max. allowable weight by weight defrost.

● EXPRESS

To start the oven quickly at full microwave power, you can press this button a number of times to indicate cooking time.

● POWER LEVEL

Press this button to set cooking power level.

● PRESET

Delay start control allows you to put food into the oven and program it to start cooking at a later time.

● MEMORY

Use this button to set a multistage cooking program.

● CLOCK

Use to set the oven time.

● CANCEL

Touch to clear the current setting or reset the system. It can also be used to activate the child lock.

● START

Touch to start a cooking program.

HOW TO SET THE OVEN CONTROLS

Each time a button is touched, a beep will sound to acknowledge the touch.

SETTING THE CLOCK

To set the oven clock time, e.g.: 6: 00 (A.M or P.M).

1. Touch CLOCK button.
2. Touch CANCEL button.
3. Touch number pad to enter clock time.
4. Touch CLOCK button again to confirm.

You can check the clock time when cooking is in progress by touching the CLOCK button.

MICROWAVE COOKING

Suppose you want to cook for 5 minutes at 60% of microwave power.

1. Touch MICRO. button.
2. Use the number pads to set a cooking time.
3. Touch POWER LEVEL repeatedly to select cooking power.
4. Touch START button.

Step 3 is not necessary if you are to cook at 100% power level.

-----**POWER LEVEL BUTTON**-----

By pressing the POWER LEVEL button, you are select different microwave power levels as the following table shows

Press	Screen display	Power Level
Once	P10	100%
Twice	P8	80%
Thrice	P6	60%
4 times	P4	40%
5 times	P2	20%
6 times	P0	0%

GRILL COOKING

Grill cooking is particularly useful for thin slices of meat, steaks, chops, kebabs, sausages or pieces of chicken. It is also suitable for hot sandwiches and au grain dishes

Suppose you want to grill for 40 minutes.

1. Touch GRILL button.
2. Use the number pads to set a cooking time.
3. Touch START button.

COMBINATION COOKING

COMBINATION 1

30% of time for microwave cooking, 70% for grill cooking.

Use for fish or au gratin.

COMBINATION 2

55% of time for microwave cooking, 45% for grill cooking.

Use for cooking pudding omelets, baked potatoes, and poultry.

Suppose you want to set the oven to COMBINATION 2 for 25 minutes.

1. Touch COMBI.2 button.
2. Use the number pads to set a cooking time.
3. Touch START button.

MULTI-STAGE COOKING

The oven can be programmed to do several consecutive functions.

The following steps are needed if we are going to set a cooking program which involves jet defrost, microwave, and grill.

1. Touch CANCEL button to reset the system.
2. Input jet-defrost program.
3. Touch MEMORY button
4. Input microwave-cooking program.
5. Touch MEMORY button.
6. Input grill-cooking program.
7. Touch START button.

NOTE

JET DEFROST or WEIGHT DEFROST can be only set as the first stage.

The respective lights will on to indicate which stage the oven is operating. After total time has elapsed, beep sound.

PRESET COOKING

You can put food in the oven, and program the oven to start up in a later time within the oven's clock cycle (12 hours).

Suppose you want to set the oven to start-up at 2 o'clock.

1. Place food in the oven
2. Touch PRESET button.
3. Touch number pads to enter preset time.
4. Set a cooking program.
5. Touch START button.

EXPRESS COOKING

With express cooking, touch the EXPRESS button a number of times to state cooking time and the oven will work at full power level.

Touch Once	15 seconds
Touch Twice	30 seconds
Touch 3 Times	1 minute
Touch 4 Times	2 minutes

Suppose you want to set the oven to microwave for 1 minute at 100% power level.

1. Touch the EXPRESS button 3 times, "1:00" will appear in the display.
2. Touch START button.

WEIGHT DEFROST

Automatically sets proper defrosting cycle once you have entered the weight of the food to be thawed
Maximum allowable weight for each category is shown below.

FOOD CATEGORY	MAXIMUM WEIGHT	DISPLAY
Meat	2300g	d1
Poultry	4000g	d2
Seafood	900g	d3

Suppose you want to defrost 600g shrimp.

1. Touch WEI.DEF. button 3 times. "d3" will appear in the display.
2. Use number pads to enter food weight.
3. Touch START button.

NOTE

10-MIN =1kg 1- MIN=100g

10-SEC= 10g 1-SEC=1g

You may need to turn food over during cooking

The oven will not start if you happen to enter weight in excess of the maximum recommended.

For food exceeding these maximum weights, use the JET DEFROST program.

JET DEFROST

For JET DEFROST, you need to input defrosting time,

Suppose you want to set the oven to JET DEFROST for 5 minutes and 30 seconds.

1. Touch JET DEF. button.
2. Use number pads to enter defrosting time.
3. Touch START button.

SAFETY LOCK

Use to prevent unsupervised operation of the oven by little children. The CHILD LOCK indicator will show on display screen, and the oven can not be operated while the CHILD LOCK is set.

1. To set the CHILD LOCK: Press and hold the CANCEL button for 3 seconds, a beep sounds and lock indicator lights.
2. To cancel the CHILD LOCK: Press and hold the CANCEL button for 3 seconds until lock indicator on display turns off.

TO STOP THE OVEN DURING OPERATION

Open the door.

You can restart the oven by closing the door and touching START button.

NOTE:

Oven stops operating the moment when door is opened.

CLEANING AND CARE

1. Turn off the oven and remove the power plug from the wall socket before cleaning.
2. Keep the inside of the oven clean. When food splatters or spilled liquids adhere to oven walls, wipe with a damp cloth. Mild detergent may be used if the oven gets very dirty. Avoid the use of spray and other harsh cleaners as they may stain, streak or dull the door surface.
3. The outside surfaces should be cleaned with a damp cloth. To prevent damage to the operating parts inside the oven, water should not be allowed to seep into the ventilation openings.
4. Wipe the door and window on both sides, the door seals and adjacent parts frequently with a damp cloth to remove any spills or spatters. Do not use abrasive cleaner.
5. Do not allow the control panel to become wet. Clean with a soft, damp cloth. When cleaning the control panel, leave oven door open to prevent oven from accidentally turning on.
6. If steam accumulates inside or around the outside of the oven door, wipe with a soft cloth. This may occur when the microwave oven is operated under high humidity condition. And it is normal.
7. It is occasionally necessary to remove the glass tray for cleaning. Wash the tray in warm sudsy water or in a dishwasher.
8. The roller ring and oven floor should be cleaned regularly to avoid excessive noise. Simply wipe the bottom surface of the oven with mild detergent. The roller ring may be washed in mild sudsy water or dishwasher. When removing the roller ring from cavity floor for cleaning, be sure to replace in the proper position.
9. Remove odors from your oven by combining a cup of water with the juice and skin of one lemon in a deep microwaveable bowl, microwave for 5 minutes. Wipe thoroughly and dry with a soft cloth.
10. When it becomes necessary to replace the oven light, please consult a dealer to have it replaced.
11. The oven should be cleaned regularly and any food deposits removed. Failure to maintain the oven in a clean condition could lead to deterioration of the surface that could adversely affect the life of the appliance and possibly result in a hazardous situation.
12. Please do not dispose this appliance into the domestic rubbish bin, it should be disposed to the particular disposal center provided by the municipalities.
13. When the microwave ovens have grill function is first used, it may produce slight smoke and smell. This is a normal phenomenon, because the oven is made of a steel plate coated with lubricating oil, and the new oven will produce fumes and odor generated by burning the lubricating oil. This phenomenon will disappear after a period of using.

Free Manuals Download Website

<http://myh66.com>

<http://usermanuals.us>

<http://www.somanuals.com>

<http://www.4manuals.cc>

<http://www.manual-lib.com>

<http://www.404manual.com>

<http://www.luxmanual.com>

<http://aubethermostatmanual.com>

Golf course search by state

<http://golfingnear.com>

Email search by domain

<http://emailbydomain.com>

Auto manuals search

<http://auto.somanuals.com>

TV manuals search

<http://tv.somanuals.com>