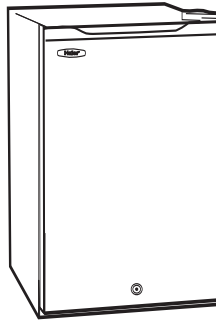
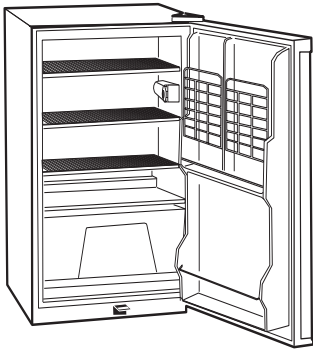


Fire Magic
The Ultimate Barbecue

By **Haier**[®]



**Compact
Refrigerator**



User Manual Model
3590A

SAFETY PRECAUTIONS

Read all of the instructions before using this appliance. When using this appliance, always exercise basic safety precautions, including the following:

- 1) Use this appliance only for its intended purpose as described in this use and care guide.
- 2) This refrigerator must be properly installed in accordance with the installation instructions before it is used. See grounding instructions in the installation section.
- 3) Never unplug your refrigerator by pulling on the power cord. Always grasp the plug firmly and pull straight out from the outlet.
- 4) Repair or replace immediately, all electric service cords that have become frayed or otherwise damaged. Do not use a cord that shows cracks or abrasion damage along its length, the plug or the connector end.
- 5) Unplug your refrigerator before cleaning or before making any repairs.
Note: If for any reason this product requires service, we strongly recommend that a certified technician performs the service.
- 6) If your old refrigerator is not being used, we recommend that you remove the doors and leave the shelves in place. This will reduce the possibility of danger to children.
- 7) Please see page 5, "Proper Air Circulation" for the required clearances for your refrigerator.
- 8) Do not operate your refrigerator in the presence of explosive fumes.

SAVE THESE INSTRUCTIONS

For Future Reference

DANGER

Risk of child entrapment. Before you throw away your old refrigerator or freezer, take off the doors. Leave the shelves in place so that children may not easily climb inside.

Thank you for using our Haier product. This easy-to-use manual will guide you in getting the best use of your refrigerator.

Remember to record the model and serial number. They are on a label in back of the refrigerator.

Model number

Serial number

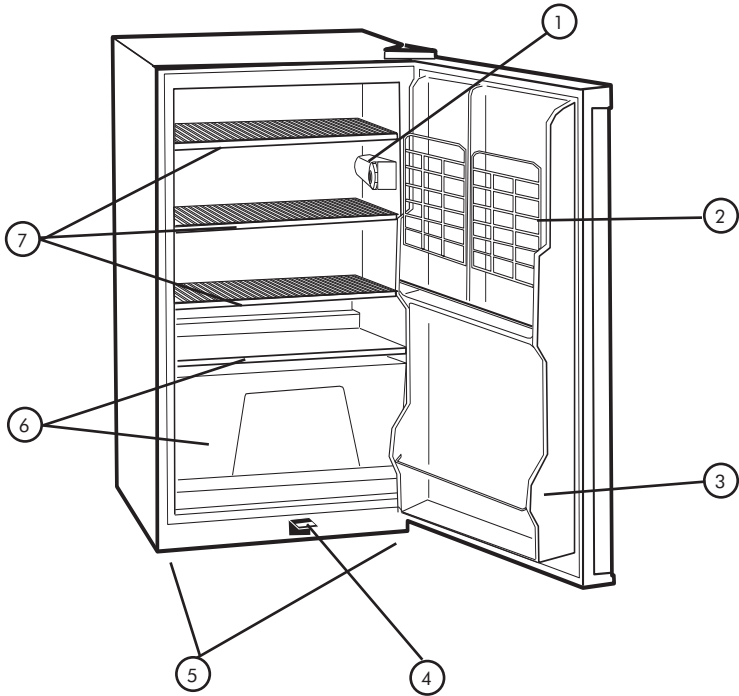
Date of purchase

Staple your receipt to your manual. **You will need it to obtain warranty service.**

Table Of Contents

	PAGE
Safety Precautions	1
Parts And Features	4
Installing Your Refrigerator	5
Unpacking Your Refrigerator	5
Leveling Your Refrigerator	5
Proper Air Circulation	5
Electrical Requirements	5
Install Limitations	6
Use of Extension Cords	6
Door Alignment	7
Door Reversal	8
Refrigerator Features And Use	10
General Features	10
Refrigerator Interior Shelves	10
Dispense-A-Can™	11
Light	11
Crisper	11
Lock and Key	11
Food Storage Information	12
Normal Operating Sounds	12
Proper Refrigerator Care and Cleaning	13
Cleaning and Maintenance	13
Power Interruptions	14
Vacation and Moving Care	14
Troubleshooting	15
Warranty Information	16

Parts And Features



- | | |
|---|---|
| 1. Adjustable Temperature Control and Light | 5. Adjustable Front Leveling Leg (not shown) |
| 2. "Dispense-A-Can™" can storage | 6. Crisper and Crisper Cover |
| 3. Fixed Door Shelf to Accomodate 2 Liter Bottles | 7. 1 Slide-Out Flip Shelf and 2 Slide-Out Glass Shelves |
| 4. Lock | |

Installing Your Refrigerator

Unpacking Your Refrigerator

1. Remove all packaging material. This includes the foam base and all adhesive tape holding the refrigerator accessories inside and outside.
2. Inspect and remove any remains of packing, tape or printed materials before powering on the refrigerator.

Leveling Your Refrigerator

- Your refrigerator has two leveling legs which are located in the front corners of your refrigerator. After properly placing your refrigerator in its final position, you can level your refrigerator.
- Leveling legs can be adjusted by turning them clockwise to raise your refrigerator or by turning them counterclockwise to lower your refrigerator. The refrigerator door will close easier when the leveling legs are extended.

Proper Air Circulation

- To assure your refrigerator works at the maximum efficiency it was designed for, you should install it in a location where there is proper air circulation, plumbing and electrical connections.
- The following are recommended clearances around the refrigerator:
Sides.....3/4 "(19mm)
Top.....2" (50mm)
Back.....2" (50mm)

Electrical Requirement

- Make sure there is a suitable power Outlet (115 volts, 15 amps outlet) with proper grounding to power the refrigerator.
- Avoid the use of three plug adapters or cutting off the third grounding in order to accommodate a two plug outlet. This is a dangerous practice since it provides no effective grounding for the refrigerator and may result in shock hazard.

Install Limitations

- Do not install your refrigerator in any location not properly insulated or heated e.g. garage etc. Your refrigerator was not designed to operate in temperature settings below 55° Fahrenheit.
- Select a suitable location for the refrigerator on a hard even surface away from direct sunlight or heat source e.g. radiators, baseboard heaters, cooking appliances etc. Any floor unevenness should be corrected with the leveling legs located on the front bottom corners of the refrigerator.

Use of Extension Cords

- Avoid the use of an extension cord because of potential safety hazards under certain conditions. If it is necessary to use an extension cord, use only a 3-wire extension cord that has a 3-blade grounding plug and a 3-slot outlet that will accept the plug. The marked rating of the extension cord must be equal to or greater than the electrical rating of the appliance.

Door Alignment (see fig. # 1)

1. Remove hinge cover screw.
2. Remove the top hinge cover.
3. Loosen the top hinge screws using a phillips head screwdriver.
4. Adjust the door or put a spacer in between and then tighten the screws.
5. Replace the top hinge cover.

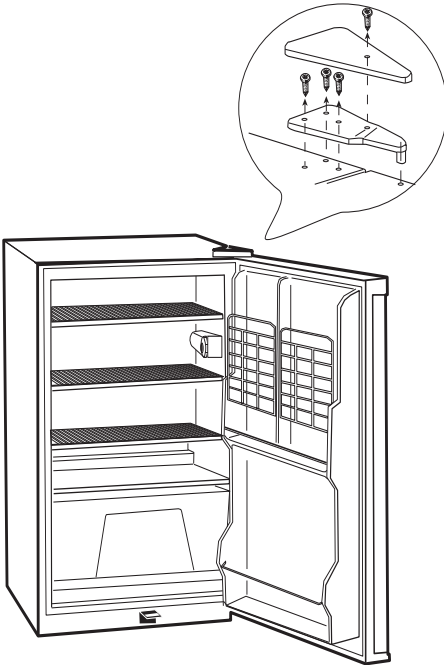


fig. # 1

Reversing the Door Hinge

1. Remove the top hinge cover screw and then remove the top hinge cover. (see fig. # 1)
2. Using a Phillips Head Screwdriver, loosen and remove the screws holding the top hinge in place. (see fig. # 1)
3. Remove the top hinge and carefully lift off the door.
4. Remove the screw hole plug from the opposite side and insert the plug in the screw hole openings of the just removed screws. (see fig. # 2)
5. Remove the door pin from the bracket of the lower hinge by turning counter clockwise. Move the pin to the opposite hole and tighten. (see fig. # 3)
6. Loosen the screws holding the lower hinge bracket and remove the hinge.(see fig. # 3)
7. Align the holes in the lower hinge bracket to the corresponding holes in the opposite side of the cabinet. Insert and tighten the screws.(see fig. # 3)
8. Align the bottom hole on the left side of the door with the pin of the lower hinge and slide into place.

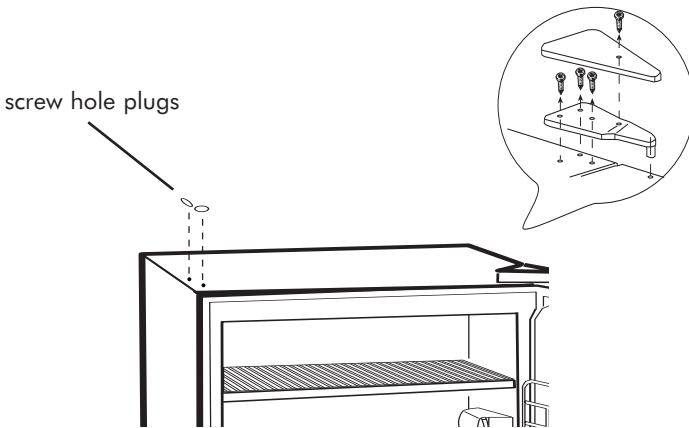
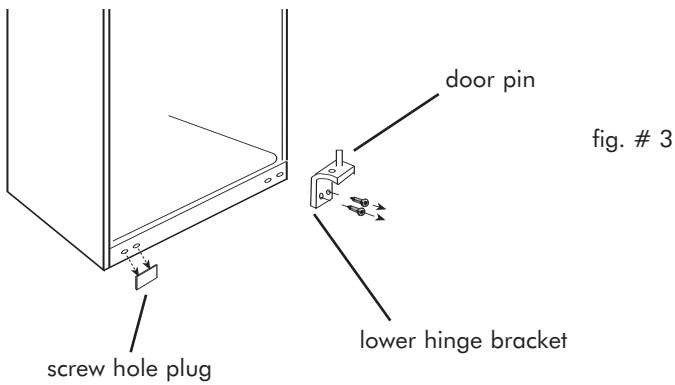


fig. # 2

9. Align the pin of the top hinge with top hole on the left side of the door and push into place. Replace the screws in the upper hinge bracket but do not tighten all the way.
10. Make sure the door closes easily but forms a tight seal. Adjust the door as needed. Once you are satisfied with the door alignment, completely tighten the upper door hinge screws.
11. Replace the hinge cover, insert the screw and tighten completely. (see fig. # 2)
12. If the door does not close properly, refer to the section titled "Door Alignment".



Refrigerator Features And Use

General Features

Adjustable temperature dial:

Your refrigerator will automatically maintain the temperature level you select. The temperature control dial has 7 settings plus off. 1 is the warmest. 7 is the coldest. Turning the dial to OFF stops cooling in both the refrigeration and freezer sections. At first, set the dial to 4 and allow 24 hours to pass before adjusting the temperature to your needs.

(Note: If the refrigerator has been placed in a horizontal or tilted position for any period of time wait 24 hours before plugging the unit in.)

Refrigerator Interior Shelves

To remove or replace a full-width slide-out shelf:

(see fig. # 4)

1. Gently tilt the shelf up and slide forward until the shelf has been completely removed.
2. To replace the shelf, gently slide the shelf back.

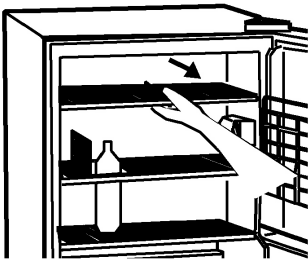


fig. # 4

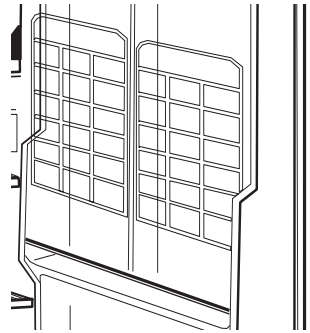
To use the interior flip shelf: (see fig. #4)

1. Simply flip the shelf as shown in the diagram. This is designed to give you extra storage for tall bottles.

Using the Dispense-A-Can™

- Your refrigerator is equipped with the convenient "Dispense-A-Can™" compartment. Each compartment will hold up to four cans. Simply load the cans from the top. To dispense a can, simply draw one out from the bottom. It is that easy.

fig. # 5



Light

- To replace burnt-out bulbs, remove the temperature control knob by pulling it out (see fig. #6a). Carefully pull the plastic light cover to the left and remove. Unscrew the bulb and replace it with a new one (use bulbs of 15 watts or less). To replace cover, insert the black slots into the casing (see fig. #6b). Align the front and push the control knob back in.

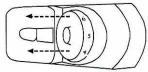


fig. #6a

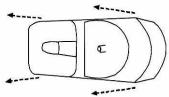
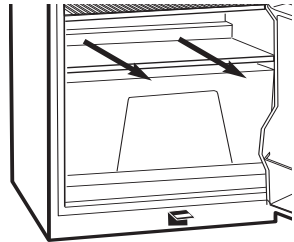


fig. #6b

Crisper

- Your refrigerator has a crisper. To remove the crisper, grab it firmly and pull out. Slide back in to replace it. (see fig. #7)



Lock and Key

- To use, insert key and turn (see fig. #8)

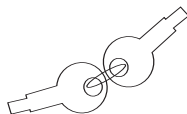


fig. #8

Food Storage Information

Fresh Food

- When storing fresh food, which is not prepackaged, be sure to wrap or store food in airtight and moisture proof material unless otherwise noted. This will ensure proper shelf life and prevent the transfer of odors and tastes.
- Wipe containers before storing to avoid needless spills.
- Eggs should be stored in an upright position in their original carton to maximize shelf life.
- Fruit should be washed and dried then stored in sealed plastic bags before storing in the refrigerator.
- Vegetables with skins should be stored in plastic bags or containers.
- Leafy vegetables should be washed and drained and then stored in plastic bags or containers.
- Hot food should be allowed to cool before storing in the refrigeration. This will prevent unnecessary energy use.
- Fresh seafood should be used the same day as purchased.
- When storing meats in the fresh food section, keep in the original packaging or rewrap as necessary. Follow the suggestions below for safe storage:
 - Chicken 1-2 Days
 - Ground Beef 1-2 Days
 - Cold Cuts 3-5 Days
 - Steaks/Roasts 3-5 Days
 - Smoked/Cured Meats 7-10 Days
 - All others 1-2 Days

Normal Operating Sounds You May Hear

- Boiling water, gurgling sounds or slight vibrations that are the result of the refrigerant circulating through the cooling coils.
- The thermostat control will click when it cycles on and off.

Proper Refrigerator Care and Cleaning

Cleaning and Maintenance

Warning: To avoid electric shock always unplug your refrigerator before cleaning. Ignoring this warning may result in death or injury.

Caution: Before using cleaning products, always read and follow manufacturer's instructions and warnings to avoid personal injury or product damage.

General:

- Prepare a cleaning solution of 3-4 tablespoons of baking soda mixed with warm water. Use sponge or soft cloth, dampened with the cleaning solution, to wipe down your refrigerator.
- Rinse with clean warm water and dry with a soft cloth.
- Do not use harsh chemicals, abrasives, ammonia, chlorine bleach, concentrated detergents, solvents or metal scouring pads. SOME of these chemicals may dissolve, damage and/or discolor your refrigerator.

- Door Gaskets:**
- Clean door gaskets every three months according to general instructions. Gaskets must be kept clean and pliable to assure a proper seal.
 - Petroleum jelly applied lightly on the hinge side of gaskets will keep the gasket pliable and assure a good seal.

Power Interruptions

- Occasionally there may be power interruptions due to thunderstorms or other causes. Remove the power cord from AC outlet when a power outage occurs. When power has been restored, replug power cord to AC outlet. If outage is for a prolonged period, inspect and discard spoiled or thawed food in freezer and refrigerator. Clean refrigerator before reusing.

Vacation and Moving Care

- For long vacations or absences, empty food from refrigerator and freezer, move the temperature DIAL to the OFF position and clean the refrigerator and door gaskets according to "General cleaning" section. Prop doors open, so air can circulate inside. When moving always move the refrigerator vertically. Do not move with the unit lying down. Possible damage to the sealed system could occur.

Troubleshooting

Refrigerator Does Not Operate

- Check if thermostat control is not in the "OFF" position.
- Check if refrigerator is plugged in.
- Check if there is power at the ac outlet, by checking the circuit breaker.

Food temperature appears too warm

- Frequent door openings.
- Allow time for recently added warm food to reach fresh food.
- Check gaskets for proper seal.
- Adjust temperature control to colder setting.

Food temperature is too cold

- If temperature control setting is too cold, adjust to a warmer setting and allow several hours for temperature to adjust.

Refrigerator runs too frequently

- This may be normal to maintain constant temperature during high temperature and humid days.
- Doors may have been opened frequently or for an extended period of time.
- Check gasket for proper seal.
- Check to see if doors are completely closed.

Moisture build up on interior or exterior of the refrigerator:

- This is normal during high humidity periods.
- Prolonged or frequent door openings.
- Check door gaskets for proper seal.

Refrigerator has an odor:

- Interior needs cleaning.
- Foods improperly wrapped or sealed are giving off odors.

Refrigerator door does not shut properly:

- Level the refrigerator.
- Re-align refrigerator door.
- Check for blockages e.g. food containers, crisper cover, shelves, bins etc.

Limited Warranty

What is covered and for how long?

This warranty covers all defects in workmanship or materials for a period of:

- 12 months parts
- 5 years sealed system

The warranty commences on the date the item was purchased and the original purchase receipt must be presented to the authorized service center before warranty repairs are rendered.

What is covered.

1. The mechanical and electrical parts, which serve as a functional, purpose of this appliance for a period of 12 months. This includes all parts except finish, and trim.
2. The components of the sealed system e.g. hermetic compressor, condenser and evaporator from manufacturing defects for a period of 5 years from the date of purchase. Any damages to such components caused by mechanical abuse or improper handling or shipping will not be covered.

What will be done?

1. We will repair or replace, at our discretion any mechanical or electrical part which proves to be defective in normal usage during the warranty period so specified.
2. There will be no charge to the purchaser for parts on any covered items during the initial 12 month period. Beyond this period warranty. Labor is not provided and must be paid by the customer.
3. Contact your nearest authorized Fire Magic Dealer. For the name of the nearest Fire Magic Dealer please call 1-626-369-5085

THIS WARRANTY COVERS APPLIANCES WITHIN THE CONTINENTAL UNITED STATES, PUERTO RICO AND CANADA. IT DOES NOT COVER THE FOLLOWING:

- Damages from improper installation.
- Damages in shipping.
- Defects other than manufacturing.
- Damage from misuse, abuse, accident, alteration, lack of proper care and maintenance or incorrect current or voltage.
- Damage from other than household use.
- Damage from service by other than an authorized dealer or service center.
- Decorative trims or replaceable light bulbs.
- Transportation and shipping.
- Labor.

THIS LIMITED WARRANTY IS GIVEN IN LIEU OF ALL OTHER WARRANTIES, EXPRESSED OR, INCLUDING THE WARRANTIES OF MERCHANTABILITY AND FITNESS FOR A PARTICULAR PURPOSE

The remedy provided in this warranty is exclusive and is granted in lieu of all other remedies.

This warranty does not cover incidental or consequential damages, so the above limitations may not apply to you. Some States do not allow limitations on how long an implied warranty lasts, so the above limitations may not apply to you. This warranty gives you specific legal rights, and you may have other rights, which vary, from state to state.

Fire Magic
14724 East Proctor Ave
City of Industry, CA 91746

Made in China

- -

Free Manuals Download Website

<http://myh66.com>

<http://usermanuals.us>

<http://www.somanuals.com>

<http://www.4manuals.cc>

<http://www.manual-lib.com>

<http://www.404manual.com>

<http://www.luxmanual.com>

<http://aubethermostatmanual.com>

Golf course search by state

<http://golfingnear.com>

Email search by domain

<http://emailbydomain.com>

Auto manuals search

<http://auto.somanuals.com>

TV manuals search

<http://tv.somanuals.com>