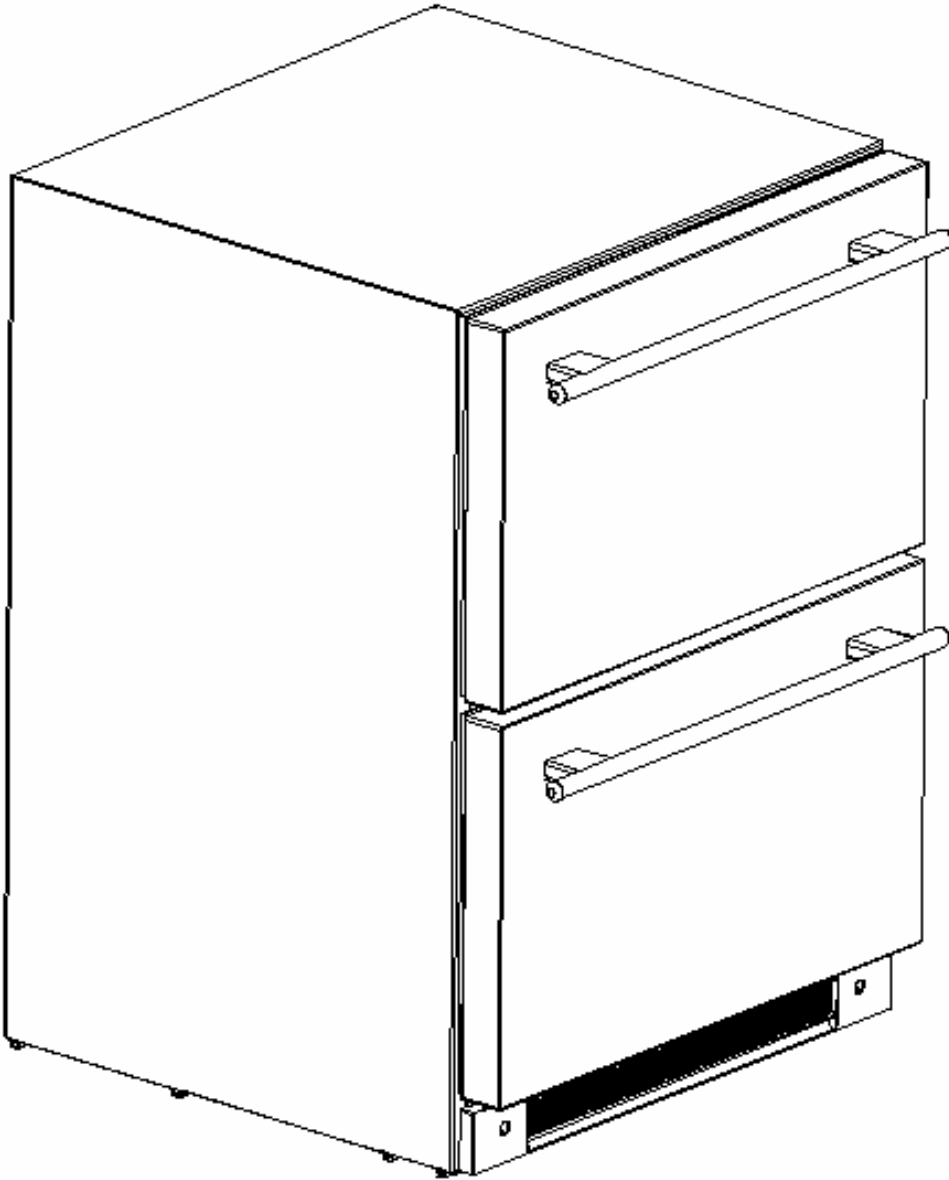


## All refrigerating dual-drawers refrigerator



Models : **DD300RW** ( White exterior )  
**DD350RB** ( Black exterior )  
**DD400R\*** ( Stainless steel Door )  
**DD450R\*** ( Wood door plate )

# Catalog

SAFETY PRECAUTIONS .....	3
Structural drawing .....	5
Dimensions drawing.....	5
Installing instruction.....	6
Preparation before installing: .....	6
Installation:.....	7
First step:.....	7
Sencond step:.....	8
Third step:.....	8
Removable interior parts: .....	9
Crisper .....	9
Adjustable shelf.....	9
Dimensions of drawers.....	11
Upper drawer .....	11
Lower drawer .....	11
How to use this product.....	11
Important notes before connect the power supply: .....	11
Connect the power supply: .....	11
Interior LED bulb: .....	12
Temperature setting: .....	12
Thermoregulation guard.....	12
Degree Centigrade and Fahrenheit conversion: .....	12
Power switch.....	13
Sabbath mode.....	13
Sound alarm system .....	13
Auto Defrost.....	13
Cleaning .....	14
TroubleShooting.....	14
Refrigerator does not operate: .....	14
Refrigerator too warm: .....	14
Refrigerator runs too frequently: .....	14
Moisture build up on interior or exterior of the refrigerator: .....	15
Refrigerator door does not shut properly: .....	15
Limited Warranty .....	15
What is covered and for how long?.....	15
What is covered? .....	15
What will be done?.....	15

## **SAFETY PRECAUTIONS**

**Read all of the instructions before using this appliance.**

**When using this appliance, always exercise basic safety precautions, including the following:**

- 1) Use this appliance only for its intended purpose as described in this use and care guide.
- 2) This refrigerator must be properly installed in accordance with the installation instructions before it is used. See grounding instructions in the installation section.
- 3) Never unplug your refrigerator by pulling on the power cord. Always grasp the plug firmly and pull straight out from the outlet.
- 4) Repair or replace immediately, all electric service cords that have become frayed or otherwise damaged. Do not use a cord that shows cracks or abrasion damage along its length, the plug or the connector end.
- 5) Unplug your refrigerator before cleaning or before making any repairs.  
Note: If for any reason this product requires service, we strongly recommend that a certified technician performs the service.
- 6) Do not use any electrical device or any sharp instrument in defrosting your refrigerator.
- 7) If your old refrigerator is not being used, we recommend that you remove the doors and leave the shelves in place. This will reduce the possibility of danger to children.
- 8) After your refrigerator is in operation, do not touch the cold surfaces in the refrigerator compartment, particularly when hands are damp or wet. Skin may adhere to these extremely cold surfaces.
- 9) Do not refreeze foods, which have been thawed completely. The United States Department of Agriculture in Home and Garden Bulletin No. 69 reads: “ ...You may safely refreeze frozen foods that have thawed if they still contain ice crystals or if they are still cold-below 40°F ” .  
“ ...Thawed ground meats, poultry, or fish that have any off-odor or off-color should not be refrozen and should not be eaten. Thawed ice cream should be discarded. If the odor or color of any food is poor or questionable, discard it. The food may be dangerous to eat. ”  
“ ...Even partial thawing and re-freezing reduce the eating quality of foods, particularly fruits, vegetables, and prepared foods. The eating quality of red meats is affected less than that of many other foods. Use refrozen foods as soon as possible, to save as much of its eating quality as you can. ”
- 10) This refrigerator should be recessed or built-in an enclosed cabinet. It is not designed for freestanding installation only.
- 11) Do not operate your refrigerator in the presence of explosive fumes.

## **SAVE THESE INSTRUCTIONS**

**For Future Use**

### **DANGER**

**Risk of child entrapment. Before you throw away your old refrigerator or refrigerator, take off the door. Leave the shelves in place so that children may not easily climb inside.**

**Thank you for using our Haier product. This easy-to-use manual will guide you in getting the best use of your refrigerator. Remember to record the model and serial number. They are on a label in back of the refrigerator.**

**Model number**

---

**Serial number**

---

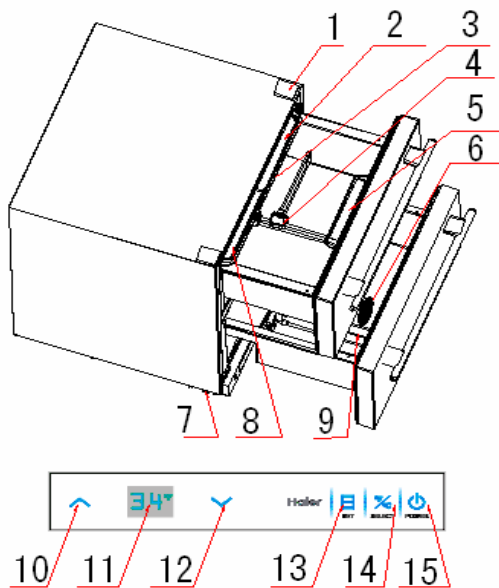
**Date of purchase**

---

**Staple your receipt to your manual. You will need it to obtain warranty service.**

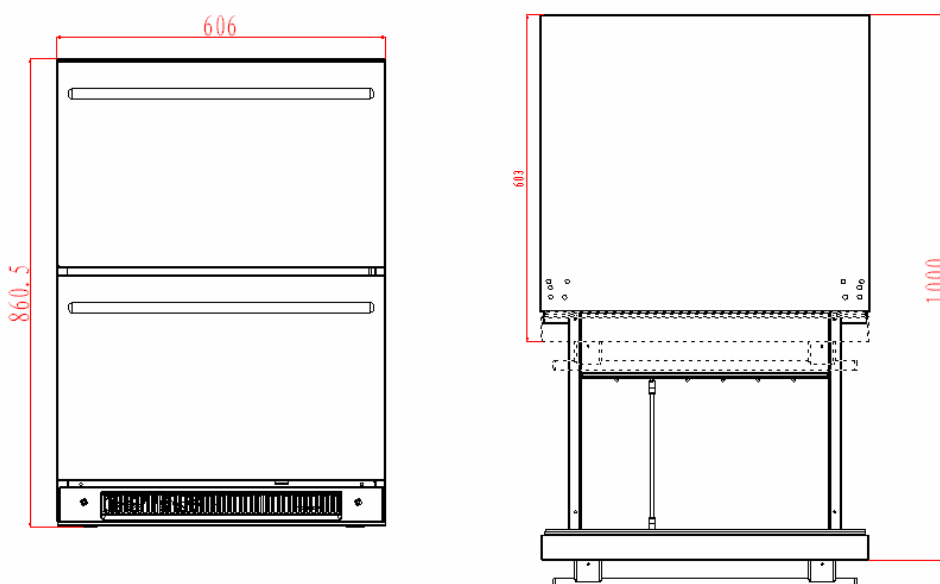
### **TABLE OF CONTENTS**

## Structural drawing



- 1.Cover Upper 2.Upper Cover,Crisper 3.Crisper 4.Upper Partition Assy 5.Control Panel 6.Accessory Package 7.Feet
- 8.Lower Cover,Crisper 9.Lower Partition Assy 10.Botton Upper
- 11.LED Screen 12.Botton Lower 13.Thermo Set 14.Thermo Model Selection 15.Power Switch

## Dimensions drawing



## Installing instruction

**This refrigerator is a kind of build-in product, before you use it this product must be installed.**

### **Preparation before installing:**

First, clean product's surface with soft cloth, remove all protective coating and belt covering the product. Don't use abrasive cleaning cleaners.

1. Pull the upper drawer open, Refer to the illustrations below, put both dividers of shelf on same side, lift the crisper up off the upper drawer.



2. Lift up both sides of the shelf off the bin cradle with two hands together.



3. Rotate the shelf of upper drawer



4. Take the upper shelf out of the upper compartment

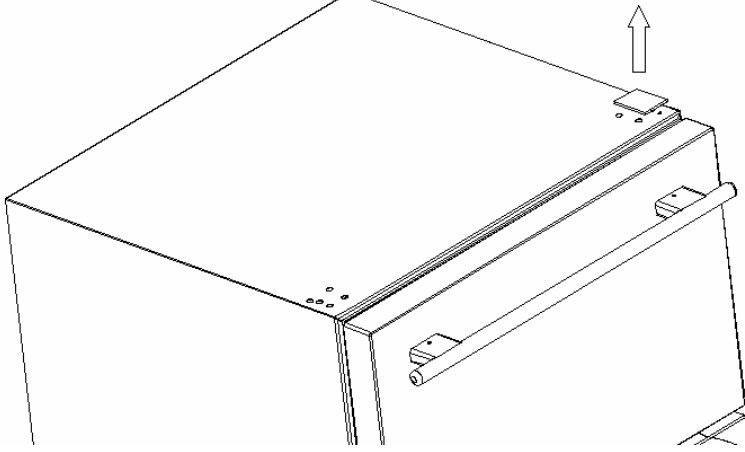


Note: After these four steps finished ,please close the upper drawer to avoid damage to your body by sliding out of drawers of following installation.

### **Installation:**

**This refrigerator is a kind of build-in product, before you use it this product must be installed.**

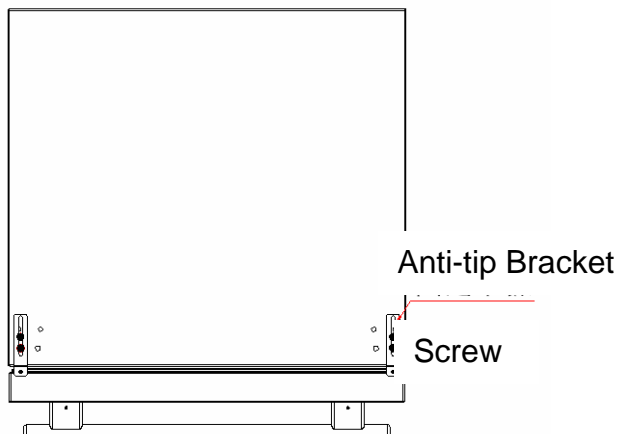
**First step:** Take off part "1" (holes cover) of Structural drawing with upwards strength ,refer to illustrations below:



## Sencond step:

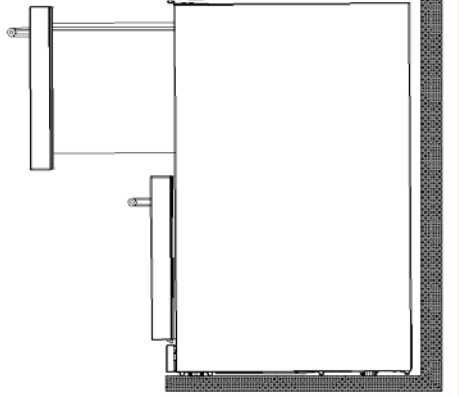
Take the anti-tip bracket and screws from the accessory bag. Tighten the anti-tip bracket on the top of the product with screws as following the illustration

Note:Please install just as following illustrations about holes,If you choose wrong hole,it will do damage to the top of your product and screws.Besides,you should adjust the position of bracket base on the height of unit in advance , so that we could save operation of taking out the unit of counter again to choose position of bracket in next step.



**Third step:** Put the unit inside of counter.Pull upper drawer open and attach the anti-tip bracket to counter by screw. You can adjust the feet on the corners of unit (Part 7 in Structural drawing)





## Removable interior parts:

### Crisper

One crisper with cover in upper drawer, user can adjust the position of crisper depending on needs of storage.

Purpose: Convenient for separate storage of fresh vegetable or fruits. It can stop from Risk of Odour. You can take crisper out when not needed.

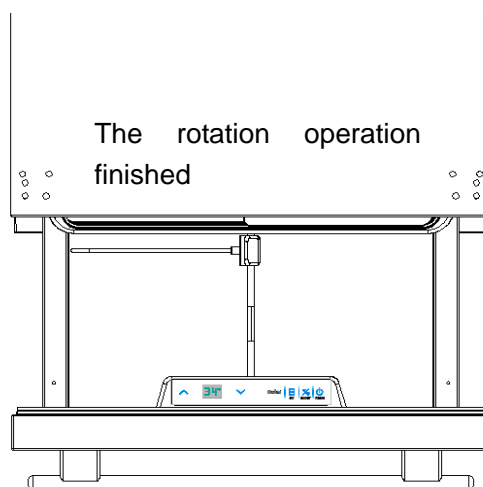
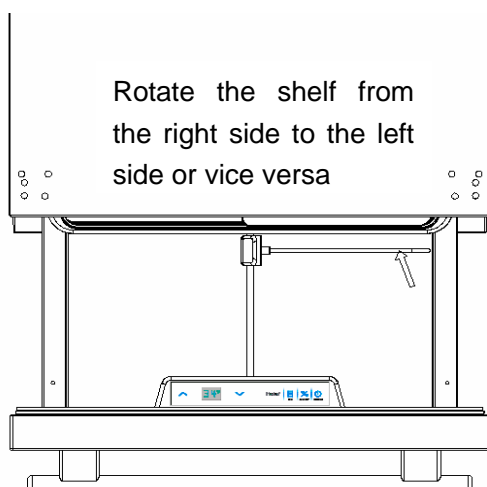
### Adjustable shelf.

There are an adjustable shelf in each drawer. User can adjust them to be suitable for different food storage. You can take it out when not needed.

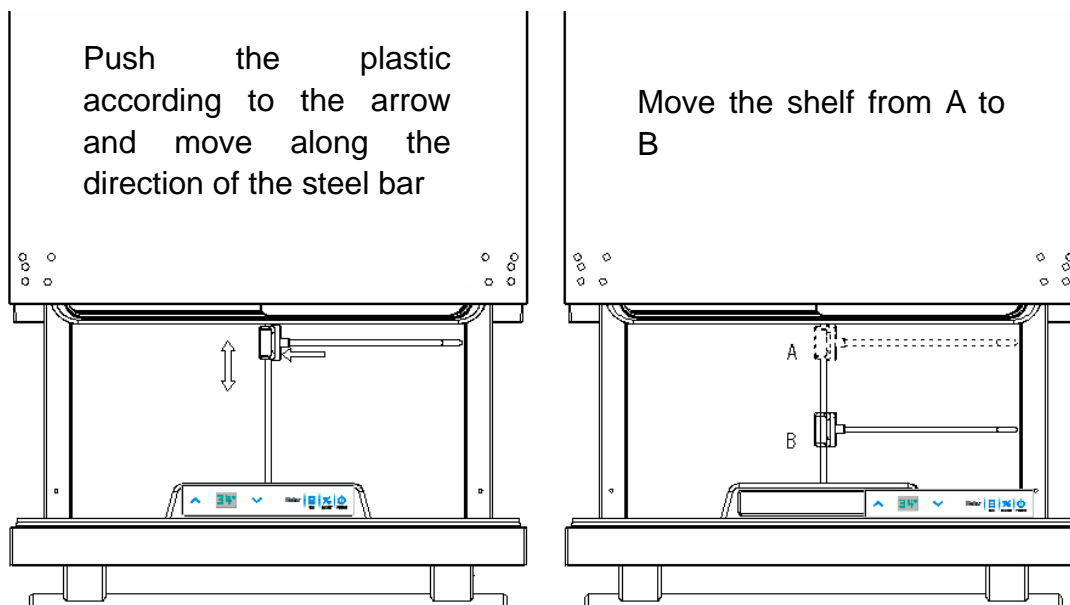
Note: Keep it in safe place if taken out, especially keep it from children to avoid damage to them and itself.

Adjust of shelf of upper compartment

Separate the compartment to left and right or vice versa.



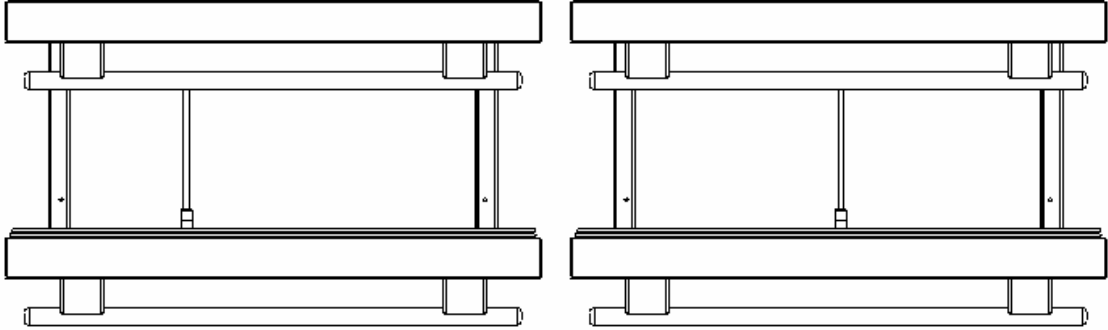
Separate the compartment to front and back or vice versa



The upper compartment is separated to left and right parts by middle shelf fastened to bin cradle of upper compartment. Those two dividers of shelf can be adjusted left and right, also back and front. For left and right adjust: you can rotate directly. For back and front: you should push the "push" button in middle connector and move it back to front. If you want to clean your refrigerator, you can remove the shelf following step of **" Preparation before installing "**

Purpose: People can separate the upper compartment with divider according to personal needs, can keep foods fixed to avoid falling down when drawers and being opened and closed.

Adjust the shelf of lower compartment, referring to illustrations:



The shelf of lower compartment is fixed between the embossments of front and back wall of drawer. You can choose different embossments to divide into different spaces in drawer.

Purpose: People can separate the lower compartment with divider according to personal needs,

## Dimensions of drawers

### Upper drawer

It can load the 2 liter bottle with height of 12 inch, so it can stock all foods or beverage whose height is less than 12 inch.

### Lower drawer

Lower drawer is separated by step. Foods or beverage whose height is less than 12 inch can be kept in the space without step. Pop cans can be kept in space with step.

## How to use this product

### Important notes before connect the power supply:

*CAUTION: DON'T USE EXTENSION CORDS.*

Actual power supply should keep in accord with marks in rating plate (115V/60HZ). Rating plate is on back of unit.

Power socket should be equipped with fuse of 10A. Keep the refrigerator still for half or one hour before connecting to power socket which has been grounded.

### Connect the power supply:

Unit is inspected and set to be 38 before leaving the factory. When connected with the power supply, unit will work normally.

## Interior LED bulb:

LED bulb is located on top of interior liner in each upper and lower compartment. It is controlled by approaching switch: when drawer is open, it's on, when drawer is close, it's off.

Caution: there are magnets who fix the approaching switch on left side of interior upper drawer and bottom of lower drawer door. Don't remove them when unit are working normally.

## Temperature setting:

If you want to change temperature, press "SET" for three seconds, temperature figure will flash in control panel, then you can adjust the figure and press "SET" to confirm after you complete your operation.

If you want to reduce the temperature, press the button of

If you want to raise the temperature, press the button of

For example: if you want get 45°F, just press "SET" button momentarily, when "tick", the figure of temperature will flash, now you can adjust the temperature, after adjustment, press "SET" to confirm, then the figure of temperature will flash again. After 5 seconds, it will display the actual temperature of unit. Then the figure of temperature will keep changing until reach adjusted temperature, and the display panel will show the changing temperature also.

**Temperature range is : 34 ~ 47 ( 1 ~ 7 ) .**



## Thermoregulation guard

Design of thermoregulation guard lock is to avoid children's changing unconsciously.

Thermoregulation guard unlock: press and hold "SET" for 3 seconds. when "tick", it means unlock signal, the temperature figure flashes, you can adjust now. After adjustment, press "SET" to confirm and start thermoregulation guard clock. Now you can't adjust the temperature by pressing " " " " .

## Degree Centigrade and Fahrenheit conversion:

Press and hold "select" for 3 seconds, temperature display will change from Fahrenheit to be

Centigrade degree,buzzer will ring once. Press and hold “select” for 3 seconds,it will change form Centigrade to be Fahrenheit, buzzer will ring once again.

## **Power switch**

Display panel has power button”Power”,If you want to stop unit working for short time or to restart,press and hold“power” for 3 seconds to open and close.

Notes:If you want to stop unit working for long time,please shut off power supply,take off plug of socket, cut off the fuser,clean RF,and remove door of unit to get rid of Odour

## **Sabbath mode**

Note: This mode is available for the observance of certain religious holidays.

Press and hold ” and “ ” at the same time for 3 seconds, buzzer will ring once, display panel will flash for 3 times and close.This indicates that the unit has entered Sabbath mode.In this mode,normal cooling operations still take place(compressor,magnetic valve,fan,heater strip),but all luminous equipment including display panel,LED bulb will shut off no matter door is opening or closing.

Press and hold ” and “ ” at the same time for 3 seconds,after figure of display panels flashes for 3 times,you can exit from Sabbath mode.

## **Sound alarm system**

Sound alarm system can keep temperature from exceeding so much

If the door of unit is kept open for long time and affect temperature so much,the system will give an alarm,if you want to close it,press “SET” button.

When interior temperature of unit is too hot or cold,product will give an alarm.Temperature display will change and flash.It will keep flashing until the cause is removed.If you want to close alarm system,press “SET”button.

Notes: When display error appears,alarm system will take effect,you can shut off the power supply for 10 minutes if not aware of cause. Restart it again.If problems remain,please contact with nearest customer sevice center.

## **Auto Defrost**

Unit can defrost automatically: the water of back wall will drain into water tank and be evaporated by the calorie of condensator.Please check if water can drain into the tank automatically.

## Cleaning:

Before cleaning, shut off the power of unit. Take off the plug of socket and remove fuser.

Clean interior surfaces and accessories and outer frame with cold water and a little baking soda.

Don't clean with steam to avoid damage to product.

Don't use abrasive, acidic and chemical cleanser, Recommend to use neutre cleanser

**Keep cleanser from immerging into elcetrical device.**

**Clean and dry all accessories.**

Clean drain hole which is between comparments of unit with small and soft cleaner such as cotton swab.

## TroubleShooting

### Refrigerator does not operate:

- Check if refrigerator is plugged in.
- Check if there is power in the AC outlet, by checking the circuit breaker.

### Refrigerator too warm:

- Frequent door openings.
- Allow time for recently added beverage to reach desired temperature.
- Check gaskets for proper seal.
- Clean condenser coils.
- Adjust temperature control to colder setting.

### Refrigerator runs too frequently:

- This may be normal to maintain constant temperature during high temperature and humid days.
- Doors may have been opened frequently or for an extended period of time.

- Clean condenser coils.
- Check gasket for proper seal.
- Check to see if doors are completely closed.

**Moisture build up on interior or exterior of the refrigerator:**

- This is normal during high humidity periods.
- Prolong or frequent door openings.
- Check door gaskets for proper seal.

**Refrigerator door does not shut properly:**

- Level the refrigerator.
- Check for blockages e.g. beverage bottles,slide orbit,signal wire under the upper drawer and the switch under the door plate of the lower drawer.

**Limited Warranty**

**What is covered and for how long?**

This warranty covers all defects in workmanship or materials for a period of :

**12 months labor**

**12 months parts**

**5 years sealed system**

The warranty commences on the date the item was purchased and the original purchase receipt must be presented to the authorized service center before warranty repairs are rendered.

**EXCEPTIONS:Commercial or Rental Use warranty**

**90 days labor(carry-in only)**

**90 days parts**

**No other warranty applies**

**What is covered.**

The mechanical and electrical parts,which serve as a functional ,purpose of this

appliance for a period of 12months. This includes all parts except finish ,and trim. The components of the sealed system e.g. hermetic compressor,condenser and evaporator from manufacturing defects for a period of 5 years from the date of purchase.

Any damages to such components caused by mechanical abuse or improper handling or shipping will not be covered.

**What will be done?**

We will repair or replace,at our discretion any mechanical or electrical part which proves to be defective in normal usage during the warranty period so specified.

There will be no charge to the purchaser for parts and labor on any covered items during the initial 12 month period.Beyond this period only parts are covered in the remaining warranty. Labor is not provided and must be paid by the customer.

Contact your nearest authorized service center. For the name of the nearest serive center please call 1-877-337-3639

**THIS WARRANTY COVERS APPLIANCES  
WITHIN THE CONTINENTAL UNITED  
STATES, PUERTO RICO AND CANADA.  
IT DOES NOT COVER THE FOLLOWING:**

Damages from improper installation.  
Damages in shipping.  
Defects other than manufacturing.  
Damage from misuse, abuse, accident,  
maintenance or incorrect current or voltage.  
Damage from other than household use.  
Damage from service by other than an  
authorized dealer or service center.  
Decorative trims or replaceable light bulbs.  
Transportation and shipping.  
Labor(after the initial 12 months).

**THIS LIMITED WARRANTY IS GIVEN IN  
LIEU OF ALL OTHER WARRANTIES,  
EXPRESSED OR, INCLUDING THE  
WARRANTY OF MERCHANTABILITY  
AND FITNESS FOR A PARTICULAR**

**PURPOSE**

The remedy provided in this warranty is exclusive and is granted in lieu of all other remedies.

This warranty does not cover incidental or consequential damages, so the above limitations may not apply to you. Some States do not allow limitations on how long an implied warranty lasts, so the above limitations may not apply to you.

This warranty gives you specific legal rights, and you may have other rights, which vary, from state to state.

Haier America

New York, NY 10018

# IMPORTANT

## Do Not Return This Product To The Store

If you have a problem with this product, please contact the “Haier Customer Satisfaction Center” at 1-877-337-3639.

**DATED PROOF OF PURCHASE REQUIRED FOR WARRANTY SERVICE**



**Made in China**

# **Haier**

**Haier America  
New York, NY 10018**

**Printed in China**

## Free Manuals Download Website

<http://myh66.com>

<http://usermanuals.us>

<http://www.somanuals.com>

<http://www.4manuals.cc>

<http://www.manual-lib.com>

<http://www.404manual.com>

<http://www.luxmanual.com>

<http://aubethermostatmanual.com>

Golf course search by state

<http://golfingnear.com>

Email search by domain

<http://emailbydomain.com>

Auto manuals search

<http://auto.somanuals.com>

TV manuals search

<http://tv.somanuals.com>