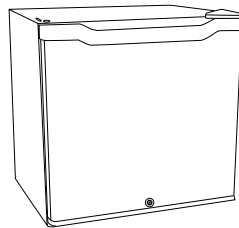
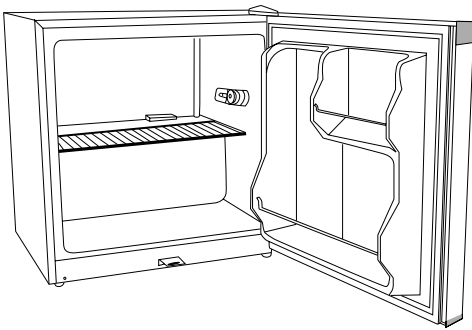




Compact Refrigerator Réfrigérateur Compact Refrigerador Compacto



User Manual
Model # FFAR2L

Guide de l'Utilisateur
Modèle # FFAR2L

Manual del Usuario
Para Modelo de # FFAR2L

SAFETY PRECAUTIONS

Read all of the instructions before using this appliance. When using this appliance, always exercise basic safety precautions, including the following:

- 1) Use this appliance only for its intended purpose as described in this use and care guide.
- 2) This refrigerator must be properly installed in accordance with the installation instructions before it is used. See grounding instructions in the installation section.
- 3) Never unplug your refrigerator by pulling on the power cord. Always grasp the plug firmly and pull straight out from the outlet.
- 4) Repair or replace immediately, all electric service cords that have become frayed or otherwise damaged. Do not use a cord that shows cracks or abrasion damage along its length, the plug or the connector end.
- 5) Unplug your refrigerator before cleaning or before making any repairs.
Note: If for any reason this product requires service, we strongly recommend that a certified technician performs the service.
- 6) Do not use any electrical device or any sharp instrument in defrosting your refrigerator.
- 7) If your old refrigerator is not being used, we recommend that you remove the doors and leave the shelves in place. This will reduce the possibility of danger to children.
- 8) After your refrigerator is in operation, do not touch the cold surfaces in the freezer compartment, particularly when hands are damp or wet. Skin may adhere to these extremely cold surfaces.
- 9) This refrigerator should not be recessed or built-in an enclosed cabinet. It is designed for freestanding installation only.
- 10) Do not operate your refrigerator in the presence of explosive fumes.

SAVE THESE INSTRUCTIONS

DANGER

Risk of child entrapment. Before you throw away your old refrigerator or freezer, take off the doors. Leave the shelves in place so that children may not easily climb inside.

Thank you for using our Haier product. This easy-to-use manual will guide you in getting the best use of your refrigerator.

Remember to record the model and serial number. They are on a label in back of the refrigerator.

Model number

Serial number

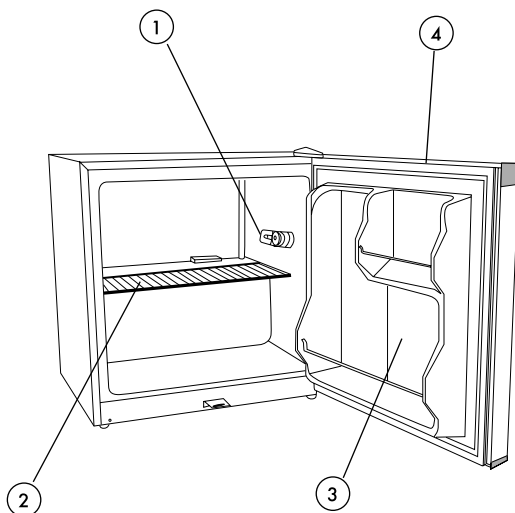
Date of purchase

Staple your receipt to your manual. **You will need it to obtain warranty service.**

Table Of Contents

	PAGE
Safety Precautions	1
Parts And Features	4
Installing Your Refrigerator	5
Unpacking Your Refrigerator.....	5
Leveling Your Refrigerator.....	5
Proper Air Circulation	5
Electrical Requirements.....	6
Door Alignment	7
Door Reversal	8
Refrigerator Features And Use	10
General Features	10
Refrigerator Interior Shelves	10
Dispense-A-Can™	11
Defrosting	11
Food Storage Information.....	12
Normal Operating Sounds	12
Proper Refrigerator Care and Cleaning	13
Cleaning and Maintenance	13
Power Interruptions	14
Vacation and Moving Care	14
Troubleshooting	15
Warranty Information	16

Parts And Features



1. Adjustable Temperature Control and Light
2. Full-width Refrigerator Shelf
3. Door Shelf
4. Lock and Key

Installing Your Refrigerator

Unpacking Your Refrigerator

1. Remove all packaging material. This includes the foam base and all adhesive tape holding the refrigerator accessories inside and outside.
2. Inspect and remove any remains of packing, tape or printed materials before powering on the refrigerator.

Leveling Your Refrigerator

- Your refrigerator has two leveling legs which are located in the front corners of your refrigerator. After properly placing your refrigerator in its final position, you can level your refrigerator.
- Leveling legs can be adjusted by turning them clockwise to raise your refrigerator or by turning them counterclockwise to lower your refrigerator. The refrigerator door will close easier when the leveling legs are extended.

Proper Air Circulation

- To assure your refrigerator works at the maximum efficiency it was designed for, you should install it in a location where there is proper air circulation, plumbing and electrical connections.
- The following are recommended clearances around the refrigerator:
Sides.....3/4 "(19mm)
Top.....2" (50mm)
Back.....2" (50mm)

Electrical Requirement

- Make sure there is a suitable power Outlet (115 volts, 15 amps outlet) with proper grounding to power the refrigerator.
- Avoid the use of three plug adapters or cutting off the third grounding in order to accommodate a two plug outlet. This is a dangerous practice since it provides no effective grounding for the refrigerator and may result in shock hazard.

Use of Extension Cords

- Avoid the use of an extension cord because of potential safety hazards under certain conditions. If it is necessary to use an extension cord, use only a 3-wire extension cord that has a 3-blade grounding plug and a 3-slot outlet that will accept the plug. The marked rating of the extension cord must be equal to or greater than the electrical rating of the appliance.

Install Limitations

- Do not install your refrigerator in any location not properly insulated or heated e.g. garage etc. Your refrigerator was not designed to operate in temperature settings below 55° Fahrenheit.
- Select a suitable location for the refrigerator on a hard even surface away from direct sunlight or heat source e.g. radiators, baseboard heaters, cooking appliances etc. Any floor unevenness should be corrected with the leveling legs located on the front bottom corners of the refrigerator.

Door Alignment (see fig. # 1)

1. Remove hinge cover screw.
2. Remove the top hinge cover.
3. Loosen the top hinge screws using a phillips head screwdriver.
4. Adjust the door or put a spacer in between and then tighten the screws.
5. Replace the top hinge cover.

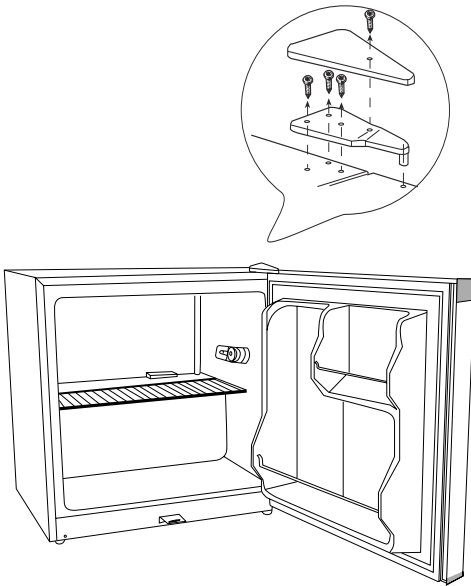


fig. # 1

Reversing the Door Hinge

1. Remove the top hinge cover screw and then remove the top hinge cover. (see fig. # 1)
2. Using a Phillips Head Screwdriver, loosen and remove the screws holding the top hinge in place. (see fig. # 1)
3. Remove the top hinge and carefully lift off the door.
4. Remove the screw hole plug from the opposite side and insert the plug in the screw hole openings of the just removed screws. (see fig. # 2)
5. Remove the door pin from the bracket of the lower hinge by turning counter clockwise. Move the pin to the opposite hole and tighten. (see fig. # 3)
6. Loosen the screws holding the lower hinge bracket and remove the hinge.(see fig. # 3)
7. Align the holes in the lower hinge bracket to the corresponding holes in the opposite side of the cabinet. Insert and tighten the screws.(see fig. # 3)
8. Align the bottom hole on the left side of the door with the pin of the lower hinge and slide into place.

screw hole plugs

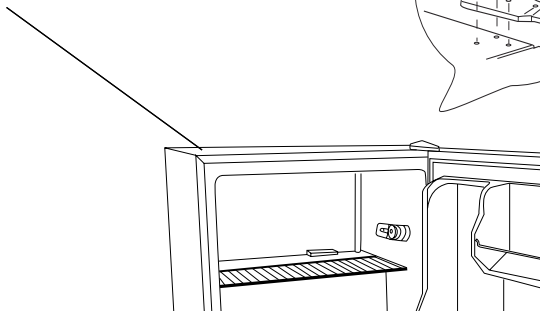


fig. # 2

9. Align the pin of the top hinge with top hole on the left side of the door and push into place. Replace the screws in the upper hinge bracket but do not tighten all the way.
10. Make sure the door closes easily but forms a tight seal. Adjust the door as needed. Once you are satisfied with the door alignment, completely tighten the upper door hinge screws.
11. Replace the hinge cover, insert the screw and tighten completely. (see fig. # 2)
12. If the door does not close properly, refer to the section titled "Door Alignment".

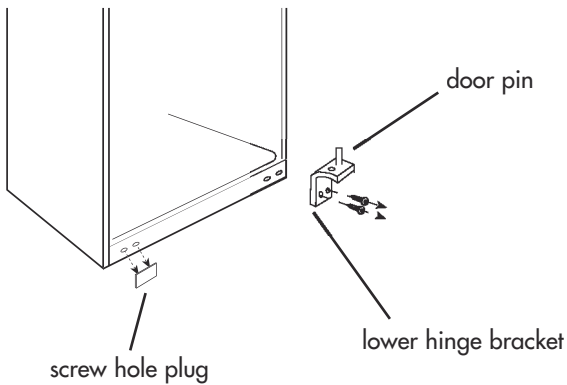


fig. # 3

Refrigerator Features And Use

General Features

Adjustable temperature dial:

Your refrigerator will automatically maintain the temperature level you select. The temperature control dial has 7 settings plus off. 1 is the warmest. 7 is the coldest. Turning the dial to OFF stops cooling in both the refrigeration and freezer sections. At first, set the dial to 4 and allow 24 hours to pass before adjusting the temperature to your needs.

(Note: If the refrigerator has been placed in a horizontal or tilted position for any period of time wait 24 hours before plugging the unit in.)

Refrigerator Interior Shelves

To remove or replace a full-width slide-out shelf: (see fig. # 4)

1. Gently tilt the shelf up and slide forward until the shelf has been completely removed.
2. To replace the shelf, gently slide the shelf back.

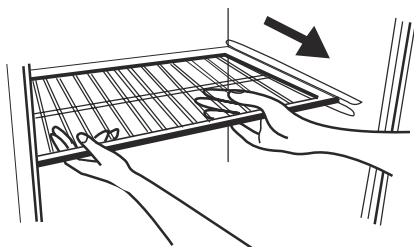
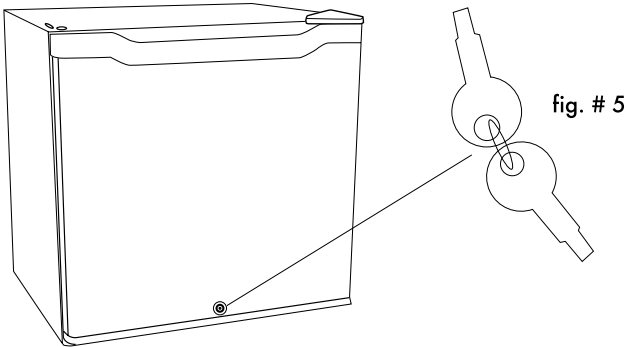


fig. # 4

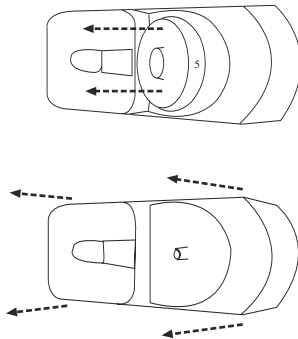
Using the Lock

- Your refrigerator is equipped with a lock and key (located at the bottom center of the door) for optional security, should you choose. Simply close the refrigerator door, insert the key and turn. To open, insert the key and turn in the opposite direction.



Light

- To replace burnt-out bulbs, remove the temperature control knob by pulling it out. Carefully pull the plastic light cover to the left and remove. Unscrew the bulb and replace it with a new one (use bulbs of 15 watts or less). To replace cover, insert the back slots into the casing. Align the front and push the control knob back in.



Food Storage Information

Fresh Food

- When storing fresh food, which is not prepackaged, be sure to wrap or store food in airtight and moisture proof material unless otherwise noted. This will ensure proper shelf life and prevent the transfer of odors and tastes.
- Wipe containers before storing to avoid needless spills.
- Eggs should be stored in an upright position in their original carton to maximize shelf life.
- Fruit should be washed and dried then stored in sealed plastic bags before storing in the refrigerator.
- Vegetables with skins should be stored in plastic bags or containers.
- Leafy vegetables should be washed and drained and then stored in plastic bags or containers.
- Hot food should be allowed to cool before storing in the refrigeration. This will prevent unnecessary energy use.
- Fresh seafood should be used the same day as purchased.
- When storing meats in the fresh food section, keep in the original packaging or rewrap as necessary. Follow the suggestions below for safe storage:

• Chicken	1-2 Days
• Ground Beef	1-2 Days
• Cold Cuts	3-5 Days
• Steaks/Roasts	3-5 Days
• Smoked/Cured Meats	7-10 Days
• All others	1-2 Days

Normal Operating Sounds You May Hear

- Boiling water, gurgling sounds or slight vibrations that are the result of the refrigerant circulating through the cooling coils.
- The thermostat control will click when it cycles on and off.

Proper Refrigerator Care and Cleaning

Cleaning and Maintenance

Warning: To avoid electric shock always unplug your refrigerator before cleaning. Ignoring this warning may result in death or injury.

Caution: Before using cleaning products, always read and follow manufacturer's instructions and warnings to avoid personal injury or product damage.

General:

- Prepare a cleaning solution of 3-4 tablespoons of baking soda mixed with warm water. Use sponge or soft cloth, dampened with the cleaning solution, to wipe down your refrigerator.
- Rinse with clean warm water and dry with a soft cloth.
- Do not use harsh chemicals, abrasives, ammonia, chlorine bleach, concentrated detergents, solvents or metal scouring pads. SOME of these chemicals may dissolve, damage and/or discolor your refrigerator.

- Door Gaskets:** Clean door gaskets every three months according to general instructions. Gaskets must be kept clean and pliable to assure a proper seal.
- Petroleum jelly applied lightly on the hinge side of gaskets will keep the gasket pliable and assure a good seal.

Power Interruptions

- Occasionally there may be power interruptions due to thunderstorms or other causes. Remove the power cord from AC outlet when a power outage occurs. When power has been restored, replugin power cord to AC outlet. If outage is for a prolonged period, inspect and discard spoiled or thawed food in freezer and refrigerator. Clean refrigerator before reusing.

Vacation and Moving Care

- For long vacations or absences, empty food from refrigerator and freezer, move the temperature DIAL to the OFF position and clean the refrigerator and door gaskets according to "General cleaning" section. Prop doors open, so air can circulate inside. When moving always move the refrigerator vertically. Do not move with the unit lying down. Possible damage to the sealed system could occur.

Troubleshooting

Refrigerator Does Not Operate

- Check if thermostat control is not in the "OFF" position.
- Check if refrigerator is plugged in.
- Check if there is power at the ac outlet, by checking the circuit breaker.

Food temperature appears too warm

- Frequent door openings.
- Allow time for recently added warm food to reach fresh food or freezer temperature.
- Check gaskets for proper seal.
- Clean condenser coils.
- Adjust temperature control to colder setting.

Food temperature is too cold

- If temperature control setting is too cold, adjust to a warmer setting and allow several hours for temperature to adjust.

Refrigerator runs too frequently

- This may be normal to maintain constant temperature during high temperature and humid days.
- Doors may have been opened frequently or for an extended period of time.
- Clean condenser coils.
- Check gasket for proper seal.
- Check to see if doors are completely closed.

Moisture build up on interior or exterior of the refrigerator:

- This is normal during high humidity periods.
- Prolonged or frequent door openings.
- Check door gaskets for proper seal.

Refrigerator has an odor:

- Interior needs cleaning.
- Foods improperly wrapped or sealed are giving off odors.

Refrigerator door does not shut properly:

- Level the refrigerator.
- Re-align refrigerator door.
- Check for blockages e.g. food containers, crisper cover, shelves, bins etc.

FELIX STORCH, INC.

770 GARRISON AVENUE BRONX, NY 10474

SUMMIT LIMITED WARRANTY

Summit Appliances warrants this product to be free from defects in materials and workmanship for a period of one year from the date of original purchase or delivery. Any parts determined to be defective will be replaced by SUMMIT at no charge to you. Plastic parts, liners and outer cabinets are warranted to be manufactured to commercially acceptable standards and free from defects at the time of delivery.

This limited warranty does not apply to:

1. Improper installation
2. Customer misuse, negligence or damage
3. Incorrect electrical current
4. Products with the serial number altered or removed
5. Products sold or used outside the fifty United States or the District of Columbia
6. Commercial or Industrial Users
7. Damage to this product from accidents, alterations, failure to follow instructions, fire, floods, earthquakes, war, civil disturbance or Acts of God.

SUMMIT is not liable for consequential or incidental damage.

SUMMIT APPLIANCE DIV.
FELIX STORCH, INC.
770 GARRISON AVENUE
BRONX, NY 10474

FACTORY REGISTRATION CARD**THANK YOU FOR PURCHASING A QUALITY SUMMIT® APPLIANCE**

Summit Model Number _____ Serial _____
 Customer's Name _____ Date of Delivery _____
 Address _____ Apt. No. _____
 City _____ State _____ Zip _____
 Dealer's Name _____ City _____ State _____
 Is this unit for: Private Home Apartment Office Other
 Reason for selecting this unit: Dealer Recommendation Features Size Price
 Other _____

MESURES DE SECURITE

Lire l'ensemble des instructions avant d'utiliser l'appareil. Lors de l'utilisation de cet appareil, prendre toutes les mesures de sécurité de base, y compris les suivantes:

- 1) N'utiliser cet appareil que pour l'usage pour lequel il est prévu, tel qu'il est indiqué dans le guide d'utilisation et d'entretien.
- 2) Ce réfrigérateur doit être correctement installé conformément aux instructions d'installation avant d'être utilisé. Consulter les instructions de mise à la terre du chapitre Installation.
- 3) Ne jamais tirer sur le cordon d'alimentation pour débrancher le réfrigérateur. Toujours saisir fermement la fiche et la retirer complètement de la prise.
- 4) Réparer ou remplacer immédiatement tout cordon électrique effiloché ou endommagé d'une quelconque manière. Ne pas utiliser un cordon fissuré, abrasé ou dont la prise ou le connecteur est endommagé.
- 5) Débrancher le réfrigérateur avant de le nettoyer ou d'effectuer des réparations. **Remarque:** Si ce produit doit faire l'objet d'une maintenance pour quelque raison que ce soit, il est vivement recommandé de confier cette tâche à un technicien agréé.
- 6) Ne pas utiliser d'appareils électriques ou d'objets pointus pour dégivrer le réfrigérateur.
- 7) Si vous n'avez plus l'usage de votre ancien réfrigérateur, nous vous conseillons d'en retirer les portes et laissez les étagères en place. Ceci permet d'éviter tout danger potentiel pour les enfants.
- 8) Une fois le réfrigérateur en fonctionnement, ne pas toucher les surfaces froides du compartiment de congélation, en particulier avec des mains mouillées ou humides. La peau risquerait d'adhérer à ces surfaces extrêmement froides.
- 9) Ce réfrigérateur ne doit être ni encastré, ni enclos dans un placard. Il a été conçu pour être installé tel qu'il se présente.
- 11) Ne pas faire marcher le congélateur en présence de fumées pouvant entraîner une explosion.

VEUILLEZ CONSERVER CES INSTRUCTIONS

DANGER

Les enfants pourraient se retrouver coincés dans votre réfrigérateur ou congélateur usagé avant que vous ne puissiez vous en débarrasser. Retirer les portes. Laisser les étagères en place de manière à ce que les enfants ne puissent pas grimper facilement à l'intérieur".

Nous vous remercions d'avoir choisi ce produit Summit. Ce guide d'utilisation facile d'emploi permet une utilisation optimum du réfrigérateur.

Ne pas oublier de prendre note du numéro de modèle et de série. Ils sont inscrits sur une plaquette apposée sur l'arrière du réfrigérateur.

Numéro de modèle

Numéro de série

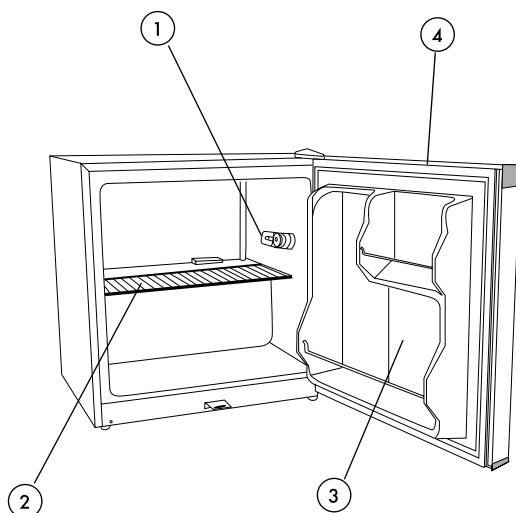
Date d'achat

Agrafer le ticket de caisse au guide. **Il devra être présenté pour tout service après-vente sous garantie.**

Sommaire

	PAGE
Mesures de Sécurité	1
Pièces et Caractéristique	4
Installation du Réfrigérateur	
Désemballage du Réfrigérateur	5
Mise à Niveau du Réfrigérateur	5
Circulation d’Air Adéquate	5
Caractéristiques Electriques	6
Alignement de la Porte	7
Placer la Charnière de Porte sur le Côté Opposé du Réfrigérateur	8
Caractéristiques du réfrigérateur et utilisation	
Caractéristiques Générales	10
Clayettes Intérieures de Rangement	10
Distributeur de Boîtes Dispense-A-Can™	11
Dégivrage	12
Informations sur le Rangement des Aliments	13
Bruits de Fonctionnement lors d'une Exploitation Normale	14
Entretien et Nettoyage du Réfrigérateur	
Nettoyage et Maintenance.....	15
Coupures de Courant	16
Entretien lors des Vacances ou d'un Déménagement	16
Guide de Dépannage	17
Garantie	19

Pièces et Caractéristiques



1. Commande de Température réglable
2. Etagère Dans le Refrigerateur
3. Clayelles de Porte
4. Verrou et Clé

Installation du Réfrigérateur

Désemballage du Réfrigérateur

1. Retirer l'ensemble du matériel d'emballage. Ceci comprend la base en mousse ainsi que l'ensemble du matériel adhésif qui maintient les accessoires du réfrigérateur à l'intérieur tout comme à l'extérieur.
2. Inspecter et enlever tout restant d'emballage, de scotch ou de matériaux imprimés avant de brancher le réfrigérateur.

Réglage du Réfrigérateur

Mise à Niveau du Réfrigérateur

- Le réfrigérateur possède deux pieds de mise à niveau qui sont situés sur les coins avant du réfrigérateur. Après avoir convenablement installé le réfrigérateur à la place qu'il occupera, procéder à la mise à niveau.
- Pour régler les pieds de mise à niveau, les tourner dans le sens des aiguilles d'une montre afin de surélever le réfrigérateur et dans le sens inverse des aiguilles d'une montre pour l'abaisser. La porte du réfrigérateur se ferme plus facilement lorsque les pieds de mise à niveau sont surélevés.

Circulation d'Air Adéquate

- Pour être sûr que le réfrigérateur fonctionne à son maximum d'efficacité, l'installer dans un environnement favorable à une bonne circulation d'air et possédant des connexions de plomberie et d'électricité saines.
- Les indications suivantes concernent l'espace recommandé autour du réfrigérateur:
 - Latéralement.....19mm (3/4")
 - Partie supérieure.....50mm (2")
 - Arrière.....50 mm (2")

Caractéristiques Electriques

- Pour l'alimentation du réfrigérateur, veiller à utiliser une prise de courant convenable (prise de 115 volts, 15 amp) raccordée à la terre
- Eviter d'utiliser des adaptateurs à trois fiches ou de sectionner la troisième fiche reliée à la terre dans le but d'utiliser un branchement à deux fiches. Cette pratique pourrait s'avérer dangereuse dans la mesure où le réfrigérateur n'est pas relié convenablement à la terre, et risquerait de causer des risques d'électrocution.

Utilisation de Rallonges

- Éviter d'utiliser une rallonge électrique car, dans certains cas, cela peut entraîner des risques pour la santé. S'il est nécessaire d'utiliser une rallonge, utiliser uniquement une rallonge possédant une fiche mâle à deux broches plus terre à une extrémité et une prise femelle de même type à l'autre extrémité. La capacité électrique de la rallonge doit être égale ou supérieure à la capacité de l'appareil.

Limitations relatives à l'Installation

- Ne pas installer le réfrigérateur dans un endroit qui n'est pas convenablement isolé ou chauffé ; comme par exemple un garage, etc. Le réfrigérateur n'est pas conçu pour fonctionner à des températures inférieures à 12°C.
- Choisir un endroit convenable et placer le réfrigérateur sur une surface solide et plane, loin de sources de chaleur telles que: les radiateurs, les éléments chauffants à plinthes, les cuisinières, etc. Toute irrégularité au sol doit être corrigée à l'aide des pieds de mise à niveau situés sur les coins avant de la partie inférieure du réfrigérateur.

Alignement de la porte (voir fig. # 1)

1. Retirer la vis de protection de la charnière.
2. Retirer la protection de la charnière du haut.
3. Desserrer les vis de la charnière du haut à l'aide d'un tournevis cruciforme.
4. Régler la porte ou placer une cale puis serrer les vis.
5. Remettre la couverture de la charnière du haut.

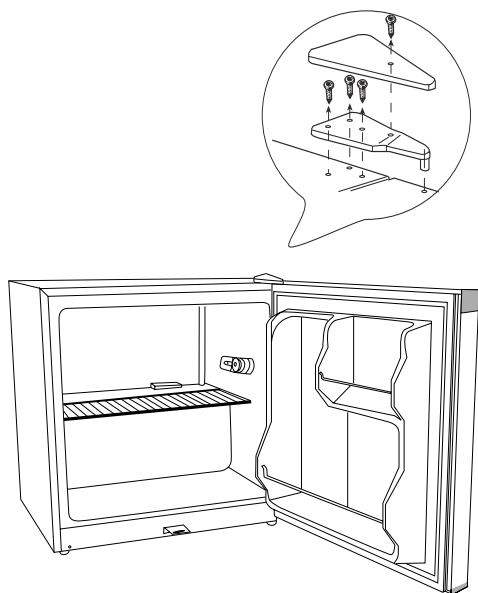


fig. # 1

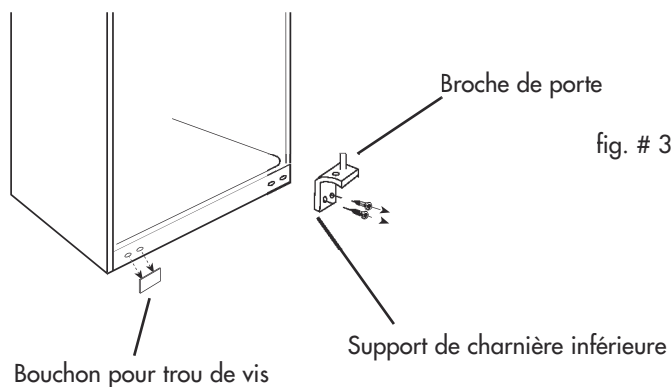
Placer la Charnière de Porte sur le Côté Opposé du Réfrigérateur

1. Retirez la vis du cache de protection de la charnière supérieure puis retirez le cache. (voir fig. # 1)
2. À l'aide d'un tournevis cruciforme, desserrez puis retirez les vis retenant la charnière supérieure. (voir fig. # 1)
3. Retirez la charnière supérieure et soulevez doucement la porte.
4. Retirez le bouchon du trou de vis du côté opposé et introduisez le bouchon dans les ouvertures des vis venant d'être retirées. (voir fig. # 2)
5. Retirez la broche du support de la charnière inférieure de la porte en tournant dans le sens contraire à celui des aiguilles d'une montre. Placez la broche dans le trou de l'autre côté et serrez. (voir fig. # 3)
6. Desserrez les vis retenant le support de la charnière inférieure et retirez la charnière. (voir fig. # 3)
7. Alignez les trous du support de la charnière inférieure sur les trous correspondant de l'autre côté. Introduisez les vis et serrez-les. (voir fig. # 3)
8. Alignez le trou inférieur du côté gauche de la porte sur la broche de la charnière inférieure et glissez-la en place.



fig. # 2

9. Alignez la broche de la charnière supérieure avec le trou supérieur du côté gauche de la porte et poussez-la afin de l'installer. Replacez les vis du support supérieur de la charnière mais sans serrez complètement.
10. Vérifiez que la porte ferme facilement et ferme le réfrigérateur de façon hermétique. Repositionnez la porte si nécessaire. Une fois satisfait de l'alignement de la porte, serrez complètement les vis de la charnière supérieure.
11. Replacez le cache de protection de la charnière, introduisez la vis et serrez complètement. (voir fig. # 2)
12. Si la porte ne se ferme pas correctement, reportez-vous à la section "Alignement de la porte".



Caractéristiques du Réfrigérateur et Utilisation

Caractéristiques Générales

Cadran de température réglable:

Le réfrigérateur demeurera automatiquement à la température que vous avez sélectionnée. La commande de température possède 7 positions de réglage ainsi que la position "Off" (arrêt). La position "1" est la position la moins froide, "7" est la position la plus froide. Réglez la commande sur "OFF"

afin d'arrêter le processus de refroidissement pour le réfrigérateur et le congélateur. Tout d'abord, réglez la commande sur "4" et patientez 24 heures avant de régler la commande sur la température que vous désirez.

(Remarque: Si le réfrigérateur a été placé à l'horizontale pendant une période de temps quelconque, attendre 24 heures avant de le brancher).

Clayettes Intérieures

Pour retirer ou replacer les clayettes amovibles: (voir fig. # 4)

1. Penchez légèrement la clayette vers le haut et glissez-la vers l'avant jusqu'à ce que la clayette ait été complètement retirée.
2. Pour replacer la clayette, glissez-la doucement.

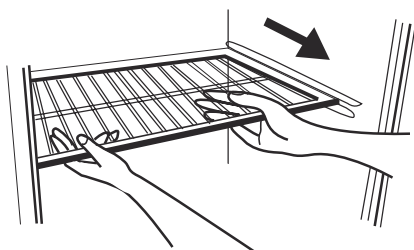
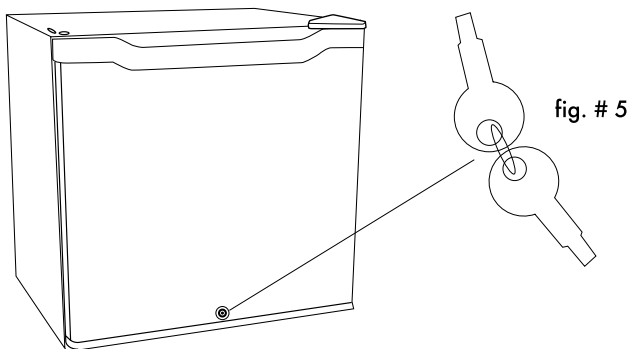


fig. # 4

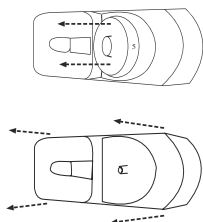
La Serrure et Clé

- Votre réfrigérateur peut être équipé d'un verrou avec clé (situé en bas, au centre de la porte) pour une sécurité accrue si vous le souhaitez. Il vous suffit de fermer la porte du réfrigérateur, introduisez la clé et tournez. Pour ouvrir, introduisez la clé et tournez dans le sens inverse.



Éclairage

- Pour remplacer une ampoule grillée, déposer le bouton de réglage de la température en tirant dessus (voir le schéma N°8a). Tirer doucement la protection de plastique vers la gauche puis la déposer. Dévisser l'ampoule puis la remplacer par une ampoule neuve (utiliser uniquement des ampoules de 15 watts maximum). Pour remettre en place la protection, insérer les rainures noires dans le boîtier (voir le schéma N°8b). Aligner la partie frontale et remettre le bouton de réglage en place en appuyant dessus.



Informations sur le Rangement des Aliments

Aliments frais

- Lorsque vous placez des aliments frais n'ayant pas été pré-emballés, assurez-vous que ces derniers sont correctement emballés ou placés dans des contenants hermétiques à l'épreuve de l'humidité et de l'air. Vous parviendrez ainsi à conserver vos aliments plus longtemps sans altération de goût ni d'odeur.
- Essuyez les contenants avant de les placer au réfrigérateur afin d'éviter de les renverser.
- Les oeufs doivent être rangés debout dans leurs carton d'origine afin d'assurer leur pérennité.
- Les fruits doivent être lavés, séchés puis placés dans des sacs en plastique avant de les ranger au réfrigérateur.
- Les légumes non pelés doivent être placés dans des sacs en plastique ou tout autre contenant.
- Les légumes à feuilles doivent être lavés et égouttés avant d'être placés dans des sacs en plastique ou tout autre contenant.
- Laissez les aliments chauds refroidir avant de les placer au réfrigérateur, vous ferez ainsi des économies d'énergie.
- Le poisson et les fruits de mer doivent être consommés le jour même de leur achat.
- Lorsque vous conservez de la viande dans le compartiment destinés aux aliments frais, veillez à conserver cette dernière dans son emballage d'origine ou emballez-la à nouveau si nécessaire. Suivez les conseils suivants:

• Poulet	1 à 2 jours
• Boeuf haché	1 à 2 jours
• Charcuterie	3 à 5 jours
• Steaks/rôtis	3 à 5 jours
• Viandes fumées/salaisonées	7 à 10 jours
• Toutes autres viandes	1 à 2 jours

Bruits de Fonctionnement lors d'une Exploitation Normale

- Les éléments de refroidissement tubulaires (serpentins refroidisseurs) font des bruits d'ébullition, des gargouillements et provoquent de légères vibrations.
- La commande du thermostat émettra un déclic lorsque qu'elle s'allume et s'éteint.

Entretien e Nettoyage Adéquats du Réfrigérateur Nettoyage et Entretien

Nettoyage et Maintenance

Attention: Pour éviter les risques d'électrocution; toujours débrancher le réfrigérateur avant de le nettoyer. Le non respect de cette mesure peut entraîner des blessures graves ou mortelles.

Précautions: Avant d'avoir recours à des produits d'entretien, toujours consulter et suivre les instructions du fabricant et recommandations afin d'éviter toute blessure éventuelle et risque de dégât de matériel.

Généralités:

- Préparer une solution de nettoyage comportant 3 à 4 cuillerées à soupe de bicarbonate de soda mélangé à de l'eau chaude. A l'aide d'une éponge ou un tissu doux humectés de solution de nettoyage; essuyer le réfrigérateur.
- Rincer à l'eau chaude et sécher à l'aide d'un tissu doux.
- Ne pas utiliser de détergents chimiques, abrasifs, ou contenant de l'ammoniaque ou du chlore, ni de solvants ou de tampons à recruser en métal. CERTAINS de ces produits chimiques peuvent dissoudre, endommager et/ou décolorer le réfrigérateur.

Joint de porte:

- Nettoyer les joints de porte tous les trois mois en suivant les instructions générales fournies. Les joints doivent rester propres et flexibles afin d'assurer une bonne étanchéité.
- Une fine couche de gelée de pétrole appliquée sur le côté des joints comportant les charnières permet de préserver la flexibilité de ces derniers et d'assurer une bonne étanchéité.

Coupures de Courant

- Des pannes d'alimentation occasionnelles peuvent survenir à cause d'une tempête ou de causes autres. Retirer le cordon d'alimentation de la prise CA pendant toute la durée de la coupure d'alimentation. Lorsque le courant électrique est rétabli, rebrancher le cordon dans la prise CA. Si la coupure d'alimentation se prolonge, vérifier et jeter les aliments avariés ou décongelés se trouvant dans le congélateur et le réfrigérateur. Nettoyer le réfrigérateur avant de le réutiliser.

Vacances et Déménagement

- Pendant les périodes de vacances ou d'absence prolongée, vider le réfrigérateur et le congélateur, placer le CADRAN de température sur la position 'OFF' (arrêt) et nettoyer le réfrigérateur ainsi que les joints de porte en suivant les procédures du chapitre intitulé 'Nettoyage général'. Faire en sorte que la porte reste ouverte de manière à ce que l'air puisse circuler à l'intérieur. Toujours déplacer le réfrigérateur en position verticale. Ne pas déplacer l'appareil en position horizontale. Ceci pourrait endommager le système d'étanchéité.

Dépannage

Le Réfrigérateur ne fonctionne pas:

- Vérifier que le programmeur du thermostat ne se trouve pas sur la position 'OFF' (arrêt).
- Veiller à ce que le réfrigérateur soit bien branché.
- Veiller à ce que la prise de courant CA fonctionne bien en vérifiant le disjoncteur.
- Patienter 30 à 40 minutes pour voir si le réfrigérateur se met en route. Il est possible qu'il se trouve sur 'defrost' (dégivrage) et qu'il lui faille terminer ce cycle avant que le Compresseur puisse se mettre en marche.

La température des aliments semble être trop élevée:

- La porte est ouverte trop fréquemment.
- Patienter le temps nécessaire pour que les aliments chauds récemment mis au frais refroidissent ou congèlent.
- Vérifier l'étanchéité des joints.
- Nettoyer les condenseurs
 - Régler le programmeur de température sur froid.

La température des aliments est trop basse:

- Si le programmeur de température est placé sur une position trop froide, le régler sur une position plus chaude et patienter plusieurs heures, jusqu'à ce que la température se soit ajustée.

Le réfrigérateur se met en marche trop fréquemment:

- Il peut s'agir de l'activité normale pour maintenir une température constante lorsque la température extérieure ou le taux d'humidité dans l'air sont élevés.
- Les portes ont été ouvertes trop fréquemment ou pendant une période de temps prolongée.
- Nettoyer les condenseurs.
- Vérifier l'étanchéité des joints.
- Veiller à ce que les portes soient bien fermées.

Accumulation d'humidité à l'intérieur ou à l'extérieur du réfrigérateur:

- Ceci est normal pendant les périodes de grande chaleur humide.
- Ouvertures de la porte prolongée ou trop fréquente.
- Vérifier l'étanchéité des joints.

L'intérieur du réfrigérateur dégage une odeur:

- Nettoyer l'intérieur du réfrigérateur.
- Les aliments ne sont pas convenablement enveloppés ou les emballages dégagent une odeur.

La lumière du réfrigérateur ne fonctionne pas:

- Vérifier l'alimentation.
- Resserrer l'ampoule dans la douille.
- Remplacer l'ampoule grillée.

La porte du réfrigérateur/congélateur ne ferme pas correctement:

- Mettre le réfrigérateur à niveau.
- Réaligner la porte du réfrigérateur/congélateur.
- Vérifier qu'il n'y ait pas d'obstruction comme par exemple des containers ou les couvercles des bacs, les étagères, paniers, etc.

FELIX STORCH, INC.

770 GARRISON AVENUE BRONX, NY 10474

SUMMIT LIMITED WARRANTY

Les appareils Summit sont garantis d'être exempts des défauts dans les matériaux et l'exécution pour une période d'un an de la date d'achat originale. N'importe quelles parties défectueuses seront remplacées par Summit gratuits. Les parties en plastique, les recouvrements et l'extérieur des placards sont garantis d'être fabriqués aux normes commercialement acceptables et sans défauts au moment de la livraison.

Cette garantie ne s'applique pas aux:

1. Installation impropre
2. A l'abus, la négligence et les dommages du client
3. Un courant électrique incorrect
4. Des produits dont le numéro de série a été changé ou enlevé
5. Les produits achetés ou utilisés hors des États Unis ou la zone de la Colombie
6. Utilisateurs commerciaux ou industriels
7. Des dommages au produit dus aux accidents, des changements, l'échec de suivre les instructions, une incendie, une inondation, tremblement de terre, guerre, des perturbations civiles ou des forces majeures.

La carte de registration d'usine Merci d'avoir acheté un produit de qualité Summit.

SUMMIT APPLIANCE DIV.
FELIX STORCH, INC.
770 GARRISON AVENUE
BRONX, NY 10474

FACTORY REGISTRATION CARD**THANK YOU FOR PURCHASING A QUALITY SUMMIT® APPLIANCE**

Numero du model Summit _____ Serie _____

Le nom du client _____ La date de livraison _____

Adresse _____ Le numero de l'appartement _____

Ville _____ Etats _____ Zip _____

Le nom du negociant _____ Ville _____ Etats _____

Cet appareil est pour : Une maison privée Appartement Office Autre

Raisons pour avoir choisi cet appareil: Recommande par le negociant

Caracteristiques Taille Prix Autre _____

INSTRUCCIONES PRECAUTORIAS

Lea todas las instrucciones antes de utilizar este aparato. Cuando utilice este aparato, siempre ejerza las precauciones de seguridad básicas, incluyendo las siguientes:

- 1) Utilice este aparato exclusivamente para su uso especificado, según se describe en esta guía de uso y cuidados.
- 2) Este refrigerador debe ser instalado adecuadamente siguiendo las instrucciones de instalación antes de utilizarse. Observe las instrucciones para conectarlo a tierra en la sección de instalación.
- 3) Nunca desconecte su refrigerador tirando del cordón eléctrico. Sujete siempre la clavija firmemente y retírela del contacto evitando torcerla.
- 4) Repare o reemplace inmediatamente cualquier cordón eléctrico que muestre raspaduras o daños. No utilice ningún cordón que muestre señales de abrasión o grietas en su extensión, clavija o terminal de conexión.
- 5) Desconecte su congelador antes de limpiarlo o antes de hacer cualquier reparación. Nota: Si por alguna razón este producto necesita ser reparado, recomendamos fuertemente que la reparación se lleve a cabo por un técnico calificado.
- 6) No emplee ningún aparato eléctrico o instrumento punzocortante para descongelar su refrigerador.
- 7) Si su antiguo refrigerador no está siendo utilizado, recomendamos quitarle las puertas. Esto reducirá los riesgos de accidentes infantiles.
- 8) Una vez que su refrigerador se encuentre operando, no toque las superficies frías en el compartimento del congelador, especialmente si sus manos se encuentran húmedas o mojadas. Su piel puede adherirse a estas superficies extremadamente frías.

9) No congele alimentos que hayan sido previamente descongelados en su totalidad. El Departamento de Agricultura de los Estados Unidos, en su Boletín de Casa y Jardín No. 69 indica que: "...Usted puede volver a congelar, sin correr ningún riesgo, aquellos alimentos congelados que hayan sido descongelados y que aún contengan cristales de hielo o que aún se encuentren fríos con una temperatura por debajo de los 4,5°C (40°F)".

"...Carnes molidas, aves, o pescados descongelados que despidan olor extraño o muestren decoloración no deben volver a congelarse y no deben consumirse. El helado descongelado debe desecharse. Si el olor o color de cierto alimento es deficiente o cuestionable, deséchelo. Tal alimento podría resultar peligroso si lo ingiriese."

"...Incluso el descongelar parcialmente y volver a congelar los alimentos disminuye su calidad de consumo, especialmente si se trata de frutas, verduras y alimentos preparados. La calidad de consumo de las carnes rojas es menormente afectada en comparación a la de muchos otros alimentos. Utilice los alimentos que hayan vuelto a congelarse lo más pronto posible para evitar que sufran mayor deterioro en su calidad de consumo."

10) Este refrigerador no debe de ser empotrado o colocado dentro de un gabinete de cocina. Ha sido diseñado exclusivamente para ser instalado por separado.

11) No opere su congelador en la presencia de gases explosivos.

Por favor
GUARDE ESTAS INSTRUCCIONES
para referencia futura.

PELIGRO

Existe el riesgo de que los niños puedan quedar atrapados dentro. Antes de tirar su refrigerador o congelador, quite las puertas. Deje los anaqueles en su lugar para que los niños no puedan entrar fácilmente en el interior."

Gracias por utilizar nuestro producto Summit. Este sencillo manual le orientará con respecto al mejor uso que puede darle a su refrigerador.

Recuerde tomar nota del modelo y número de serie. Ambos se encuentran impresos en una etiqueta en la parte posterior del refrigerador.

Número de Modelo

Número de Serie

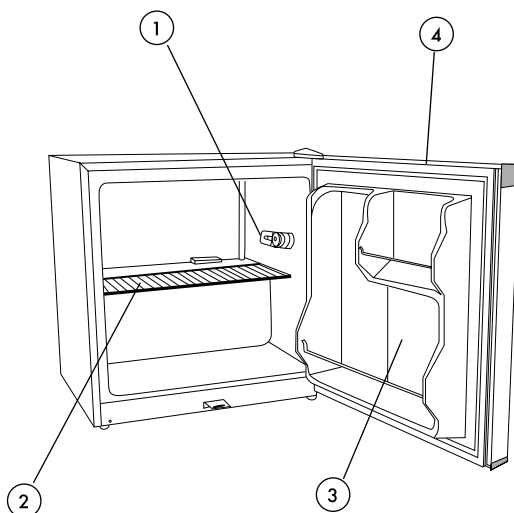
Fecha de Compra

Agrafter le ticket de caisse au guide. **Il devra être présenté pour tout service après-vente sous garantie.**

Índice

	PAGINA
Instrucciones Precautorias	1
Piezas y Características	5
Instalación de sur Refrigerador	6
Desempaque del Refrigerador	6
Nivelación del Refrigerador	6
Circulación Apropiaada del Aire	6
Requisitos Eléctricos	7
Alineación de la Puerta	8
Colocación de la Puerta en el Lado Opuesto	9
Uso y Funciones	11
Funciones Generales	11
Entrepaños Interiores del Refrigerador	11
Dispense A-Can™- Servidor de Latas	12
Uso del Cierre.....	12
Remoción de la Escarcha	13
Información sobre el Almacenamiento de Alimentos	14
Ruido Normal de Operación	15
Limpieza y Cuidado Apropriados del Congelador	16
Limpieza y Mantenimiento	16
Interrupciones de la Corriente Eléctrica	17
Vacaciones y Mudanza	17
Verificación de Problemas	18
Información de Garantía	20

Piezas y Características



1. Control de Temperatura Ajustable
2. Anaquele de Ancho Completo
3. Repisas en la Puerta
4. Cierro y Llave

Instalación de Su Refrigerador

Desempaque del Refrigerador

1. Retire todo el material de embalaje. Esto incluye la base de espuma y toda la cinta adhesiva que sostiene los accesorios del refrigerador en el interior y exterior.
2. Inspeccione y retire cualesquier restos del embalaje, la cinta adhesiva o los materiales impresos antes de encender el refrigerador.

Nivelación del Refrigerador

- Su refrigerador tiene dos patas niveladoras que están ubicadas en las esquinas frontales de su refrigerador. Después de haber colocado su refrigerador en la posición definitiva, puede nivelar su refrigerador.
- Puede ajustar las patas niveladoras girándolas a la derecha para elevar el refrigerador y girándolas a la izquierda para bajarlo. La puerta del refrigerador cerrará con más facilidad cuando las patas niveladoras son elevadas.

Circulación Apropiadado del Aire

- Para asegurar que su refrigerador funcione con la eficiencia máxima para la que fue diseñado, éste debe ser instalado en un lugar donde haya una circulación de aire adecuada, conexiones eléctricas y de tubería.
- Estas son las distancias recomendadas que deben dejarse alrededor del refrigerador:

Lados.....19 mm

Parte Superior.....50 mm

Parte Posterior.....50 mm

Requisitos Eléctricos

- Asegúrese de que haya un tomacorriente apropiado (115 V, 15 Amp.) con una conexión a tierra apropiada para hacer funcionar el refrigerador.
- Evite el uso de adaptadores de tres patas o el cortar la tercer pata de conexión a tierra para poder conectar en un tomacorriente bifásico. Esto sería una práctica muy peligrosa ya que no proveería al refrigerador con una conexión a tierra adecuada y podría resultar un riesgo de descarga eléctrica.

Uso de Alargues

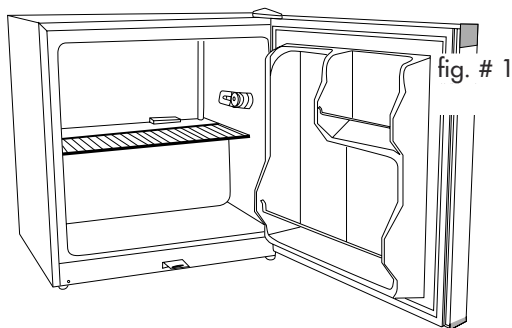
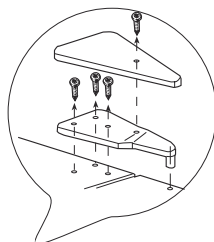
- Evite el uso de alargues para mayor seguridad. Si fuese necesario utilice solamente un alargue de tres cables que posea un enchufe de tres patas.

Limitaciones de Instalación

- No instale su refrigerador en ningún lugar que no tenga el aislamiento o la calefacción apropiada, por ejemplo una cochera, etc. Su refrigerador no fue diseñado para funcionar en temperaturas abajo de los 12° Centígrados (55°F).
- Seleccione un lugar adecuado para el refrigerador sobre una superficie sólida y nivelada alejado de los rayos directos del sol o de una fuente de calor como la de los radiadores, rejillas de calefacción, estufas, etc. Cualquier desnivelación del piso debe ser corregido con las patas niveladoras ubicadas en las esquinas inferiores frontales del refrigerador.

Alineación de la Puerta (Vea Fig. # 1)

1. Quite el tornillo de la cubierta de la bisagra.
2. Quite la cubierta de la bisagra superior.
3. Afloje los tornillos de la bisagra superior usando un destornillador de punta de cruz.
4. Ajuste la puerta o coloque un espaciador entremedio y luego vuelva a apretar los tornillos.
5. Vuelva a colocar la cubierta de la bisagra superior.



Colocación del Gozne de la Puerta en el Lado Opuesto

1. Remueva el tornillo de la cubierta del gozne superior y luego remueva la cubierta del gozne superior. (Vea fig. # 1)
2. Con un destornillador de cabeza Phillips, afloje y remueva los tornillos que sujetan en su lugar el gozne superior. (Vea fig. # 1)
3. Remueva ahora el gozne superior y cuidadosamente levante y saque la puerta.
4. Remueva el tapón de agujero de tornillo del lado opuesto e inserte el tapón en los agujeros de los tornillos que acaba de sacar. (Vea fig. # 2)
5. Remueva el perno de la puerta del soporte del gozne inferior, girándolo en la dirección opuesta a las manecillas del reloj. Coloque luego el perno en el agujero opuesto y apriételo. (Vea fig. # 3)
6. Remueva los tornillos que sostienen el soporte del gozne inferior y quite el soporte. (Vea fig. # 3)
7. Alinee los agujeros del soporte del gozne inferior con los agujeros correspondientes en el costado opuesto del gabinete, para luego insertar y apretar sus tornillos. (Vea fig. # 3)
8. Alinee el agujero inferior del lado izquierdo de la puerta con el perno del gozne inferior y colóquelo en su lugar.

tapones para los agujeros de los tornillos

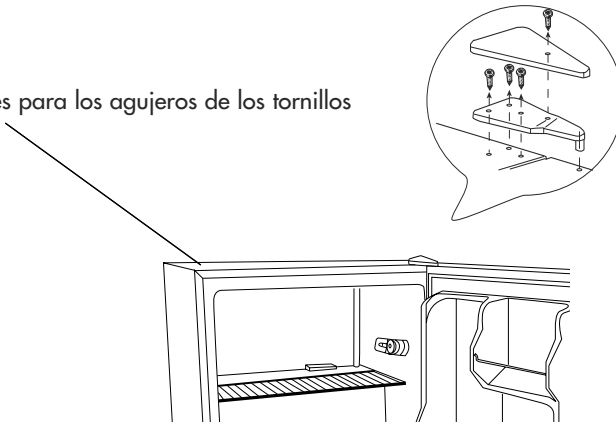
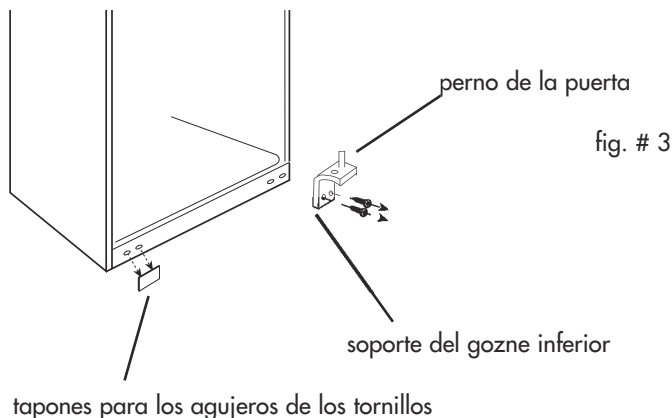


fig. # 2

9. Alinee el perno del gozne superior con el agujero de arriba en el lado izquierdo de la puerta y presiónelo hasta que quede en su lugar. Vuelva a colocar los tornillos del soporte del gozne superior pero no los apriete completamente, todavía.
10. Verifique que la puerta cierra fácilmente y que sella herméticamente el refrigerador. Ajuste la puerta según sea necesario. Una vez que la puerta quede alineada a su satisfacción, apriete en forma definitiva los tornillos del gozne superior de la puerta.
11. Vuelva a colocar la cubierta del gozne, inserte su tornillo correspondiente y apriételo completamente. (Vea Fig. # 2)
12. Si la puerta no cierra apropiadamente, consulte la sección titulada "Alineamiento de la Puerta".



Uso y Funciones del Refrigerador

Funciones Generales

Dial de Temperatura

Ajustable

Su refrigerador mantendrá automáticamente el nivel de temperatura que seleccione. El dial de control de temperatura tiene 7 ajustes además del ajuste "off" (apagado). El 1 es el más tibio. El 7 es el más frío. El girar el dial hasta "OFF" (apagado), detiene el enfriamiento en ambas secciones del refrigerador y congelador. Primero, ajuste el dial a 4 y permita que pasen 24 horas antes de ajustar la temperatura a sus necesidades.

(Nota: Si el refrigerador ha sido colocado en una posición horizontal o inclinada durante algún periodo de tiempo, espere 24 horas antes de enchufar la unidad.)

Entrepaños Interiores del Refrigerador

Quitar o substituir un de ancho total resbala -hacia fuera el estante: (Vea fig. # 4)

1. Levante ligeramente el entrepaño y deslícelo hacia el frente hasta sacarlo completamente.
2. Para volver a colocar el entrepaño, seleccione la ubicación deseada y deslice cuidadosamente el entrepaño hasta que quede enganchado.

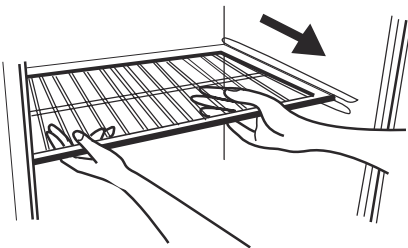
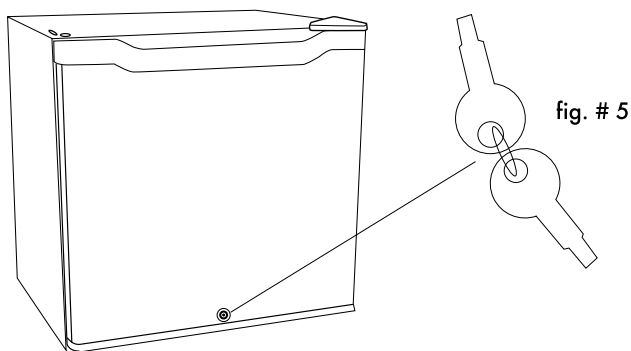


fig. # 4

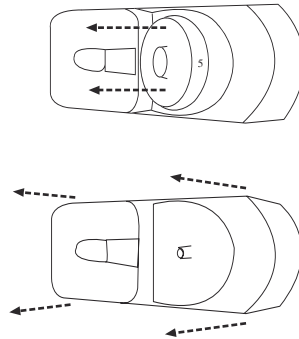
Cerradura y Llave

- Para mayor seguridad, el refrigerador puede venir equipado con un cierre con llave que está ubicado en el centro del borde inferior de la puerta, si usted desea usarlo. Simplemente cierre la puerta del refrigerador, inserte la llave y gírela. Para abrir el refrigerador inserte la llave y gírela en la dirección opuesta.



Luz

- Para cambiar una bombita de luz quemada retire la perilla de control de temperatura tirando de la misma hacia fuera. (ver figura 8a). Cuidadosamente empuje del plástico cobertor de la luz hacia la izquierda y retire. Desenrosque la bombita de luz quemada y reemplace con una nueva (use de 15 watts o menos). Reubicar el cobertor (ver fig. 8b). Alinee el frente, coloque y presione la perilla de control en su lugar.



Información sobre el Almacenamiento de Alimentos

Alimentos Frescos

- Cuando almacene alimentos frescos que no estén preempacados, asegúrese de envolver o almacenar los alimentos en un material hermético y a prueba de humedad a menos que se indique de otra manera. Esto asegurará la vida útil de los entrepaños y prevendrá la contaminación de olores y sabores.
- Limpie los contenedores antes de almacenarlos para evitar derrames innecesarios.
- Los huevos deben ser almacenados en su caja original para aumentar la vida útil del entrepaño.
- Las frutas deben ser lavadas y secadas y luego almacenadas en el cajón para frutas y verduras en el ajuste de baja humedad para mantener su frescura. Si no tiene cajones con control de humedad, coloque las frutas en bolsas plásticas selladas antes de almacenarlas en el cajón.
- Los vegetales con piel deben ser almacenadas en bolsas o contenedores de plástico y luego ser almacenadas en el cajón para frutas y verduras con un ajuste de baja humedad.
- Los vegetales frondosos deben ser lavados y escurridos y luego almacenados en bolsas o contenedores de plástico en el cajón para frutas y verduras con un ajuste de alta humedad.
- Debe esperar a que los alimentos calientes se enfríen antes de almacenarlos en el refrigerador. Esto prevendrá el uso innecesario de energía.
- Los mariscos frescos deben ser usados el mismo día que se compran.
- Cuando almacene carnes en la sección de alimentos frescos, manténgala en el paquete original o vuélvala a empacar conforme sea necesario. Siga las sugerencias de abajo para un almacenamiento seguro:

• Pollo	1-2 Días
• Carne Molida de Res	1-2 Días
• Carnes Frías	3-5 Días
• Bistecs/Asados	3-5 Días
• Carnes Ahumadas/Curadas	7-10 Días
• Todas las demás	1-2 Días

Ruidos de Operación Normales que Pueda Escuchar

- Agua hirviendo, ruidos gorgoteantes o ligeras vibraciones que son el resultado del gas refrigerante circulando a través del serpentín de enfriamiento.
- La commande de thermostat cliquettera quand elle fait un cycle en marche et en arrêt

Cuidados y Limpieza Asecuada del Refrigerador

Limpieza y Mantenimiento

Advertencia: Para evitar una descarga eléctrica siempre desenchufe su refrigerador antes de limpiarlo. El ignorar esta advertencia puede causar esiones o la muerte.

Precaución: Antes de usar productos de limpieza, siempre lea y siga las instrucciones y advertencias del fabricante para evitar lesiones personales o daños al producto.

En general:

- Prepare una solución de limpieza de 3-4 cucharadas de bicarbonato de sodio mezclado con agua tibia. Use una esponja o un trapo suave, humedecidos con la solución de limpieza, para limpiar su refrigerador.
- Enjuague con agua limpia tibia y seque con un trapo suave.
- No use químicos fuertes, abrasivos, amoníaco, cloro, detergentes concentrados, disolventes o estropajos metálicos. ALGUNOS de estos químicos pueden disolver, dañar y/o decolorar su refrigerador.

- Empaques de la puerta:**
- Limpie los empaques de la puerta cada tres meses de acuerdo a las instrucciones generales. Los empaques deben mantenerse limpios y flexibles para asegurar un sellado apropiado.
 - El aplicar un poco de vaselina en el lado articulado de los empaques mantendrá el empaque flexible y asegurará un sellado apropiado.

Interrupciones de Energía

- Pueden ocurrir ocasionalmente interrupciones de energía debido a tormentas eléctricas u otras causas. Desenchufe el cable eléctrico del tomacorriente de corriente alterna cuando ocurra una interrupción en el sistema eléctrico. Cuando la electricidad haya regresado, vuelva a conectar el cable eléctrico a un tomacorriente de corriente alterna. Si ocurre una interrupción en el sistema eléctrico durante un periodo prolongado, inspeccione y deseche los alimentos descongelados o echados a perder en el refrigerador o congelador. Limpie el refrigerador antes de volver a usarlo.

Vacaciones y Mudanza

- Durante ausencias largas o vacaciones, vacíe la comida del refrigerador y congelador, coloque el DIAL de temperatura a la posición de "OFF" (apagado) y limpie el refrigerador y los empaques de la puerta de acuerdo a la sección de "Limpieza general". Mantenga las puertas abiertas para que el aire pueda circular en el interior. Al mudarse, siempre traslade el refrigerador verticalmente. No lo traslade con la unidad colocada horizontalmente. Pudiera ocurrir un posible daño el sistema sellado.

Verificación de Problemas

El Refrigerador no Funciona:

- Revise que el control del termostato no esté en la posición de "OFF" (apagado).
- Revise que el refrigerador esté conectado.
- Revise que haya corriente eléctrica en el tomacorriente de corriente alterna, revisando el interruptor de circuito.

La temperatura de los alimentos parece estar demasiado tibia:

- Apertura constante de la puerta.
- Dele tiempo a los alimentos tibios para que puedan alcanzar una temperatura fresca o de congelación.
- Revise que los empaques estén bien sellados.
- Limpie el serpentín del condensador
- Ajuste el control de temperatura al ajuste más frío.

La temperatura de los alimentos es demasiado fría:

- Si el ajuste del control de temperatura es muy frío, ajústelo a una temperatura más cálida y permita que pasen varias horas hasta que la temperatura se ajuste.

El refrigerador se enciende frecuentemente:

- Esto puede ser normal para mantener una temperatura constante durante temperaturas altas y días húmedos.
- Las puertas pudieron haberse abierto frecuentemente o durante un largo periodo de tiempo.
- Limpie el serpentín del condensador.
- Revise que el empaque esté bien sellado.
- Revise que las puertas estén completamente cerradas.

Acumulación de humedad en el interior o exterior del refrigerador:

- Esto es normal durante periodos de alta humedad.
- Apertura constante o prolongada de la puerta.
- Revise que los empaques de la puerta estén bien sellados.

El refrigerador despidе un olor:

- Necesita limpiar el interior.
- Los alimentos envueltos o sellados inadecuadamente están despidiendo los olores.

La luz del refrigerador no funciona:

- Revise el suministro eléctrico.
- Apriete el foco en el zócalo.
- Reemplace el foco fundido.

FELIX STORCH, INC.

770 GARRISON AVENUE BRONX, NY 10474

SUMMIT GARANTIA LIMITADA

Summit Appliances garantiza este producto en caso de partes defectuosas o ensamblaje por un periodo de un año a partir de la fecha de compra o envío. Toda parte defectuosa será reemplazada por Summit sin cargo alguno para Usted. Partes plásticas y gabinetes externos están fabricados bajo los estándares comerciales aceptados y están garantizados libres de todo defecto al momento de entrega.

Esta garantía no aplica para:

1. Instalación incorrecta
2. Maltrato o daño por parte del cliente
3. Uso de voltaje incorrecto al de las especificaciones
4. Productos con el serial alterado o removido
5. Productos vendidos fuera del territorio de USA
6. Uso Comercial o Industrial
7. Daños provocados al producto por accidentes, fuego, terremoto, inundaciones, Guerra, disturbios civiles o causa mayor.

Summit no se hace responsable por daños incidentales o consuncionales.

SUMMIT APPLIANCE DIV.
FELIX STORCH, INC.
770 GARRISON AVENUE
BRONX, NY 10474

TARJETA DE REGISTRO DE FABRICA
GRACIAS POR COMPRAR UN PRODUCTO SUMMIT APPLIANCES

Summit Modelo Numero _____ Serial _____
 Nombre del cliente _____ Fecha de envío _____
 Dirección _____ Apt. No. _____
 Ciudad _____ Estado _____ Código postal _____
 Nombre del Dealer _____ Ciudad _____ Estado _____
 Esta unidad es para: Casa Apartment0 Oficina Otro
 Razón para escoger esta unidad: Recomendación del Dealer Características
 Tamaño Precio Otro

IMPORTANT

Do Not Return This Product To The Store

If you have a problem with this product,
please contact Summit at (800) 287-8799 or (718) 328-8700.
DATED PROOF OF PURCHASE REQUIRED FOR WARRANTY SERVICE

IMPORTANT

Ne retournez pas ce produit au magasin

Si vous avez un problème avec ce produit, veuillez contacter
le Summit au (800) 287-8799 or (718) 328-8700.
LA PREUVE D'ACHAT DATÉE EST EXIGÉE POUR LE SERVICE DE GARANTIE

IMPORTANTE

No regrese éste producto a la tienda

Si usted tiene problemas con éste producto, por favor contacte al
Summit al (800) 287-8799 or (718) 328-8700..
SE REQUIERE UNA PRUEBA DE COMPRA FECHADA PARA EL SERVICIO DE GARANTIA



0060507997A

115V, 60 Hz

Made in China
Fabriqué en Chine
Hecho en China



Summit Appliance Division
Felix Storch Inc.
Bronx, NY 10472

Printed in China
Imprimé en Chine
Impreso en China

Free Manuals Download Website

<http://myh66.com>

<http://usermanuals.us>

<http://www.somanuals.com>

<http://www.4manuals.cc>

<http://www.manual-lib.com>

<http://www.404manual.com>

<http://www.luxmanual.com>

<http://aubethermostatmanual.com>

Golf course search by state

<http://golfingnear.com>

Email search by domain

<http://emailbydomain.com>

Auto manuals search

<http://auto.somanuals.com>

TV manuals search

<http://tv.somanuals.com>