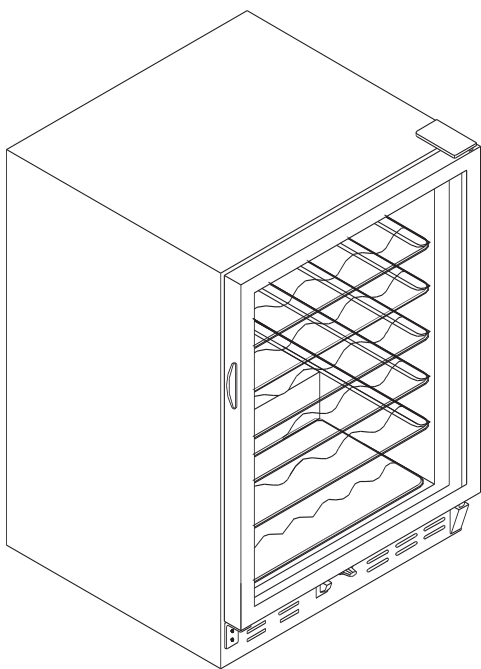


Built In / Free Standing Wine Cellar
Rafrâichisseur à Vin, pour Montage
Intégré

Enfriador de Vino, para Montaje
Incorporado



User Manual-Model #

Guide de l'Utilisateur-Modèle

Manual del Usuario-Para Modelo de

HVC24B

SAFETY PRECAUTIONS

Read all of the instructions before using this appliance. When using this appliance, always exercise basic safety precautions, including the following:

- 1) Use this appliance only for its intended purpose as described in this use and care guide.
- 2) This wine cellar must be properly installed in accordance with the installation instructions before it is used. See grounding instructions in the installation section.
- 3) Never unplug your wine cellar by pulling on the power cord. Always grasp the plug firmly and pull straight out from the outlet.
- 4) Repair or replace immediately, all electric service cords that have become frayed or otherwise damaged. Do not use a cord that shows cracks or abrasion damage along its length, the plug or the connector end.
- 5) Unplug your wine cellar before cleaning or before making any repairs.
Note: If for any reason this product requires service, we strongly recommend that a certified technician performs the service.
- 6) If your old wine cellar is not being used, we recommend that you remove the door and leave the shelves in place. This will reduce the possibility of danger to children.
- 7) Do not operate your wine cellar in the presence of explosive fumes.
- 8) Do not store foods in wine cellar as interior temperature may not be cool enough to prevent spoilage.

SAVE THESE INSTRUCTIONS FOR FUTURE REFERENCE

DANGER

Risk of child entrapment. Before you throw away your old wine cellar, take off the doors. Leave the shelves in place so that children may not easily climb inside.

Thank you for using our Haier product. This easy-to-use manual will guide you in getting the best use of your wine cellar.

Remember to record the model and serial number. They are on a label in back of the wine cooler.

Model number

Serial number

Date of purchase

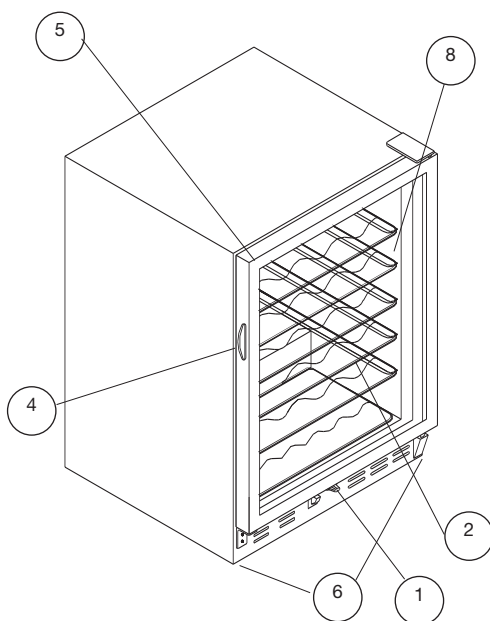
Staple your receipt to your manual. **You will need it to obtain warranty service.**

TABLE OF CONTENTS

PAGE

Safety Precautions	1
Parts And Features	4
Installing Your wine Cellar	5
Unpacking Your wine Cellar	5
Leveling Your wine Cellar	5
Electrical Requirements	5
Use of Extension Cord	5
Wine Cellar Features And Use	6
Initial Set Up	6
Shelving.....	6
Interior Light	6
Normal Operating Sounds	6
Wine Cellar Installation	7
Install Limitations	7
Dimensions	7
Choices	7
Door Reversal	8
Replace Light Bulbs	8
Proper wine Cellar Care and Cleaning	9
Cleaning and Maintenance	9
Power Interruptions.....	9
Vacation and Moving Care	9
Troubleshooting	10
Limited Warranty	11

PARTS AND FEATURES



1. adjustable temp. control	2. shelving	3. interior light (not shown)	4. door handle	5. door trim	6. leveling legs (not shown)	7. reversible door	8. tinted glass
mechanical	black vinyl coated	yes auto	plastic recessed	black plastic	yes	yes	UV-grey blue

INSTALLING YOUR WINE CELLAR

UNPACKING YOUR WINE CELLAR

1. Remove all packaging material. This includes the foam base and all adhesive tape holding the wine cellar accessories inside and outside.
2. Inspect and remove any remains of packing, tape or printed materials before powering on the wine cellar.

LEVELING YOUR WINE CELLAR

- Your wine cellar has four leveling legs which are located in the front and rear corners of your wine cellar. After properly placing your wine cellar in its final position, you can level your wine cellar.
- Leveling legs can be adjusted by turning them clockwise to raise your wine cellar or by turning them counterclockwise to lower your wine cellar. The wine cellar door will close easier when the leveling legs are extended.

ELECTRICAL REQUIREMENT

- Make sure there is a suitable power Outlet (115 volts, 15 amps outlet) with proper grounding to power the wine cellar.
- Avoid the use of three plug adapters or cutting off the third grounding in order to accommodate a two plug outlet. This is a dangerous practice since it provides no effective grounding for the wine cellar and may result in shock hazard.

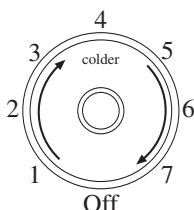
USE OF EXTENSION CORDS

- Avoid the use of an extension cord because of potential safety hazards under certain conditions. If it is necessary to use an extension cord, use only a 3-wire extension cord that has a 3-blade grounding plug and a 3-slot outlet that will accept the plug. The marked rating of the extension cord must be equal to or greater than the electrical rating of the appliance.

WINE CELLAR FEATURES AND USE

INITIAL SETUP

- Your wine cellar has a temperature control knob on the bottom of the unit. There are 7 settings: 1 being the warmest and 7 being the coolest. You can set the temperature of your wine cellar at any setting you desire. The wine cellar will maintain a temperature range between 39°F and 65° F.



SHELVING

- The shelves are black vinyl coated. They are designed for flexibility and easy cleaning. To accommodate different sized bottles the shelves slide out and can be moved up or down into any of the tracks molded into the cooler cabinet. Larger bottles or Magnums can be more easily accommodated on the bottom of the cooler. You will notice that the shelves are designed so the bottles do not line-up directly over one another. The shelves are designed to allow free air movement and provides more space.

INTERIOR LIGHT

- To complement the look of your wine collection, a soft light has been built into the wine cellar. The light switch is on the front bottom.

NORMAL OPERATING SOUNDS YOU MAY HEAR

- Boiling water, gurgling sounds or slight vibrations that are the result of the refrigerant circulating through the cooling coils.
- The thermostat control will click when it cycles on and off.

WINE CELLAR INSTALLATIONS

INSTALL LIMITATIONS

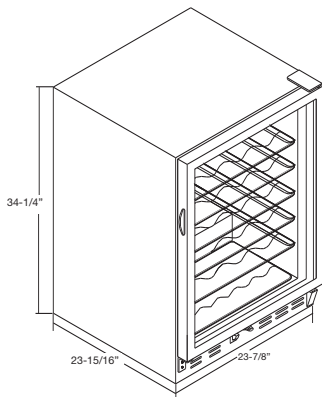
- Do not install your wine cellar in any location not properly insulated or heated e.g. garage etc. Your wine cellar was not designed to operate in temperature settings below 55° Fahrenheit.
- Select a suitable location for the wine cellar on a hard even surface away from direct sunlight or heat source e.g. radiators, baseboard heaters, cooking appliances etc. Any floor unevenness should be corrected with the leveling legs located on the front and rear bottom corners of the wine cellar.

DIMENSIONS

- Built-in wine cellars need to be ventilated from the front. This feature allows the unit to be built in an enclosed area. The bottom front grille should be clear of all obstructions. This is absolutely necessary for the air to circulate and for the unit to operate efficiently. The dimensions for installation are as follows. (W x D x H)

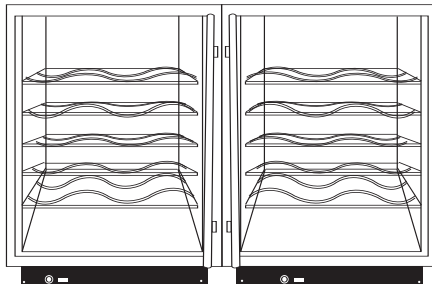
Unit Dimensions: 23-7/8" x 23-15/16" x 34-1/4"

Built-In Dimensions: 24" x 24" x 35"

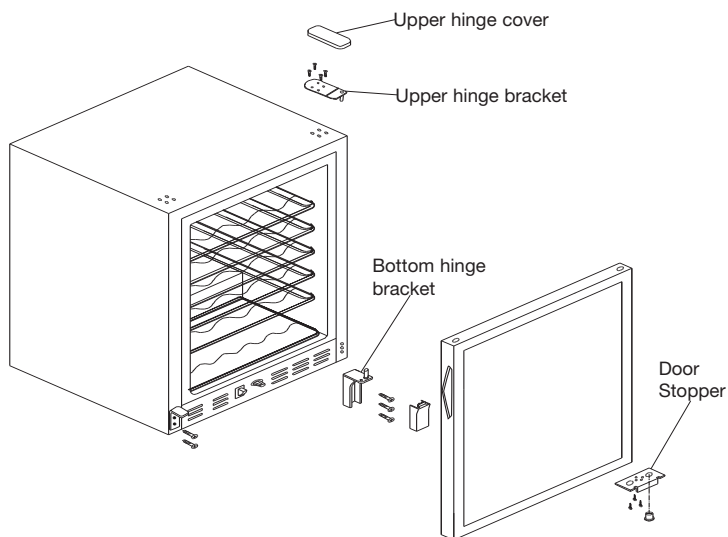


CHOICES

- As the doors of the built-in wine cellars are reversible, 2 wine cellars could be placed side by side with the doors opening from the middle. This would not only allow you more storage space but also better placement of your wine collection. The red wines could be separate from the white wines. Before installing make sure there is enough space for installation and that both the units are plugged into separate power receptacles.



DOOR REVERSAL



1. Remove the upper hinge cover and then using a Phillips screw driver remove the upper hinge bracket by removing the 4 screws on the bracket. (on the right side).
2. Lift and remove the door.
3. Remove the bottom hinge bracket by removing the 3 hexagonal nuts. Be careful not to loose the door level rings which are placed in the hinge bracket axle. (right side).
4. Remove the door support bracket from the opposite side (left side), by removing the 2 screws.
5. Remove the lower door stopper as shown in the figure and install on opposite side of door.
6. To install the bottom hinge bracket on the opposite side (left side), you will also have to remove one screw hole plug from the left side.
7. Install the door support bracket on the opposite side (right side), place the screw hole plug in the bottom hole.
8. Carefully align the bottom hinge axle hole on the door with the axle of the lower hinge bracket. Remember to have the door level rings in place before you place the door on its axle.
9. Install the upper hinge bracket (left side hinge bracket supplied as an accessory) on the left side.
10. Make sure the door is aligned and then tighten the screws.

REPLACING LIGHT BULB

1. Turn off and unplug the power cord of the wine cellar.
2. To remove the light bulb cover use a philliphead screw driver to remove the 2 screws.
3. Make sure the light bulb is cool before removing it. Replace using a 10 watts light bulb.
4. After the bulb is secure, install the light bulb cover and replace both the screws.
5. Turn unit on to its original setting after plugging in the power cord.

PROPER WINE CELLAR CARE AND CLEANING

CLEANING AND MAINTENANCE

- Warning:**
- To avoid electric shock always unplug your wine cellar before cleaing. Ignoring this warning may result in death or injury.
- Caution:**
- Before using cleaning products, always read and follow manufacturer's instructions and warnings to avoid personal injury or product damage.
- General:**
- Prepare a cleaning solution of 3-4 tablespoons of baking soda mixed with warm water. Use sponge or soft cloth, dampened with the cleaning solution, to wipe down your wine cellar.
 - Rinse with clean warm water and dry with a soft cloth.
 - Do not use harsh chemicals, abrasives, ammonia, chlorine bleach, concentrated detergents, solvents or metal scouring pads. SOME of these chemicals may dissolve, damage and/or discolor your wine cellar.
- Door Gaskets:**
- Clean door gaskets every three months according to general instructions. Gaskets must be kept clean and pliable to assure a proper seal.
 - Petroleum jelly applied lightly on the hinge side of gaskets will keep the gasket pliable and assure a good seal.

POWER INTERRUPTIONS

- Occasionally there may be power interruptions due to thunderstorms or other causes. Remove the power cord from AC outlet when a power outage occurs. When power has been restored, replug power cord to AC outlet.

VACATION AND MOVING CARE

- For long vacations or absences, unplug the wine cellar and clean the wine cellar and door gaskets according to "General cleaning" section. Prop doors open, so air can circulate inside. When moving always move the wine cellar vertically. Do not move with the unit lying down. Possible damage to the sealed system could occur.

TROUBLESHOOTING

Wine Cellar does not operate

- Check if wine cellar is plugged in.
- Check if there is power at the ac outlet, by checking the circuit breaker.

Wine appears too warm

- Frequent door openings.
- Allow time for recently added wine to reach desired temperature.
- Check gaskets for proper seal.
- Adjust temperature control to colder setting.

Wine temperature is too cold

- If temperature control setting is too cold, adjust to a warmer setting.

Wine Cellar runs too frequently

- This may be normal to maintain constant temperature during high temperature and humid days.
- Doors may have been opened frequently or for an extended period of time.
- Check gasket for proper seal.
- Check to see if doors are completely closed.

Moisture build up on interior or exterior of the Wine Cellar:

- This is normal during high humidity periods.
- Prolonged or frequent door openings.
- Check door gaskets for proper seal.

Wine Cellar door does not shut properly:

- Level the wine cellar.
- Check for blockages e.g. wine bottles, shelves.

LIMITED WARRANTY

What is covered and for how long?

This warranty covers all defects in workmanship or materials for a period of:

12 months labor

12 months parts

5 years sealed system

The warranty commences on the date the item was purchased and the original purchase receipt must be presented to the authorized service center before warranty repairs are rendered.

EXCEPTIONS: Commercial or Rental Use warranty

90 days labor (carry-in only)

90 days parts

No other warranty applies

What is covered.

1. The mechanical and electrical parts, which serve as a functional, purpose of this appliance for a period of 12 months. This includes all parts except finish, and trim.
2. The components of the sealed system e.g. hermetic compressor, condenser and evaporator from manufacturing defects for a period of 5 years from the date of purchase. Any damages to such components caused by mechanical abuse or improper handling or shipping will not be covered.

What will be done?

1. We will repair or replace, at our discretion any mechanical or electrical part which proves to be defective in normal usage during the warranty period so specified.
2. There will be no charge to the purchaser for parts and labor on any covered items during the initial 12 month period. Beyond this period only parts are covered in the remaining warranty. Labor is not provided and must be paid by the customer.
3. Contact your nearest authorized service center. For the name of the nearest service center please call 1-877-337-3639

THIS WARRANTY COVERS APPLIANCES WITHIN THE CONTINENTAL UNITED STATES, PUERTO RICO AND CANADA. IT DOES NOT COVER THE FOLLOWING:

- Damages from improper installation.
- Damages in shipping.
- Defects other than manufacturing.
- Damage from misuse, abuse, accident, alteration, lack of proper care and maintenance or incorrect current or voltage.
- Damage from other than household use.
- Damage from service by other than an authorized dealer or service center.
- Decorative trims or replaceable light bulbs.
- Transportation and shipping.
- Labor (after the initial 12 months).¹

THIS LIMITED WARRANTY IS GIVEN IN LIEU OF ALL OTHER WARRANTIES, EXPRESSED OR, INCLUDING THE WARRANTIES OF MERCHANTABILITY AND FITNESS FOR A PARTICULAR PURPOSE

The remedy provided in this warranty is exclusive and is granted in lieu of all other remedies. This warranty does not cover incidental or consequential damages, so the above limitations may not apply to you. Some States do not allow limitations on how long an implied warranty lasts, so the above limitations may not apply to you.

This warranty gives you specific legal rights, and you may have other rights, which vary, from state to state.

Haier America
New York, NY 10018

IMPORTANT

Do Not Return This Product To The Store

If you have a problem with this product, please contact the "Haier Customer Satisfaction Center" at 1-877-337-3639.

DATED PROOF OF PURCHASE REQUIRED FOR WARRANTY SERVICE

IMPORTANT

Ne pas Réexpédier ce Produit au Magasin

Pour tout problème concernant ce produit, veuillez contacter le service des consommateurs 'Haier Customer Satisfaction Center' au 1-877-337-3639.

UNE PREUVE D'ACHAT DATEE EST REQUISE POUR BENEFICIER DE LA GARANTIE.

IMPORTANTE

No regrese este producto a la tienda

Si tiene algún problema con este producto, por favor contacte el "Centro de Servicio al Consumidor de Haier" al 1-877-337-3639 (Válido solo en E.U.A).

NECESITA UNA PRUEBA DE COMPRA FECHADA PARA EL SERVICIO DE LA GARANTIA

115V, 60 Hz

**Made in China
Fabriqué en Chine
Hecho en China**

**Haier America
New York, NY 10018**

Printed in China

Free Manuals Download Website

<http://myh66.com>

<http://usermanuals.us>

<http://www.somanuals.com>

<http://www.4manuals.cc>

<http://www.manual-lib.com>

<http://www.404manual.com>

<http://www.luxmanual.com>

<http://aubethermostatmanual.com>

Golf course search by state

<http://golfingnear.com>

Email search by domain

<http://emailbydomain.com>

Auto manuals search

<http://auto.somanuals.com>

TV manuals search

<http://tv.somanuals.com>