

# Haier

## Thermoelectric Wine Cellar Cave à vin à Thermoélectrique Enfriador de Vinos Termoeléctrico



User Manual | Guide de l'Utilisateur | Manual del Usuario

Model # HVTM04ABB, HVTM06, HVTM08, HVTM12BSS, HVTM16ABB

SMARTER LIFE

BETTER PLANET

# IMPORTANT SAFEGUARDS

**When using this appliance, always exercise basic safety precautions, including the following:**

1. Read all of the instructions before using this appliance.
2. This wine cellar must be properly installed in accordance with the installation instructions before it is used. See grounding instructions in the installation section.
3. Never unplug your wine cellar by pulling on the power cord. Always grasp the plug firmly and pull straight out from the outlet.
4. Repair or replace immediately, all electric service cords that have become frayed or otherwise damaged. Do not use a cord that shows cracks or abrasion damage along its length, the plug or the connector end.
5. Unplug your wine cellar before cleaning or before making any repairs.  
**Note:** If for any reason this product requires service, we strongly recommend that a certified technician performs the service.
6. If your wine cellar is not being used, we recommend that you remove the door and leave the shelves in place. This will reduce the possibility of danger to children.
7. This wine cellar should not be recessed or built-in an enclosed cabinet. It is designed for freestanding installation only.
8. Do not operate your wine cellar in the presence of explosive fumes.
9. Do not store foods in wine cellar as interior temperature may not be cool enough to prevent spoilage.

## SAVE THESE INSTRUCTIONS

### HOUSEHOLD USE ONLY



## DANGER

**Risk of child entrapment. Before you throw away your old appliance, take off the doors. Leave the shelves in place so that children may not easily climb inside.**

## TABLE OF CONTENTS

	PAGE
<b>IMPORTANT SAFEGUARDS</b> .....	1
<b>PARTS AND FEATURES</b> .....	3
<b>INSTALLING YOUR WINE CELLAR</b> .....	4-6
Unpacking your wine cellar .....	4
Proper Air Circulation .....	4
Electrical Requirements .....	5
Use of extension cords .....	5
Install Limitations .....	5
Door Alignment .....	5
<b>WINE CELLAR FEATURES AND USE</b> .....	6
Temperature Adjustments .....	6
Thermoelectric Cooling .....	7
Shelving .....	7
<b>PROPER WINE CELLAR CARE AND CLEANING</b> .....	8
Cleaning and Maintenance .....	8
Power interruptions .....	8
Vacation & moving care .....	8
<b>TROUBLESHOOTING</b> .....	9
<b>WARRANTY</b> .....	10

Thank you for using our Haier product. This easy-to-use manual will guide you in getting the best use of your wine cellar.

Remember to record the model and serial number. They are on a label in back of the wine cellar.

Model number

---

Serial number

---

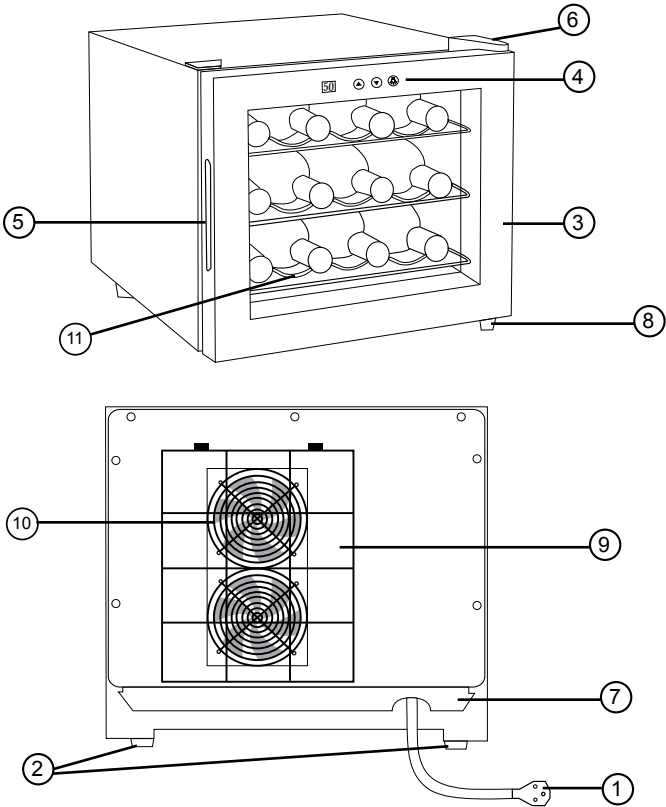
Date of purchase

---

Staple your receipt to your manual.

**You will need it to obtain warranty service.**

## PARTS AND FEATURES



- |                    |                                |
|--------------------|--------------------------------|
| 1. Power Cord      | 7. Drip Tray                   |
| 2. Feet            | 8. Bottom Hinge                |
| 3. Door Frame      | 9. Fan Filter                  |
| 4. Control Panel   | 10. Cooling Fan                |
| 5. Recessed Handle | 11. Racks                      |
| 6. Hinge Cover     | 12. Interior Light (not shown) |

**Note:** This figure is only a sketch and may differ from the actual product

## INSTALLING YOUR WINE CELLAR

### Unpacking Your Wine Cellar

1. Remove all packaging material. This includes the base and all adhesive tape holding the wine cellar accessories inside and outside.
2. Inspect and remove any remains of packing, tape or printed materials before powering on the wine cellar.

### Proper Air Circulation

- To assure your wine cellar works at the maximum efficiency it was designed for, you should install it in a location where there is proper air circulation and electrical connections.
- The following are recommended clearances around the wine cellar
  - Sides ..... 2" (50mm)
  - Top ..... 4" (100mm)
  - Back ..... 2" (50mm)
- Do not over fill your wine cellar for proper internal air circulation.

**NOTE: Allow enough space in the front of the unit to open the door to 120°.**

### Grounding Instructions

- Make sure there is a suitable power outlet (115V~60Hz 15A) with proper grounding to power the wine cellar.
- Avoid the use of three plug adapters or cutting off the third grounding pin in order to accommodate a two plug outlet. This is a dangerous practice since it provides no effective grounding for the wine cellar and may result in shock hazard.

### Use of Extension Cords

- Avoid the use of an extension cord because of potential safety hazards under certain conditions. If it is necessary to use an extension cord, use only a 3-wire extension cord that has a 3-blade grounding plug and a 3-slot outlet that will accept the plug. The marked rating of the extension cord must be equal to or greater than the electrical rating of the appliance.

## Installation Limitations

- Do not install your wine cellar in any location not properly insulated or heated e.g. garage etc.
- Select a suitable location for the wine cellar on a hard even surface away from direct sunlight or heat source e.g. radiators, baseboard heaters, cooking appliances etc. Any surface unevenness should be corrected with the leveling legs located on the front and rear bottom corners of the wine cellar. Avoid placing unit where there may be electrical interference.
- Your wine cellar is designed for **free-standing installation only**. It is not designed for built-in application.

**NOTE: To minimize the risk of rusting, leakage and insulation damage, avoid placing the unit in a place where heavy moisture is present. Under no circumstances spill or directly apply water onto or into the unit.**

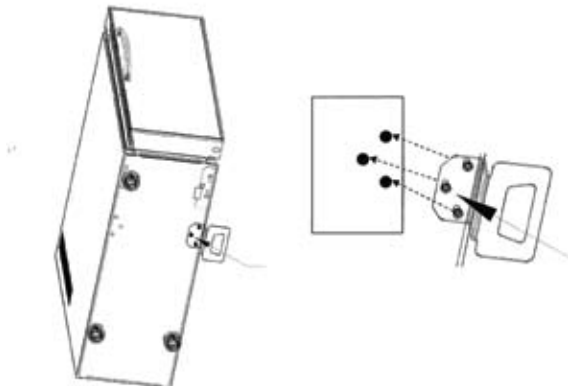
## Door Alignment

1. Remove the top hinge cover using a flat head screwdriver.
2. Gently move wires aside and loosen the 3 screws using a Phillips Head Screwdriver.
3. Adjust the door and tighten the screws.
4. Replace the top hinge cover.
5. Adjust bottom hinge if necessary.

## Stabilization Bracket (HVTM04ABB ONLY)

To increase product stability we strongly recommend attaching the stabilization bracket to the underside of the wine cellar.

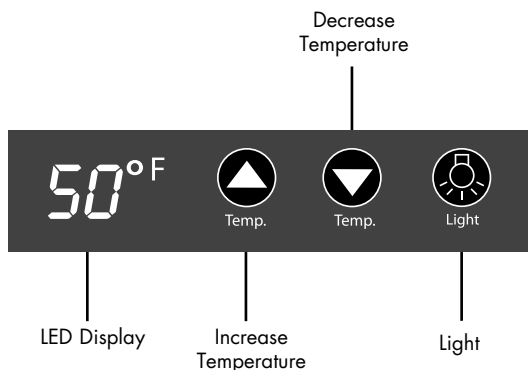
1. Remove the bracket and 3 screws from the plastic bag.
2. Insert the screws through the holes in the bracket and then into the predrilled holes on the bottom of the wine cellar (see image)
3. Tighten the screws



## WINE CELLAR FEATURES & USE

Plug in the wine cellar to power the unit on.

You can set the temperature of your wine cellar at any setting you desire. The temperature will range from 46° to 66°. When initially turned on, the LED will show the ambient. The LED will then display the internal temperature.



By pressing the (  $\wedge$  ) temperature button on the display you can increase the temperature and pressing the (  $\vee$  ) temperature button will lower the temperature.

Your wine cellar also has a light for your viewing pleasure. A light switch on the control panel will activate the light manually. Under normal operation it is best for the light to remain off.

Please note that the actual cabinet temperature in a thermoelectric unit is dependent on the ambient temperature. You may set the cabinet temperature within range but the unit may not reach the preset temperature.

For this model, when the ambient temperature is 77°, the lowest temperature that can be reached is 50-52°. When ambient temperature is 73°, the cabinet temperature can reach approximately 46-48°.

When the ambient temperature is below the pre-set temperature, the cellar will not operate until the ambient temperature increase to higher than the pre-set temperature.

### **Thermoelectric Cooling:**

- Thermoelectric (also referred to as semiconductor) wine cellars do not use a compressor and therefore create minimal noise and vibration. Besides being extremely quiet, the lack of vibration will prevent bubbles from forming in stored wine. In addition thermoelectric units offer high reliability and low maintenance while precisely maintaining the preset temperature for storing wine. Thermoelectric technology is environmentally friendly, as no CFC, HCFC, or HCF-type refrigerants are involved in the cooling process.

### **Shelving:**

- The shelves are chrome plated for appearance and easy cleaning.

### **Fan Filter:**

To maintain proper product cooling and longevity the fan filter should be removed and cleaned every 6 months, or sooner, to remove dirt, dust and hair that can accumulate causing the cooling system to not function properly.

**ALWAYS UNPLUG THE UNIT PRIOR TO CLEANING THE FAN FILTER**


There are two effective methods to clean the external fan filter:


- A vacuum cleaner can be used to remove the dirt, dust and hair that has built-up.
- Alternatively compressed air, similar to what is used on a computer keyboard, can be used to clean the fan filter. Please be sure to follow the directions of the compressed air container to avoid damage or personal injury.



## PROPER WINE CELLAR CARE AND CLEANING

### Cleaning and Maintenance

 **Warning:** To avoid electric shock always unplug your wine cellar before cleaning. Ignoring this warning may result in death or injury.

 **Caution:** Before using cleaning products, always read and follow manufacturer's instructions and warnings to avoid personal injury or product damage.

#### **General:**

- Prepare a cleaning solution of 3-4 tablespoons of baking soda mixed with warm water. Use sponge or soft cloth, dampened with the cleaning solution, to wipe down your wine cellar.
- Rinse with clean warm water and dry with a soft cloth.
- Do not use harsh chemicals, abrasives, ammonia, chlorine bleach, concentrated detergents, solvents or metal scouring pads. SOME of these chemicals may dissolve, damage and/or discolor your wine cellar.

#### **Power Interruptions**

- Occasionally there may be power interruptions due to thunderstorms or other causes. Remove the power cord from AC outlet when a power outage occurs. When power has been restored, replug power cord to AC outlet.

#### **Vacation and Moving Care**

- For long vacations or absences, unplug the unit, empty contents from wine cellar, and clean the wine cellar and door gaskets according to "General cleaning" section. Prop doors open, so air can circulate inside. When moving always move the wine cellar vertically. Do not move the unit lying on its side.

## TROUBLESHOOTING

### **Wine Cellar does not operate**

- Check if wine cellar is plugged in.
- Check if there is power at the AC outlet, by checking the circuit breaker.

### **Wine appears too warm**

- Frequent door openings.
- Allow time for recently added wine to reach desired temperature.
- Check gaskets for proper seal.
- Adjust temperature control to colder setting.
- Clean the fan filter.

### **Wine temperature is too cold**

- If temperature control setting is too cold, adjust to a warmer setting.

### **Moisture build up on interior or exterior of the wine cellar:**

- This is normal during high humidity periods.
- Prolonged or frequent door openings.
- Check door gaskets for proper seal.

### **Wine Cellar door does not shut properly:**

- Level the wine cooler.
- Check for blockages e.g. wine bottles, shelves.

## LIMITED WARRANTY

### What is covered and for how long?

This warranty covers all defects in workmanship or materials for a period of:

**12 months labor (carry-in)  
12 months parts**

The warranty commences on the date the item was purchased and the original purchase receipt must be presented to the authorized service center before warranty repairs are rendered.

### EXCEPTIONS: Commercial or Rental Use warranty

**90 days labor (carry-in only)**

**90 days parts**

**No other warranty applies**

### What is covered.

1. The mechanical and electrical parts, which serve as a functional, purpose of this appliance for a period of 12 months. This includes all parts except finish, and trim.

### What will be done?

1. We will repair or replace, at our discretion any mechanical or electrical part which proves to be defective in normal usage during the warranty period so specified.
2. There will be no charge to the purchaser for parts and labor on any covered items during the initial 12 month period.
3. Contact your nearest authorized service center. For the name of the nearest service center please call 1-877-337-3639.

### THIS WARRANTY COVERS APPLIANCES WITHIN THE CONTINENTAL UNITED STATES, PUERTO RICO AND CANADA. IT DOES NOT COVER THE FOLLOWING:

Damages from improper installation.

Damages in shipping.

Defects other than manufacturing.

Damage from misuse, abuse, accident, alteration, lack of proper care and maintenance or incorrect current or voltage.

Damage from other than household use.

Damage from service by other than an authorized dealer or service center.

Decorative trims or replaceable light bulbs.

Transportation and shipping.

Labor (after the initial 12 months).

THIS LIMITED WARRANTY IS GIVEN IN LIEU OF ALL OTHER WARRANTIES, EXPRESSED OR, INCLUDING THE WARRANTIES OF MERCHANTABILITY AND FITNESS FOR A PARTICULAR PURPOSE

The remedy provided in this warranty is exclusive and is granted in lieu of all other remedies.

This warranty does not cover incidental or consequential damages, so the above limitations may not apply to you. Some States do not allow limitations on how long an implied warranty lasts, so the above limitations may not apply to you.

This warranty gives you specific legal rights, and you may have other rights, which vary, from state to state.

Haier America  
New York, NY 10018

# MESURES DE SECURITE

**Lire l'ensemble des instructions avant d'utiliser l'appareil. Lors de l'utilisation de cet appareil, prendre toutes les mesures de sécurité de base, y compris les suivantes:**

1. N'utiliser cet appareil que pour l'usage pour lequel il est prévu, tel qu'il est indiqué dans le guide d'utilisation et d'entretien.
2. Ce réfrigérateur à vin doit être installé correctement, selon les instructions d'installation, avant d'être utilisé. Voir les instructions de mise à la terre dans la section d'installation.
3. Ne jamais débrancher le réfrigérateur à vin en tirant sur le cordon d'alimentation. Saisissez toujours la fiche fermement et la tirez-la directement de la prise de courant.
4. Réparez ou remplacez immédiatement tous les cordons d'alimentation qui sont frangés ou endommagés. N'utilisez pas de cordon qui présente des fissures ou de l'abrasion sur le fil ou aux extrémités.
5. Débranchez votre réfrigérateur avant de le nettoyer ou d'en faire l'entretien général. **Note:** N'essayez pas de réparations vous-mêmes. Contactez un agent de service qualifié pour toute réparation.
6. Si vous remplacez un vieux réfrigérateur à vin, enlevez les portes avant de l'entreposer ou de le jeter et laissez les étagères en place. Cela réduira les dangers potentiels pour les enfants.
7. Ce réfrigérateur à vin ne doit pas être suspendu ou encastré. Il est conçu pour être installé de façon indépendante seulement (veuillez vous référer à la section Installation pour de plus amples informations).
8. Ne faites pas fonctionner le réfrigérateur à vin en présence d'émanations explosives.
9. N'enregistrez pas les nourritures dans le refroidisseur de vin car la température intérieure peut ne pas être assez fraîche pour empêcher la détérioratio.

## CONSERVEZ CES INSTRUCTIONS

À USAGE DOMESTIQUE UNIQUEMENT



**Les enfants pourraient se retrouver coincés dans votre réfrigérateur à vin usagé avant que vous ne puissiez vous en débarrasser. Retirer les portes. Laisser les étagères en place de manière à ce que les enfants ne puissent pas grimper facilement à l'intérieur.**

# SOMMAIRE

PAGE

<b>MESURES DE SECURITEE</b> .....	11
<b>PIECES ET CARACTERISTIQUES</b> .....	13
<b>INSTALLATION DU REFRIGERATUER A VIN</b> .....	14-16
Désemballage du Réfrigérateur à Vin .....	14
Circulation d'Air Adéquate .....	14
Caractéristiques Electriques .....	14
L'usage de Rallonges .....	14
Limitations d'installation .....	15
Crochet stabilisateur .....	15
Alignement de porte .....	16
<b>CARACTERISTIQUES DU REFRIGERATEUR A VIN</b> .....	16
Ajustements de Température .....	16
Systeme de Refroidissement Thermoélectrique .....	17
Rangement .....	17
Filtre du ventilateur .....	17
<b>ENTRETIEN ET NETTOYAGE DU REFRIGERATEUR A VIN</b> .....	18
Nettoyage et Maintenance .....	18
Coupures de Courant .....	18
Entretien lors des Vacances ou d'un Déménagement .....	18
<b>GUIDE DE DEPANNAGE</b> .....	19
<b>GARANTIE</b> .....	20

Nous vous remercions d'avoir choisi ce produit Haier. Ce guide d'utilisation facile d'emploi permet une utilisation optimum du réfrigérateur à vin.

Ne pas oublier de prendre note du numéro de modèle et de série. Ils sont inscrits sur une plaquette apposée l'arrière réfrigérateur à vin.

Numéro de modèle

---

Numéro de série

---

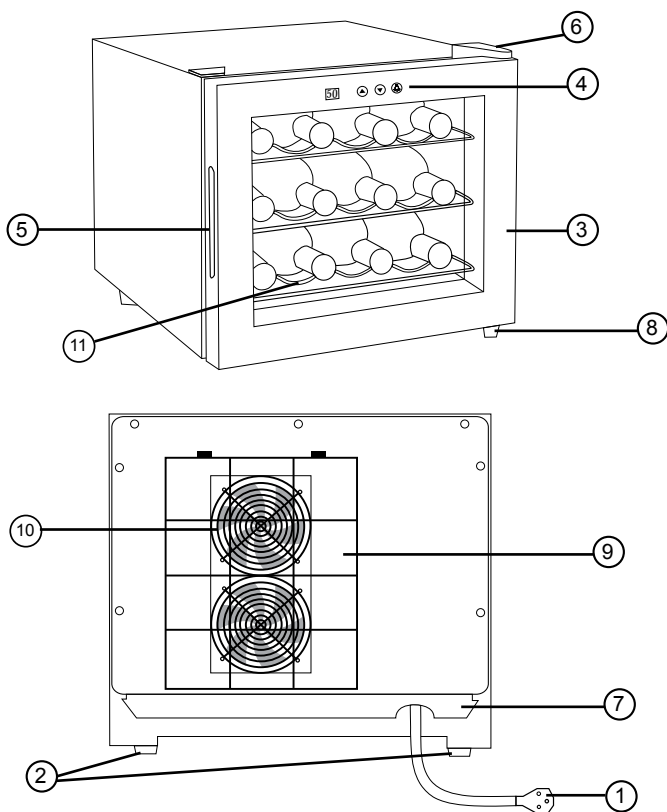
Date d'achat

---

Agrafer le ticket de caisse au guide.

**Devra être présenté pour tout service après-vente sous garantie.**

## PIECES ET CARACTERISTIQUES



- |                            |  |
|----------------------------|--|
| 1. Cordon d'alimentation   | 7. Plateau de récupération             |
| 2. Pied                    | 8. Charnière inférieure                |
| 3. Cadre de porte          | 9. Le filtre du ventilateur            |
| 4. Tableau de commande     | 10. Ventilateur                        |
| 5. Poignée encastrée       | 11. Clayettes                          |
| 6. Couverture de Charnière | 12. Lumière intérieure (non illustrée) |

**Note:** Cette figure est uniquement à but illustratif et peut être différent du produit réel.

## INSTALLATION DU RÉFRIGÉRATEUR À VIN

### Désemballage du Réfrigérateur à Vin

1. Retirer l'ensemble du matériel d'emballage. Ceci comprend la base en mousse ainsi que l'ensemble du matériel adhésif qui maintient les accessoires du réfrigérateur à vin l'intérieur tout comme à l'extérieur. Faire glisser et retirer la protection plastique ou en mousse servant à préserver le compresseur de tout dommage causé par les vibrations
2. Inspecter et enlever tout restant d'emballage, de scotch ou de matériaux imprimés avant de brancher le réfrigérateur à vin.

### Circulation d'Air Adéquate

- Pour être sûr que le réfrigérateur à vin fonctionne à son maximum d'efficacité, l'installer dans un environnement favorable à une bonne circulation d'air et possédant des connexions de plomberie et d'électricité saines.
- Les indications suivantes concernent l'espace recommandé autour du réfrigérateur à vin:
 

Latéralement.....	2" (50mm)
Partie supérieure.....	4" (100mm)
Arrière.....	2" (50mm)
- Ne remplissez pas au-dessus du niveau votre refroidisseur de vin pour le circulator interne approprié d'air.

**NOTE: Permet à assez d'espace dans le devant de l'unité pour ouvrir la porte à 120°**

### Caractéristiques Electriques

- Pour l'alimentation du réfrigérateur à vin, veiller à utiliser une prise de courant convenable (115V~60Hz 15A) raccordée à la terre.
- Eviter d'utiliser des adaptateurs à trois fiches ou de sectionner la troisième fiche reliée à la terre dans le but d'utiliser un branchement à deux fiches. Cette pratique pourrait s'avérer dangereuse dans la mesure où le réfrigérateur à vin n'est pas relié convenablement à la terre, et risquerait de causer des risques d'électrocution.

### L'usage de Rallonges

- Eviter l'usage d'une rallonge à cause des dangers de sûreté potentiels sous les certaines conditions. Si c'est nécessaire d'utiliser une rallonge, utiliser seulement une rallonge à 3 fils qui a un mettre à terre le bouchon de 3 lames et une sortie de 3 entailles qui accepteront le bouchon. L'évaluer marqué de la rallonge doit être égal à ou plus grand que l'évaluer électrique de l'appareil.

## Limitations relatives à l'Installation

- Ne pas installer le réfrigérateur à vin dans un endroit qui n'est pas convenablement isolé ou chauffé; comme par exemple un garage, etc. Le réfrigérateur à vin n'est pas conçu pour fonctionner à des températures inférieures à 12°C.
- Choisir un endroit convenable et placer le réfrigérateur à vin sur une surface solide et plane, loin de sources de chaleur telles que: les radiateurs, les éléments chauffants à plinthes, les cuisinières, etc. N'importe quelle inégalité de plancher devrait être corrigée avec les jambes de mise à niveau placées sur les coins plan et arrière de votre refroidisseur de vin.
- Votre refroidisseur de vin est conçu pour l'installation debout libre seulement. Il n'est pas conçu pour être installé dans l'application.

**NOTE: Pour minimiser le risque de rouiller, les dommages de fuite et isolation, éviter plaçant l'unité dans un endroit où l'humidité lourde est présente. En aucun cas renverser ou directement appliquer de l'eau sur ou dans l'unité.**

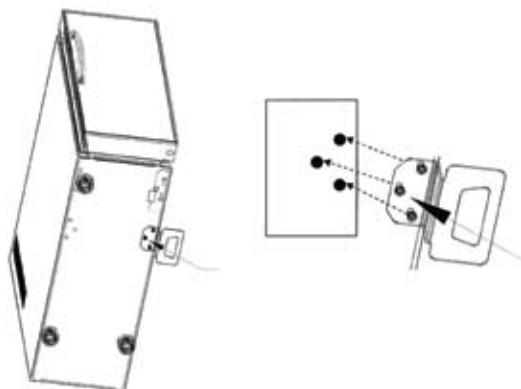
## Alignement de la porte

1. Retirer la vis de protection de la charnière.
2. Desserrez les trois vis utilisant un tournevis phillips.
3. Desserrez les vis de la charnière supérieure à l'aide d'un tournevis cruciforme.
4. Régler la porte ou placer une cale puis serrer les vis.
5. Replacer la protection de la charnière supérieure.

## Crochet stabilisateur (HVTM04ABB SEULEMENT)

Pour augmenter la stabilité du produit, nous vous recommandons fortement d'attacher le crochet stabilisateur de votre cellier.

1. Retirez le crochet et les trois vis du sac de plastique.
2. Insérer les 3 vis dans les trous du crochet et vissez-les dans des trous pré-perçés au bas de votre cellier (voir le schéma)
3. Resserrez les vis.

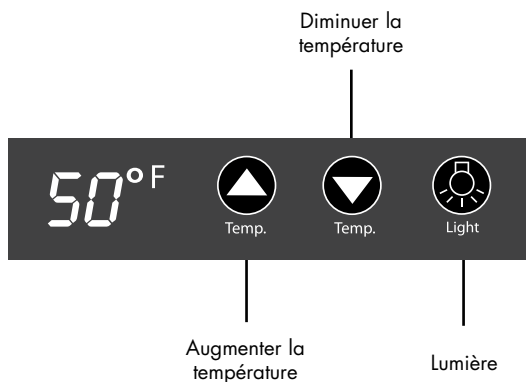




## CARACTERISTIQUES ET UTILISATION DE LA CAVE A VIN

Branchez la cave à vin dans la prise murale pour mettre en marche l'appareil.

Vous pouvez régler la température de votre cave à vin au réglage que vous désirez. La température variera de 46°F/7°C à 66°F/17°C. Quand vous mettez l'appareil en marche initialement, le voyant lumineux affichera la température ambiante. Le voyant lumineux affichera ensuite la température interne.



En appuyant sur le bouton ( $\wedge$ ) de la température à l'écran augmentera la température et appuyer sur le bouton ( $\vee$ ) de la température diminuera la température.

La cave à vin est également dotée d'une lumière pour votre convenance. Un bouton à l'intérieur de la cave à vin, sur le côté supérieur droit mettra la lumière en marche manuellement. En mode de fonctionnement normal, le mieux est de laisser la lumière éteinte.

Veillez noter que la température ambiante dans un appareil électrique thermal dépend de la température ambiante. Vous pouvez régler la température de la carrosserie entre ces variations mais l'appareil peut ne pas atteindre la température pré-réglée.

Pour ce modèle, quand la température ambiante est de 77°F/25°C, la température la plus basse pouvant être atteinte est de 50-52°F/10°-11°C. Quand la température ambiante est de 73°F/22°C, la température de la carrosserie peut être approximativement de 46-48°F/7°C-8°C.

Quand la température ambiante est inférieure à la température pré-réglée, la cave à vin ne fonctionnera pas jusqu'à ce que la température ambiante augmente pour dépasser la température pré-réglée.

## Système de refroidissement thermoélectrique:

- Les caves à vin thermoélectriques (aussi appelé semi-conducteur) n'utilisent pas de compresseur et créent donc un bruit minime et une vibration minimale. En plus d'être extrêmement silencieux l'absence de vibration empêchera la formation de bulles dans le vin entreposé. Par ailleurs, les appareils thermoélectroniques sont très fiables et demandent un entretien minime tout en maintenant la température présélectionnée idéale pour conserver le vin. La technologie thermoélectrique est également favorable à l'environnement car elle n'abîme pas les réfrigérants de type CFC, HCFC ou HFC impliqués dans ce processus de refroidissement.

## Rangement:

- Les clayettes sont en chrome pour un style impeccable et un nettoyage facile.

## Lumière Interne:

- La cave à vin est dotée d'une lumière dans chaque compartiment pour votre convenance. Un bouton en haut à droite de l'appareil fait marcher les deux lumières. Dans des conditions de fonctionnement normal le mieux est de laisser la lumière éteinte.

## Filtre du ventilateur

Pour maintenir une bonne performance et vous assurer de la longévité du système de refroidissement du cellier, le filtre du ventilateur devra être enlevé et nettoyé au minimum tous les 6 mois, ou plus fréquemment si possible, pour enlever la saleté, la poussière et les poils qui peuvent s'accumuler, empêchant ainsi le système de refroidissement de fonctionner adéquatement.

### DÉBRANCHEZ TOUJOURS L'APPAREIL AVANT DE NETTOYER LE FILTRE

Il y a 2 méthodes efficaces pour nettoyer le filtre externe du ventilateur :

- Vous pouvez utiliser un aspirateur pour enlever la saleté, la poussière et les poils accumulés.
- Vous pouvez aussi, comme alternative, utiliser l'air comprimé pour nettoyer le filtre du ventilateur, du genre utilisé pour nettoyer un clavier d'ordinateur. Pour éviter des blessures, assurez-vous de bien respecter les directives d'utilisation de l'appareil d'air comprimé.

## ENTRETIEN E NETTOYAGE DU REFRIGERATEUR A VIN

### Nettoyage et Maintenance

**⚠ Attention:** Pour éviter les risques d'électrocution; toujours débrancher le réfrigérateur à vin avant de le nettoyer. Le non respect de cette mesure peut entraîner des blessures graves ou mortelles.

**⚠ Précautions:** Avant d'avoir recours à des produits d'entretien, toujours consulter et suivre les instructions du fabricant et recommandations afin d'éviter toute blessure éventuelle et risque de dégât de matériel.

#### Généralités:

- Si de l'eau est recueillie dans le plateau de récupération à l'arrière de l'appareil, débarrassez-vous de l'eau et réinsérez le plateau de récupération en place.
- Préparer une solution de nettoyage comportant 3 à 4 cuillerées à soupe de bicarbonate de soda mélangé à de l'eau chaude. A l'aide d'une éponge ou un tissu doux humectés de solution de nettoyage; essuyer le réfrigérateur à vin.
- Rincer à l'eau chaude et sécher à l'aide d'un tissu doux.
- Ne pas utiliser de détergents chimiques, abrasifs, ou contenant de l'ammoniaque ou du chlore, ni de solvants ou de tampons à récurer en métal. CERTAINS de ces produits chimiques peuvent dissoudre, endommager et/ou décolorer le réfrigérateur à vin.

### Coupures de Courant

- Des pannes d'alimentation occasionnelles peuvent survenir à cause d'une tempête ou de causes autres. Retirer le cordon d'alimentation de la prise CA pendant toute la durée de la coupure d'alimentation. Lorsque le courant électrique est rétabli, rebrancher le cordon dans la prise CA.

### Vacances et Déménagement

- Pendant les périodes de vacances ou d'absence prolongée, placer le CADRAN de température sur la position 'OFF' (arrêt) et nettoyer le réfrigérateur à vin ainsi que les joints de porte en suivant les procédures du chapitre intitulé 'Nettoyage général'. Faire en sorte que la porte reste ouverte de manière à ce que l'air puisse circuler à l'intérieur. Toujours déplacer le réfrigérateur à vin en position verticale. Ne pas déplacer l'appareil en position horizontale. Ceci pourrait endommager le système d'étanchéité.

## DÉPANNAGE

### **Le Réfrigérateur à vin ne fonctionne pas:**

- Veiller à ce que le réfrigérateur à vin soit bien branché.
- Veiller à ce que la prise de courant AC fonctionne bien en vérifiant le disjoncteur.

### **Le vin semble trop chaud:**

- La porte est ouverte trop fréquemment.
- Accordez l'heure pour le vin récemment ajouté d'atteindre température désirée.
- Vérifier l'étanchéité des joints.
- Régler le programmeur de température sur froid.
- Nettoyez le filtre du ventilateur.

### **La température de vin est trop froide:**

- Si le programmeur de température est placé sur une position trop froide, le régler sur une position plus chaude.

### **Accumulation d'humidité à l'intérieur ou à l'extérieur du réfrigérateur à vin:**

- Ceci est normal pendant les périodes de grande chaleur humide.
- Ouvertures de la porte prolongée ou trop fréquente.
- Vérifier l'étanchéité des joints.

### **La porte du réfrigérateur à vin/congélateur ne ferme pas correctement:**

- Mettre le réfrigérateur à niveau.
- Vérifiez les colmatages, par exemple: bouteilles de vinietageres.

## GARANTIE LIMITÉE

### Éléments sous garantie et durée de la garantie:

Cette garantie couvre tous les défauts de main-d'œuvre et de matériaux pour une période de:

#### **12 mois pour la main d'oeuvre 12 mois pour les pièces**

La garantie prend effet le jour de l'achat de l'article. Le ticket de caisse d'origine doit être présenté au centre de réparation agréé pour toute réparation sous garantie.

#### **EXCEPTIONS: Garantie pour usage commercial ou location.**

#### **90 jours pour la main d'oeuvre (service en atelier uniquement)**

#### **90 jours pour les pièces**

#### **Aucune autre garantie n'est applicable**

#### **Couverture.**

1. Les pièces électriques et mécaniques servant au fonctionnement de l'appareil, pour une période de 12 mois. Ceci comprend l'ensemble des pièces, à l'exception de la finition et des garnitures.

#### **Réparations qui seront effectuées?**

1. Nous nous engageons à réparer ou remplacer, à notre discrétion, toute pièce électrique ou mécanique s'avérant défectueuse dans des conditions normales d'utilisation, au cours de la période de garantie spécifiée.
2. L'acheteur ne subira aucun frais pour les pièces et la main-d'œuvre couvertes par la garantie, au cours de la première période de 12 mois.
3. Contacter le centre de réparations agréé le plus proche. Pour obtenir les nom et adresse du centre le plus proche, appeler le 1-877-337-3639.

#### **LES APPAREILS SONT COUVERTS PAR LA GARANTIE SUR LE TERRITOIRE CONTINENTAL DES ETATS-UNIS, À PUERTO RICO ET AU CANADA:**

Les dommages résultant d'une installation incorrecte.

Les dommages survenus pendant le transport. Les défauts ne résultant pas de la fabrication.

Les dommages résultant d'un usage incorrect ou abusif, d'un accident, de modifications, d'un manque d'entretien ou de maintenance, ou d'une tension incorrecte.

Les dommages résultant d'un usage autre que l'usage ménager.

Les dommages résultant d'un entretien ou de réparations par quiconque autre qu'un distributeur ou centre de réparations agréé.

Garnitures décoratives ou ampoules pouvant être remplacées. Transport et Frais d'envoi.

Main d'œuvre (après la période initiale de 12 mois)

**CETTE GARANTIE LIMITÉE REMPLACE TOUTE AUTRE GARANTIE EXPRESSE OU IMPLICITE, Y COMPRIS LES GARANTIES DE VALEUR MARCHANDE OU D'ADÉQUATION A UN USAGE PRÉCIS**

Le recours offert dans cette garantie est exclusif et est accordé à l'exclusion de tout autre.

La garantie ne couvrant pas les dommages directs et indirects, les limitations ci-dessus peuvent ne pas s'appliquer à tous les cas. Certains états ne permettant pas la limitation de la durée des garanties implicites, les limitations ci-dessus peuvent ne pas s'appliquer à tous les cas.

Cette garantie confère à l'acheteur des droits spécifiques et celui-ci peut bénéficier d'autres droits qui varient selon les états.

Haier America  
New York, NY 10018

# INSTRUCCIONES PRECAUTORIAS

**Lea todas las instrucciones antes de utilizar este aparato. Cuando utilice este aparato, siempre ejerza las precauciones de seguridad básicas, incluyendo las siguientes:**

1. Use este enfriador de vino solamente para el propósito que fue creado como se describe en esta guía de usos y cuidados.
2. Este enfriador de vino debe de ser instalado apropiadamente de acuerdo con las instrucciones de instalación antes de ser usado. Vea las instrucciones de conexión a tierra en la sección de instalación.
3. Nunca desconecte el enfriador de vino jalando del cordón. Siempre sujete la clavija firmemente y jálela hacia fuera del tomacorriente.
4. Repare o reemplace inmediatamente todos los cables eléctricos que se hayan quemado o dañado. No utilice un cable que muestre grietas a abrasiones a lo largo del mismo o en la clavija o el conector.
5. Desconecte el enfriador de vino antes de limpiarlo o del mantenimiento general. **Nota:** No intente repararlo usted mismo. Llame a un agente calificado para cualquier reparación.
6. Si usted está reemplazando un enfriador de vino antiguo, retire las puertas del mismo antes de guardarlo o desecharlo, y deje los estantes en lugar. Esto reducirá la posibilidad de peligro a los niños.
7. Este enfriador de vino no debe ser empotrado o colocarse dentro de un hueco; está diseñado para su instalación libre solamente (por favor vea la sección de instalación para mayor información).
8. No opere el enfriador de vino en la presencia de humos explosivos.
9. No guarde comida en el enfriador de vino, ya que la temperatura dentro del mismo puede no ser lo suficientemente fría para prevenir la descomposición de la comida.

## CONSERVE ESTAS INSTRUCCIONES

### USO DOMESTICO SOLAMENTE

# PELIGRO

**Existe el riesgo de que los niños puedan quedar atrapados dentro. Antes de tirar su enfriador de vino, quite las puertas. Deje los anaqueles en su lugar para que los niños no puedan entrar fácilmente en el interior."**

# INDICE

PAGE

<b>INSTRUCCIONES PRECAUTORIAS</b> .....	21
<b>PIEZAS Y CARACTERISTICAS</b> .....	23
<b>INSTALACION DE SU REFRIGERADOR DEL VINO</b> .....	24
Desempaque de su Refrigerador del Vino .....	24
Circulación Apropiaada del Aire .....	24
Requisitos Eléctricos .....	24
El uso de Cuerdas de Extensión .....	24
Las Limitaciones de la instalación .....	25
La Alineación de la puerta .....	25
Soporte de estabilización .....	25
<b>CARACTERISTICAS Y USO DEL REFRIGERADOR DEL VINO</b> .....	26
Ajustes de la Temperatura .....	26
Enfriamiento Electrotermico .....	27
Estantes .....	27
Filtro del ventilador .....	27
<b>CUIDADOS Y LIMPIEZA ASECUADA DEL REFRIGERADOR</b> .....	28
Limpieza y Mantenimiento .....	28
Interrupciones de la Corriente Eléctrica .....	28
Vacaciones y Mudanza .....	28
<b>VERIFICACION DE PROBLEMAS</b> .....	29
<b>INFORMACION DE GARANTIA</b> .....	30

Gracias por utilizar nuestro producto Haier. Este sencillo manual le orientará con respecto al mejor uso que puede darle a su enfriador de vino.

Recuerde tomar nota del modelo y número de serie. Ambos se encuentran impresos en una etiqueta en la parte posterior del enfriador de vino.

Numero de Modelo

---

Numero de Serie

---

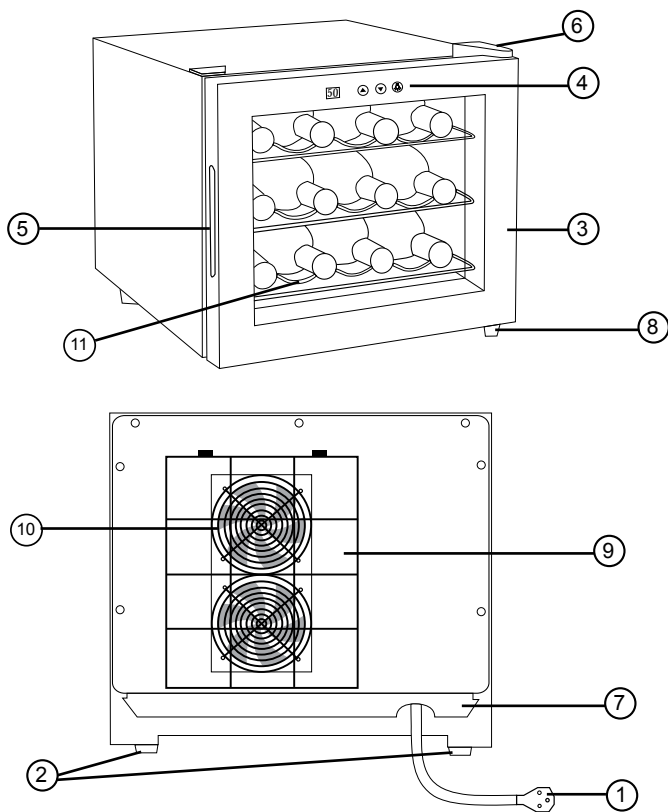
Fecha de Compra

---

Agrafer le ticket de caisse au guide.

**Il devra être présenté pour tout service après-vente sous garantie.**

## PIEZAS Y CARACTERISTICAS



- |                                  |                                  |
|----------------------------------|----------------------------------|
| 1. Cable de suministro eléctrico | 7. Bandeja de goteo              |
| 2. Patas                         | 8. Bisagra inferior              |
| 3. Marco de puerta               | 9. Filtro del ventilador         |
| 4. Panel de control              | 10. Ventilador de enfriamiento   |
| 5. Manija empotrada              | 11. Rejillas                     |
| 6. Asidero de Recessed           | 12. Luz interior (no se muestra) |

**Nota:** Esta figura es solo un diagrama y puede diferir del producto real.



## INSTALACION DE SU REFRIGERADOR DEL VINO

### Desempaque de su Refrigerador del Vino

1. Retire todo el material de embalaje. Esto incluye la base de espuma y toda la cinta adhesiva que sostiene los accesorios del refrigerador del vino en el interior y exterior. Deslice y saque la protección de plástico o espuma usada para proteger al compresor de daños durante el envío debido a la vibración y los golpes.
2. Inspeccione y retire cualesquier restos del embalaje, la cinta adhesiva o los materiales impresos antes de encender el refrigerador del vino.

### Circulación Apropriado del Aire

- Para asegurar que su refrigerador del vino funcione con la eficiencia máxima para la que fue diseñado, éste debe ser instalado en un lugar donde haya una circulación de aire adecuada, conexiones eléctricas y de tubería.
- Estas son las distancias recomendadas que deben dejarse alrededor del refrigerador del vino:
 

Lados .....	2" (50mm)
Parte Superior .....	4" (100mm)
Parte Posterior .....	2" (50mm)
- Do not over fill your wine cellar for proper internal air circulation.

**NOTA: Permite suficiente espacio en la frente de la unidad para abrir la puerta a 120°**

### Requisitos Eléctricos

- Asegúrese de que haya un tomacorriente apropiado (115V~60Hz 15A) con una conexión a tierra apropiada para hacer funcionar el refrigerador del vino.
- Evite el uso de adaptadores de tres patas o el cortar la tercer pata de conexión a tierra para poder conectar en un tomacorriente bifásico. Esto sería una práctica muy peligrosa ya que no proveería al refrigerador del vino con una conexión a tierra adecuada y podría resultar un riesgo de descarga eléctrica.

### El uso de Cuerdas de Extensión

- Evite el uso de una cuerda de la extensión a causa de peligros potenciales de seguridad bajo ciertas condiciones. Si es necesario usar una cuerda de la extensión, use sólo una cuerda de 3 alambres de extensión que tiene un de 3 hojas molió tapón y una salida de 3 ranuras que aceptarán el tapón. La calificación marcada de la cuerda de la extensión debe ser igual a o más que la calificación eléctrica del aparato.

## Limitaciones de Instalación

- No instale su refrigerador del vino en ningún lugar que no tenga el aislamiento o la calefacción apropiada, por ejemplo una cochera, etc. Su refrigerador del vino no fue diseñado para funcionar en temperaturas abajo de los 12° Centígrados (55°F).
- Seleccione un lugar adecuado para el refrigerador del vino sobre una superficie sólida y nivelada alejado de los rayos directos del sol o de una fuente de calor como la de los radiadores, rejillas de calefacción, estufas, etc. Cualquier desnivelación del piso debe ser corregido con las patas niveladoras ubicadas en las esquinas inferiores frontales del refrigerador del vino.
- Su refrigerador del vino se diseña para la instalación libre solamente. No se diseña para la aplicación incorporada.

**NOTA: Para aminorar el riesgo de oxidar, el daño de merma y aislamiento, evita colocando la unidad en un lugar donde humedad pesada es presente. Rocie aplica directamente o en ningún concepto agua en o en la unidad.**

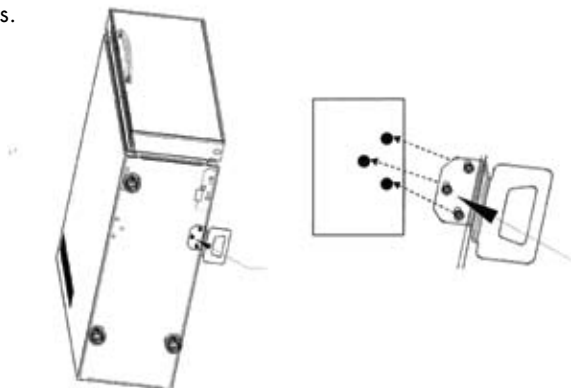
## Alineación de la Puerta

1. Quite la cubierta de los tornillos.
2. Afloje los tres tornillos usando un destornillador principal Phillips.
3. Afloje los tornillos de la bisagra usando un destornillador de punta de cruz.
4. Ajuste la puerta o coloque un espaciador entremedio y luego vuelva a apretar los tornillos.
5. Vuelva a colocar la cubierta de la bisagra superior.

## Soporte de estabilización (únicamente HVTM04ABB)

Para aumentar la estabilidad del producto recomendamos firmemente fijar el soporte de estabilización a la parte inferior del enfriador de vinos.

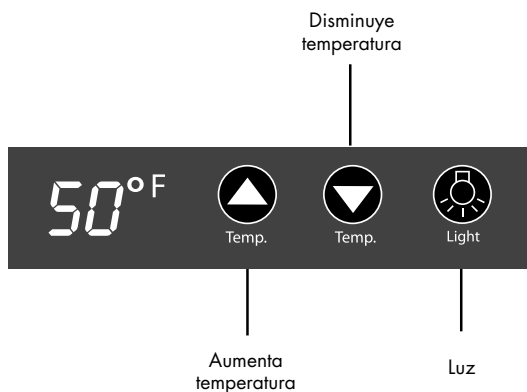
1. Retire el soporte y los 3 tornillos de la bolsa plástica.
2. Introduzca los tornillos en los agujeros del soporte y luego en los agujeros ya perforados de la parte inferior del enfriador de vinos (consulte la imagen)
3. Ajuste los tornillos.



## USO Y CARACTERISTICAS DEL ENFRIADOR DE VINOS

Enchufe el enfriador de vinos para prender la unidad.

Su enfriador de vinos tiene un control electrónico de temperatura en el frente de la unidad, la configuración predeterminada es 50°. Puede fijar la temperatura del enfriador de vinos en la configuración que desee. La temperatura puede ajustarse de 46° a 64°. Cuando se encienda inicialmente, el indicador luminoso mostrará la temperatura ambiente. El indicador luminoso mostrará luego la temperatura interna.



Al presionar el botón de la temperatura (^) en el visor, puede aumentar la temperatura, y al presionar el botón de la temperatura (v), se baja la temperatura.

Su enfriador de vinos también cuenta con luz para que pueda disfrutar de ver los vinos. Un interruptor de la luz en el panel de control activa la luz manualmente. Durante el funcionamiento normal, es mejor dejar la luz apagada.

Por favor tenga en cuenta que la temperatura del gabinete en una unidad electotérmica depende de la temperatura ambiente. Puede establecer la temperatura del gabinete dentro del rango adecuado, pero es probable que la unidad no llegue a la temperatura preconfigurada.

Para este modelo, cuando la temperatura ambiente es 77°, la temperatura más baja que puede alcanzar es 50-52°. Cuando la temperatura ambiente es 73°, la temperatura del gabinete puede alcanzar 46-48°.

Cuando la temperatura ambiente está por debajo de la temperatura preconfigurada, el enfriador no funcionará hasta que la temperatura ambiente aumente por sobre la temperatura preconfigurada.

## Enfriamiento Electrotérmico:

- Los enfriadores de vino electrotérmicos (también denominados semiconductores) no utilizan compresor, y por lo tanto los ruidos y las vibraciones que provocan son mínimos. Además de ser extremadamente silenciosos, la falta de vibración evita que se formen burbujas en el vino almacenado. Las unidades electrotérmicas ofrecen también una alta confiabilidad y bajo mantenimiento, al mismo tiempo que mantienen con precisión la temperatura pre-configurada ideal para conservar el vino. La tecnología electrotérmica protege la ecología, ya que no se utilizan refrigerantes dañinos del tipo CFC, HCFC o HFC en el proceso de enfriamiento.

## Estantes:

- Los estantes son cromados para darles una mejor apariencia y para que sea más fácil lavarlos.

## Filtro del ventilador:

Para mantener un enfriamiento adecuado del producto y mayor durabilidad, el filtro del ventilador debe retirarse y limpiarse cada 6 meses o menos para eliminar la suciedad, el polvo y el cabello que se haya acumulado y que hace que el sistema de enfriamiento no funcione correctamente.

**SIEMPRE DEBE DESENFUCHAR LA UNIDAD ANTES DE LIMPIAR EL FILTRO DEL VENTILADOR**

Hay dos métodos eficaces de limpiar el filtro exterior del ventilador:

- Puede utilizarse una aspiradora para eliminar la suciedad, el polvo y el cabello que se haya acumulado.
- Si no, puede utilizarse aire comprimido, similar a lo que se utiliza para un teclado de computadora, para limpiar el filtro. Asegúrese de seguir las instrucciones del recipiente de aire comprimido para evitar daños o lesiones personales.

## CUIDADOS Y LIMPIEZA ASECUADA DEL REFRIGERADOR DEL VINO

### Limpieza y Mantenimiento



**Advertencia:** Para evitar una descarga eléctrica siempre desenchufe su refrigerador del vino antes de limpiarlo. El ignorar esta advertencia puede causar esiones o la muerte.



**Precaución:** Antes de usar productos de limpieza, siempre lea y siga las instrucciones y advertencias del fabricante para evitar lesiones personales o daños producto.

#### El General:

- Si se ha juntado agua en la bandeja de goteo de la parte posterior de la unidad, descarte el agua y reinserte la bandeja de goteo en el soporte.
- Prepare una solución de limpieza de 3-4 cucharadas de bicarbonato de sodio mezclados con agua tibia. Use una esponja o un trapo suave, humedecidos con la solución de limpieza, para su refrigerador del vino.
- Enjuague con limpia tibia y seque con un trapo suave.
- No use químicos fuertes, abrasivos, amoníaco, cloro, detergentes concentrados, disolventes o estropajos metálicos. ALGUNOS de estos químicos pueden disolver, dañar y/o decolorar su refrigerador del vino.

### Interrupciones de Energía

- Pueden ocurrir ocasionalmente interrupciones de energía debido a tormentas eléctricas u otras causas. Desenchufe el cable eléctrico del tomacorriente de corriente alterna cuando ocurra una interrupción en el sistema eléctrico. Cuando la electricidad haya regresado, vuelva a conectar el cable eléctrico a un tomacorriente de corriente alterna.

### Vacaciones y Mudanza

- Para las vacaciones o las ausencias largas, desenchufe el refrigerador del vino y limpie las juntas del refrigerador y de la puerta del vino según la sección de la "Limpieza General". Mantenga las puertas abiertas para que el aire pueda circular en el interior. Al mudarse, siempre traslade el refrigerador del vino verticalmente. No lo traslade con la unidad colocada horizontalmente. Pudiera ocurrir un posible daño el sistema sellado.

## VERIFICACION DE PROBLEMAS

### **El Refrigerador de Vino no Funciona:**

- Revise que el refrigerador del vino esté conectado.
- Revise que haya corriente eléctrica en el tomacorriente de corriente alterna, revisando el interruptor de circuito.

### **El Vino Aparece Demasiado Caliente:**

- Apertura constante de la puerta.
- Dé un plazo de la hora para el vino recientemente agregado de alcanzar temperatura deseada.
- Revise que los empaques estén bien sellados.
- Limpie el serpentín del condensador.
- Ajuste el control de temperatura al ajuste más frío.
- Limpie el filtro del ventilador.

### **El Vino Aparece Demasiado Frío:**

- Si la configuración del control de la temperatura es demasiado fría, ajuste a una configuración más caliente.

### **Acumulación de humedad en el interior o exterior del refrigerador del vino:**

- Esto es normal durante periodos de alta humedad.
- Apertura constante o prolongada de la puerta.
- Revise que los empaques de la puerta estén bien sellados.

### **La puerta del refrigerador del vino no funciona:**

- Nivele el refrigerador del vino.
- Controle para saber si hay obstrucciones tales como botellas y estantes del vino.

## GARANTIA LIMITADO

### ¿Qué está cubierto y por cuánto tiempo?

Esta garantía cubre cualquier defecto en la manufactura o empleo de materiales por un plazo de:

**12 meses de mano de obra**  
**12 meses en componentes**

La garantía comienza en la fecha de compra del artículo, y la factura original de compra debe presentarse al centro de servicio autorizado para poder efectuar cualquier reparación que esté bajo garantía

### **EXCEPCIONES: Garantía por Uso Comercial o Bajo Arrendamiento**

**90 meses en mano de obra**  
**(únicamente en taller)**

**90 días en componentes**

**Ninguna otra garantía es válida**

### ¿Qué está cubierto?

1. Los componentes mecánicos y eléctricos que cumplen con alguna función de este aparato durante un plazo de 12 meses. Esto incluye cualquier componente con excepción de acabados y molduras.

### ¿Qué se hará?

1. Repararemos o reemplazaremos, a discreción nuestra, cualquier componente mecánico o eléctrico que se muestre defectuoso por uso normal durante el plazo así especificado.
2. No habrá cargos para el comprador por las partes y la mano de obra en cualesquier artículos cubiertos durante el periodo inicial de 12 meses.
3. Localice su centro de servicio autorizado más cercano. Para conocer el nombre del centro de servicio más próximo a su domicilio, por favor llame al 1-877-337-3639 (Válido solo en E.U.A).

### **ESTA GARANTIA CUBRE APARATOS DENTRO DEL TERRITORIO CONTINENTAL DE LOS ESTADOS UNIDOS, PUERTO RICO Y CANADÁ.**

Daños por instalación inadecuada

Daños por transportación.

Defectos que no sean por manufactura

Daños por negligencia, abuso, accidente, alteración, falta de cuidado adecuado y de mantenimiento, o conexión a tensión eléctrica incorrecta.

Daños que no sean por uso doméstico.

Daños por servicio que no sea proporcionado a través de un distribuidor o centro de servicio autorizado. Molduras decorativas o focos reemplazables.

Envío y transportación.

Mano de obra (después de los primeros 12 meses).

**ESTA GARANTIA LIMITADA ES PROVISTA EN SUSTITUCION A CUALQUIER OTRA GARANTIA EXPRESADA O QUE IMPLIQUE LAS GARANTIAS MERCANTILES SUJETAS A CIERTO PROPOSITO.**

El amparo provisto por esta garantía es de uso exclusivo y se otorga en sustitución a cualquier otro amparo.

Esta garantía no cubre daños incidentales o sus derivados, por lo que las anteriores restricciones pueden serle ajenas. En ciertos estados no se permiten restricciones en lo que se refiere a la duración implícita de una garantía, por lo que las anteriores restricciones pueden serle ajenas.

Esta garantía le otorga ciertos derechos legales y es posible que usted goce de otros derechos, los cuales varían de estado a estado.

Haier America  
New York, NY 10018

# IMPORTANT

## Do Not Return This Product To The Store

If you have a problem with this product, please contact  
the "Haier Customer Satisfaction Center" at 877.337.3639.

DATED PROOF OF PURCHASE REQUIRED FOR WARRANTY SERVICE

# IMPORTANT

## Ne pas Réexpédier ce Produit au Magasin

Pour tout problème concernant ce produit, veuillez contacter le service des  
consommateurs "Haier Customer Satisfaction Center" au 1-877-337-3639.

UNE PREUVE D'ACHAT DATEE EST REQUISE POUR BENEFICIER DE LA GARANTIE

# IMPORTANTE

## No regrese este producto a la tienda

Si tiene algún problema con este producto, por favor contacte  
el "Centro de Servicio al Consumidor de Haier" al

1-877-337-3639 (Válido solo en E.U.A).

NECESITA UNA PRUEBA DE COMPRA FECHADA PARA EL SERVICIO DE LA GARANTIA

# Haier®

Made in China  
Fabriqué en Chine  
Hecho en China

Haier America  
New York, NY 10018

Printed in China



## Free Manuals Download Website

<http://myh66.com>

<http://usermanuals.us>

<http://www.somanuals.com>

<http://www.4manuals.cc>

<http://www.manual-lib.com>

<http://www.404manual.com>

<http://www.luxmanual.com>

<http://aubethermostatmanual.com>

Golf course search by state

<http://golfingnear.com>

Email search by domain

<http://emailbydomain.com>

Auto manuals search

<http://auto.somanuals.com>

TV manuals search

<http://tv.somanuals.com>