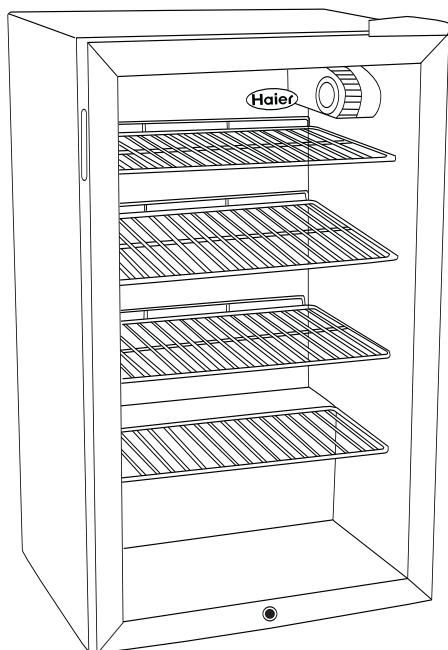


Beverage Center

Centre de Boisson

Refrigerador de Bebidas



User Manual
HC125FVS

Guide de l'Utilisateur
HC125FVS

Manual del Usuario Modelo
HC125FVS

Haier

Quality · Innovation · Style

SAFETY PRECAUTIONS

Read all of the instructions before using this appliance. When using this appliance, always exercise basic safety precautions, including the following:

- 1) Use this appliance only for its intended purpose as described in this use and care guide.
- 2) This beverage center must be properly installed in accordance with the installation instructions before it is used. See grounding instructions in the installation section.
- 3) Never unplug your beverage center by pulling on the power cord. Always grasp the plug firmly and pull straight out from the outlet.
- 4) Repair or replace immediately, all electric service cords that have become frayed or otherwise damaged. Do not use a cord that shows cracks or abrasion damage along its length, the plug or the connector end.
- 5) Unplug your beverage center before cleaning or before making any repairs. **Note: If for any reason this product requires service, we strongly recommend that a certified technician performs the service.**
- 6) If your old beverage center is not being used, we recommend that you remove the doors and leave the shelves in place. This will reduce the possibility of danger to children.
- 7) This beverage center should not be recessed or built-in an enclosed cabinet. It is designed for freestanding installation only.
- 8) Do not operate your beverage center in the presence of explosive fumes.

SAVE THESE INSTRUCTIONS

For Future Reference

DANGER

Risk of child entrapment. Before you throw away your old beverage center, take off the doors. Leave the shelves in place so that children may not easily climb inside.

Thank you for using our Haier product. This easy-to-use manual will guide you in getting the best use of your beverage center.

Remember to record the model and serial number. They are on a label in back of the beverage center.

Model number

Serial number

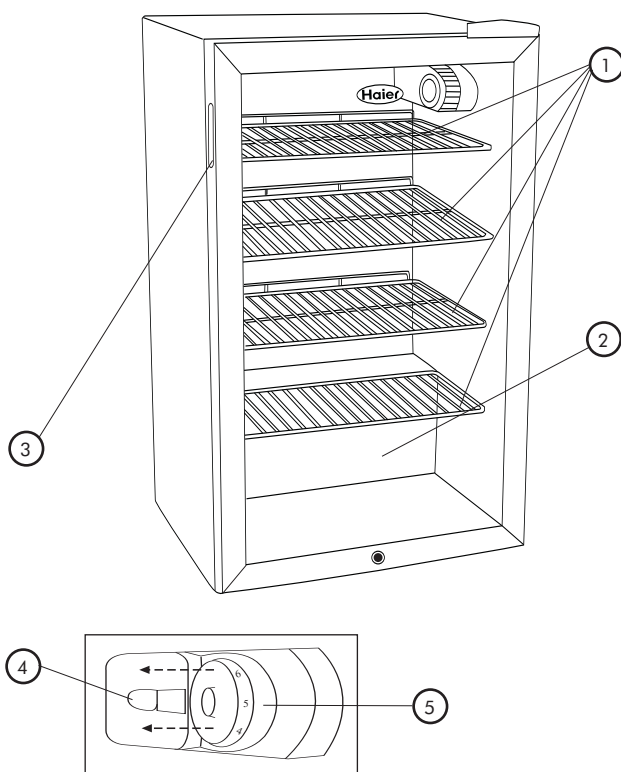
Date of purchase

Staple your receipt to your manual. **You will need it to obtain warranty service.**

Table Of Contents

	PAGE
Safety Precautions	1
Parts And Features	4
Installing Your Beverage Center	5
Unpacking Your Beverage Center	5
Leveling Your Beverage Center	5
Proper Air Circulation	5
Electrical Requirements	6
Use of Extension Cords	6
Install Limitations	6
Door Alignment	7
Door Reversall	8
Beverage Center Features And Use	10
General Features	10
Beverage Center Interior Shelves	10
Light	11
Lock and Key	12
Normal Operating Sounds	12
Proper Beverage Center Care and Cleaning	13
Cleaning and Maintenance	13
Power Interruptions	14
Vacation and Moving Care	14
Troubleshooting	15
Warranty Information	16

Parts And Features



- | | |
|-----------------------------|------------------------|
| 1. Full-Width Storage Shelf | 4. Interior Light |
| 2. See-through Glass Door | 5. Temperature Control |
| 3. Recessed Handle | |

Installing Your Beverage Center

Unpacking Your Beverage Center

1. Remove all packaging material. This includes the foam base and all adhesive tape holding the beverage center accessories inside and outside.
2. Inspect and remove any remains of packing, tape or printed materials before powering on the beverage center.

Leveling Your Beverage Center

- Your beverage center has leveling legs which are located at the bottom of your beverage center. After properly placing your beverage center in its final position, you can level your beverage center.
- Leveling legs can be adjusted by turning them clockwise to raise your beverage center or by turning them counterclockwise to lower your beverage center. The beverage center door will close easier when the leveling legs are extended.
- Also, there is an adjustable support for the lower door hinge. (see fig.4) After leveling the Beverage Center, adjust the hinge support, up or down as needed until it rests on the surface on which that unit is placed.

Proper Air Circulation

- To assure your beverage center works at the maximum efficiency it was designed for, you should install it in a location where there is proper air circulation and electrical connections.
- The following are recommended clearances around the beverage center:

Sides.....3/4 "(19mm)
Top.....2" (50mm)
Back.....2" (50mm)

Electrical Requirement

- Make sure there is a suitable power Outlet (115 volts, 15 amps outlet) with proper grounding to power the beverage center.
- Avoid the use of three plug adapters or cutting off the third grounding in order to accommodate a two plug outlet. This is a dangerous practice since it provides no effective grounding for the beverage center and may result in shock hazard.

Use of Extension Cords

- Avoid the use of an extension cord because of potential safety hazards under certain conditions. If it is necessary to use an extension cord, use only a 3-wire extension cord that has a 3-blade grounding plug and a 3-slot outlet that will accept the plug. The marked rating of the extension cord must be equal to or greater than the electrical rating of the appliance.

Install Limitations

- Do not install your beverage center in any location not properly insulated or heated e.g. garage etc. Your beverage center was not designed to operate in temperature settings below 55° Fahrenheit.
- Select a suitable location for the beverage center on a hard even surface away from direct sunlight or heat source e.g. radiators, baseboard heaters, cooking appliances etc. Any floor unevenness should be corrected with the leveling legs located at the bottom.

Door Alignment (see fig. # 1)

1. Remove hinge cover screw.
2. Remove the top hinge cover.
3. Loosen the top hinge screws using a Phillips Head Screwdriver.
4. Adjust the door or put a spacer in between and then tighten the screws.
5. Replace the top hinge cover.

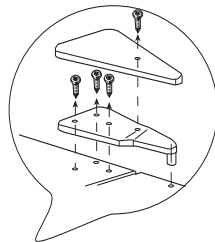
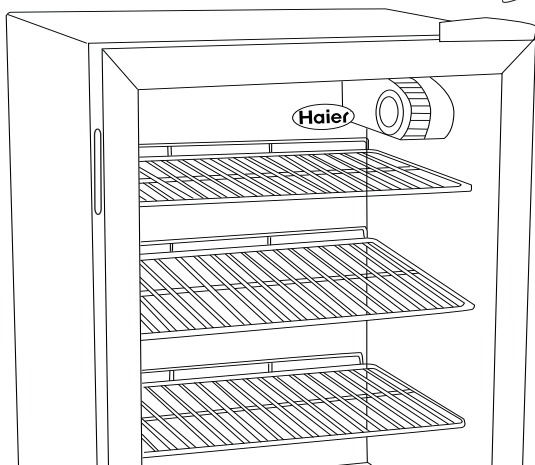


fig. # 1



Reversing the Door Hinge

1. Remove the top hinge cover screw and then remove the top hinge cover. (see fig. # 1)
2. Using a Phillips Head Screwdriver, loosen and remove the screws holding the top hinge in place. (see fig. # 1)
3. Remove the top hinge and carefully lift off the door.
4. Remove the screw hole plug from the opposite side and insert the plug in the screw hole openings of the just removed screws. (see fig. # 2)
5. Unscrew the door pin from the bracket of the lower hinge by turning counter clockwise. Move the pin to the opposite hole and tighten. (see fig. # 3) Tilt unit slightly towards back and remove the lower hinge support. (see fig. # 4)
6. Loosen the screws holding the lower hinge bracket and remove the hinge.(see fig. # 3)
7. Align the holes in the lower hinge bracket to the corresponding holes in the opposite side of the cabinet. Insert and tighten the screws.(see fig. # 3) Tilt unit slightly back to replace the lower hinge support. Adjust up or down as needed until it is just touching the surface on which that unit is placed. (see fig. # 4)
8. Align the bottom hole on the left side of the door with the pin of the lower hinge and slide into place.

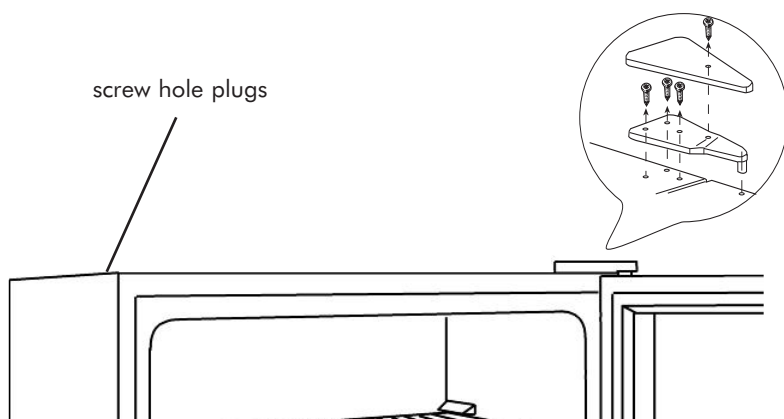
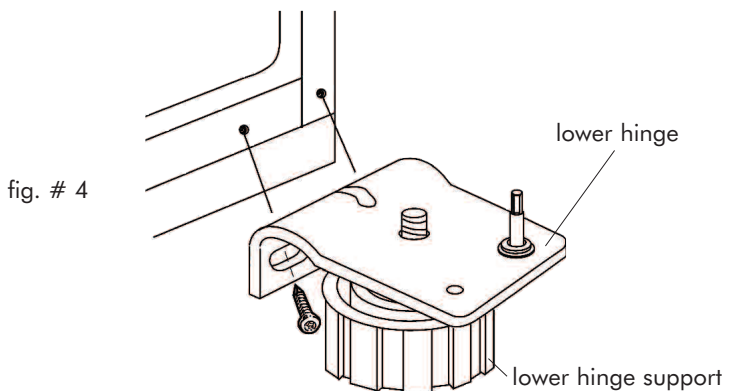
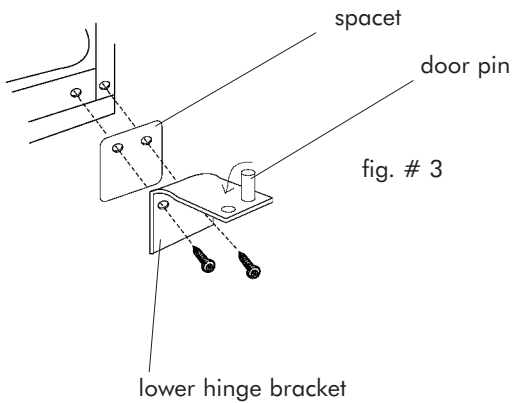


fig. # 2

9. Align the pin of the top hinge with top hole on the left side of the door and push into place. Replace the screws in the upper hinge bracket but do not tighten all the way. (see fig. # 1)
10. Make sure the door closes easily but forms a tight seal. Adjust the door as needed. Once you are satisfied with the door alignment, completely tighten the upper door hinge screws.
11. Replace the hinge cover, insert the screw and tighten completely. (see fig. # 1)
12. If the door does not close properly, refer to the section titled "Door Alignment".



Beverage Center Features And Use

General Features

Adjustable temperature dial:

Your beverage center will automatically maintain the temperature level you select. The temperature control dial has 7 settings plus off. 1 is the warmest. 7 is the coldest. Turning the dial to OFF stops cooling in the beverage center. At first, set the dial to 4 and allow 24 hours to pass before adjusting the temperature to your needs.

(Note: If the beverage center has been placed in a horizontal or tilted position for any period of time wait 24 hours before plugging the unit in.)

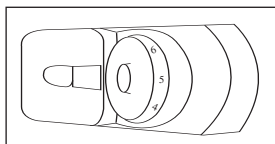


fig. # 5

located on interior of unit on right side

Beverage Center Interior Shelves

To remove or replace a full-width slide-out shelf:

(see fig. # 6)

1. Gently tilt the shelf up and slide forward until the shelf has been completely removed.
2. To replace the shelf, gently slide the shelf back.

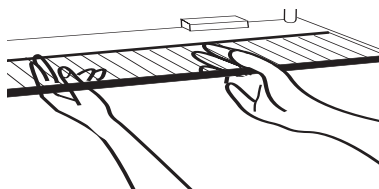
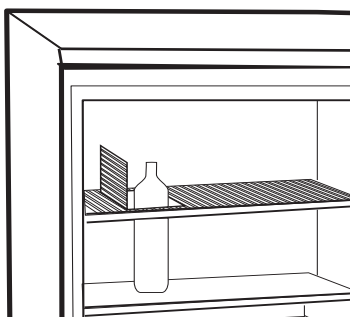


fig. # 6

To use the interior flip shelf: (see fig. # 7)

1. Simply flip the shelf as shown in the diagram. This is designed to give you extra storage for tall bottles.

fig. # 7



Light

- To replace burnt-out bulbs, remove the temperature control knob by pulling it out (see fig. # 8a). Carefully pull the plastic light cover to the left and remove. Unscrew the bulb and replace it with a new one (use bulbs of 15 watts or less). To replace cover, insert the back slots into the casing (see fig. # 8b). Align the front and push the control knob back in.

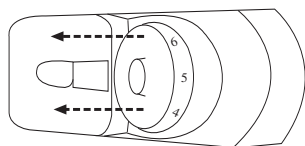


fig. # 8a

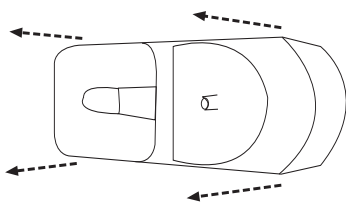
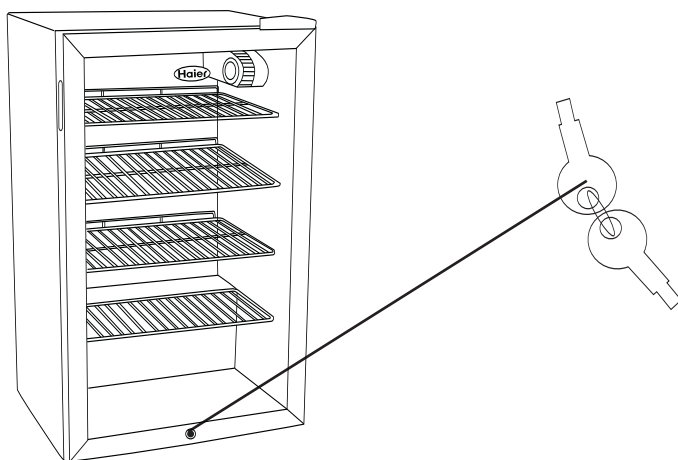


fig. # 8b

Lock and Key

- Your beverage center is equipped with a lock and key (located at the bottom center of the door) for optional security, should you choose. Simply close the beverage center door, insert the key and turn. To open, insert the key and turn in the opposite direction.



Normal Operating Sounds You May Hear

- Boiling water, gurgling sounds or slight vibrations that are the result of the refrigerant circulating through the cooling coils.
- The thermostat control will click when it cycles on and off.

Proper Beverage Center Care and Cleaning

Cleaning and Maintenance

Warning: To avoid electric shock always unplug your beverage center before cleaning. Ignoring this warning may result in death or injury.

Caution: Before using cleaning products, always read and follow manufacturer's instructions and warnings to avoid personal injury or product damage.

General:

- Prepare a cleaning solution of 3-4 tablespoons of baking soda mixed with warm water. Use sponge or soft cloth, dampened with the cleaning solution, to wipe down your beverage center.
- Rinse with clean warm water and dry with a soft cloth.
- Do not use harsh chemicals, abrasives, ammonia, chlorine bleach, concentrated detergents, solvents or metal scouring pads. SOME of these chemicals may dissolve, damage and/or discolor your beverage center.

Door Gaskets:

- Clean door gaskets every three months according to general instructions. Gaskets must be kept clean and pliable to assure a proper seal.
- Petroleum jelly applied lightly on the hinge side of gaskets will keep the gasket pliable and assure a good seal.

Rear Condensor Coil:

- Every 12 months, using either a soft bristle brush or vacuum cleaner, clean dust, which has accumulated on the coil. This will aid in the efficient operation of your unit.

Power Interruptions

- Occasionally there may be power interruptions due to thunderstorms or other causes. Remove the power cord from AC outlet when a power outage occurs. When power has been restored, replug power cord to AC outlet.

Vacation and Moving Care

- For long vacations or absences, empty contents from beverage center, move the temperature DIAL to the OFF position and clean the beverage center and door gaskets according to "General cleaning" section. Prop doors open, so air can circulate inside. When moving always move the beverage center vertically. Do not move with the unit lying down. Possible damage to the sealed system could occur.

Troubleshooting

Beverage Center Does Not Operate

- Check if thermostat control is not in the "OFF" position.
- Check if beverage center is plugged in.
- Check if there is power at the ac outlet, by checking the circuit breaker.

Temperature appears too warm

- Frequent door openings.
- Allow time for recently added beverages to reach proper temperature.
- Check gaskets for proper seal.
- Adjust temperature control to cooler setting.

Temperature is too cold

- If temperature control setting is too cold, adjust to a warmer setting and allow several hours for temperature to adjust.

Beverage Center runs too frequently

- This may be normal to maintain constant temperature during high temperature and humid days.
- Doors may have been opened frequently or for an extended period of time.
- Check gasket for proper seal.
- Check to see if doors are completely closed.

Moisture build up on interior or exterior of the beverage center:

- This is normal during high humidity periods.
- Prolonged or frequent door openings.
- Check door gaskets for proper seal.

Beverage Center door does not shut properly:

- Level the beverage center.
- Re-align beverage center door.
- Check for blockages.

Limited Warranty

What is covered and for how long?

This warranty covers all defects in workmanship or materials for a period of:

12 months labor (carry in only)

12 months parts

5 years sealed system

The warranty commences on the date the item was purchased and the original purchase receipt must be presented to the authorized service center before warranty repairs are rendered.

EXCEPTIONS: Commercial or Rental Use warranty

90 days labor (carry-in only)

90 days parts

No other warranty applies

What is covered.

1. The mechanical and electrical parts, which serve as a functional, purpose of this appliance for a period of 12 months. This includes all parts except finish, and trim.
2. The components of the sealed system e.g. hermetic compressor, condenser and evaporator from manufacturing defects for a period of 5 years from the date of purchase. Any damages to such components caused by mechanical abuse or improper handling or shipping will not be covered.

What will be done?

1. Any mechanical or electrical part that proves to be defective in normal usage during the specified warranty period will be repaired or replaced at Haier's discretion.

A&E factory service is the authorized service provider for Haier. If it is determined that repair is not appropriate or replacement part is unavailable for repair, Haier will exchange the product with a refurbished or new product the same or similar to the original at its discretion.

2. There will be no charge to the purchaser for functional replacement parts and labor on any covered items during the initial 12- month period. Beyond this period, only the components of the sealed system are covered, labor is not provided and must be paid for by the customer.
3. To have your product serviced, please contact Haier customer service 1-877-337-3639.

THIS WARRANTY COVERS APPLIANCES WITHIN THE CONTINENTAL UNITED STATES, PUERTO RICO AND CANADA. IT DOES NOT COVER THE FOLLOWING:

Damages from improper installation.
 Damages in shipping.
 Defects other than manufacturing.
 Damage from misuse, abuse, accident, alteration, lack of proper care and maintenance or incorrect current or voltage.
 Damage from other than household use.
 Damage from service by other than an authorized dealer or service center.
 Decorative trims or replaceable light bulbs.
 Transportation and shipping.
 Labor (after the initial 12 months).
THIS LIMITED WARRANTY IS GIVEN IN LIEU OF ALL OTHER WARRANTIES, EXPRESSED OR, INCLUDING THE WARRANTIES OF MERCHANTABILITY AND FITNESS FOR A PARTICULAR PURPOSE

The remedy provided in this warranty is exclusive and is granted in lieu of all other remedies.

This warranty does not cover incidental or consequential damages, so the above limitations may not apply to you. Some States do not allow limitations on how long an implied warranty lasts, so the above limitations may not apply to you.

This warranty gives you specific legal rights, and you may have other rights, which vary, from state to state.

Haier America
 New York, NY 10018

MESURES DE SÉCURITÉ

Lisez attentivement toutes les instructions avant d'utiliser cet appareil. Lors de son utilisation, suivez toutes les mesures de sécurité élémentaires, y compris les mesures suivantes:

- 1) N'utiliser cet appareil que conformément à ce manuel d'utilisation et d'entretien.
- 2) Avant son utilisation, cet appareil doit être installé conformément aux instructions d'installation. Voir les instructions relatives au branchement dans la section sur l'installation.
- 3) Ne jamais débrancher votre minibar en tirant sur le câble d'alimentation. Toujours serrer fermement la fiche puis la retirer de la prise en la maintenant bien droite.
- 4) Réparer ou remplacer immédiatement tous les câbles électriques usés ou endommagés. Ne pas utiliser de cordon d'alimentation présentant des craquelures ou des dommages dus à des frottements sur le câble lui-même, sur la fiche ou sur le connecteur.
- 5) Débrancher le minibar avant de le nettoyer et avant toute réparation.
Remarque: si, pour une quelconque raison, vous devez faire réparer cet appareil, nous vous conseillons vivement de faire appel à un technicien agréé.
- 6) Si votre ancien minibar n'est plus utilisé, nous vous recommandons de retirer les portes et de laisser les étagères en place. Cela réduira les risques d'accident pour les enfants.
- 7) Ce minibar ne doit pas être renfermé ni encastré. Il est conçu pour être utilisé sur pied.
- 8) Ne jamais utiliser le minibar en présence de gaz explosifs.

**VEUILLEZ CONSERVER CES INSTRUCTIONS
afin de pouvoir les consulter en cas de besoin**

DANGER

Cet appareil présente un risque d'enfermement pour les enfants. Avant de vous débarrasser de votre ancien minibar, veuillez enlever les portes. Laissez les étagères en place afin que les enfants ne puissent pas grimper à l'intérieur.

Merci d'utiliser un produit Haier. Suivez ce manuel d'instruction simple d'utilisation pour obtenir le maximum de votre minibar.

N'oubliez pas d'enregistrer les numéros de modèle et de série. Ils se trouvent sur une étiquette à l'arrière de votre minibar.

Numéro de modèle

Numéro de série

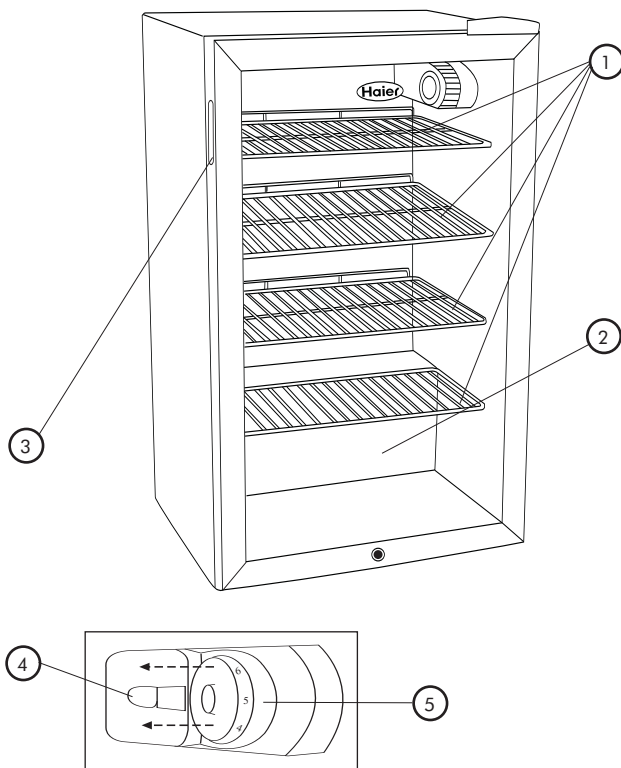
Date d'achat

Veillezagrafer votre facture avec votre manuel. **Vous en aurez besoin pour bénéficier de la garantie.**

Table des Matières

	PAGE
Mesures de Sécurité	1
Pièces et Caractéristiques	4
Installation de votre Minibar	5
Déballage de votre minibar	5
Mise à niveau de votre minibar	5
Circulation de l'air	5
Spécifications électriques	6
Utilisation de rallonges	6
Restrictions à l'installation	6
Alignement de la porte	7
Inversion de la porte	7
Caractéristiques et Utilisation du Minibar	9
Caractéristiques générales.....	9
Étagères intérieures du minibar	9
Eclairage	10
Serrure et Clé	11
Bruits de fonctionnement normaux.....	11
Entretien et Nettoyage du Minibar	12
Entretien et nettoyage	12
Coupures de courant	13
Conseils en cas d'absence et de déménagement	13
Diagnostic des Pannes	14
Garantie	15

Pièces et Caractéristiques



- | | |
|--|-------------------------------|
| 1. Étagère de rangement sur toute la largeur | 4. Lumière intérieure |
| 2. Porte vitrée transparente | 5. Contrôle de la température |
| 3. Poignée | |

Installation de Votre Minibar

Déballage de Votre Minibar

1. Enlever tous les matériaux d'emballage. Cela comprend la base en mousse ainsi que les bandes de ruban adhésif servant à maintenir en place les accessoires intérieurs et extérieurs du minibar.
2. Veiller à ce qu'il ne reste aucune partie de l'emballage, aucun ruban adhésif ni aucun document sur ou dans l'appareil avant de le mettre sous tension.

Mise à Niveau de Votre Minibar

- Votre minibar possède des pieds réglables situés en bas de l'appareil. Après avoir trouvé un emplacement pour votre minibar et l'avoir positionné, il vous est possible de le mettre à niveau.
- Les pieds de mise à niveau peuvent être réglés en les tournant dans le sens des aiguilles d'une montre pour lever l'appareil et dans le sens inverse pour abaisser l'appareil. La porte de votre minibar se fermera plus facilement si les pieds sont réglés plus hauts.
- Il existe également un support réglable pour la charnière inférieure de la porte (voir le schéma figure 5). Après avoir mis le minibar à niveau, régler le support de la charnière vers le haut ou vers le bas de manière à ce qu'il repose sur la surface sur laquelle est placé l'appareil.

Circulation de l'air

- Afin de s'assurer que le minibar fonctionne au mieux de ses capacités, installer l'appareil dans un endroit où l'air circule suffisamment et à proximité d'une prise électrique.
- Il est recommandé de laisser les espaces suivants autour de l'appareil:

Côtés	19 mm (3/4 ")
Haut	50 mm (2")
Arrière	50 mm (2")

Spécifications Electriques

- S'assurer qu'une prise électrique adéquate (115 volts, 15 ampères) et reliée à la terre se trouve à proximité de l'appareil pour pouvoir le brancher.
- Éviter d'utiliser une multiprise ou de couper la broche terre afin de faire entrer la fiche dans une prise électrique à 2 broches. Il s'agit là d'une pratique dangereuse qui n'offre aucune mise à la masse pour votre minibar et peut donc provoquer des électrocutions.

Utilisation de Rallonges

- Éviter d'utiliser une rallonge électrique car, dans certains cas, cela peut entraîner des risques pour la santé. S'il est nécessaire d'utiliser une rallonge, utiliser uniquement une rallonge possédant une fiche male à deux broches plus terre à une extrémité et une prise femelle de même type à l'autre extrémité. La capacité électrique de la rallonge doit être égale ou supérieure à la capacité de l'appareil.

Restrictions à l'installation

- Ne pas installer votre minibar dans un endroit insuffisamment isolé ou chauffé (ex. un garage, etc.). Cet appareil n'a pas été conçu pour fonctionner à une température inférieure à 12,5°C.
- Choisir pour votre minibar un emplacement approprié sur une surface ferme et plane, protégé des rayons directs du soleil ou des sources de chaleur comme les radiateurs, les plinthes électriques, les appareils de cuisine, etc. Toute inégalité du sol doit être corrigée grâce aux pieds de réglage situés sous l'appareil.

Alignement de la Porte (voir le schéma Fig. 1)

1. Retirer la vis du couvercle de la charnière.
2. Déposer le couvercle de la charnière supérieure.
3. Desserrer les vis de la charnière supérieure à l'aide d'un tournevis Phillips.
4. Ajuster la porte ou placer une cale au besoin puis resserrer les vis.
5. Remettre en place le couvercle de la charnière supérieure.

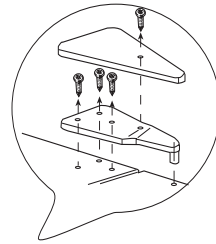
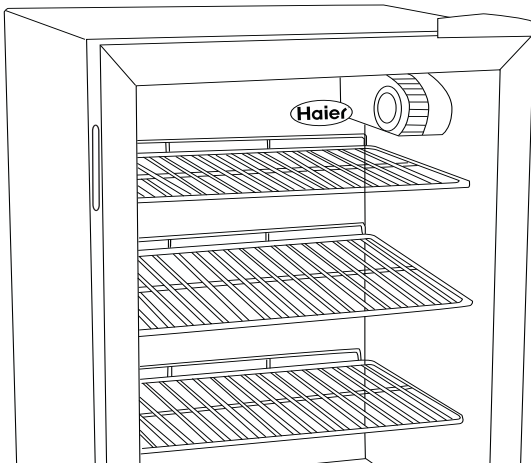


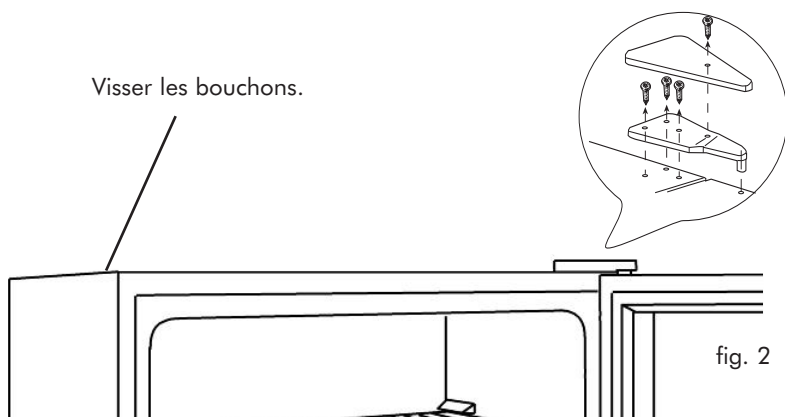
Fig. 1



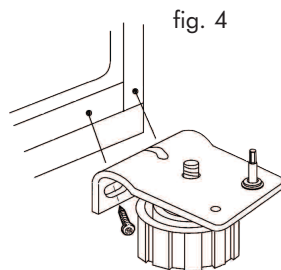
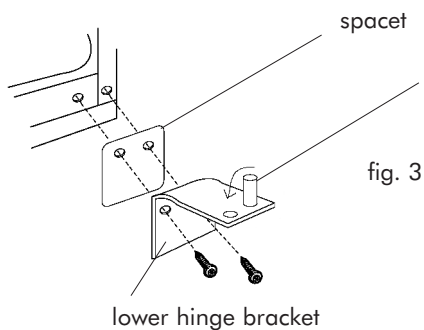
Inversion des Charnières de la Porte

1. Retirer les vis du couvercle de la charnière supérieure puis déposer celui-ci (voir le schéma fig. 1).
2. À l'aide d'un tournevis Phillips, desserrer puis déposer les vis qui maintiennent en place la charnière supérieure (voir le schéma fig. 1).
3. Déposer la charnière supérieure puis soulever légèrement la porte et la retirer avec précaution.
4. Déposer les bouchons recouvrant les orifices des vis du côté opposé puis les insérer dans les orifices laissés par les vis qui viennent d'être retirées (voir le schéma fig. 2).
5. Retirer la broche de la porte de la fixation de la charnière inférieure en la dévissant dans le sens contraire des aiguilles d'une montre. Introduire la broche dans l'orifice opposé et la serrer (voir le schéma fig. 3). Faire légèrement basculer l'appareil vers l'arrière puis déposer le support de la charnière inférieure.

6. Desserrer les vis qui maintiennent en place la fixation de la charnière inférieure puis déposer la charnière (voir le schéma fig. 3).
7. Aligner les orifices présents sur la fixation de la charnière inférieure avec les orifices correspondants de l'autre côté de l'appareil. Poser puis serrer les vis (voir le schéma fig. 3). Faire légèrement basculer l'appareil vers l'arrière pour remettre en place le support de la charnière inférieure. Régler vers le haut ou le bas afin que le support soit en contact avec la surface sur laquelle repose l'appareil.
8. Aligner l'orifice inférieur situé sur le côté gauche de la porte avec la broche de la charnière inférieure puis faire glisser la porte.



9. Aligner la broche de la charnière supérieure avec l'orifice situé sur le côté gauche de la porte puis pousser celle-ci pour la mettre en place. Poser les vis du support de la charnière supérieure mais ne pas les serrer jusqu'au bout (voir le schéma fig. 1).
10. S'assurer que la porte ferme sans forcer tout en veillant à ce que le joint soit bien hermétique. Ajuster la porte au besoin. Si l'alignement de la porte est satisfaisant, serrer complètement les vis de la charnière supérieure.
11. Remettre en place le couvercle de la charnière, poser la vis et la serrer complètement (voir le schéma fig. 1).
12. Si la porte ne ferme pas bien, se reporter à la section intitulée Alignement de la porte.



Caractéristiques et Utilisation du Minibar

Caractéristiques générales

Bouton de réglage de la température: (l'emplacement varie par le modèle)

Votre minibar maintiendra automatiquement la température que vous aurez sélectionnée. Outre la position OFF, le bouton de réglage de la température possède 7 positions. 1 correspond à la température la plus chaude et 7 à la température la plus froide. Mettre l'appareil en position OFF

interrompt le refroidissement de votre minibar. Mettre tout d'abord le bouton en position 4 puis attendre 24 heures avant de régler la température à vos besoins.

(Remarque : si le minibar a été placé en position horizontale ou penchée, ne serait-ce qu'un instant, attendre 24 heures avant de le brancher.)

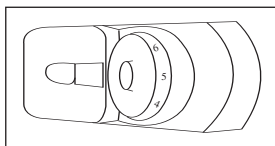


fig. 5

situé à l'intérieur de l'appareil, sur le côté droit

Étagères intérieures du minibar

Pour enlever ou remettre en place une étagère de rangement coulissante: (Voir le schéma fig. 6)

1. Soulever légèrement l'étagère et la faire glisser vers soit jusqu'à extraction complète.
2. Pour remettre en place l'étagère, la faire doucement glisser à sa place.

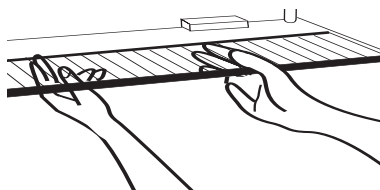


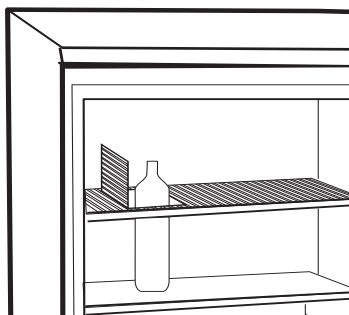
fig. 6

Utilisation de l'étagère à bascule:

(Voir le schéma fig. 7)

1. Faire simplement basculer l'étagère, comme indiqué sur le schéma. Cela a été prévu pour vous donner plus d'espace pour les grandes bouteilles.

fig. 7



Éclairage

- Pour remplacer une ampoule grillée, déposer le bouton de réglage de la température en tirant dessus (voir le schéma fig. 8a). Tirer doucement la protection de plastique vers la gauche puis la déposer. Dévisser l'ampoule puis la remplacer par une ampoule neuve (utiliser uniquement des ampoules de 15 watts maximum). Pour remettre en place la protection, insérer les rainures noires dans le boîtier (voir le schéma fig. 8b). Aligner la partie frontale et remettre le bouton de réglage en place en appuyant dessus.

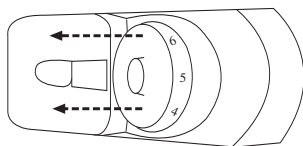


fig. 8a

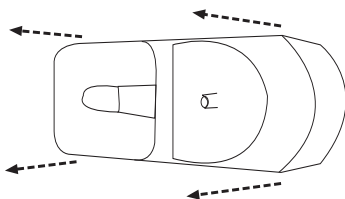
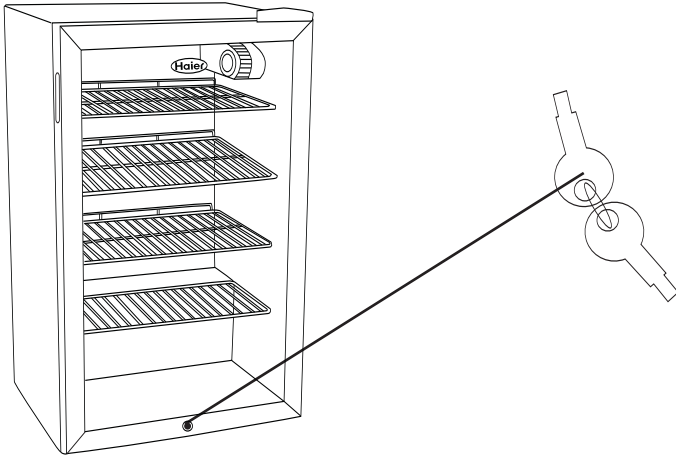


fig. 8b

Serrure et clé

- Votre centre de boisson est équipé d'une serrure et d'une clé (situées au centre inférieur de la porte) pour la sécurité facultative, si vous choisissez. Fermez simplement la porte de centre de boisson, insérez la clé et tournez. Pour.



Bruits de Fonctionnement Normaux que Vous Pouvez Entendre

- Les bruits d'eau qui bout, les gargouillements ou les légères vibrations proviennent du fluide frigorigène qui circule à travers la grille de refroidissement.
- Le bouton de thermostat émet un clic lorsqu'il s'allume ou qu'il s'éteint.

Entretien et Nettoyage du Minibar

Entretien et nettoyage

Avertissement: Afin d'éviter tout risque d'électrocution, toujours débrancher votre minibar avant de le nettoyer. Ignorer cet avertissement peut provoquer des blessures mortelles.

Attention: Avant d'utiliser tout produit d'entretien, toujours lire attentivement et suivre les recommandations du fabricant quant à son utilisation afin d'éviter tout risque de blessure ou de détérioration de l'appareil.

- Généralités:**
- Préparer une solution de nettoyage composée de 3 - 4 cuillers à café de bicarbonate de sodium mélangé à de l'eau chaude. À l'aide d'une éponge ou d'un chiffon doux trempé dans cette solution, nettoyer le minibar.
 - Rincer avec de l'eau chaude et propre puis essuyer avec un chiffon doux.
 - Ne jamais utiliser des produits abrasifs, de l'ammoniaque domestique, de l'eau de Javel, des détergents concentrés, des dissolvants ou une éponge à récuser en métal. CERTAINS de ces produits chimiques peuvent dissoudre, détériorer et/ou décolorer votre minibar.

- Joints de la porte:**
- Nettoyer les joints de la porte tous les trois mois conformément aux instructions générales. Les joints doivent rester propres et souples pour assurer une parfaite étanchéité.
 - Un lubrifiant à base de pétrole appliqué légèrement sur le côté charnière des joints permettra de conserver leur élasticité et de s'assurer qu'ils resteront bien hermétiques.

- Grille du condenseur:**
- Tous les 12 mois, à l'aide d'une brosse souple en nylon ou d'un aspirateur, retirer la poussière qui s'est accumulée sur la grille du condenseur. Cela permettra à votre appareil de fonctionner plus efficacement.

Coupures de Courant

- Il se peut que l'électricité soit occasionnellement coupée à cause d'orages ou pour d'autres raisons. Le cas échéant, débranche l'appareil. Le rebrancher une fois l'électricité rétablie.

Conseils en cas d'absence et de Déménagement

- Lors de vacances ou d'absences prolongées, vider le contenu de votre minibar, mettre le bouton du thermostat en position OFF puis nettoyer l'appareil et les joints conformément aux instructions de la section « Généralités » de la rubrique « Entretien et nettoyage ». Ouvrir ensuite les portes afin que l'air puisse circuler à l'intérieur. Lors d'un déménagement de l'appareil, toujours le déplacer à la verticale. Ne jamais le déplacer en position horizontale, cela pourrait endommager le système frigorifique.

Diagnostic des Pannes

Le minibar ne fonctionne pas:

- Vérifier que le bouton de thermostat n'est pas en position "OFF".
- Vérifier que le minibar est branché.
- S'assurer que la prise électrique est bien alimentée en vérifiant le disjoncteur.

La température semble trop élevée:

- La porte est trop souvent ouverte.
- Attendre suffisamment de temps pour que les boissons récemment placées dans le minibar puissent se refroidir.
- Vérifier la bonne étanchéité des joints.
- Mettre le bouton de thermostat sur une température plus froide.

La température est trop froide:

- Si le bouton de thermostat est réglé sur une température trop froide, le mettre sur une température plus élevée et attendre plusieurs heures que la température se stabilise.

Le minibar se met en marche trop fréquemment:

- Cela peut être tout à fait normal les jours où il fait chaud et humide afin que la température à l'intérieur de l'appareil soit constante.
- Il se peut que les portes aient été trop souvent ouvertes ou pendant trop longtemps.
- Vérifier la bonne étanchéité des joints.
- Vérifier que les portes sont bien fermées.

De la moisissure apparaît à l'intérieur ou à l'extérieur du minibar:

- C'est normal pendant les périodes humides.
- Les portes sont trop souvent ouvertes ou pendant trop longtemps.
- Vérifier la bonne étanchéité des joints.

La porte du minibar ne se ferme pas correctement:

- Mettre à niveau l'appareil.
- Réaligner la porte de l'appareil.
- Vérifier que rien ne gêne la fermeture de la porte.

Garantie Limitée

Que recouvre la garantie et pour combien de temps ?

Cette garantie recouvre tous les défauts de fabrication ou de matériaux pour une période de :

12 mois pour la main d'œuvre

(au service uniquement)

12 mois pour les pièces

5 ans pour système frigorifique

La garantie prend effet à compter de la date d'achat de l'article et l'original de la facture doit être présenté au centre de services agréé avant d'effectuer toute réparation.

EXCEPTIONS : garantie pour une utilisation commerciale ou en cas de location

90 jours pour la main d'œuvre (au service après-vente uniquement)

90 jours pour les pièces

Aucune autre garantie appliquée

Qu'est-ce qui est couvert ?

1. Les pièces mécaniques et électriques essentielles au bon fonctionnement de cet appareil sont garanties pendant 12 mois. Cela comprend toutes les pièces sauf la finition et l'habillage.

2. Les composants du système frigorifique comme le compresseur, le condensateur et l'évaporateur sont couverts par la garantie pour tout défaut de détérioration de ce type de composant provoquée par une mauvaise utilisation du matériel, une mauvaise manipulation ou lors du transport n'est pas couverte par cette garantie.

Quelles seront mesures prises ?

1. Nous nous réservons le droit de réparer et de remplacer toute pièce mécanique ou électrique défectueuse lors d'une utilisation normale pendant la période de garantie spécifiée.

2. Les pièces et la main d'œuvre ne seront facturées à l'acheteur pour aucun article couvert par la garantie pendant la période initiale de 12 mois.

3. Veuillez contacter votre centre de services agréé le plus proche. Pour obtenir le nom de votre centre de services le plus proche, veuillez appeler le 1-877-337-3639.

CETTE GARANTIE COUVRE LES APPAREILS ÉLECTROMÉNAGERS SUR LE CONTINENT NORD-AMÉRICAIN (ÉTATS-UNIS ET CANADA) ET À PORTO RICO.

ELLE NE COUVRE PAS CE QUI SUIT :

Les dommages dus à une mauvaise installation.

Les dommages survenus pendant le transport.

Les vices autres que de fabrication.

Les dommages dus à une mauvaise utilisation, à une utilisation excessive, à une altération, au manque d'entretien et à une tension ou un voltage incorrects.

Les dommages imputables à une utilisation autre que domestique.

Les dommages dus à une réparation effectuée par un service autre que le revendeur agréé ou le centre de services.

L'habillage et les ampoules.

Le transport et l'expédition.

La main d'œuvre (après les 12 mois initiaux).

IL N'EXISTE AUCUNE AUTRE GARANTIE QUE CETTE GARANTIE LIMITÉE, EXPRIMÉE OU IMPLICITE, INCLUANT LES GARANTIES DE QUALITÉ MARCHANDE OU D'APTITUDE DANS UN BUT PARTICULIER.

Les réparations fournies par la présente garantie sont exclusives et remplacent toute autre réparation.

Cette garantie ne couvre pas les dommages indirects ou secondaires. Dans ce cas, les limitations ci-dessus peuvent ne pas être applicables. Certains états n'autorisent pas les limitations sur la durée d'une garantie implicite. Dans ce cas, les limitations ci-dessus peuvent ne pas être applicables.

Cette garantie vous reconnaît certains droits juridiques ; Il est possible que vous disposiez d'autres droits, pouvant varier d'un état à l'autre.

Haier America

New York, NY 10018

PRECAUCIONES BASICAS

Lea todas las instrucciones antes de utilizar esta unidad. Cuando opere esta unidad siempre tenga en cuenta las precauciones básicas para su seguridad, incluyendo las siguientes:

- 1) Utilice la unidad sólo para su uso entendido como se indica en este manual.
- 2) Este refrigerador de bebidas debe estar adecuadamente instalado de acuerdo a las instrucciones provistas en este manual antes de operar. Ver "conexión a tierra" en la sección de instalación.
- 3) Nunca desenchufe la unidad tirando del cable. Siempre sostenga firmemente el enchufe y tire hacia fuera.
- 4) Repare o reemplaze inmediatamente todos los cables de corriente que estén percutidos o dañados. No utilice cables que estén rasgados o presenten daños a lo largo del mismo, en el enchufe o en la conexión.
- 5) Desenchufe la unidad antes de la limpieza o antes de hacer alguna reparación. **Nota:** si por algún motivo esta unidad requiere reparación nosotros recomendamos que sea realizado por un técnico calificado.
- 6) Si su refrigerador de bebidas anterior no está siendo utilizado recomendamos que retire la puerta del mismo y deje los estantes en su lugar, con el fin de reducir el riesgo de daño a niños.
- 7) Esta unidad no debe instalarse en gabinetes cerrados o construídos con ese fin.
- 8) No opere la unidad en presencia de gases explosivos.

GUARDE ESTAS INSTRUCCIONES

Para Futura Referencia

PELIGRO

Riesgo para los niños. Antes de deshacerse de su viejo refrigerador de bebidas asegúrese de quitarle las puertas. Deje los estantes en su lugar de modo de evitar que algún niño entre fácilmente.

Gracias por utilizar nuestro producto HAIER. Este manual de fácil uso lo guiará para que usted obtenga los mejores resultados de su refrigerador de bebidas.

Recuerde grabar el modelo y número de serie. Estos datos se encuentran en la etiqueta en la parte trasera de la unidad.

Número de modelo

Número de serie

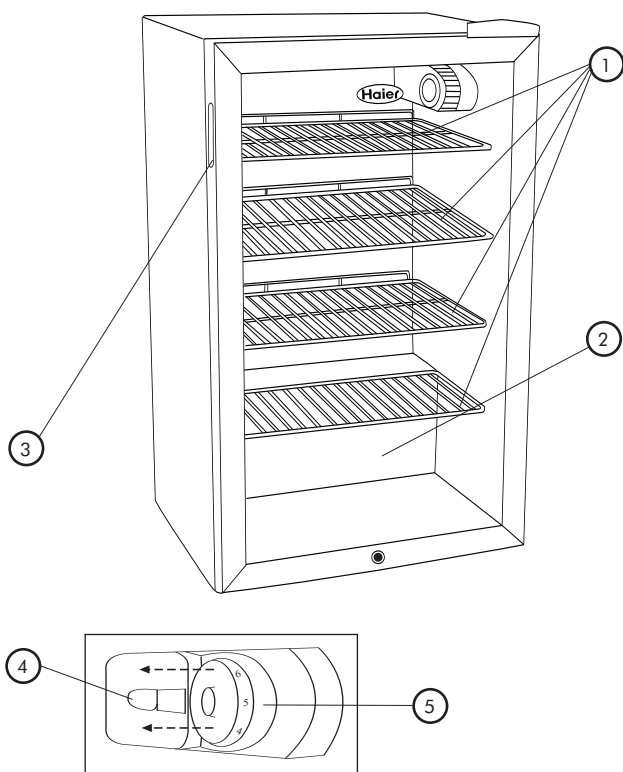
Fecha de compra

Adjunte su recibo o factura a su manual. **Esta será necesaria para utilizar los servicios de la garantía.**

Indice

	PAGE
Precauciones Básicas	1
Partes y Características	4
Instalación del Refrigerador de Bebidas	5
Desempacando el Refrigerador	5
Nivelando el Refrigerador	5
Circulación de aire Necesaria	5
Requerimientos Eléctricos.....	6
Uso de Alargues	6
Limitaciones de la Instalación	6
Alineación de la Puerta	7
Reversión del eje de la Puerta	8
Uso y Características del Refrigerador de Bebidas	10
Características Generales	10
Estantes internos del Refrigerador	10
Luz.....	11
Bloqueo y Clave	12
Sonidos Normales de la Operación	12
Cuidado y Mantenimiento Apropiado	13
Limpieza y Mantenimiento	13
Interrupciones de la Corriente de Energía	13
Vacaciones y Cuidados en el Traslado	13
Problemas Generales	14
Información de la Garantía	15

Partes y Características



1. Estantes de ancho completo para almacenaje

2. Puerta de vidrio transparente

3. Manija

4. Luz interior

5. Control de temperatura

Instalacion del Refrigerador de Bebidas

Desempaque el Refrigerador

1. Retire todos los materiales del packaging. Esto incluye la base de telgopor y todas las cintas adhesivas que sostienen las partes y accesorios en el interior y exterior del refrigerador.
2. Inspeccione y retire cualquier otro material del packaging antes de encender y operar la unidad.

Nivelando el Refrigerador de Bebidas

- Su refrigerador de bebidas posee pies niveladores, los que se encuentran en la parte inferior del mismo. Luego de ubicar la unidad en su lugar final, usted puede nivelar el refrigerador utilizando los pies.
- Usted puede ajustar los pies niveladores girando los mismos en dirección de las agujas del reloj para levantar la unidad, o en dirección contraria para bajar la unidad. La puerta del refrigerador de bebidas cerrará más fácil cuando los pies niveladores estén extendidos.
- Existe también un soporte ajustable para el ángulo inferior de la puerta (ver figura 4). Luego de nivelar la unidad, ajuste el soporte del ángulo hasta que repose en la superfiice donde la unidad fue ubicada.

Circulación de aire Adecuada

- Para asegurarse que la unidad esté trabajando al máximo de su eficiencia para el que fue diseñado usted debe instalar el refrigerador de bebidas en un lugar donde exista suficiente circulación de aire y se puedan realizar las conexiones eléctricas.
- Los siguientes son los espacios recomendados alrededor de la unidad:

Laterales	3/4 "(19mm)
Arriba	2" (50mm)
Abajo	2" (50mm)

Requerimientos Eléctricos

- Asegúrese de que exista una correcta toma de corriente (115 voltios, 15 amp) con conexión a tierra.
- Evite el uso de adaptadores de tres patas y no corte el cable de conexión a tierra en orden de utilizar un enchufe de dos patas. Se correría peligro de shock eléctrico.

Uso de Alargues

- Evite el uso de alargues para mayor seguridad. Si fuese necesario utilice solamente un alargue de tres cables que posea un enchufe de tres patas.

Limitaciones de la instalación

- No instale la unidad en lugares no lo propiamente aislados o de mucho calor, por ej. Garage, etc. Su refrigerador de bebidas no fue diseñado para operar en niveles de temperatura inferiores a 55 grados fahrenheit.
- Seleccione una ubicación adecuada para su unidad, en una superficie fuerte lejos de la luz directa de sol o fuentes de calor como radiadores, elementos de cocina, etc. Cualquier desnivel del piso debe ser corregido utilizando los pies niveladores.

Alineación de la Puerta (ver figura 1)

1. Retire el tornillo del cobertor del eje.
2. Retire el cobertor del eje superior.
3. Utilizando un destornillador philips retire los tornillos del eje superior.
4. Ajuste la puerta o coloque un espaciador en el medio y ajuste los tornillos nuevamente.
5. Coloque nuevamente el eje superior en su lugar.

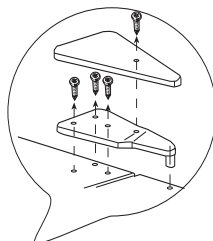
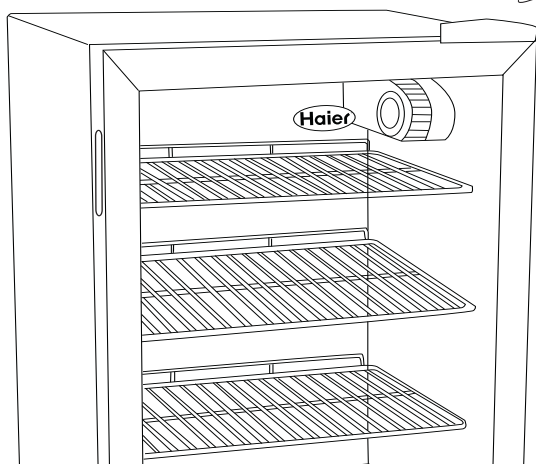


fig. # 1



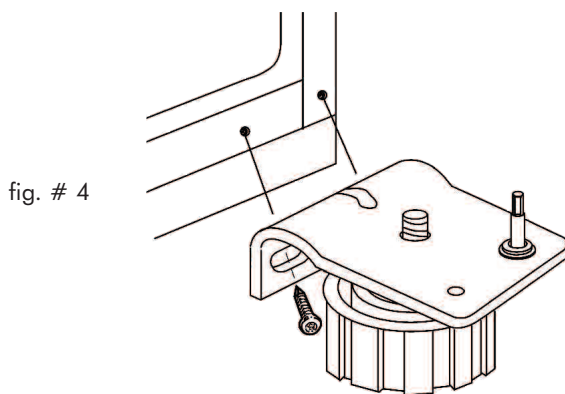
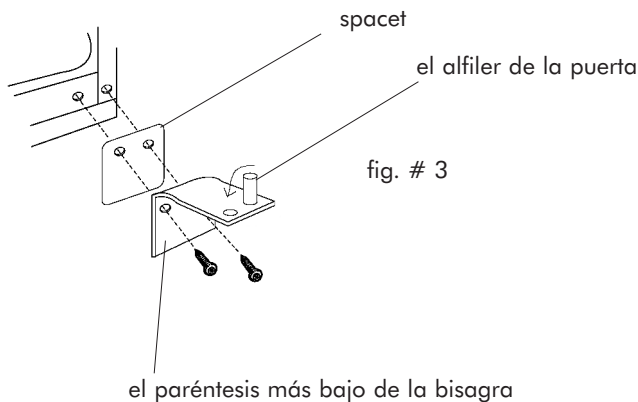
Revirtiendo el eje de la Puerta

1. Retire el tornillo del eje superior y luego retire el cobertor del mismo (ver figura 1)
2. Utilizando un destornillador philips retire los tornillos sosteniendo el eje superior en su lugar. (ver figura 1)
3. Retire el eje superior y cuidadosamente levante la puerta y retírela.
4. Retire los tapones de los orificios de los tornillos que estan en el lado contrario, y colóquelos en los orificios del lado donde usted acaba de retirar los tornillos (ver figura 2)
5. Destornille el pin de la puerta que se encuentra en el eje inferior girando en sentido contrario a las agujas del reloj. Mueva el pin al orificio opuesto y ajuste (ver figura 3). Incline la unidad de a poco hacia atrás y retire el soporte del eje inferior.
6. Retire los tornillos que sostienen la placa del eje inferior y retire el eje. (ver fig. 3)
7. Alinee los orificios de la placa del eje inferior con los correspondientes orificios al otro lado del gabinete. Inserte y ajuste los tornillos correspondientes (ver figura 3). Incline la unidad de a poco hacia atrás para reubicar el soporte del eje inferior. Ajuste hacia arriba o abajo como sea necesario y de modo que apoye en la superficie en donde se encuentra la unidad.
8. Alinee el orificio al lado izquierdo de la puerta con el pin del eje inferior y deslice la puerta hacia el lugar.



fig. # 2

9. Alinee el pin del eje superior con el orificio superior del lado izquierdo y presione en el lugar. Coloque los tornillos en el eje superior pero no ajuste del todo todavía. (ver fig 1)
10. Asegúrese de que la puerta cierre fácilmente y que selle correctamente. Ajuste la puerta como sea necesario, una vez que este satisfecho con la alineación de la misma ajuste los tornillos del eje.
11. Coloque nuevamente el cobertores del eje, inserte el tornillo y ajuste (ver fig 1).
12. Si la puerta no cerrara correctamente vaya a la sección titulada "alineación de la puerta".



Uso y Características de Bebidas

Características Generales (la ubicación varía por el modelo)

Dial de temperatura ajustable:

Su refrigerador de bebidas automáticamente mantendrá la temperatura que usted seleccione. El control de temperatura posee 7 niveles más la opción OFF. 1 es la opción más cálida. 7 la de mayor frío. Cuando lleve el selector a Off la unidad dejará de enfriar. En principio lleve la temperatura al nivel 4 y deje pasar unas 24hs antes de ajustar a otro nivel.

(Nota: Si el refrigerador de bebidas ha sido apoyado verticalmente o en una posición inclinada por un tiempo determinado por favor, espere 24 hs antes de hacer funcionar.)

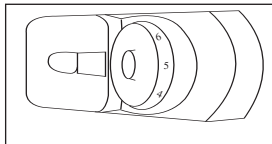


fig. # 5

Ubicados en el interior de la unidad al lado derecho (para modelo HC125E)

Estantes Interiores del Refrigerador de Bebidas

Para retirar o ubicar alguno de los estante:

(ver figura 6)

1. Gentilmente lleve el estante hacia arriba y deslice hacia delante hasta que haya sido retirado del lugar completamente.
2. Para colocar el estante nuevamente deslice hacia dentro.

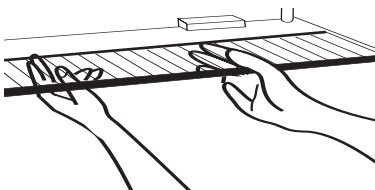


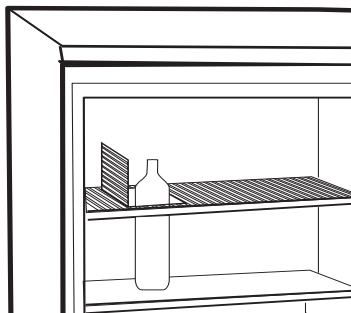
fig. # 6

Para utilizar la canasta o estante interior:

(ver figura 7)

1. Simplemente tire de la canasta o estante como se muestra en el diagrama. Este fue diseñado para proporcionarle un lugar de almacenaje extra para botellas más altas.

fig. # 7



Luz

- Para cambiar una bombita de luz quemada retire la perilla de control de temperatura tirando de la misma hacia fuera. (ver figura 8a). Cuidadosamente empuje del plástico cobertor de la luz hacia la izquierda y retire. Desenrosque la bombita de luz quemada y reemplace con una nueva (use de 15 watts o menos). Reubicar el cobertor (ver fig. 8b). Alinee el frente, coloque y presione la perilla de control en su lugar.

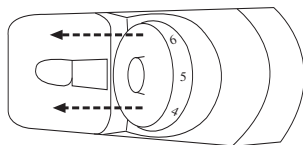


fig. # 8a

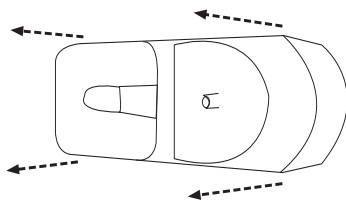
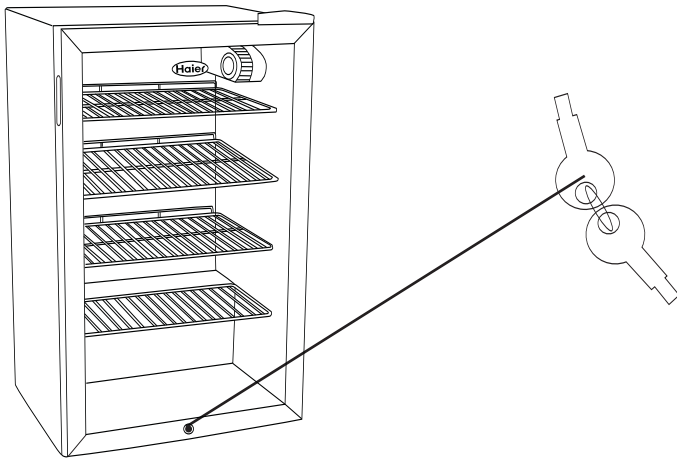


fig. # 8b

Bloqueo y clave

- Su centro de la bebida se equipa de un bloqueo y de un clave (situados en el centro inferior de la puerta) para la seguridad opcional, si usted elige. Cierre simplemente la puerta del centro de la bebida, inserte el clave y dé vuelta.



Sonidos de la Operación Normal

- Burbujeo, sonido de agua hirviendo, o pequeñas vibraciones que son el resultado de la circulación del líquido refrigerante.
- El termostato hará un "click" cuando se encienda y apague.

Cuidado y Mantenimiento Apropriado del Refrigerador de Bebidas

Limpieza y Mantenimiento

Cuidado: Para evitar riesgos de un shock eléctrico desenchufe siempre la unidad antes de limpiar. No ignore nunca esta advertencia.

Precaución: Antes de utilizar productos de limpieza siempre lea y siga las instrucciones dadas por el fabricante para evitar lesiones y daños a la unidad.

General:

- Prepare una solución de 3 o 4 cucharadas de bicarbonato de sosa mezclado con agua tibia. Utilice una esponja o paño suave humedecida con la solución anterior para repasar el refrigerador.
- Lave con agua tibia y limpia y seque con un paño suave.
- No utilice químicos, abrasivos, amoníaco, cloro, detergentes concentrados, solventes o esponjas de metal. Algunos de estos materiales pueden dañar, corromper o decolorar se unidad.

- Juntas de la puerta:**
- Limpie las juntas cada tres meses mínimo de acuerdo a las instrucciones generales de limpieza. Las juntas deben mantenerse limpias para permitir un correcto sellado de la puerta mientras esté cerrada.
 - Puede pasarse en la junta un poco de vaselina para mantener las juntas flexibles y asegurar el sellado completo.

Limpieza del condensador:

- Cada 12 meses, utilizando un cepillo suave o una aspiradora, limpie el polvillo acumulado en los rollos del condensador. Esto ayudará al funcionamiento| eficiente de la unidad.

Interrupciones de Energía

- Ocasionalmente pueden ocurrir cortes de energía debido a tormentas u otras causas. Desenchufe cuando esto ocurra. Cuando la corriente se reestablezca enchufe el cable nuevamente.

Vacaciones y cuidados en el traslado de unidad

- En caso de que tome vacaciones o este ausente, vacíe el refrigerador de bebidas, mueva el dial de temperatura a Off y limpie la unidad de acuerdo a las instrucciones generales de limpieza. Deje la puerta abierta de modo que el aire pueda circular. Cuando necesite trasladar la unidad siempre mueva verticalmente. No la mueva en forma horizontal, puede causar daños al sistema.

Problemas Generales

El Refrigerador de Bebidas no Funciona

- Controle que la perilla de la temperatura no esté en OFF
- Controle que la unidad esté enchufada
- Controle que haya corriente en la toma.

La Temperatura Parece muy Alta o Cálida

- Puede deberse a que la puerta es abierta frecuentemente
- Permita tiempo a las bebidas colocadas recientemente a alcanzar la temperatura establecida.
- Controle que la puerta cierre correctamente
- Ajuste el control de temperatura.

La Temperatura es Demasiado Fría

- Ajuste el nivel de temperatura a una posición más cálida y permita un tiempo para que la misma se ajuste.

El Motor Trabaja muy Seguido

- Puede ser normal para mantener la temperatura en días cálidos y de humedad
- La puerta es abierta frecuentemente por un largo tiempo.
- Controle las juntas de la puerta para que cierre correctamente.
- Controle si la puerta cierra completamente

Formación de Vapor en el Interior o Exterior del refrigerador.

- Es normal en días de mucha humedad
- La puerta es abierta con mucha frecuencia
- Controle las juntas de la puerta

La puerta no cierra correctamente:

- Nivele la unidad
- Re-alinee la unidad
- Controle que no haya bebidas bloqueando la puerta

Garantía Limitada

Qué cubre y por cuánto tiempo?

Esta garantía cubre todos los defectos en los materiales o los causados por el traslado durante un período de:

12 meses (labor)

12 meses (partes)

5 años (el sistema sellado)

La garantía comienza el día en que el producto fue comprado. La factura original de compra debe ser presentada antes de hacer uso del servicio.

Excepciones: Garantía de uso comercial

90 días (labor)

90 días (partes)

no aplica ninguna otra garantía

Lo que cubre:

1. Las partes mecánicas y eléctricas que se utilizan para el funcionamiento, por un período de 12 meses. Incluye todas las partes menos el acabado final.
2. Los componentes del sistema sellado, por ej. el compresor hermético, condensador, evaporador, de todo defecto de manufactura por un período de 5 años desde la fecha de compra. Cualquier daño a estos componentes causado por abuso mecánico o utilización inadecuada no serán cubiertos.

Que se hará?

1. Repararemos o reemplazaremos cualquier parte mecánica o eléctrica que se compruebe como defectuosa en el funcionamiento normal y durante el período de garantía.
2. No habrá cargos para el comprador por las partes y labor de acuerdo a los items anteriores y respetando el período de 12 meses. Luego de ese período sólo los componentes están cubiertos por la garantía. La labor deberá ser abonada por el cliente.

3. Contacte su service autorizado más cercano. Para averiguar el nombre del service mas cercano llame al 1-877-337-3639

ESTA GARANTIA CUBRE EN LOS EEUU, PUERTO RICO Y CANADA. NO CUBRE LO SIGUIENTE

Daños por instalación impropia
 Daños en el embarque y traslado
 Otros defectos que no sean de manufactura
 Daños por desuso, abuso, accidente, alteración o falta de cuidado y mantenimiento adecuado.
 Daños por otro uso que no sea el doméstico.
 Daños ocasionados por reparaciones de personal no perteneciente a algún service autorizado.
 Decoraciones o reemplazo de la bombita de luz.
 Transporte y embarque
 Labor (luego de los primeros 12 meses)

ESTA GARANTIA LIMITADA ESTA DADA EN LUGAR DE CUALQUIER OTRA GARANTIA.

El remedio dado por esta garantía es exclusivo y es otorgado en lugar de cualquier otra solución. Esta garantía no cubre daños incidentales o secundarios, de modo que las limitaciones precedentes no lo alcanzan a usted. Algunos Estados no permiten las limitaciones de tiempo de una garantía implícita, de modo que las limitaciones anteriores pueden no aplicarse en su caso.

Esta garantía le da derechos legales específicos, y usted puede contar con otros derechos de acuerdo al Estado donde se encuentre.

Haier America
 New York, NY 10018

IMPORTANT

Do Not Return This Product To The Store

If you have a problem with this product, please contact the "Haier Customer Satisfaction Center" at 1-877-337-3639.

DATED PROOF OF PURCHASE REQUIRED FOR WARRANTY SERVICE

IMPORTANT

Ne pas Réexpédier ce Produit au Magasin

Pour tout problème concernant ce produit, veuillez contacter le service des consommateurs 'Haier Customer Satisfaction Center' au 1-877-337-3639.
UNE PREUVE D'ACHAT DATEE EST REQUISE POUR BENEFICIER DE LA GARANTIE.

IMPORTANTE

No regrese este producto a la tienda

Si tiene algún problema con este producto, por favor contacte el "Centro de Servicio al Consumidor de Haier" al 1-877-337-3639 (Válido solo en E.U.A).

NECESITA UNA PRUEBA DE COMPRA FECHADA PARA EL SERVICIO DE LA GARANTIA

115V, 60 Hz

**Made in China
Fabriqué en Chine
Hecho en China**

Haier

**Haier America
New York, NY 10018**

HC125FVS

Issued: September-05

Printed in China

Part # RF-9999-156

Free Manuals Download Website

<http://myh66.com>

<http://usermanuals.us>

<http://www.somanuals.com>

<http://www.4manuals.cc>

<http://www.manual-lib.com>

<http://www.404manual.com>

<http://www.luxmanual.com>

<http://aubethermostatmanual.com>

Golf course search by state

<http://golfingnear.com>

Email search by domain

<http://emailbydomain.com>

Auto manuals search

<http://auto.somanuals.com>

TV manuals search

<http://tv.somanuals.com>