



AUTOMATIC DRUM WASHING MACHINE

XQG60-HA800TX(M)

XQG60-HA1000TX(M)

INSTRUCTIONS FOR
INSTALLATION AND
OPERATION

FUNCTION INTRODUCTION.....	3-4
INSTALLATION.....	5-7
CLOSE UP.....	8-10
USING INSTRUCTIONS.....	11-15
MAINTENANCE.....	16
SOLUTION TO PROBLEMS.....	17-18
ATTACHED CHART:	
GUIDE FOR SELECTION PROGRAMME.....	19
WARNING.....	20

FUNCTION INTRODUCTION

FUNCTION COMPARING TABLE

FUNCTION	MODE	
	XQG60-HA1000TX(M)	XQG60-HA800TX(M)
Washing capacity	6kg	6kg
Programmes	18	18
Cotton		
Synthetic		
Wool		
Adjustable thermostat(0~90°C)		
Cold wash button		
Speed button		
Economic button		
Spin speed	1000r/min	850r/min
Power switch ON/OFF		
Rinse		
Stainless steel tub		
Door-locking device		
Power		
Power(Wash)	300W	300W
Power(Spin)	530W	530W
Weight	72Kg	72Kg
HX.WX.D	850X550X595	

Installation

Unpacking levelling and positioning

Remove the package and check that the machine is undamaged.

If you have any doubts, do not use the machine and call on a qualified technician. Keep all packing parts (plastic bag, foam rubber, screws etc.) out of the reach of children since they could be dangerous.

Important: The inside of the washing machine which consists of a floating unit, is fixed with screws at the back of the cabinet (Fig.1) during transport. Before starting the machine remember to release the floating unit by removing the above screws. To prevent water spray from entering the machine, remember to close the holes left open by the screws with the plastic caps provided in the packet containing the owner's manual. And rescrew the holes where the iron piece is taken down with the former two screws. Attention: keep the packing screws and plastic caps in a safe place for later use. It is important for the machine to be perfectly level (the angle of inclination on the work surface must not be more than 2 degrees). For this reason the machine is fitted with adjustable feet used for levelling the machine before use (Fig.2). In the case of flooring with carpeting, remember to check that the ventilation in the support area is not plugged.

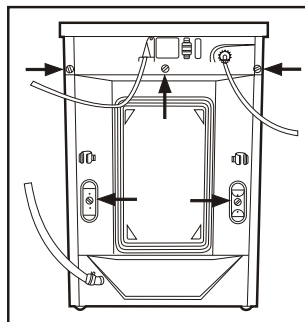


Fig.1

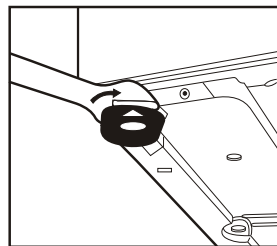


Fig.2

Installation

Electric connection

Connect the plug to a socket provided with efficient earthing. Or use the spare earthing wire supplied together with the machine and the earthing terminal located on the left-upper corner of the back of your machine (Warning: this appliance must be earthed as a safety measure according to the law). Make sure that the voltage and frequency available correspond with the values stated on the data plate located at the back of the machine (power range: 187-242V) and that the electric system is dimensioned to withstand the maximum current shown on the data plate. If the socket the machine is connected to does not correspond with the plug, replace the plug with a suitable one and avoid using adaptors or shunts since they could cause overheating and burn out. The spare earthing wire is absolutely not allowed to be connected to water pipe, heating pipe or other kinds of pipes.

Connection of tap and Loading Hose

Connect the inlet hose to a cold water tap with a 3/4 gas threaded opening, and fit the filter and the rubber gasket supplied with the washing machine. Check that it is tightly screwed to the tap (Fig. 3).

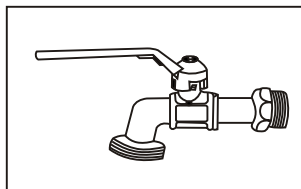


Fig. 3

If the water piping is new or has not been used for a long time, before making the connection, let the water run until it is clear and free from impurities.

This step is necessary to ensure that the incoming water does not clog and possibly damage the machine.

Installation

Connection of the Drain Hose Connect the drain hose to a drain duct (with internal diameter of at least 4 cm.) or place it for drainage into a sink or a tub, ensuring that there are no kinks or bends. The free end must be at a height of between 80 and 100 cm. Should it be necessary to fix the end of the hose at a height of less than 80 cm from the floor, the hose must be fixed in the appropriate hook on the upper part of the back panel (Fig.4) or use the supplied support to fix the drain hose.(Fig.5)

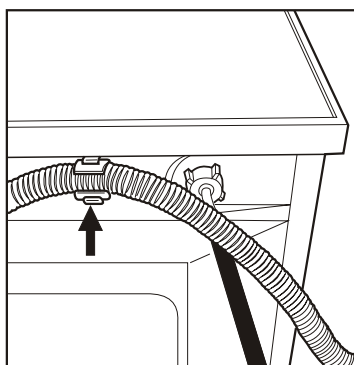


Fig.4

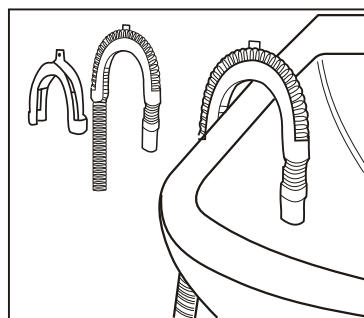
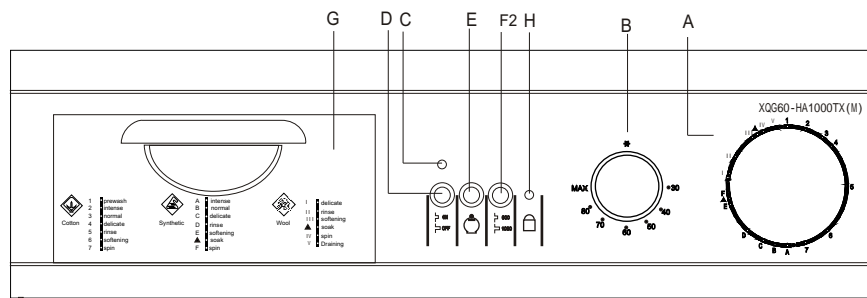
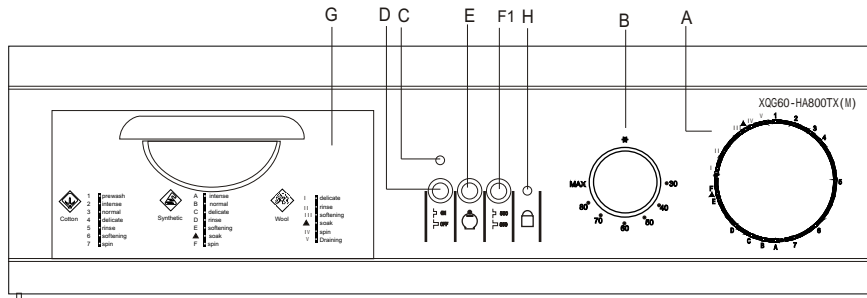


Fig.5

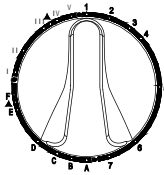
Connecting Water Supply

Insert stainless steel screen washers into end of each supply hose and attach that end of supply hose to your 3/4" water tap spigot. Be sure that you match up cold water to "C" and hot to "H". Note: Home Centers also have "Y" connectors and "Couplings" which enable you to connect the machine to your sinks faucet.

Close up



Close up



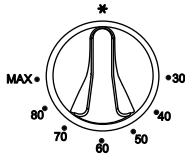
A Programme selector knob.

By turning this dial (clockwise only) you can select from eighteen wash programmes the one most suited for your washing.

1~7 cotton cycle

A~F synthetic cycle

I~V wool cycle



B Programme selector Knob.

With this dial you can set the wash temperature that you desire. For synthetic and wool, the thermostat works below 60°C and 40°C respectively.

When the dial is located at "*", a cold wash is available



C Power Light

This light indicates whether the electricity is on or off. The light comes on when button D is pressed and goes off when button D is not pressed.



D ON/OFF Button

ON/OFF button. Supplies electrical power to the machine.

Close up



E Economic Wash Button.
It reduces water and power consumption when rinsing if the machine does not have a full load.
(Less than 3kg)

500 F1 Speed Button.
Push the button down, to reduce spin speed from 850r/min to 500r/min during strong washing mode and medium washing mode

600 F2 Speed Button.
Push the button down, to reduce spin speed from 1000r/min to 600r/min during strong washing mode and medium washing mode

G Detergent Dispenser.
The detergent dispenser is divided into 3 compartments marked 1,2,3:(See Fig.8)
1 Pre-wash detergent
2 Wash detergent
3 Softeners, conditioners, perfumes

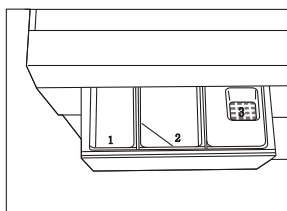


Fig.8



H Door Lock Button

The button is used to open the door, but we must remember that only when the washer doesn't work, we can open the door. After the washing program finish, after 3 minutes, when the self-lock meter turn off, we can open the door.

Using instructions: Your machine offers the best results when...

The weight is right

In order to get the excellent results that you would expect from your washing machine, it is important to load the washer correctly. You should therefore choose the quantity of each type of fabric that you want to wash. This table will help:

Colour fast fabrics	maximum load 5 kgs/11 lbs
Delicate fabrics	maximum load 2 kgs/2.5 lbs
Woollens	maximum load 1 kg/2.2 lbs
Mixed fabrics	maximum load 2.5 kgs/5.5 lbs

Laundry has been loaded correctly

Divide the laundry by fabric and degree of soiling loaded making the loads as uniform as possible.
Pull the handle out to open the door.

Place the laundry in the machine remembering to arrange uniformly.

Using instructions: Your machine offers the best results when...

The correct programme has been chosen

A perfect wash depends above all on choosing the most suitable programme. We would therefore advise you to divide up your washing into separate loads of more or less the same types of fabric. This will make it easier to select the best programme.

Hints on choosing the programme are shown in the table on pages of this manual.

Once you have selected a programme, just turn dial

A clockwise until the chosen programme lines up with the indicator line on the facia panel.

Anti-crease

When your machine is washing synthetic fabrics or woollens, the wash cycle stops before the last spin cycle, with the laundry soaked in water in order to prevent the formation of creases due to spinning. Complete the wash cycle with a spin cycle or simply drain the water from the washing machine without spinning.

For the spin cycle, turn the selector knob **A** clockwise by one step.

To drain, set the selector knob **A** on drain programme in both cases, before turning the knob **A** remember to switch OFF the ON/OFF button **D**.

Using instructions:Your machine offers the best results when...

The detergent has been put in properly

The 3 compartments marked 1, 2, 3 (Fig.9) should be used as follows:

- 1 Pre-wash detergent
- 2 Wash detergent
- 3 Conditioner, starch, scents

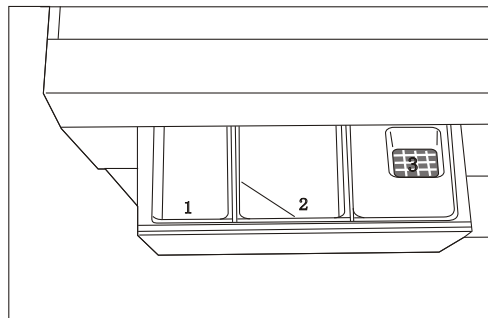


Fig.9

Remember that it is important to use the right amount of soap powder or liquid for the type of laundry you are washing; the amount of detergent you use depends on a number of factors:

Water hardness; if the water in your area has a high calcium content, we recommend using an anti-limestone additive.

degree of dirtiness; increase the amount of soap powder used in the case of heavily soiled laundry.

laundry load; the smaller the load the less soap powder you will need to use.

Using instructions:Your machine offers the best results when...

The following table will guide you:

Laundry	Compartment.1 prewash	Compartment.2 wash	Compartment.3
Normally soiled	1/2 measuring cup	1 and 1/2 measuring cups	Softeners (see note 3)

When using concentrated detergents, remember to keep to the manufacturer's instructions using only the measuring cups supplied with the packet.

Use more detergent in the case of very hard water (more than 21.F), but remember to maintain the proportion between the prewash and wash cycles.

Liquid detergent

The liquid detergents currently available on the market may be used with the washing machine. Use compartment 2 for very dense liquid detergents. Follow the manufacturer's instructions when using liquid detergents sold with the ball detergent dispenser. Place the ball dispenser in the tub of washing machine together with the laundry.

The prewash cycle may not be used with liquid detergents.

Note "3"

For soft and fluffy laundry always a softener in the final rinsing cycle.

Never place bleach in the other compartments.

Using instructions: Your machine offers the best results when...

The cycle is started

You can now start washing. We would advise you, especially the first few times, to check that the programme that you have set is really the one you want and that the fabric selection is correct.

If you want to start the cycle immediately, press the ON/OFF button D.

The wash is finished

At the end of the chosen cycle, the machine will stop automatically.

Press the ON/OFF button D to switch off the power (light C will turn off).

Maintenance: five simple precautions for this machine

Your machine is designed to last without complicated maintenance.

All the same, we would ask you to take care of a few small matters. If you follow these four simple rules, we are sure that the washing machine will stay as your faithful friend and helper for a long, long time.

1. Ensure that your machine was installed according to the installation manual that comes with this booklet.
2. Avoid at all costs using solvents either to clean the machine, or to do the wash. When clean the machine, cut off the power.
3. Clean the detergent dispenser every so often. This is very simple and should be done with water. Your machine has an extractable dispenser to make it even easier. Just pull it upwards and out.
4. If it is long time no use, you'd better cut off the power, switch off the tap, and open the door to avoid unpleasant smell.
5. Your washer is equipped with a self-cleaning pump. It is therefore not necessary to carry out cleaning and maintenance operations.

Open the cover of the filter, loosen the knob in counter-clockwise rotation, then take out the filter and clean it with water, every month.(see Fig.8)

Note: Reassembly the filter carefully after cleaning, ensuring it is fit perfectly and no water can come out.

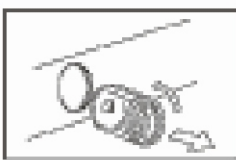
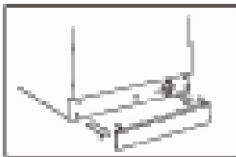


Fig.8

Solution to Problems

Even though your washing machine has been carefully designed and constructed, something could still go a miss with your machine. Before rushing to phone one of our service centres, however, please check that the operations listed below have been carried out. In many cases you will save time, money and bother. Our statistics show that many of the calls received by our service centres could have been avoided with just a little more attention.

The washing machine won't start

Check that:

- the plug is pushed right into the mains socket;
- the door is closed tightly;
- the "ON/OFF" button has been pressed.

The washing machine won't fill with water

Check that:

- the tap is open and properly connected to the inlet pipe;
- the inlet pipe is not bent.

The machine fills and drains continuously

Check that:

- the drain pipe is placed at least 80 cm/32 inches above ground level.

The machine will not drain the water

Check that:

- the drain pipe is not blocked;
- the drain pipe is not connected at a height more than 1 metre/40 inches above ground level.

There is too much foam in the tub

Check that:

- the detergent being used is meant for automatic machines and not for washing by hand;
- that the amount used is that shown in this manual and not more.

Solution to Problems

The machine vibrates too much when spinning

Check that:

- the transit bolts have been removed (see installation manual);
 - the machine is level;
 - the washing load is according to the instructions given in this booklet.
-

The machine stops operating before finishing

Check that:

- there is a sudden power failure or water stop.
- the machine is in the normal state of rinse.

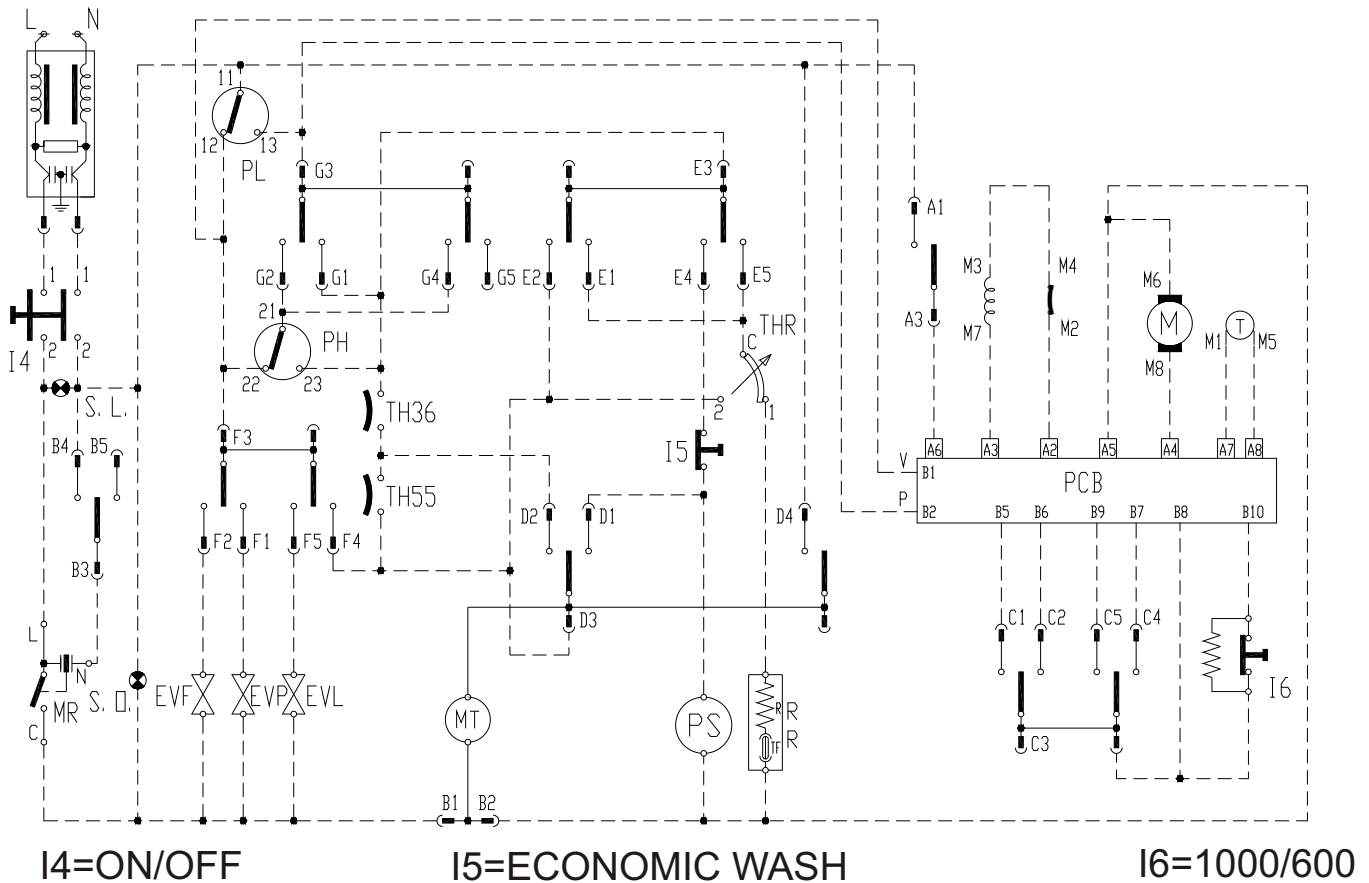
Guide for selecting programme

Type of fabric and degree of dirtiness	Position Program knob	Detergent for prewash	Detergent for wash cycle	Softener	Description of wash cycle
Heavily soiled white laundry	1				Prewash -wash cycle -rinses and extended final spin
Heavily soiled white laundry and fast colours	1		●	●	Prewash -wash cycle -rinses and extended final spin
White and fast colours	2		●	●	Wash cycle -rinses and extended final spin
White and fast colours soiled	3		●	●	Wash cycle -rinses and extended final spin
Mixed cotton+synthetic fabrics with fast colours	3		●	●	Wash cycle -rinses and extended final spin
Delicate colours	4				Wash cycle -rinses and extended final spin
Rinses	5				Rinses with automatic introduction of softener, and extended final spin
Softeners	6				Rinses with automatic introduction of softener, and extended final spin
Spin cycle	7				Draining and extended final rinse
Heavily soiled synthetic fabrics with fast colours	A			●	Wash cycle -anti-crease or delicate spin
Normally soiled synthetic fabrics with fast colours	B			●	Wash cycle -anti-crease or delicate spin
Synthetic fabrics with delicate colours	C			●	Wash cycle -anti-crease or delicate spin
Rinses	D			●	Rinse cycle with auto introduction of softener anti-crease or delicate spin
Softeners	E				Rinse cycle with auto introduction of softener anti-crease or delicate spin
Washing machine stops, clothes are soaking in the water	▲				Manually turn the programme knob, past the symbol"▲", the machine will continue
Spin cycle	F				Drain and delicate spin
Woolens	I		●	●	Wash cycle -anti-crease or delicate spin
Rinses	II			●	Rinse cycle with auto introduction of softener anti-crease or delicate spin
Softeners	III			●	Rinse cycle with auto introduction of softener anti-crease or delicate spin
Washing machine stops, clothes are soaking in the water	▲				Manually turn the programme knob, past the symbol"▲", the machine will continue
Spin cycle	IV				Delicate spin
Drain no spin	V				Draining without spin

Warning:

1. If the supply cord is damaged, it must be replaced, these are available from an authorised service agent.
2. The appliance must be placed so that the plug is accessible.
3. The appliance is to be connected to the water mains using new hose-sets, old hose-sets should not be reused.
4. The appliance is not intended for use by young children or infirm persons without supervision. Young children should be supervised to ensure that they do not play with the appliance
5. If the appliance is supplied from a cord extension set or electrical portable outlet device the cord extension set or electrical portable outlet device should be positioned so it is not subject to splashing or ingress of moisture.
6. Use the new hose and the old hose should not be reused
7. Ensure carpet does not obstruct the opening in the bases.

WIRING CIRCUIT (XQG60-HA1000TX(M))



L Line

N Neutral

SL Line LED

SO Door LED

MR Thermal lock

P1 1-level pressure switch

P2 2-level pressure switch

MT Timer motor

RR Heating element

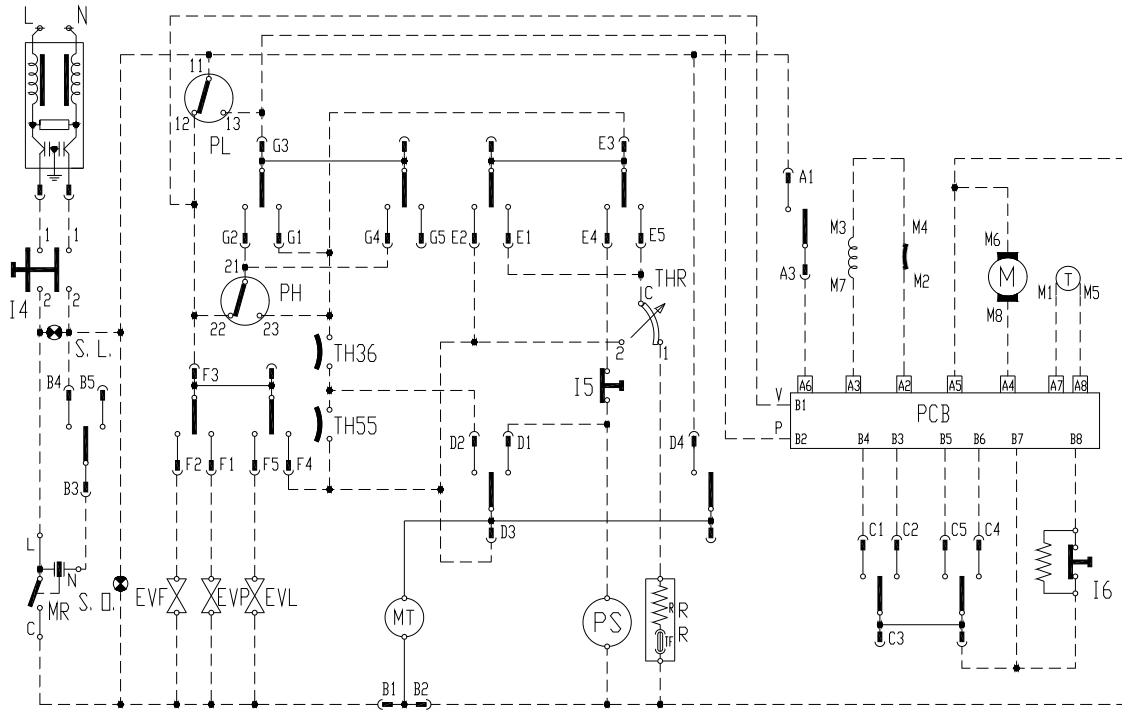
THR Adjustable heating thermostat

EVP/EVF Water electrovalve

PS Drain pump

M motor

WIRING CIRCUIT(XQG60-HA800TX(M))



I4=ON/OFF

I5=ECONOMIC WASH

I6=850/500

L Line

N Neutral

SL Line LED

SO Door LED

MR Thermal lock

EVF/EVP Water electrovalve

P1 1- level pressure switch

P2 2- level pressure switch

TM Timer motor

H Heating element

D Drain pump

Free Manuals Download Website

<http://myh66.com>

<http://usermanuals.us>

<http://www.somanuals.com>

<http://www.4manuals.cc>

<http://www.manual-lib.com>

<http://www.404manual.com>

<http://www.luxmanual.com>

<http://aubethermostatmanual.com>

Golf course search by state

<http://golfingnear.com>

Email search by domain

<http://emailbydomain.com>

Auto manuals search

<http://auto.somanuals.com>

TV manuals search

<http://tv.somanuals.com>