

# Haier

## Hot and Cold Water Dispenser Chaude ou Froide Distributeur d'Eau Fría y Caliente Urtidor de Agua



User Manual  
Guide de l'Utilisateur  
Manual del Usuario

WDNS32BW, WDNS115BW, WDNS121SS

SMARTER LIFE

BETTER PLANET

# SAFETY PRECAUTIONS

**When using this appliance, always exercise basic safety precautions, including the following:**

- 1. Read all of the instructions before using this appliance.**
2. Use this appliance only for its intended purpose as described in this use and care guide.
3. This water dispenser must be properly installed in accordance with the installation instructions before it is used. See the grounding instructions in the installation section.
4. Never unplug your water dispenser by pulling on the power cord. Always grasp the plug firmly and pull straight out from the outlet.
5. Repair or replace immediately, all electric service cords that have become frayed or otherwise damaged. Do not use a cord that shows cracks or abrasion damage along its length, on the plug or at the connector end.
6. Unplug your water dispenser before cleaning and making any repairs.  
**Note:** If for any reason this product requires service, we strongly recommend that a certified technician perform the service.
7. This water dispenser should not be recessed or built into an enclosed cabinet. It is designed for freestanding installation only.
8. This appliance is designed for INDOOR USE ONLY and should not be used outdoors.
9. Do not operate your water dispenser in the presence of explosive fumes.
10. Close supervision is necessary when any appliance is used by or near children.
11. To protect against electric shock, do not immerse the cord, plug, or any other part of the water dispenser in water or other liquids.

## SAVE THESE INSTRUCTIONS

Thank you for purchasing our Haier product. This easy-to-use manual will guide you in getting the best use of your water dispenser.

Remember to record the model and serial number. They are on a label in back of the unit.

---

*Model number*

---

*Serial number*

---

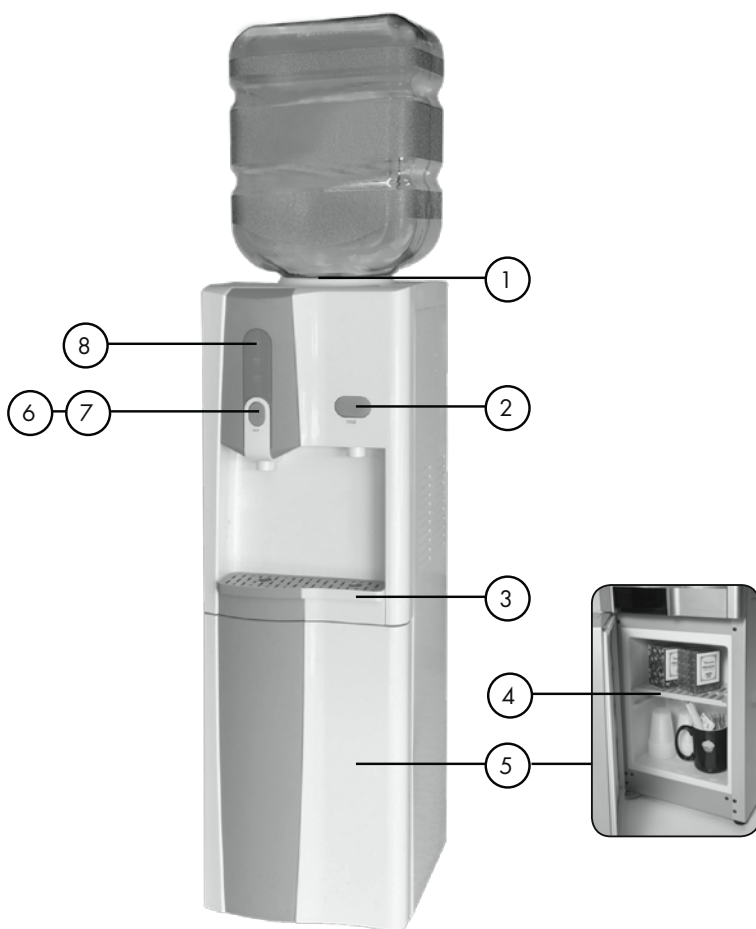
*Date of purchase*

**Staple your receipt to your manual. You will need it to obtain warranty service.**

# TABLE OF CONTENTS

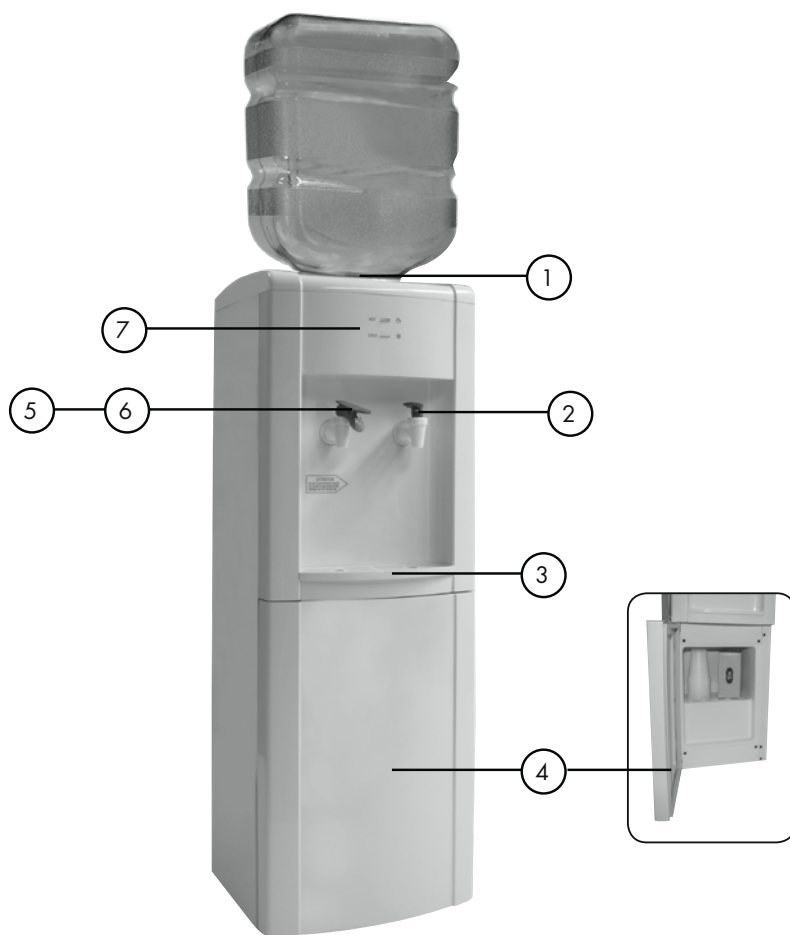
|   | PAGE         |
|---|--------------|
| <b>SAFETY PRECAUTIONS</b> .....               | <b>1</b>     |
| <b>PARTS AND FEATURES</b> .....               | <b>3-5</b>   |
| <b>INSTALLATION INSTRUCTIONS</b> .....        | <b>6-7</b>   |
| <b>START-UP INSTRUCTIONS</b> .....            | <b>8</b>     |
| <b>OPERATING YOUR WATER DISPENSER</b> .....   | <b>9</b>     |
| Cold/Hot Water Release Buttons .....          | <b>9</b>     |
| Cold/Hot Water Release Levers .....           | <b>9</b>     |
| Cold/Hot Water Power Switches .....           | <b>9</b>     |
| Cold/Hot Water Indicator Lights .....         | <b>10</b>    |
| <b>ELECTRICAL CONNECTIONS</b> .....           | <b>10</b>    |
| Grounding Instructions .....                  | <b>10</b>    |
| Wiring Requirements .....                     | <b>10</b>    |
| Extension Cords .....                         | <b>10</b>    |
| Power Interruptions .....                     | <b>10</b>    |
| <b>PRECAUTIONS</b> .....                      | <b>11</b>    |
| <b>PROPER CARE AND CLEANING</b> .....         | <b>11-12</b> |
| General .....                                 | <b>11</b>    |
| Cleaning the Condenser Coils .....            | <b>12</b>    |
| For Long Vacations or Absences / Moving ..... | <b>12</b>    |
| <b>TROUBLESHOOTING GUIDE</b> .....            | <b>13</b>    |
| <b>WARRANTY</b> .....                         | <b>14</b>    |

## PARTS AND FEATURES - WDNS115BW



- |                        |   |
|------------------------|---|
| 1. Water Receptacle    | 7. Child Safety Lock                                |
| 2. Cold Water Button   | 8. Hot Water, Cold Water and Power Indicator Lights |
| 3. Removable Drip Tray | 9. Drain (not shown/back of unit)                   |
| 4. Removable Shelf     | 10. Cold Water Switch (on back)                     |
| 5. Storage Compartment | 11. Hot Water Switch (on back)                      |
| 6. Hot Water Button    |   |

## PARTS AND FEATURES - WDNS32BW



- |                             |  |
|-----------------------------|--|
| 1. Water Receptacle         | 6. Child Safety Lock                   |
| 2. Cold Water Button (Blue) | 7. Hot and Cold Water Indicator Lights |
| 3. Removable Drip Tray      | 8. Drain (not shown/back of unit)      |
| 4. Storage Compartment      | 9. Cold Water Switch (on back)         |
| 5. Hot Water Button (Red)   | 10. Hot Water Switch (on back)         |

## PARTS AND FEATURES - WDNS121SS



- |                        |   |
|------------------------|---|
| 1. Water Receptacle    | 6. Hot Water, Cold Water and Power Indicator Lights |
| 2. Cold Water Button   | 7. Drain (not shown/back of unit)                   |
| 3. Removable Drip Tray | 8. Cold Water Switch (on back)                      |
| 4. Hot Water Button    | 9. Hot Water Switch (on back)                       |
| 5. Child Safety Lock   |   |

## INSTALLATION INSTRUCTIONS

1. Remove all packing materials. This includes the foam base and all adhesive tape holding the accessories inside and outside.
2. Inspect and remove any remaining packaging, tape and printed material before turning on the water dispenser.

**Note:** Allow the water dispenser to stand in an upright position for at least 12 hours before turning on the power.

### PROPER LOCATION

- To ensure that your water dispenser works at the maximum efficiency it was designed for, you should install it in a location where there is proper air circulation and electrical connections.
- The following are the recommended clearances around the water dispenser.
 

|       |            |
|-------|------------|
| Sides | 2" (50mm)  |
| Back  | 4" (100mm) |
- Do not install your water dispenser in any location that is not properly insulated or heated because the unit is not designed to operate in room temperature below 55°F / 13°C. The water dispenser is for indoor use only. Room temperature should not exceed 97° F / 36° C.

**Note:** Thermostats maintain the hot and cold water temperatures automatically. On the compressor cooled water coolers the hot water temperature will be between 190°-203° F/ 88°- 95° C and the cold water temperature will be between 43°- 50° F/ 6°-10° C.

- Select a suitable location for the unit on a hard even surface away from direct sunlight and heat sources (e.g., radiators, baseboard heaters, cooking appliances, etc.).

**CAUTION: DO NOT plug in the water dispenser until full bottle is installed first and water flows from both Hot and Cold water faucets.**



**Note:** Hot and cold water will not be instantly available as the unit will need time to heat up and cool down the water.

## **PREPARATION BEFORE FIRST OPERATION**

Before connecting the unit to the power source, Let it stand upright for approximately 12 hours. This will reduce the possibility of a malfunction in the cooling system from handling during transportation.

The water dispenser is pre-cleaned at the factory but the reservoir and water lines should be flushed with fresh water before use as follows:

1. Do NOT plug in the water dispenser.
2. Check and make sure the drain cap on the back of the water dispenser is firmly closed.
3. Fill water tank with tap water full to capacity, wait 5 minutes until water settles.
4. Activate the child safety button and press the hot water lever until water starts to come out, then stop.
5. Plug the dispenser into the electrical socket.
6. Press the hot water switch (back of unit) to the ON position, the switch should be lit.
  - A. Press the cold water switch (back of unit) to the ON position, the switch should be lit.
  - B. Wait for the hot water to reach temperature in approximately 10 minutes
  - C. Wait for the cold to reach temperature in other 40 minutes approximately.
7. Press the hot and cold water switch to turn them OFF and unplug the dispenser from the electrical outlet.
8. Drain the water by pressing hot water button and then cold water button, until no more water remains (to facilitate this operation, use a large container).
9. Drain any water left in the tanks by opening the drain cap located on the back side of the dispenser, until the water drains completely. Please remember to close the drain cap firmly after the drainage.
10. Place a 5 gallon or 3 gallon bottle of water onto the water intake of the dispenser; allow water to stand for approximate one minute.
11. Push water faucet buttons to insure water flows from both faucets.
12. Plug the dispenser into the electrical socket.
13. Now you are ready to use your water dispenser.



## START-UP INSTRUCTIONS

**Read carefully and understand all installation instructions before installing the water dispenser.**

1. Remove the cap from the water bottle first. Lift up the water bottle and quickly place it into the water receptacle. (The water bottle is not included.)
2. **DO NOT plug in the water dispenser until you have checked that water flows out of both faucets when the hot and cold water release levers are pressed. Never turn on the water dispenser without water. Doing so may cause the unit to catch fire or malfunction.**
3. Check that water flows out by pressing both the hot and cold water faucets one at a time.
4. Plug the power cord into an 115volt / 60 Hz outlet.
5. To activate the water heater and cooler, press the hot water and cold water switches to the ON position, the switches should be lit.

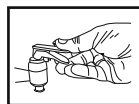
## OPERATING YOUR WATER DISPENSER

This water dispenser maintains instant hot and cold water for your cooking and drinking needs. It accepts 3 or 5-gallon water bottles.

### WDNS121SS/WDNS32BW COLD (BLUE) / HOT (RED) WATER RELEASE BUTTONS

- Press the button down to release the water flow.
- Pull the tap lever up to stop the water flow.

**Note:** The hot (red) water button is equipped with a child safety lock to prevent accidental spilling of hot water. To release the hot water flow, the tap lever must be squeezed and then pushed down.



### WDNS115BW COLD / HOT WATER RELEASE LEVERS

Press the button to release the water flow.

**Note:** The hot water faucet is equipped with a child safety lock to prevent accidental spilling of hot water. To release the hot water flow, push the child safety lock button down and as you push in the hot water button.

**Caution:** Be careful when carrying hot water in your cup or container to avoid any injury or harm from spills.

### COLD (GREEN) / HOT (RED) WATER POWER SWITCHES

(Back of unit)

#### Cold Water Switch (green):

The cold water switch activates the cooling process when turned ON.

- Press the switch to the ON position. The switch should become lit.

**Note:** When turning on the unit for the first time, it will take some time to chill the water.

#### Hot Water Switch (red):

The hot water switch activates the heating process when turned ON.

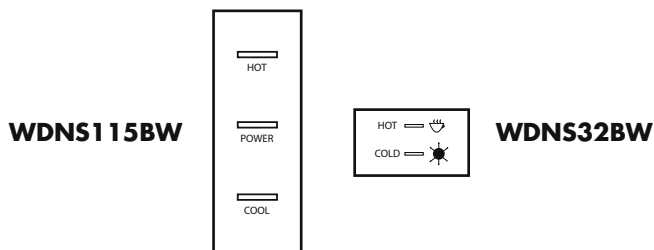
- Press the switch to the ON position. The switch should become lit.

**Caution!** Be careful when carrying hot water in your cup or container to avoid any injury or harm from spills.



## COLD (GREEN) / HOT (RED) WATER INDICATOR LIGHTS

When the green and red lights are illuminated on the front of the unit, the heating and cooling process is in progress. When the cold and hot water has reached their proper temperatures, both lights will turn off automatically. Normally, hot water reaches proper temperature first.



## ELECTRICAL CONNECTIONS

### GROUNDING INSTRUCTIONS

This appliance must be grounded. In the event of an electrical short circuit, grounding reduces the risk of electric shock by providing an escape wire for the electric current. This appliance is equipped with a cord containing a grounding wire and a grounded plug. The plug must be inserted into an outlet that is properly installed and grounded.



- Improper use of the plug may result in the risk of electric shock.
- Consult a qualified electrician or service technician if the grounding instructions are not completely understood or if in doubt as to whether the appliance has been properly grounded.

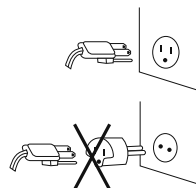
### WIRING REQUIREMENTS

This appliance must be plugged into a 15Amp, 115 Volt, 60Hz GROUNDED OUTLET.

**Note:** Where a standard two-prong outlet is encountered, it is the personal responsibility and obligation of the consumer to have it replaced with a properly grounded three-prong outlet.

### EXTENSION CORDS

We do not recommend the use of an extension cord with this unit.



### POWER INTERRUPTIONS



Occasionally, there may be power interruptions due to thunderstorms or other causes. Remove the power cord from wall outlet when a power outage occurs. When power has been restored, re-plug the power cord into wall outlet.

## PRECAUTIONS

- This appliance is not intended for use by persons (including children) with reduced physical, sensory or mental capabilities, or lack of experience and knowledge, unless they have been given supervision or instruction concerning use of the appliance by a person responsible for their safety.
- Do not use mechanical devices or other means to accelerate the defrosting process, other than those recommended by the manufacturer.
- Do not damage the refrigerant circuit.
- Do not use electrical appliances inside the food storage compartments of appliance, unless they are of the type recommended by the manufacturer.
- To avoid a hazard due to instability of the appliance, it must be fixed in accordance with the instructions.

## PROPER CARE AND CLEANING

**Caution:** Before using any cleaning product, always read and follow the manufacturer's instructions and warnings to avoid personal injury and/or product damage.

**Note:** It is best to clean the dispenser and its surrounding area when replacing the empty bottle with a new one. This way you can move the unit easily without the weight of the bottle.

### GENERAL

- Before cleaning, place a dust cover on top of the water guard to prevent dust and debris from going into the dispenser while cleaning.
- Prepare a cleaning solution of 3-4 tablespoons of baking soda mixed with warm water. Use a sponge or a soft cloth dampened with the cleaning solution to wipe down the unit.

**WARNING!**

**Always unplug the unit before cleaning to avoid electric shock.  
Failure to do so may result in death or injury.**

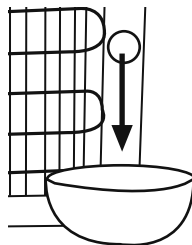
- Wipe with clean warm water and dry with a soft cloth.
- Do not use harsh chemicals, abrasives, ammonia, chlorine bleach, concentrated detergents, solvents or metal scouring pads. Some of these chemicals may dissolve, damage and/or discolor the unit.
- The spilled water in the drip tray must be removed regularly and cleaned properly to avoid any bacteria and residue build-up.
- We recommend that you clean the water dispenser at least twice a year. When cleaning, you do not need to take anything apart. Simply pour the baking soda/water solution through the water guard. Then rinse with plenty of water and allow the water to drain.
- Remove the accumulated water from the drip tray, and wipe the compartment clean.

**CLEANING THE CONDENSER COILS**

We recommend that you move the dispenser away from the wall and vacuum or brush the coils on the rear of the unit at least 4 times a year. Some operating environments may require more frequent cleaning.

**FOR LONG VACATIONS OR ABSENCES / MOVING**

- Turn OFF water dispenser.
- Unplug the unit.
- If bottle still contains water, remove it quickly and carefully to avoid spillage.
- Put a container or bucket on the floor under the drain on the back of the unit to catch the water released from the drain tube.
- Remove the drain plug located on the side of the unit to release the water and empty both the tanks.



**Note: Remove drain plug by turning it in a “clockwise direction”. Please note not to use any tools to remove or install the drain plug. Use hands only.**

- After completing the drain process, replace the drain plug to its original position.
- You must store the unit at room temperature.
- Avoid storing the unit where the temperature is at or below freezing.
- When moving, the unit must be moved vertically. DO NOT move the unit in horizontal position as this may cause possible damage to internal parts.
- You must cover the unit to avoid dust and debris from entering the water guard.

## TROUBLESHOOTING GUIDE

### **If the power is switched on and the compressor will not start up:**

- Make sure the power cord is plugged in properly
- If the water dispenser is brought indoors in the winter, give it a few hours to warm up to room temperature before plugging it in. Cold bottled water or the temperature of the water dispenser itself may affect the thermostat setting. If the room temperature is lower than the thermostat setting or the water dispenser itself is cold the compressor will not start up. We do not advise that you make any adjustments to the thermostat setting.

### **If water dispenser operation is noisy:**

- Make sure the water dispenser sits on a level surface. If the dispenser is noisy after its first use, unplug it for half an hour and try again.

### **If the condenser becomes too hot:**

- When the compressor is working, it is normal for the condenser to be hot. If you are concerned that the temperature is too high, check to see that there is enough room around the water dispenser to allow proper ventilation.

### **If the cold water tap doesn't work and the cold water tank freezes**

- The cold water tap may freeze under extreme conditions. If the water is not being used, the cooling compartment is loaded and the compressor is running continuously, the cold water tank can freeze.
- To thaw the cold water tank, turn off the power, unplug the unit and remove the water bottle. Keep draining hot water and pouring it back into the water receptacle. Once the tank has thawed, place the bottle on the unit, plug the unit in again, and turn the hot and cold switches back on.

### **If the water is not cold enough:**

- This is due to either a compressor malfunction or the cold water may be in the OFF position.
- Check if the cold water is in the ON position.
- Cold water is used very frequently.

### **If water is dripping from the dispenser onto the floor:**

- The water bottle may have small pinholes or cracks and may be leaking.
- The drain plug in the rear may be improperly fastened. Check that the soft rubber seal is not torn or damaged.
- The drip tray may be full of water. Take out the drip tray and empty it before replacing it.

## LIMITED WARRANTY

### What is covered and for how long?

This warranty covers all defects in workmanship or materials for a period of:

**12 months labor (carry-in only)**  
**12 months parts**

The warranty commences on the date the item was purchased and the original purchase receipt must be presented to the authorized service center before warranty repairs are rendered.

**EXCEPTIONS: Commercial or Rental Use warranty**  
**90 days labor (carry-in only)**  
**90 days parts**  
**No other warranty applies**

### What is covered.

1. The mechanical and electrical parts, which serve as a functional purpose of this appliance, for a period of 12 months. This includes all parts except finish, and trim.

### What will be done?

1. We will repair or replace, at our discretion, any mechanical or electrical part which proves to be defective in normal usage during the warranty period so specified.
2. There will be no charge to the purchaser for parts and labor on any covered items during the initial 12 month period. Beyond this period, only parts are covered in the remaining warranty. Labor is not provided and must be paid by the customer.
3. Contact your nearest authorized service center. For the name of the nearest service center please visit our website at [www.HaierAmerica.com](http://www.HaierAmerica.com) or call 1-877-337-3639 for more information.

### THIS WARRANTY COVERS APPLIANCES WITHIN THE CONTINENTAL UNITED STATES, PUERTO RICO AND CANADA. IT DOES NOT COVER THE FOLLOWING:

Damages from improper installation.  
Damages in shipping.  
Defects other than manufacturing.  
Damage from misuse, abuse, accident, alteration, lack of proper care and maintenance or incorrect current or voltage.  
Damage from other than household use.  
Damage from service by other than an authorized dealer or service center.  
Decorative trims or replaceable light bulbs.  
Transportation and shipping.  
Labor (after the initial 12 months).

THIS LIMITED WARRANTY IS GIVEN IN LIEU OF ALL OTHER WARRANTIES, EXPRESSED OR, INCLUDING THE WARRANTIES OF MERCHANTABILITY AND FITNESS FOR A PARTICULAR PURPOSE.

The remedy provided in this warranty is exclusive and is granted in lieu of all other remedies.

This warranty does not cover incidental or consequential damages, so the above limitations may not apply to you. Some States do not allow limitations on how long an implied warranty lasts, so the above limitations may not apply to you.

This warranty gives you specific legal rights, and you may have other rights, which vary, from state to state.

Haier America  
New York, NY 10018

# CONSIGNES DE SÉCURITÉ

Lors de l'utilisation de cet appareil, des consignes de sécurité de base doivent être respectées, y compris ce qui suit :

1. **Lisez toutes les instructions avant d'utiliser cet appareil.**
2. N'utilisez cet appareil qu'aux fins prévues, comme il est décrit dans ce guide d'utilisation et d'entretien.
3. Ce distributeur d'eau doit être installé correctement conformément aux instructions d'installation avant d'être utilisé. Consultez les instructions de mise à la terre dans la section traitant de l'installation.
4. Ne débranchez jamais votre distributeur d'eau en tirant sur le cordon d'alimentation. Saisissez toujours la fiche fermement et tirez-la en ligne droite pour la sortir de la prise de courant.
5. Réparez ou remplacez immédiatement tous les cordons d'alimentation électrique qui s'effilochent ou autrement endommagés. N'utilisez pas de cordon si celui-ci, la fiche ou l'embout du connecteur présente des fissures ou d'autres dommages causés par l'abrasion.
6. Débranchez votre distributeur d'eau avant de le nettoyer ou de procéder à des réparations.

**Remarque:** Si pour une raison ou une autre ce produit nécessite un entretien, nous vous recommandons fortement de faire appel aux services d'un technicien agréé.

7. Ce distributeur d'eau ne doit pas être encastré ou incorporé dans une armoire. Il est conçu pour une installation amovible seulement.
8. Cet appareil est conçu pour un USAGE À L'INTÉRIEUR SEULEMENT et ne doit pas être utilisé à l'extérieur.
9. Ne faites pas fonctionner votre distributeur d'eau en présence de vapeurs explosives.
10. Vous devez exercer une étroite surveillance lorsque cet appareil est utilisé par des enfants ou en présence d'enfants.
11. Pour éviter les chocs électriques, n'immergez pas le cordon, la prise ou toute autre partie du distributeur d'eau dans l'eau ou tout autre liquide.

## CONSERVEZ CES INSTRUCTIONS

Nous vous remercions d'avoir choisi ce produit de la marque Afficionado. Ce guide convivial vous indiquera comment tirer le maximum de votre cave à vin.

Rappelez-vous de prendre en note les numéros de modèle et de série. Ces numéros se trouvent sur une étiquette apposée au dos de l'appareil.

Numéro de modèle

---

Numéro de série

---

Date d'achat

---

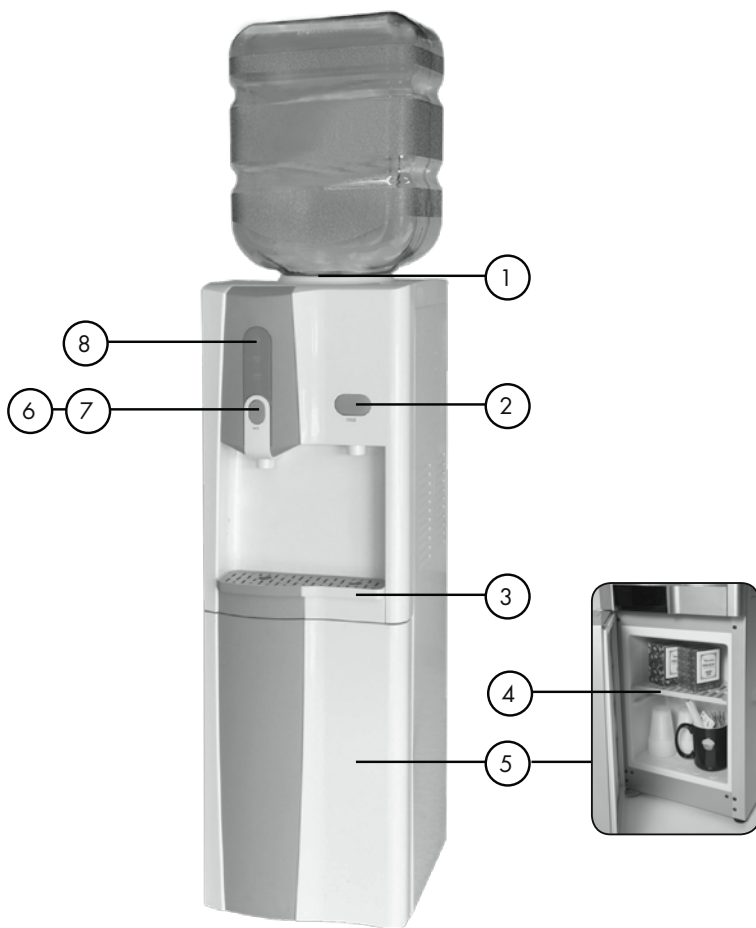
**Brochez votre reçu de caisse à votre guide. Vous en aurez besoin pour obtenir des services en vertu de la garantie.**



# TABLE DES MATIÈRES

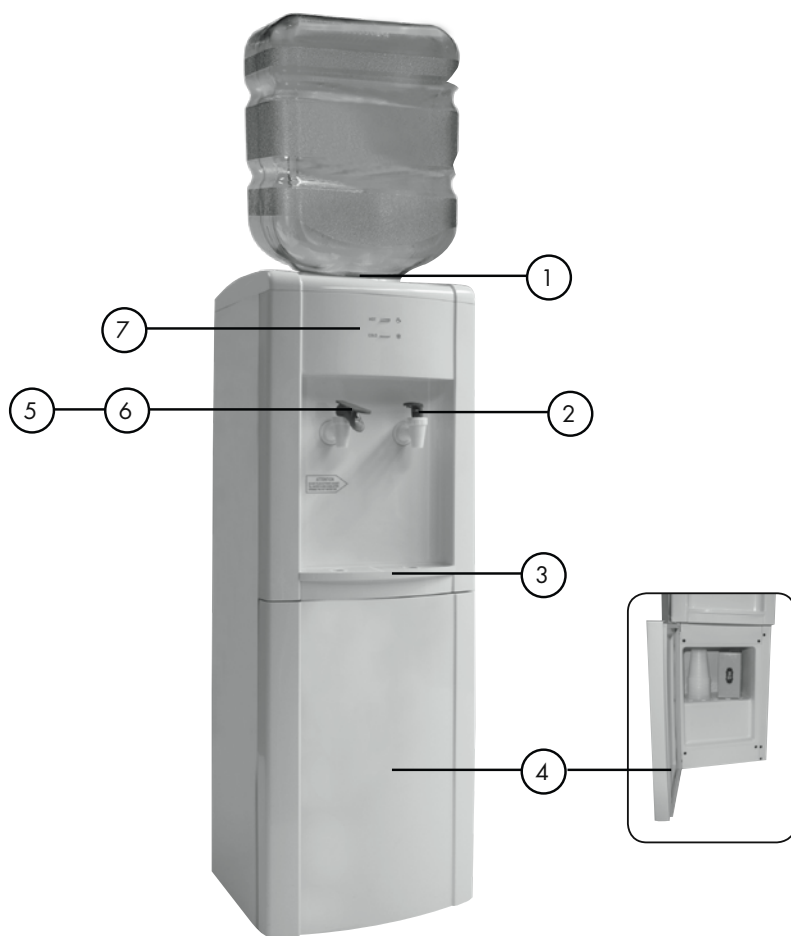
|   | PAGE         |
|---|--------------|
| <b>PRÉCAUTIONS DE SÉCURITÉ</b> .....                    | <b>1</b>     |
| <b>PIÈCES ET CARACTÉRISTIQUES</b> .....                 | <b>3-5</b>   |
| <b>INSTRUCTIONS D'INSTALLATION</b> .....                | <b>6-7</b>   |
| <b>INSTRUCTIONS DE DÉMARRAGE</b> .....                  | <b>8</b>     |
| <b>FONCTIONNEMENT DE VOTRE DISTRIBUTEUR D'EAU</b> ..... | <b>9</b>     |
| Boutons d'eau chaude/froide .....                       | <b>9</b>     |
| Leviers d'eau chaude/froide.....                        | <b>9</b>     |
| Interrupteurs d'eau chaude/froide.....                  | <b>9</b>     |
| Témoins lumineux d'eau chaude/froide .....              | <b>10</b>    |
| <b>CONNEXIONS ÉLECTRIQUES</b> .....                     | <b>10</b>    |
| Instructions de mise à terre.....                       | <b>10</b>    |
| Exigences de filage.....                                | <b>10</b>    |
| Rallonges électriques.....                              | <b>10</b>    |
| Interruptions de courant .....                          | <b>10</b>    |
| <b>PRÉCAUTIONS</b> .....                                | <b>11</b>    |
| <b>NETTOYAGE ET ENTRETIEN</b> .....                     | <b>11-12</b> |
| Général .....   | <b>11</b>    |
| Nettoyage des serpentins du condensateur .....          | <b>12</b>    |
| Déménagement/Absences longues.....                      | <b>12</b>    |
| <b>GUIDE DE DÉPANNAGE</b> .....                         | <b>13</b>    |
| <b>GARANTIES</b> .....                                  | <b>14</b>    |

## PIÈCES ET CARACTÉRISTIQUES – WDNS115BW



- |                             |  |
|-----------------------------|--|
| 1. Récipient d'eau          | 8. Témoins lumineux pour l'eau chaude, l'eau froide et le fonctionnement |
| 2. Bouton pour l'eau froide | 9. Drain (non-illustré/à l'arrière de l'appareil)                        |
| 3. Égouttoir amovible       | 10. Interrupteur d'eau froide (à l'arrière)                              |
| 4. Tablette amovible        | 11. Interrupteur d'eau chaude (à l'arrière)                              |
| 5. Espace de rangement      |  |
| 6. Bouton pour l'eau chaude |  |
| 7. Verrou de sécurité       |  |

## PIÈCES ET CARACTÉRISTIQUES – WDNS32BW



- |                                     |   |
|-------------------------------------|---|
| 1. Récipient d'eau                  | 7. Témoins lumineux pour l'eau chaude et l'eau froide |
| 2. Bouton pour l'eau froide (bleu)  | 8. Drain (non-illustré/à l'arrière de l'appareil)     |
| 3. Égouttoir amovible               | 9. Interrupteur d'eau froide (à l'arrière)            |
| 4. Espace de rangement              | 10. Interrupteur d'eau chaude (à l'arrière)           |
| 5. Bouton pour l'eau chaude (rouge) |   |
| 6. Verrou de sécurité               |   |

## PIÈCES ET CARACTÉRISTIQUES – WDNS121SS



- |  |   |
|--|---|
| 1. Récipient d'eau   | 9. Drain (non-illustré/à l'arrière de l'appareil) |
| 2. Bouton pour l'eau froide  | 10. Interrupteur d'eau froide (à l'arrière)       |
| 3. Égouttoir amovible  | 11. Interrupteur d'eau chaude (à l'arrière)       |
| 6. Bouton pour l'eau chaude  |   |
| 7. Verrou de sécurité  |   |
| 8. Témoins lumineux pour l'eau chaude, l'eau froide et le fonctionnement |   |

## INSTRUCTIONS D'INSTALLATION

1. Retirez tous les matériaux d'emballage. Cela inclut la base en styromousse ainsi que tous les rubans adhésifs retenant des accessoires à l'intérieur et à l'extérieur.
2. Inspectez l'appareil et enlevez tout résidu d'emballage, de ruban adhésif ou de matériel imprimé avant de mettre le distributeur d'eau en marche.

**Remarque:** Laissez le distributeur d'eau en position verticale pendant au moins 12 heures avant de le mettre sous tension.

### LE BON EMPLACEMENT

- Afin d'assurer l'efficacité maximale de votre distributeur d'eau, vous devez l'installer dans un emplacement où il y a une bonne circulation d'air et des connexions électriques appropriées.
- Les dégagements suivants sont recommandés autour du distributeur d'eau.
 

|         |               |
|---------|---------------|
| Côtés   | 2 po (50 mm)  |
| Arrière | 4 po (100 mm) |
- N'installez pas votre distributeur d'eau dans un endroit qui n'est pas adéquatement isolé et chauffé car l'appareil n'est pas conçu pour fonctionner à des températures inférieures à 55 °F/13 °C. Le distributeur d'eau est destiné à un usage à l'intérieur seulement. La température ambiante ne doit pas dépasser 97 °F/36 °C.

**Remarque:** Les thermostats conservent les températures chaudes et froides automatiquement. Sur les refroidisseurs d'eau froide du compresseur, la température de l'eau chaude sera entre 190 et 203 °F/ 88 et 95 °C et la température de l'eau froide sera entre 43 et 50 °F/6 et 10 °C.



- Choisissez un emplacement qui convient à l'appareil, sur une surface plane et dure, à l'abri du rayonnement direct du soleil et des sources de chaleur (p. ex., les radiateurs, plinthes chauffantes, appareils de cuisson, etc.

### MISE EN GARDE:

NE branchez PAS le distributeur d'eau avant d'avoir installé une bouteille pleine et que l'eau s'écoule des robinets d'eau chaude et d'eau froide.

**Remarque:** L'eau chaude et l'eau froide ne seront pas instantanément disponibles, car l'appareil a besoin de temps pour réchauffer et refroidir l'eau.

## **PRÉPARATION AVANT LA PREMIÈRE UTILISATION**

Avant de brancher l'appareil à la source d'alimentation, laissez-le debout pendant environ 12 heures. Cela réduira la possibilité de défaillance du système de refroidissement due à la manutention pendant le transport.

Le distributeur d'eau est prénettoyé à l'usine, mais le réservoir et la tuyauterie d'alimentation d'eau doivent être rincés à l'eau fraîche avant l'utilisation comme suit:

1. NE branchez PAS le distributeur d'eau.
2. Assurez-vous que le bouchon de vidange à l'arrière du distributeur d'eau est bien fermé.
3. Remplissez le réservoir à sa pleine capacité avec l'eau du robinet, attendez 5 minutes pour que l'eau se clarifie.
4. Activez le bouton de sécurité des enfants et appuyez sur le levier d'eau chaude jusqu'à ce que l'eau commence à s'écouler, puis arrêtez.
5. Branchez le distributeur dans la prise de courant.
6. Appuyez sur l'interrupteur d'eau chaude (à l'arrière de l'appareil) pour le mettre en position de marche (ON), l'interrupteur devrait être illuminé.
- A. Appuyez sur l'interrupteur d'eau froide (à l'arrière de l'appareil) pour le mettre en position de marche (ON), l'interrupteur devrait être illuminé.
- B. Attendez que l'eau chaude atteigne sa température dans environ 10 minutes.
- C. Attendez que l'eau froide atteigne sa température dans environ 40 minutes.
7. Fermez les interrupteurs d'eau chaude et d'eau froide et débranchez le distributeur de la prise de courant.
8. Videz l'eau en appuyant sur le bouton d'eau chaude, puis sur le bouton d'eau froide jusqu'à ce qu'il ne reste plus d'eau (pour faciliter cette opération, utilisez un grand récipient).
9. Pour vider toute eau restée dans le réservoir, ouvrez le bouchon de vidange situé à l'arrière du distributeur et laissez l'eau s'écouler complètement. N'oubliez pas de bien refermer le bouchon de vidange après la vidange.
10. Placez une bouteille d'eau de 3 ou 5 gallons sur la prise d'eau du distributeur; laissez reposer l'eau pendant environ une minute.
11. Appuyez sur les boutons des robinets d'eau pour vous assurer que l'eau s'écoule des deux robinets.
12. Branchez le distributeur dans la prise de courant.
13. Vous êtes maintenant prêt à utiliser votre distributeur d'eau.

## INSTRUCTIONS DE DÉMARRAGE

**Lisez attentivement et assurez-vous de bien comprendre toutes les instructions d'installation avant d'installer le distributeur d'eau.**

1. Enlevez d'abord le bouchon de la bouteille d'eau. Soulevez la bouteille d'eau et placez-la rapidement dans le récipient à eau. (La bouteille d'eau n'est pas comprise.)
2. NE branchez PAS le distributeur d'eau avant d'avoir vérifié que l'eau s'écoule des deux robinets lorsque vous appuyez sur les leviers d'eau chaude et d'eau froide. N'allumez jamais le distributeur d'eau quand il est vide. Cela pourrait enflammer l'appareil ou causer une défaillance.
3. Vérifiez que l'eau s'écoule en appuyant en même temps sur les robinets d'eau chaude et d'eau froide.
4. Branchez le cordon d'alimentation dans une prise de courant de 115 V 60 Hz.
5. Pour activer le chauffe-eau ou le refroidisseur d'eau, appuyez sur les interrupteurs d'eau chaude et d'eau froide de l'appareil pour les mettre en position de marche (ON), les interrupteurs devraient être illuminés.

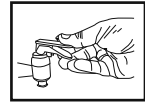
## FONCTIONNEMENT DE VOTRE DISTRIBUTEUR D'EAU

Ce distributeur d'eau garde de l'eau chaude et froide en tout temps pour vos besoins en cuisson et en boisson.

### WDNS121SS/WDNS32BW – BOUTONS POUR L'EAU FROIDE (BLEU) ET L'EAU CHAUDE (ROUGE)

- Appuyez sur le bouton pour activer de débit de l'eau
- Tirez sur le levier pour arrêter le débit de l'eau

**NOTE:** Le bouton d'eau chaude (rouge) est muni d'un verrou de sécurité pour prévenir le débit accidentel de l'eau chaude. Pour activer le débit d'eau chaude, le levier doit être comprimé puis abaissé.



### WDNS115BW – LEVIERS POUR L'EAU FROIDE ET L'EAU CHAUDE

Appuyez sur le levier pour activer le débit d'eau

**NOTE:** Le levier d'eau chaude (rouge) est muni d'un verrou de sécurité pour prévenir le débit accidentel de l'eau chaude. Pour activer le débit d'eau chaude, appuyez sur le bouton de verrou de sécurité lorsque vous activez le levier.

**ATTENTION:** Soyez prudent lorsque vous transportez de l'eau chaude dans une tasse ou un contenant pour éviter tout risque de blessure.

### INTERRUPTEUR D'EAU FROIDE (VERT) ET D'EAU CHAUDE (ROUGE) (à l'arrière de l'appareil)

#### Interrupteur d'eau froide (vert):

L'interrupteur d'eau froide met en marche le système de refroidissement d'eau

- Appuyez sur l'interrupteur pour le mettre en position « ON ». L'interrupteur devrait s'illuminer



**NOTE:** Lors que vous utilisez l'appareil pour la première fois, cela prend un certain temps avant que l'eau soit refroidie.

#### INTERRUPTEUR D'EAU CHAUDE (ROUGE) :

L'interrupteur d'eau chaude met en marche le système de chauffage d'eau.

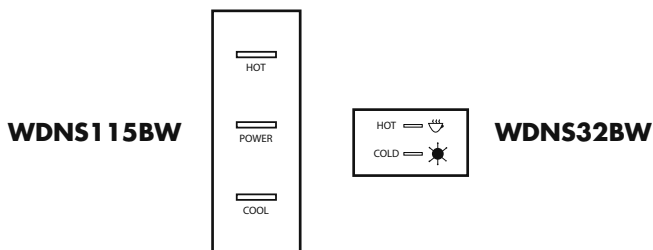
- Appuyez sur l'interrupteur pour le mettre en position « ON ». L'interrupteur devrait s'illuminer

**ATTENTION!** Soyez prudent lorsque vous transportez de l'eau chaude dans une tasse ou un contenant pour éviter tout risque de blessure.



## TÉMOINS LUMINEUX L'EAU CHAUDE (ROUGE) ET L'EAU FROIDE (VERT)

Lorsque les témoins lumineux sont allumés sur l'avant de l'appareil, les systèmes de chauffage de et refroidissement de l'eau sont en marche. Lorsque l'eau froide et l'eau chaude ont atteint leurs températures respectives, les témoins s'éteignent automatiquement. Normalement, l'eau chaude atteint sa température en premier.



## CONNEXIONS ÉLECTRIQUES

### INSTRUCTIONS DE MISE À TERRE

Cet appareil doit être mis à terre. Dans l'éventualité d'un court circuit électrique, la mise à la terre réduit les risques de choc électrique en fournissant un moyen de fuite pour le courant électrique. Cet appareil est muni d'un fil électrique contenant un fil et une fiche de mise à terre. La fiche doit être branchée dans une prise qui est installée et mise à terre correctement.

- L'usage abusif de la fiche peut résulter en choc électrique

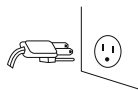


- Consulter un électricien qualifié ou un technicien si les instructions de mise à terre ne sont pas complètement comprises ou s'il y a doute à savoir si l'appareil est mis à terre correctement.

### EXIGENCES DE FILAGE

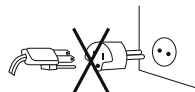
Cet appareil doit être branché dans une prise MISE À TERRE de 15Amp, 115 Volt, 60Hz.

**Note :** S'il s'agit d'une prise standard à deux broches, la responsabilité et l'obligation revient au consommateur de la faire remplacer par une prise adéquate mise à terre.



### RALLONGES ÉLECTRIQUES

Nous ne recommandons pas l'usage de rallonges électriques avec cet appareil.



### INTERRUPTIONS DE COURANT



Occasionnellement, il se peut qu'il y ait des interruptions de courant dues aux orages ou autres. Débranchez le fil électrique de la prise lors d'une panne de courant. Lorsque le courant est rétabli, rebranchez le fil électrique dans la prise.

## CONSIGNES DE SÉCURITÉ

- Cet appareil n'est pas conçu pour être utilisé par des personnes (y compris les enfants) dont les capacités physiques, sensorielles ou mentales sont réduites, ou qui manquent d'expérience et de connaissances, à moins d'être supervisées ou d'avoir reçu des instructions concernant l'utilisation de l'appareil par une personne responsable de leur sécurité.
- N'utilisez aucun dispositif mécanique ou autre moyen pour accélérer le dégivrage, à part ceux recommandés par le fabricant.
- N'endommagez pas le circuit du fluide frigorigène.
- N'utilisez pas d'appareils électriques à l'intérieur des compartiments à nourriture de l'appareil, sauf s'ils sont du type recommandé par le fabricant.
- Afin d'éviter les dangers dus à l'instabilité de l'appareil, celui-ci doit être fixé conformément aux instructions.

## ENTRETIEN ET NETTOYAGE APPROPRIÉS

### Mise en garde:

Avant d'utiliser un produit nettoyant, lisez et respectez toujours les instructions et avertissements du fabricant pour éviter de vous blesser ou d'endommager le produit.

### Remarque:

Il est préférable de nettoyer le distributeur et les surfaces environnantes lorsque vous remplacez une bouteille vide par une nouvelle bouteille. Ainsi, vous pouvez déplacer l'appareil facilement sans le poids de la bouteille.

### GÉNÉRALITÉS

- Avant de nettoyer, placez un pare-poussière sur le réservoir d'eau afin d'empêcher la poussière et les débris d'entrer dans le distributeur pendant le nettoyage.
- Préparez une solution nettoyante avec 3 ou 4 cuillérées à table de bicarbonate de soude dissoutes dans de l'eau chaude. Pour nettoyer l'appareil, servez-vous d'une éponge ou d'un linge doux, humidifié avec la solution nettoyante.

**AVERTISSEMENT: Avant de le nettoyer, débranchez toujours l'appareil pour éviter les chocs électriques. Le non-respect de cette consigne peut entraîner la mort ou une blessure.**

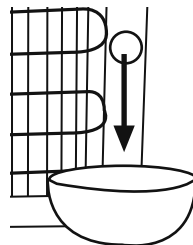
- Rincez avec de l'eau propre et chaude, puis séchez avec un linge doux.
- N'utilisez pas de substances chimiques fortes, d'abrasifs, d'ammoniaque, d'agent chloré de blanchiment, de détergents concentrés, de solvants ou de tampons à récurer métalliques. Certains de ces produits chimiques peuvent se dissoudre et endommager ou décolorer l'appareil.
- L'eau déversée dans le plateau d'égouttage doit être enlevée régulièrement et le plateau doit être nettoyé soigneusement pour éviter toute accumulation de bactéries et de résidus.
- Nous vous recommandons de nettoyer le distributeur d'eau au moins deux fois par année. Lorsque vous le nettoyez, il n'est pas nécessaire de démonter quoi que ce soit. Versez simplement la solution de bicarbonate de soude et d'eau dans le réservoir d'eau. Puis, rincez abondamment avec de l'eau et laissez s'écouler l'eau.
- Enlevez l'eau du plateau d'égouttage et nettoyez le compartiment avec un chiffon.

## NETTOYAGE DU SERPENTIN DU CONDENSATEUR

Nous vous recommandons d'éloigner le distributeur du mur et de passer l'aspirateur ou une brosse sur le serpentin à l'arrière de l'appareil au moins quatre fois par année. Il peut être nécessaire de nettoyer plus fréquemment dans certains environnements.

## LONGUES VACANCES OU ABSENCES/DÉMÉNAGEMENT

- Éteignez le distributeur d'eau.
- Débranchez l'appareil.
- Si la bouteille contient encore de l'eau, enlevez-la rapidement en faisant attention à ne pas renverser l'eau.
- Placez un récipient ou un sceau sous le drain à l'arrière de l'appareil pour recueillir l'eau qui s'écoulera du tuyau de vidange.
- Ôtez le bouchon de vidange situé sur le côté de l'appareil pour laisser sortir l'eau et vider les deux réservoirs.



**Remarque:** Ôtez le bouchon de vidange en le tournant dans le sens des aiguilles d'une montre.

Prenez note que vous ne devez pas utiliser d'outil pour enlever ou mettre le bouchon de vidange. Utilisez vos mains seulement.

- Quand la vidange est terminée, remplacez le bouchon de vidange à sa position originale.
- Vous devez ranger l'appareil à la température ambiante.
- Évitez de ranger l'appareil dans un endroit où la température est de zéro ou sous zéro.
- Lorsque vous déménagez, déplacez l'appareil verticalement. NE déplacez PAS l'appareil en position horizontale, car cela pourrait endommager des pièces à l'intérieur de l'appareil.
- Vous devez recouvrir l'appareil pour empêcher la poussière et les débris de s'introduire dans le réservoir d'eau.

## GUIDE DE DÉPANNAGE

### **Si l'appareil est mis en marche et que le compresseur ne démarre pas:**

- Assurez-vous que le cordon d'alimentation est bien branché.
- Si le distributeur d'eau est apporté à l'intérieur durant l'hiver, laissez-le réchauffer pendant quelques heures à la température ambiante avant de le brancher. L'eau froide embouteillée ou la température du distributeur d'eau lui-même peuvent influencer le réglage du thermostat. Si la température ambiante est inférieure au réglage du thermostat ou si le distributeur d'eau lui-même est froid, le compresseur ne démarrera pas. Il n'est pas recommandé d'effectuer des ajustements au réglage du thermostat.

### **Si le distributeur d'eau fonctionne bruyamment:**

- Assurez-vous que le distributeur d'eau repose sur une surface plane. Si le distributeur est bruyant après le premier usage, débranchez-le pendant une demi-heure et réessayez.

### **Si le condensateur devient trop chaud:**

- Quand le compresseur fonctionne, il est normal que le condensateur soit chaud. Si vous pensez que la température est trop élevée, vérifiez si le dégagement est suffisant autour du distributeur d'eau pour permettre une bonne ventilation.

### **Si le robinet d'eau froide ne fonctionne pas et que le réservoir d'eau froide gèle:**

- Le robinet d'eau froide peut geler dans des conditions extrêmes. Si l'eau n'est pas utilisée, le compartiment de refroidissement est chargé et le compresseur fonctionne continuellement, le réservoir d'eau froide peut geler.
- Pour dégeler le réservoir d'eau froide, éteignez l'appareil, débranchez-le et enlevez la bouteille d'eau. Faites s'écouler l'eau chaude et versez-la à nouveau dans le récipient à eau. Une fois que le réservoir est dégelé, remplacez la bouteille sur l'appareil, rebranchez ce dernier et appuyez sur les interrupteurs d'eau chaude et d'eau froide.

### **Si l'eau n'est pas assez froide:**

- Cela peut être dû à une défaillance du compresseur ou l'interrupteur d'eau froide peut être à la position d'arrêt (OFF).
- Vérifiez si l'interrupteur d'eau froide est en position de marche (ON).
- L'eau froide est utilisée très fréquemment.

### **Si l'eau dégoutte du distributeur sur le plancher:**

- La bouteille a peut-être des trous d'épingle ou des fissures et peut couler.
- Le bouchon de vidange à l'arrière est peut-être mal fermé. Vérifiez si le joint d'étanchéité en caoutchouc mou est déchiré ou endommagé.
- Le plateau d'égouttage est peut-être plein d'eau. Retirez le plateau d'égouttement et videz-le avant de le replacer.

## GARANTIE LIMITÉE

### Que recouvre la garantie et pour combien de temps ?

Cette garantie recouvre tous les défauts de fabrication ou de matériaux pour une période de :

**12 mois pour la main d'œuvre (au service uniquement)**

**12 mois pour les pièces (au service uniquement)**

**5 ans pour système frigorifique (au service uniquement)**

La garantie prend effet à compter de la date d'achat de l'article et l'original de la facture doit être présenté au centre de services agréé avant d'effectuer toute réparation.

### EXCEPTIONS : garantie pour une utilisation commerciale ou en cas de location

**90 jours pour la main d'œuvre (au service après-vente uniquement)**

**90 jours pour les pièces Aucune autre**

**garantie appliquée**

### Qu'est-ce qui est couvert ?

1. Les pièces mécaniques et électriques essentielles au bon fonctionnement de cet appareil sont garanties pendant 12 mois. Cela comprend toutes les pièces sauf la finition et l'habillage.
2. Les composants du système frigorifique comme le compresseur, le condensateur et l'évaporateur sont couverts par la garantie pour tout défaut de détérioration de ce type de composant provoquée par une mauvaise utilisation du matériel, une mauvaise manipulation ou lors du transport n'est pas couverte par cette garantie.

### Quelles seront mesures prises

1. Nous nous réservons le droit de réparer et de remplacer toute pièce mécanique ou électrique défectueuse lors d'une utilisation normale pendant la période de garantie spécifiée.
2. Les pièces et la main d'œuvre ne seront facturées à l'acheteur pour aucun article couvert par la garantie pendant la période initiale de 12 mois.

3. Veuillez contacter votre centre de services agréé le plus proche. Pour obtenir le nom de votre centre de services le plus proche, veuillez appeler le 1-877-337-3639.

### CETTE GARANTIE COUVRE LES APPAREILS ÉLECTROMÉNAGERS SUR LE CONTINENT NORD-AMÉRICAIN (ÉTATS-UNIS ET CANADA) ET À PORTO RICO.

ELLE NE COUVRE PAS CE QUI SUIT :

Les dommages dus à une mauvaise installation.

Les dommages survenus pendant le transport.

Les vices autres que de fabrication.

Les dommages dus à une mauvaise utilisation, à une utilisation excessive, à une altération, au manque d'entretien et à une tension ou un voltage incorrects.

Les dommages imputables à une utilisation autre que domestique.

Les dommages dus à une réparation effectuée par un service autre que le revendeur agréé ou le centre de services.

L'habillage et les ampoules.

Le transport et l'expédition.

La main d'œuvre (après les 12 mois initiaux).

IL N'EXISTE AUCUNE AUTRE GARANTIE QUE CETTE GARANTIE LIMITÉE, EXPRIMÉE OU IMPLICITE, INCLUANT LES GARANTIES DE QUALITÉ MARCHANDE OU D'APTITUDE DANS UN BUT PARTICULIER.

Les réparations fournies par la présente garantie sont exclusives et remplacent toute autre réparation.

Cette garantie ne couvre pas les dommages indirects ou secondaires. Dans ce cas, les limitations ci-dessus peuvent ne pas être applicables. Certains états n'autorisent pas les limitations sur la durée d'une garantie implicite. Dans ce cas, les limitations ci-dessus peuvent ne pas être applicables. Cette garantie vous reconnaît certains droits juridiques ; Il est possible que vous disposiez d'autres droits, pouvant varier d'un état à l'autre.

Haier America  
New York, NY 10018

# PRECAUCIONES DE SEGURIDAD

**Siempre que opere esta unidad tenga en cuentas las normas básicas de seguridad incluyendo las siguientes:**

- 1. Lea todas las instrucciones antes de utilizar esta unidad.**
2. Utilice esta unidad sólo para su uso entendido, como se describe en este manual y guía de cuidados.
3. Este Dispenser de agua debe instalarse adecuadamente de acuerdo a las instrucciones provistas en este manual antes de utilizarse. Vea las instrucciones de conexión a tierra.
4. Nunca desenchufe esta unidad tirando del cable. Siempre sostenga firmemente el enchufe y tire hacia atrás.
5. Repare o reemplace inmediatamente los cables de corriente que estén dañados o presenten abrasiones. No utilice cables que muestren rajaduras a lo largo del mismo ni enchufes o conectores dañados.
6. Desenchufe la unidad antes de limpiar o antes de hacer alguna reparación.
 

**Nota:** Si por alguna razón este producto necesita ser reparado nosotros recomendamos que la reparación sea realizada por un service calificado.
7. Este dispenser no debe ubicarse en un gabinete cerrado. Esta diseñado para la instalación libre únicamente.
8. No opere el dispenser en presencia de gases explosivos.
9. Se necesita una supervisión cercana cuando es operado por chicos.
10. Para protegerse de shocks eléctricos no sumerja el cable, enchufe o alguna otra parte del dispenser en agua u otros líquidos.
11. Para proteger contra el golpe eléctrico, no sumerge la cuerda, el tapón, ni cualquier otra parte del abastecedor de agua en el agua ni otros líquidos.

## GUARDE ESTAS INSTRUCCIONES

Gracias por utilizar nuestro producto Haier. Este manual de fácil uso lo guiará para obtener los mejores resultados de este producto.

Recuerde de tomar nota del modelo y número de serie. Estos se encuentran en la etiqueta en la parte trasera de la unidad

---

*Número de modelo*

---

*Número de serie*

---

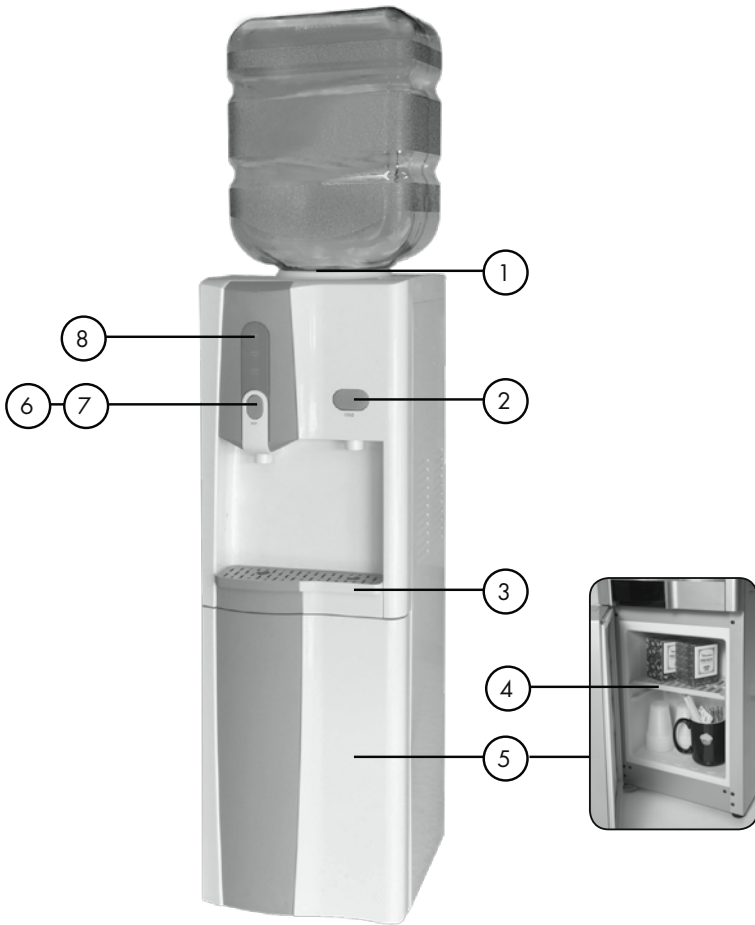
*Fecha de compra*

**Abroche su recibo al manual. Lo necesitará para obtener el servicio de garantía.**

# CONTENIDOS

|   | PAGE         |
|---|--------------|
| <b>PRECAUCIONES DE SEGURIDAD</b> .....                    | <b>1</b>     |
| <b>PIEZAS Y FUNCIONES</b> .....                           | <b>3-5</b>   |
| <b>INSTRUCCIONES DE INSTALACIÓN</b> .....                 | <b>6-7</b>   |
| <b>INSTRUCCIONES PARA LA PUESTA EN MARCHA</b> .....       | <b>8</b>     |
| <b>FUNCIONAMIENTO DE SU SURTIDOR DE AGUA</b> .....        | <b>9</b>     |
| Botones de agua fría y caliente .....                     | <b>9</b>     |
| Palancas de agua fría y caliente .....                    | <b>9</b>     |
| Interruptores de encendido del agua fría y caliente ..... | <b>9</b>     |
| Luces indicadoras de agua fría y caliente .....           | <b>10</b>    |
| <b>CONEXIONES ELÉCTRICAS</b> .....                        | <b>10</b>    |
| Instrucciones para la conexión a tierra .....             | <b>10</b>    |
| Requisitos para la instalación eléctrica .....            | <b>10</b>    |
| Cables de prolongación .....                              | <b>10</b>    |
| Cortes de energía .....                                   | <b>10</b>    |
| <b>PRECAUCIONES</b> .....                                 | <b>11</b>    |
| <b>CUIDADO ADECUADO Y LIMPIEZA</b> .....                  | <b>11-12</b> |
| General .....   | <b>11</b>    |
| Limpieza de los serpentines del condensador .....         | <b>12</b>    |
| Vacaciones o ausencias prolongadas / Mudanza .....        | <b>12</b>    |
| <b>GUÍA DE RESOLUCIÓN DE PROBLEMAS</b> .....              | <b>13</b>    |
| <b>GARANTÍA</b> .....                                     | <b>14</b>    |

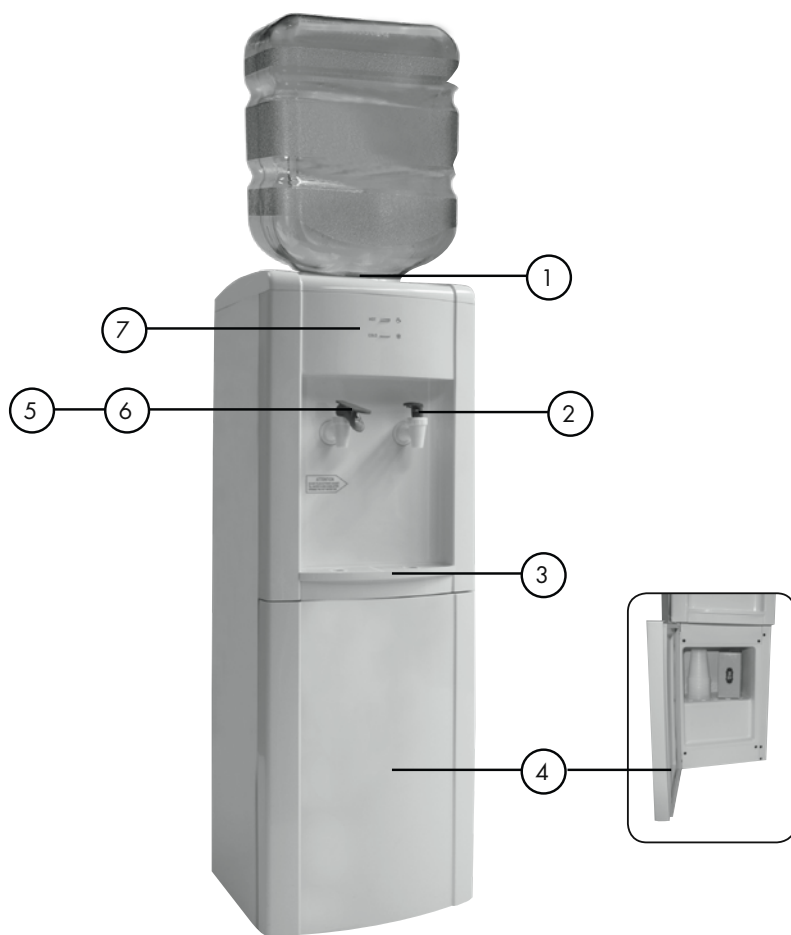
## PIEZAS Y FUNCIONES - WDNS115BW



1. Receptáculo para agua
2. Botón para el agua fría
3. Bandeja de goteo extraíble
4. Bandeja extraíble
5. Compartimiento para el guardado
6. Botón para el agua caliente
7. Dispositivo de seguridad para niños
8. Luces indicadoras de agua caliente, agua fría y encendido
9. Desagüe (no se muestra/parte posterior de la unidad)
10. Interruptor para el agua fría (en la parte trasera)
11. Interruptor para el agua caliente (en la parte trasera)

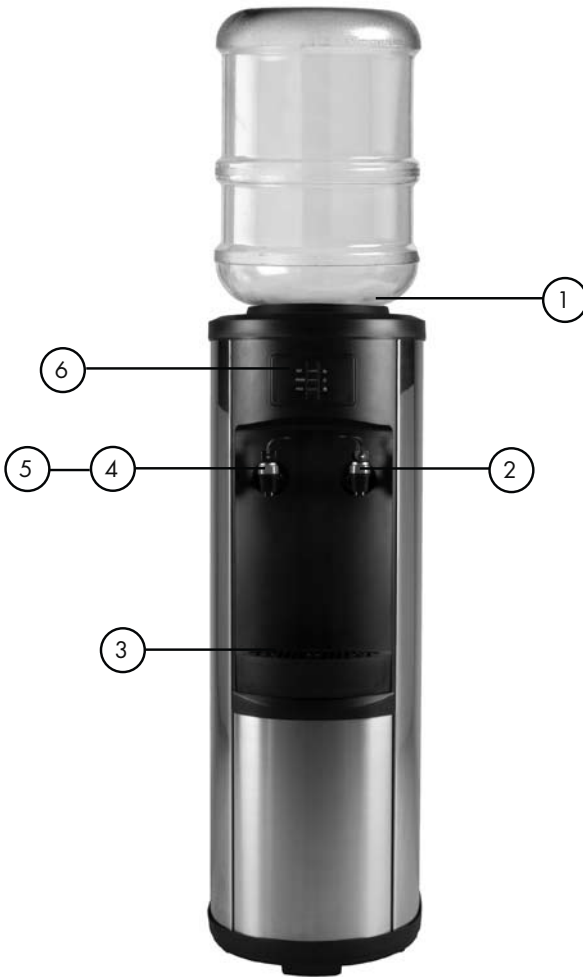


## PIEZAS Y FUNCIONES - WDNS32BW



- |  |   |
|--|---|
| 1. Receptáculo para agua               | 7. Luces indicadoras de agua caliente y fría.               |
| 2. Botón para el agua fría (azul)      | 8. Desagüe (no se muestra/parte posterior de la unidad)     |
| 3. Bandeja de goteo extraíble          | 9. Interruptor para el agua fría (en la parte trasera)      |
| 4. Compartimiento para el guardado     | 10. Interruptor para el agua caliente (en la parte trasera) |
| 5. Botón para el agua caliente (rojo)  |   |
| 6. Dispositivo de seguridad para niños |   |

## PIEZAS Y FUNCIONES - WDNS121SS



1. Receptáculo para agua
2. Botón para el agua fría
3. Bandeja de goteo extraíble
4. Botón para el agua caliente
5. Dispositivo de seguridad para niños
6. Luces indicadoras de agua caliente, agua fría y encendido
7. Desagüe (no se muestra/parte posterior de la unidad)
8. Interruptor para el agua fría (en la parte trasera)
9. Interruptor para el agua caliente (en la parte trasera)

## INSTRUCCIONES DE INSTALACIÓN

1. Quite todos los materiales de empaque. Esto incluye la base de espuma y toda la cinta adhesiva que sostiene los accesorios por dentro y por fuera.
2. Revise y quite los restos de embalaje, cinta o materiales impresos antes de encender el surtidor de agua.

**Nota:** Deje el surtidor de agua en posición vertical durante al menos 12 horas antes de encender la unidad.

### UBICACIÓN CORRECTA

- Para asegurarse de que el surtidor de agua funcione con la eficiencia máxima para la que fue diseñado, debe instalarlo en un lugar donde haya una circulación de aire adecuada y conexiones eléctricas.
- Los siguientes son las áreas despejadas recomendadas alrededor del surtidor de agua.  
Lados 2" (50mm)  
Atrás 4" (100mm)
- No instale el surtidor de agua en lugares en los que no esté correctamente aislado o calefaccionado dado que la unidad no fue diseñada para funcionar a temperaturas ambiente inferiores a 55°F / 13°C. Este surtidor de agua fue diseñado para ser usado únicamente en el interior.

La temperatura ambiente no debe superar los 97° F / 36° C.

**Nota:** Los termostatos mantienen las temperaturas del agua caliente y fría automáticamente. En el compresor [On the compressor cooled water coolers the hot water temperature will be] la temperatura del agua caliente será de entre 190°-203° F/ 88°- 95° C y la temperatura del agua fría será de entre 43°- 50° F/ 6°-10° C.

- Seleccione una ubicación adecuada para la unidad en una superficie dura y pareja, lejos de la luz directa del sol y de las fuentes de calor (por ejemplo, radiadores, zócalos radiantes, artefactos de cocina, etc.).

**PRECAUCIÓN:** NO enchufe el surtidor de agua hasta que el botellón lleno



se instale y el agua fluya de los grifos de agua caliente y fría.

**NOTA:** El agua caliente y fría no estará disponible instantáneamente, ya que la unidad necesitará tiempo para calentar y enfriar el agua.

## **PREPARATIVOS ANTES DE LA PRIMERA PUESTA EN MARCHA**

Antes de conectar la unidad con la fuente de energía, déjela en posición vertical durante aproximadamente 12 horas. De esta manera se reduce la posibilidad de mal funcionamiento del sistema de enfriamiento provocado por la manipulación de la unidad durante su transporte.

El surtidor de agua recibió una limpieza previa en la fábrica, pero el depósito y las tuberías de agua deben enjuagarse con agua fresca antes del uso de la siguiente manera:

1. NO enchufe el surtidor de agua.
2. Asegúrese de que el tapón de desagüe que se encuentra en la parte posterior del surtidor de agua esté firmemente cerrado.
3. Llene el tanque de agua con agua del grifo hasta que esté lleno, espere 5 minutos hasta que el agua se asiente.
4. Deslice el botón de seguridad para niños y presione la palanca de agua caliente hasta que el agua comience a salir, luego deténgase.
5. Enchufe el surtidor en el tomacorriente.
6. Presione el botón ON/OFF (encendido/apagado).
  - A. Presione HOT/+ (CALIENTE/+)
  - B. Presione Cold/- (Fría/-)
  - C. Espere hasta que el agua caliente alcance la temperatura correcta, aproximadamente 10 minutos.
  - D. Espere hasta que el agua fría alcance la temperatura correcta, aproximadamente 40 minutos.
7. Presione el botón ON/OFF (ENCENDIDO/APAGADO) y desenchufe el surtidor del tomacorriente.
8. Desagüe el agua presionando el botón de agua caliente y luego el botón de agua fría, hasta que no quede nada de agua (para facilitar esta operación, use un recipiente grande).
9. Desagüe el agua que pueda quedar en los tanques abriendo el tapón de desagüe ubicado en la parte posterior del surtidor, hasta que no haya agua. Recuerde cerrar el tapón de desagüe con firmeza después del desagüe.
10. Coloque un botellón de agua de 5 o 3 galones en la entrada de agua del surtidor; deje que el agua se asiente durante aproximadamente un minuto.
11. Presione los botones de los grifos de agua para asegurarse de que el agua fluya por los dos grifos.
12. Enchufe el surtidor en el tomacorriente.
13. Ahora está listo para usar el surtidor de agua.

## INSTRUCCIONES PARA LA PUESTA EN MARCHA

**Lea detenidamente e interprete todas las instrucciones antes de instalar el surtidor de agua.**

1. Primero, retire la tapa del botellón de agua. Levante el botellón de agua y colóquelo rápidamente en el receptáculo para el agua. (El botellón de agua no está incluido.)
2. **NO enchufe el surtidor de agua hasta haber verificado que el agua fluya por los dos grifos cuando se presionan las palancas de agua caliente y fría. No encienda nunca el surtidor sin agua. Si lo hace, la unidad puede incendiarse o funcionar mal.**
3. Verifique que el agua fluya presionando los grifos de agua caliente y fría de a uno por vez.
4. Enchufe el cable de energía en un tomacorriente de 115 voltios / 60 Hz.
5. Para activar el enfriador y el calentador del agua, presione el botón On/Off (Encendido/Apagado), luego presione Hot/+ (Caliente/+) y Cold/- (Fría/-).

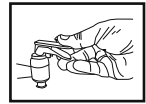
## FUNCIONAMIENTO DE SU SURTIDOR DE AGUA

Este surtidor de agua mantiene el agua caliente y fría de manera instantánea tanto para cocinar como para beber. Puede utilizarse con botellones de agua de 3 o 5 galones.

### BOTONES DE AGUA FRÍA (AZUL) / CALIENTE (ROJO) DE WDNS32BW

- Presione el botón para liberar el flujo de agua.
- Jale la palanca hacia arriba para detener el flujo de agua.

**NOTA:** El botón de agua caliente (rojo) está equipado con un dispositivo de seguridad para niños para evitar que se derrame agua caliente accidentalmente. Para liberar el flujo del agua caliente, debe apretarse la palanca y luego presionarla para abajo.



### PALANCAS DE AGUA FRÍA Y CALIENTE DE WDNS115BW

Presione el botón para liberar el flujo de agua.

**NOTA:** El grifo de agua caliente está equipado con un dispositivo de seguridad para niños para evitar que se derrame agua caliente accidentalmente. Para liberar el flujo de agua caliente, presione el botón del dispositivo de seguridad para niños mientras presiona el botón del agua caliente.

**PRECAUCIÓN:** Tenga cuidado cuando lleve agua caliente en su taza o recipiente para evitar que se derrame y provoque lesiones o daños.

### INTERRUPTORES DE ENCENDIDO DEL AGUA FRÍA (VERDE) Y CALIENTE (ROJO)

(Parte posterior de la unidad)

Interruptor de agua fría (verde):

El interruptor de agua fría activa el proceso de enfriamiento cuando se enciende.

- Presione el interruptor hasta ponerlo en la posición ON (ENCENDIDO). Debe encenderse el interruptor.

**NOTA:** Cuando se enciende la unidad por primera vez, lleva un poco de tiempo enfriar el agua.

### Interruptor de agua caliente (rojo)

El interruptor de agua caliente activa el proceso de calentamiento cuando se enciende.

- Presione el interruptor hasta ponerlo en la posición ON (ENCENDIDO). Debe encenderse el interruptor.

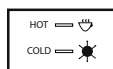
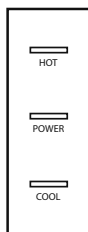
**PRECAUCIÓN!** Tenga cuidado cuando lleve agua caliente en su taza o recipiente para evitar que se derrame y provoque lesiones o daños.



## LUCES INDICADORAS DE AGUA FRÍA (VERDE) Y CALIENTE (ROJO)

Cuando se iluminan las luces verde y roja en el frente de la unidad, están en funcionamiento los procesos de calentamiento y enfriamiento. Cuando el agua fría y caliente alcanzan las temperaturas adecuadas, las dos luces se apagan automáticamente. Normalmente, el agua caliente alcanza la temperatura adecuada primero.

**WDNS115BW**



**WDNS32BW**

## CONEXIONES ELÉCTRICAS

### INSTRUCCIONES DE PUESTA A TIERRA

Este artefacto debe tener conexión a tierra. En el caso de un cortocircuito eléctrico, la conexión a tierra reduce el riesgo de descarga eléctrica al proporcionar un cable de escape para la corriente eléctrica. Este artefacto está equipado con un cable que cuenta con conexión a tierra y un enchufe con descarga a tierra. El enchufe debe insertarse en un tomacorriente que se encuentre debidamente instalado y con conexión a tierra.

- El uso indebido del enchufe puede representar un riesgo de descarga eléctrica.



- Consulte a un electricista o técnico de reparaciones calificado si no comprende completamente las instrucciones de puesta a tierra o si no está seguro de si el artefacto cuenta con la conexión a tierra apropiada.

### REQUISITOS PARA LA INSTALACIÓN ELÉCTRICA

Este artefacto debe enchufarse en un TOMACORRIENTE CON DESCARGA A TIERRA de 15 amperes, 115 Voltios, 60Hz.

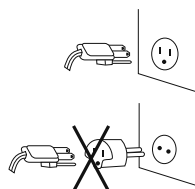
**NOTA:** Cuando se cuenta con un tomacorriente estándar de pared de dos agujeros, es responsabilidad y obligación personal del usuario reemplazarlo por un tomacorriente de pared con tres agujeros con la adecuada conexión a tierra.

### CABLES DE PROLONGACIÓN

No recomendamos el uso de cables de prolongación con esta unidad.

### CORTES DE ENERGÍA

Ocasionalmente, puede haber cortes de energía debido a tormentas eléctricas u otras causas. Desenchufe el cable de alimentación del tomacorriente de la pared cuando haya un corte de energía. Una vez que se restablezca la energía, vuelva a enchufar el cable de alimentación en el tomacorriente de la pared.



## PRECAUCIONES

- Este artefacto no fue diseñado para que lo usen personas (niños incluidos) con capacidades físicas, sensoriales o mentales disminuidas, ni falta de experiencia y conocimiento, a menos que, por su seguridad, una persona responsable los supervise o instruya en relación con el uso del artefacto.
- No utilice dispositivos mecánicos ni otros medios para acelerar el proceso de descongelamiento, a excepción de lo recomendado por el fabricante.
- No dañe el circuito refrigerante.
- No use artefactos eléctricos dentro del compartimiento de guardado de alimentos del artefacto, a menos que sean del tipo recomendado por el fabricante.
- Para evitar riesgos debido a la inestabilidad del artefacto, éste debe estar fijo de acuerdo con las instrucciones.

## CUIDADO Y LIMPIEZA ADECUADOS

**PRECAUCIÓN:** Antes de utilizar productos de limpieza, lea y siga siempre las instrucciones del fabricante, así como también las advertencias, para evitar lesiones personales y daños al producto.

**NOTA:** Se recomienda limpiar el surtidor y el área que lo rodea cuando se reemplaza el botellón de agua con uno nuevo. De esta manera puede mover la unidad con facilidad sin el peso del botellón.

### GENERAL

- Antes de limpiar, coloque una funda para proteger del polvo sobre el protector del agua para evitar que pase polvo y suciedad al surtidor cuando se lo limpia.
- Prepare una solución de limpieza con 3 o 4 cucharadas de bicarbonato de sodio mezcladas con agua tibia. Utilice una esponja o paño suave.



**¡ADVERTENCIA!**

**Desenchufe siempre la unidad antes de limpiarla para evitar descargas eléctricas. Si no se cumple con este paso, las consecuencias pueden ser la muerte o lesiones personales.**

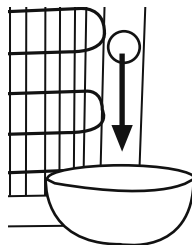
- No utilice productos químicos fuertes, abrasivos, amoníaco, blanqueador con cloro, detergentes concentrados, solventes o esponjas de metal texturizado. Algunos de estos productos químicos pueden disolver, dañar o desteñir la unidad.
- El agua que se derrama en la bandeja para goteo debe quitarse con regularidad y limpiarse adecuadamente para evitar la formación de bacterias y residuos.
- Le recomendamos que limpie el surtidor de agua al menos dos veces al año. Cuando lo limpie, no es necesario que desarme todo. Simplemente vierta la solución de bicarbonato de sodio/agua por el protector del agua. Luego enjuague con abundante agua y permita que el agua drene.
- Retire el agua acumulada de la bandeja para goteo y limpie el compartimiento.

**LIMPIEZA DE LOS SERPENTINES DEL CONDENSADOR**

Le recomendamos que aleje el surtidor de la pared y aspire o cepille los serpentines que se encuentran en la parte posterior de la unidad al menos 4 veces al año. Algunos ambientes de funcionamiento pueden requerir de limpiezas más frecuentes.

**VACACIONES O AUSENCIAS PROLONGADAS / MUDANZA**

- Apague el surtidor de agua.
- Desenchufe la unidad.
- Si el botellón aún contiene agua, retírela rápidamente y con cuidado para evitar que se derrame.
- Coloque un recipiente o balde en el piso debajo del desagüe en la parte de atrás de la unidad para que caiga el agua del tubo de desagüe.
- Retire el tapón de desagüe ubicado al costado de la unidad para que caiga el agua y se vacíen los dos tanques.



**Note:** Retire el tapón de desagüe girándolo hacia la derecha. Tenga en cuenta que no deben utilizarse herramientas para retirar o instalar el tapón de desagüe. Utilice únicamente las manos.

- Después de finalizar el proceso de desagüe, vuelva a colocar el tapón de desagüe en su posición original.
- Debe guardar la unidad a temperatura ambiente.
- Evite guardar la unidad en lugares en los que la temperatura esté en el punto de congelación o por debajo de este punto.
- Cuando mueva la unidad, ésta debe estar en posición vertical. NO mueva la unidad en posición horizontal, ya que se pueden producir daños en las piezas internas.
- Debe cubrir la unidad para evitar que entre polvo o suciedad en el protector para el agua.

## GUÍA PARA LA DETECCIÓN Y SOLUCIÓN DE PROBLEMAS

### **Si la unidad está encendida y el compresor no se pone en funcionamiento:**

- Asegúrese de que el cable de energía esté bien enchufado
- Si el surtidor de agua se ubica en el interior en el invierno, permita que llegue a la temperatura ambiente antes de enchufarlo. El agua fría embotellada o la temperatura del surtidor mismo pueden afectar la configuración del termostato. Si la temperatura ambiente es inferior a la configuración del termostato, o el surtidor de agua mismo está frío, éste no se pondrá en funcionamiento. No le recomendamos que realice ajustes a la configuración del termostato.

### **Si el funcionamiento del surtidor de agua es ruidoso:**

- Asegúrese de que el surtidor de agua esté apoyado en una superficie nivelada. Si el surtidor es ruidoso después de su primer uso, desenchúfelo durante media hora e intente nuevamente.

### **Si el condensador se calienta demasiado:**

- Cuando el compresor está funcionando, es normal que el condensador esté caliente. Si le preocupa que la temperatura sea demasiado elevada, verifique que haya suficiente espacio alrededor del surtidor de agua para que la ventilación sea adecuada.

### **Si el grifo de agua fría no funciona y el tanque de agua fría se congela**

- El grifo de agua fría puede congelarse en condiciones extremas. Si el agua no se está utilizando, el compartimiento de enfriamiento está cargado y el compresor funciona de manera continua, el tanque de agua fría puede congelarse.
- Para descongelar el tanque de agua fría, apague la unidad, desenchúfela y retire el botellón de agua. Siga drenando el agua caliente y vuelva a verterla en el receptáculo para el agua. Una vez que el tanque se descongele, coloque el botellón en la unidad, enchúfela nuevamente y vuelva a encender los interruptores de agua fría y caliente.

### **Si el agua no está lo suficientemente fría:**

- Esto se debe a un mal funcionamiento del compresor o a que el agua fría esté en la posición OFF (APAGADO).
- Verifique que el agua fría esté en la posición ON (ENCENDIDO).
- El agua fría se utiliza con mucha frecuencia.

### **Si gotea agua del surtidor al piso:**

- El botellón de agua puede tener agujeros pequeños o grietas y puede estar goteando.
- El tapón de desagüe que se encuentra en la parte posterior de la unidad puede estar mal cerrado. Verifique que la junta suave de goma no esté rasgada o dañada.

## GARANTIA LIMITADA

### Que es lo que cubre y por cuanto tiempo?

Esta garantía cubre todos los defectos en el funcionamiento o materiales por un período de tiempo de:

**12 meses labor (En el lugar de centro de servicios)  
12 meses partes**

La garantía comienza desde la fecha de compra del producto, la factura original de compra debe presentarse en el centro de atención autorizado antes de hacer uso de los servicios de la garantía.

**EXEPCIONES: Uso comercial o renta**

**90 días labor (en lugar del centro de servicios)  
90 días partes No aplica  
ninguna otra garantía**

### Qué cubre?

1. Las partes mecánicas y eléctricas que hacen al funcionamiento de la unidad por un período de 12 meses. Esto incluye todas las partes a excepción del acabado y pintura.

### Que se hará y como se obtiene el servicio?

1. Nosotros repararemos o cambiaremos a nuestra discreción cualquier parte mecánica o eléctrica que se muestre defectuosa en la operatoria normal y dentro del período especificado.
2. No habrá cargos para el comprador por la labor sobre los ítem mencionados que se realizara dentro de los 12 meses iniciales. Luego de este período inicial sólo las parte serán cubiertas en la garantía restante. La labor debe ser abonada por el cliente.
3. Contacte a su centro de servicios autorizado por HAIER más cercano. Para obtener el nombre del Centro

de Servicios más cercano llame al: 1-877-337-3639 o visite nuestro sitio web [www.haieramerica.com](http://www.haieramerica.com)

### **ESTA GARANTIA ACANZA A TODOS ELECTRODOMESTICOS DENTRO DE LOS ESTADOS UNIDOS, CANADA Y PUERTO RICO. NO ALCANZA LO SIGUIENTE:**

Daños por instalación inadecuada  
Daños en el embarque.

Daños por desuso, accidente, abuso, alteración, falta de cuidado y mantenimiento adecuado, uso del voltaje inapropiado.

Daños por otro uso que no sea el doméstico.

Daños realizados por un técnico o persona no autorizada por HAIER. Adornos decorativos, lámpara de luz, vidrio.

Transporte y gastos de embarque.

Labor (luego de los 12 meses iniciales)

ESTA GARANTIA LIMITADA ESTA DADA EN LUGAR DE CUALQUIER OTRA GARANTIA, EXPRESAS O NO, INCLUYENDO LA GARANTIA DE COMERCIALIZACION O PARA UN PROPOSITO EN PARTICULAR.

Las soluciones provistas en esta garantía son exclusivas y concedidas en lugar de cualquier otra garantía.

Esta garantía no cubre daños incidentales o consiguientes, de modo que las limitaciones anteriores pueden no alcanzarlo. Algunos Estados no permiten limitaciones en cuanto la duración de una garantía implícita, de modo que las limitaciones anteriores pueden no alcanzarlo.

Esta garantía le da derechos legales específicos, y usted gozará de otros derechos los cuales varían de Estado a Estado.

Haier América  
New York, NY 10018

# **IMPORTANT**

**Do Not Return This Product To The Store**

If you have a problem with this product, please contact the  
"Haier Customer Satisfaction Center" at 1-877-337-3639.

**DATED PROOF OF PURCHASE REQUIRED FOR WARRANTY SERVICE**

# **IMPORTANT**

**Ne pas Réexpédier ce Produit au Magasin**

Pour tout problème concernant ce produit, veuillez contacter le service des  
consommateurs 'Customer Satisfaction Center' au 1-866-327-5817.

**UNE PREUVE D'ACHAT DATEE EST REQUISE POUR BENEFICIER DE LA GARANTIE.**

# **IMPORTANTE**

**No regrese este producto a la tienda**

Si tiene algún problema con este producto, por favor contacte el "Centro de Servicio al  
Consumidor de Haier" al 1-877-337-3639 (Válido solo en E.U.A.).

**NECESITA UNA PRUEBA DE COMPRA FECHADA PARA EL SERVICIO DE LA GARANTIA**

**115V, 60Hz**

Made in China  
Fabriqué en Chine  
Hecho en China

# **Haier®**

**Haier America  
New York, NY 10018**

## Free Manuals Download Website

<http://myh66.com>

<http://usermanuals.us>

<http://www.somanuals.com>

<http://www.4manuals.cc>

<http://www.manual-lib.com>

<http://www.404manual.com>

<http://www.luxmanual.com>

<http://aubethermostatmanual.com>

Golf course search by state

<http://golfingnear.com>

Email search by domain

<http://emailbydomain.com>

Auto manuals search

<http://auto.somanuals.com>

TV manuals search

<http://tv.somanuals.com>