

Packing list

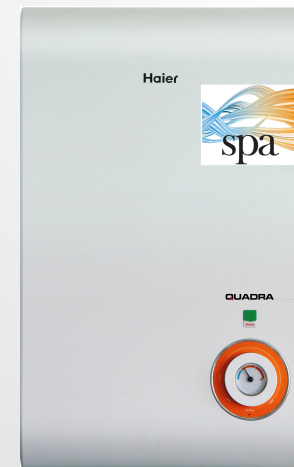
Quantity	Name	Electric water heater (Set)	Safety valve Drain hose (Unit)	Expansion hook (PCS)	User's manual (Copy)	Connecting line (PCS)
	Model					
	ES10V-M1	1	1	2	1	1
	ES10V-M2					
	ES15V-M1	1	1	2	1	1
	ES15V-M2					
	ES25V-M1	1	1	2	1	1
	ES25V-M2					
	ES35V-M1	1	1	2	1	1
	ES35V-M2					

Haier

Spa Water Heater

User's Manual

ES10V-M1
ES15V-M1
ES25V-M1
ES35V-M1
ES10V-M2
ES15V-M2
ES25V-M2
ES35V-M2



- Please read this manual before usage.
- Retain it for future reference.

Haier

0040502334
V

Safety warning (Read carefully before use)

- ⚠ Check if the ammeter and the diameter of the wires are in accordance with the rated current of the water heater. If necessary, please have it checked by an experienced electrician.
- ⚠ In case the power cord of the water heater is damaged, be sure to have it replaced by after service technicians with the special cord offered by the manufacturer.
- ⚠ This water heater is available for AC 230V/50Hz power.
- ⊘ Do not set at place that is too cold and may freeze.
- ⚠ Be sure to use independent socket and earth it reliably, and socket quality shall conform to the national standard requirements.
- ⊘ Do not set at outdoor places.
- ⊘ Set the power socket of the water heater at the dry position away from spraying water. Do not plug/unplug with wet hands.
- ⊘ Do not use as floor standing appliances.
- ⚠ After installation, be sure to fill the heater completely with water before switching on the power in the first usage. Children must take a bath under the supervision of adult.
- ⚠ Please mount it to firm and reliable wall.
- ⊘ Do not install to places without sewage.
- ⊘ In opening and closing the water valve, do not point the showerhead toward the human body. Otherwise it may hurt by the spraying hot water.
- ⚠ Connect the drain hose to the inlet of the sewer to avoid polluting by splashing.
- ⚠ During winter in a cold area, if the heater is idle for a long period, please pull the handle of the safety valve to discharge the water. Otherwise it may freeze inside the water heater and cause damage.
- ⊘ Never do that.
- ⚠ Be sure to act as per instructions.

- The product adopts the patented "Safe Care" technology of our company. As long as product adopts civil power supply, even if the earthing wire is electrified by mistake, the "Safe Care" technology still can block dangerous electricity, and ensure your personal safety. But if you find any perceptible current, please disconnect the power and contact after service department for maintenance. Do not disassemble by yourself.
- The original pipeline of the water heater is an organic part of "Safe Care". Do not remove it by yourself. Otherwise we will not take responsibility for injury and loss caused by the safety danger occurring.

1

⚠ Pre-safe Expert

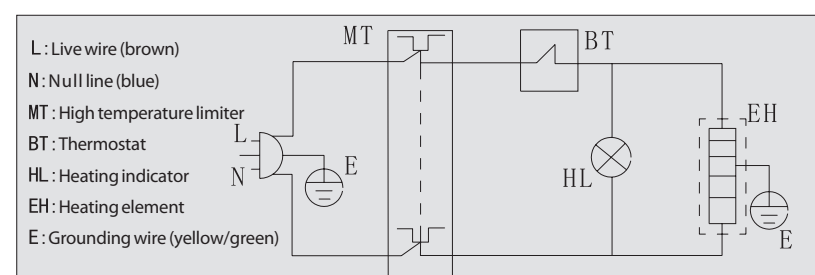


Mark of Haier Safe Water Heater

This mark is the designation for Pre-safe Expert of Haier Water Heater Company, which indicates the use of the company's patented technology inside the product. It ensures you a safe bath while monitoring whether your house ground wire is live or not all the time. If this mark is lit, it indicates your house ground wire was come live (poor grounding and live). In this case, please immediately stop use and disconnect the power, and remember not to touch any electric appliance in your house. At the same time, immediately contact after-sales service and your property management company for professional repair until the mark goes off. Pre-safe Expert will become the electric safeguard for your family.

- See to the physical for the appearance, color or pattern.

Electric circuit diagram

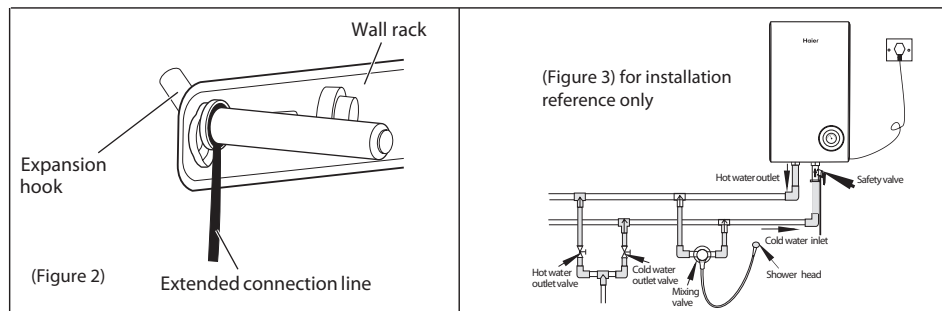


Installation • Usage

Installation

- Installation must be made by installers of, or designated by, our company after-service department. The water heater shall be wall-mounted.
- Make 2 holes $\Phi 12\text{mm}$, 65mm deep in wall with an impact drill according to the drawing of the external dimensions. Take out all accessories in packaging liner, unpack one hook, sleeve the ring end of the connection lines among the accessories into the hook tightening end and assemble the hook well. Afterwards, insert and fix two hooks into the holes (wherein the hook with connection lines is fixed in the right hole). Lift the water heater and hang it with wall rack corresponding to the two hooks. Insert the connection spacer led from the rear shell wall rack of the heater into the connection terminal of the line on the hook (See Figure 2). Install accessories such as safety valve as shown in Figure 3. Do use sealing compound to prevent water leakage.
- To facilitate installation and removal, it is suggested a G1/2 movable nut be fitted at appropriate locations on inlet and outlet pipes respectively. Find the location requiring hot water supply. Connect inlet pipe, outlet pipe and city water pipe respectively to the use point for hot water. Note: The hot water pipe shall not be too long to reduce heat losses.
- Please reserve some space in installation for the future maintenance.

2

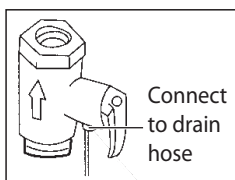


Connection and use of safety valve

- The safety valve should be connected to the water inlet pipe. Please check carefully if the direction is correct after installation. The correct direction of installation is that the arrowhead on the safety valve should point to the water heater.
- Please connect the drain hose to the safety valve. Connect one end of the hose to the safety valve vent and the other end to the sewage drain for fear of indoor contamination. The hose can be cut short or extended as necessary. The hose shall be installed as inclined downward.
- The heater should work with the safety valve whose rated pressure is 0.80MPa.
- During heating, water may drip from the drain hose of the pressure relief hole due to expansion and the hole must be left open to the atmosphere. Check safety valve once a month as follows: move the small handle of the safety valve, if there is water flowing out, the safety valve is normal; if there is no water flow, please contact local after-sales service station.
- The pressure relief hole is to be operated regularly to remove lime deposits and to verify that it is not blocked.

Attention during installation

- Please fasten the drain hose to the pressure relief hole of the safety valve by twisting (see to Figure 4). Connect the other end of drain hose to the sewer to avoid polluting the room by splashing. When the power is switched on, and the water heater starts operating, there may be some water discharged from the pressure relief hole of the safety valve. It is due to the water expansion under heating, and is a normal phenomenon. The pressure relief pipe shall communicate with the air directly. Do not block it. The drain hose connecting to the safety valve shall be kept downward sloping in installation and in a frost-free environment.
- Be sure to check and confirm that the tank is filled with water, there is no leakage at each joint and the power supply complies with the stipulation before switching on the power.
- This heater must be equipped with the safety valve along with the machine; otherwise any safety accident and property loss caused thereby shall be the user's own responsibility.



(Figure 4)

Safety precautions

- Do not confuse the water inlet and outlet pipes. The wall bearing the water heater shall be strong enough to endure a weight twice as much as that of a water heater filled with water. Do not secure it by means of adhesive or similar products because the fixation by such methods is unreliable.

3

- Nice molding, space-saving: Vertical type wall-mounting design, saving space
The water heater you purchased is the improved model of the series product. Please operate according to the user's manual.

Cleaning and maintenance

- Disconnect power supply before cleaning. Gently wipe with wet cloth dipped with a little mild detergent. Do not use gasoline or other solvents. Finally dry with a dry cloth. Keep water heater dry.
- To ensure high working efficiency, heating elements and tank liner of water heater shall be cleaned once every three years. Take care not to damage the protection layer on heating elements and tank liner surface. According to the local water quality, magnesium rod shall be periodically replaced. If maintenance is needed, please contact a local service station.

FAQ

Phenomenon	Confirmation items	Remedy
No water	① No water supply or water pressure too low	Check
	② Water use point is blocked or hot water valve is closed	Check and clear
Only cold water but pointer light when heat	① Hot water access close	Check and open
	② Temperature not set to desired setting	Adjust the temperature of water
	③ Heating time limit and setting temperature not obtained	Keep heating
	④ Defective heater	Contact with service department when ①, ② and ③ are excluded.
Only cold water and pointer not lit when heated	① No power to heater	Check power socket
	② Uncontrollable thermostat	Contact with service department when ① is excluded.
Heating pointer always lit	① Setting water temperature not obtained	Keep heating
	② Uncontrollable thermostat	Contact with service department when ① is excluded.
Inconstant flow and temperature of water	Inconstant water pressure	Adjust the flux of outlet water or use with constant water pressure
Insufficient hot water	① Temperature set too low	Adjust setting water temperature
	② Excessive water pressure	Adjust the flux of outlet water

5

- To avoid danger caused by accidental resetting of the heating breaker, the power for the heat cannot be supplied by timer and other external switch devices or connected to circuit with frequent switching for facility use.
- If any part is damaged, please contact the local maintenance agent and have it replaced with our spare parts.
- Tap water inlet pressure shall be no less than 0.05MPa and the maximum pressure shall not exceed 0.75MPa.

Usage

- After installation, as the tank is empty in the first usage, be sure to open the tap water inlet valve and turn to the top temperature button on the mixing valve. When the tank is filled with water, and the shower nozzle or other water outlet keeps the water output, please close the mixing valve, check if there is water leakage at each joint and plug the power.
- Turn the knob as per the needed water temperature. The setting temperature rises gradually when the temperature regulating knob is rotated clockwise; when setting to the maximum temperature, the knob cannot be rotated any more; the temperature decreases gradually in case of anticlockwise rotation of the knob. The mark of the knob increases from the actual temperature to 75°C. You can set the heating temperature steplessly. The heating indicator will light on under heating mode. Generally, the knob should be set to the highest scale. The water heater can regulate the temperature automatically. The power will be switched off automatically when the set temperature is reached, and will be switched on automatically when the temperature drops to a certain level. As it continues heating, you can use hot water as well.
- When the tap water inlet pressure arrives at or exceeds 0.80MPa, the drain hose of safety valve will discharge a large amount of water. It is due to extra high water pressure. Please contact the local after service agent for disposal.
- In long-term out-of-use or maintenance of the heater, you can close the city water pipe valve and set the mixing valve to the highest water temperature rate after opening the safety valve handle. Move up the safety valve handle to drain the tank. To avoid injury, before the next use, it is suggested to first open hot water valve before switching on the water heater, exhaust gas possibly retained in the pipeline. In this case, no smoke or fire is permitted near the open valve. Carefully check and confirm all parts are in good condition.

Features

- Safety: High quality heatproof stainless steel electric heating element, over-temperature protection; overpressure protection of tank; safe and reliable. The third-generation "Safe Care" design for safer usage.
- Durability: Full plastic shell, handsome and durable. Enamel tank, with reliable quality and long operation life.
- Convenience: Adjustable water temperature; water inlet adjusting range: actual temperature ~75°C.
- Multiple usage: Enclosed structure, capable of supplying water to multiple places like toilet, kitchen etc. Suitable for family, enterprises, service trades like beauty care on hot water supply (not drinkable).

4

Technical data • Packing list

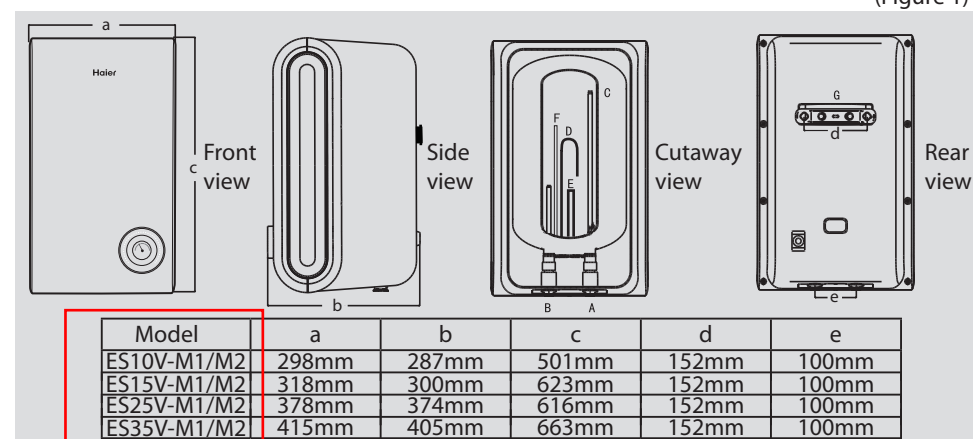
Parameters

Item	Unit	ES10V-M1/M2	ES15V-M1/M2	ES25V-M1/M2	ES35V-M1/M2
Rated voltage	V	230	230	230	230
Rated frequency	Hz	50	50	50	50
Rated pressure	MPa	0.80	0.80	0.80	0.80
Power	W	2000	2000	2000	2000
Net weight	kg	8	10	14	16
Rated temperature	°C	75	75	75	75
Volume	L	10	15	25	35
Waterproof grade	/	IPX4	IPX4	IPX4	IPX4
Mixing factor	%	9	11	12	10
Tap water pressure	MPa	No less than 0.05MPa	No less than 0.05MPa	No less than 0.05MPa	No less than 0.05MPa
Average temperature of hot water outlet	°C	60	60	60	60
Re-heating time (a temperature rise of 50°C)	min	18	28	46	65
Diameter of power wire	mm ²	3×1.5	3×1.5	3×1.5	3×1.5

Remarks: The permitted error limit of net weight above is ±10%.

Dimensions

(Figure 1)



Model	a	b	c	d	e
ES10V-M1/M2	298mm	287mm	501mm	152mm	100mm
ES15V-M1/M2	318mm	300mm	623mm	152mm	100mm
ES25V-M1/M2	378mm	374mm	616mm	152mm	100mm
ES35V-M1/M2	415mm	405mm	663mm	152mm	100mm

A Hot water outlet B Cold water inlet C Tank D Heating element E Anode rod F Thermometer tube G Wall-mounting bracket H Temperature regulating knob

- Remarks: 1. The permitted error limit of the above parameters is ±10%.
2. The thermometer is not a precision temperature meter. The dial is divided into three zones which are blue, croci and red, only representing the water temperature of the heater tank from low to high.

6

Free Manuals Download Website

<http://myh66.com>

<http://usermanuals.us>

<http://www.somanuals.com>

<http://www.4manuals.cc>

<http://www.manual-lib.com>

<http://www.404manual.com>

<http://www.luxmanual.com>

<http://aubethermostatmanual.com>

Golf course search by state

<http://golfingnear.com>

Email search by domain

<http://emailbydomain.com>

Auto manuals search

<http://auto.somanuals.com>

TV manuals search

<http://tv.somanuals.com>