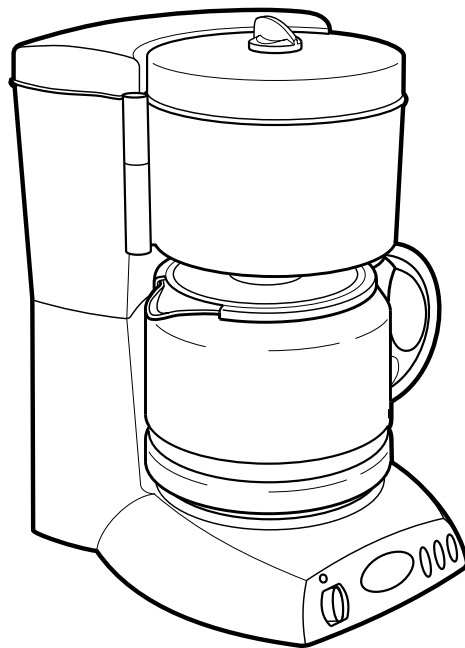


Digital Coffeemaker



READ BEFORE USE

English 2
USA: 1-800-851-8900

840124800

IMPORTANT SAFEGUARDS

When using electrical appliances, basic safety precautions should always be followed to reduce the risk of fire, electric shock, and/or injury to persons, including the following:

1. Read all instructions.
2. Do not touch hot surfaces. Use handles or knobs. Care must be taken, as burns can occur from touching hot parts or from spilled, hot liquid.
3. To protect against electric shock, do not place cord, plug or coffeemaker in water or other liquid.
4. Close supervision is necessary when any appliance is used by or near children.
5. Unplug from outlet when either the coffeemaker or clock is not in use and before cleaning. Allow to cool before putting on or taking off parts and before cleaning the appliance.
6. Coffeemaker must be operated on a flat surface away from the edge of counter to prevent accidental tipping.
7. Do not operate any appliance with a damaged cord or plug, or after the appliance malfunctions or is dropped or damaged in any manner. Call our toll-free customer service number for information on examination, repair, or adjustment.
8. The use of accessory attachments not recommended by Hamilton Beach/Proctor-Silex, Inc. may result in fire, electrical shock or personal injury.
9. Do not use outdoors.
10. Do not let cord hang over edge of table or counter or touch hot surfaces, including stove.
11. The carafe is designed for use with this coffeemaker. It must never be used on a range top or in a microwave oven.
12. Do not set a hot carafe on a wet or cold surface.
13. Do not use a cracked carafe or one with loose or weakened handle.
14. Do not clean carafe or hot plate with cleansers, steel wool pads, or other abrasive material.
15. Be certain carafe lid is securely in place during brew cycle and when pouring coffee. Do not use force when placing lid on carafe.
16. To disconnect coffeemaker, turn controls to OFF, then remove plug from wall outlet.
17. Do not place coffeemaker on or near a hot gas or electric burner or in a heated oven.
18. Warning: To reduce the risk of fire or electric shock, do not remove the bottom cover. No user serviceable parts are inside. Repair should be done by authorized service personnel only.
19. Do not use appliance for other than intended use.

SAVE THESE INSTRUCTIONS

Other Consumer Safety Information

This appliance is intended for household use only.

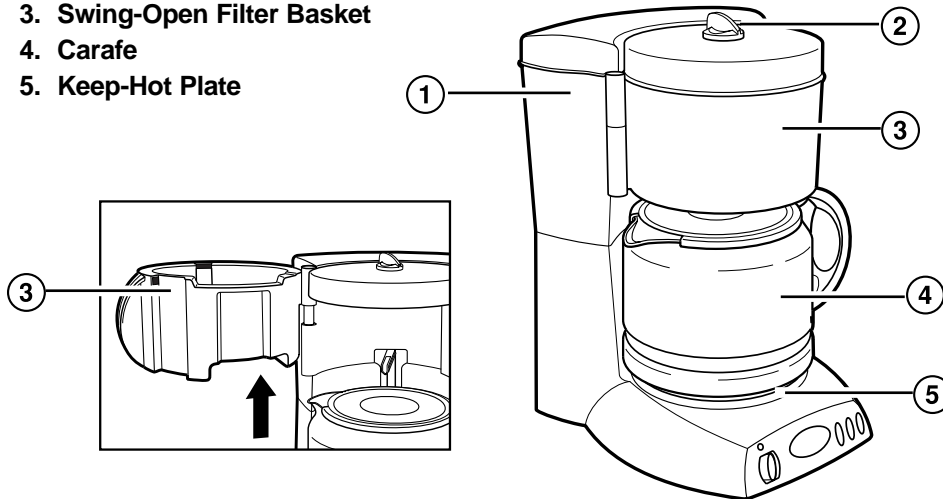
This appliance is equipped with a polarized plug. This type of plug has one blade wider than the other. The plug will fit into an electrical outlet only one way. This is a safety feature intended to help reduce the risk of electrical shock. If you are unable to insert the plug into the outlet, try reversing the plug. If the plug should still fail to fit, contact a qualified electrician to replace the obsolete outlet. Do not attempt to defeat the safety purpose of the polarized plug by modifying the plug in any way.

The length of the cord used on this appliance was selected to reduce the hazards of becoming tangled in, or tripping over a longer cord. If a longer cord is necessary an approved extension cord may be used. The electrical rating of the extension cord must be equal to or greater than the rating of the coffeemaker. Care must be taken to arrange the extension cord so that it will not drape over the countertop or tabletop where it can be pulled on by children or accidentally tripped over.

To avoid an electrical circuit overload, do not use another high wattage appliance on the same circuit with your coffeemaker.

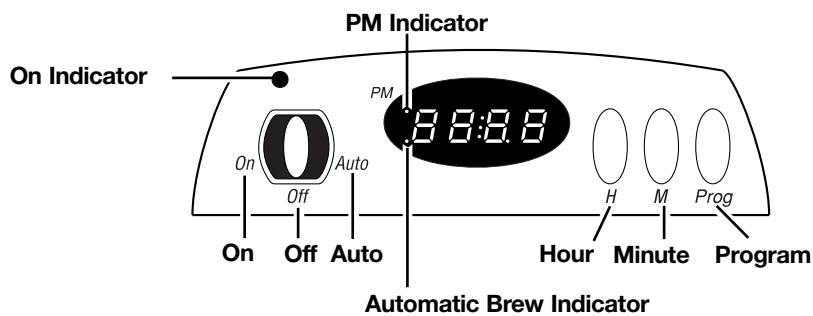
Parts and Features

1. Reservoir
2. Brew Select Knob
3. Swing-Open Filter Basket
4. Carafe
5. Keep-Hot Plate



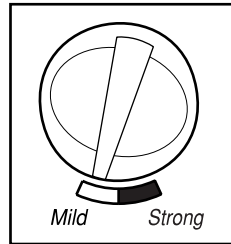
Using Your Coffeemaker

Control Panel



How To Make Coffee

1. Plug in coffeemaker and set clock. See "To Set the Clock and Program Automatic Brew."
2. Before first use, wash carafe. See "To Clean the Coffeemaker Parts." Then run one full carafe of clean water through a complete cycle by following steps 6 through 10.
3. To make coffee, swing open removable filter basket. Place disposable paper filter in filter basket. Use a good quality cupcake (basket) style filter, 8 to 12 cup size. A permanent filter may also be used.
4. For each cup of coffee being made, place one level measuring tablespoon of ground coffee into filter.
5. Close filter basket, making sure it is securely snapped closed.
6. Fill carafe with the desired amount of cold water. Flip open reservoir cover and pour into reservoir. Flip reservoir cover down to close.
7. Place carafe with carafe lid attached on Keep-Hot Plate. Select Mild to Strong coffee by turning Brew Select Knob to desired setting.
8. Turn coffeemaker ON.
9. If clock or auto shutoff model, the coffeemaker will shut off in 2 hours.
10. When finished, turn OFF and unplug.



CAUTION

Burn Hazard

Return Carafe to Keep-Hot Plate within 20 seconds. Hot water continues to flow into the Filter Basket when this feature is used. Overflowing coffee and hot water are a burn hazard.

To Set the Clock and Program Automatic Brew

1. Plug in coffeemaker. The numbers on the clock will flash until the time is set or the coffeemaker is turned on.
2. Press the **H** button until the current hour is displayed. A red dot will glow to indicate PM. Press the **M** button until the current minute is displayed. The clock is now set.
3. To program coffeemaker to automatically begin brewing, press and hold the **Prog** button while pressing the **H** button to set hours and then press the **M** button to set minutes until the desired brew time is displayed.
4. To have coffeemaker automatically begin brewing, move the switch from OFF to **Auto**. A red dot will glow in the lower left corner to indicate the coffeemaker is ready to begin automatic brewing.
5. The coffeemaker will shut off two hours after brewing begins.

4

Additional Features

Pause 'N Serve

This feature allows you to pour a cup of coffee before the entire brew cycle has completed. By removing the carafe, the flow of coffee from the bottom of the filter basket will stop.

CAUTION: The carafe should be replaced within 20 seconds. The flow of coffee will resume when carafe is returned to the Keep-Hot Plate.

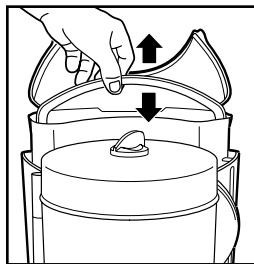
Automatic Shutoff

The Automatic Shutoff feature shuts off the Keep-Hot Plate 2 hours after brew cycle begins. Always turn coffeemaker OFF and unplug when finished.

Optional Features (on selected models)

10-Cup Removable Water Reservoir

Please wash before first use. Hand



wash or place in top rack of automatic dishwasher. The 10-cup reservoir can be removed for easy filling or occasional washing. Simply flip open

reservoir cover and raise the removable reservoir handle. Lift out the removable reservoir and fill with water to desired level.

Carefully place removable reservoir back into the coffeemaker's reservoir. Make sure the removable reservoir is fully seated for proper water flow. When using the removable reservoir it is only possible to make a 10-cup pot of coffee, as the water level marks indicate. To make a full 12-cup carafe, remove the removable reservoir and fill the coffeemaker's reservoir.

NOTE: The coffeemaker's water window indicates the water level when the removable reservoir is NOT used.

Cleaning

To Clean the Inside of the Coffeemaker

1. Place empty carafe on Keep-Hot Plate. Firmly close filter basket.
2. Pour one pint of plain white vinegar into the reservoir.
3. Plug in coffeemaker and turn ON.
4. After 30 seconds turn OFF.
5. Wait 30 minutes to allow the vinegar to clean. Then turn ON again. When the brew cycle is finished, turn OFF.
6. Empty carafe and rinse. Pour one carafe of cold tap water into the reservoir. Place carafe on Keep-Hot Plate.
7. Turn ON. When the brew cycle is finished, empty the carafe. Repeat this process with one more carafe of cold tap water.
8. Turn OFF when complete.
9. Wash carafe and filter basket.

To Clean the Coffeemaker Parts

1. Unplug coffeemaker and allow to cool before cleaning.
2. Wipe Keep-Hot Plate with a clean, damp cloth. Do not use abrasives.
3. Occasionally wipe the water spreader area, located above the filter basket, with a clean, damp cloth.
4. To remove the carafe lid, push the hinge part of the lid to one side, then twist and lift the other side. The pin will release from the hinge. Then remove lid.
5. The carafe, carafe lid, and removable filter basket may be washed in the top rack of automatic dishwasher or in hot, soapy water. Rinse and dry.
6. To remove stains on the carafe, scrub with baking soda or a mild cleanser. For hard-to-remove stains, fill the carafe with hot tap water and add 2 tablespoons of automatic dishwasher detergent. Let this sit overnight; then wash and rinse.
7. All other outside surfaces of the coffeemaker can be cleaned with a clean, damp cloth.

Carafe Safety Precautions



This symbol alerts you to the potential danger for personal injury if you fail to read and follow these safety precautions.



This symbol reminds you that glass is fragile and can break which could result in personal injury.

- Do not use a cracked carafe or a carafe having a loose or weakened handle.
- This carafe is designed to be used only on the Keep-Hot Plate of your coffeemaker. Do not use on a gas or electric rangetop, or in a microwave or conventional oven.
- To avoid breakage, handle carafe with care. Avoid impact. Glass will break as a result of impact. Use care when filling with water to avoid hitting faucet.
- Do not place hot carafe on cool or wet surface. Allow to cool before washing or adding liquids.
- Do not set empty carafe on a hot heating surface.
- Do not clean with steel wool pads, abrasive cleanser, or any other materials that may scratch.
- Do not place hands inside carafe. When handling, be careful if wearing any hand jewelry, especially diamond rings. Jewelry can scratch the glass, which increases possibility of breakage.
- Do not bump, scratch, or boil dry.
- Discard carafe if it is cracked, scratched, or heated while empty for an extended period of time.
- To avoid accidents, do not pour in the direction of people.
- If stirring in the carafe, use only wooden, plastic, or rubber utensils. Do not use metal utensils.
- Follow the above safety precautions carefully to avoid serious burn injuries which may result if breakage occurs while carafe holds heated liquids.

Troubleshooting

Most questions you may have about your new coffeemaker can be easily answered. This handy guide lists some common coffeemaker problems and tells you how to correct them. If you need further assistance, please call our toll-free customer assistance number listed on the front cover of this booklet and found on the back of the coffeemaker.

Problem	To Correct Problem
Doesn't brew or won't heat.	<ul style="list-style-type: none"> • Check to be sure power cord is firmly plugged into a live power outlet. • The Automatic Shutoff feature turns the coffeemaker off two hours after making the coffee. Turn coffeemaker OFF then back to ON. • For clock models, if power has been interrupted the automatic brew time must be reset.
Filter Basket or Pause 'N Serve overflows.	<ul style="list-style-type: none"> • Excessive amounts of ground coffee will clog the filter basket. One level tablespoon of ground coffee per cup is recommended. • Make sure coffee is not ground too finely. This will clog the filter. Permanent filters are more likely to clog than paper filters. • Be sure to use a good quality cupcake or basket style filter. The sides of the filter should be upright against side of filter basket to avoid filter collapsing. • When using Pause 'N Serve, hot water continues to flow into the filter basket and may overflow if the carafe is not returned to the Keep-Hot Plate within 20 seconds. • Make sure that carafe is fully seated on the Keep-Hot Plate. • Filter basket must be securely closed.
Longer than normal brew time.	<ul style="list-style-type: none"> • Mineral deposits can build up in the pump of your coffeemaker. Periodic cleaning of the inside of your coffeemaker is recommended. More frequent cleaning may be necessary, depending upon the hardness of your water. See "Cleaning instructions." • If using the removable reservoir, make sure it is firmly seated in coffeemaker's reservoir.

Customer Service

If you have a claim under this warranty, please call our Customer Service Number. For faster service please have model, series, and type numbers ready for operator to assist you. These numbers can be found on the bottom of your appliance.

MODEL: _____ **TYPE:** _____ **SERIES:** _____

This warranty applies to products purchased in the U.S. or Canada.

LIMITED WARRANTY

This product is warranted to be free from defects in material and workmanship for a period of two (2) years for Hamilton Beach Portfolio products, one (1) year for Hamilton Beach products or one hundred eighty (180) days for Proctor-Silex products from the date of original purchase, except as noted below. During this period, we will repair or replace this product, at our option, at no cost. THE FOREGOING WARRANTY IS IN LIEU OF ANY OTHER WARRANTY, WHETHER EXPRESS OR IMPLIED, WRITTEN OR ORAL INCLUDING ANY WARRANTY OF MERCHANTABILITY OR FITNESS FOR A PARTICULAR PURPOSE. ANY LIABILITY IS EXPRESSLY LIMITED TO AN AMOUNT EQUAL TO THE PURCHASE PRICE PAID, AND ALL CLAIMS FOR SPECIAL, INCIDENTAL AND CONSEQUENTIAL DAMAGES ARE HEREBY EXCLUDED. There is no warranty with respect to the following, which may be supplied with this product: glass parts, glass containers, cutter/strainer, blades, and/or agitators. This warranty extends only to the original consumer purchaser and does not cover a defect resulting from abuse, misuse, neglect, use for commercial purposes, or any use not in conformity with the printed directions. This warranty gives you specific legal rights, and you may also have other legal rights which vary from state to state, or province to province. Some states or provinces do not allow limitations on implied warranties or special, incidental or consequential damages, so the foregoing limitations may not apply to you.

If you have a claim under this warranty, DO NOT RETURN THE APPLIANCE TO THE STORE! Please call our CUSTOMER SERVICE NUMBER. (For faster service please have model, series, and type numbers ready for operator to assist you.)

CUSTOMER SERVICE NUMBERS

In the U.S. 1-800-851-8900

In Canada 1-800-267-2826

hamiltonbeach.com or proctorsilex.com

KEEP THESE NUMBERS FOR FUTURE REFERENCE!

Thank You!

Thank you for purchasing our products.

If you have any questions about your appliance, don't return the product to the store—we can help you.

Please call Customer Service for assistance. Thank you for choosing our products!

Free Manuals Download Website

<http://myh66.com>

<http://usermanuals.us>

<http://www.somanuals.com>

<http://www.4manuals.cc>

<http://www.manual-lib.com>

<http://www.404manual.com>

<http://www.luxmanual.com>

<http://aubethermostatmanual.com>

Golf course search by state

<http://golfingnear.com>

Email search by domain

<http://emailbydomain.com>

Auto manuals search

<http://auto.somanuals.com>

TV manuals search

<http://tv.somanuals.com>