

**STOP! TO PREVENT DAMAGING YOUR GRILL, READ THIS
MANUAL FIRST FOR IMPORTANT UNPACKING AND
ASSEMBLY INSTRUCTIONS!**



Hamilton Beach



Type OG01 Gas Grill

Assembly and Operation Manual

Consumer Affairs: 1-800-851-8900

FOR OUTDOOR USE ONLY

Hamilton Beach Brands, Inc.
Glen Allen, Virginia 23060

TABLE OF CONTENTS

BEFORE YOU BEGIN

Message to Our Users	3
Safety Symbols	3
Installation/Safety Precautions	4
Propane and Gas Warning	4
Grill Parts List	5
Grill Parts Diagram	7

ASSEMBLY

Before the Assembly	8
Assembly Steps	11

POST-ASSEMBLY

Gas Connection	19
Leak Testing	23
Final Installation Checklist	24
Grill Lighting Instruction	24
Operating Instruction	26
Safety Tips	28
Care and Maintenance	28
Troubleshooting	30
Food Safety	31
Grill Storage	31

DANGER

- If you smell gas:
 1. Shut off gas to the grill.
 2. Extinguish any open flames immediately.
 3. Open the grill lid.
 4. If the odor persists, keep away from the grill and call your gas supplier or your fire department immediately.

WARNING

- Do not store or use gasoline or other flammable items in the vicinity of this grill or any other appliance.
- Any LP cylinder that is not connected for use should not be stored in the vicinity of this grill or any other appliance.

BEFORE YOU BEGIN

MESSAGE TO OUR USERS

Thank you for your purchase of our Gas Grill. We sincerely wish you will enjoy using our fine products.

- Please read this user's manual in its entirety before using the grill.
- Please contact Consumer Affairs if you have any questions.
- Please read this user's manual carefully. Failure to follow the provided instruction can result in serious bodily injury and/or property damage.
- Some parts of this grill may have sharp edges. Please wear suitable protective gloves.

IMPORTANT: This grill is intended for outdoor use only and is not intended to be installed in or on recreational vehicles or boats.

NOTE TO INSTALLER: Leave this user's manual with the customer after delivery and/or installation.

NOTE TO CONSUMER: Leave this user's manual in a convenient place for future reference.

SAFETY SYMBOLS



The symbols listed here are being used throughout this manual. Please pay special attention to them. The meaning of each of the symbols is listed here:

⚠ DANGER

This symbol indicates an imminently hazardous situation which will result in death or serious bodily injury if not followed properly.

⚠ WARNING

This symbol indicates serious bodily injury may result if the instructions are not followed.

⚠ CAUTION

This symbol indicates a hazardous situation which may result in minor or moderate bodily injury if the instructions are not properly followed.

BEFORE YOU BEGIN

⚠ WARNING

CALIFORNIA PROPOSITION 65

1. Combustion by-products produced when using this product contain chemicals known to the State of California to cause cancer, birth defects, and other reproductive harm.
2. This product contains chemicals, including lead and lead compounds, known to the State of California to cause cancer, birth defects, or other reproductive harm.
Wash your hands after handling this product.

INSTALLATION/SAFETY PRECAUTIONS

⚠ WARNING

READ THIS SECTION FIRST BEFORE INSTALLING THE GRILL

- This grill is designed to use LP gas only. The regulator supplied by Hamilton Beach must be used.
- The installation of this appliance must conform with local codes or, in the absence of local codes, with either the **National Fuel Gas Code, ANSI Z223.1/NFPA 54**, or **CAN/CSA B149.1, Natural Gas and Propane Installation Code**, or **CAN/CSA B149.2, Propane Storage and Handling Code**.
- The LP gas supply tank is to be constructed and marked in accordance with the specifications for LP gas tanks of the **U.S. Department of Transportation (DOT)** or the **National Standard of Canada, CAN/CSA-B339, Tanks, Spheres, and Tubes for the Transportation of Dangerous Goods**.
- If an external electrical source is utilized, the outdoor cooking gas appliance, when installed, must be electrically grounded in accordance with local codes or, in the absence of local codes, with the **National Electrical Code, ANSI/NFPA 70**, or the **Canadian Electrical Code, CSA C22.1**. Keep the power cord of the motor away from the hot surfaces of the grill while in use. Remove and store the motor in a dry place when not in use.
- This grill is safety-certified for use in the United States and Canada only. Never modify to use in other places. Modification may cause serious bodily injury or property damage. Hamilton Beach is not responsible for any modifications, and all warranties will be void.

TOTAL GAS CONSUMPTION:

Total gas consumption (per hour) of OG01 grill with all burners on HI:
3 Main burners x 11,000 Btu/hr each: Total 33,000 Btu/h

BEFORE YOU BEGIN

GRILL PARTS LIST

KEY	DESCRIPTION	QUANTITY	PART NUMBER
1	Lid	1	990130100
2	Temperature Gauge	1	990127300
3	Bezel, Temperature Gauge	1	990127400
4	Logo Plate	1	990130500
5	Lid Handle	1	990127500
6	Rotate Rod, Lid	2	990127600
7	Bezel, Rotate Rod	2	990127700
8	Firebox	1	990129900
9	Left-Side Shelf	1	990127800
10	Warming Rack	1	990127900
11	Cooking Grate	2	990128000
12	Heat Diffuser (Flame Tamer)	3	990128100
13	Main Burner	3	990128200
14	Manifold, Main Burner	1	990128300
15	Gas Valve, Main Burner	3	990128400
16	Regulator	1	990129700
17	Control Panel	1	990130200
18	Control Knob	3	990128500
19	Rear Panel	1	990139500
20	Right-Side Shelf	1	990128700
21	Grease Cup Clip	1	990135000
22	Grease Cup	1	990135100
23	Cart Frame	1	990130400
24	Tank Hold Chain	1	990128800
25	Left Panel	1	990130300
26	Match Holder Bracket (Nylon Knot)	1	990137000

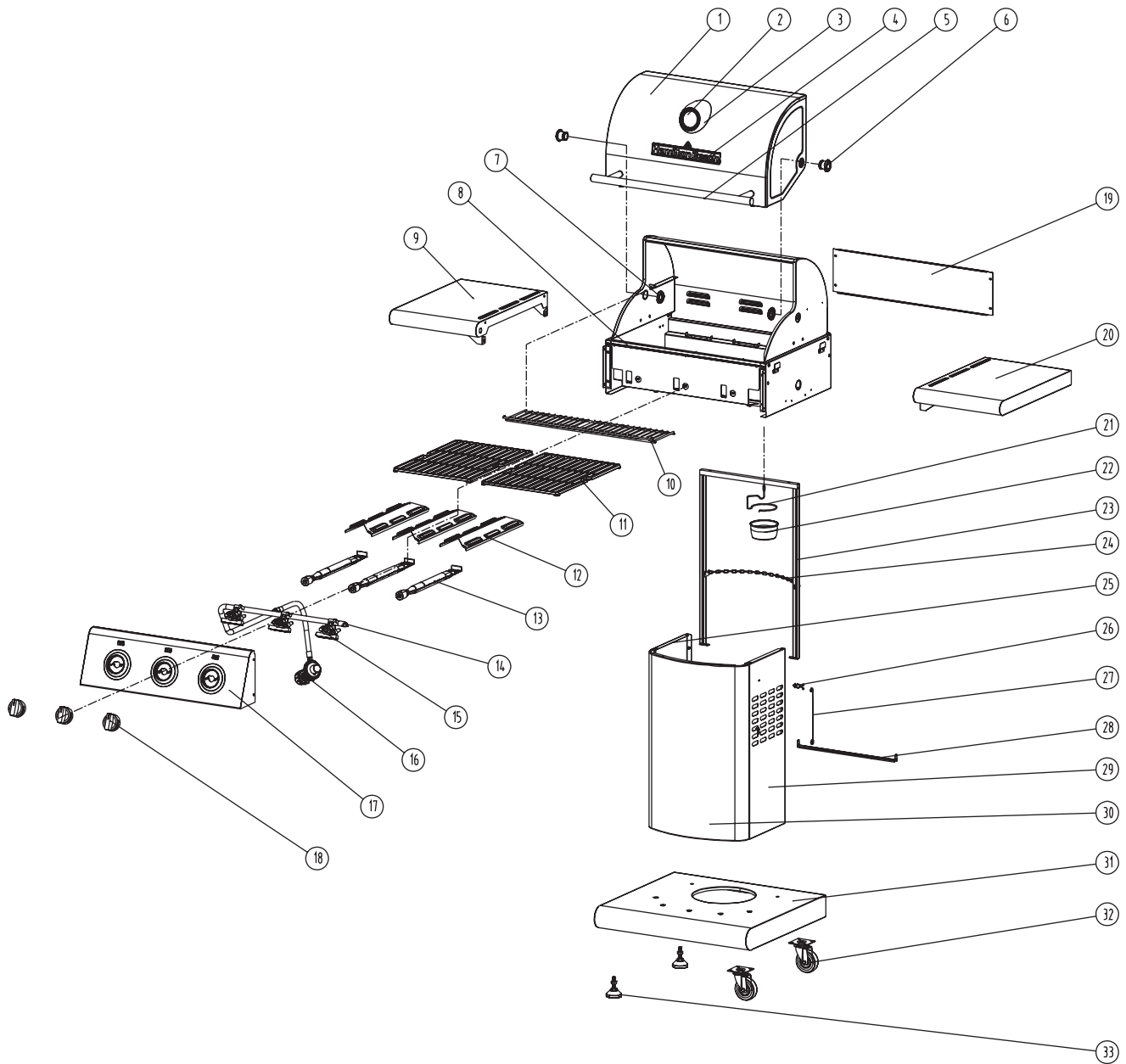
BEFORE YOU BEGIN

GRILL PARTS LIST

KEY	DESCRIPTION	QUANTITY	PART NUMBER
27	Match Holder	1	990137100
28	Tank Baffle	1	990139600
29	Right Panel	1	990135600
30	Front Panel	1	990130000
31	Bottom Shelf	1	990129800
32	Standard Caster	2	990128900
33	Foot	2	990129000

BEFORE YOU BEGIN

GRILL PARTS DIAGRAM



ASSEMBLY

BEFORE THE ASSEMBLY

READ AND FOLLOW THE INSTRUCTIONS BELOW TO CORRECTLY UNPACK GRILL PARTS FROM SHIPPING BOX.

STEP 1:

1. Open shipping box by slicing down its edges with a box cutter. Take out all the parts out of protective styrofoam as shown in **Fig. A**. Remove all parts from plastic bags.

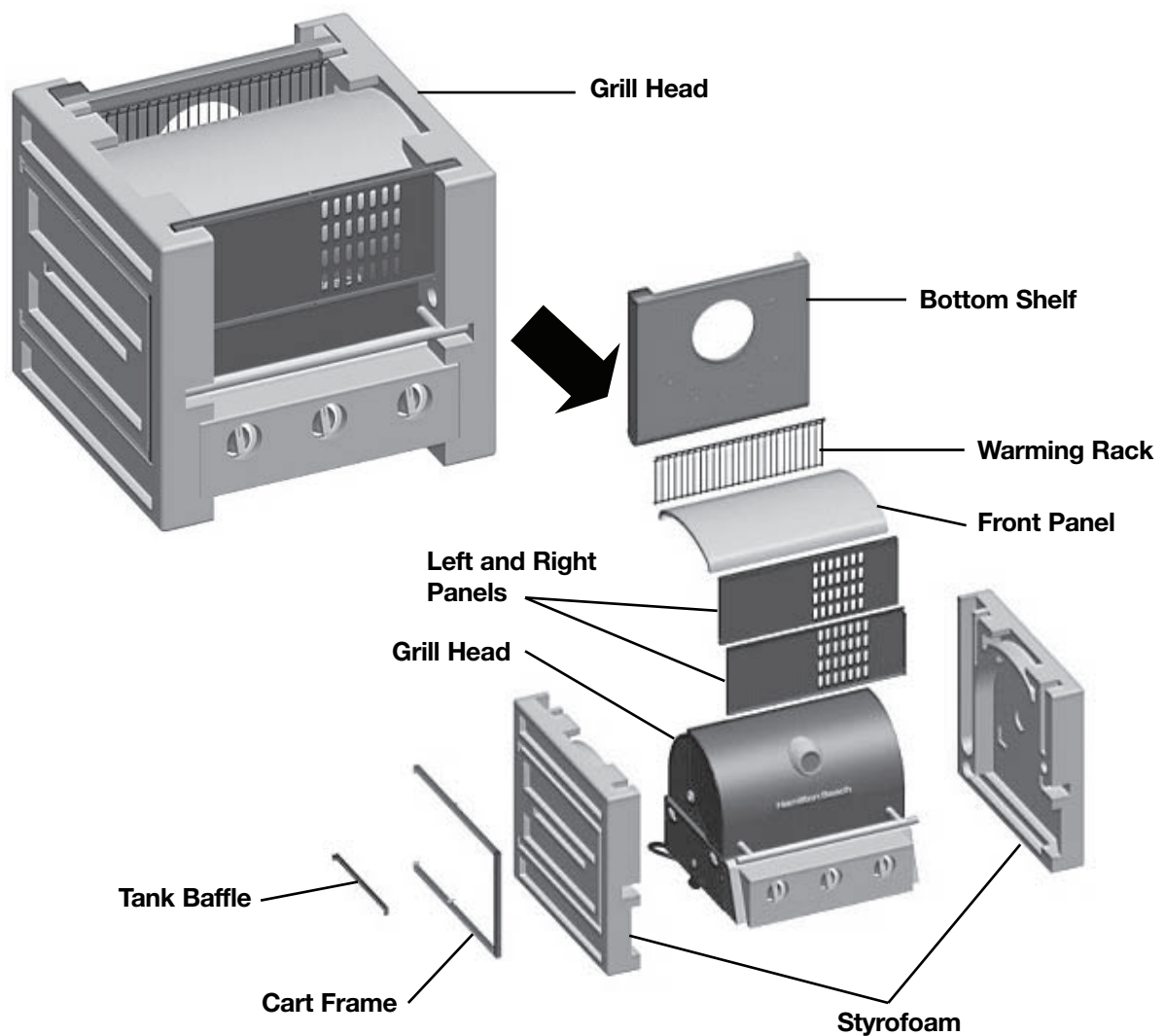


Fig. A

ASSEMBLY

BEFORE THE ASSEMBLY

STEP 2:

1. Open grill lid, and take out the small boxes packed within the grill head. Remove all packing materials and remove all parts from boxes as shown in **Fig. B** below.

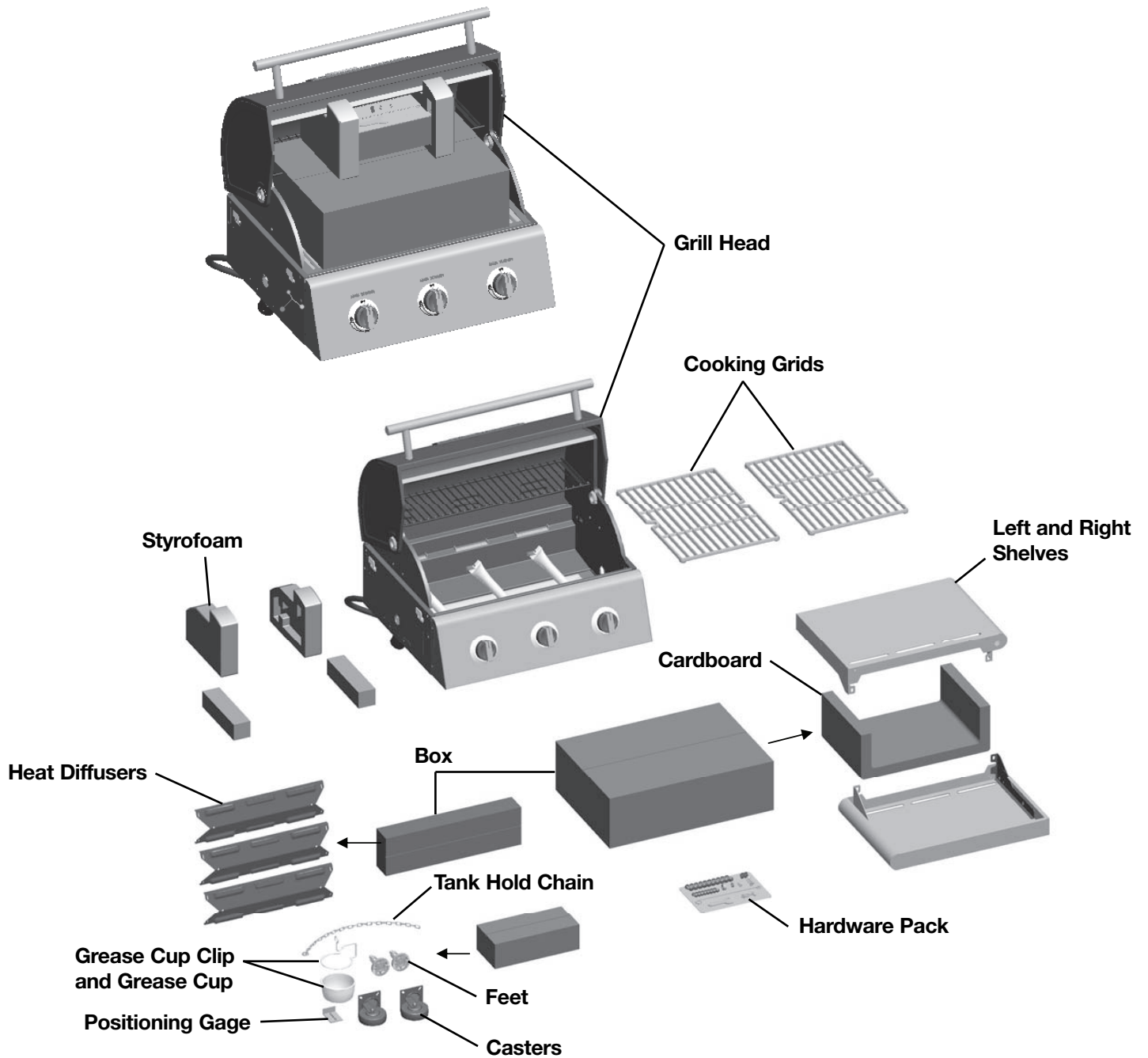


Fig. B

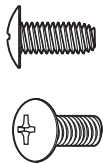
ASSEMBLY

BEFORE THE ASSEMBLY

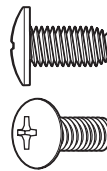
PLEASE READ AND FOLLOW THESE INSTRUCTIONS CAREFULLY
STEP BY STEP

Tools Required:

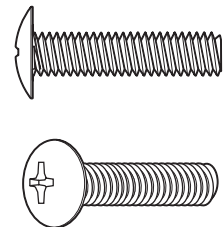
- #2 Phillips screwdriver (not provided)
- The following hardware is provided in the blister pack:



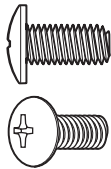
M4 x 10 Screws (16)



M5 x 10 Screws (5)



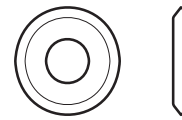
M6 x 26 Screws (2)



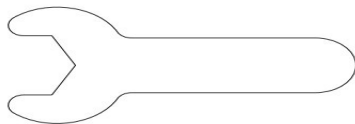
M6 x 13 Screws (20)



Flat M6 Washer (6)



M6 Compression Washer (4)



Wrench (1)



M4 Nut (4)



Match Holder Bracket (Nylon Knot) (1)



Match Holder (1)

ASSEMBLY

ASSEMBLY STEPS

STEP 1: Bottom Shelf

1. Turn bottom shelf upside down. Attach the two (2) standard casters to right side of bottom shelf with eight (8) M6 x 13 screws as shown in **Fig. 1**.
2. Screw one foot into the bottom shelf by hand, using the positioning gage to determine the proper depth as shown in **Fig. 1**. Once the foot is screwed in to the proper depth, hold it in place while tightening the nut to the bottom shelf with the provided wrench, as also shown in **Fig. 1**. This will secure the foot in place.
3. Repeat Step 2 with the other foot.

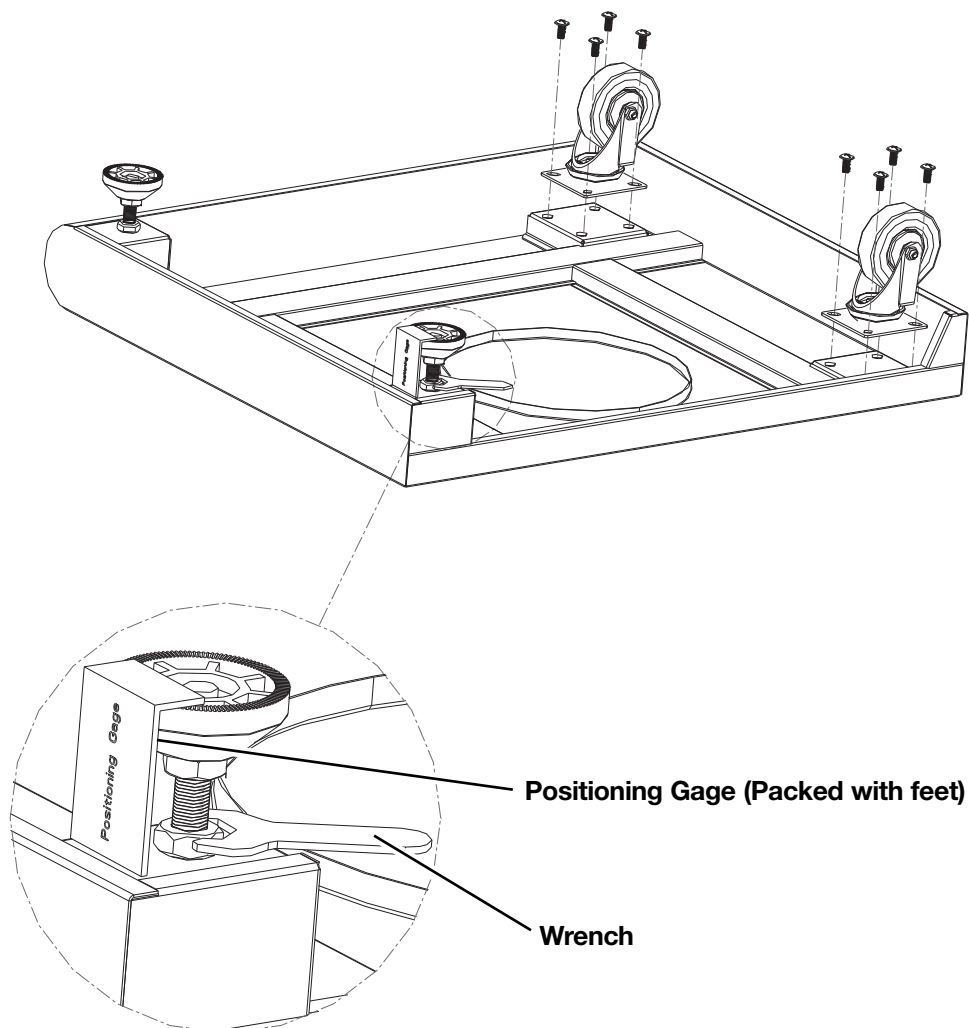


Fig. 1

ASSEMBLY

ASSEMBLY STEPS

STEP 2: Cart

1. Turn bottom shelf right side up as shown in **Fig. 2**.
2. Attach front panel with the correct direction marked "UP" to front of bottom shelf with three (3) M5 x 10 screws as shown in **Fig. 2**.
3. Attach left panel (marked "L") to front panel with three (3) M4 x 10 screws as shown in **Fig. 2**. Attach left panel to bottom shelf with one (1) M5 x 10 screw as shown in **Fig. 2**.
4. Attach right panel (marked "R") to front panel with three (3) M4 x 10 screws. Attach right panel to bottom shelf with one (1) M5 x 10 screw as shown in **Fig. 2**.

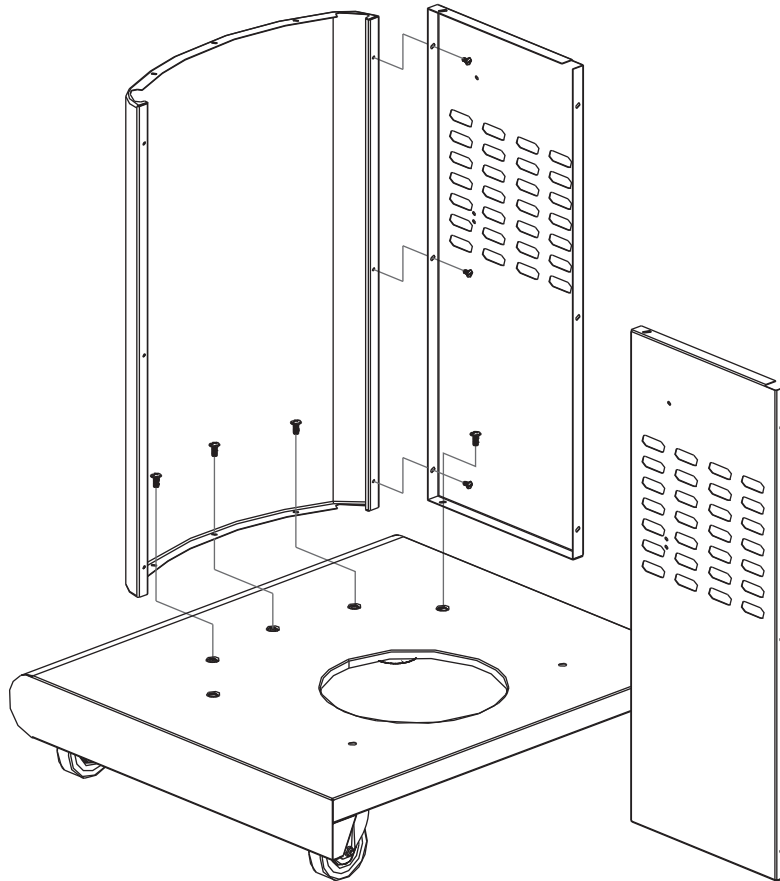


Fig. 2

ASSEMBLY

ASSEMBLY STEPS

STEP 3: Cart Frame

1. To attach cart frame, align cart frame with side panels as shown in **Fig. 3**.
2. Attach cart frame to left panel and right panel with six (6) M4 x 10 screws (3 on each side) as shown in **Fig. 3**.
3. Attach cart frame to bottom shelf with two (2) M6 x 13 screws (1 on each side) as shown in **Fig. 3**.
4. Position the ends of the tank baffle so that the holes in the ends of the baffle are aligned with the holes in the side panels, then attach the tank baffle to the left and right panel with four (4) M4 x 10 screws (2 on each side) from the outside to the inside, and four (4) M4 nuts on the inside (2 on each side), all as shown in **Fig. 3**.

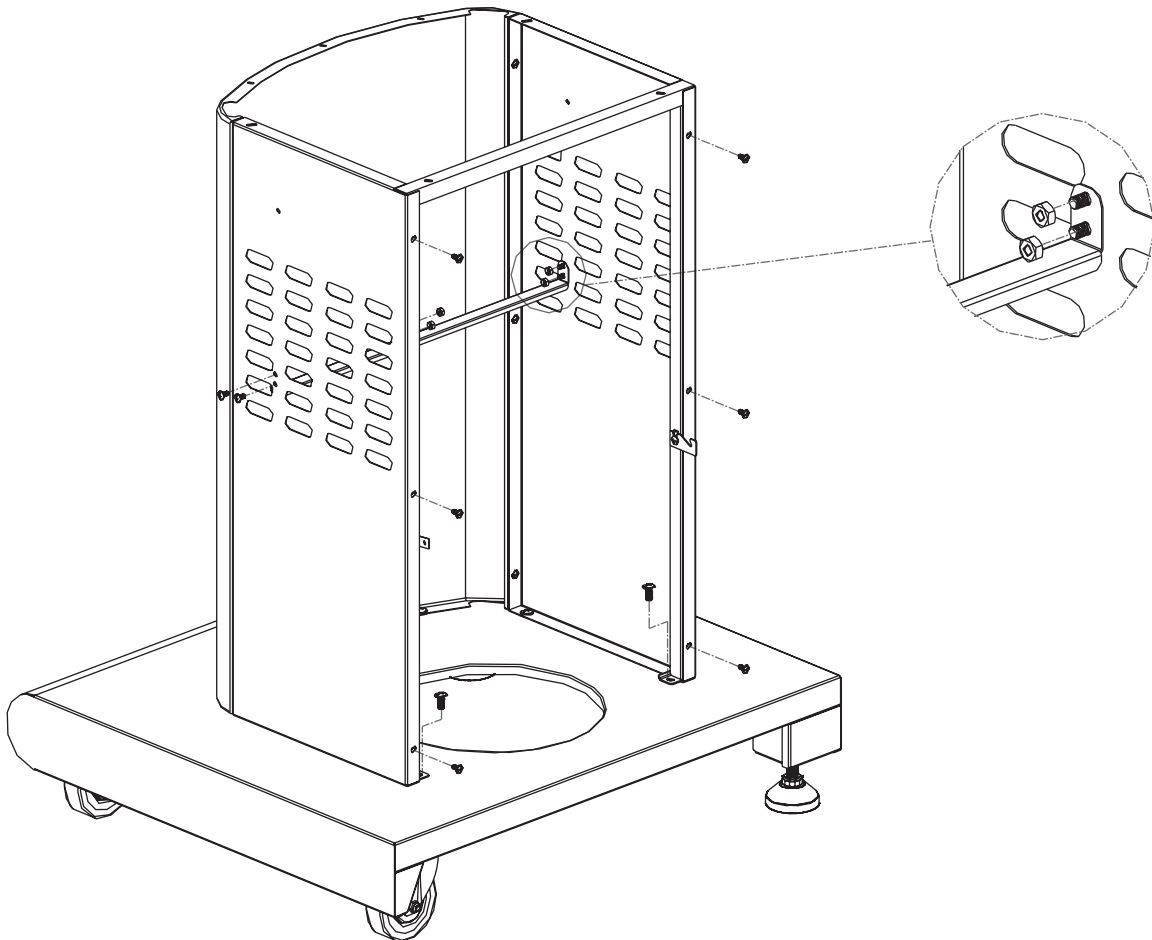


Fig. 3

ASSEMBLY

ASSEMBLY STEPS

STEP 4: Grill Head to Cart

1. Remove the tie wraps securing regulator hose to underside of grill head.
2. Carefully lower the grill head onto the cart. Make sure the regulator hose is hanging outside the cart. Attach head to cart with two (2) M6 x 13 screws and two (2) M6 flat washer in the front; two (2) M6 x 26 screws in the back as shown in **Fig. 4**.

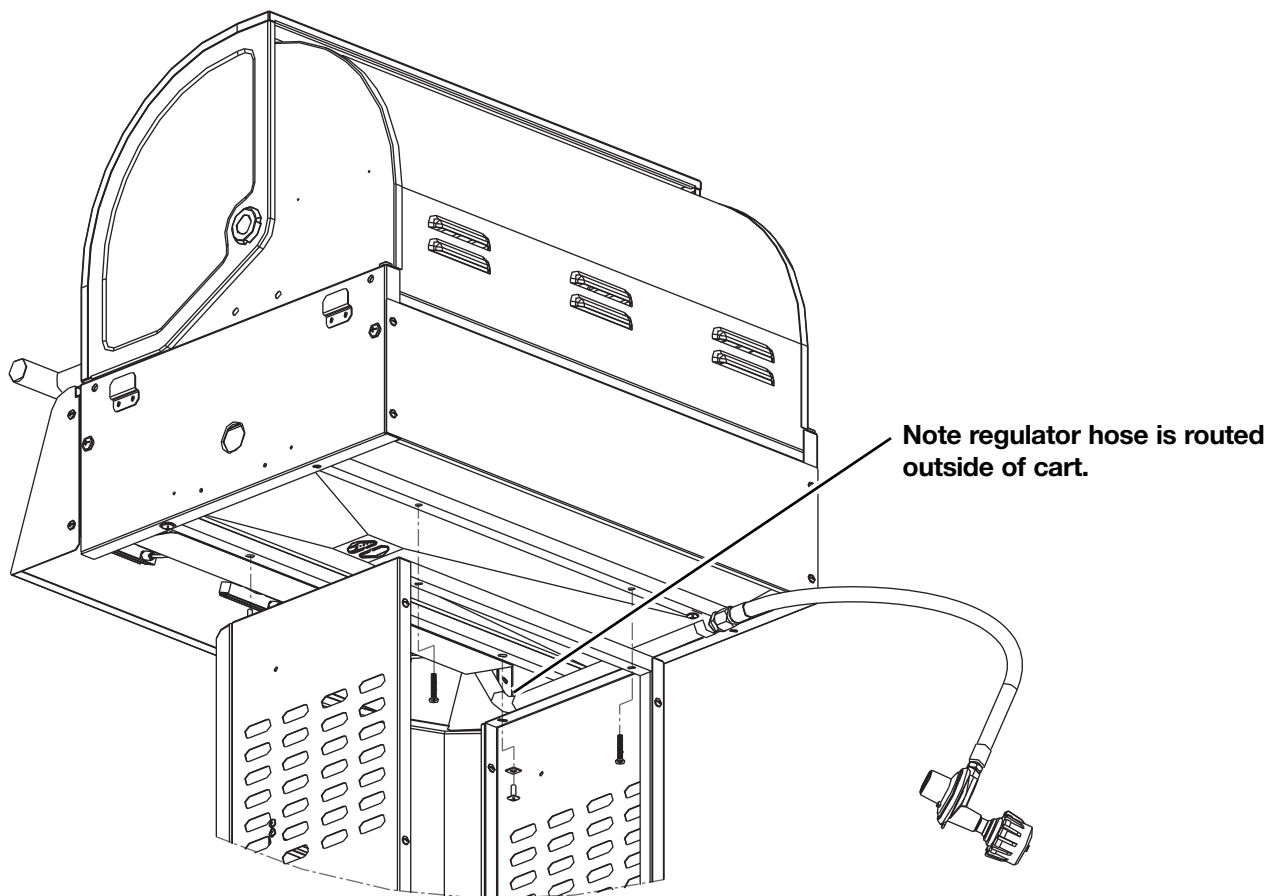


Fig. 4

ASSEMBLY

ASSEMBLY STEPS

STEP 5: Side Shelves

Attach the right shelf to firebox as follows:

1. Locate side shelf onto support brackets located on side of the fire box as shown in **Fig. 5a** and remove the cooking grids from the firebox.
2. From the outside of the firebox, attach the right shelf (marked “R”) with two (2) M6 x 13 screws and two (2) M6 flat washers as shown in **Fig. 5b**.
3. From the inside of the firebox, attach the right shelf with two (2) M6 x 13 screws and two (2) M6 compression washers as shown in **Fig. 5c**.
4. Repeat above Steps 1–3 for the left shelf (marked “L”).

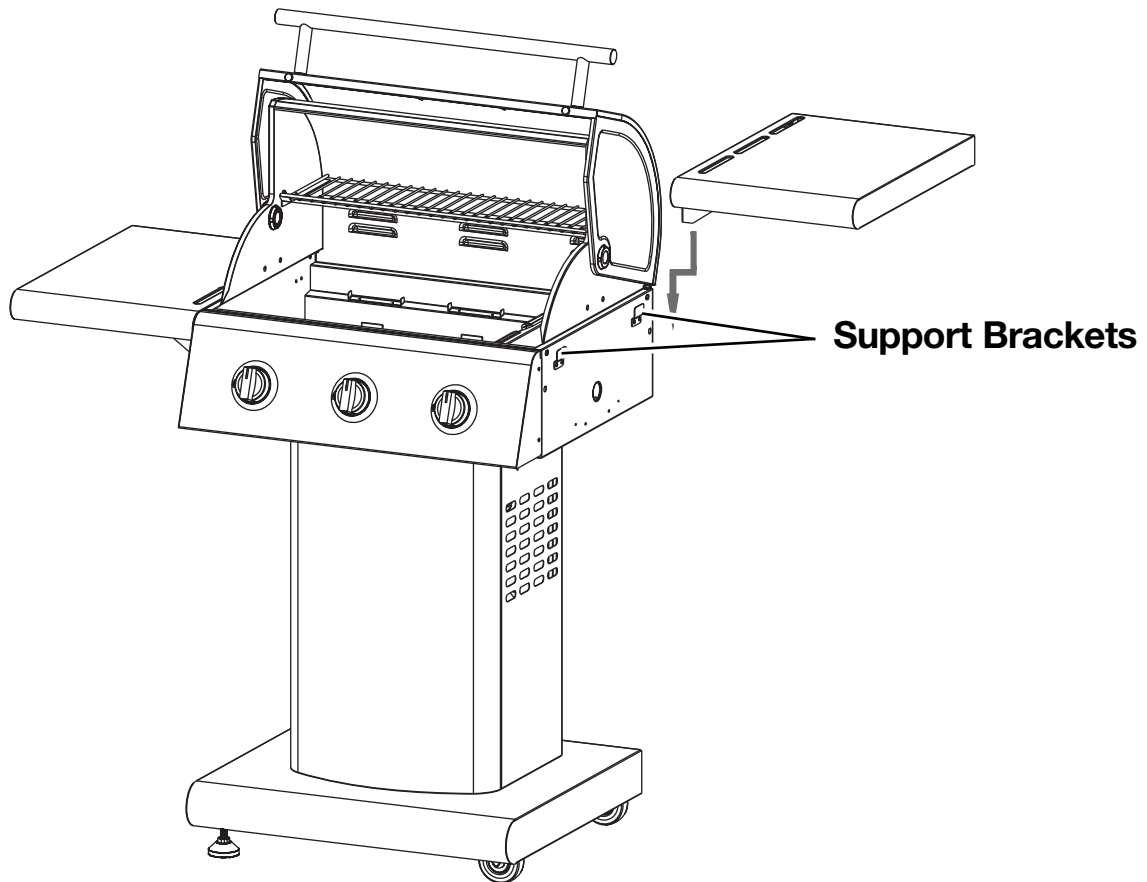


Fig. 5a

ASSEMBLY

ASSEMBLY STEPS

STEP 5: Side Shelves

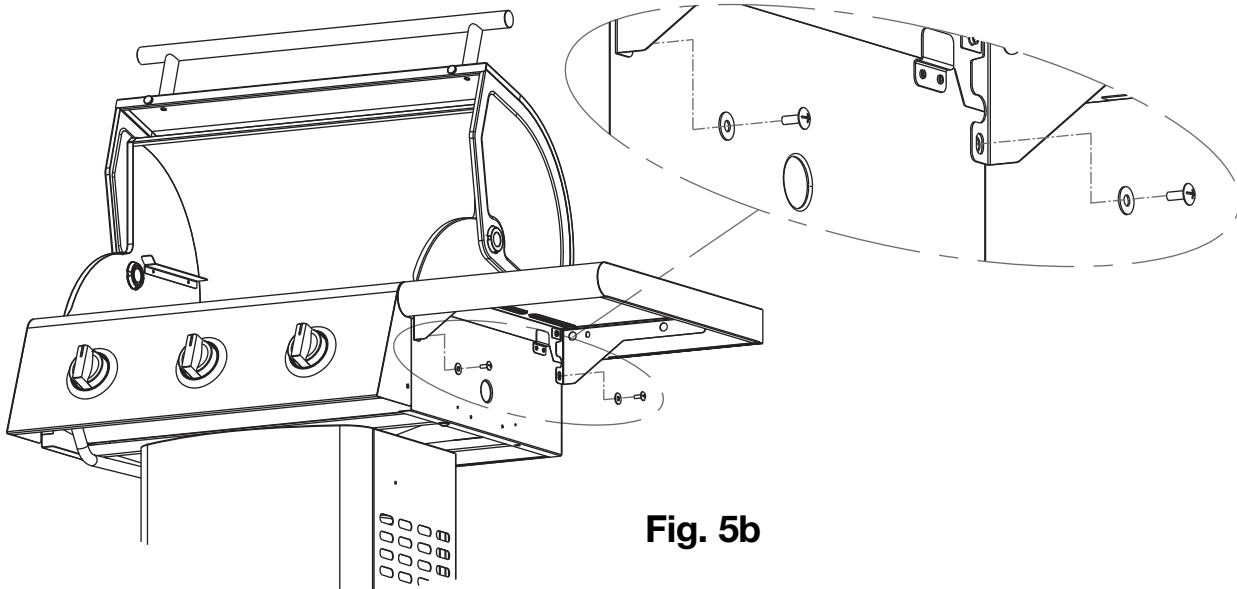


Fig. 5b

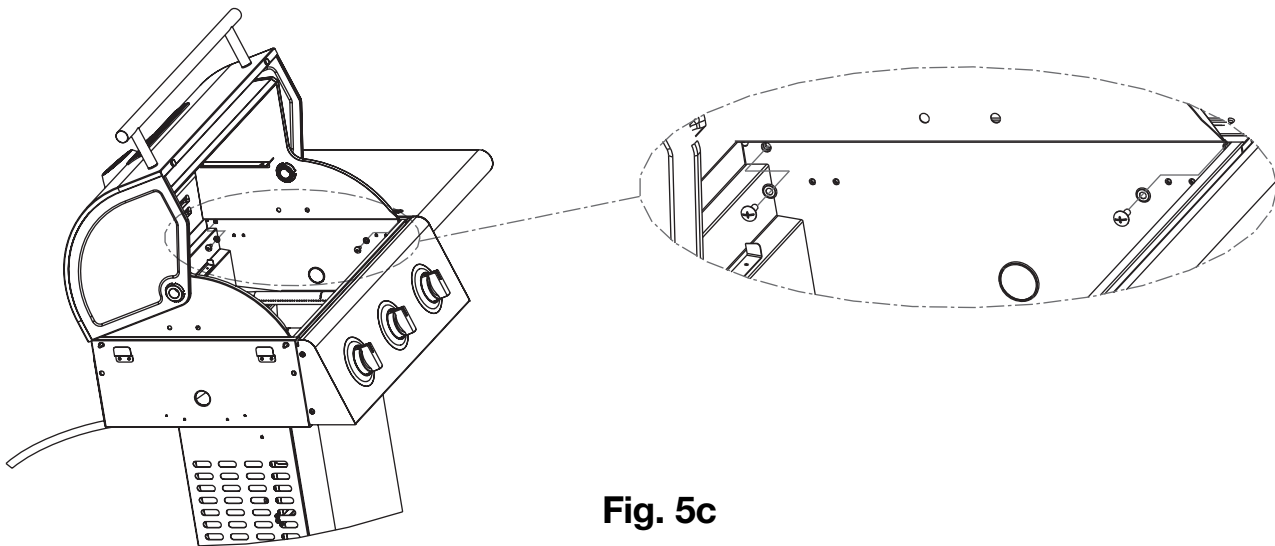


Fig. 5c

ASSEMBLY

ASSEMBLY STEPS

STEP 6: Nylon Knot

1. Insert the nylon knot to the hole on the right side panel; then put the match holder in it and capture it as shown in Fig. 6.

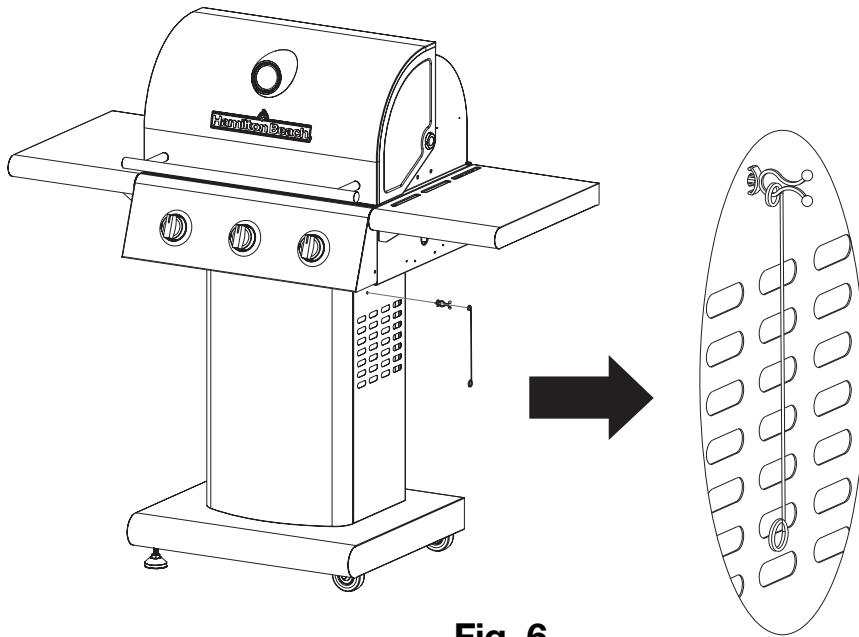


Fig. 6

STEP 7: Grease Cup

1. Place grease cup into grease cup clip and hang grease cup clip from bottom of firebox and as shown in Fig. 7.

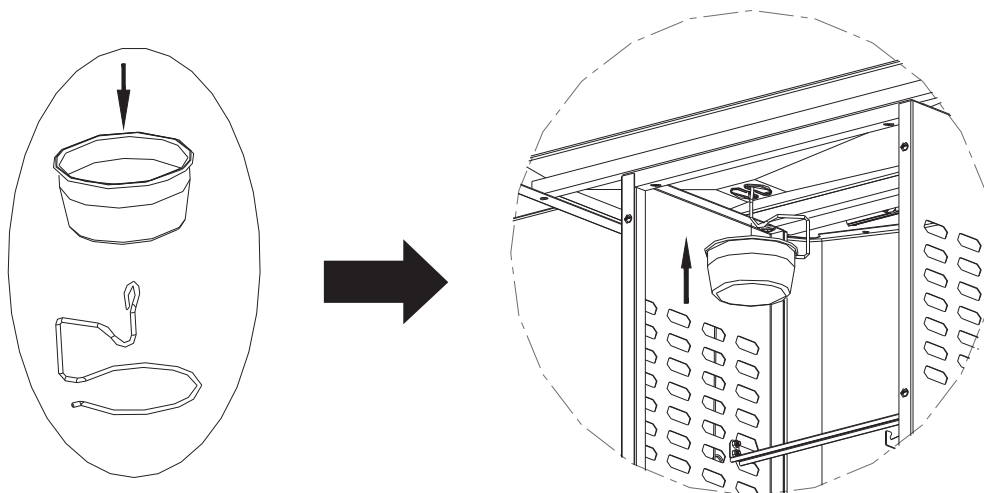


Fig. 7

ASSEMBLY

ASSEMBLY STEPS

STEP 8: Cooking Grates

1. Place heat diffusers over burners by inserting tabs into slots in front and back of the firebox as shown in **Fig. 8b** and **Fig. 8c**.
2. Place cooking grates onto grate rests as shown in **Fig. 8a**.
3. Insert warming rack at the top of the firebox as shown as shown in **Fig. 8a**.

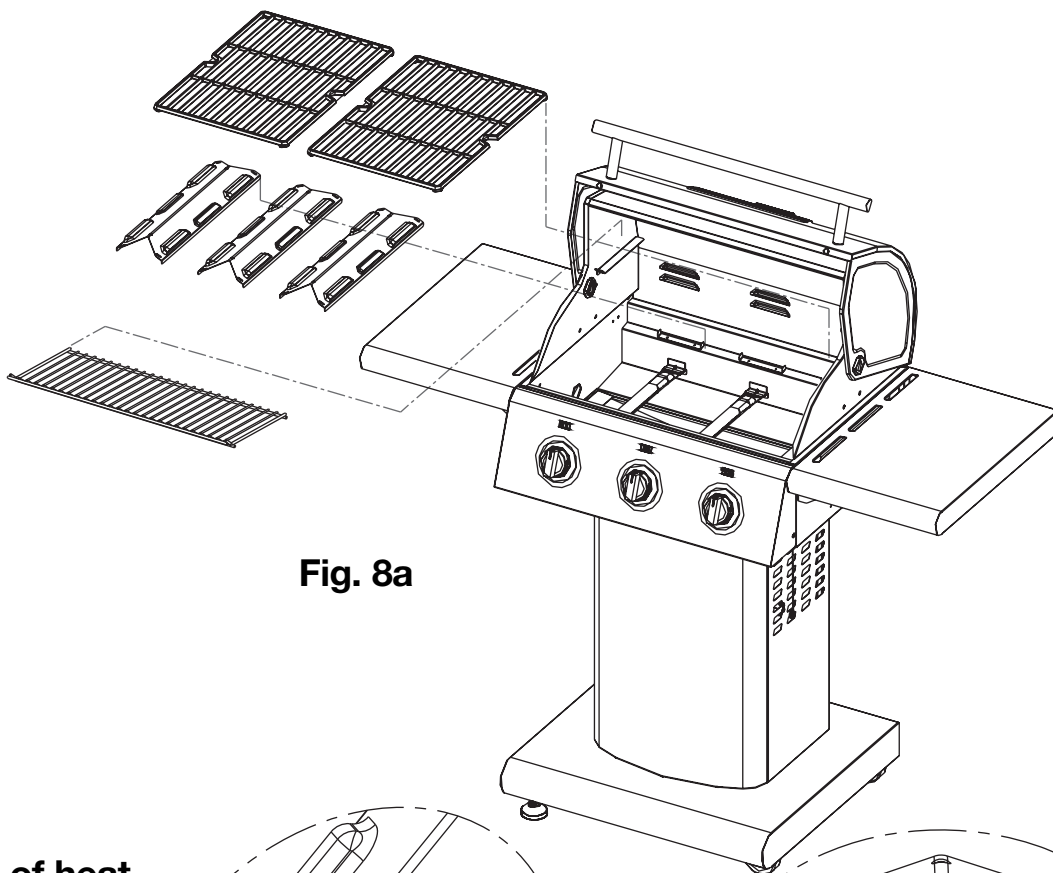
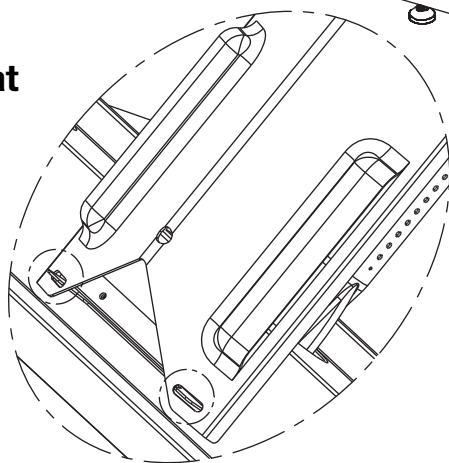


Fig. 8a

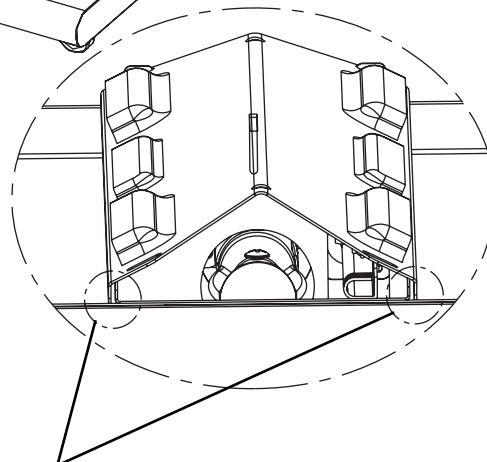
Front of heat
diffusers

Fig. 8b



Rear of heat
diffusers

Fig. 8c



View from rear of the firebox

POST-ASSEMBLY

GAS CONNECTION

ONLY USE THE REGULATOR AND HOSE ASSEMBLY PROVIDED WITH THIS GRILL. REPLACEMENT PRESSURE REGULATORS AND HOSE ASSEMBLIES MUST BE THOSE SUPPLIED BY THE MANUFACTURER.

This is an LP (Liquefied Petroleum Gas) configured grill. Do not attempt to use a natural gas supply unless the grill has been reconfigured for natural gas use.

The installation of this appliance must conform with local codes or, in the absence of local codes, with either the National Fuel Gas Code, ANSI Z223.1/NFPA 54, or CAN/CSA B149.1, Natural Gas and Propane Installation Code, or CAN/CSA B149.2, Propane Storage and Handling Code.

LP TANK REQUIREMENTS – THE LP TANK USED WITH YOUR GRILL MUST MEET THE FOLLOWING:

1. Measurement: 12" (30.5-cm) diameter x 18" (45.7-cm) tall.
2. Maximum capacity: 20 lbs. (9 kg).
3. Constructed and marked in accordance with the specification for LP gas cylinders of the U.S. Department of Transportation (DOT) or the National Standard of Canada, CAN/CSA-B339, Cylinders, Spheres, and Tubes for the Transportation of Dangerous Goods. See LP tank collar for marking.
4. Tank must be oriented to provide proper vapor withdrawal, as shown in **Fig. 9**.
5. Includes a collar to protect the tank valve.
6. Has no dents or rust. A dented or rusty LP tank may be hazardous and should be checked by your supplier.
7. Provides a shut-off valve terminating in an LP gas tank valve outlet specified, as applicable, for connection type QCC1 in the standard for compressed gas tank valve outlet and inlet connection ANSI/CGA V-1.
8. Other tanks may be acceptable for use with your grill provided they are compatible with the tank retention means in **Fig. 9**.

LP TANK VALVE USED MUST MEET THE FOLLOWING:

1. Have type I outlet compatible with regulator provided.
2. Have safety relief valve.
3. UL-listed Overfill Protection Device (OPD). This OPD safety feature is identified by a unique triangular hand wheel. Only use tanks equipped with this type of valve (as the figure shown on the next page).

POST-ASSEMBLY

GAS CONNECTION

FOR YOUR SAFETY:

Ensure that the black plastic grommets of the regulator provided are in place and that the hose does not come into contact with the heat shield or the grill head.

Set the LP tank into the hole in the bottom shelf. Make sure the threaded connection at the top points toward the rear of the grill as shown in **Fig. 9**. Secure the tank in place with the tank hold chain as shown in **Fig. 9**.

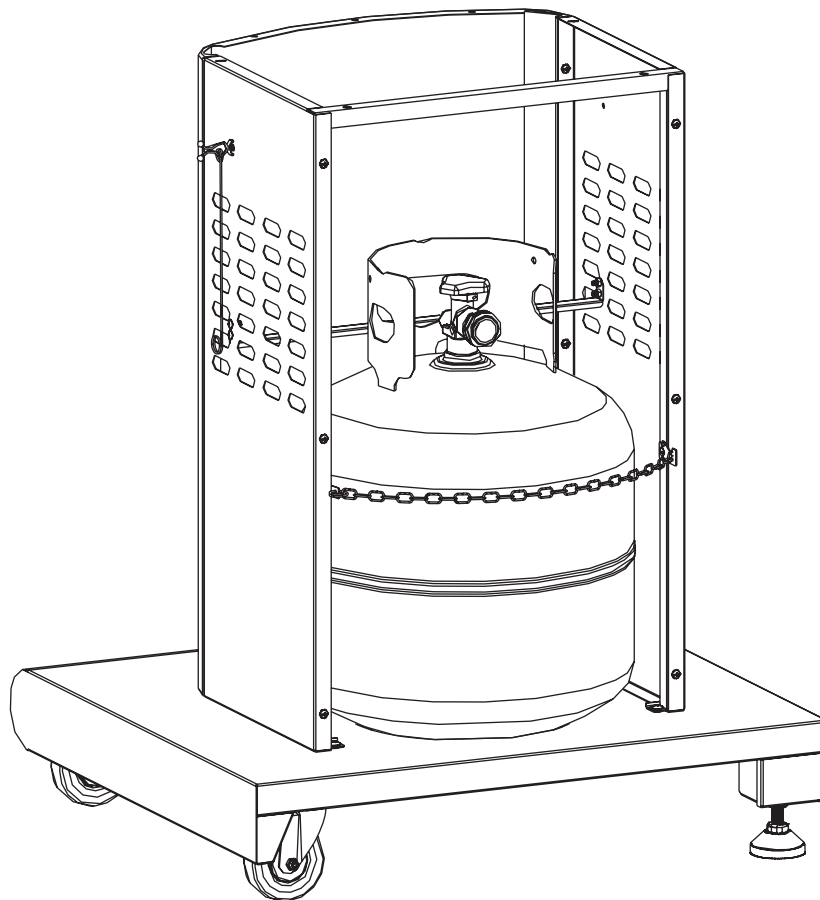


Fig. 9

POST-ASSEMBLY

GAS CONNECTION

CONNECT THE REGULATOR TO THE LP TANK – VERY IMPORTANT:

- THE REGULATOR SHALL NOT BE IN A LOCATION THAT WILL ATTAIN A TEMPERATURE ABOVE 140°F (60°C).
 - THE REGULATOR SHALL INCORPORATE A PRESSURE RELIEF VALVE OR OVERPRESSURE DEVICE.
 - THE INLET OF THE PRESSURE REGULATOR SHALL BE FITTED TO CONNECT THE TYPE I CONNECTION OF THE TANK VALVE PER ANSI Z21.81/CSA 6.25.
1. Make sure tank valve is in its full OFF position (turn clockwise to stop).
 2. Check tank valve to ensure it has proper external male threads (type I connection per ANSI Z21.81/CSA 6.25).
 3. Make sure all burner knobs are in their OFF position.
 4. Remove the protective cap from LP tank valve. Always use cap and strap supplied with valve.
 5. Inspect valve connection port and regulator assembly. Look for any damage or debris. Remove any debris. Inspect hose for damage. Never attempt to use damaged or plugged equipment. Contact your local LP gas dealer for repair.
 6. When connecting regulator assembly to the valve, hand-tighten nut clockwise to a positive stop as shown in **Fig. 10**. Do not use a wrench to tighten. Use of a wrench may damage the quick-coupling nut and result in a hazardous condition.

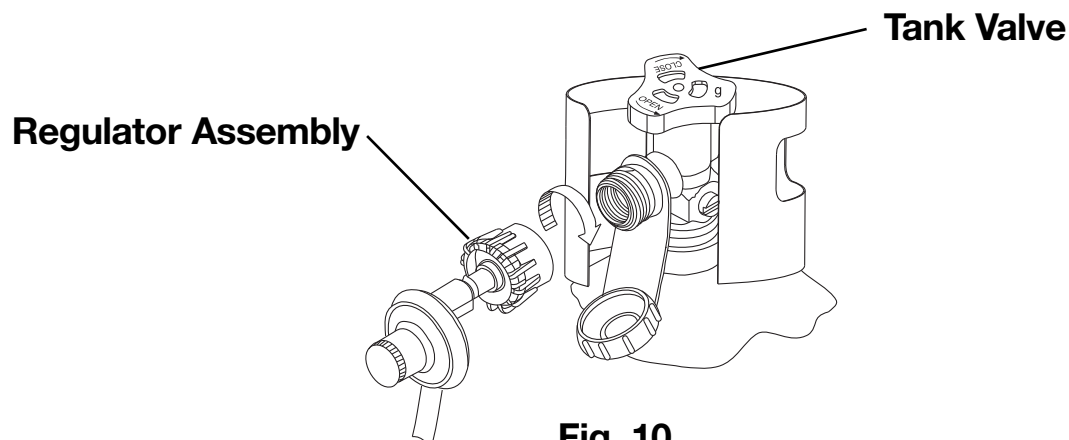


Fig. 10

7. Open tank valve fully (counterclockwise). Use a soapy water solution to check all connections for leaks before attempting to light grill. If a leak is found, turn tank valve OFF and do not use grill until a local LP gas dealer can make repairs.

POST-ASSEMBLY

GAS CONNECTION

WARNING

- Never insert any foreign objects into the valve outlet. It may damage the valve and cause a leak. Leaking gas may result in fire, explosion, heavy body injury, or even death.
- Do not connect this grill to the self-contained LP gas system of a motor home or camper trailer.
- Do not use this grill until leak-tested.
- STOP and call the fire department if any leaks are detected.
- If you cannot stop a gas leak, close the LP tank valve IMMEDIATELY and call the LP gas supplier or the fire department.

DANGER

Failure to follow these instructions exactly could start a fire causing death or serious injury.

- NEVER store a spare LP tank under or near grill or in an enclosed area.
- NEVER fill the tank beyond 80% full. An overfilled spare LP tank is dangerous because surplus gas may leak from the safety relief valve. The safety relief valve on an LP tank could activate to release gas and cause a fire.
- Place dust cap on cylinder valve outlet whenever the cylinder is not in use. Only install the type of dust cap on the cylinder valve outlet that is provided with the cylinder valve. Other types of caps or plugs may result in leakage of propane.
- If any gas leaks are found on the spare LP tank, IMMEDIATELY step away from the grill and call the fire department.

VERY IMPORTANT:

TO DISCONNECT LP GAS TANK:

1. Turn all the knobs OFF.
2. Turn the tank valve off fully (turn clockwise to stop).
3. Detach the regulator assembly from tank valve by turning the quick-coupling nut counterclockwise.
4. Install the protective cap back onto the LP tank valve.

POST-ASSEMBLY

LEAK TESTING

GENERAL

- Although all gas connections on the grill are leak-tested at the factory prior to shipment, a complete gas tightness check must be performed at the installation site due to possible mishandling in shipment or excessive pressure unknowingly being applied to the unit. Periodically check the whole system for leaks or immediately check if the smell of gas is detected.

BEFORE TESTING

1. Make sure that all packing material is removed from the grill, including the burner tie-down straps.
2. Do not smoke while leak-testing.
3. Never leak-test with an open flame.
4. Make a soapy solution with one part liquid detergent (or soap) and one part water. Prepare a spray bottle, brush, or rag to apply the solution to the connections. For the initial leak test, make sure the LP cylinder is full.
5. Grill must be leak-tested outdoors in a well-ventilated area, away from ignition sources such as gas-fired or electrical appliances and flammable materials.
6. Keep grill away from open flames and/or sparks while testing.

TO TEST

1. Make sure all control knobs are in the OFF position.
2. Make sure the regulator is connected tightly to the LP tank.
3. Completely open LP tank valve by turning counterclockwise. If you hear a "POP" sound, turn gas off IMMEDIATELY because it indicates a heavy leak at the connection. Call your gas dealer or fire department.
4. Check every connection from the LP tank up to and including the connection to the manifold pipe assembly (the pipe that goes to the burner) by brushing or spraying the soapy solution on the connections.
5. If soap bubbles appear, there is a leak. Turn off LP tank valve IMMEDIATELY and retighten connections. Open LP tank valve again and recheck.
6. If leaks cannot be stopped, DO NOT ATTEMPT TO REPAIR. Call Consumer Affairs for help.
7. Always close the LP tank valve after leak-testing by turning clockwise. Only those parts recommended by the manufacturer should be used on the grill. Substitution will void the warranty. Do not use the grill until all connections have been checked and do not leak.

POST-ASSEMBLY

FINAL INSTALLATION CHECKLIST

- At least 36" (91-cm) clearance must be maintained from combustible constructions to the sides and back of the grill.
- There is no combustible construction material over the grill.
- All internal packaging is removed.
- Burners are sitting properly on orifices. The orifice of the valve must be located in the center of the burner section after removal and cleaning. Otherwise, it may cause serious bodily injury and property damage. Swing the burner slightly after replacing to check whether it has been installed properly.
- Knobs turn freely.
- The regulator and hose connected to the grill are provided by the manufacturer (preset for 11" [28-cm] water column).
- Unit tested and free of leaks.
- User informed of gas supply shut-off valve location.

GRILL LIGHTING INSTRUCTION


**VERY IMPORTANT:
ALWAYS INSPECT THE HOSE PRIOR TO EACH USE.**

BEFORE LIGHTING:

- Inspect the gas supply hose before turning the gas ON. If there is evidence of cuts, wear, or abrasion, it must be replaced before use. The replacement hose assembly must be that specified by the manufacturer.

TO LIGHT MAIN BURNERS OF THE GRILL:

Read instructions before lighting.

1. Open the lid and make sure all knobs are in the "OFF" position.
2. Push and turn the knob slowly counterclockwise to the ignite position () as shown in **Fig. 11**. Keep pushing until the burner lights and then release. Repeat for additional burners.
3. If burner does not light, immediately turn the control knob to the "OFF" position and repeat Step 2.
4. If burner does not light after Step 3, **TURN OFF GAS SUPPLY** and **WAIT 15 MINUTES** for the gas to disperse; then repeat Steps 1 and 2 or light with external flame.

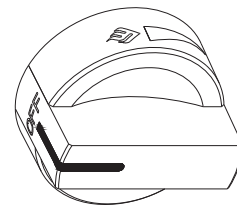


Fig. 11

Shutdown instructions:

1. Turn all control knobs to the "OFF" position.
2. Turn gas supply off at the tank.

POST-ASSEMBLY

GRILL LIGHTING INSTRUCTION

IMPORTANT:

Lid must be open when lighting burners. **TURN OFF GAS** supply when not in use.


For Consumer Affairs, call: 1-800-851-8900.

TO LIGHT THE MAIN BURNERS BY MATCH:

If the burner will not light after several attempts, the burner can be match-lit.

Tools: Match holder (hanging under right-side shelf)

Usage:

1. Read instructions before lighting.
2. Open the lid and remove the cooking grids during lighting.
3. Turn a control knob to the ignite position () as shown in **Fig. 12**.
4. Remove match holder from knot on side of base. Place a lighted match between the coils on the end of the match holder and hold next to the burner to ignite as shown in **Fig. 12**. If ignition does not occur in 5 seconds, turn the burner control knob OFF and contact Consumer Affairs.
5. For lighting the others burners, please repeat Steps 3 and 4.

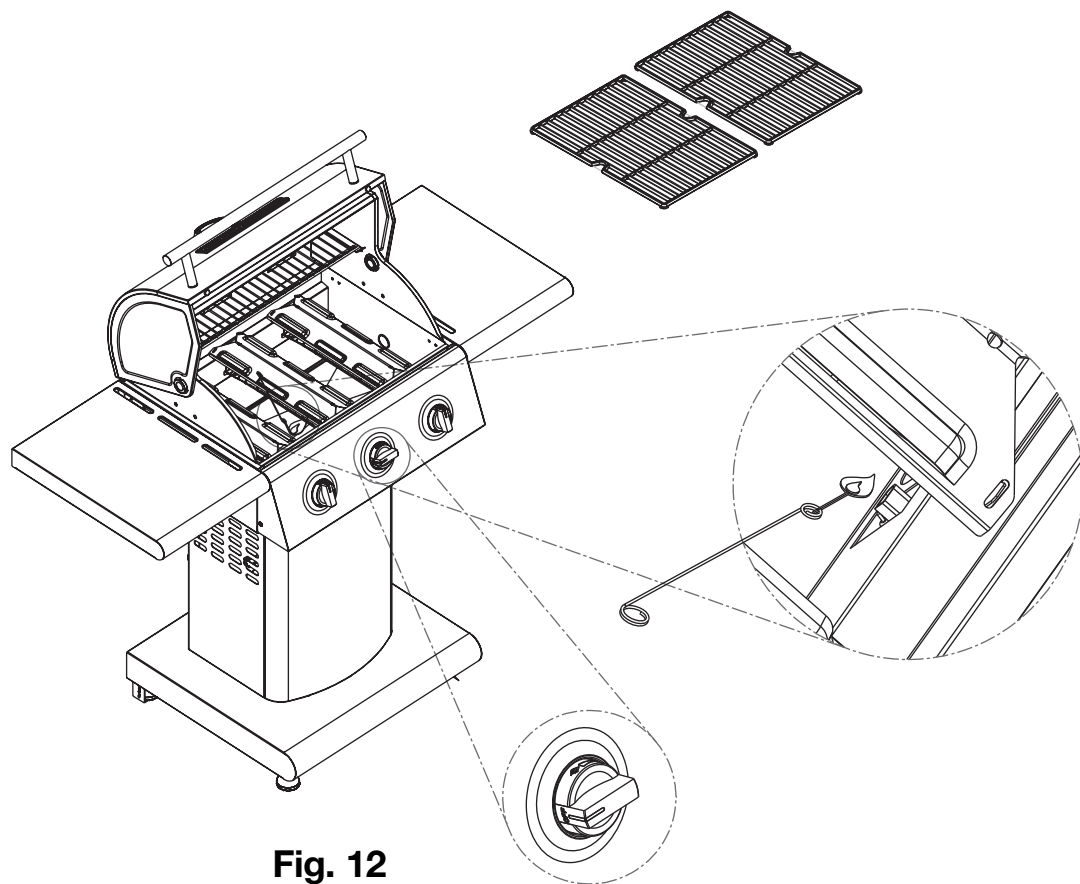


Fig. 12

POST-ASSEMBLY

OPERATING INSTRUCTION

⚠ CAUTION

- Clean the grill often. A grease fire that may damage the grill may occur if the grill has not been cleaned frequently. See “Cleaning” in “Care and Maintenance” section for instructions.
- NEVER leave the grill unattended while using.
- Do not use water to extinguish the grease fire, because it may cause body injury. Turn knobs to OFF and LP tank off in case grease fire occurs.
- Grease fires cannot be put out by closing the lid. Turn knobs and LP tank to OFF IMMEDIATELY if any grease fire occurs.

⚠ WARNING

For your safety:

- Keep grill area clear and free from any flammable material.
- NEVER let children operate the grill or play near the grill.
- This grill is for OUTDOOR USE ONLY. NEVER use in a enclosed area such as a carport, porch, covered patio, garage, or under a surface that can catch fire.
- Do not block the ventilation holes in the four sides of the grill cart, since it may affect the combustion performance of the burner due to insufficient air.
- Use the grill at least 36" (91 cm) away from any wall or surface and 120" (305 cm) away from objects that may spark and ignite gas (i.e., live electrical appliances or pilot lights of water heaters).
- Do not use this grill on or under wood balconies.
- This grill is designed to use only LP gas. DO NOT use lava rock, briquettes, or charcoal in it.
- NEVER light the burner with the lid closed. Nonignited gas accumulated inside a closed grill may cause explosions.
- Check the burner flames periodically.
- Turn off the gas supply when the grill is not in use.
- Always turn off the LP tank completely and detach from the grill before moving.

POST-ASSEMBLY

OPERATING INSTRUCTION

GENERAL USE OF THE GRILL:

The grill burners encompass the entire cooking area and are side-ported to minimize blockage from falling grease and debris. Above the burners are stainless-steel heat diffusers. The igniter knobs are located on the valve panel. Follow the lighting instructions printed on the control panel.

USING THE GRILL:

Grilling requires high heat for searing and proper browning. Most foods are cooked at the HI heat setting for the entire cooking time. However, when grilling large pieces of meat or poultry, it may be necessary to turn the heat to a lower setting after the initial browning. This cooks the food through without burning the outside. Foods cooked for a long time or basted with a sugary marinade may need a lower heat setting near the end of the cooking time.

1. Make sure the grill has been leak-tested and is properly located.
2. Remove any packing material.
3. Light the grill burners using the instructions in this manual.
4. Turn the control knob to HI and preheat the grill for 15 minutes, or to desired temperature.
5. The grill lid is to be closed during the preheat period.
6. Place food on the grill and cook to the desired doneness. Adjust heat setting, if necessary. The control knob may be set to any position between HI and LO.
7. The grill is designed to grill efficiently without the use of lava rocks or briquettes of any kind. Heat is radiated by the stainless-steel flame tamers under the cast iron cooking grids.
8. The hot grill sears the food, sealing in the juices. The longer the preheat, the faster the meat browns.

POST-ASSEMBLY

SAFETY TIPS

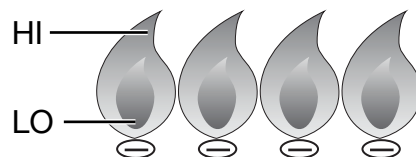
SAFETY TIPS:

1. Always check for leaks after every LP tank change.
2. Always check for leaks before each use.
3. Use long barbeque tools to avoid burns.
4. Check all gas supply fittings for leaks before each use. It is handy to keep a spray bottle of soapy water near the shut-off valve of the gas supply line. Spray all of the fittings. Bubbles indicate leaks.
5. Disconnected LP tanks must have threaded valve plugs tightly installed and must not be stored in a building, garage, or any other enclosed areas.
6. Turn off all control knobs and LP tank valve when the grill is not in use.
7. If the appliance is stored indoors, the LP tank must be disconnected and removed from the grill.
8. LP tanks must be stored outdoors in a well-ventilated area. Disconnected LP tanks in storage or being transported must have a safety cap.
9. Never leave an LP tank in a recreational vehicle or boat which may become overheated by the sun.
10. Do not store LP tank in or near an area where children play.
11. For any other problems, see “Troubleshooting” or contact Consumer Affairs.

CARE AND MAINTENANCE

MAINTENANCE:

1. Keep the grill area clear and free from combustible materials, gasoline, and other flammable vapors and liquids.
2. Keep the holes in the three sides of the cart clear and free from debris, ensuring the flow of combustion and ventilation air is unobstructed.
3. Visually check burner flames as following:
 - Remove cooking grids and flame tamers.
 - Light burners.
 - Turn knobs from HI to LO and check the flame status. The flame in the LO position should be smaller than in the HI position, as figure shown below.
 - Always check flame before each use. See “Troubleshooting” if any abnormal status is found.



4. Visit our website, www.hamiltonbeach.com, or call Consumer Affairs at 1-800-851-8900 for replacement parts.

POST-ASSEMBLY

CARE AND MAINTENANCE

CLEANING

COOKING AREA CLEANING

The easiest way to clean the grill is to clean it immediately after turning off the flame when cooking is completed. Wear a barbecue mitt to protect your hand from the heat and steam. Dip a brass bristle barbecue brush in tap water and scrub the hot grill. Dip the brush frequently in the water. Steam, created as water contacts the hot grill, assists the cleaning process by softening any food particles. The food particles will fall and burn. Never immerse a hot part in water.

GRILL BURNER CLEANING

- Be sure the tank valve and the knobs are in the OFF position. Make sure the grill is cool.
- Clean the exterior of the burner with a wire brush. Clear stubborn scale with a metal scraper. Clear any clogged ports with a straightened paper clip. Never use a wooden toothpick since it may break off and clog the port.
- Please note that if insects or other obstructions are blocking the flow of gas through the burner, you will need to call Consumer Affairs.

VERY IMPORTANT: The orifice of the valve must be located in the center of the burner section after removal and cleaning. Otherwise, it may cause serious bodily injury and property damage. Swing the burner slightly after replacing to check whether it has been installed properly.

GREASE TRAY CLEANING

The grease tray should be emptied, wiped down periodically, and washed in a mild detergent and warm water solution. A small amount of sand may be placed in the bottom of the grease tray to absorb the grease.

SPIDER AND INSECT WARNING

Spiders and insects can nest in the burners after storing. These nests can cause fires inside the tube or beneath the grill. This is a very dangerous condition. Always clean the burners before use.

WHEN TO LOOK FOR SPIDERS

Inspect the burners at least once a year or immediately if any of the following conditions occur:

1. Yellow flame with burning smell.
2. Temperature will not rise.
3. Heats unevenly.
4. Burners make popping noises.

POST-ASSEMBLY

TROUBLESHOOTING

BEFORE CALLING FOR SERVICE:

Please check the following problems/solutions before contacting Consumer Affairs.

PROBLEM	POSSIBLE CAUSE	SOLUTION
Burner will not light after turning and pushing the knobs.	Propane tank is empty.	Refill or replace propane tank.
	Igniter deposited with cooking residues.	Use clean swab and alcohol to clean.
	Igniter damaged.	Replace.
	Igniter wires are loose or fall off.	Reconnect or replace with new igniter assembly with wires.
	Orifice blocked.	Check the orifice for blockage.
	Wire is shorting.	Replace with new igniter assembly with wires.
Burner cannot light by match.	No gas	Open the LP tank valve or replace LP tank valve.
	Gas flow is not smooth.	Clear burner tubes.
	Incorrect assembly between burner and valve	Reassemble.
Yellow or orange flame with gas odor	Incomplete combustion	Call Consumer Affairs at 1-800-851-8900.
Low heat with knob in HI position	Gas hose bent or kinked.	Smooth out the hose.
	Burner or orifice blocked.	Clear blockage.
	Low gas pressure	Call the gas dealer.
	Grill not preheated	Preheat the grill for 15 minutes.
Flare-up	Excessive meat fat	Cut off fat before grilling.
	Temperature too high	Adjust.
	Grease deposit	Clean.
Flameout	High winds	Find a less windy place.
Flame lifting	Gas pressure too high	Call the gas dealer.
Flashback	Burner port blocked.	Clean burner port.
Grease fire	Grease accumulated in food.	Turn off knobs and LP tank valve. Leave lid open and let fire burn out. Clean the grill after cooling.

POST-ASSEMBLY

FOOD SAFETY

1. Always follow the following tips to enjoy safe and healthy outdoor grilling.
2. Always use hot, soapy water to wash hands, surfaces, and utensils after processing raw meat.
3. Always separate raw meat from cooked foods to avoid cross-contamination.
4. Always use clean utensils to handle food.
5. Always cook meat thoroughly to kill germs. Use a thermometer to inspect the inner temperature of the meat, if necessary.
6. Place cooked foods and leftovers promptly into the refrigerator when done eating.

VERY IMPORTANT: DO NOT LEAVE THE GRILL UNATTENDED WHILE COOKING.

GRILL STORAGE

1. Clean the grill. Turn the gas off at the supply cylinder.
2. Store the grill in a well-ventilated, dry, outdoor area. Keep out of the reach of children when LP tank is connected to the grill.
3. Store the grill indoors **ONLY** after the LP tank is turned off and removed. The LP tank must be stored outdoors out of the reach of children. **NEVER** store the tank in a building, garage, or any other enclosed area.

LIMITED WARRANTY

This warranty applies to products purchased in the U.S. and Canada. This is the only express warranty for this product and is in lieu of any other warranty or condition.

This product is warranted to be free from defects in material and workmanship for a period of five (5) years for the burners and one (1) year for all other parts from the date of original purchase. During this period, your exclusive remedy is repair or replacement of the part found to be defective, at our option; however, you are responsible for all costs associated with processing a warranty claim made more than thirty (30) days after the purchase date, including shipping and handling, for returning a part to us and our returning a part under this warranty to you. The original warranty period is not extended or renewed by the repair or replacement of any part.

This warranty does not cover igniter batteries, wear from normal use (such as paint loss, discoloration, or rust of the product or its parts), use not in conformity with the printed directions, or damage to the product resulting from accident, alteration, abuse, or misuse. This warranty extends only to the original consumer purchaser. Keep the original sales receipt, as proof of purchase is required to make a warranty claim. This warranty is void if the product is used for other than single-family household use, such as commercial or rental uses.

We exclude all claims for special, incidental, and consequential damages caused by breach of express or implied warranty. All liability is limited to the amount of the purchase price. **Every implied warranty, including any statutory warranty or condition of merchantability or fitness for a particular purpose, is disclaimed except to the extent prohibited by law, in which case such warranty or condition is limited to the duration of this written warranty.** This warranty gives you specific legal rights. You may have other legal rights that vary depending on where you live. Some states or provinces do not allow limitations on implied warranties or special, incidental, or consequential damages, so the foregoing limitations may not apply to you.

To make a warranty claim, do not return this appliance to the store. Please call 1.800.851.8900 in the U.S. or 1.800.267.2826 in Canada or visit hamiltonbeach.com in the U.S. or hamiltonbeach.ca in Canada. For faster service, locate the model, type, and series numbers on your appliance.

**¡DETÉNGASE! PARA NO PROVOCAR DAÑOS A SU
PARRILLA, LEA PRIMERO ESTE MANUAL A FIN DE
OBTENER INSTRUCCIONES IMPORTANTES DE
DESEMPAQUE Y MONTAJE.**



Hamilton Beach



Parrilla a Gas Tipo OG01

Manual de Montaje y Operación

Asuntos del Consumidor: 1-800-851-8900

SÓLO PARA USO EN EL EXTERIOR

Hamilton Beach Brands, Inc.
Glen Allen, Virginia 23060

TABLA DE CONTENIDOS

ANTES DE COMENZAR

Mensaje a Nuestros Usuarios	35
Símbolos de Seguridad	35
Precauciones de Instalación/Seguridad	36
Advertencia para Propano y Gas	36
Lista de Piezas de la Parrilla	37
Diagrama de Piezas de la Parrilla	39

MONTAJE

Antes del Montaje	40
Pasos del Montaje	43

DESPUÉS DEL MONTAJE

Conexión de Gas	51
Prueba de Pérdidas	55
Lista de Control Final de la Instalación	56
Instrucción de Iluminación de la Parrilla	57
Instrucciones de Operación	59
Consejos de Seguridad	61
Cuidado y Mantenimiento	62
Resolviendo Problemas	64
Seguridad de los Alimentos	66
Almacenamiento de la Parrilla	66

PELIGRO

• Si huele gas:

1. Corte la conexión de gas a la parrilla.
2. Apague cualquier llama abierta de inmediato.
3. Abra la tapa de la parrilla.
4. Si el olor continúa, aléjese de la parrilla y llame inmediatamente al proveedor de gas o al departamento de bomberos.

ADVERTENCIA

- No almacene ni use gasolina u otros elementos inflamables cerca de esta parrilla o cualquier otro aparato.
- No deberá almacenarse ningún cilindro de LP sin conectar para su uso en cercanía de esta parrilla o cualquier otro aparato.

ANTES DE COMENZAR

MENSAJE A NUESTROS USUARIOS

Gracias por haber adquirido nuestra parrilla a gas. Deseamos sinceramente que disfrute el uso de nuestros excelentes productos.

- Tenga a bien leer este manual de usuario por completo antes de utilizar la parrilla.
- Tenga a bien comunicarse con asuntos del consumidor si tiene alguna pregunta.
- Tenga a bien leer este manual de usuario con detenimiento. No seguir estas instrucciones puede provocar lesiones corporales graves y/o daños a la propiedad.
- Algunas partes de esta parrilla pueden tener bordes afilados. Utilice guantes de protección adecuados.

IMPORTANTE: Esta parrilla debe utilizarse sólo al aire libre y no debe instalarse dentro o sobre vehículos recreativos o barcos.

NOTA AL INSTALADOR: Deje este manual del usuario al consumidor después de la entrega y/o instalación.

NOTA AL CONSUMIDOR: Deje este manual de usuario en un lugar conveniente para referencia futura.

SÍMBOLOS DE SEGURIDAD



Los símbolos listados aquí se utilizan en todo el manual. Preste especial atención a los mismos. El significado de cada uno de los símbolos se encuentra aquí:

PELIGRO

Este símbolo indica una situación inminentemente peligrosa que puede provocar la muerte o una lesión corporal grave si no se cumple en forma adecuada.

ADVERTENCIA

Este símbolo indica que se pueden provocar lesiones corporales graves si no se cumplen las instrucciones.

PRECAUCIÓN

Este símbolo indica una situación peligrosa que puede provocar una lesión corporal menor o moderada si las instrucciones no se cumplen en forma adecuada.

ANTES DE COMENZAR

⚠️ ADVERTENCIA

PROPOSICIÓN 65 DE CALIFORNIA

1. Los subproductos de la combustión generados cuando se utiliza este producto contienen químicos que según el Estado de California provocan cáncer, defectos congénitos y otros daños reproductivos.
2. Este producto contiene productos químicos, como plomo y compuestos de plomo, que según el Estado de California provocan cáncer, defectos congénitos u otros daños reproductivos.

Lávese las manos después de manipular este producto.

PRECAUCIONES DE INSTALACIÓN/SEGURIDAD

⚠️ ADVERTENCIA

LEA ESTA SECCIÓN PRIMERO ANTES DE INSTALAR LA PARRILLA

- Esta parrilla está diseñada para usar sólo gas LP. Debe utilizarse el regulador provisto por Hamilton Beach.
- La instalación de este artefacto debe cumplir con códigos locales o, si no existieran, con el **Código Nacional de Gas Combustible, ANSI Z223.1/NFPA 54**, o el **Código de Instalación de Gas Natural y Propano CAN/CSA B149.1.**, o el **Código de Almacenamiento y Manipulación de Propano CAN/CSA B149.2.**
- El tanque de suministro de gas LP utilizado debe estar construido y rotulado de acuerdo con las especificaciones para tanques de gas LP del **Departamento de Transporte de los EE.UU. (DOT)** o la **Norma Nacional de Canadá CAN/CSA-B339, Tanques, esferas y tubos para el transporte de materiales peligrosos.**
- Si se utiliza una fuente eléctrica externa, el aparato a gas para cocción al aire libre, cuando se instale, debe conectarse a tierra de acuerdo con los códigos locales o, si no los hubiere, con el **Código Eléctrico Nacional, ANSI/NFPA 70**, o el **Código Eléctrico Canadiense, CSA C22.1.** Mantenga el cable eléctrico del motor alejado de superficies calientes de la parrilla cuando se encuentre en uso. Quite y almacene el motor en un lugar seco cuando no se encuentre en uso.
- Esta parrilla cuenta con un certificado de seguridad sólo para usarse en los EE.UU. y Canadá. Nunca la modifique para poder utilizarla en otros lugares. La modificación puede provocar graves lesiones corporales o daños a la propiedad. Hamilton Beach no se hace responsable de ninguna modificación, y todas las garantías perderán su validez.

CONSUMO TOTAL DE GAS:

Consumo total de gas (por hora) de la parrilla OG01 con todos los quemadores en HI (alta):
3 Quemadores principales x 11,000 Btu/hr, cada: Total 33,000 Btu/h

ANTES DE COMENZAR

LISTA DE PIEZAS DE LA PARRILLA

CLAVE	DESCRIPCIÓN	CANTIDAD	NÚMERO DE PIEZA
1	Tapa	1	990130100
2	Indicador de Temperatura	1	990127300
3	Bisel, Indicador de Temperatura	1	990127400
4	Placa con Logotipo	1	990130500
5	Manija de la Tapa	1	990127500
6	Varilla Giratoria, Tapa	2	990127600
7	Bisel, Varilla Giratoria	2	990127700
8	Cámara de Combustión	1	990129900
9	Estante Lateral Izquierdo	1	990127800
10	Bandeja de Calentamiento	1	990127900
11	Rejilla de Cocción	2	990128000
12	Difusor de Calor (Difusor de Llamas)	3	990128100
13	Quemador Principal	3	990128200
14	Colector, Quemador Principal	1	990128300
15	Válvula de Gas, Quemador Principal	3	990128400
16	Regulador	1	990129700
17	Panel de Control	1	990130200
18	Perilla de Control	3	990128500
19	Panel Trasero	1	990139500
20	Estante Lateral Derecho	1	990128700
21	Gancho del Recipiente para Grasa	1	990135000
22	Recipiente para Grasa	1	990135100
23	Armazón del Carrito	1	990130400
24	Cadena de Sujeción del Tanque	1	990128800

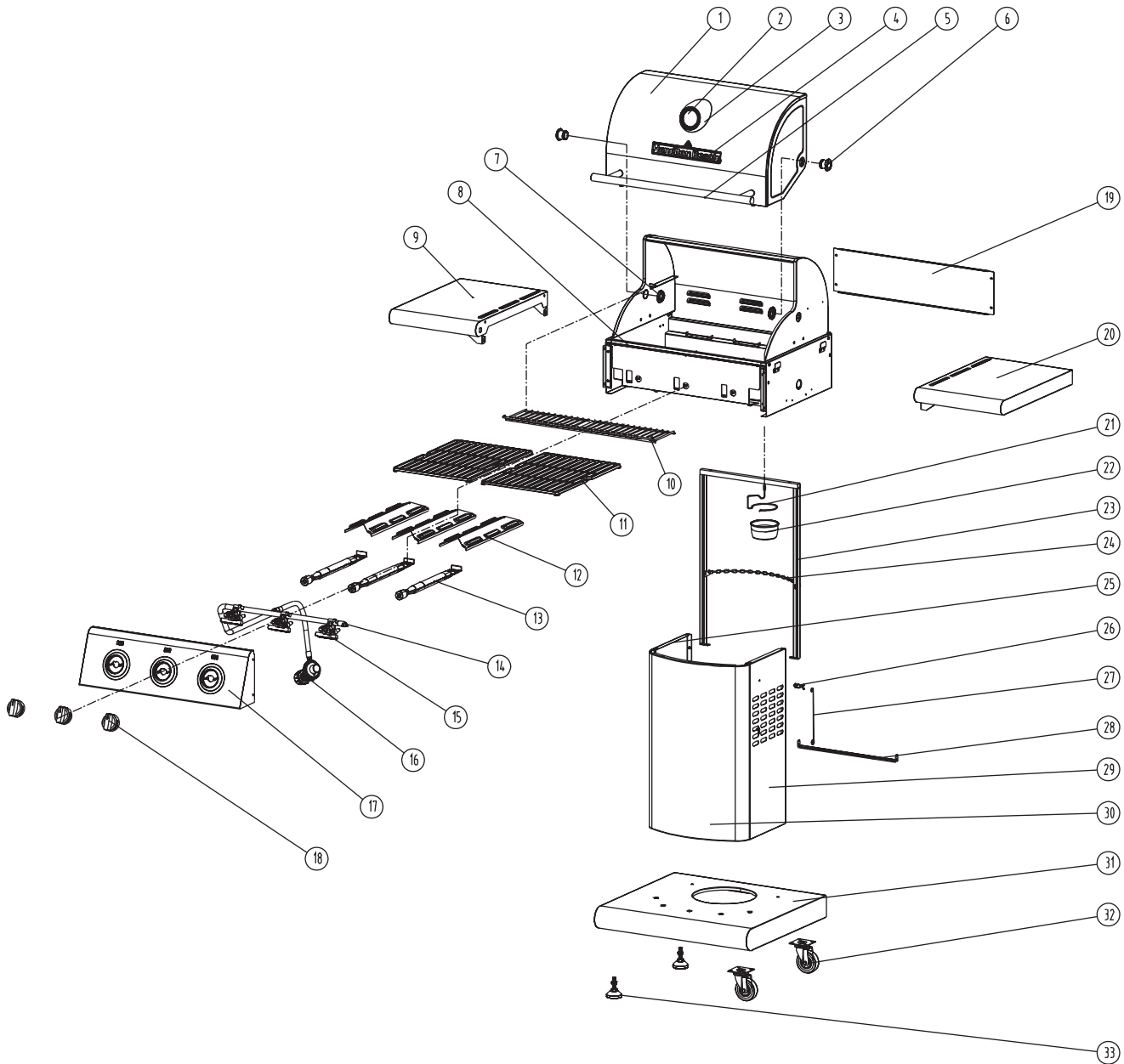
ANTES DE COMENZAR

LISTA DE PIEZAS DE LA PARRILLA

CLAVE	DESCRIPCIÓN	CANTIDAD	NÚMERO DE PIEZA
25	Panel Izquierdo	1	990130300
26	Soporte para Portacerillos (Nudo de Nylon)	1	990137000
27	Portacerillos	1	990137100
28	Deflector del Tanque	1	990139600
29	Panel Derecho	1	990135600
30	Panel Frontal	1	990130000
31	Estante Inferior	1	990129800
32	Rueda Normal	2	990128900
33	Pata	2	990129000

ANTES DE COMENZAR

DIAGRAMA DE PIEZAS DE LA PARRILLA



MONTAJE

ANTES DEL MONTAJE

LEA Y SIGA LAS SIGUIENTES INSTRUCCIONES PARA DESEMPACAR CORRECTAMENTE LAS PIEZAS DE LA PARRILLA DE LA CAJA DE ENVÍO.

PASO 1:

1. Abra la caja de envío cortando los bordes con un cortador de cajas. Quite todas las piezas del poliestireno de protección como se indica en la **Fig. A**. Quite todas las piezas de las bolsas plásticas.

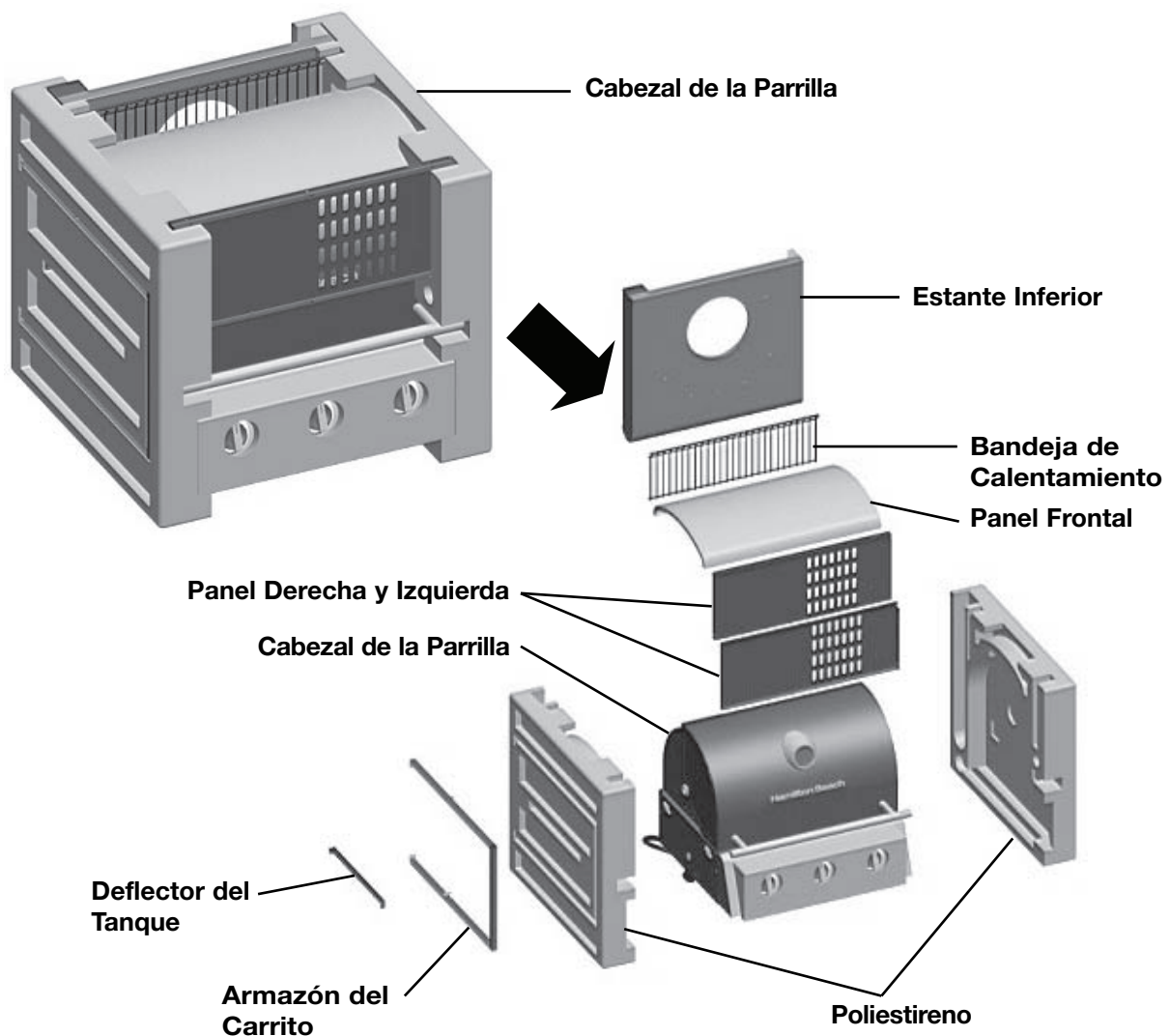


Fig. A

MONTAJE

ANTES DEL MONTAJE

PASO 2:

1. Abra la tapa de la parrilla y quite las cajas pequeñas empacadas con el cabezal de la parrilla. Quite todo el material de empaque y saque todas las piezas de las cajas como se indica a continuación en la **Fig. B**.

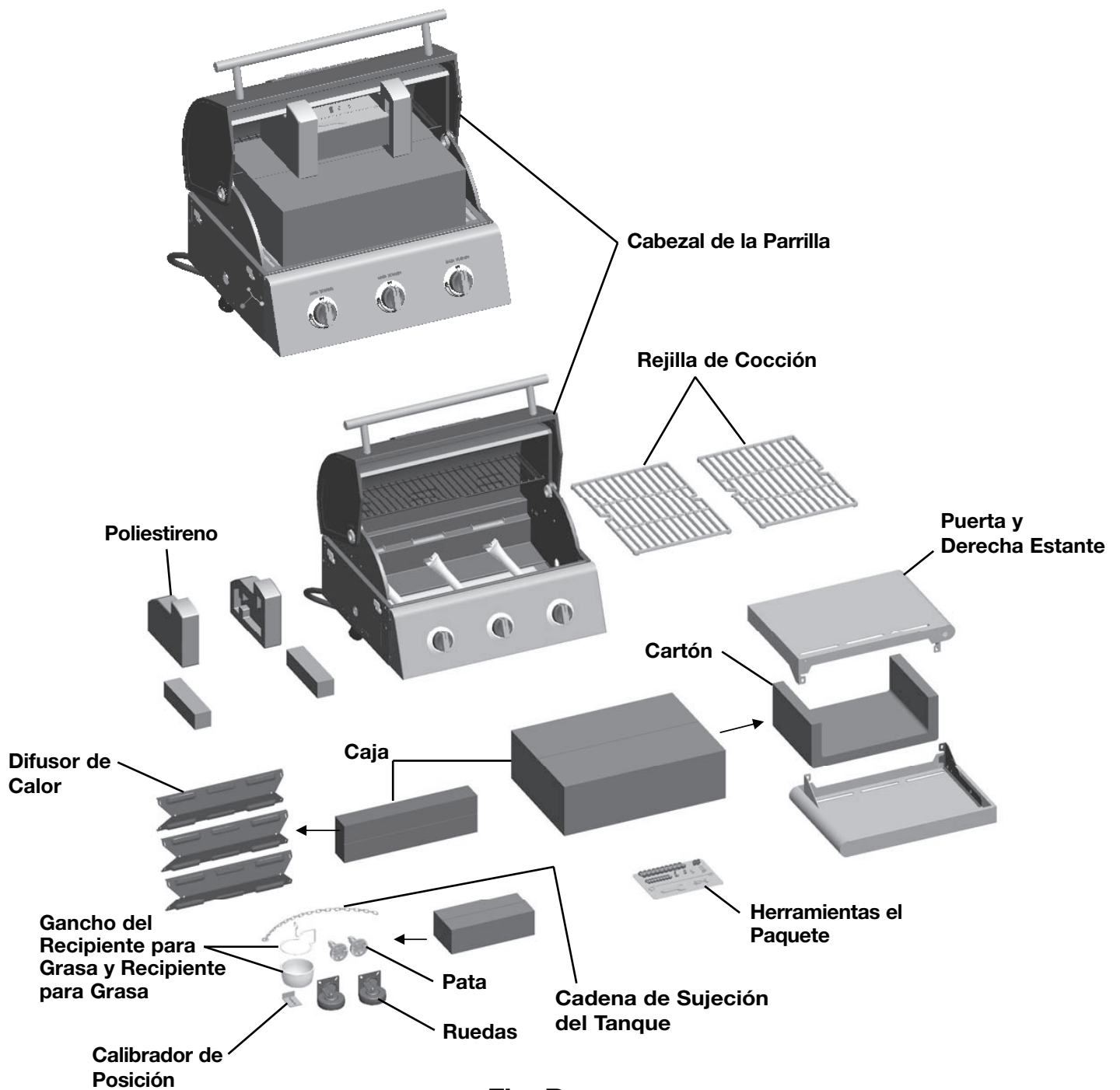


Fig. B

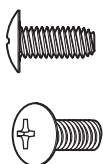
MONTAJE

ANTES DEL MONTAJE

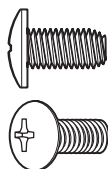
LEA Y SIGA ESTAS INSTRUCCIONES CON CUIDADO PASO POR PASO

Herramientas necesarias:

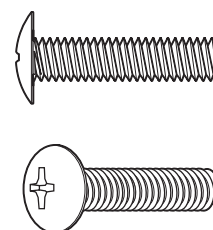
- Destornillador de estrella #2 (no provisto)
- Las siguientes herramientas se incluyen en el paquete de protección:



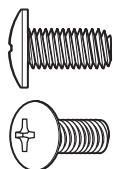
M4 x 10 Tornillos (16)



M5 x 10 Tornillos (5)



M6 x 26 Tornillos (2)



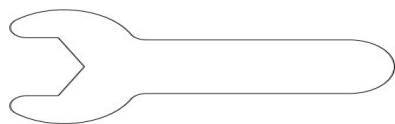
M6 x 13 Tornillos (20)



M6 Arandela de Plana (6)



M6 Arandela de Compresión (4)



Llave (1)



M4 Nuez (4)



Soporte para Portacerillos
(Nudo de Nylon) (1)



Portacerillos (1)

MONTAJE

PASOS DEL MONTAJE

PASO 1: Estante Inferior

1. Dé vuelta el estante inferior. Sujete las dos (2) ruedas normales al lado derecho del estante inferior con ocho (8) tornillos M6 x 13 como se indica en la **Fig. 1**.
2. Atornille una pata en el estante inferior a mano, utilizando el calibrador de posición para determinar la profundidad adecuada como se indica en la **Fig. 1**. Una vez que la pata se ha atornillado a la profundidad adecuada, sosténgala en su lugar mientras ajusta la tuerca al estante inferior con la llave provista, como también se indica en la **Fig. 1**. Esto asegurará la pata en su lugar.
3. Repita el paso 2 con la otra pata.

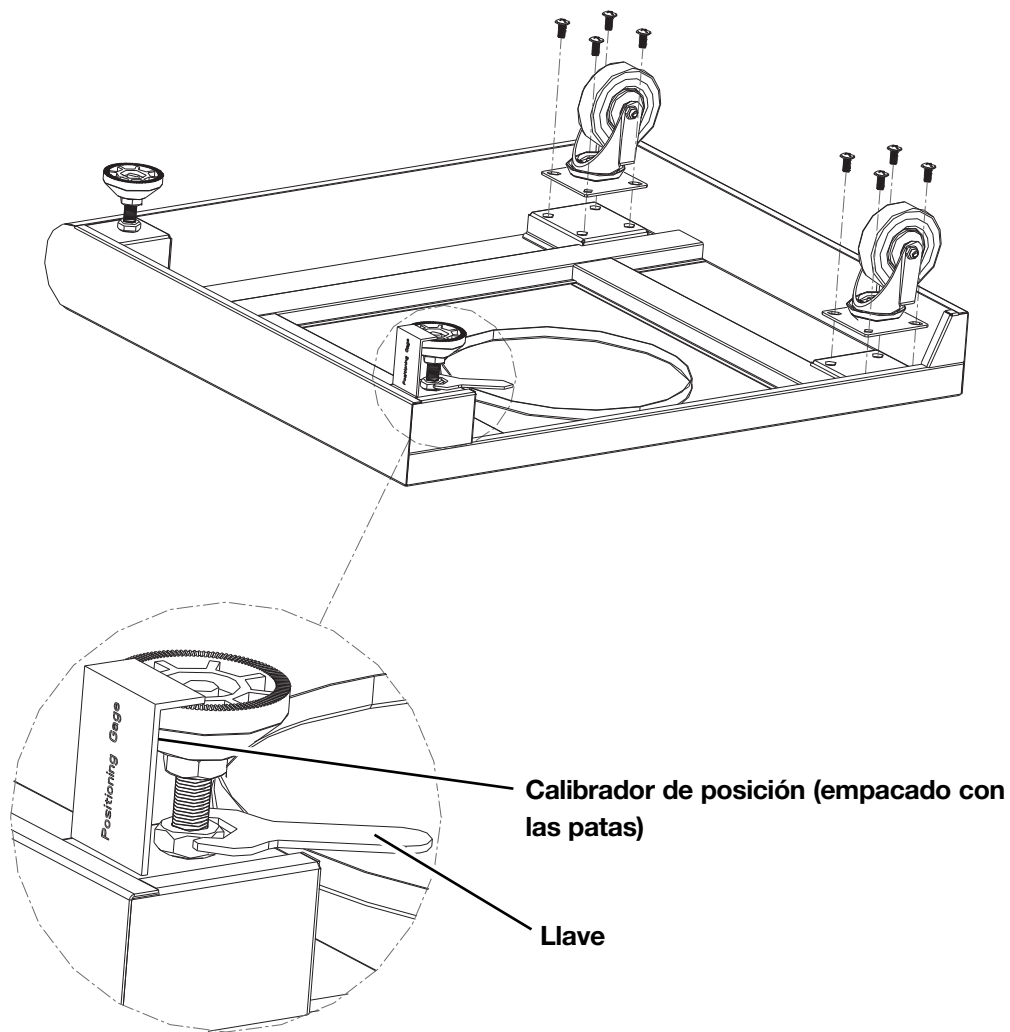


Fig. 1

MONTAJE

PASOS DEL MONTAJE

PASO 2: Carrito

1. Gire el estante inferior con el lado derecho hacia arriba como se indica en la **Fig. 2**.
2. Sujete el panel frontal con la dirección correcta marcada "UP" (arriba) al frente del estante inferior con tres (3) tornillos M5 x 10 como se indica en la **Fig. 2**.
3. Sujete el panel izquierdo (marcado "L") al panel frontal con tres (3) tornillos M4 x 10 como se indica en la **Fig. 2**. Sujete el panel izquierdo al estante inferior con un (1) tornillo M5 x 10 como se indica en la **Fig. 2**.
4. Sujete el panel derecho (marcado "R") al panel frontal con tres (3) tornillos M4 x 10. Sujete el panel derecho al estante inferior con un (1) tornillo M5 x 10 como se indica en la **Fig. 2**.

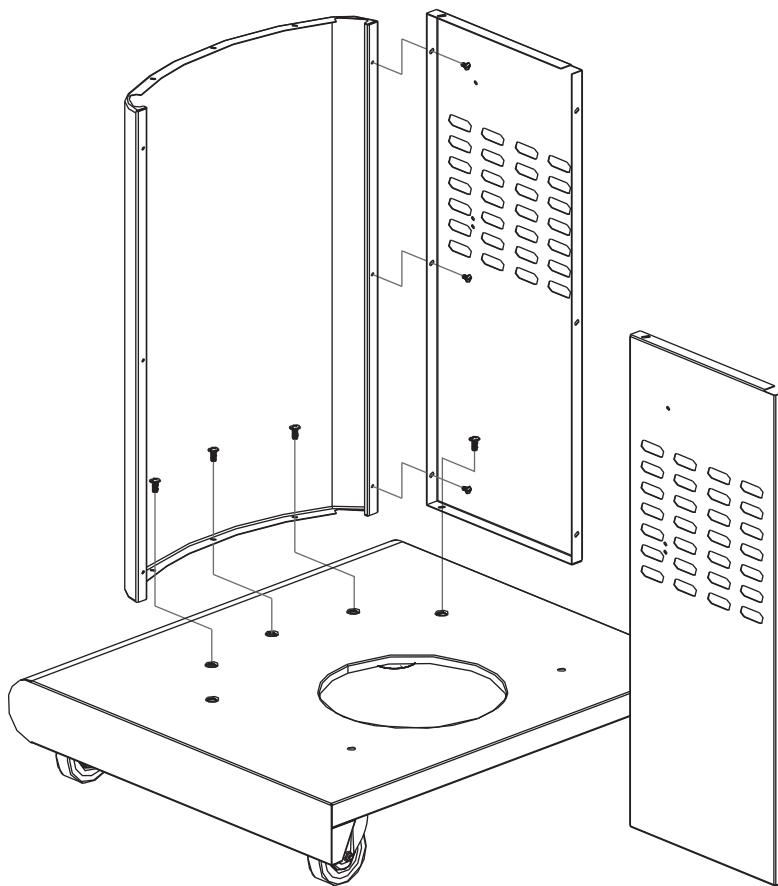


Fig. 2

MONTAJE

PASOS DEL MONTAJE

PASO 3: Armazón del Carrito

1. Para sujetar el armazón del carrito, alinee el mismo con los paneles laterales como se indica en la **Fig. 3**.
2. Sujete el armazón del carrito al panel izquierdo y panel derecho con seis (6) tornillos M4 x 10 (3 en cada lado) como se indica en la **Fig. 3**.
3. Sujete el armazón del carrito al estante inferior con dos (2) tornillos M6 x 13 (1 en cada lado) como se indica en la **Fig. 3**.
4. Coloque los extremos del deflector del tanque de modo que los orificios de los extremos del deflector se encuentren alineados con los orificios de los paneles laterales, luego sujete el deflector del tanque a los paneles izquierdo y derecho con cuatro (4) tornillos M4 x 10 (2 en cada lado) desde la parte exterior hacia la interior, y cuatro (4) tuercas M4 desde la parte interior (2 en cada lado), todo como se señala en la **Fig. 3**.

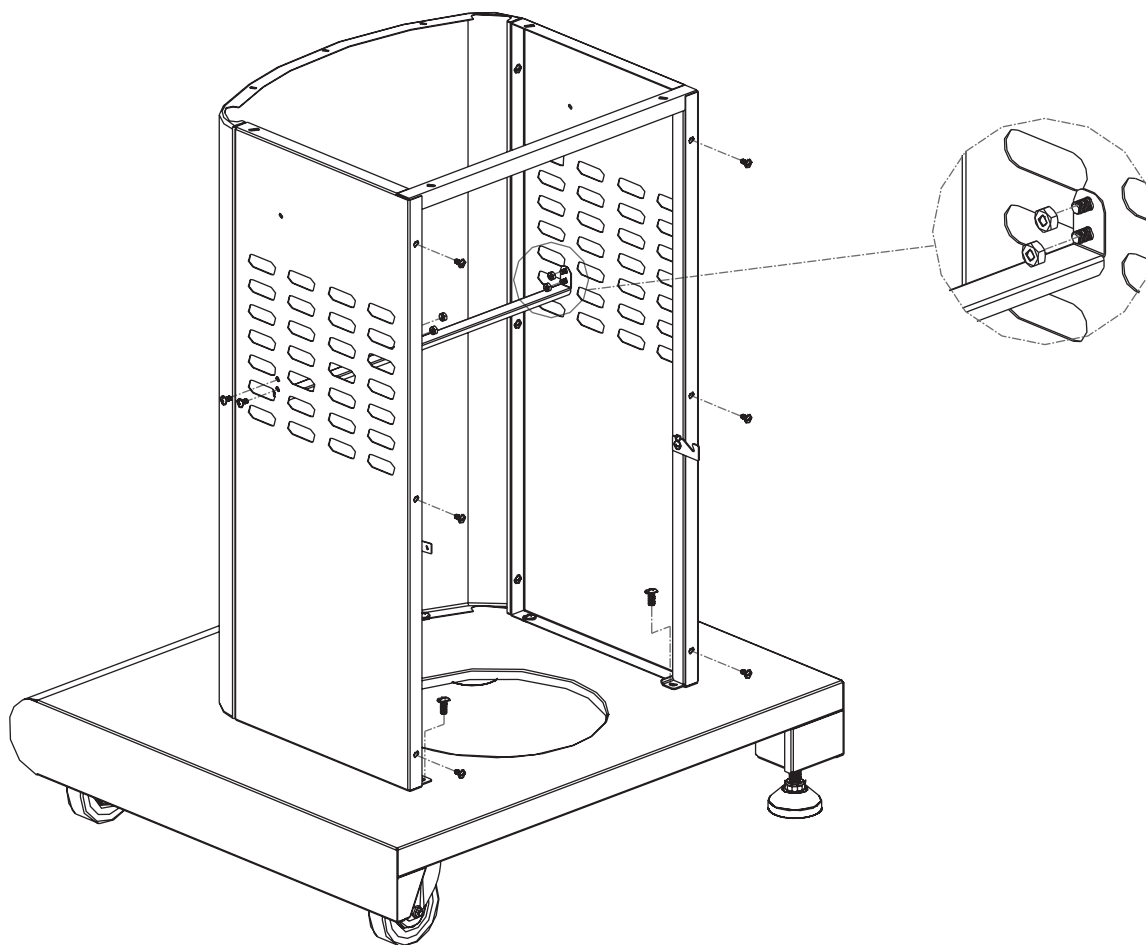


Fig. 3

MONTAJE

PASOS DEL MONTAJE

PASO 4: Cabezal de la Parrilla en el Carrito

1. Quite las sujeciones que fijan la manguera del regulador a la parte inferior del cabezal de la parrilla.
2. Con cuidado baje el cabezal de la parrilla sobre el carrito. Verifique que la manguera del regulador se encuentre colgando fuera del carrito. Sujete el cabezal al carrito con dos (2) tornillos M6 x 13 y dos (2) arandelas planas M6 en el frente; dos (2) tornillos M6 x 26 en la parte trasera como se indica en la **Fig. 4**.

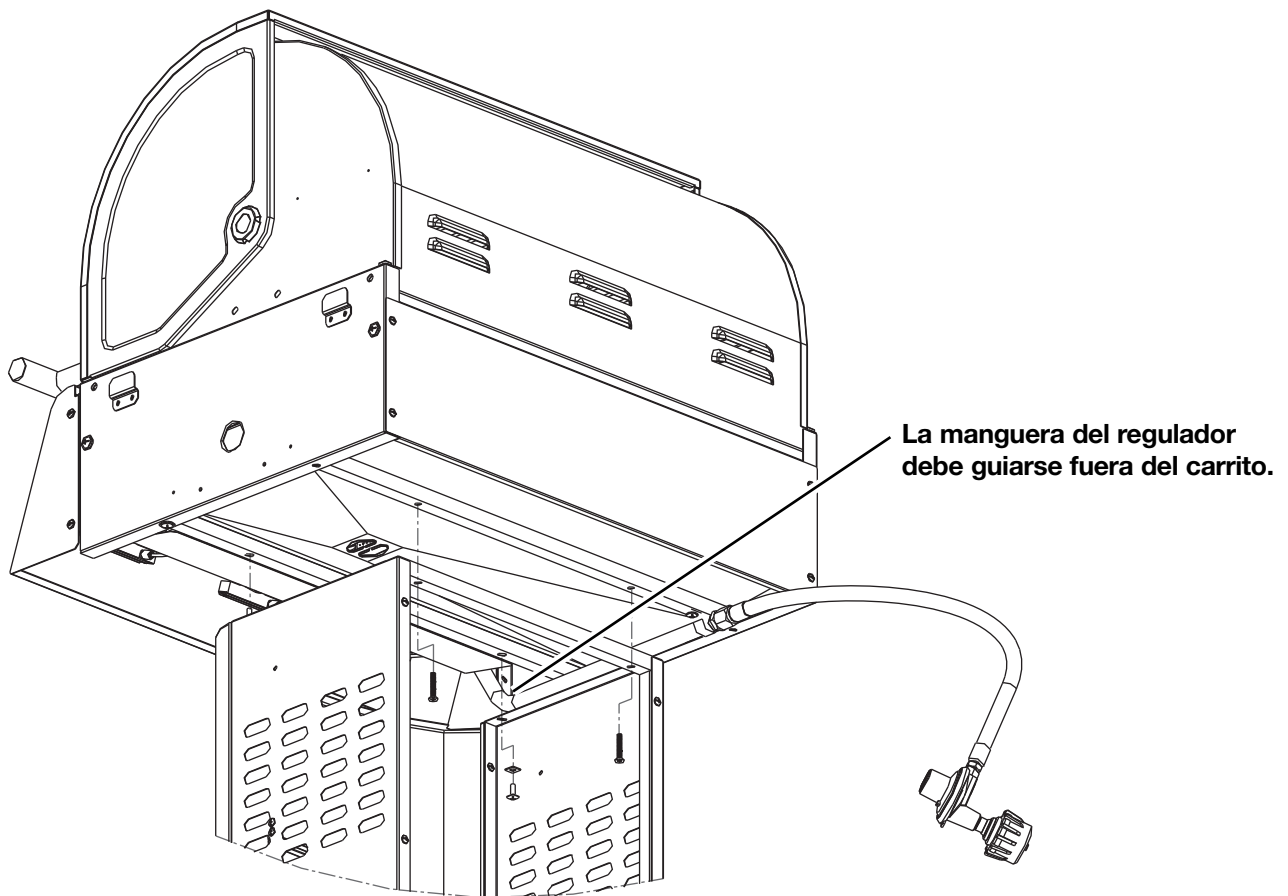


Fig. 4

MONTAJE

PASOS DEL MONTAJE

PASO 5: Estante de Lados

Sujete el estante derecho a la cámara de combustión de la siguiente manera:

1. Coloque el estante lateral sobre los soportes ubicados en el costado de la cámara de combustión como se indica en la **Fig. 5a** y quite las parrillas de cocción de la cámara de combustión.
2. Desde la parte exterior de la cámara de combustión, sujete el estante derecho (marcado "R") con dos (2) tornillos M6 x 13 y dos (2) arandelas planas M6 como se indica en la **Fig. 5b**.
3. Desde la parte interior de la cámara de combustión, sujete el estante derecho con dos (2) tornillos M6 x 13 y dos (2) arandelas de compresión M6 como se indica en la **Fig. 5c**.
4. Repita los pasos anteriores del 1-3 para el estante izquierdo (marcado "L").

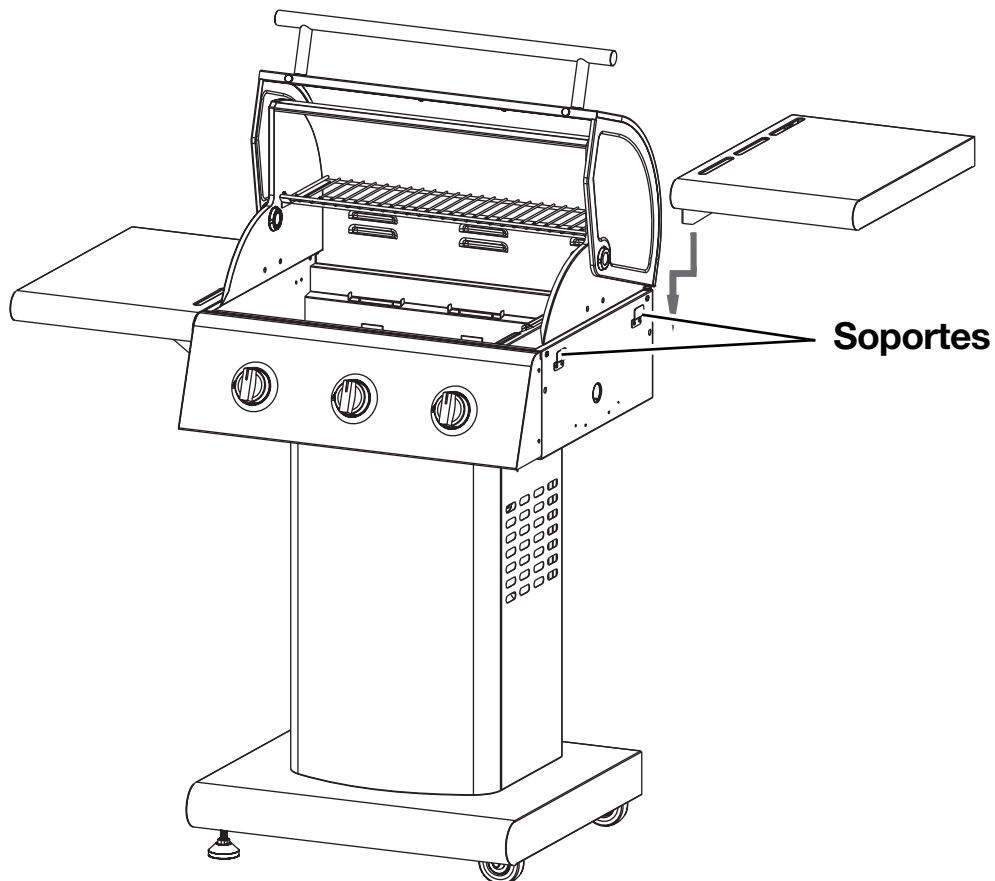
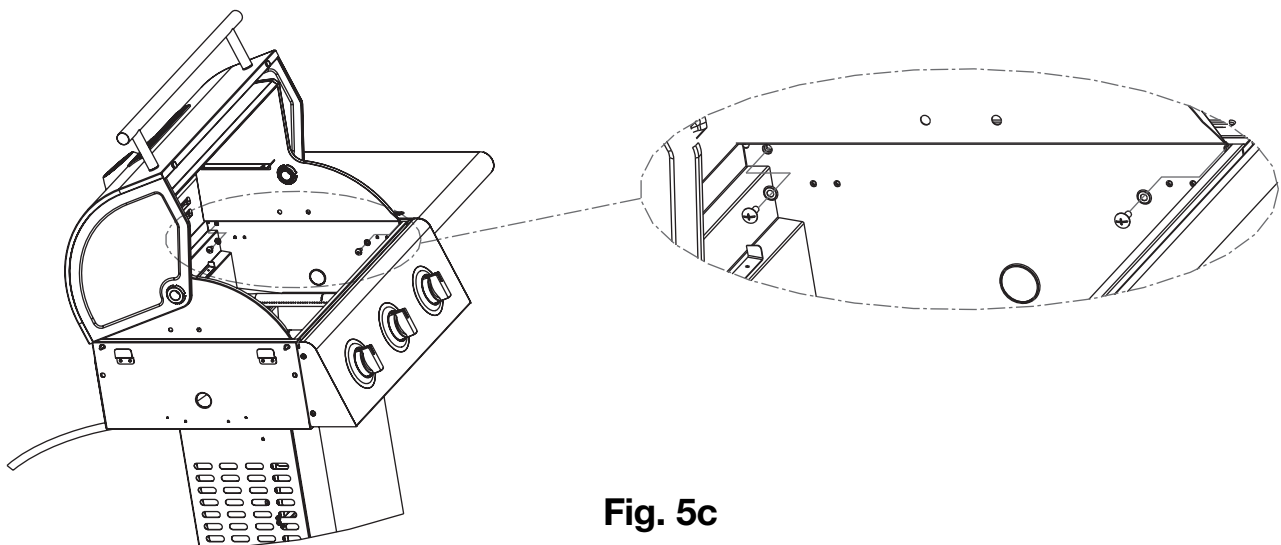
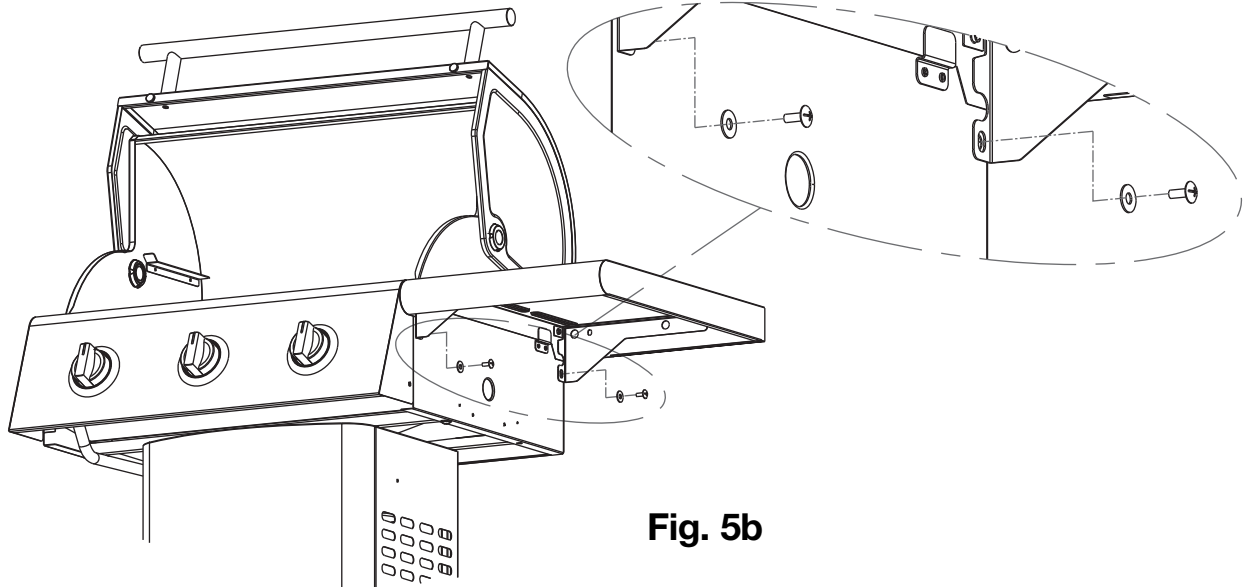


Fig. 5a

MONTAJE

PASOS DEL MONTAJE

PASO 5: Estante de Lados



MONTAJE

PASOS DEL MONTAJE

PASO 6: Nudo de Nylon

1. Introduzca el nudo de nylon en el orificio del panel lateral derecho, luego coloque el portacerillos dentro de él y captúrelo como puede verse en la **Fig. 6**.

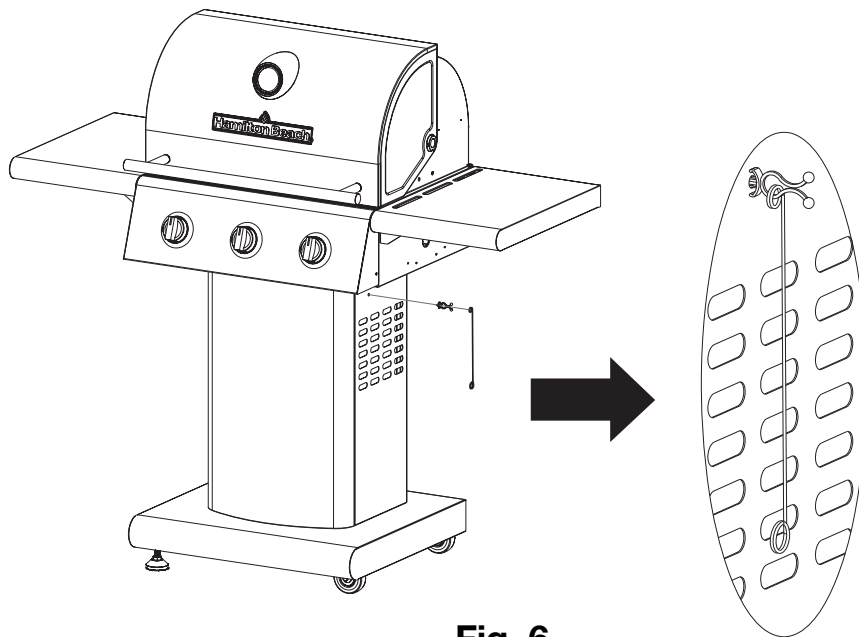


Fig. 6

PASO 7: Recipiente para Grasa

1. Coloque el recipiente para grasa dentro del gancho del recipiente para grasa y cuélguelo desde la parte inferior de la cámara de combustión como se indica en la **Fig. 7**.

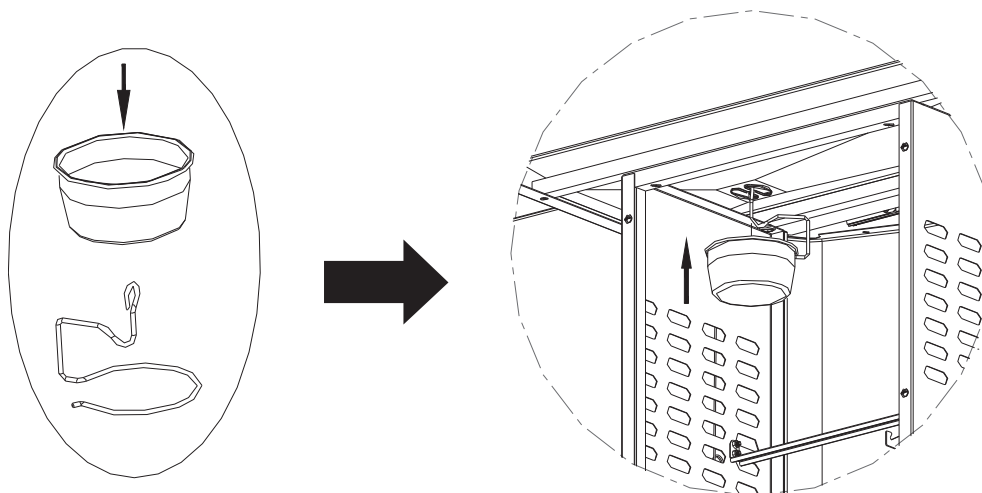


Fig. 7

DESPUÉS DEL MONTAJE

CONEXIÓN DE GAS

SÓLO UTILICE EL REGULADOR Y EL MONTAJE DE MANGUERA PROVISTOS CON LA PARRILLA. LOS REGULADORES DE PRESIÓN Y MONTAJES DE MANGUERA DE REPUESTO DEBE SOLICITARSE AL FABRICANTE DE LOS MISMOS.

Esta es una parrilla configurada para uso con gas LP (gas licuado de petróleo). No intente utilizar un suministro de gas natural a menos que la parrilla haya sido reconfigurada para uso con gas natural.

La instalación de este artefacto debe cumplir con códigos locales o, si no existieran, con el Código Nacional de Gas Combustible, ANSI Z223.1/NFPA 54, o el Código de Instalación de Gas Natural y Propano CAN/CSA B149.1., o el Código de Almacenamiento y Manipulación de Propano CAN/CSA B149.2.

REQUISITOS DEL TANQUE DE LP – EL TANQUE DE LP UTILIZADO CON SU PARRILLA DEBE CUMPLIR CON:

1. Medidas: 12" (30.5-cm) de diámetro x 18" (45.7-cm) de altura.
2. Capacidad máxima: 20 lbs. (9 kg).
3. Debe estar construido y rotulado de acuerdo con las especificaciones para tanques de gas LP del Departamento de Transporte de los EE.UU. (DOT) o la Norma Nacional de Canadá CAN/CSA-B339, Tanques, esferas y tubos para el transporte de materiales peligrosos. Ver el collarín del tanque de LP para verificar los rótulos.
4. El tanque debe estar orientado de modo de brindar una eliminación de vapor adecuada, como se indica en la **Fig. 9**.
5. Debe incluir un collarín para proteger la válvula del tanque.
6. No debe tener abolladuras u óxido. Un tanque de LP con abolladuras u óxido puede ser peligroso y su proveedor debe controlarlo.
7. Debe contar con una válvula de cierre que termine en una salida de válvula del tanque de gas LP especificada, según sea aplicable, para una conexión tipo QCC1 en la norma para salida de válvula de tanque de gas comprimido y conexión de entrada ANSI/CGA V-1.
8. Pueden utilizarse otros tanques con su parrilla siempre y cuando sean compatibles con los medios de retención del tanque indicados en la **Fig. 9**.

LA VÁLVULA DEL TANQUE DE LP DEBE CUMPLIR CON:

1. Debe tener una salida tipo I compatible con el regulador provisto.
2. Debe contar con una válvula de alivio de seguridad.
3. Debe contar con un dispositivo de protección de sobrellenado (OPD, por sus siglas en inglés) listado UL. Esta característica de seguridad del OPD se identifica con una manivela triangular especial. Sólo utilice tanques equipados con este tipo de válvula (como la figura indicada en la página siguiente).

DESPUÉS DEL MONTAJE

CONEXIÓN DE GAS

PARA SU SEGURIDAD:

Verifique que las arandelas plásticas negras del regulador provisto se encuentren en su lugar y que la manguera no entre en contacto con la protección térmica o el cabezal de la parrilla.

Coloque el tanque de LP en el orificio del estante inferior. Verifique que la conexión roscada de la parte superior apunte hacia la parte trasera de la parrilla como se indica en la **Fig. 9**. Fije el tanque en su lugar utilizando la cadena de sujeción del tanque como se indica en la **Fig. 9**.

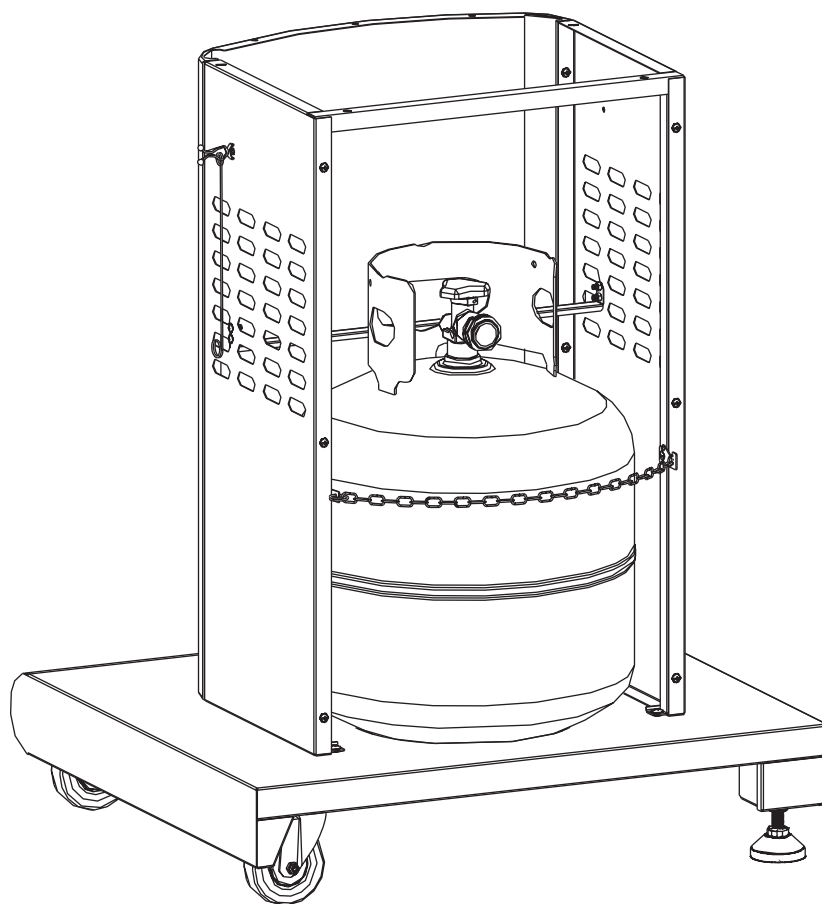


Fig. 9

DESPUÉS DEL MONTAJE

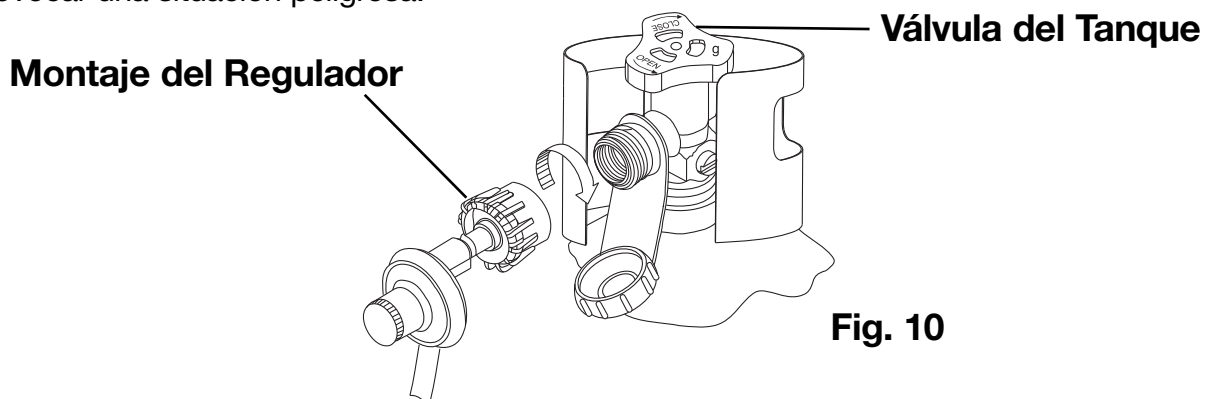
CONEXIÓN DE GAS

PARA SU SEGURIDAD:

Verifique que las arandelas plásticas negras del regulador provisto se encuentren en su lugar y que la manguera no entre en contacto con la protección térmica o el cabezal de la parrilla.

CONEXIÓN DEL REGULADOR AL TANQUE DE LP – MUY IMPORTANTE:

- **EL REGULADOR NO DEBE HALLARSE EN UN LUGAR QUE SUPERE UNA TEMPERATURA DE 140°F (60°C).**
 - **EL REGULADOR DEBERÁ INCORPORAR UNA VÁLVULA DE ALIVIO DE PRESIÓN O UN DISPOSITIVO DE SOBREPRESIÓN.**
 - **LA ENTRADA DEL REGULADOR DE PRESIÓN DEBERÁ CONTAR CON UNA CONEXIÓN TIPO I DE LA VÁLVULA DEL TANQUE SEGÚN ANSI Z21.81/CSA 6.25.**
1. Verifique que la válvula del tanque se encuentre en la posición OFF (apagado) total (gire en sentido de las agujas del reloj para detener).
 2. Controle la válvula del tanque para asegurar que cuente con roscas macho externas adecuadas (conexión tipo I según ANSI Z21.81/CSA 6.25).
 3. Verifique que todas las perillas de los quemadores se encuentren en la posición OFF (apagado).
 4. Quite la tapa protectora de la válvula del tanque de LP. Siempre use la tapa y abrazadera suministradas con la válvula.
 5. Inspeccione la boca de conexión de la válvula y el montaje del regulador. Verifique que no haya daños o residuos. Quite los residuos. Inspeccione la manguera en busca de daños. Nunca intente utilizar equipamiento dañado o tapado. Comuníquese con su proveedor local de gas LP para cualquier reparación.
 6. Cuando conecte el montaje del regulador a la válvula, ajuste la tuerca a mano en sentido de las agujas del reloj hasta una detención positiva, como se indica en la **Fig. 10**. No utilice una llave para ajustar. El uso de una llave puede dañar la tuerca de acoplamiento rápido y provocar una situación peligrosa.



7. Abra la válvula del tanque por completo (en sentido contrario a las agujas del reloj). Utilice una solución de agua jabonosa para controlar todas las conexiones en busca de pérdidas antes de encender la parrilla. Si encuentra una pérdida, gire la válvula del tanque a OFF (apagado) y no utilice la parrilla hasta que el proveedor local de gas LP pueda efectuar las reparaciones.

DESPUÉS DEL MONTAJE

CONEXIÓN DE GAS

⚠️ ADVERTENCIA

- Nunca introduzca objetos extraños dentro de la salida de la válvula. Podría dañar la válvula y provocar una pérdida. Una pérdida de gas puede generar un incendio, una explosión, lesiones personales graves o incluso la muerte.
- No conecte esta parrilla al sistema de gas LP autónomo de un cámper o casa rodante.
- No utilice la parrilla hasta que haya descartado la presencia de pérdidas.
- DETÉNGASE y llame al departamento de bomberos si detecta cualquier clase de pérdidas.
- Si no puede detener la pérdida de gas, cierre la válvula del tanque de LP INMEDIATAMENTE y llame al proveedor de gas LP o al departamento de bomberos.

⚠️ PELIGRO

No seguir estas instrucciones al pie de la letra puede iniciar un incendio, lo que puede provocar la muerte o una lesión grave.

- NUNCA almacene un tanque de LP de repuesto debajo o cerca de la parrilla o en un área cerrada.
- NUNCA llene el tanque más allá de su capacidad del 80%. Un tanque de LP de repuesto que supera su capacidad de llenado es peligroso porque el gas excedente puede escaparse de la válvula de alivio de seguridad. La válvula de alivio de seguridad del tanque de LP puede activarse, liberar gas y provocar un incendio.
- Coloque una tapa guardapolvos en la salida de la válvula del tanque cuando éste no se encuentre en uso. Sólo instale la clase de tapa guardapolvos en la salida de la válvula del tanque provista con la válvula del tanque. Otros tipos de tapas o tapones pueden provocar una pérdida de propano.
- Si detecta cualquier clase de pérdida en el tanque de LP, INMEDIATAMENTE aléjese de la parrilla y llame al departamento de bomberos.

MUY IMPORTANTE:

PARA DESCONECTAR UN TANQUE DE GAS LP:

1. Gire todas las perillas de control a OFF (apagado).
2. Apague la válvula del tanque por completo (gire en sentido de las agujas del reloj hasta detenerse).
3. Desconecte el montaje del regulador de la válvula del tanque girando la tuerca de acoplamiento rápido en sentido contrario a las agujas del reloj.
4. Instale de vuelta la tapa protectora de la válvula del tanque de LP.

DESPUÉS DEL MONTAJE

PRUEBA DE PÉRDIDAS

GENERALIDADES

- Aunque todas las conexiones de gas de la parrilla son sometidas a una prueba de pérdidas en la fábrica antes de su envío, debe llevarse a cabo una prueba completa de hermeticidad en el sitio de la instalación debido a una posible manipulación inadecuada o la aplicación sin intención de presión excesiva sobre la unidad. Controle todo el sistema en forma periódica en busca de pérdidas o inmediatamente controle el sistema si detecta olor a gas.

ANTES DE LA PUESTA A PRUEBA

1. Asegúrese de quitar todo el material de empaque de la parrilla, incluyendo las abrazaderas de los quemadores.
2. No fume durante la prueba de pérdidas.
3. Nunca realice una prueba de pérdidas con una llama abierta.
4. Prepare una solución jabonosa con una parte de detergente líquido (o jabón) y una parte de agua. Prepare una botella pulverizadora, un cepillo, o un paño para aplicar la solución a las conexiones. Para la prueba inicial de pérdidas, verifique que el tanque de LP esté lleno.
5. Se deben controlar las pérdidas de la parrilla al aire libre en un área bien ventilada, lejos de fuentes de ignición como artefactos a gas o eléctricos y materiales inflamables.
6. Mantenga la parrilla alejada de llamas abiertas y/o chispas durante la prueba.

PARA EFECTUAR LA PUESTA A PRUEBA

1. Verifique que todas las perillas de control se encuentren en la posición OFF (apagado).
2. Asegúrese de que el regulador esté conectado firmemente al tanque de LP.
3. Abra por completo la válvula del tanque de LP girando en sentido contrario a las agujas del reloj. Si oye un sonido fuerte (“PUM”), apague el gas DE INMEDIATO porque indica que hay una pérdida importante en la conexión. Llame al proveedor de gas o al departamento de bomberos.
4. Controle todas las conexiones desde el tanque de LP hasta e incluyendo la conexión al montaje de la tubería del colector (la tubería que va hasta el quemador) cepillando o pulverizando la solución jabonosa en las conexiones.
5. Si aparecen burbujas de jabón, hay una pérdida. Cierre el tanque de LP DE INMEDIATO y vuelva a ajustar las conexiones. Abra la válvula del tanque de LP de nuevo para volver a probar.
6. Si las pérdidas no pueden detenerse, NO TRATE DE REPARARLAS. Llame a Asuntos del Consumidor para obtener ayuda.
7. Siempre cierre la válvula del tanque de LP después de hacer una prueba de pérdidas girándola en sentido de las agujas del reloj. En esta parrilla sólo deben utilizarse las piezas recomendadas por el fabricante. Una sustitución dejará anulada la garantía. No utilice la parrilla hasta haber controlado todas las conexiones y haber verificado que no sufren pérdidas.

DESPUÉS DEL MONTAJE

LISTA DE CONTROL FINAL DE LA INSTALACIÓN

- Debe mantenerse por lo menos un espacio de 36" (91 cm) respecto de construcciones combustibles hacia los costados y parte trasera de la parrilla.
- No debe haber material de construcción combustible sobre la parrilla.
- Debe quitarse todo el material de empaque interno.
- Los quemadores deben estar bien colocados sobre los orificios. El orificio de la válvula debe colocarse en el centro de la sección del quemador después de la remoción y limpieza. De otro modo, puede provocar graves lesiones corporales y daños a la propiedad. Balancee el quemador ligeramente después de volver a colocarlo para verificar que se haya instalado correctamente.
- Las perillas deben girar libremente.
- El regulador y la manguera conectados a la parrilla deben ser provistos por el fabricante (predeterminado para una columna de agua de 11" [28 cm]).
- Se tiene que haber efectuado una prueba de pérdidas y la unidad debe hallarse libre de las mismas.
- El usuario debe saber la ubicación de la válvula de cierre del suministro de gas.

DESPUÉS DEL MONTAJE

INSTRUCCIÓN DE ILUMINACIÓN DE LA PARRILLA

**MUY IMPORTANTE:
SIEMPRE INSPECCIONE LA MANGUERA ANTES DE CADA USO.**

ANTES DE ENCENDER:

- Inspeccione la manguera de suministro de gas antes de encender (ON) el gas. Si hay evidencia de cortes, desgaste o abrasión, debe cambiarse antes del uso. La manguera de reemplazo deberá ser la especificada por el fabricante.

PARA ENCENDER LOS QUEMADORES PRINCIPALES DE LA PARRILLA:

Lea las instrucciones antes del encendido.

1. Abra la tapa y verifique que todas las perillas se encuentren en la posición "OFF" (apagado).
2. Presione y gire la perilla lentamente en sentido contrario a las agujas del reloj para encender (↻) como se señala en la **Fig. 11**. Continúe presionando hasta que el quemador se encienda, luego libere. Repita para los otros quemadores.
3. Si el quemador no se enciende, inmediatamente gire la perilla de control a la posición "OFF" (apagado) y repita el paso 2.
4. Si el quemador no se enciende después del paso 3, CORTE EL SUMINISTRO DE GAS y ESPERE 15 MINUTOS para que el gas se disperse y luego repita los pasos 1 y 2 o encienda con una llama externa.

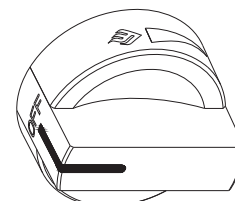


Fig. 11

Instrucciones de apagado:

1. Gire todas las perillas de control a "OFF" (apagado).
2. Apague el suministro de gas desde el tanque.

DESPUÉS DEL MONTAJE

INSTRUCCIÓN DE ILUMINACIÓN DE LA PARRILLA

IMPORTANTE:

La tapa debe estar abierta cuando encienda los quemadores. **APAGUE EL SUMINISTRO DE GAS** cuando no se encuentre en uso.

Para Asuntos del Consumidor, llamar: 1-800-851-8900.

PARA ENCENDER LOS QUEMADORES PRINCIPALES CON UNA CERILLA:

Si el quemador no se enciende después de varios intentos, puede encenderse con una cerilla.

Herramientas: Portacerillos (colgado debajo del estante del lado derecho)

Uso:

1. Lea las instrucciones antes del encendido.
2. Abra la tapa durante el encendido.
3. Gire la perilla de control a la posición de encendido (🔥) como se indica en la **Fig. 12**.
4. Quite el portacerillos del nudo en el costado de la base. Coloque un cerillo encendido entre las bobinas en el extremo del portacerillos y sostenga al lado del quemador para encender como se muestra en la **Fig. 12**. Si no se produce el encendido en 5 segundos, apague (OFF) la perilla de control del quemador y comuníquese con Asuntos del Consumidor.
5. Para encender los otros quemadores, repita los pasos 3–4.

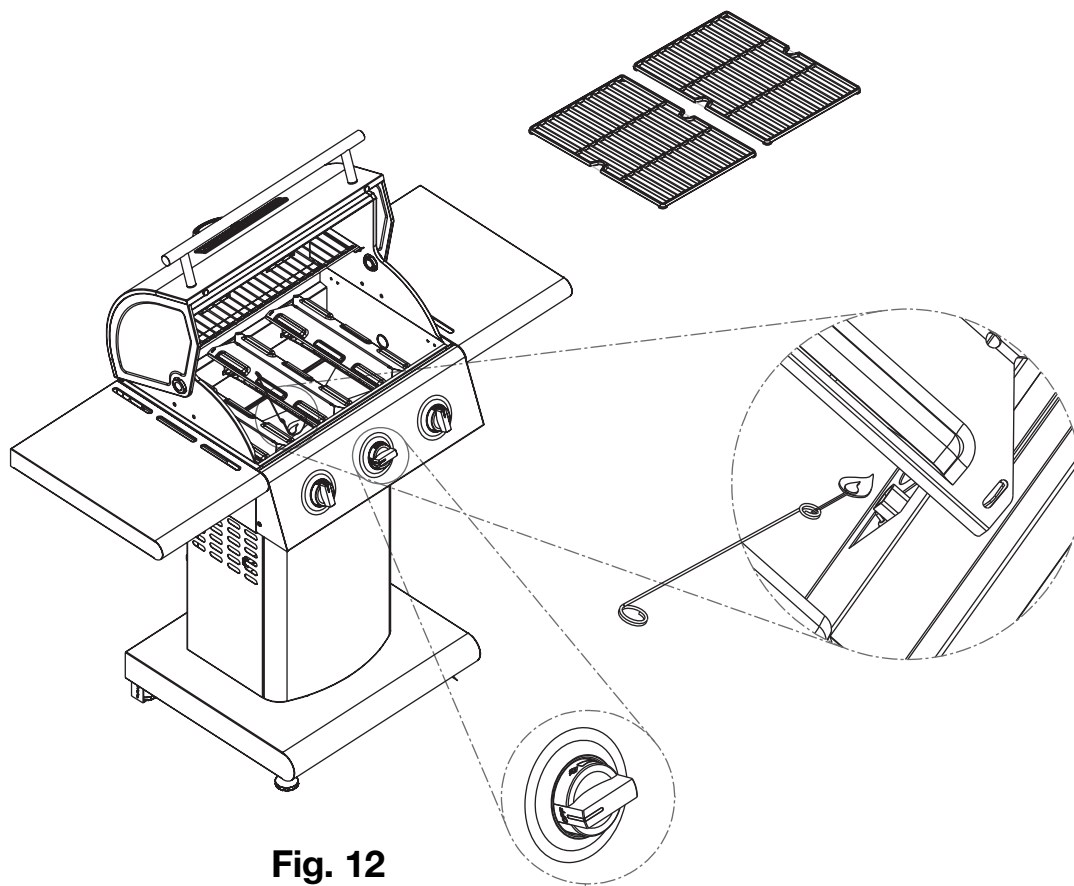


Fig. 12

DESPUÉS DEL MONTAJE

INSTRUCCIONES DE OPERACIÓN

PRECAUCIÓN

- Limpie la parrilla a menudo. Si la parrilla no se limpia con frecuencia, puede provocarse un incendio de grasa que podría dañar la parrilla. Para obtener instrucciones, ver “Limpieza” en la sección “Cuidado y Mantenimiento”.
- NUNCA deje la parrilla sin atención mientras la utiliza.
- No utilice agua para apagar un incendio de grasa porque puede provocar lesiones corporales. Si se inicia un incendio de grasa, gire las perillas a “OFF” (apagado) y apague el tanque de LP.
- Los incendios de grasa no pueden apagarse cerrando la tapa. Si se inicia un incendio de grasa, gire las perillas a “OFF” (apagado) y apague el tanque de LP INMEDIATAMENTE.

ADVERTENCIA

Para su seguridad:

- Mantenga el área de la parrilla limpia y libre de material inflamable.
- NUNCA permita que los niños utilicen la parrilla o jueguen cerca de la misma.
- Esta parrilla debe ser utilizada SÓLO AL AIRE LIBRE. NUNCA la utilice en un área cerrada, como una cochera abierta, porche, patio cubierto, garaje, o debajo de una superficie que pueda prenderse fuego.
- No bloquee los orificios de ventilación ubicados en los costados del carrito de la parrilla, porque puede afectar la combustión del quemador debido a una presencia insuficiente de aire.
- Utilice la parrilla a por lo menos 36" (91 cm) de cualquier pared o superficie y a 120" (305 cm) de objetos que pueden provocar chispas y encender el gas (por ej., aparatos eléctricos o luces piloto de calentadores).
- No utilice esta parrilla sobre o debajo de balcones de madera.
- Esta parrilla está diseñada para usar sólo con gas LP. NO USE piedras de lava, briquetas o carbón en la parrilla.
- NUNCA encienda el quemador con la tapa cerrada. El gas sin encender acumulado dentro de la parrilla cerrada puede provocar explosiones.
- Verifique las llamas del quemador regularmente.
- Corte el suministro de gas cuando la parrilla no esté en uso.
- Siempre apague el tanque de LP por completo y desconecte de la parrilla antes de moverlo.

DESPUÉS DEL MONTAJE

INSTRUCCIONES DE OPERACIÓN

USO GENERAL DE LA PARRILLA:

Los quemadores de la parrilla abarcan toda el área de cocción y tienen las bocas en los costados para minimizar el bloqueo de grasa y desechos que caen. Sobre los quemadores se incluyen difusores de calor revestidos de porcelana. Las perillas del encendedor se encuentran en el panel de la válvula. Siga las instrucciones de encendido impresas en el panel de control o en este manual.

CÓMO USAR LA PARRILLA:

La cocción a parrilla requiere fuego alto para un dorado adecuado. La mayor parte de los alimentos se cocinan en la configuración de calor alta (HI) durante todo el tiempo de cocción. Sin embargo, si se asan pedazos grandes de carne de res o de ave, puede ser necesario reducir el calor a una configuración más baja después del dorado inicial. Esto cocina los alimentos por completo sin quemar la parte exterior. Los alimentos que se cocinan por un período prolongado o que se marinan con una mezcla azucarada pueden necesitar una configuración de calor más baja cerca de la finalización del tiempo de cocción.

1. Verifique que se haya efectuado la prueba de pérdidas de gas en la parrilla y que ésta se encuentre correctamente ubicada.
2. Quite cualquier material de empaque.
3. Encienda los quemadores de la parrilla utilizando las instrucciones de este manual.
4. Gire la perilla de control a la configuración más alta posible y precaliente la parrilla a la temperatura deseada.
5. La tapa de la parrilla debe cerrarse durante el período de precalentamiento.
6. Coloque los alimentos en la parrilla y cocine hasta el punto de cocción deseado. Ajuste la configuración de calor, si fuera necesario. La perilla de control puede girarse a cualquier posición entre las configuraciones más bajas y más altas posibles.
7. La parrilla se encuentra diseñada para asar eficientemente sin el uso de piedras de lava o briquetas de cualquier clase. El calor es irradiado por los difusores de calor revestidos de porcelana ubicados debajo de las rejillas de cocción de hierro fundido.
8. La parrilla caliente sella los alimentos, conservando todos los jugos. Cuando más dure el precalentamiento, más rápido se dorará la carne.

DESPUÉS DEL MONTAJE

CONSEJOS DE SEGURIDAD

CONSEJOS DE SEGURIDAD:

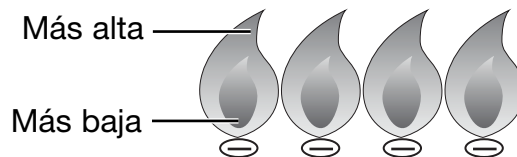
1. Siempre descarte la presencia de pérdidas después de cambiar los tanques de LP.
2. Siempre controle la presencia de pérdidas antes de cada uso.
3. Utilice herramientas para asado largas a fin de evitar quemaduras.
4. Controle todos los accesorios de suministro de gas en busca de pérdidas antes de cada uso. Resulta conveniente contar con una botella pulverizadora con agua jabonosa cerca de la válvula de cierre de la línea de suministro de gas. Pulverice el líquido sobre todos los accesorios. La presencia de burbujas indica pérdidas.
5. Los tanques de LP desconectados deben contar con la instalación de tapones de válvula roscados ajustados firmemente y no deben almacenarse en un edificio, garaje o cualquier otra clase de área cerrada.
6. Apague todas las perillas de control y la válvula del tanque de LP cuando no utilice la parrilla.
7. Si el artefacto se almacena en el interior, el tanque de LP debe desconectarse y quitarse de la parrilla.
8. Los tanques de LP deben almacenarse al aire libre en un área bien ventilada. Los tanques de LP desconectados que se están almacenando o transportando deben contar con una tapa de seguridad.
9. Nunca deje un tanque de LP dentro de un vehículo recreativo o barco que pueda sobre calentarse por el sol.
10. No almacene tanques de LP en un área donde juegan niños o cercana a ella.
11. Por cualquier otro problema, ver “Resolviendo Problemas” o comuníquese con Asuntos del Consumidor.

DESPUÉS DEL MONTAJE

CUIDADO Y MANTENIMIENTO

MANTENIMIENTO:

1. Mantenga el área de la parrilla limpia y libre de materiales combustibles, gasolina y otros vapores y líquidos inflamables.
2. Mantenga los orificios ubicados en los costados del carrito libres de desechos, asegurando que el flujo de aire de combustión y ventilación se encuentre libre de obstrucciones.
3. Controle visualmente las llamas de los quemadores de la siguiente manera:
 - Quite las rejillas de cocción y los difusores de calor.
 - Encienda los quemadores.
 - Gire las perillas de la configuración más alta a la más baja y controle el estado de las llamas. La llama en la posición más baja debe ser más pequeña que en la posición más alta, como se indica en la figura de abajo.
 - Siempre verifique la llama antes de cada uso. Ver “Resolviendo Problemas” si se detecta un estado anormal.



4. Visite nuestro sitio Web, www.hamiltonbeach.com, o llame a Asuntos del Consumidor al 1-800-851-8900 para solicitar piezas de repuesto.

DESPUÉS DEL MONTAJE

CUIDADO Y MANTENIMIENTO

LIMPIEZA

LIMPIEZA DEL ÁREA DE COCCIÓN

La manera más sencilla de limpiar la parrilla es limpiarla inmediatamente después de apagar la llama cuando haya finalizado la cocción. Utilice guantes de cocina para proteger sus manos del calor y vapor. Sumerja un cepillo de cerdas de bronce para parrillas en agua corriente y frote la rejilla caliente. Sumerja el cepillo frecuentemente en el agua. El vapor, que se genera cuando el agua hace contacto con la parrilla caliente, ayuda en el proceso de limpieza ablandando las partículas de comida. Las partículas de alimento caerán y se quemarán. Nunca sumerja una pieza caliente en agua.

LIMPIEZA DE LOS QUEMADORES DE LA PARRILLA

- Asegúrese de que la válvula del tanque y las perillas de control se encuentren en la posición OFF (apagado). Verifique que la parrilla esté fría.
- Limpie la parte exterior de los quemadores con un cepillo de alambre. Limpie la limpieza más rebelde con un raspador de metal. Limpie las bocas obstruidas con un gancho para papel estirado. Nunca use un escarbadientes de madera porque puede quebrarse y tapar la boca.
- Tenga a bien saber que si hay insectos u otras obstrucciones bloqueando el flujo de gas a través del quemador, usted deberá llamar a Asuntos de Consumidor.

MUY IMPORTANTE: El orificio de la válvula debe colocarse en el centro de la sección del quemador después de la remoción y limpieza. De otro modo, puede provocar graves lesiones corporales y daños a la propiedad. Balancee el quemador ligeramente después de volver a colocarlo para verificar que se haya instalado correctamente.

LIMPIEZA DE LA BANDEJA PARA GRASA

La bandeja para grasa debe vaciarse, limpiarse en forma periódica y lavarse en una solución de agua tibia y detergente suave. Puede colocarse una pequeña cantidad de arena en el fondo de la bandeja para grasa para que la absorba.

ADVERTENCIA SOBRE ARAÑAS E INSECTOS

Después del almacenamiento, arañas e insectos pueden hacer nidos en los quemadores. Estos nidos pueden provocar incendios dentro de las tuberías o debajo de la parrilla. Esta es una condición muy peligrosa. Siempre limpie los quemadores antes de cada uso.

CUANDO SE DEBEN BUSCAR ARAÑAS

Usted debe inspeccionar los quemadores por lo menos una vez al año o inmediatamente después de la aparición de una de las siguientes situaciones:

1. Llama amarilla con olor a quemado.
2. No se eleva la temperatura.
3. La parrilla caliente en forma despereja.
4. Los quemadores hacen ruidos de crujidos.

DESPUÉS DEL MONTAJE

RESOLVIENDO PROBLEMAS

ANTES DE LLAMAR AL SERVICIO TÉCNICO:

Controle los siguientes problemas/soluciones antes de contactar nuestro centro de servicio técnico.

PROBLEMA	POSIBLE CAUSA	SOLUCIÓN
El quemador no se enciende después de girar y presionar las perillas	El tanque de propano está vacío.	Rellene o cambie el tanque de propano.
	El encendedor tiene residuos de cocción.	Utilice un hisopo limpio y alcohol para limpiar.
	El encendedor está dañado.	Cámbielo.
	Los cables del encendedor están flojos o se han caído.	Vuelva a conectar o reemplace con un nuevo montaje de encendedor con cables.
	El orificio está bloqueado.	Controle que el orificio esté libre de bloqueos.
	El cable ha sufrido un cortocircuito.	Reemplace con un nuevo montaje de encendedor con cables.
El quemador no puede encenderse con una cerilla	No hay gas	Abra la válvula del tanque de LP o cambie la válvula del tanque de LP.
	El flujo de gas no es parejo.	Limpie la tubería de los quemadores.
	Montaje incorrecto entre el quemador y la válvula	Vuelva a ensamblar.
Llamas amarillas o naranjas con olor a gas	Combustión incompleta	Llame a Asuntos del Consumidor al 1-800-851-8900.
Calor bajo con la perilla en la posición alta (HI)	Manguera de gas torcida o enredada.	Estire la manguera.
	Quemador u orificio bloqueado.	Limpie el bloqueo.
	Presión baja de gas	Llame al proveedor de gas.
	La parrilla no se precalentó	Precaliente la parrilla por 15 minutos.

DESPUÉS DEL MONTAJE

RESOLVIENDO PROBLEMAS

PROBLEMA	POSIBLE CAUSA	SOLUCIÓN
Llamaradas	Excesiva grasa en la carne	Corte y elimine la grasa antes de colocar la comida en la parrilla.
	Temperatura demasiado elevada	Ajuste.
	Depósito de grasa	Limpie.
Extinción de las llamas	Viento intenso	Encuentre un lugar menos ventoso.
Las llamas se elevan	Presión del gas muy elevada	Llame al proveedor de gas.
Retroceso de la llama	Boca del quemador bloqueada.	Limpie la boca del quemador.
Incendio por grasa	Acumulación de grasa en los alimentos.	Apague todas las perillas y la válvula del tanque de LP. Deje la tapa abierta y deje que el fuego se consuma. Limpie la parrilla después de que se haya enfriado.

DESPUÉS DEL MONTAJE

SEGURIDAD DE LOS ALIMENTOS

1. Siempre siga los siguientes consejos para disfrutar de un asado al aire libre seguro y saludable.
2. Siempre utilice agua caliente jabonosa para lavarse las manos, las superficies y utensilios después de procesar carne cruda.
3. Siempre separe la carne cruda de los alimentos cocidos para evitar la contaminación cruzada.
4. Siempre utilice utensilios limpios para manipular alimentos.
5. Siempre cocine la carne por completo para eliminar los gérmenes. Utilice un termómetro para inspeccionar la temperatura interna de la carne, si fuera necesario.
6. Coloque los alimentos cocidos y los restos rápidamente dentro del refrigerador cuando haya finalizado de comer.

ALMACENAMIENTO DE LA PARRILLA

1. Limpie la parrilla. Apague el suministro de gas desde el tanque.
2. Almacene la parrilla en un área al aire libre seca y bien ventilada. Mantenga fuera del alcance de los niños cuando el tanque de LP se encuentra conectado a la parrilla.
3. Almacene la parrilla en el interior SÓLO después de haber desconectado y quitado el tanque de LP. El tanque de LP debe almacenarse en el exterior fuera del alcance de los niños. NUNCA almacene el tanque en un edificio, garaje o en otra área cerrada.

NOTAS

GARANTÍA LIMITADA

Esta garantía aplica a productos comprados en EE.UU. y Canadá. Esta es la única garantía expresa para este producto y está en lugar de cualquier otra garantía o condición.

Se garantiza que este producto se encuentra libre de defectos de los materiales o de la mano de obra por un período de cinco (5) años para los quemadores y un (1) año para todas las demás partes desde la fecha de compra original. Durante este período, su único recurso es la reparación o el reemplazo de la pieza defectuosa, según nuestro criterio; sin embargo, usted será responsable de todos los costos asociados con el procesamiento de un reclamo de garantía hecho más de treinta (30) días después de la fecha de compra, incluyendo el envío y el manipulación, por devolvemos una pieza y porque nosotros debemos devolverle una pieza a usted bajo las condiciones de esta garantía. El período de garantía original no se extiende o renueva mediante la reparación o reemplazo de ninguna parte.

Esta garantía no cubre el encendedor baterías, desgaste por uso normal (tales como la pérdida de pintura, decoloración o corrosión del producto o sus partes), un uso que no sea de acuerdo con las direcciones impresas, o daño al producto resultante de un accidente, alteración, abuso o un mal uso. Esta garantía se extiende sólo al comprador original. Conserve el recibo de venta original, ya que se requiere una prueba de compra para poder efectuar un reclamo de garantía. Esta garantía pierde su validez si el producto se utiliza para un objetivo diferente del uso de una vivienda unifamiliar, como fines comerciales o de alquiler.

Excluiremos todas las reclamaciones por daños especiales, incidentales o consecuentes causados por una ruptura de la garantía expresa o implícita. Toda responsabilidad se limita a la cantidad del precio de compra. Cada garantía implícita, incluyendo cualquier garantía estatutaria o condición de mercantilidad o ajuste para un propósito en particular, es renunciada excepto hasta la extensión prohibida por la ley, en cuyo caso tal garantía o condición se limita a la duración de esta garantía por escrito. Esta garantía le da derechos legales específicos. Puede usted tener otros derechos legales que varían dependiendo de donde vive. Algunos estados o provincias no permiten limitaciones en garantías implícitas o daños especiales, incidentales o consecuentes, así que las limitaciones anteriores pueden no aplicar a usted.

Para efectuar un reclamo de garantía, no devuelva esta parrilla a la tienda. Llame al 1.800.851.8900 en los EE.UU. o al 1.800.267.2826 en Canadá o visite hamiltonbeach.com en los EE.UU. o hamiltonbeach.ca en Canadá. Para una atención más rápida, ubique los números de modelo, tipo y serie en su parrilla.

Free Manuals Download Website

<http://myh66.com>

<http://usermanuals.us>

<http://www.somanuals.com>

<http://www.4manuals.cc>

<http://www.manual-lib.com>

<http://www.404manual.com>

<http://www.luxmanual.com>

<http://aubethermostatmanual.com>

Golf course search by state

<http://golfingnear.com>

Email search by domain

<http://emailbydomain.com>

Auto manuals search

<http://auto.somanuals.com>

TV manuals search

<http://tv.somanuals.com>