

**READ BEFORE USE**  
**LIRE AVANT UTILISATION**  
**LEA ANTES DE USAR**

Visit [www.hamiltonbeach.com](http://www.hamiltonbeach.com) for our complete line of products and Use and Care Guides – as well as delicious recipes, tips, and to register your product online!

Rendez-vous sur [www.hamiltonbeach.ca](http://www.hamiltonbeach.ca) pour notre liste complète de produits et de nos manuels utilisateur – ainsi que nos délicieuses recettes, nos conseils et pour enregistrer votre produit en ligne !

¡Visite [www.hamiltonbeach.com.mx](http://www.hamiltonbeach.com.mx) para obtener nuestra línea completa de productos y las Guías de Uso y Cuidado, además de deliciosas recetas, consejos y para registrar su producto en línea!

**Questions?**  
Please call us – our friendly associates are ready to help.  
USA: 1.800.851.8900

**Questions ?**  
N'hésitez pas à nous appeler – nos associés s'empresseront de vous aider.  
CAN : 1.800.267.2826

**¿Preguntas?**  
Por favor llámenos – nuestros amables representantes están listos para ayudar.  
MEX: 01 800 71 16 100  
Le invitamos a leer cuidadosamente este instructivo antes de usar su aparato.



**Hamilton  
Beach®**

*Breakfast Master  
With Removable Waffle  
Grids and Skillet*

*Maître-déjeuner avec grilles  
pour gaufre et plaques  
de cuisson amovibles*

*Breakfast Master con Parrillas  
para Waffles y Sartén  
Desmontables*

English ..... 2  
Français ..... 15  
Español ..... 29

## IMPORTANT SAFEGUARDS

When using electrical appliances, basic safety precautions should always be followed, including the following:

1. Read all instructions.
2. Do not touch hot surfaces. Use handles or knobs.
3. To protect against risk of electrical shock, do not immerse cord, plug, or any part of the appliance in water or other liquid.
4. Close supervision is necessary when any appliance is used by or near children.
5. Unplug from outlet when not in use and before cleaning. Allow to cool before putting on or taking off parts and before cleaning.
6. Do not operate any appliance with a damaged cord or plug, or after the appliance malfunctions or has been dropped or damaged in any manner. Call our toll-free customer service number for information on examination, repair, or adjustment.
7. The use of accessory attachments not recommended by the appliance manufacturer may cause injuries.
8. Do not use outdoors.
9. Do not let cord hang over edge of table or counter or touch hot surfaces, including the stove.
10. Do not place on or near a hot gas or electric burner, or in a heated oven.
11. Extreme caution must be used when moving an appliance containing hot oil or other hot liquids.
12. Do not use appliance for other than intended use.
13. Do not use appliance unattended.
14. During use, provide 4 to 6 inches air space above, behind, and on both sides for air circulation.
15. Never remove the food with any kind of cutting device or other metallic kitchen utensil.
16. Always allow the appliance to cool before putting it away, and never wrap the cord around the appliance while it is still hot.
17. This appliance is not intended for deep-frying foods.

## SAVE THESE INSTRUCTIONS!

### Other Consumer Safety Information

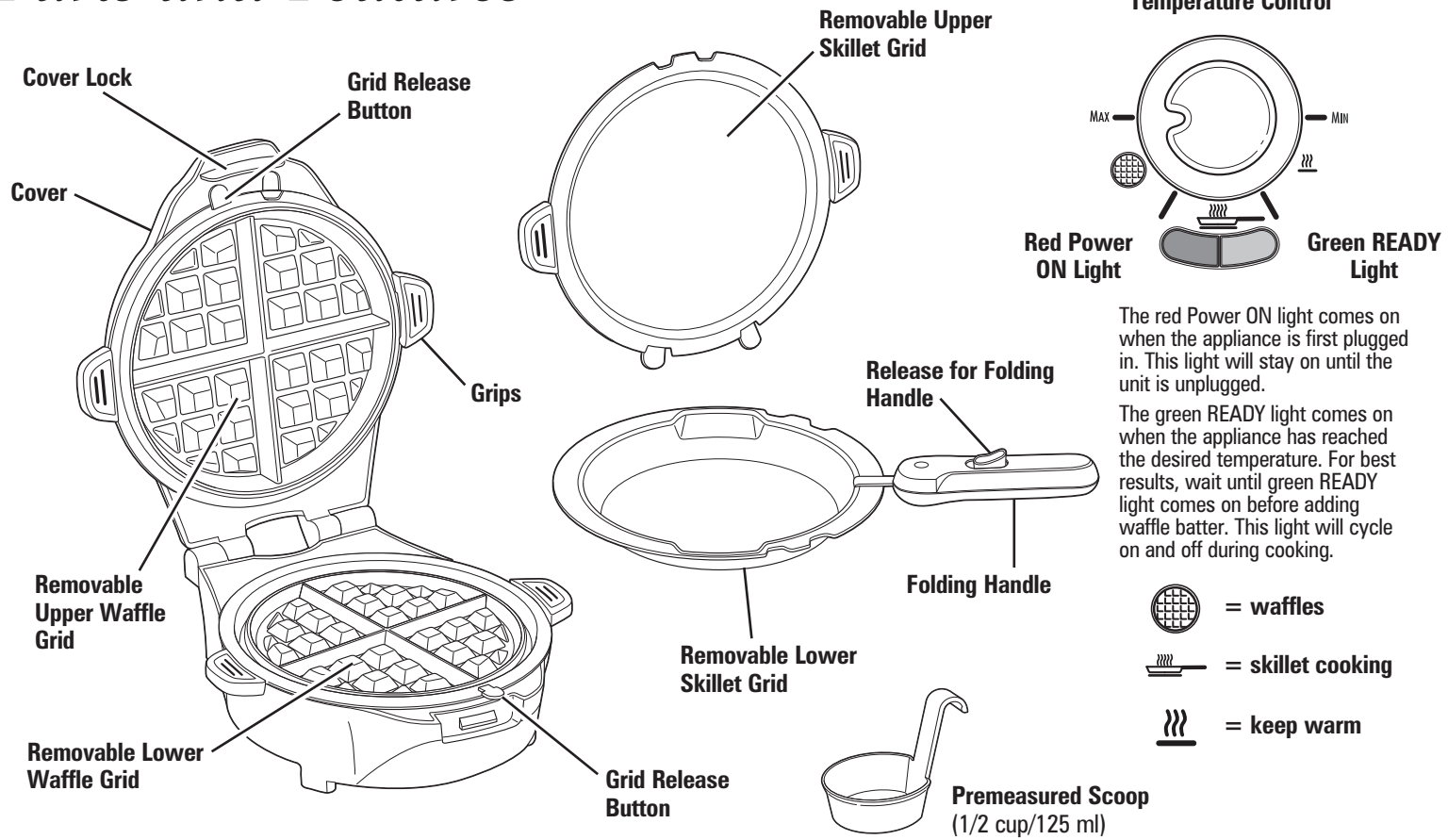
**This product is intended for household use only.**

**WARNING!** Shock Hazard: This appliance has a polarized plug (one wide blade) that reduces the risk of electric shock. The plug fits only one way into a polarized outlet. Do not defeat the safety purpose of the plug by modifying the plug in any way or by using an adapter. If the plug does not fit fully into the outlet, reverse the plug. If it still does not fit, have an electrician replace the outlet.

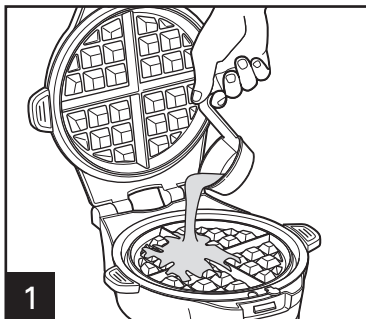
The length of the cord used on this appliance was selected to reduce the hazards of becoming tangled in or tripping over a longer cord. If a longer cord is necessary, an approved extension cord may be used. The electrical rating of the extension cord must be equal to or greater than the rating of the appliance. Care must be taken to arrange the extension cord so that it will not drape over the counter-top or tabletop where it can be pulled on by children or accidentally tripped over.

To avoid an electrical circuit overload, do not use another high-wattage appliance on the same circuit with this appliance.

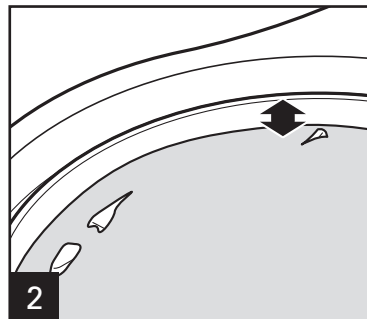
# Parts and Features



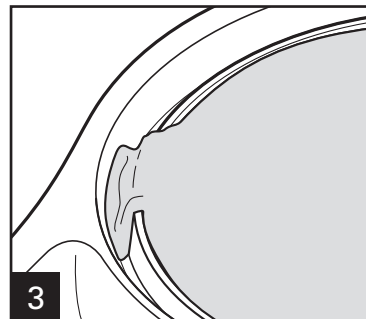
## 3-Way Mess-Free Waffle Features



**1** Use two premeasured scoops for the perfect amount of batter.



**2** Deep grids leave room for waffles to rise while baking.

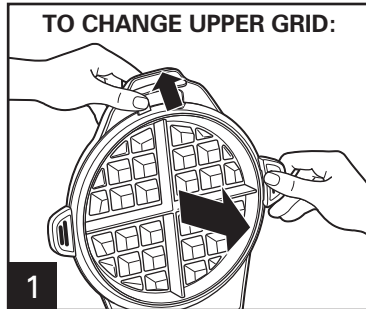


**3** Extra-deep overflow channel gives excess batter a place to go.

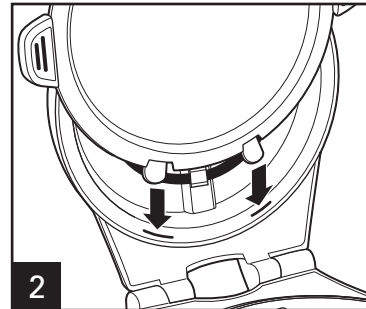
4

# How to Change Grids

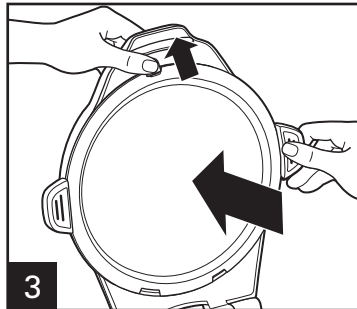
**⚠ WARNING** Burn Hazard. Do not change hot grids.



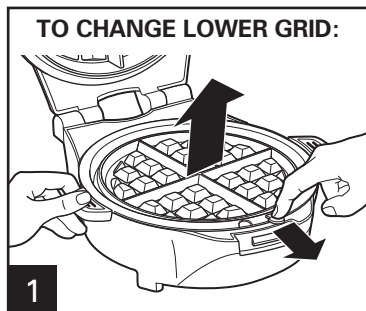
**1** Open lid. Remove installed grid by pressing the release button in the direction of the small arrow, pulling out grid.



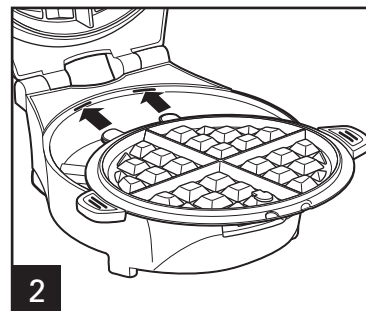
**2** Hold both sides of other grid using grips. Insert two tabs into the openings in the bottom cover.



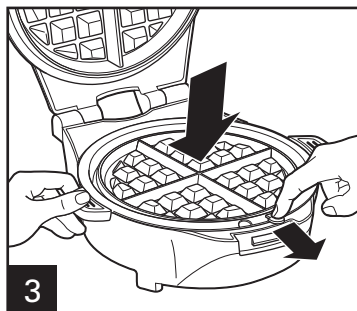
**3** Push grid release button in the direction of the small arrow, press grid into place, and release button to secure grid in place.



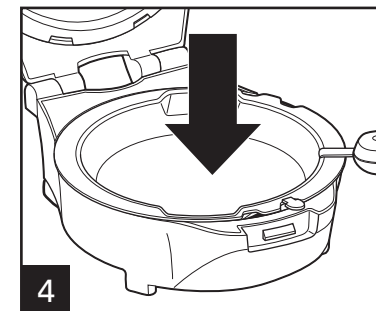
**1** Remove installed grid by pressing the release button in the direction of the small arrow, holding grip, and pulling grid up and out.



**2** To reinstall grid, grip lower waffle grips and insert two tabs into the openings on the base.



**3** Push grid release button in the direction of the small arrow, press grid into place, and release button to secure grid in place.

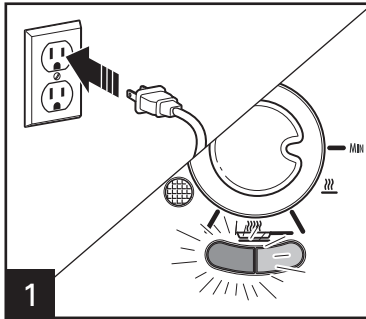


**4** Lower skillet grid does not lock into place. Simply place skillet on base, turn handle to align notched area with release button, and skillet will be in place.

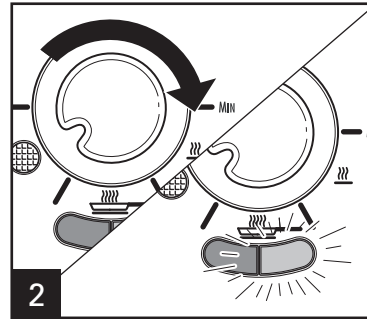
**5**

# How to Use Waffle Grids

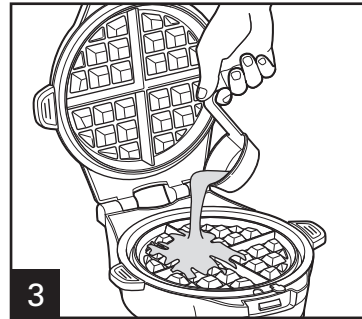
**BEFORE FIRST USE:** Wash grids in dishwasher or in hot, soapy water. Rinse and dry. Wipe or brush waffle grids with vegetable oil. This is only recommended before first use, but may be necessary afterwards.



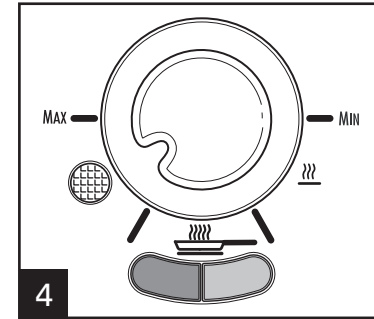
**1** Plug cord into wall outlet. The red Power ON light will glow.  
**TIP:** A small amount of nonstick cooking spray can be used on the grids before preheating.



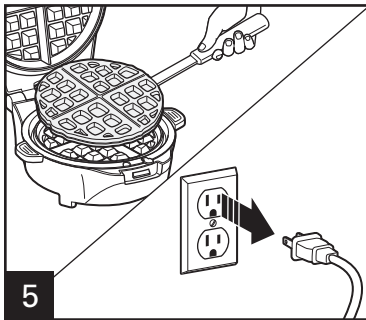
**2** Choose desired waffle temperature setting and preheat with cover closed until the green READY light comes on.  
**TIP:** Waffle color and crispness are determined by the temperature of the grids. The higher the temperature, the browner and crisper the waffle.



**3** Raise cover and pour two FULL premeasured scoops of batter onto center of bottom cooking grid. Lower cover.  
**TIP:** When adding nuts, fruits, or chocolate chips to your waffle, reduce the waffle batter by 2 Tablespoons (30 ml).



**4** Waffles are done in about 6 to 8 minutes, depending on the setting, recipe, when the green READY light turns back on, or when steaming begins to stop. Do not preheat or operate unit unless grids are in place.



**5** Using an oven mitt, open cover. Remove waffle with plastic or wooden utensil. Never use metal. This will damage the nonstick coating of the appliance. Turn control to "MIN." Unplug unit when through cooking. Let cool.

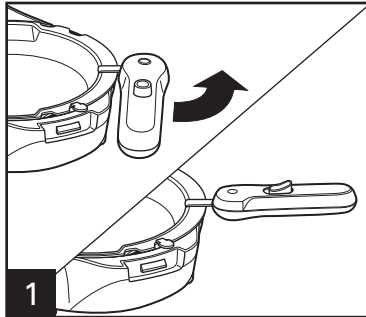
**WARNING!** Burn Hazard. Always use an oven mitt to protect hand when opening a hot waffle maker. Escaping steam can burn.

**6**

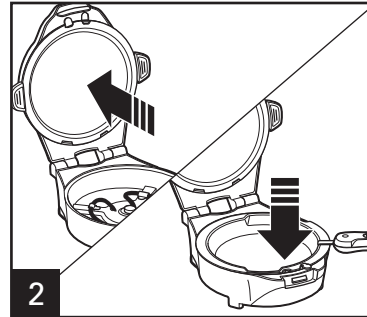
# How to Use Nonstick Skillet

## **⚠ WARNING** Burn Hazard.

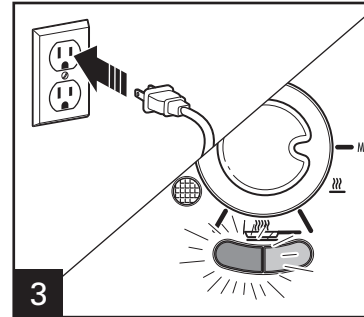
Do not carry or move the skillet when it contains hot oil or food. To reduce the risk of burns due to oil spatter, do not put a large amount of oil in a skillet. When frying, pour oil in skillet and then preheat unit.



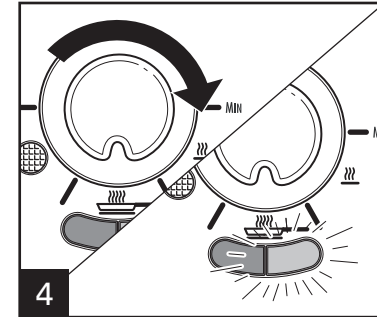
**1** Before using skillet, move handle to the left or right until it clicks into place and the handle is straight.



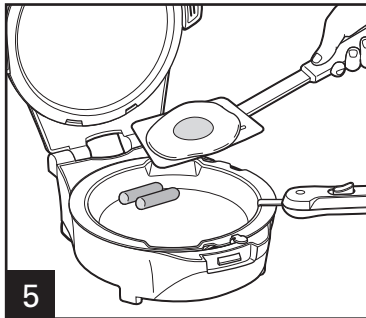
**2** Lower skillet does not lock into place. **NOTE:** Do not operate unit unless skillet is securely in place. Only preheat and operate with skillets in place.



**3** Plug cord into wall outlet. The red Power ON light will glow. **TIP:** A small amount of nonstick cooking spray can be used on the bottom skillet before preheating.



**4** Choose desired skillet temperature setting and preheat 5 to 7 minutes. **TIP:** Drain grease from skillet when cooking bacon, sausage, or other meats for even cooking.

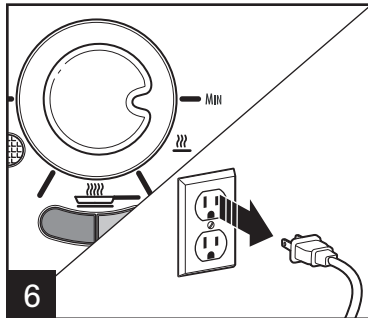


**5** Add food and close cover. Lift cover to check for doneness and turn foods over when necessary. Only use wooden or plastic cooking utensils to prolong the life of the nonstick coating.

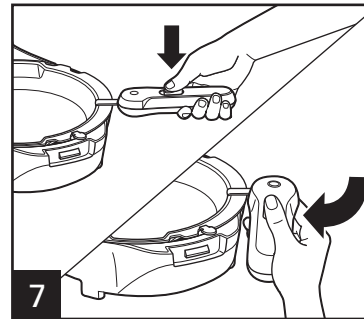
### **TIPS:**

- For best results and faster cooking, keep lid closed.
- Lower skillet has two easy-pour areas for draining.

## How to Use Nonstick Skillet (cont.)



Turn control to "MIN." Unplug unit when through cooking. Let cool.



Hold lower skillet in your left hand and hold the handle in your right hand. Using your thumb, move button back towards the end of the handle. Turn handle to the left or right to fold.

## Cooking Chart

The skillet is recommended to cook any foods that produce grease.

\*Cooking times are based on fresh, never frozen, ingredients.

Visit [www.foodsafety.gov](http://www.foodsafety.gov) for more information on safe internal cooking temperatures.

FOOD	TEMPERATURE SETTING	INTERNAL TEMP.	APPROXIMATE COOKING TIME*
Fried Egg		160°F (72°C)	2 to 3 minutes (no turning)
French Toast		-----	2 to 4 minutes
Pancakes		-----	2 to 4 minutes
Bacon		Crisp	4 to 6 minutes
Sausage Links and Patties (1/2" [1.3 cm] thick)		160°F (72°C)	6 to 8 minutes

8



## Usage Tips

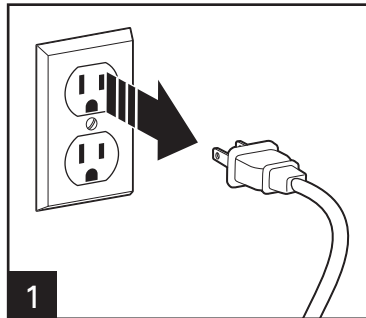
- To make your family a quick, hot breakfast, use any of the waffle mixes currently available on the market.
- Use a cooking spray before pouring batter into the grids, especially for dessert waffles or recipes with a lot of sugar.
- If your waffles start to stick, the grids may need to be scrubbed with a nylon brush to remove any cooked-on food particles.
- If using nuts in waffle batter, use chopped nuts and/or evenly spread batter to allow lid to fully close.
- Waffles can be made ahead of time and kept warm in a 200°F (93°C) oven.
- Reheat in a microwave oven, a toaster oven, or a regular oven.
- Most waffles are done in about 6–8 minutes, depending on the setting selected. Some of the recipes which are made from scratch may take a little longer. Check for doneness at about 5 minutes. If the cover of the waffle maker doesn't lift up easily, then let the waffle cook a minute more before checking again. Another indicator that the waffle is done is when the green READY light comes on or when the steaming slows or stops.
- To store, let waffles cool and pack in an airtight container; store in refrigerator or freezer for reheating later.

### **IF YOU LIVE IN A HIGH-ALTITUDE AREA:**

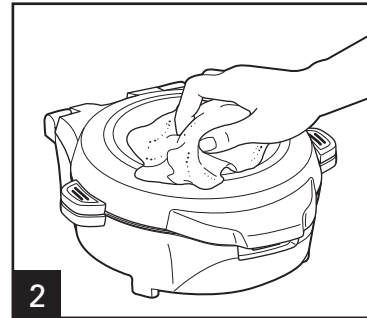
The Extension service will have detailed information about cooking for your area. To locate the Cooperative Extension service in your county, please visit: <http://www.csrees.usda.gov/Extension/>.

# Care and Cleaning

**⚠ WARNING Electrical Shock Hazard.**  
Disconnect power before cleaning. Do not immerse cord, plug, or base in any liquid.



**1** Turn control to "MIN." Unplug unit when through cooking. Let cool.

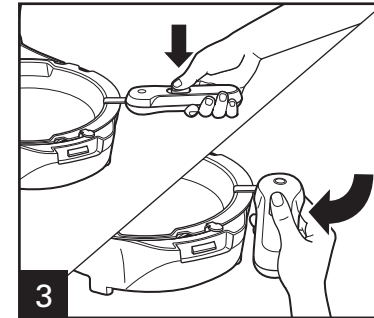


**2** Wipe outside of unit with a damp, soapy cloth. Do not use steel wool, scouring pads, or abrasive cleansers on any part of the unit. Never use sharp or pointed objects for cleaning.



**DISHWASHER-SAFE**

DO NOT use the "SANI" setting when washing in the dishwasher. "SANI" cycle temperatures could damage your product. The back sides of waffle and skillet grids may discolor. This is normal.



**3** After cleaning, skillet handle can be folded for ease of storage. Hold lower skillet in one hand and handle in other. Using thumb, slide button back and turn handle to either side for storage position.

# Troubleshooting

PROBLEM	PROBABLE CAUSE
Low, poor, or slow heating.	<ul style="list-style-type: none"> <li>• Allow waffle maker/skillet to heat for 5 to 7 minutes before use.</li> </ul>
Cooking too slow.	<ul style="list-style-type: none"> <li>• Ensure grids are fully installed.</li> </ul>
Waffles are too light.	<ul style="list-style-type: none"> <li>• Adjust temperature towards MAX (darker setting).</li> </ul>

# Suggested Toppings and Spreads for Waffles

Maple Syrup  
Chocolate Syrup  
Powdered Sugar  
Honey  
Jams and Jellies

Cinnamon Sugar  
Maple Butter  
Apple Butter  
Whipped Cream  
Applesauce

Brown Sugar  
Chocolate Sprinkles  
Cake Frosting  
Peanut Butter

Suggested ideas to stir into batter before cooking: small pieces of fresh fruit, dried fruit, chocolate chips, chocolate covered raisins, or nuts.

**TIP:** Certain fresh fruits like blueberries will turn batter blue. Do not stir into batter; sprinkle over batter before cooking.

## Recipes

### Basic Waffles

2 cups (500 ml) flour	1 teaspoon (5 ml) salt
2 Tablespoons (30 ml) sugar	1 3/4 cups (430 ml) milk
1 Tablespoon (15 ml) baking powder	1/3 cup (80 ml) vegetable oil
	2 eggs

Combine flour, sugar, baking powder, and salt. Stir together milk, oil, and eggs. Gradually add milk mixture to the dry ingredients. Stir until just blended. Pour two premeasured scoops of batter into the middle of the waffle maker. **Serves: 6 (1/2 waffle each)**

**Blueberry Waffles:** After pouring batter onto waffle grids, sprinkle fresh blueberries over batter; then close lid. Do not stir berries into batter; this makes blue-gray waffles.

**To Make a Savory Waffle:** Add your favorite freshly chopped or dried savory spices to the batter. Follow *How to Use Waffle Grids*.

## *Recipes (cont.)*

### **Stuffed French Toast**

- 1 large egg
- 1 large egg white
- 1 Tablespoon (15 ml) strawberry preserves
- 1 Tablespoon (15 ml) cream cheese
- 1 Tablespoon (15 ml) chopped pecans
- 2 slices cinnamon bread

Preheat Breakfast Master skillet on medium heat. Beat egg and egg white in medium bowl; set aside. Mix cream cheese and pecans in small bowl; spread on one slice of bread. Spread strawberry preserves on remaining bread slice. Top bread with cream cheese mixture with remaining bread slice, strawberry-side down. Place bread in egg mixture for 2 minutes; turn and soak for an additional 2 minutes. Add bread to skillet; close cover. Cook 4 to 5 minutes or until cooked through. Serve with confectioners' sugar or maple syrup. **Serves: 1**

### **Western Omelet**

- 2 large eggs
- 1 Tablespoon (15 ml) milk
- 1 Tablespoon (15 ml) chopped onion
- 2 Tablespoons (30 ml) chopped mushrooms
- 2 Tablespoons (30 ml) chopped green pepper
- 2 Tablespoons (30 ml) chopped red pepper
- 1 slice ham, chopped
- Salt and pepper to taste

Preheat Breakfast Master with skillet grids on medium heat. Beat eggs, milk, salt, and pepper until well blended. Spray skillet with nonstick cooking spray. Place onions, mushrooms, green peppers, and red peppers in skillet. Close cover and cook 2 minutes. Pour egg mixture over onion mixture. Top with ham; close cover. Cook 3 minutes or until cooked through. Sprinkle with cheese; remove from skillet. Serve with salsa and sour cream, if desired. **Serves: 1**

## *Recipes (cont.)*

### **Sausage and Potato Omelet**

2 large eggs, beaten  
1 Tablespoon (15 ml) sour cream  
1/4 teaspoon (1.3 ml) Italian seasoning  
1/8 teaspoon (0.6 ml) salt  
1/8 teaspoon (0.6 ml) pepper  
1/4 cup (60 ml) bulk sausage  
1/4 cup (60 ml) diced hash browns  
2 Tablespoons (30 ml) chopped onion  
2 Tablespoons (30 ml) chopped pepper  
2 Tablespoons (30 ml) shredded cheddar cheese

Preheat Breakfast Master with skillet grids on medium heat. Beat eggs, sour cream, Italian seasoning, salt, and pepper. Spray skillet with nonstick cooking spray. Add sausage; close cover and cook 2 minutes. Drain fat if necessary. Add potatoes, onion, and pepper to sausage. Close cover and cook 2 minutes. Pour egg mixture over potato mixture. Close cover and cook 3 minutes. Sprinkle with cheese and remove from skillet. **Serves: 1**

### **Creamy Bacon and Tomato Omelet**

2 slices bacon, cut into 1/2-inch pieces  
2 large eggs, beaten  
1 Tablespoon (15 ml) snipped chives  
1/4 teaspoon (1.3 ml) dried basil leaves  
Salt and pepper to taste  
3 Tablespoons (45 ml) chopped tomatoes  
1 Tablespoon (15 ml) cream cheese, cut into pieces

Preheat Breakfast Master with skillet grids on medium heat. Place bacon in skillet; close cover. Cook 3 to 4 minutes or until crisp. Drain skillet and place bacon on paper towels. Mix eggs, basil, salt, and pepper. Pour egg mixture into skillet; close cover. Cook 3 minutes; add cream cheese, bacon, and tomato to half of omelet. Fold in half to cover mixture. Close cover; cook an additional 2 minutes or until cooked through. **Serves: 1**

## Limited Warranty

This warranty applies to products purchased and used in the U.S. and Canada. This is the only express warranty for this product and is in lieu of any other warranty or condition.

This product is warranted to be free from defects in material and workmanship for a period of one (1) year from the date of original purchase. During this period, your exclusive remedy is repair or replacement of this product or any component found to be defective, at our option; however, you are responsible for all costs associated with returning the product to us and our returning a product or component under this warranty to you. If the product or component is no longer available, we will replace with a similar one of equal or greater value.

This warranty does not cover glass, filters, wear from normal use, use not in conformity with the printed directions, or damage to the product resulting from accident, alteration, abuse, or misuse. This warranty extends only to the original consumer purchaser or gift recipient. Keep the original sales receipt, as proof of purchase is required to make a warranty claim. This warranty is void if the product is used for other than single-family household use or subjected to any voltage and waveform other than as specified on the rating label (e.g., 120V ~ 60 Hz).

We exclude all claims for special, incidental, and consequential damages caused by breach of express or implied warranty. All liability is limited to the amount of the purchase price. **Every implied warranty, including any statutory warranty or condition of merchantability or fitness for a particular purpose, is disclaimed except to the extent prohibited by law, in which case such warranty or condition is limited to the duration of this written warranty.** This warranty gives you specific legal rights. You may have other legal rights that vary depending on where you live. Some states or provinces do not allow limitations on implied warranties or special, incidental, or consequential damages, so the foregoing limitations may not apply to you.

To make a warranty claim, do not return this appliance to the store. Please call 1.800.851.8900 in the U.S. or 1.800.267.2826 in Canada or visit [hamiltonbeach.com](http://hamiltonbeach.com) in the U.S. or [hamiltonbeach.ca](http://hamiltonbeach.ca) in Canada. For faster service, locate the model, type, and series numbers on your appliance.

## PRÉCAUTIONS IMPORTANTES

Pendant l'utilisation d'appareils électriques, respecter les mesures de sécurité fondamentales y compris les suivantes :

1. Lire toutes les instructions.
2. Ne pas toucher aux surfaces chaudes. Utiliser les poignées ou les boutons.
3. Pour éviter les risques d'électrocution, ne pas immerger le cordon, la fiche ou l'appareil dans l'eau ou tout autre liquide.
4. L'utilisation de tout appareil par ou près des enfants exige une surveillance accrue.
5. Débrancher de la prise dès la fin de l'utilisation et avant le nettoyage. Laisser refroidir l'appareil avant d'installer ou de retirer des pièces et avant de le nettoyer.
6. Ne pas faire fonctionner aucun appareil dont le cordon ou la prise sont endommagés ou suite à une défectuosité, si l'appareil est tombé ou endommagé de quelque manière que ce soit. Appeler notre numéro sans frais de service à la clientèle pour des renseignements concernant l'examen, la réparation ou l'ajustement.
7. L'utilisation de tout accessoire auxiliaire contre-indiqué par le fabricant de l'appareil peut causer des blessures.
8. Ne pas utiliser à l'extérieur.
9. Ne pas laisser pendre le cordon de la table ou du comptoir et éviter que le cordon n'entre en contact avec des surfaces chaudes, y compris la cuisinière.
10. Ne pas placer sur ou près d'un brûleur à gaz ou électrique chaud ou dans un four chauffé.
11. Une très grande prudence doit être exercée lors du déplacement de tout appareil contenant des huiles ou des liquides chauds.
12. N'utiliser cet appareil que pour les fonctions auxquelles il est destiné.
13. Ne pas laisser l'appareil sans surveillance pendant le fonctionnement.
14. Pendant le fonctionnement, prévoir de 10 à 15 cm (4 à 6 po) d'espace tout autour de l'appareil.
15. Ne jamais retirer les aliments à l'aide d'ustensiles de cuisine métalliques ou tout autre dispositif de coupe.
16. Toujours permettre le refroidissement de l'appareil avant de le ranger et ne jamais enrouler le cordon autour de l'appareil pendant qu'il est chaud.
17. Cet appareil n'est pas conçu pour la grande friture des aliments.

## CONSERVER CES INSTRUCTIONS !

### Autres consignes de sécurité pour le consommateur

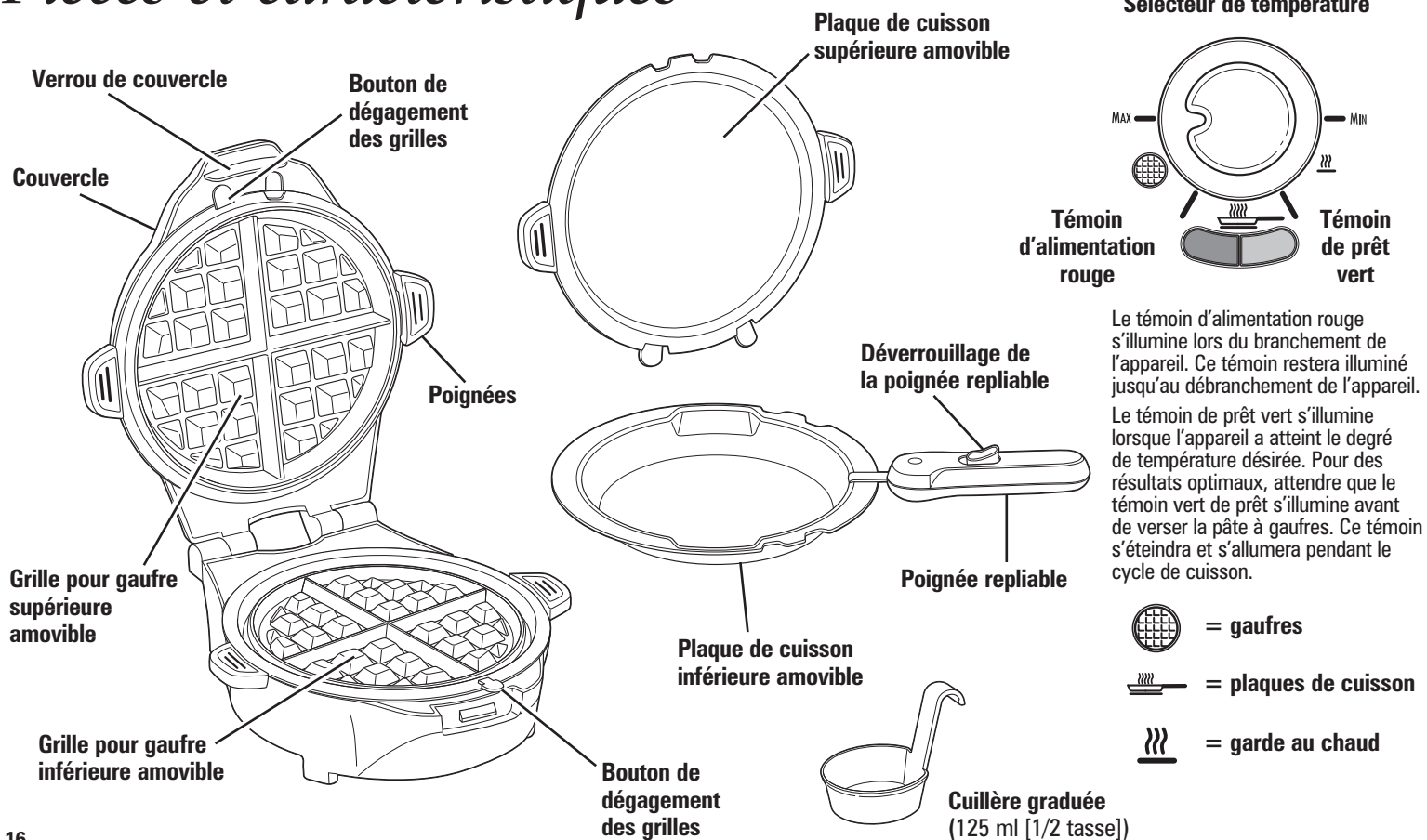
**Cet appareil est conçu pour une utilisation domestique seulement.**

**AVERTISSEMENT !** Risque d'électrocution : Cet appareil électroménager possède une fiche polarisée (une broche large) qui réduit le risque d'électrocution. Cette fiche n'entre que dans un seul sens dans une prise polarisée. Ne contrecarrez pas l'objectif sécuritaire de cette fiche en la modifiant de quelque manière que ce soit ou en utilisant un adaptateur. Si vous ne pouvez pas insérer complètement la fiche dans la prise, inversez la fiche. Si elle refuse toujours de s'insérer, faire remplacer la prise par un électricien.

La longueur du cordon installé sur cet appareil a été sélectionnée afin de réduire les risques d'enchevêtrement ou de faux pas causés par un fil trop long. L'utilisation d'une rallonge approuvée est permise si le cordon est trop court. Les caractéristiques électriques de la rallonge doivent être équivalentes ou supérieures aux caractéristiques de l'appareil. Prendre toutes les précautions nécessaires pour installer la rallonge de manière à ne pas la faire courir sur le comptoir ou sur une table pour éviter qu'un enfant ne tire sur le cordon ou trébuche accidentellement.

Pour éviter la surcharge du circuit électrique, ne pas utiliser un autre appareil à haute puissance sur le même circuit que cet appareil. **15**

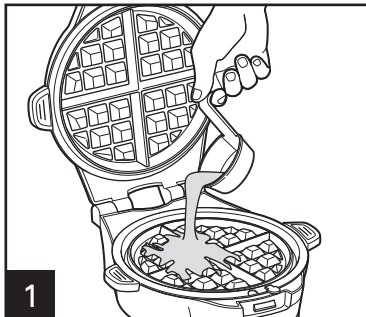
# Pièces et caractéristiques



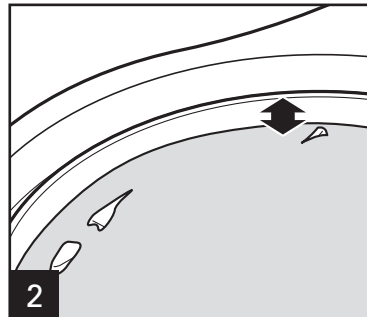
16



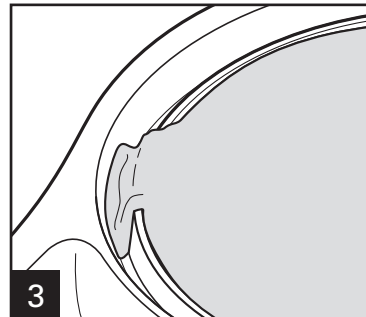
## Trois méthodes sans dégât



Utiliser deux cuillères graduée pour la quantité exacte de pâte.



Grilles de cuisson profondes pour permettre le gonflement des gaufres pendant la cuisson.



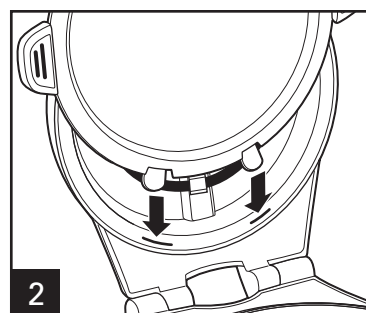
Le canal de trop-plein très profonds permet l'écoulement de l'excès de pâte vers des canaux de trop-plein très profonds.

# Comment changer les grilles de cuisson

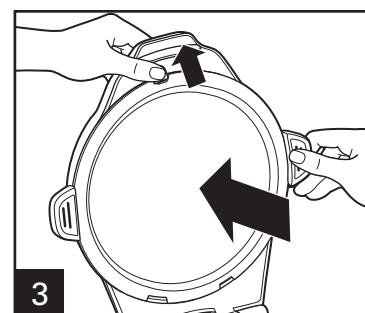
**⚠ AVERTISSEMENT** Risque de brûlure.  
Ne pas changer les grilles lorsqu'elles sont chaudes.



Ouvrir le couvercle. Retirer la grille installée en appuyant sur le bouton de dégagement et le pousser vers la petite flèche puis retirer la grille.



Tenir les deux côtés de la grille par les poignées. Insérer les deux languettes dans les orifices situés au bas du couvercle.

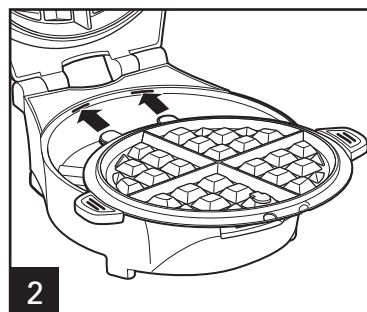


Appuyer sur le bouton de dégagement et le pousser vers la petite flèche, appuyer sur la grille pour la fixer en place et relâcher le bouton pour maintenir solidement la grille en place.

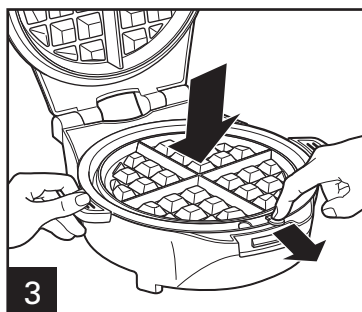
## Comment changer les grilles de cuisson (suite)



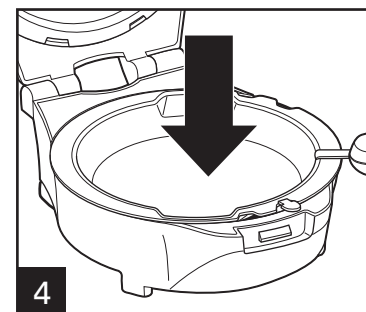
Retirer la grille installée en appuyant sur le bouton de dégagement et le pousser vers la petite flèche qui maintient la grille puis la soulever pour la sortir.



Pour installer la grille, tenir les poignées inférieures de la grille pour gaufre et insérer les deux languettes dans les orifices situés sur la base.



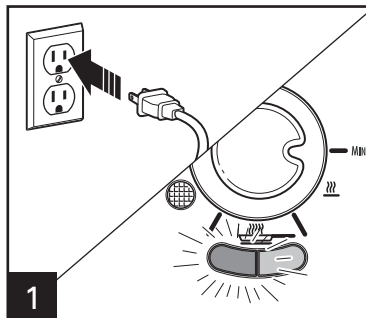
Appuyer sur le bouton de dégagement et le pousser vers la petite flèche, appuyer sur grille pour la fixer en place et relâcher le bouton pour maintenir solidement la grille en place.



Le couvercle de la plaque inférieure ne se verrouille pas. Placer simplement la plaque sur la base puis tourner la poignée pour aligner la fente avec le bouton de dégagement pour installer correctement la plaque.

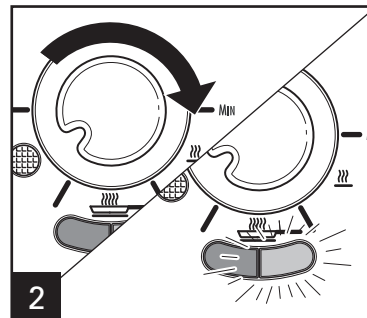
# Comment utiliser des grilles à gaufres

**AVANT LA PREMIÈRE UTILISATION :** Laver les plaques dans un lave-vaisselle ou l'eau chaude savonneuse. Rincer et sécher. Essuyer ou brosser les grilles avec de l'huile végétale. Cette étape est recommandée avant la première utilisation seulement. Le brunissage s'améliorera au cours des lots subséquents.



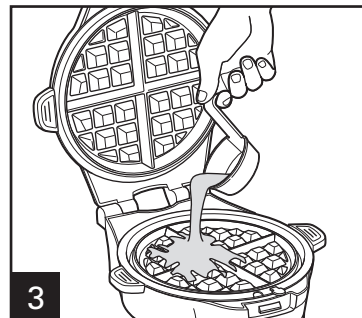
**1** Brancher la fiche dans la prise murale. Le témoin d'alimentation rouge s'allumera.

**CONSEIL :** Utiliser une petite quantité d'enduit pour cuisson en vaporisateur antiadhésif sur les grilles avant le préchauffage.



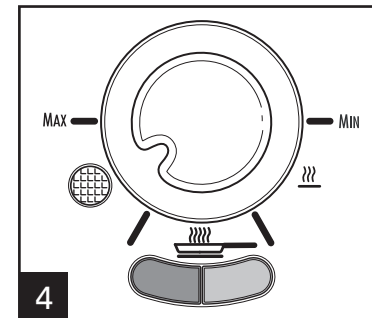
**2** Choisir le réglage de température à gaufres désirée, fermer le couvercle et préchauffer jusqu'à ce que le témoin de prêt vert s'allume.

**CONSEIL :** L'intensité du brunissage et de tendreté est déterminée par la température des grilles de cuisson. Plus la température est élevée, plus la gaufre sera brune et croquante.



**3** Soulever le couvercle et verser deux mesures PLEINES de pâte au centre de la grille de cuisson inférieure. Abaisser le couvercle.

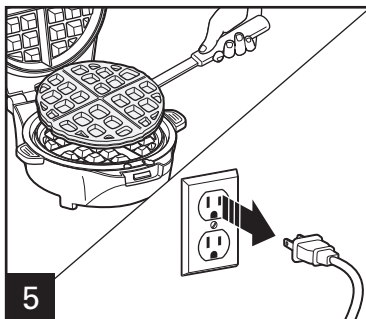
**CONSEIL :** Réduire la quantité de pâte à gaufre de 30 ml (2 cuillères à soupe) pour pouvoir ajouter des noix, fruits ou pépites de chocolat à la gaufre.



**4** Les gaufres sont prêtes en environ 6 à 8 minutes, selon le réglage, la recette, lorsque le témoin de prêt vert s'allume, ou le moment où elles commencent à ne plus dégager de vapeur.

Ne pas préchauffer ou faire fonctionner l'appareil sans avoir installé correctement les grilles.

## Comment utiliser des grilles à gaufres (suite)



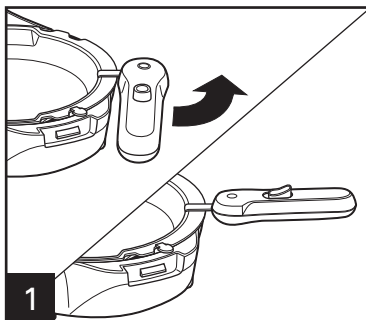
En utilisant un gant de cuisinier, ouvrir le couvercle. Retirer les gaufres avec un ustensile en plastique ou en bois. Ne jamais utiliser un ustensile en métal ; il endommagerait le fini antiadhésif. Tourner la commande à « MIN ». Débrancher l'appareil dès que vous avez terminé. Laisser refroidir.

**AVERTISSEMENT !** Risque de brûlure. Toujours utiliser un gant de cuisinier pour protéger les mains au moment de l'ouverture d'un gaufrier chaud. La vapeur dégagée peut causer des brûlures.

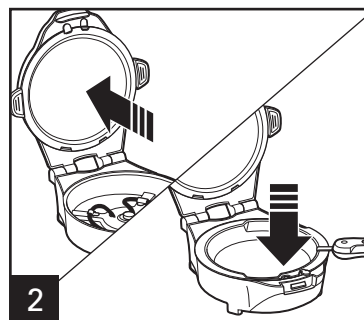
## Comment utiliser plaque de cuisson antiadhésive

**⚠ AVERTISSEMENT** Risque de brûlures.

Ne jamais porter ou déplacer la poêle quand celle-ci contient de la nourriture ou de l'huile encore chaude. Afin d'éviter les risques de brûlure dues aux projections d'huile, ne mettez pas trop d'huile dans la poêle. Pour la friture, verser l'huile dans la poêle puis préchauffer l'appareil.



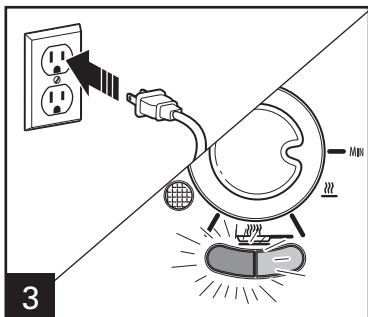
Avant d'utiliser une plaque de cuisson, déplacer la poignée vers la gauche ou la droite jusqu'à ce qu'elle s'enclenche correctement et que la poignée soit à l'horizontale.



Le couvercle de la plaque inférieure ne se verrouille pas.  
**REMARQUE :** Ne pas faire fonctionner l'appareil sans avoir installé correctement la plaque de cuisson.  
Le préchauffage et le fonctionnement doivent se faire alors que les plaques de cuisson sont installées.

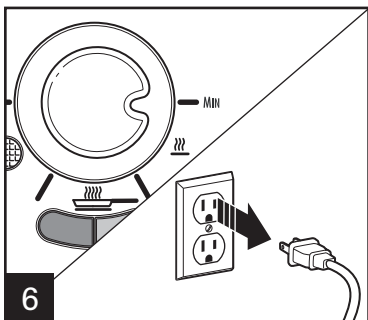
21

## Comment utiliser poêle à frire antiadhésive (suite)

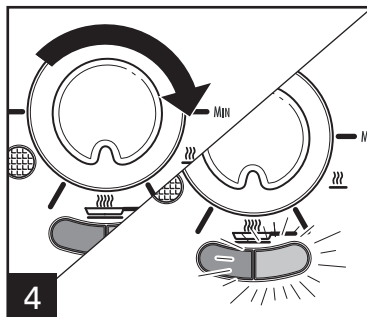


3  
Brancher la fiche dans la prise murale. Le témoin d'alimentation rouge s'illuminera.

**CONSEIL :** Utiliser une petite quantité d'enduit pour cuisson en vaporisateur antiadhésif sur le plaque de cuisson inférieure avant le préchauffage.



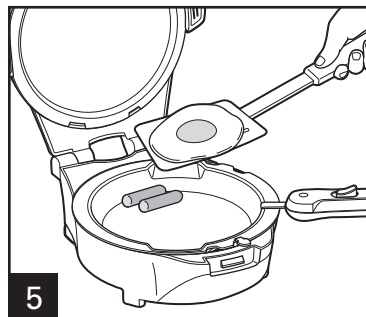
6  
22



4  
Choisir le réglage de température à plaque cuisson désirée et préchauffer de 5 à 7 minutes.

**CONSEIL :** Pour obtenir une cuisson uniforme, égoutter la graisse de la plaque de cuisson lorsque l'on cuit du bacon, de la saucisse ou d'autres sortes de viandes.

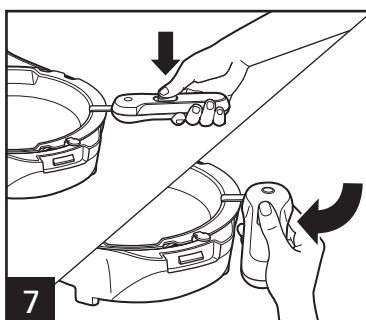
Tourner la commande à « MIN ». Débrancher l'appareil dès que vous avez terminé. Laisser refroidir.



Déposer les aliments et fermer le couvercle. Soulever le couvercle pour vérifier la cuisson et tourner les aliments au besoin. Utiliser seulement des ustensiles de cuisson en bois ou en plastique afin de prolonger la durée de vie du revêtement antiadhésif.

### CONSEILS :

- Garder le couvercle fermé pour obtenir de meilleurs résultats et cuire plus rapidement.
- La plaque de cuisson inférieure est dotée de deux zones pour un égouttement facile.








7  
Tenir la plaque de cuisson inférieure avec la main gauche et tenir la poignée avec la main droite. Avec le pouce, faire reculer le bouton vers l'extrémité de la poignée. Replier la poignée en la tournant vers la gauche ou la droite.

# Guide de cuisson

La plaque de cuisson est recommandée pour cuire tous les aliments gras.

\*Les temps de cuisson sont établis en fonction d'ingrédients frais, et non d'ingrédients congelés.

Visitez [foodsafety.gov](http://foodsafety.gov) pour plus d'information à propos des températures internes de cuisson sécuritaires.

ALIMENTS	TEMPÉRATURE	TEMP. INTERNE	TEMPS DE CUISSON APPROX.*
Oeufs au miroir		72 °C (160 °F)	2 à 3 minutes (pas de retour)
Pain doré		-----	2 à 4 minutes
Crêpes		-----	2 à 4 minutes
Bacon		Croustillant	4 à 6 minutes
Chapelets et galettes de saucisses (1.3 cm [1/2 po] d'épaisseur)		72 °C (160 °F)	6 à 8 minutes

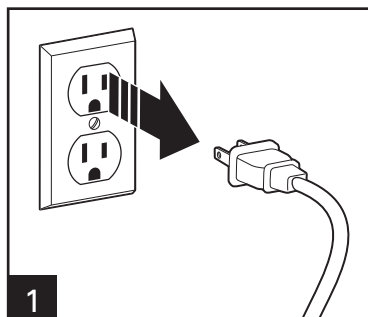
## Conseils

- Utiliser des mélanges à gaufre offerts actuellement sur le marché pour faire un déjeuner rapide et chaud pour toute la famille.
- Utiliser un enduit pour cuisson avant de verser la pâte sur les grilles, surtout pour des gaufres desserts ou des recettes contenant beaucoup de sucre.
- Si les gaufres ont collé, les grilles peuvent être récurées à l'aide d'une brosse en nylon pour enlever toutes les particules d'aliments cuits.
- Pour une pâte à gaufres contenant des noix, utiliser des noix hachées et étendre uniformément la pâte pour permettre la fermeture du couvercle.
- Les gaufres peuvent être préparées à l'avance et gardées au chaud au four à 93 °C (200 °F).
- Réchauffer au four à microondes, grille-pain/four ou dans un four classique.
- La durée de cuisson de la plupart des gaufres est de 6 à 8 minutes environ, selon le réglage choisi. Les recettes faites approximativement peuvent nécessiter une durée de cuisson plus longue. Vérifier la cuisson après 5 minutes environ. Si le couvercle du gaufrier ne se soulève pas facilement, laisser cuire une minute de plus puis vérifier la cuisson. Lorsque le témoin de prêt vert s'allume ou que la vapeur ne s'échappe plus, signifie également que la gaufre est cuite.
- Pour conserver les gaufres et les réchauffer ultérieurement, laisser refroidir les gaufres et les emballer dans un contenant hermétique puis mettre le contenant au réfrigérateur ou au congélateur.

### SI VOUS HABITEZ DANS UNE RÉGION À HAUTE ALTITUDE :

Les services de vulgarisation offrent les informations au sujet de la cuisson pour votre région. Pour trouver la coopérative de services de vulgarisation, veuillez visiter le site <http://www.csrees.usda.gov/Extension/>.

# Entretien et nettoyage

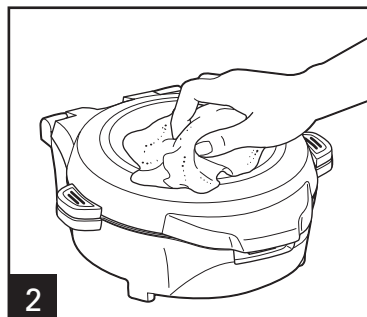


1

Tourner la commande à « MIN ». Débrancher l'appareil dès que vous avez terminé. Laisser refroidir.

Essuyer l'extérieur de l'appareil avec un linge imbibé d'eau savonneuse.

Ne pas utiliser de tampon métallique à récurer ou de poudre à nettoyer sur aucune pièce de l'appareil. Ne jamais utiliser d'objets affûtés ou pointus pour les besoins de nettoyage.



2

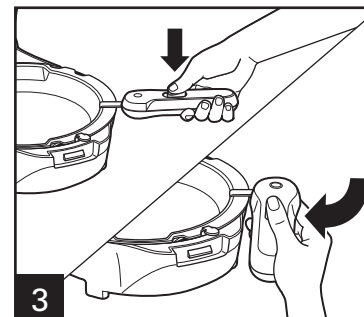
## ⚠ AVERTISSEMENT Risque d'électrocution.

Débrancher l'appareil avant le nettoyage. Ne pas immerger le cordon, la fiche ou la base dans quelconque liquide.



### LAVABLES AU LAVE-VAISSELLE

NE PAS utiliser le réglage « SANI » du lave-vaisselle. Les températures du cycle « SANI » peuvent endommager le produit. Les parois arrière des grilles pour gaufre et des plaques de cuisson peuvent se décolorer. Ceci est normal.



3

Replier la poignée après avoir nettoyé l'appareil pour pouvoir le ranger facilement. Tenir la plaque de cuisson inférieure avec une main et tenir la poignée avec l'autre main. Avec le pouce, faire reculer le bouton vers l'extrémité et tourner la poignée à gauche ou à droite afin de la positionner pour le rangement.

# Dépannage

## PROBLÈME

Chauffage inférieur, faible ou lent.

Cuisson trop lente.

Les gaufres ne sont pas assez brunes.

## CAUSE POSSIBLE

- Laisser gaufres/pôele à frire chauffer 5 à 7 minutes avant de commencer la cuisson.
- S'assurer que les grilles sont installées correctement.
- Régler le sélecteur de température à MAX (réglage plus intense).



## Garnitures et tartinades suggérées pour accompagner les gaufres

Sirop d'érable  
Sirop au chocolat  
Sucre super fin  
Miel  
Confitures et gelées

Sucre à la cannelle  
Beurre d'érable  
Beurre de pomme  
Crème fouettée  
Compote de pommes

Cassonade  
Chocolat râpé  
Glaçage à gâteaux  
Beurre d'arachide

Suggestions à incorporer à la pâte avant la cuisson : de petits morceaux de fruits frais, des fruits séchés, des pépites de chocolat, des raisins enrobés de chocolat ou des noix.

**CONSEIL** : Certains fruits frais comme les bleuets coloreront la pâte de bleu. Ne pas les mélanger à la pâte. Parsemer ces fruits sur la pâte avant de la cuire.

## Recettes

### Recette de base pour gaufres

500 ml (2 tasses) de farine	5 ml (1 cuillère à thé) de sel
30 ml (2 cuillères à soupe) de sucre	430 ml (1 3/4 tasse) de lait
15 ml (1 cuillère à soupe) de levure chimique	80 ml (1/3 de tasse) d'huile végétale
	2 œufs

Combiner la farine, le sucre, la levure chimique et le sel. Mélanger le lait, l'huile et les œufs. Verser graduellement le mélange de lait aux ingrédients secs. Remuer pour le tout. Verser deux mesures de pâte au centre de la grille pour gaufre.

**Donne 6 portions (1/2 gaufre chacune).**

**Gaufres aux bleuets** : Après avoir versé la pâte sur les grilles pour gaufre, parsemer des bleuets frais sur la pâte puis fermer le couvercle. Ne pas mélanger les baies dans la pâte pour éviter une coloration bleue des gaufres.

**Pour faire une gaufre salée** : Ajouter les épices fraîches hachées ou séchées préférées à la pâte. Consulter le chapitre *Comment utiliser grilles à gaufres*.

25

## Recettes (suite)

### Pain doré farci

1 gros œuf  
1 blanc d'œuf (gros)  
15 ml (1 cuillère à soupe) de fraises séchées  
15 ml (1 cuillère à soupe) de fromage à la crème  
15 ml (1 cuillère à soupe) de pacanes hachées  
2 tranches de pain à la cannelle

Préchauffer les plaques du maître-déjeuner à température moyenne. Battre l'œuf et le blanc d'œuf dans un bol de grandeur moyenne et réserver. Mélanger le fromage à la crème et les pacanes dans un petit bol puis tartiner une tranche de pain de ce mélange. Parsemer avec les fraises séchées sur l'autre tranche de pain. Recouvrir avec l'autre tranche tartinée du mélange de fromage à la crème en disposant les fraises vers le bas. Déposer le pain dans le mélange d'œufs et laisser tremper 2 minutes ; tourner et laisser tremper 2 minutes de plus. Déposer le pain sur la plaque de cuisson et fermer le couvercle. Cuire de 4 à 5 minutes ou jusqu'à ce que le tout soit bien cuit. Servir avec du sucre glace ou du sucre d'érable.

**Donne 1 portion.**

### Omelette de l'Ouest

2 gros œufs  
15 ml (1 cuillère à soupe) de lait  
15 ml (1 cuillère à soupe) d'oignon haché  
30 ml (2 cuillères à soupe) de champignons hachés  
30 ml (2 cuillères à soupe) de poivron vert haché  
30 ml (2 cuillères à soupe) de poivron rouge haché  
1 tranche de jambon hachée  
Sel et poivre au goût

Préchauffer les plaques du maître-déjeuner à température moyenne. Battre les œufs, le lait, le sel et le poivre jusqu'à homogénéité. Enduire les plaques avec un enduit pour cuisson en vaporisateur. Déposer les oignons, les champignons, le poivron vert et le poivron rouge sur la plaque. Fermer le couvercle et cuire 2 minutes. Verser le mélange d'œufs sur le mélange d'oignons. Garnir avec le jambon. Fermer le couvercle. Cuire 3 minutes ou jusqu'à ce que le tout soit bien cuit. Parsemer avec le fromage et retirer de la plaque. Servir avec de la salsa ou de la crème sure. **Donne 1 portion.**

## Recettes (suite)

### Omelette à la saucisse et aux pommes de terre

2 gros oeufs, battus  
15 ml (1 cuillère à soupe) de crème sure  
1,25 ml (1/4 de cuillère à café) d'épices italiennes  
0,6 ml (1/8 de cuillère à café) de sel  
0,6 ml (1/8 de cuillère à café) de poivre  
60 ml (1/4 de tasse) de chair à saucisse  
60 ml (1/4 de tasse) de pommes de terre rissolées  
30 ml (2 cuillères à soupe) d'oignon haché  
30 ml (2 cuillères à soupe) de poivron haché  
30 ml (2 cuillères à soupe) de fromage cheddar râpé

Préchauffer les plaques du maître-déjeuner à température moyenne. Battre les œufs, la crème sure, les épices italiennes, le sel et le poivre. Enduire les plaques avec un enduit pour cuisson en vaporisateur. Ajouter les pommes de terre, l'oignon et le poivron à la saucisse. Fermer le couvercle et cuire 2 minutes. Verser le mélange d'œufs sur le mélange de pommes de terre. Fermer le couvercle et cuire 3 minutes. Parsemer de fromage et retirer de la plaque. **Donne 1 portion.**

### Omelette crémeuse au bacon et aux tomates

2 tranches de bacon coupées en morceaux de 1,25 cm (1/2 po)  
2 gros oeufs, battus  
15 ml (1 cuillère à soupe) de ciboulette hachée  
1,25 ml (1/4 de cuillère à café) de basilic séché  
Sel et poivre au goût  
45 ml (3 cuillères à soupe) de tomates hachées  
15 ml (1 cuillère à soupe) de fromage à la crème, coupé en morceaux

Préchauffer les plaques du maître-déjeuner à température moyenne. Déposer le bacon sur la plaque puis fermer le couvercle. Cuire 3 à 4 minutes ou jusqu'à ce que le bacon soit croustillant. Égoutter la plaque et déposer le bacon sur une serviette en papier. Mélanger les œufs, le basilic, le sel et le poivre. Verser le mélange d'œufs sur la plaque puis fermer le couvercle. Cuire 3 minutes ; ajouter le fromage à la crème, le bacon et les tomates sur une moitié de l'omelette. Plier en deux pour couvrir le mélange. Fermer le couvercle et cuire 2 minutes de plus ou jusqu'à ce que le tout soit bien cuit. **Donne 1 portion.**

## Garantie limitée

Cette garantie s'applique aux produits achetés et utilisés aux É.-U. et au Canada. C'est la seule garantie expresse pour ce produit et est en lieu et place de tout autre garantie ou condition.

Ce produit est garanti contre tout défaut de matériaux et de main-d'oeuvre pour une période de un (1) an à compter de la date d'achat d'origine. Au cours de cette période, votre seul recours est la réparation ou le remplacement de ce produit ou tout composant s'avérant défectueux, à notre gré, mais vous êtes responsable de tous les coûts liés à l'expédition du produit et le retour d'un produit ou d'un composant dans le cadre de cette garantie. Si le produit ou un composant n'est plus offert, nous le remplacerons par un produit similaire de valeur égale ou supérieure.

Cette garantie ne couvre pas le verre, les filtres, l'usure d'un usage normal, l'utilisation non conforme aux directives imprimées, ou des dommages au produit résultant d'un accident, modification, utilisation abusive ou incorrecte. Cette garantie s'applique seulement à l'acheteur original ou à la personne l'ayant reçu en cadeau. La présentation du reçu de vente d'origine comme preuve d'achat est nécessaire pour faire une réclamation au titre de cette garantie. Cette garantie s'annule si le produit est utilisé autrement que par une famille ou si l'appareil est soumis à toute tension ou forme d'onde différente des caractéristiques nominales précisées sur l'étiquette (par ex. : 120 V ~ 60 Hz).

Nous excluons toutes les réclamations au titre de cette garantie pour les dommages spéciaux, consécutifs et indirects causés par la violation de garantie expresse ou implicite. Toute responsabilité est limitée au prix d'achat. **Chaque garantie implicite, y compris toute garantie ou condition de qualité marchande ou d'adéquation à un usage particulier, est exonérée, sauf dans la mesure interdite par la loi, auquel cas la garantie ou condition est limitée à la durée de cette garantie écrite.** Cette garantie vous donne des droits légaux précis. Vous pouvez avoir d'autres droits qui varient selon l'endroit où vous habitez. Certaines provinces ne permettent pas les limitations sur les garanties implicites ou les dommages spéciaux ou indirects de telle sorte que les limitations ci-dessus ne s'appliquent peut-être pas à votre cas.

Ne pas retourner cet appareil au magasin lors d'une réclamation au titre de cette garantie. Téléphoner au 1.800.851.8900 aux É.-U. ou au 1.800.267.2826 au Canada ou visiter le site internet [www.hamiltonbeach.com](http://www.hamiltonbeach.com) aux É.-U. ou [www.hamiltonbeach.ca](http://www.hamiltonbeach.ca) au Canada. Pour un service plus rapide, trouvez le numéro de modèle, le type d'appareil et les numéros de série sur votre appareil.

# SALVAGUARDIAS IMPORTANTES

Cuando use aparatos eléctricos, siempre se deben seguir las precauciones básicas de seguridad incluyendo las siguientes:

1. Lea todas las instrucciones.
2. Verifique que el voltaje de su instalación corresponda con el del producto.
3. No toque superficies calientes. Use las manijas o perillas.
4. Para protegerse contra riesgos por descarga eléctrica, no sumerja el cable, enchufe o el aparato en agua u otro líquido.
5. Se requiere de una estrecha supervisión cuando cualquier aparato está siendo usado por o cerca de niños.
6. Desconecte de la toma cuando no esté en uso o antes de limpiar. Deje que se enfríe antes de poner o quitar partes o antes de limpiar.
7. No opere ningún aparato con un cable o enchufe dañado, o después de que el aparato tenga un mal funcionamiento o se haya caído o dañado de cualquier forma. Llame a nuestro número gratuito de servicio al cliente para información sobre examinación, reparación o ajuste.
8. El uso de aditamentos de accesorio no recomendados por el fabricante del aparato puede causar lesiones.
9. No lo use en exteriores.
10. No deje que el cable cuelgue del borde de la mesa o cubierta, o que toque superficies calientes, incluyendo la estufa.
11. No coloque sobre o cerca de quemadores de gas o eléctricos calientes o en un horno calentado.
12. Se debe tener extrema precaución cuando se mueva un aparato que contenga aceite caliente u otros líquidos calientes.
13. No use el aparato para otro uso que no sea para el que fue hecho.
14. No use el aparato sin atenderlo.
15. Durante su uso, deje un espacio de 4 a 6 pulgadas por encima, por detrás y a ambos lados para circulación del aire.
16. Nunca remueva el alimento con ningún tipo de dispositivo de corte u otro utensilio de cocina metálico.
17. Siempre deje que el aparato se enfríe antes de guardarlo y nunca enrolle el cable alrededor del aparato mientras esté caliente.
18. Este artefacto no está diseñado para freír alimentos.

## ¡GUARDE ESTAS INSTRUCCIONES!

### Otra Información de Seguridad para el Cliente

**Este aparato está planeado para uso doméstico.**

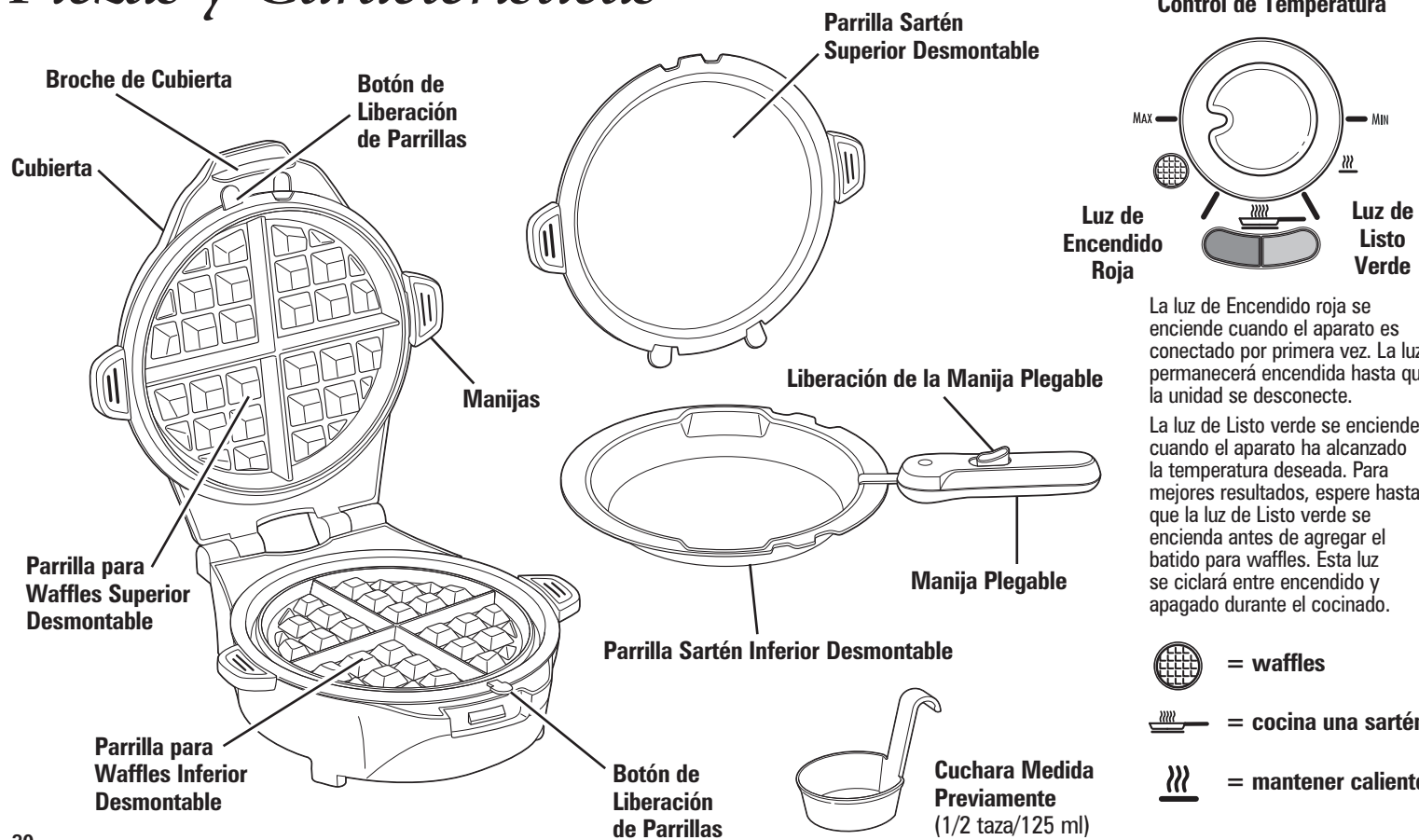
**¡ADVERTENCIA!** Peligro de Descarga Eléctrica: Este aparato cuenta con un enchufe polarizado (una pata más ancha) que reduce el riesgo de una descarga eléctrica. El enchufe embona únicamente en una dirección dentro de un tomacorriente polarizado. No trate de obviar el propósito de seguridad del enchufe modificándolo de alguna manera o utilizando un adaptador. Si el enchufe no entra completamente en la toma, invierta el enchufe. Si aún no entra, haga que un electricista reemplace la toma.

El largo del cable que se usa en este aparato fue seleccionado para reducir el peligro de que alguien se enganche o tropiece con un cable más largo. Si es necesario usar un cable más largo, se podrá usar un cable de extensión aprobado. La clasificación eléctrica nominal del cable de extensión debe ser igual o mayor que la clasificación nominal del aparato. Es importante tener cuidado de colocar el cable de extensión para que no se pliegue sobre el mostrador o la mesera en donde niños puedan tirar del mismo o tropezarse accidentalmente.

Para evitar una sobrecarga eléctrica del circuito, no use otro aparato de alto voltaje en el mismo circuito con este aparato.

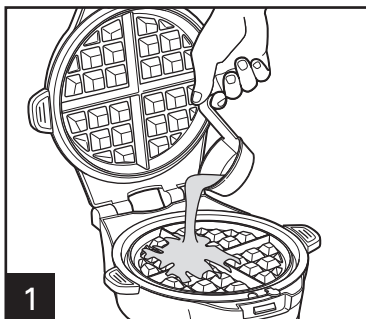
29

# Piezas y Características

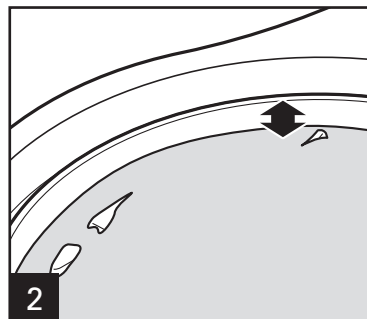


30

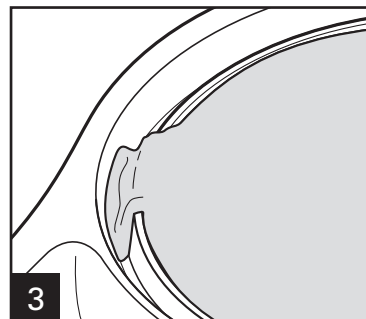
## Funciones Fáciles con 3 Opciones



Use dos cucharas medida previamente con la cantidad perfecta de masa.



Las profundas parrillas dejan espacio para que los waffles se eleven mientras se cocinan.



El canal de desborde extra profundos permite que el exceso de masa ingrese a canales de desborde extra profundos.

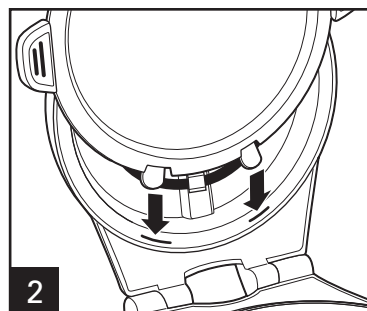
# Cómo Cambiar las Parrillas

**⚠ ADVERTENCIA**

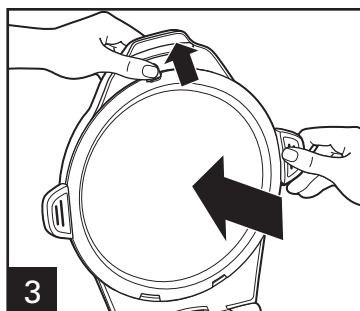
**Peligro de Quemaduras.**  
No cambie parrillas calientes.



Abra la tapa. Quite la parrilla instalada presionando el botón de liberación en la dirección de la flecha pequeña, sacando la parrilla.



Sostenga ambos lados de la otra parrilla utilizando las manijas. Introduzca las dos lengüetas en las aberturas de la cubierta inferior.



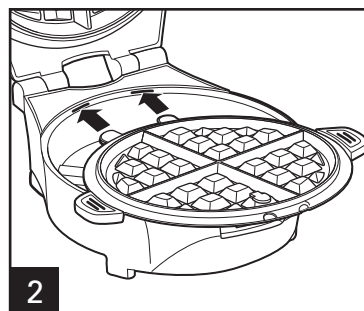
Presione el botón de liberación de la parrilla en la dirección de la flecha pequeña, presione la parrilla en su lugar y libere el botón para fijar la parrilla en su lugar.



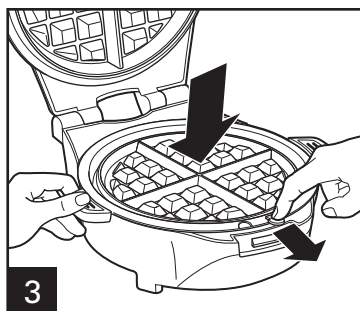
## Cómo Cambiar las Parrillas (cont.)



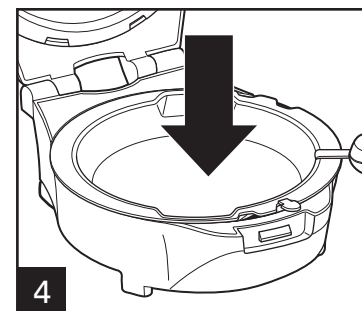
Quite la parrilla instalada presionando el botón de liberación en la dirección de la flecha pequeña, sosteniendo la manija y sacando la parrilla.



Para volver a instalar la parrilla, tome las manijas de la parte inferior e introduzca las dos lengüetas en las aberturas de la base.



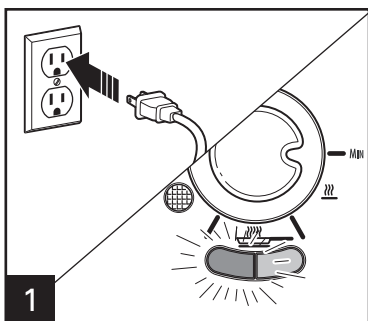
Presione el botón de liberación de la parrilla en la dirección de la flecha pequeña, presione la parrilla en su lugar y libere el botón para fijar la parrilla en su lugar.



La parrilla sartén inferior no se traba en su lugar. Simplemente coloque la sartén en la base, gire la manija para alinear el área ranurada con el botón de liberación y la sartén quedará en su lugar.

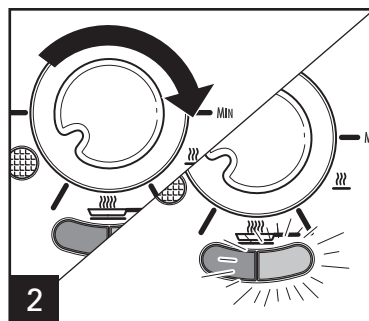
# Como Usarlo Parrillas para Waffles

**ANTES DEL PRIMER USO:** Lave las parrillas en el lavavajillas o en agua caliente jabonosa. Enjuague y seque. Limpie o cepille las parrillas para waffles con aceite vegetal. Esto se recomienda solamente antes del primer uso. El dorado del waffle mejorará con cada lote subsiguiente.



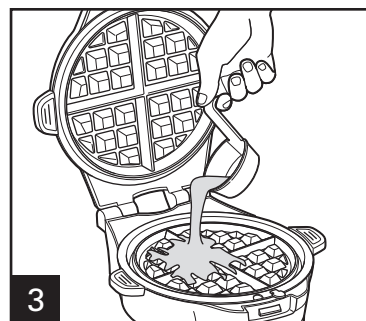
Enchufe el cable en una toma eléctrica. La luz de Encendido roja se encenderá.

**CONSEJO:** Puede usarse una pequeña cantidad de aerosol para cocción antiadherente en las parrillas antes de precalentar.



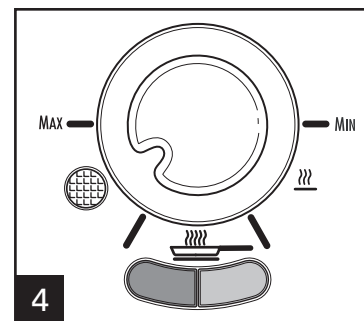
Elija el ajuste de temperatura de waffles deseada y precaliente con la tapa cerrada hasta que la luz de Listo verde se encienda.

**CONSEJO:** El color de los waffles y cuán crujientes quedan se ven determinados por la temperatura de las parrillas. Cuanto más elevada la temperatura, más dorado y crujiente quedará el waffle.



Levante la cubierta y vierta dos cucharadas premedidas LLENAS de masa en el centro de la parrilla de cocción inferior. Baje la cubierta.

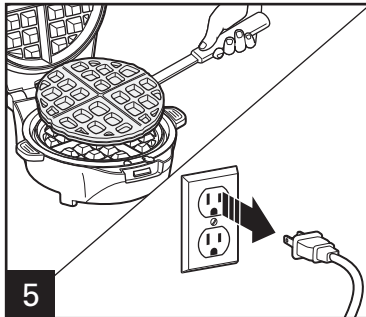
**CONSEJO:** Cuando agregue nueces, frutas o trocitos de chocolate a su waffle, reduzca la masa en 2 cucharadas (30 ml).



Los waffles se cocinan en 6–8 minutos, dependiendo de la configuración, la receta, cuando la luz de Listo verde se encienden, o cuando el vapor comienza a desaparecer.

No precaliente ni utilice la unidad sin las parrillas en su lugar.

## Como Usarlo Parrillas para Waffles (cont.)



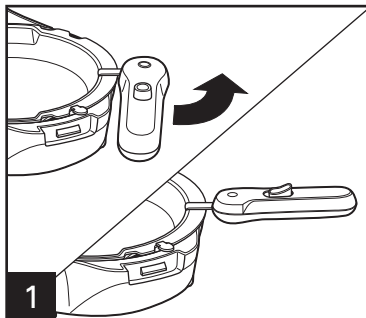
Usando un guante de cocina, abra la tapa. Quite el waffle con un utensilio de plástico o de madera. Nunca utilice metal. Esto dañará el revestimiento antiadherente. Gire el control a "MIN". Desconecte la unidad cuando acabe de cocinar. Deje enfriar.

**¡ADVERTENCIA!** Peligro de Quemarse. Siempre use unos guantes de cocina para proteger las manos cuando abra la wafflera caliente. El vapor que escapa puede quemar.

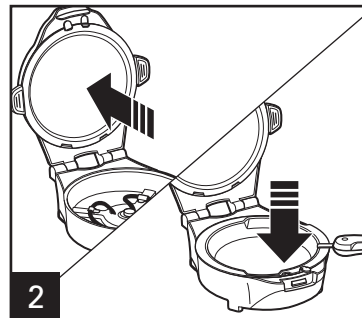
## Como Usarlo Sartén Antiadherente

**▲ ADVERTENCIA** Peligro de Quemaduras.

No transporte o mueva la sartén cuando contenga aceite o alimentos calientes. Para reducir el riesgo de quemaduras debido a salpicaduras de aceite, no coloque grandes cantidades de aceite en una sartén caliente. Cuando fría, vierta aceite en la sartén y luego precaliente la unidad.



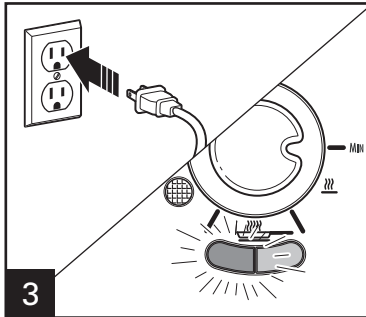
Antes de usar la sartén, desplace la manija hacia la izquierda o la derecha hasta que se trabe en su lugar y la manija quede recta.



La sartén inferior no se traba en su lugar. **NOTA:** No utilice la unidad a menos que la sartén se encuentre bien colocada en su lugar. Sólo precaliente y opere la unidad con las sarténs en su lugar.

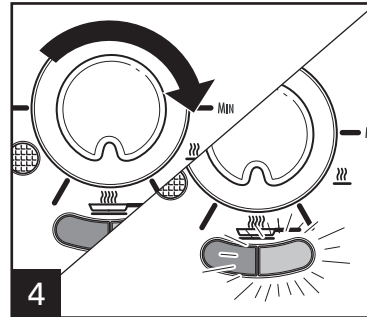
35

## Como Usarlo Sartén Antiadherente (cont.)



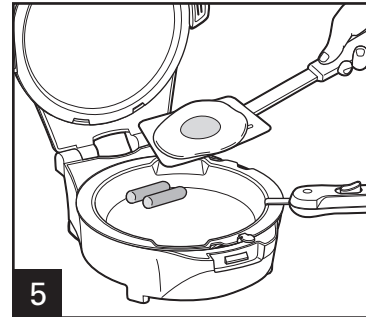
Enchufe el cable en una toma eléctrica. La luz de Encendido roja se encenderá.

**CONSEJO:** Puede usarse una pequeña cantidad de aerosol para cocción antiadherente en parrilla sartén inferior antes de precalentar.



Elija el ajuste de la temperatura del sartén deseada y precaliente de 5 a 7 minutos.

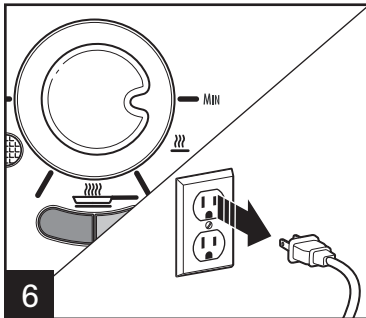
**CONSEJO:** Drene la grasa de la sartén cuando cocine tocino, salchichas u otras carnes para una cocción pareja.



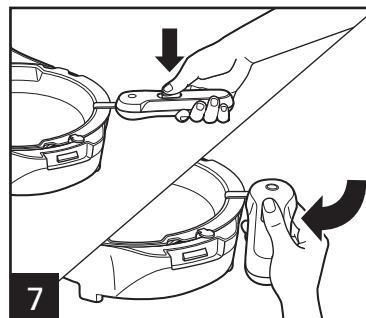
Agregue los alimentos y cierre la cubierta. Levante la cubierta para verificar el nivel de cocción y gire los alimentos cuando sea necesario. Sólo utilice utensilios de cocción plásticos o de madera para prolongar la vida útil del revestimiento antiadherente.

### CONSEJOS:

- Para mejores resultados y cocción más rápida, mantenga la tapa cerrada.
- La sartén inferior cuenta con dos áreas de servicio sencillo para drenaje.



Gire el control a "MIN". Desconecte la unidad cuando acabe de cocinar. Deje enfriar.








Sostenga la sartén inferior con la mano izquierda y la manija con la mano derecha. Utilizando el pulgar, desplace el botón hacia atrás hacia el extremo de la manija. Gire la manija hacia la izquierda o derecha para plegar.

36

# Tabla para Cocinar

La sartén está recomendada para cualquier clase de alimento que produzca grasa.  
\*Los tiempos de cocción están basados en ingredientes frescos, nunca congelados.

Visite **foodsafety.gov** para más información sobre temperaturas de cocinado internas seguras.

ALIMENTOS	TEMPERATURA	TEMP. INTERNA.	TIEMPO DE COCCIÓN APROX.*
Huevos Fritos		160°F (72°C)	2 a 3 minutos (no hay vuelta)
Pan Tostado		-----	2 a 4 minutos
Hotcakes		-----	2 a 4 minutos
Tocino		Crujiente	4 a 6 minutos
Salchichas y Embutidos (1/2" [1.3 cm] de ancho)		160°F (72°C)	6 a 8 minutos

## Consejos de Uso

- Para prepararle a su familia un desayuno rápido y caliente, utilice cualquiera de las mezclas para waffles disponibles en el mercado en la actualidad.
- Utilice un aerosol para cocción antes de verter la mezcla dentro de las parrillas, especialmente para waffles de postre o recetas con mucha azúcar.
- Si sus waffles comienzan a pegarse, las parrillas pueden necesitar tallarse con una brocha de nylon para remover partículas cocidas de alimento.
- Si usará nueces para la masa del waffle, agréguelos cortados y/o de forma pareja esparza la masa de modo que la tapa se cierre totalmente.
- Los waffles pueden hacerse antes de tiempo y mantenerse calientes en un horno a 200°F (93°C).
- Vuelva a calentar en un horno de microondas, u horno tostador o un horno normal.

- La mayoría de los waffles están listos en aproximadamente 6 a 8 minutos, dependiendo de la configuración seleccionada. Algunas de las recetas que se preparan desde el inicio pueden tomar un poco más. Revise si están preparados en aproximadamente 5 minutos. Si la cubierta de la wafflera no se levanta fácilmente, entonces deje cocinar un minuto antes de revisar otra vez. Otro indicador de que el waffle está listo es que la luz de Listo verde se enciendan o que la formación de vapor se detenga.
- Para almacenarlos, deje que los waffles se enfríen y guárdelos en un recipiente hermético; almacene en el refrigerador o congelador para recalentarlos más tarde.

### SI USTED VIVE EN UNA ÁREA DE ALTITUD ELEVADA:

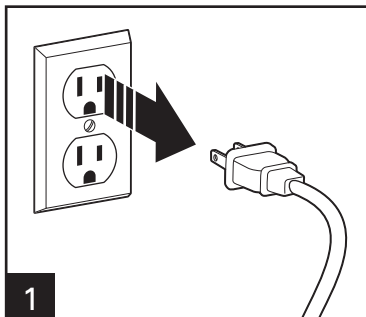
El servicio de extensión tendrá información detallada sobre cocción en su área. Para ubicar el servicio de extensión cooperativa en su condado, tenga a bien visitar la siguiente página:  
<http://www.csrees.usda.gov/Extension/>.

# Cuidado y Limpieza

## ⚠ ADVERTENCIA

### Peligro de Descarga.

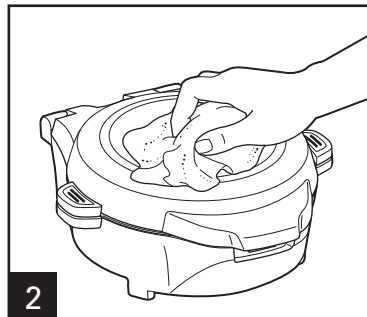
Desconecte de la toma antes de limpiar. No sumerja el cable, enchufe o base en agua u otro líquido.



1

Gire el control a "MIN". Desconecte la unidad cuando acabe de cocinar. Deje enfriar.

Limpie el exterior de la unidad con un trapo húmedo y jabonoso. No use estropajos de fibra de acero, o limpiadores abrasivos sobre cualquier parte de la unidad. Nunca use objetos afilados o picudos con propósitos de limpieza.

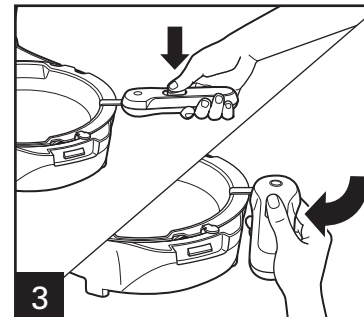


2



**RESISTENTE AL LAVAVAJILLAS**

No utilice la configuración "SANI" cuando la lave en el lavavajillas. Las temperaturas del ciclo "SANI" pueden dañar su producto. Los lados traseros de las parrillas para waffles y sartén pueden decolorarse. Esto es normal.



3

Después de la limpieza, la manija de la sartén puede plegarse para facilitar el almacenamiento. Sostenga la sartén inferior en una mano y la manija en la otra. Utilizando el pulgar, deslice el botón hacia atrás y gire la manija hacia la derecha o izquierda para alcanzar la posición de almacenamiento.

# Resolviendo Problemas

PROBLEMA	CAUSA PROBABLE
Calentamiento bajo, pobre o lento.	<ul style="list-style-type: none"> <li>• Deje que la parrillas para waffles/sartén se caliente por 5 a 7 minutos antes de usar.</li> </ul>
Cocción muy lenta.	<ul style="list-style-type: none"> <li>• Verifique que las rejillas estén bien colocadas.</li> </ul>
Los waffles están muy pálidos.	<ul style="list-style-type: none"> <li>• Ajuste la temperatura hacia MAX (configuración más oscura).</li> </ul>

38

# Coberturas y Pastas para Untar Sugeridas para los Waffles

Jarabe de Arce  
Jarabe de Chocolate  
Azúcar en Polvo  
Miel  
Mermeladas y Jaleas

Azúcar con Canela  
Mantequilla de Arce  
Mantequilla de Manzana  
Crema Batida  
Puré de Manzana

Azúcar Moreno  
Trocitos de Chocolate  
Glaseado de Pastel  
Mantequilla de Maní

Sugerencias para mezclar en la masa antes de cocinar: Pedacitos de fruta fresca, fruta seca, chispas de chocolate, pasas cubiertas con chocolate o nueces.

**CONSEJO:** Algunas frutas frescas, como los arándanos, tornarán azul el color de la masa. No las mezcle dentro de la masa; espárzalas sobre la masa antes de cocinar.

## Recetas

### Waffles Básicos

2 tazas (500 ml) de harina	1 3/4 tazas (430 ml) de leche
2 cucharadas (30 ml) de azúcar	1/3 taza (80 ml) de aceite vegetal
1 cucharada (15 ml) de polvo para hornear	2 huevos
1 cucharadita (5 ml) de sal	

Mezcle la harina, el azúcar, el polvo para hornear y la sal. Combine la leche, el aceite y los huevos. Gradualmente agregue la mezcla de leche a los ingredientes secos. Revuelva hasta apenas mezclar. Vierta dos cucharadas premedidas de masa en el medio de la wafflera. **Rendimiento: 6 (1/2 waffle cada uno)**

**Waffles de Arándanos:** Después de verter la mezcla sobre las parrillas, esparza arándanos frescos sobre la mezcla y luego cierre la tapa. No revuelva los arándanos dentro de la mezcla; esto crea waffles de color gris azulado.

**Para Preparar un Waffle Sabroso:** Agregue sus especias favoritas picadas frescas o secas a la masa. Siga las instrucciones de *Cómo Usarlo Parrillas para Waffles*.

39

## Recetas (cont.)

### Tostadas Francesas Rellenas

- 1 huevo grande
- 1 clara de huevo grande
- 1 cucharada (15 ml) de conserva de frutilla
- 1 cucharada (15 ml) de queso crema
- 1 cucharada (15 ml) de pecanas picadas
- 2 rebanadas de pan de canela

Pre caliente la sartén Breakfast Master en fuego medio. Bata el huevo y la clara de huevo en un tazón medio; separe. Mezcle el queso crema y las pecanas en un tazón pequeño; unte sobre una rebanada de pan. Unte la conserva de frutilla sobre la otra rebanada de pan. Cubra el pan con la mezcla de queso crema en el último pan, con el lado de la frutilla hacia abajo. Coloque el pan en la mezcla de huevo durante 2 minutos; gire y deje sumergido por otros 2 minutos. Coloque el pan en la sartén; cierre la cubierta. Cocine de 4 a 5 minutos o hasta que se hayan cocido bien. Sirva con azúcar en polvo o jarabe de arce. **Rendimiento: 1**

### Omelet del Oeste

- 2 huevos grandes
- 1 cucharada (15 ml) de leche
- 1 cucharada (15 ml) de cebollas picadas
- 2 cucharadas (30 ml) de hongos picados
- 2 cucharadas (30 ml) de pimientos verdes picados
- 2 cucharadas (30 ml) de pimientos rojos picados
- 1 rebanada de jamón picada
- Sal y pimienta a gusto

Pre caliente la Breakfast Master con las parrillas sartén en fuego medio. Bata los huevos, la leche, sal y pimienta hasta mezclar bien. Rocíe la sartén con aerosol para cocción antiadherente. Coloque las cebollas, hongos, pimientos verdes y rojos en la sartén. Cierre la cubierta y cocine por 2 minutos. Vierta la mezcla de huevos sobre la mezcla de cebolla. Cubra con jamón; cierre la tapa. Cocine por 3 minutos o hasta que se haya cocido bien. Espolvoree con queso; quite de la sartén. Sirva con salsa y crema agria, si así lo desea. **Rendimiento: 1**



## Recetas (cont.)

### Omelet de Salchichas y Papas

2 huevos batidos grandes  
1 cucharada (15 ml) de crema agria  
1/4 de cucharadita (1.3 ml) de aderezo italiano  
1/8 de cucharadita (0.6 ml) de sal  
1/8 de cucharadita (0.6 ml) de pimienta  
1/4 taza (60 ml) de salchicha a granel  
1/4 taza (60 ml) de hash browns en cubos  
2 cucharadas (30 ml) de cebollas picadas  
2 cucharadas (30 ml) de pimientos picados  
2 cucharadas (30 ml) de queso cheddar en hebras

Precalente la Breakfast Master con las parrillas sartén en fuego medio. Bata los huevos, la crema agria, el aderezo italiano, la sal y pimienta. Rocíe la sartén con aerosol para cocción antiadherente. Agregue la salchicha; cierre la cubierta y cocine por 2 minutos. Escorra la grasa si fuera necesario. Agregue las papas, la cebolla y el pimiento a la salchicha. Cierre la cubierta y cocine por 2 minutos. Vierta la mezcla de huevos sobre la mezcla de papas. Cierre la cubierta y cocine por 3 minutos. Espolvoree con queso y quite de la sartén. **Rendimiento: 1**

### Omelet Cremoso de Tocino y Tomate

2 rebanadas de tocino cortadas en trozos de 1/2 pulgada  
2 huevos batidos grandes  
1 cucharada (15 ml) de cebollinos picados  
1/4 cucharadita (1.3 ml) de hojas de albahaca secas  
Sal y pimienta a gusto  
3 cucharadas (45 ml) de tomates picados  
1 cucharada (15 ml) de queso crema cortado en pedazos

Precalente la Breakfast Master con las parrillas para sartén en fuego medio. Coloque el tocino en la sartén; cierre la cubierta. Cocine de 3 a 4 minutos o hasta que quede crujiente. Escorra la sartén y coloque el tocino sobre toallas de papel. Mezcle los huevos, albahaca, sal y pimienta. Vierta la mezcla de huevo en la sartén; cierre la cubierta. Cocine por 3 minutos; agregue el queso crema, tocino y el tomate a la mitad de la omelet. Pliegue para cubrir la mezcla. Cierre la cubierta; cocine por 2 minutos adicionales o hasta que se haya cocido bien. **Rendimiento: 1**



Grupo HB PS, S.A. de C.V.  
Monte Elbruz No. 124 Int. 601  
Col. Palmitas Polanco  
México, D.F. C.P. 11560  
01-800-71-16-100

### PÓLIZA DE GARANTÍA

PRODUCTO:	MARCA:	MODELO:
Grupo HB PS, S.A. de C.V. cuenta con una Red de Centros de Servicio Autorizada, por favor consulte en la lista anexa el nombre y dirección de los establecimientos en la República Mexicana en donde usted podrá hacer efectiva la garantía, obtener partes, componentes, consumibles y accesorios; así como también obtener servicio para productos fuera de garantía. Para mayor información llame sin costo: <b>Centro de Atención al consumidor: 01 800 71 16 100</b>		
Grupo HB PS, S.A. de C.V. le otorga a partir de la fecha de compra: <b>GARANTÍA DE 1 AÑO.</b>		
<b>COBERTURA</b>		
<ul style="list-style-type: none"><li>• Esta garantía ampara, todas las piezas y componentes del producto que resulten con defecto de fabricación incluyendo la mano de obra.</li><li>• Grupo HB PS, S.A. de C.V. se obliga a reemplazar, reparar o reponer, cualquier pieza o componente defectuoso; proporcionar la mano de obra necesaria para su diagnóstico y reparación, todo lo anterior sin costo adicional para el consumidor.</li><li>• Esta garantía incluye los gastos de transportación del producto que deriven de su cumplimiento dentro de su red de servicio.</li></ul>		
<b>LIMITACIONES</b>		
<ul style="list-style-type: none"><li>• Esta garantía no ampara el reemplazo de piezas deterioradas por uso o por desgaste normal, como son: cuchillas, vasos, vasos, filtros, etc.</li><li>• Grupo HB PS, S.A. de C.V. no se hace responsable por los accidentes producidos a consecuencia de una instalación eléctrica defectuosa, ausencia de toma de tierra, clavija de enchufe en mal estado, etc.</li></ul>		
<b>EXCEPCIONES</b>		
Esta garantía no será efectiva en los siguientes casos: <ul style="list-style-type: none"><li>a) Cuando el producto se hubiese utilizado en condiciones distintas a las normales. (Uso industrial, semi-industrial o comercial.)</li><li>b) Cuando el producto no hubiese sido operado de acuerdo con el instructivo de uso.</li><li>c) Cuando el producto hubiese sido alterado o reparado por personas no autorizadas por Grupo HB PS, S.A. de C.V. el fabricante nacional, importador o comercializador responsable respectivo.</li><li>d) Esta garantía pierde su validez si el producto es utilizado en un medio diferente a una vivienda unifamiliar o se somete a cualquier voltaje o forma de onda diferente a la especificada en la etiqueta de clasificación (ej., 120V ~ 60 Hz).</li></ul> El consumidor puede solicitar que se haga efectiva la garantía ante la propia casa comercial donde adquirió su producto, siempre y cuando Grupo HB PS, S.A. de C.V. no cuente con talleres de servicio.		

**PROCEDIMIENTO PARA HACER EFECTIVA LA GARANTÍA**

- Para hacer efectiva la garantía no deben exigirse mayores requisitos que la presentación del producto y la póliza correspondiente, debidamente sellada por el establecimiento que lo vendió.
- Para hacer efectiva la garantía, lleve su aparato al Centro de Servicio Autorizado más cercano a su domicilio (consulte la lista anexa).
- Si no existe Centro de Servicio Autorizado en su localidad llame a nuestro Centro de Atención al Consumidor para recibir instrucciones de como hacer efectiva su garantía.
- El tiempo de reparación, en ningún caso será mayor de 30 días naturales contados a partir de la fecha de recepción del producto en nuestros Centros de Servicio Autorizados.
- En caso de que el producto haya sido reparado o sometido a mantenimiento y el mismo presente deficiencias imputables al autor de la reparación o del mantenimiento dentro de los treinta días naturales posteriores a la entrega del producto al consumidor, éste tendrá derecho a que sea reparado o mantenido de nuevo sin costo alguno. Si el plazo de la garantía es superior a los treinta días naturales, se estará a dicho plazo.
- El tiempo que duren las reparaciones efectuadas al amparo de la garantía no es computable dentro del plazo de la misma. Cuando el bien haya sido reparado se iniciará la garantía respecto de las piezas repuestas y continuará con relación al resto. En el caso de reposición del bien deberá renovarse el plazo de la garantía.

DÍA\_\_ MES\_\_ A—O\_\_

Si desea hacer comentarios o sugerencias con respecto a nuestro servicio o tiene alguna queja derivada de la atención recibida en alguno de nuestros Centros de Servicio Autorizados, por favor dirigirse a:

**GERENCIA INTERNACIONAL DE SERVICIO**  
01 800 71 16 100  
Email: [mexico.service@hamiltonbeach.com.mx](mailto:mexico.service@hamiltonbeach.com.mx)

**RED DE CENTROS DE SERVICIO AUTORIZADA GRUPO HB PS, S.A. DE C.V.**

**Distrito Federal**

**ELECTRODOMÉSTICOS**

Av. Plutarco Elías Calles No. 1499  
Zacahuitzco MEXICO 09490 D.F.  
Tel: 01 55 5235 2323 • Fax: 01 55 5243 1397

**CASA GARCIA**

Av. Patriotismo No. 875-B  
Mixcoac MEXICO 03910 D.F.  
Tel: 01 55 5563 8723 • Fax: 01 55 5615 1856

**Nuevo Leon**

**FERNANDO SEPULVEDA REFACCIONES**

Ruperto Martínez No. 238 Ote.  
Centro MONTERREY, 64000 N.L.  
Tel: 01 81 8343 6700 • Fax: 01 81 8344 0486

**Jalisco**

**SERVICIOS DE MANTENIMIENTO CASTILLO**

Garibaldi No. 1450  
Ladrón de Guevara  
GUADALAJARA 44660 Jal.  
Tel: 01 33 3825 3480 • Fax: 01 33 3826 1914

**Chihuahua**

**DISTRIBUIDORA TURMIX**

Av. Paseo Triunfo de la Rep. No. 5289 Local 2 A.  
Int. Hipermart  
Alamos de San Lorenzo  
CD. JUAREZ 32340 Chih.  
Tel: 01 656 617 8030 • Fax: 01 656 617 8030

**Modelo:**  
26046

**Tipo:**  
ST28

**Características Eléctricas:**  
120V~ 60Hz 650W

**Los modelos incluidos en el instructivo de Uso y Cuidado pueden ir seguidos o no por un sufijo correspondiente a una o varias letras del alfabeto y sus combinaciones, separadas o no por un espacio, coma, diagonal, o guión. Como ejemplos los sufijos pueden ser: "Y" y/o "MX" y/o "MXY" y/o "Z".**

840216601

7/12

## Free Manuals Download Website

<http://myh66.com>

<http://usermanuals.us>

<http://www.somanuals.com>

<http://www.4manuals.cc>

<http://www.manual-lib.com>

<http://www.404manual.com>

<http://www.luxmanual.com>

<http://aubethermostatmanual.com>

Golf course search by state

<http://golfingnear.com>

Email search by domain

<http://emailbydomain.com>

Auto manuals search

<http://auto.somanuals.com>

TV manuals search

<http://tv.somanuals.com>