

Commercial Showers & Tub Showers

64" Acrylic Shower



Hamilton
BATHWARE

ADA / ANSI Roll-In Showers ONE-PIECE DOMED ACRYLIC

701A- NO MODIFICATIONS TO PACKAGES. FOR BUILT TO ORDER UNIT, SELECT BASE UNIT AND ACCESSORIES.

PKG ONE-ADA/ANSI: A 6436 IBS	List: \$3219
.75" NO RECESS BF THRESHOLD	MUDSET
Handed by SEAT L/R	WHITE PREMIUM CAST ACRYLIC
Factory Installed Accessories (VALVE/SHOWER KIT NOT INCLUDED IN PKG1)	
L-BAR	37" x 33" x 1.5" SMOOTH SS RADIUS
SEAT	32" X 21" FRAMELESS WHITE HDPE RAD FOLD UP
ROD	1" OD 20 GAUGE SS GROMMET STYLE

FOR ADA/ANSI COMPLIANCE WITH SEAT: INSTALLED ACCESSORIES MUST INCLUDE: L-BAR, L-SEAT, PRESSURE BALANCING MIXING VALVE, HAND HELD SHOWER WITH SLIDE BAR (BACK WALL, WITH IN REACH OF SEATED USER), VACUUM BREAKER & 60" HOSE. UNIT & ACCESSORIES INSTALLED PER ADA/ANSI & PRAXIS INSTALLATION & WARRANTY GUIDELINES.

PKG TWO-ADA/ANSI: A 6436 IB	List: \$2600
.75" NO RECESS BF THRESHOLD	MUDSET
Handed by CENTER DRAIN	WHITE PREMIUM CAST ACRYLIC
Factory Installed Accessories (VALVE/SHOWER KIT NOT INCLUDED IN PKG2)	
U-BAR	33" X 60" X 33" X 1.5" SMOOTH SS RADIUS W/ CENTER FLANGE
ROD	1" OD 20 GAUGE SS GROMMET STYLE

FOR ADA/ANSI COMPLIANCE LESS SEAT: INSTALLED ACCESSORIES MUST INCLUDE: U-BAR, PRESSURE BALANCING MIXING VALVE, HAND HELD SHOWER WITH SLIDE BAR (SIDE OR BACK WALL), VACUUM BREAKER AND 60" HOSE. UNIT AND ACCESSORIES INSTALLED PER ADA/ANSI & PRAXIS INSTALLATION & WARRANTY GUIDELINES.

BUILD TO ORDER BASE PLUS ACCESSORIES

BASE UNIT 1: A 6436 I	List: \$2185
SPECIFY THRESHOLD HEIGHT	MUDSET
Handed by CENTER DRAIN OR SEAT L/R	
Reinforced for Standard Accessories	

BASE UNIT OPTIONAL ACCESSORIES	List:
FINISHES	
STANDARD FINISH- PREMIUM CAST ACRYLIC: WHITE, BONE, BISCUIT	\$0
GRAB BARS	
L-BAR	37" x 33" x 1.5" SMOOTH SS RADIUS \$216
L-BAR	37" x 33" x 1.25" SMOOTH WHITE RADIUS \$335
U-BAR	33" X 60" X 33" X 1.5" SMOOTH SS RADIUS W/ CENTER FLANGE \$399

INSIDE CURTAIN LINE SEATS (REVISED ADA-ABA 2004)	List:
SEAT	32" X 21" FRAMELESS WHITE HDPE RAD FOLD UP \$747
SEAT	32" X 21" FRAMELESS WHITE PADDED RAD FOLD UP \$747
SEAT	32" X 21" FRAMELESS WOODGRAIN PHENOLIC RAD FOLD UP \$747
SEAT	32" X 14.5" WHITE PADDED W/LEGS (BARIATRIC) \$1281

FACTORY MODIFICATIONS	List:
MOD	VALVE DRILLING - SPECIFY HOLE SIZE \$56
MOD	INSTALL STANDARD SYMMONS VALVE PACKAGE \$633
MOD	INSTALL HANS GROHE THERMOSTATIC VALVE PACKAGE (XLT) \$501
MOD	INSTALL POWERS VALVE PACKAGE (XLT) \$656
MOD	INSTALL 30" SLIDE BAR / HS KIT \$411
MOD	.75" NO RECESS BF THRESHOLD \$111
MOD	2" BF THRESHOLD \$0
MOD	ARMORSHIELD P3 PROTECTION \$149

CURTAIN RODS	List:
ROD	1" OD 20 GAUGE SS GROMMET STYLE \$71
ROD	1" OD 20 GAUGE WHITE GROMMET STYLE \$138

FIELD INSTALLED ACCESSORIES	List:
LOOSE	CURTAIN PREMIUM 66" X 72" WHITE NYLON WTD \$180
LOOSE	CURTAIN HEAVY DUTY 66" X 72" WHITE VINYL WTD \$119

ADDITIONAL ACCESSORIES AND SERVICES MAY BE AVAILABLE UPON REQUEST

Special Notes: This unit complies with ANSI Z124.2, ICC/ANSI A117.1, UPC, HUD, ASTM F462, ASTM E84, ADA, ABA, SBCCI, NAHB.

Warranty: Gelcoat models have a 3 year limited warranty. Acrylic models have a 5 year limited warranty. Pumps, parts, and accessories 1 year limited warranty. For further details please refer to the complete warranty section.

Due to the nature of the materials, dimensions may vary +/- 1/2".

DRAWING REQUEST MUST BE MADE FOR PACKAGE 2 DRAWING AND BUILT TO ORDER UNITS.



A 6436 IBS

PHOTOGRAPH AT LEFT ILLUSTRATES PACKAGE ONE (HANDED BY SEAT LEFT)

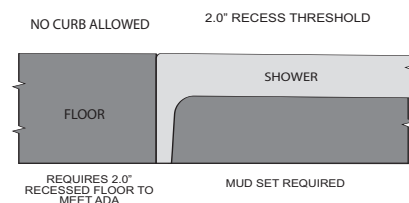
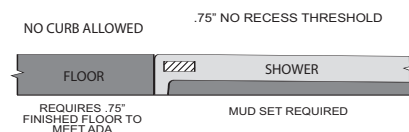
Premium Cast Acrylic

Five Year Warranty

Primary Applications:

- Healthcare
- College Dormitory
- Hospitality
- Schools

ADA Roll-In Threshold Requirements:



701A

rev. 09/25/07

A 6436 I

OD: 64.5" x 36.25" x 82.75"

ID: 60" x 36" CENTER POINT

WEIGHT: 255

LOAD FACTOR: 2

HANDED BY: CENTER DRAIN OR SEAT L/R



Hamilton Bathware/Praxis Companies, LLC.

435 Industrial Road, Savannah • Tennessee 38372 • Customer Service: 800.326.5489 • Fax: 888.246.0466 • www.hamiltonbathware.com

Product Availability
Hamilton Northeast
XLT-EXTENDED LEADTIME

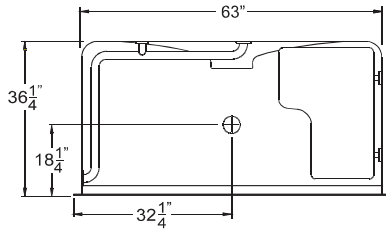
Product Availability
Hamilton Mid-America

Product Availability
Hamilton South

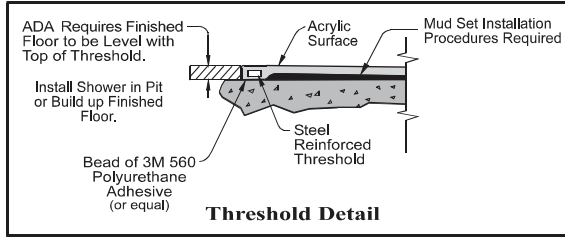
STD-STANDARD LEADTIME

PACKAGE ONE - ADA/ANSI A 6436 IBS

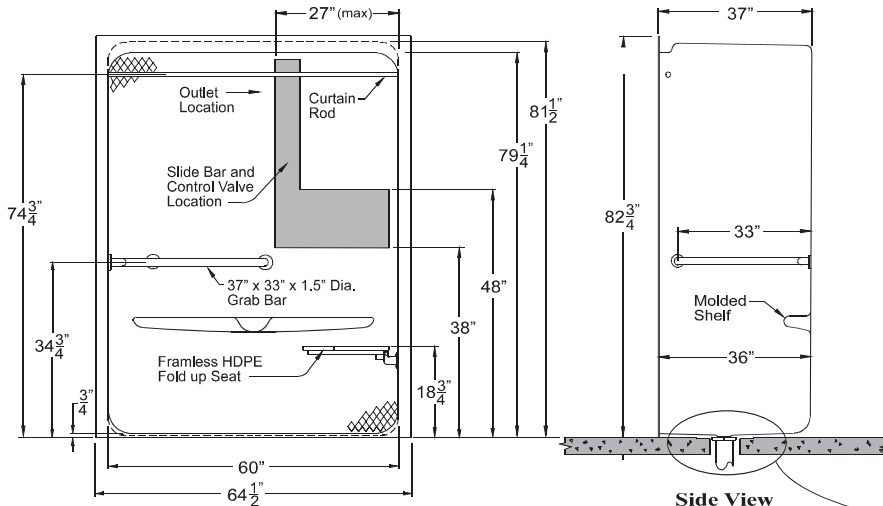
No modifications accepted (Packaged units only)



Top View



Threshold Detail



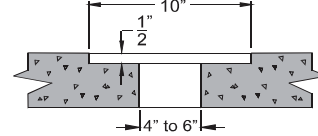
Front View

Side View

DETAIL OF DRAIN CORE AREA

4" To 6" Diameter Drain Core Through Slab.

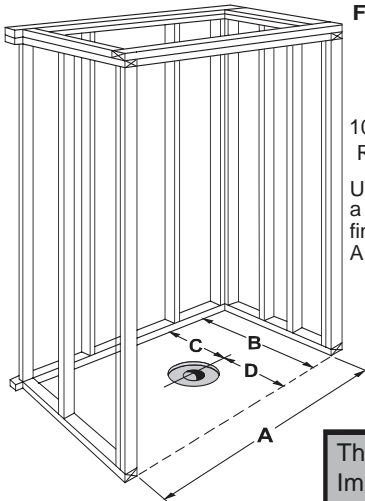
10" Diameter x 1/2" Deep Recess Around Core



NOTE: Due to the nature of the materials, dimension may vary + - 1/2".

ADA COMPLIANCE REQUIREMENTS

For ADA compliance with seat: Installed accessories must include: L-shaped fold up seat, horizontal L-grab bar, pressure balancing mixing valve, hand held shower with slide bar (on back wall within reach of seated user), vacuum breaker and 60" hose. Unit and accessories must be installed per ADA and Praxis guidelines.



FRAMING DIMENSIONS

A	B	C	D
64 ³ / ₄ "	37"	18"	18 ¹ / ₄ "

10" Diameter x 1/2" Deep Recess Around Drain Core

Unit must be installed into a recessed pit -or- build up finished floor to comply with ADA threshold guidelines.

STANDARD FEATURES

- Durable cast acrylic finish
- Low threshold entry
- Molded accessory shelf
- Integral dome
- HDPE fold up seat
- Stainless steel grab bar
- Stainless steel curtain rod

STANDARD CODES

- ANSI Z124.2
- ASTM F463
- ASTM E84
- SBCCI
- NAHB
- UPC

ADA CODES

- ICC/ANSI A117.1
- HUD/ADA
- UFAS

(when fully equipped)
Unit configured with standard features, pressure balanced control valve and hand held shower package.

Confirm any requested loose accessories desired by circling the items on page one.

Submittal drawing required for Prepackaged model. **NO MODIFICATIONS ACCEPTED.**

All built to order model configurations and submittal drawings must be ordered.

UPC/SKU NUMBERS Left Hand Valve: _____ Right Hand Valve: _____

This model included in the **PRAXIS QUALITY INSTALLATION ASSURANCE PROGRAM.** Important installation procedures **MUST** be followed for the fixture to be granted a warranty.

ATTENTION PLUMBING CONTRACTOR!!! THIS ORDER WILL NOT BE PROCESSED UNLESS THIS DOCUMENT IS SIGNED, DATED AND A CONTACT PHONE NUMBER OF THE PLUMBING CONTRACTOR IS PROVIDED. FOR ORDERS OF FOUR OR MORE UNITS, PARTICIPATION IN THE PRAXIS QUALITY INSTALLATION ASSURANCE PROGRAM IS MANDATORY FOR ACTIVATION OF PRODUCT WARRANTY.

Signed: Date: Contact Phone Number:

Praxis Quality Installation Assurance Program Information: Phone: (800)-759-7744 ext: 29.

Customer Service: (800)-443-7269 Fax: (731)-925-0379

Commercial Showers & Tub Showers

64" Acrylic Shower



Hamilton
BATHWARE

TAS Roll-In Showers ONE-PIECE DOMED ACRYLIC

701B- NO MODIFICATIONS TO PACKAGES. FOR BUILT TO ORDER UNIT, SELECT BASE UNIT AND ACCESSORIES.

PKG ONE-TAS: A 6436 IBS TAS	List: \$3219
.75" NO RECESS BF THRESHOLD	MUDSET
Handed by SEAT L/R	WHITE PREMIUM CAST ACRYLIC
Factory Installed Accessories (VALVE/SHOWER KIT NOT INCLUDED IN PKG1)	
L-BAR	37" x 33" x 1.5" SMOOTH SS RADIUS
SEAT	34.5" X 21" FRAMELESS WHITE HDPE RAD FOLD UP
ROD	1" OD 20 GAUGE SS GROMMET STYLE

FOR TAS COMPLIANCE WITH SEAT: INSTALLED ACCESSORIES MUST INCLUDE: L-BAR, 34.5" L-SEAT, PRESSURE BALANCING MIXING VALVE, HAND HELD SHOWER WITH SLIDE BAR (BACK WALL, WITH IN REACH OF SEATED USER), VACUUM BREAKER & 60" HOSE. UNIT & ACCESSORIES INSTALLED PER TAS & PRACTICE INSTALLATION & WARRANTY GUIDELINES.

BUILD TO ORDER BASE PLUS ACCESSORIES

BASE UNIT 1: A 6436 I TAS	List: \$2185
SPECIFY THRESHOLD HEIGHT	MUDSET
Handed by SEAT L/R OR CENTER	
Reinforced for Standard Accessories	

BASE UNIT OPTIONAL ACCESSORIES

FINISHES	List:
STANDARD FINISH- PREMIUM CAST ACRYLIC: WHITE, BONE, BISCUIT	\$0

GRAB BARS	
L-BAR	37" x 33" x 1.5" SMOOTH SS RADIUS \$216
L-BAR	37" x 33" x 1.25" SMOOTH WHITE RADIUS \$335

FULL DEPTH OF STALL SEATS (ADAAG 1991-2002)	
SEAT	34.5" X 21" FRAMELESS WHITE HDPE RAD FOLD UP \$747
SEAT	34.5" X 21" FRAMELESS WHITE PADDED RAD FOLD UP \$747
SEAT	34.5" X 21" FRAMELESS WOODGRAIN PHENOLIC RAD FOLD UP \$747

FACTORY MODIFICATIONS	
MOD	VALVE DRILLING - SPECIFY HOLE SIZE \$56
MOD	INSTALL STANDARD SYMMONS VALVE PACKAGE \$633
MOD	INSTALL HANS GROHE THERMOSTATIC VALVE PACKAGE (XLT) \$501
MOD	INSTALL POWERS VALVE PACKAGE (XLT) \$656
MOD	INSTALL 30" SLIDE BAR / HS KIT \$411
MOD	2" BF THRESHOLD \$0
MOD	.75" NO RECESS BF THRESHOLD \$111
MOD	ARMORSHIELD P3 PROTECTION \$149

CURTAIN RODS	
ROD	1" OD 20 GAUGE SS GROMMET STYLE \$71
ROD	1" OD 20 GAUGE WHITE GROMMET STYLE \$138

FIELD INSTALLED ACCESSORIES	
LOOSE	CURTAIN PREMIUM 66" X 72" WHITE NYLON WTD \$180
LOOSE	CURTAIN HEAVY DUTY 66" X 72" WHITE VINYL WTD \$119

ADDITIONAL ACCESSORIES AND SERVICES MAY BE AVAILABLE UPON REQUEST

Special Notes: This unit complies with TAS, ANSI Z124.2, ICC/ANSI A117.1, UPC, HUD, ASTM F462, ASTM E84, ADA, ABA, BOCA, SBCCI, NAHB.

Warranty: Gelcoat models have a 3 year limited warranty. Acrylic models have a 5 year limited warranty. Pumps, parts, and accessories 1 year limited warranty. For further details please refer to the complete warranty section.

Due to the nature of the materials, dimensions may vary +/- 1/2".

DRAWING REQUEST MUST BE MADE FOR PACKAGE 2 DRAWING AND BUILT TO ORDER UNITS.



A 6436 IBS TAS

PHOTOGRAPH AT LEFT ILLUSTRATES PACKAGE ONE (HANDED BY SEAT LEFT)

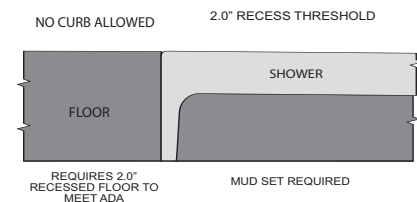
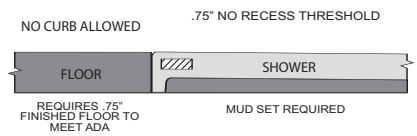
Premium Cast Acrylic

Five Year Warranty

Primary Applications:

- Healthcare
- College Dormitory
- Hospitality
- Schools

TAS Roll-In Shower Threshold Requirements:



701B

rev. 09/25/07

A 6436 I TAS

OD: 64.5" x 36.25" x 82.75"

ID: 60" x 36" CENTER POINT

WEIGHT: 255

LOAD FACTOR: 2

HANDED BY: SEAT L/R OR CENTER



Hamilton Bathware/Praxis Companies, LLC.

435 Industrial Road, Savannah • Tennessee 38372 • Customer Service: 800.326.5489 • Fax: 888.246.0466 • www.hamiltonbathware.com

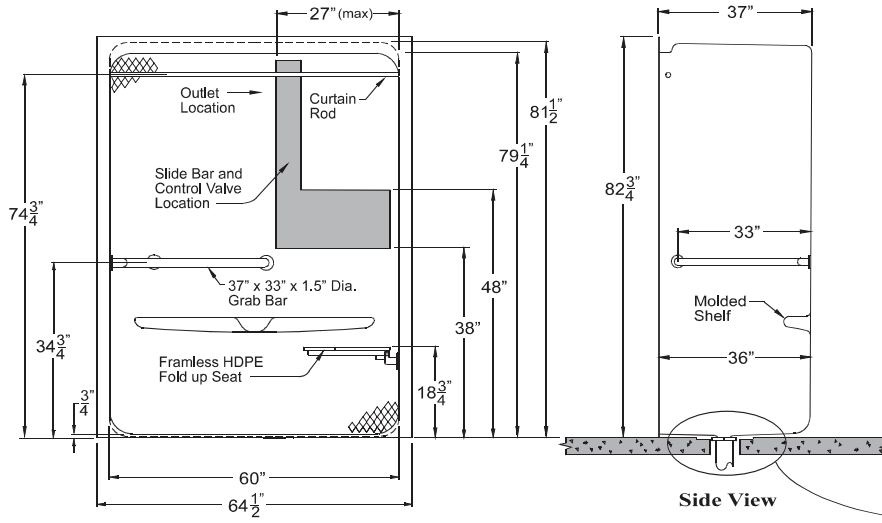
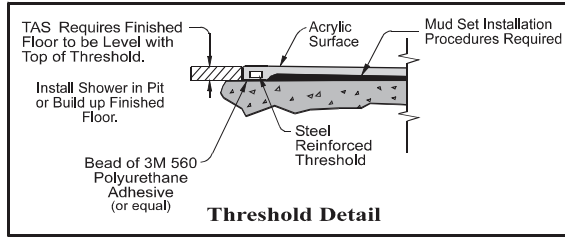
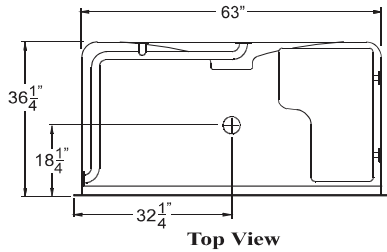
Product Availability
Hamilton Northeast
XL-EXTENDED LEADTIME

Product Availability
Hamilton Mid-America
Download www.somanuals.com **All Manuals Search And Download**

Product Availability
Hamilton South
STD-STANDARD LEADTIME

PACKAGE ONE - TAS A 6436 IBS TAS

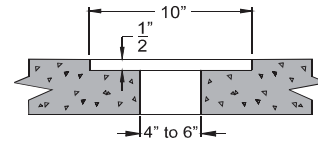
No modifications accepted (Packaged units only)



DETAIL OF DRAIN CORE AREA

4" To 6" Diameter Drain Core Through Slab.

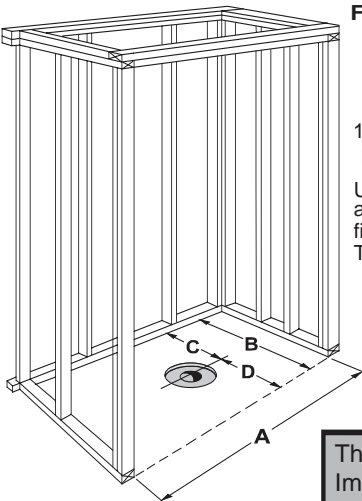
10" Diameter x 1/2" Deep Recess Around Core



NOTE: Due to the nature of the materials, dimension may vary +/- 1/2".

TAS COMPLIANCE REQUIREMENTS

For TAS compliance with seat: Installed accessories must include: L-shaped fold up seat, horizontal L-grab bar, pressure balancing mixing valve, hand held shower with slide bar (on back wall within reach of seated user), vacuum breaker and 60" hose. Unit and accessories must be installed per TAS and Praxis guidelines.



FRAMING DIMENSIONS

A	B	C	D
64 3/4"	37"	18"	18 1/4"

10" Diameter x 1/2" Deep Recess Around Drain Core

Unit must be installed into a recessed pit -or- build up finished floor to comply with TAS threshold guidelines.

STANDARD FEATURES

- Durable cast acrylic finish
- Low threshold entry
- Molded accessory shelf
- Integral dome
- HDPE fold up seat
- Stainless steel grab bars
- Stainless steel curtain rod

STANDARD CODES

- ANSI Z124.2
- ASTM F463
- ASTM E84
- SBCCI
- NAHB
- UPC

TEXAS ACCESSIBILITY STANDARD CODE

- TAS
- ICC/ANSI A117.1
- HUD/ADA
- UFAS

(when fully equipped)
Unit configured with standard features, pressure balanced control valve and hand held shower package.

Confirm any requested loose accessories desired by circling the items on page one.

Submittal drawing required for Prepackaged model. **NO MODIFICATIONS ACCEPTED.**

All built to order model configurations and submittal drawings must be ordered.

UPC/SKU NUMBERS Left Hand Valve: _____ Right Hand Valve: _____

This model included in the **PRAXIS QUALITY INSTALLATION ASSURANCE PROGRAM.** Important installation procedures **MUST** be followed for the fixture to be granted a warranty.

ATTENTION PLUMBING CONTRACTOR!!! THIS ORDER WILL NOT BE PROCESSED UNLESS THIS DOCUMENT IS SIGNED, DATED AND A CONTACT PHONE NUMBER OF THE PLUMBING CONTRACTOR IS PROVIDED. FOR ORDERS OF FOUR OR MORE UNITS, PARTICIPATION IN THE PRAXIS QUALITY INSTALLATION ASSURANCE PROGRAM IS MANDATORY FOR ACTIVATION OF PRODUCT WARRANTY.

Signed: Date: Contact Phone Number:

Praxis Quality Installation Assurance Program Information: Phone: (800)-759-7744 ext: 29.

Customer Service: (800)-443-7269 Fax: (731)-925-0379

Commercial Showers & Tub Showers

64" Acrylic Shower



Hamilton
BATHWARE

MAS Roll-In Showers ONE-PIECE DOMED ACRYLIC

701C- NO MODIFICATIONS TO PACKAGES. FOR BUILT TO ORDER UNIT, SELECT BASE UNIT AND ACCESSORIES.	
PKG ONE-MAS: A 6436 IBS MAS	List: \$3243
.75" NO RECESS BF THRESHOLD	MUDSET
Handed by Seat L/R	WHITE PREMIUM CAST ACRYLIC
Factory Installed Accessories (VALVE/SHOWER KIT NOT INCLUDED IN PKG1)	
L-BAR	37" x 33" x 1.25" PEENED SS RADIUS
SEAT	32" X 21" FRAMELESS WHITE PADDED RAD FOLD UP
ROD	1" OD 20 GAUGE SS GROMMET STYLE
FOR MAS COMPLIANCE WITH SEAT: NO CURB ALLOWED, INSTALLED ACCESSORIES MUST INCLUDE: PEENED OR TEXTURED L-BAR, PADDED L-SEAT, PRESSURE BALANCING MIXING VALVE, HAND HELD SHOWER WITH SLIDE BAR (BACK WALL, WITH IN REACH OF SEATED USER), VACUUM BREAKER AND 60" HOSE. UNIT AND ACCESSORIES INSTALLED PER MAS & PRAXIS INSTALLATION & WARRANTY GUIDELINES.	
BUILD TO ORDER BASE PLUS ACCESSORIES	
BASE UNIT 1: A 6436 I MAS	List: \$2187
SPECIFY THRESHOLD HEIGHT	MUDSET
Handed by SEAT L/R	
Reinforced for Standard Accessories	
BASE UNIT OPTIONAL ACCESSORIES	List:
FINISHES	
STANDARD FINISH- PREMIUM CAST ACRYLIC: WHITE, BONE, BISCUIT	\$0
GRAB BARS	
L-BAR	37" x 33" x 1.25" PEENED SS RADIUS \$237
L-BAR	37" x 33" x 1.25" TEXTURED WHITE RADIUS \$342
INSIDE CURTAIN LINE SEATS (REVISED ADA-ABA 2004)	
SEAT	32" X 21" FRAMELESS WHITE PADDED RAD FOLD UP \$747
SEAT	32" X 14.5" WHITE PADDED W/LEGS (Bariatrics) \$1281
FACTORY MODIFICATIONS	
MOD	VALVE DRILLING - SPECIFY HOLE SIZE \$56
MOD	INSTALL STANDARD SYMMONS VALVE PACKAGE \$633
MOD	INSTALL HANS GROHE THERMOSTATIC VALVE PACKAGE (XLT) \$501
MOD	INSTALL POWERS VALVE PACKAGE (XLT) \$656
MOD	INSTALL 30" SLIDE BAR / HS KIT \$411
MOD	2" BF THRESHOLD \$0
MOD	.75" NO RECESS BF THRESHOLD \$111
MOD	ARMORSHIELD P3 PROTECTION \$149
CURTAIN RODS	
ROD	1" OD 20 GAUGE SS GROMMET STYLE \$71
ROD	1" OD 20 GAUGE WHITE GROMMET STYLE \$138
FIELD INSTALLED ACCESSORIES	
LOOSE	CURTAIN PREMIUM 66" X 72" WHITE NYLON WTD \$180
LOOSE	CURTAIN HEAVY DUTY 66" X 72" WHITE VINYL WTD \$119

ADDITIONAL ACCESSORIES AND SERVICES MAY BE AVAILABLE UPON REQUEST

Special Notes: This unit complies with MAS, ANSI Z124.2, NAHB, UPC, ASTM F462, ASTM E84.

Warranty: Gelcoat models have a 3 year limited warranty. Acrylic models have a 5 year limited warranty. Pumps, parts, and accessories 1 year limited warranty. For further details please refer to the complete warranty section.

Due to the nature of the materials, dimensions may vary +/- .1/2".

DRAWING REQUEST MUST BE MADE FOR PACKAGE 2 DRAWING AND BULIT TO ORDER UNITS.



A 6436 IBS MAS

PHOTOGRAPH AT LEFT ILLUSTRATES PACKAGE ONE (HANDED BY SEAT LEFT)

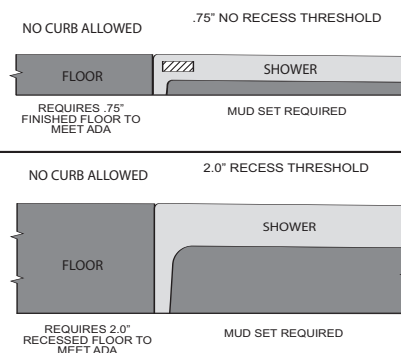
Premium Cast Acrylic

Five Year Warranty

Primary Applications:

- Healthcare
- College Dormitory
- Hospitality
- Schools

MAS Roll-In Shower Threshold Requirements:



701C rev. 09/25/07

A 6436 I MAS

OD: 64.5" x 36.25" x 82.75"

ID: 60" x 36" CENTER POINT

WEIGHT: 255

LOAD FACTOR: 2

HANDED BY: SEAT L/R



Hamilton Bathware/Praxis Companies, LLC.

435 Industrial Road, Savannah • Tennessee 38372 • Customer Service: 800.326.5489 • Fax: 888.246.0466 • www.hamiltonbathware.com

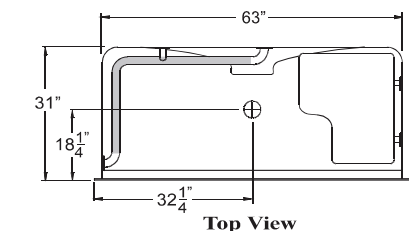
**Product Availability
Hamilton Northeast
XLT-EXTENDED LEADTIME**

**Product Availability
Hamilton Mid-America**

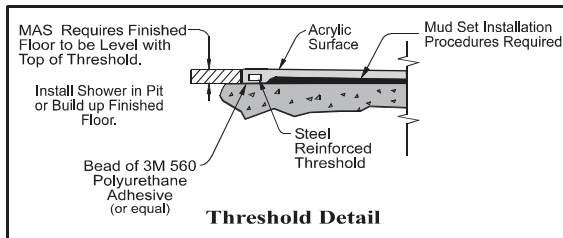
**Product Availability
Hamilton South
STD-STANDARD LEADTIME**

PACKAGE ONE - MAS A 6436 IBS MAS

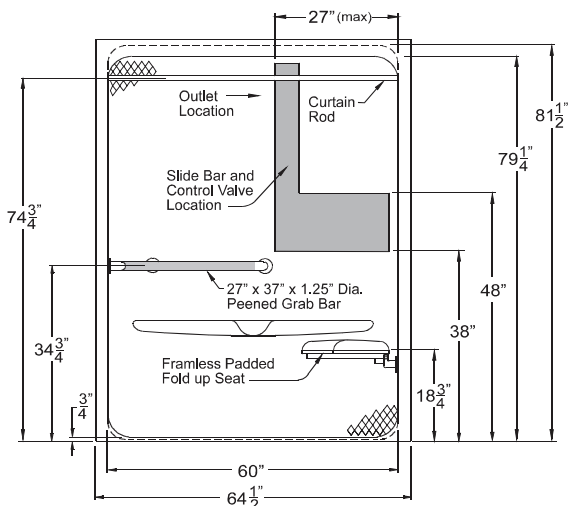
No modifications accepted (Packaged units only)



Top View

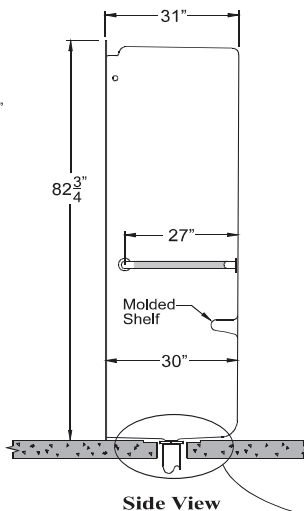


Threshold Detail



Front View

NOTE: Due to the nature of the materials, dimension may vary +/- 1/2".

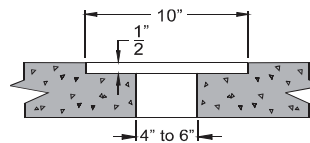


Side View

DETAIL OF DRAIN CORE AREA

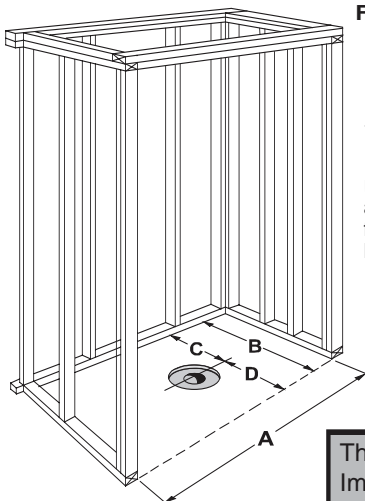
4" To 6" Diameter Drain Core Through Slab.

10" Diameter x 1/2" Deep Recess Around Core



MAS COMPLIANCE REQUIREMENTS

For MAS compliance with seat: Installed accessories must include: L-shaped padded fold up seat, horizontal L-grab bar, pressure balancing mixing valve, hand held shower with 30" slide bar (on back wall within reach of seated user), vacuum breaker and 60" hose. Unit and accessories must be installed per MAS and Praxis guidelines.



FRAMING DIMENSIONS

A	B	C	D
64 ³ / ₄ "	36 ¹ / ₄ "	18"	18 ¹ / ₄ "

10" Diameter x 1/2" Deep Recess Around Drain Core

Unit must be installed into a recessed pit -or- build up finished floor to comply with MAS threshold guidelines.

Confirm any requested loose accessories desired by circling the items on page one.

Submittal drawing required for Prepackaged model. **NO MODIFICATIONS ACCEPTED.**

All built to order model configurations and submittal drawings must be ordered.

UPC/SKU NUMBERS Left Hand Valve: _____ Right Hand Valve: _____

This model included in the **PRAXIS QUALITY INSTALLATION ASSURANCE PROGRAM.** Important installation procedures **MUST** be followed for the fixture to be granted a warranty.

STANDARD FEATURES

- Durable cast acrylic finish
- Low threshold entry
- Molded accessory shelf
- Integral dome
- Padded fold up seat
- Stainless steel grab bar
- Stainless steel curtain rod

STANDARD CODES

- ANSI Z124.2
- ASTM F463
- ASTM E84
- SBCCI
- NAHB
- UPC

MASSACHUSETTS ARCHITECTURAL ACCESS BOARD

- MAS

(when fully equipped)
Unit configured with standard features, pressure balanced control valve and hand held shower package.

ATTENTION PLUMBING CONTRACTOR!!! THIS ORDER WILL NOT BE PROCESSED UNLESS THIS DOCUMENT IS SIGNED, DATED AND A CONTACT PHONE NUMBER OF THE PLUMBING CONTRACTOR IS PROVIDED. FOR ORDERS OF FOUR OR MORE UNITS, PARTICIPATION IN THE PRAXIS QUALITY INSTALLATION ASSURANCE PROGRAM IS MANDATORY FOR ACTIVATION OF PRODUCT WARRANTY.

Signed: Date: Contact Phone Number:

Praxis Quality Installation Assurance Program Information: Phone: (800)-759-7744 ext: 29.

Customer Service: (800)-443-7269 Fax: (731)-925-0379

Commercial Showers & Tub Showers

60" Acrylic Tub Shower



Hamilton
BATHWARE

ADA Tub Showers ONE-PIECE DOMED ACRYLIC

702A- NO MODIFICATIONS TO PACKAGES. FOR BUILT TO ORDER UNIT, SELECT BASE UNIT AND ACCESSORIES.

PKG ONE-ADA/ANSI/TAS: A 6032 TS IBS		List: \$ 3016
18" Apron	SHIM	
Handed by Valve Wall L/R	WHITE PREMIUM CAST ACRYLIC	
Factory Installed Accessories (VALVE/SHOWER KIT NOT INCLUDED IN PKG1)		
S-BAR	24" X 1.5" SMOOTH SS	
S-BAR	24" X 1.5" SMOOTH SS	
S-BAR	24" X 1.5" SMOOTH SS	
S-BAR	24" X 1.5" SMOOTH SS	
S-BAR	24" X 1.5" SMOOTH SS	
ROD	1" OD 20 GAUGE SS GROMMET STYLE	
SEAT	27" X 15" WOODGRAIN PHENOLIC FOLD UP	

FOR ADA/ANSI/TAS COMPLIANCE: SEAT AT HEAD END OF TUB SHALL BE PROVIDED AND PERMANENTLY AND SECURELY MOUNTED, INSTALLED ACCESSORIES MUST INCLUDE: 24" VERTICAL GRAB BAR ON VALVE WALL, 24" GRAB BAR ON VALVE WALL, TWO 24" GRAB BARS ON BACK WALL, 12" MIN. GRAB BAR ON HEAD WALL, PRESSURE BALANCING MIXING VALVE, HAND HELD SHOWER WITH SLIDE BAR, VACUUM BREAKER AND 60" HOSE. UNIT AND ACCESSORIES INSTALLED PER ADA/ANSI/TAS AND PRAXIS INSTALLATION AND WARRANTY GUIDELINES.

BUILD TO ORDER BASE PLUS ACCESSORIES

BASE UNIT 1: A 6032 TS I		List: \$1824
18" Apron	SHIM	
Handed by Valve Wall L/R		
Reinforced for Standard Accessories		

BASE UNIT OPTIONAL ACCESSORIES		List:
FINISHES		
STANDARD FINISH- PREMIUM CAST ACRYLIC: WHITE, BONE, BISCUIT		\$0
GRAB BARS		
S-BAR	24" X 1.5" SMOOTH SS	\$128
S-BAR	24" X 1.25" SMOOTH WHITE	\$154
STANDARD SEATS (ATTACHED OR REMOVABLE)		
SEAT	27" X 15" WOODGRAIN PHENOLIC FOLD UP (NOT AVAILABLE WITH 48" S-BAR)	\$481
SEAT	28" X 15" WHITE TRI FOLD REMOVABLE	\$434
FACTORY MODIFICATIONS		
MOD	WHIRLPOOL SYSTEM WITH 3/4 HORSE POWER AND 4 JETS	\$562
MOD	VALVE DRILLING - SPECIFY HOLE SIZE	\$56
MOD	INSTALL STANDARD SYMMONS VALVE PACKAGE	\$633
MOD	INSTALL HANS GROHE THERMOSTATIC VALVE PACKAGE (XLT)	\$501
MOD	INSTALL POWERS VALVE PACKAGE (XLT)	\$656
MOD	INSTALL 30" SLIDE BAR / HS KIT	\$411
MOD	1.5" STANDARD ROUGH (17" APRON)	\$56
CURTAIN RODS		
ROD	1" OD 20 GAUGE SS GROMMET STYLE	\$71
ROD	1" OD 20 GAUGE WHITE GROMMET STYLE	\$138
ROD	5'x 1" OD 20 GAUGE CHROME CURVED WITH BRACKETS	\$148
FIELD INSTALLED ACCESSORIES		
LOOSE	CURTAIN HEAVY DUTY 66" X 72" WHITE VINYL	\$119

ADDITIONAL ACCESSORIES AND SERVICES MAY BE AVAILABLE UPON REQUEST



A 6032 TS IBS

PHOTOGRAPH AT LEFT ILLUSTRATES PACKAGE ONE (HANDED BY VALVE WALL RIGHT)

Premium Cast Acrylic

Five Year Warranty

Primary Applications:

- Healthcare
- College Dormitory
- Hospitality
- Schools

WELL INFORMATION

WELL DEPTH: 12"
WELL L TO R: 48"
WELL FRONT TO BACK: 22.5"
GALLONS TO OVERFLOW: 62
SLOPE OF DRAIN: .375" per ft.

702A

rev. 09/25/07

A 6032 TS I

OD: 60" x 33" x 84"
2.5" ABOVE FLOOR ROUGH
WEIGHT: 225
LOAD FACTOR: 1.26
HANDED BY: VALVE WALL L/R

Special Notes: This unit complies with ANSI Z124.1, ICC/ANSI A117.1, UPC, HUD,ASTM F462, ASTM E84, ADA, ABA, SBCCI, NAHB.

Warranty: Gelcoat models have a 3 year limited warranty. Acrylic models have a 5 year limited warranty. Pumps, parts, and accessories 1 year limited warranty. For further details please refer to the complete warranty section.

Due to the nature of the materials, dimensions may vary +/- 1/2".

DRAWING REQUEST MUST BE MADE FOR PACKAGE 2 DRAWING AND BUILT TO ORDER UNITS.

Hamilton Bathware/Praxis Companies, LLC.

435 Industrial Road, Savannah • Tennessee 38372 • Customer Service: 800.326.5489 • Fax: 888.246.0466 • www.hamiltonbathware.com



Product Availability
Hamilton Northeast
XLT-EXTENDED LEADTIME

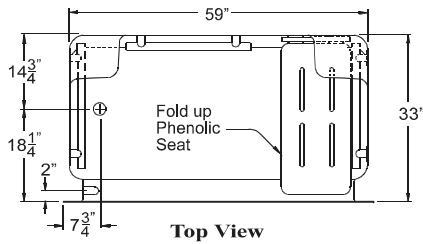
Product Availability
Hamilton Mid-America

Product Availability
Hamilton South
STD-STANDARD LEADTIME

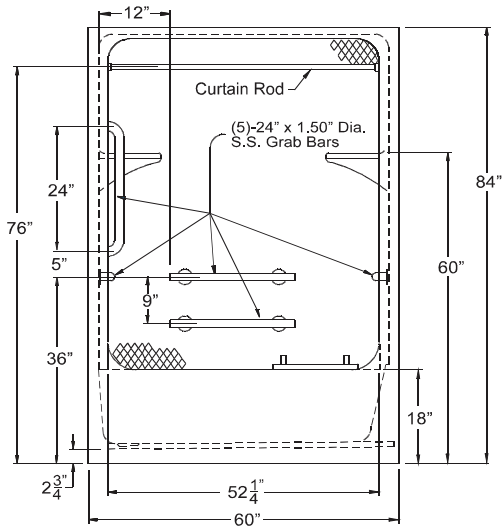
Download from www.Somanuals.com All Manuals Search And Download

PACKAGE ONE - ADA/ANSI/TAS A 6032 TS IBS

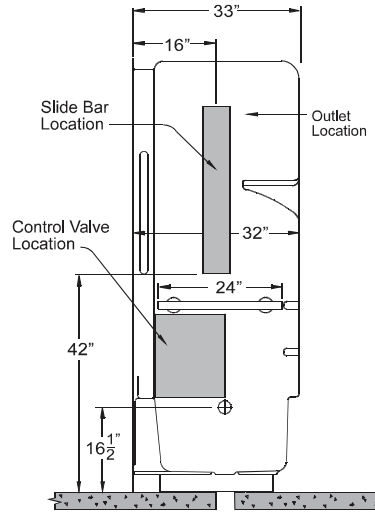
No modifications accepted (Packaged units only)



Top View



Front View

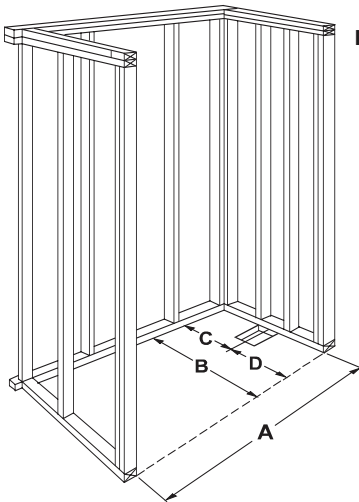


Side View

NOTE: Due to the nature of the materials, dimension may vary + - 1/2".

ADA/TAS COMPLIANCE REQUIREMENTS

For ADA/TAS compliance: seat securely mounted at head end, one horizontal grab bar mounted on the valve wall, two horizontal grab bars mounted on the back wall, one horizontal grab bar mounted on the head wall and one vertical grab bar mounted on the valve wall near the entry. Pressure balancing mixing valve, hand held shower with slide bar, vacuum breaker and 60" hose. Unit and accessories must be installed per ADA/TAS and Praxis guidelines.



FRAMING DIMENSIONS

A	B	C	D
60 $\frac{1}{4}$ "	33"	14 $\frac{3}{4}$ "	18 $\frac{1}{4}$ "

6" x 6" minimum opening in floor for drain connection

STANDARD FEATURES

- Durable acrylic finish
- One piece design
- Accessory shelves
- Phenolic fold up seat
- Stainless steel grab bars
- Stainless steel curtain rod

STANDARD CODES

- ANSI Z124.1
- ASTM F463
- ASTM E84
- SBCCI
- NAHB
- UPC

ADA CODES

- ICC/ANSI A117.1
- HUD/ADA
- UFAS
- TAS

(when fully equipped)
Unit configured with standard features, pressure balanced control valve and hand held shower package.

Confirm any requested loose accessories desired by circling the items on page one. Submittal drawing required for Prepackaged model. **NO MODIFICATIONS ACCEPTED.** All built to order model configurations and submittal drawings must be ordered.

UPC/SKU NUMBERS Left Hand Valve: _____ Right Hand Valve: _____

ATTENTION PLUMBING CONTRACTOR!!! THIS ORDER WILL NOT BE PROCESSED UNLESS THIS DOCUMENT IS SIGNED, DATED AND A CONTACT PHONE NUMBER OF THE PLUMBING CONTRACTOR IS PROVIDED.

Signed: Date: Contact Phone Number:

Customer Service: (800)-443-7269 Fax: (731)-925-0379

Commercial Showers & Tub Showers

60" Acrylic Tub Shower



Hamilton
BATHWARE

MAS Tub Showers ONE-PIECE DOMED ACRYLIC

702B- NO MODIFICATIONS TO PACKAGES. FOR BUILT TO ORDER UNIT, SELECT BASE UNIT AND ACCESSORIES.		
PKG ONE-MAS: A 6032 TS IBS MAS		List: \$2569
18" Apron	SHIM	
Handed by Valve Wall L/R	WHITE PREMIUM CAST ACRYLIC	
Factory Installed Accessories (VALVE/SHOWER KIT NOT INCLUDED IN PKG1)		
S-BAR	48" X 1.25" PEENED SS	
S-BAR	48" X 1.25" PEENED SS	
SEAT	28" X 15" WHITE TRI FOLD REMOVABLE	
ROD	1" OD 20 GAUGE SS GROMMET STYLE	
FOR MAS COMPLIANCE: SEAT AT HEAD END OF TUB SHALL BE PROVIDED AND SECURELY MOUNTED, INSTALLED ACCESSORIES MUST INCLUDE: TWO 48" GRAB BARS ON BACK WALL, PRESSURE BALANCING MIXING VALVE, HAND HELD SHOWER WITH SLIDE BAR, VACUUM BREAKER AND 60" HOSE. THE UNIT AND ACCESSORIES MUST BE INSTALLED PER MAS & PRAXIS INSTALLATION & WARRANTY GUIDELINES.		
BUILD TO ORDER BASE PLUS ACCESSORIES		
BASE UNIT 1: A 6032 TS I MAS		List: \$1785
18" Apron	SHIM	
Handed by Valve Wall L/R		
Reinforced for Standard Accessories		
BASE UNIT OPTIONAL ACCESSORIES		List:
FINISHES		
STANDARD FINISH- PREMIUM CAST ACRYLIC: WHITE, BONE, BISCUIT		\$0
GRAB BARS		
S-BAR	48" X 1.25" PEENED SS	\$139
S-BAR	48" X 1.25" TEXTURED WHITE	\$329
STANDARD SEATS (REMOVABLE)		
SEAT	28" X 15" WHITE TRI FOLD REMOVABLE	\$434
FACTORY MODIFICATIONS		
MOD	WHIRLPOOL SYSTEM WITH 3/4 HORSE POWER AND 4 JETS	\$562
MOD	VALVE DRILLING - SPECIFY HOLE SIZE	\$56
MOD	INSTALL STANDARD SYMMONS VALVE PACKAGE	\$633
MOD	INSTALL HANS GROHE THERMOSTATIC VALVE PACKAGE (XLT)	\$501
MOD	INSTALL POWERS VALVE PACKAGE (XLT)	\$656
MOD	INSTALL 30" SLIDE BAR / HS KIT	\$411
MOD	1.5" STANDARD ROUGH (17" APRON)	\$56
FIELD INSTALLED ACCESSORIES		
LOOSE	CURTAIN HEAVY DUTY 66" X 72" WHITE VINYL	\$119
CURTAIN RODS		
ROD	1" OD 20 GAUGE SS GROMMET STYLE	\$71
ROD	1" OD 20 GAUGE WHITE GROMMET STYLE	\$138
ROD	5" x 1" OD 20 GAUGE CHROME CURVED WITH BRACKETS	\$148
ADDITIONAL ACCESSORIES AND SERVICES MAY BE AVAILABLE UPON REQUEST		

Special Notes: This unit complies with MAS, ANSI Z124.1, UPC, NAHB, ASTM F462, ASTM E84.

Warranty: Gelcoat models have a 3 year limited warranty. Acrylic models have a 5 year limited warranty. Pumps, parts, and accessories 1 year limited warranty. For further details please refer to the complete warranty section.

Due to the nature of the materials, dimensions may vary +/- 1/2".

DRAWING REQUEST MUST BE MADE FOR PACKAGE 2 DRAWING AND BUILT TO ORDER UNITS.



A 6032 TS IBS MAS

PHOTOGRAPH AT LEFT ILLUSTRATES PACKAGE ONE (HANDED BY VALVE WALL RIGHT)

Premium Cast Acrylic

Five Year Warranty

Primary Applications:

- Healthcare
- College Dormitory
- Hospitality
- Schools
- Assisted Living

WELL INFORMATION

WELL DEPTH: 12"
WELL L TO R: 48"
WELL FRONT TO BACK: 22.5"
GALLONS TO OVERFLOW: 62
SLOPE OF DRAIN: .375" per ft.

702B

rev. 09/25/07

A 6032 TS IBS MAS

OD: 60" x 33" x 84"

2.5" ABOVE FLOOR ROUGH

WEIGHT: 225

LOAD FACTOR: 1.26

HANDED BY: VALVE WALL L/R



Hamilton Bathware/Praxis Companies, LLC.

435 Industrial Road, Savannah • Tennessee 38372 • Customer Service: 800.326.5489 • Fax: 888.246.0466 • www.hamiltonbathware.com

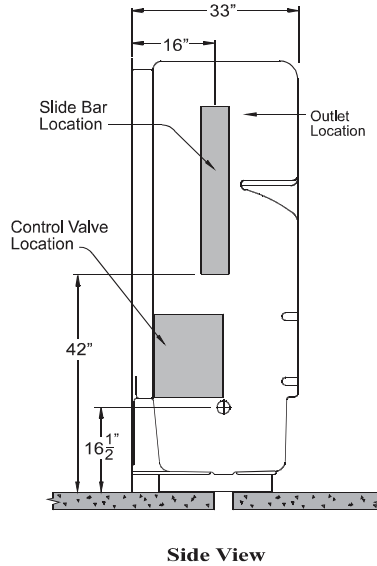
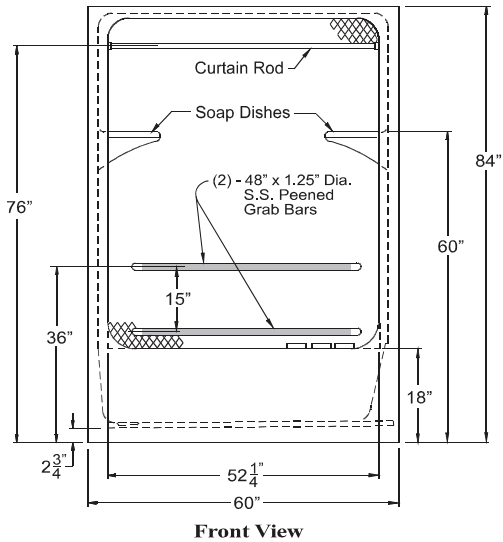
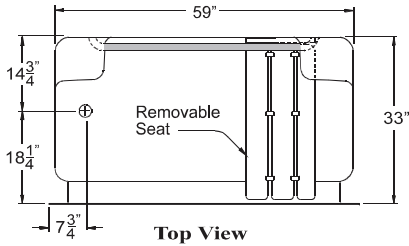
Product Availability
Hamilton Northeast
XL-EXTENDED LEADTIME

Product Availability
Hamilton Mid-America
STD-STANDARD LEADTIME

Product Availability
Hamilton South
STD-STANDARD LEADTIME

PACKAGE ONE - MAS S 6032 TS MAS

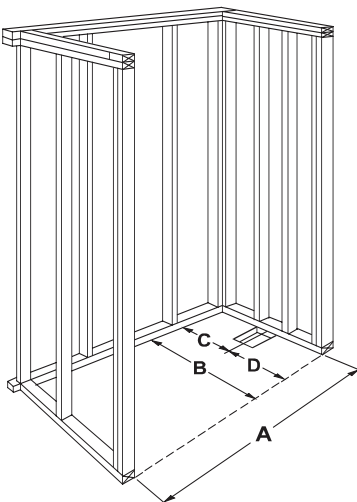
No modifications accepted (Packaged units only)



NOTE: Due to the nature of the materials, dimension may vary +/- 1/2".

MAS COMPLIANCE REQUIREMENTS

For MAS compliance installed accessories must include: Removable seat at head end, two peened horizontal grab bars on the back wall, pressure balancing mixing valve, hand held shower with 30" slide bar, vacuum breaker and 60" hose. Unit and accessories must be installed per MAS and Praxis guidelines.



FRAMING DIMENSIONS

A	B	C	D
60 1/4"	33"	14 3/4"	18 1/4"

6" x 6" minimum opening in floor for drain connection

STANDARD FEATURES

- Durable acrylic finish
- One piece design
- Accessory shelves
- Removable seat
- Stainless steel grab bars
- Stainless steel curtain rod

STANDARD CODES

- ANSI Z124.1
- ASTM F463
- ASTM E84
- SBCCI
- NAHB
- UPC

MASSACHUSETTS ARCHITECTURAL ACCESS BOARD

- MAS

(when fully equipped)
Unit configured with standard features, pressure balanced control valve and hand held shower package.

Confirm any requested loose accessories desired by circling the items on page one. Submittal drawing required for Prepackaged model. **NO MODIFICATIONS ACCEPTED.** All built to order model configurations and submittal drawings must be ordered.

UPC/SKU NUMBERS Left Hand Valve: _____ Right Hand Valve: _____

ATTENTION PLUMBING CONTRACTOR!!! THIS ORDER WILL NOT BE PROCESSED UNLESS THIS DOCUMENT IS SIGNED, DATED AND A CONTACT PHONE NUMBER OF THE PLUMBING CONTRACTOR IS PROVIDED.

Signed: Date: Contact Phone Number:

Customer Service: (800)-443-7269 Fax: (731)-925-0379

Commercial Showers & Tub Showers

41" Acrylic Shower



Hamilton
BATHWARE

ADA Transfer Showers ONE-PIECE DOMED ACRYLIC

703A- NO MODIFICATIONS TO PACKAGES. FOR BUILT TO ORDER UNIT, SELECT BASE UNIT AND ACCESSORIES.	
PKG ONE - ADA/ANSI: A 4136 IBS	List: \$2874
.75" NO RECESS BF THRESHOLD	MUDSET
Handed by Valve Wall L/R	WHITE PREMIUM CAST ACRYLIC
Factory Installed Accessories (VALVE/SHOWER KIT NOT INCLUDED IN PKG1)	
L-BAR	33.5" x 18" x 1.5" SMOOTH SS RADIUS
S-BAR	24" x 1.5" SMOOTH SS
SEAT	32" X 21" FRAMELESS HDPE RAD FOLD UP
ROD	1" OD 20 GAUGE SS GROMMET STYLE
FOR ADA COMPLIANCE, INSTALLED ACCESSORIES MUST INCLUDE L-BAR AND VERTICAL S-BAR, L-SEAT, PRESSURE BALANCING MIXING VALVE, HAND-HELD SHOWER WITH SLIDE BAR, VACUUM BREAKER AND 60" HOSE. UNIT AND ACCESSORIES INSTALLED PER ADA/ANSI AND PRAXIS INSTALLATION & WARRANTY GUIDELINES.	
BUILD TO ORDER BASE PLUS ACCESSORIES	
BASE UNIT 1: A 4136 I	List: \$1741
SPECIFY THRESHOLD HEIGHT	MUDSET
Handed by Valve Wall L/R	
Reinforced for Standard Accessories	
BASE UNIT OPTIONAL ACCESSORIES	List:
FINISHES	
STANDARD FINISH- PREMIUM CAST ACRYLIC: WHITE, BONE, BISCUIT	\$0
GRAB BARS	
S-BAR	24" x 1.5" SMOOTH SS \$128
S-BAR	24" x 1.25" SMOOTH WHITE CC \$154
L-BAR	33.5" x 18" x 1.5" SMOOTH SS RADIUS \$198
L-BAR	33.5" x 18" x 1.25" SMOOTH WHITE RADIUS \$343
INSIDE CURTAIN LINE SEATS (REVISED ADA-ABA 2004)	
SEAT	32" X 21" FRAMELESS WHITE HDPE RAD FOLD UP \$747
SEAT	32" X 21" FRAMELESS WHITE PADDED RAD FOLD UP \$747
SEAT	32" X 21" FRAMELESS WOODGRAIN PHENOLIC RAD FOLD UP \$747
SEAT	32" X 14.5" PADDED W/LEGS (Bariatrics) \$1281
SEAT	ACRYLIC MOLDED SEAT \$100
FACTORY MODIFICATIONS	
MOD	VALVE DRILLING - SPECIFY HOLE SIZE \$56
MOD	.75" NO RECESS BF THRESHOLD \$111
MOD	2" BF THRESHOLD \$0
MOD	ARMORSHIELD P3 PROTECTION \$149
MOD	INSTALL 30" SLIDE BAR / HS KIT \$411
MOD	INSTALL STANDARD SYMMONS VALVE PACKAGE \$633
MOD	INSTALL HANS GROHE THERMOSTATIC VALVE PACKAGE (XLT) \$501
MOD	INSTALL POWERS VALVE PACKAGE (XLT) \$656
MOD	RECESSED RECEIVER FLANGE-WILL ADD 2" TO OVERALL PRODUCT WIDTH \$222
CURTAIN RODS	
ROD	1" OD 20 GAUGE SS GROMMET STYLE \$71
ROD	1" OD 20 GAUGE WHITE GROMMET STYLE \$138
FIELD INSTALLED ACCESSORIES	
LOOSE	CURTAIN PREMIUM 42" X 72" WHITE NYLON WTD \$118
LOOSE	CURTAIN HEAVY DUTY 42" X 72" WHITE VINYL WTD \$96
ADDITIONAL ACCESSORIES AND SERVICES MAY BE AVAILABLE UPON REQUEST	



A 4136 IBS

PHOTOGRAPH AT LEFT ILLUSTRATES PACKAGE ONE (HANDED BY VALVE WALL LEFT)

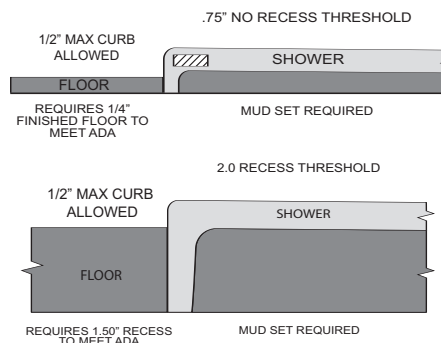
Premium Cast Acrylic

Five Year Warranty

Primary Applications:

- Healthcare
- College Dormitory
- Hospitality
- Schools
- Public Buildings

ADA Transfer Shower Threshold Requirements:



703A

rev. 09/25/07

A 4136 I

OD: 41.25" x 36.25" x 82.75"

ID: 36" X 36" CENTER POINT

WEIGHT: 160

LOAD FACTOR: 1.06

HANDED BY: VALVE WALL L/R

Special Notes: This unit complies with ANSI Z124.2, ICC/ANSI A117.1, ASTM F463, ASTM E84, UPC, HUD, ADA, ABA, SBCCI, NAHB.

Warranty: Gelcoat models have a 3 year limited warranty. Acrylic models have a 5 year limited warranty. Pumps, parts, and accessories 1 year limited warranty. For further details please refer to the complete warranty section.

Due to the nature of the materials, dimensions may vary +/- 1/2".

DRAWING REQUEST MUST BE MADE FOR PACKAGE 2 DRAWING AND BUILT TO ORDER UNITS.



Hamilton Bathware/Praxis Companies, LLC.

435 Industrial Road, Savannah • Tennessee 38372 • Customer Service: 800.326.5489 • Fax: 888.246.0466 • www.hamiltonbathware.com

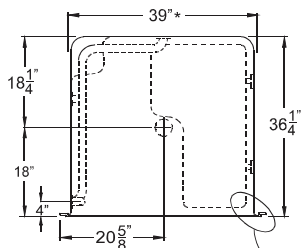
Product Availability
Hamilton Northeast
XL-EXTENDED LEADTIME

Product Availability
Hamilton Mid-America
Download www.somanuals.com **All Manuals Search And Download.**

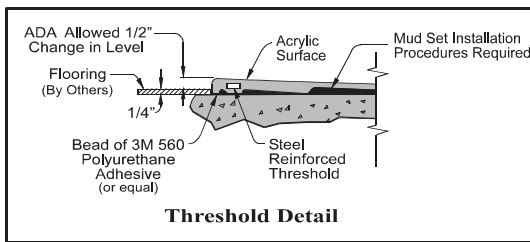
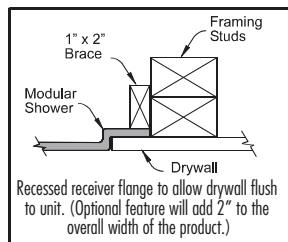
Product Availability
Hamilton South
STD-STANDARD LEADTIME

PACKAGE ONE - ADA/ANSI A 4136 IBS

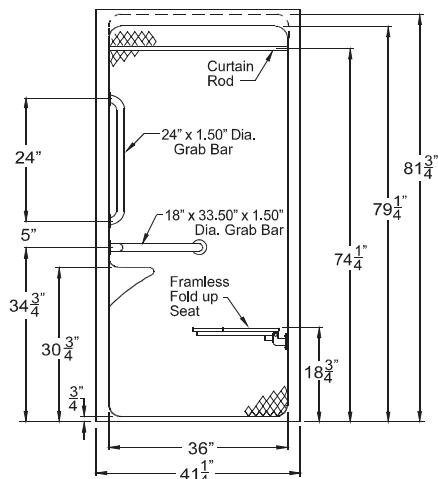
No modifications accepted (Packaged units only)



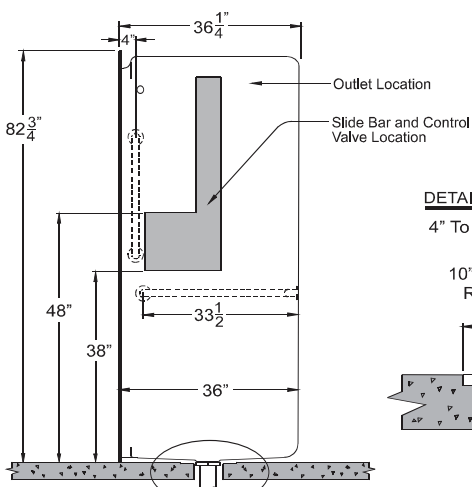
Top View



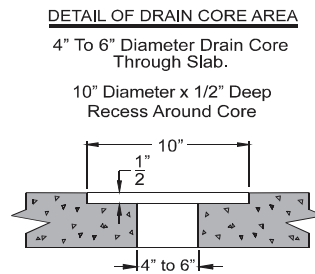
Threshold Detail



Front View



Side View

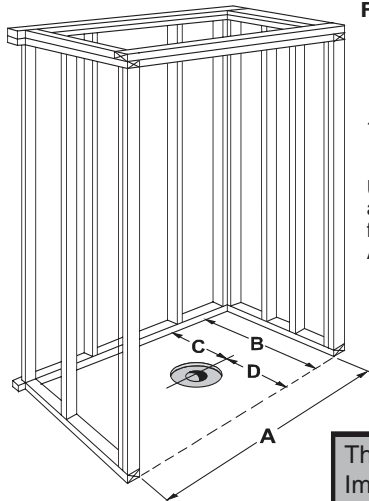


NOTE: Due to the nature of the materials, dimension may vary + - 1/2".

* For Bolt Clearance - Factory Installed Components

ADA COMPLIANCE REQUIREMENTS

For ADA compliance, unit must be configured with L-shaped fold up seat, horizontal L-grab bar, vertical grab bar near the entry, pressure balancing mixing valve, hand held shower with slide bar, vacuum breaker and 60" hose. Unit must be installed so threshold is no more than 1/2" above the finished floor. Unit and accessories must be installed per ADA and Praxis guidelines.



FRAMING DIMENSIONS

A*	B	C	D
41 1/2"	36 1/4"	18 1/4"	18"

10" Diameter x 1/2" Deep Recess Around Drain Core

Unit must be installed into a recessed pit -or- build up finished floor to comply with ADA threshold guidelines.

STANDARD FEATURES

- Durable cast acrylic finish
- Low threshold entry
- Corner accessory shelf
- Integral dome
- HDPE fold up seat
- Stainless steel grab bars
- Stainless steel curtain rod

STANDARD CODES

- ANSI Z124.2
- ASTM F463
- ASTM E84
- SBCCI
- NAHB
- UPC

ADA CODES

- ICC/ANSI A117.1
 - HUD/ADA
 - UFAS
- (when fully equipped)
Unit configured with standard features, pressure balanced control valve and hand held shower package.

Confirm any requested loose accessories desired by circling the items on page one. Submittal drawing required for Prepackaged model. **NO MODIFICATIONS ACCEPTED.** All built to order model configurations and submittal drawings must be ordered. *With optional recess receiver flange, add 2"

This model included in the **PRAXIS QUALITY INSTALLATION ASSURANCE PROGRAM.** Important installation procedures **MUST** be followed for the fixture to be granted a warranty.

ATTENTION PLUMBING CONTRACTOR!!! THIS ORDER WILL NOT BE PROCESSED UNLESS THIS DOCUMENT IS SIGNED, DATED AND A CONTACT PHONE NUMBER OF THE PLUMBING CONTRACTOR IS PROVIDED. FOR ORDERS OF FOUR OR MORE UNITS, PARTICIPATION IN THE PRAXIS QUALITY INSTALLATION ASSURANCE PROGRAM IS MANDATORY FOR ACTIVATION OF PRODUCT WARRANTY.

Signed: Date: Contact Phone Number:

Praxis Quality Installation Assurance Program Information: Phone: (800)-759-7744 ext: 29.

Customer Service: (800)-443-7269 Fax: (731)-925-0379

Commercial Showers & Tub Showers

41" Acrylic Shower



Hamilton
BATHWARE

TAS Transfer Showers ONE-PIECE DOMED ACRYLIC

703B- NO MODIFICATIONS TO PACKAGES. FOR BUILT TO ORDER UNIT, SELECT BASE UNIT AND ACCESSORIES.		
PKG ONE - TAS: A 4136 IBS TAS		List: \$2861
.75" NO RECESS BF THRESHOLD MUDSET		
Handed by Valve Wall L/R WHITE PREMIUM CAST ACRYLIC		
Factory Installed Accessories (VALVE/SHOWER KIT NOT INCLUDED IN PKG1)		
L-BAR	33.5" x 18" x 1.5" SMOOTH SS RADIUS	
S-BAR	24" x 1.5" SMOOTH SS	
SEAT	34.5" X 21" FRAMELESS WHITE HDPE RAD FOLD UP	
ROD	1" OD 20 GAUGE SS GROMMET STYLE	
FOR TAS COMPLIANCE, UNIT REQUIRES RETURN RECEIVER FLANGE TO MEET OPEN FLOOR SPACE AND UNOBSTRUCTED TRANSFER; AND INSTALLED ACCESSORIES MUST INCLUDE L-BAR AND VERTICAL S-BAR, 34.5" L-SEAT, PRESSURE BALANCING MIXING VALVE, HAND-HELD SHOWER WITH SLIDE BAR, VACUUM BREAKER AND 60" HOSE. UNIT AND ACCESSORIES INSTALLED PER TAS AND PRAXIS INSTALLATION & WARRANTY GUIDELINES.		
BUILD TO ORDER BASE PLUS ACCESSORIES		
BASE UNIT 1: A 4136 I TAS		List: \$1729
SPECIFY THRESHOLD HEIGHT MUDSET		
Handed by Valve Wall L/R		
Reinforced for Standard Accessories		
BASE UNIT OPTIONAL ACCESSORIES		List:
FINISHES		
STANDARD FINISH- PREMIUM CAST ACRYLIC: WHITE, BONE, BISCUIT		\$0
GRAB BARS		
S-BAR	24" x 1.5" SMOOTH SS	\$117
S-BAR	24" x 1.25" SMOOTH WHITE CC	\$154
L-BAR	33.5" x 18" x 1.5" SMOOTH SS RADIUS	\$198
L-BAR	33.5" x 18" x 1.25" SMOOTH WHITE RADIUS	\$343
FULL DEPTH OF STALL SEATS (ADAAG 1991-2002)		
SEAT	34.5" X 21" FRAMELESS WHITE HDPE RAD FOLD UP	\$747
SEAT	34.5" X 21" FRAMELESS WHITE PADDED RAD FOLD UP	\$747
SEAT	34.5" X 21" FRAMELESS WOODGRAIN PHENOLIC RAD FOLD UP	\$747
FACTORY MODIFICATIONS		
MOD	VALVE DRILLING - SPECIFY HOLE SIZE	\$56
MOD	.75" NO RECESS BF THRESHOLD	\$111
MOD	2" BF THRESHOLD	\$0
MOD	ARMORSHIELD P3 PROTECTION	\$149
MOD	INSTALL 30" SLIDE BAR / HS KIT	\$411
MOD	INSTALL STANDARD SYMMONS VALVE PACKAGE	\$633
MOD	INSTALL HANS GROHE THERMOSTATIC VALVE PACKAGE (XLT)	\$501
MOD	INSTALL POWERS VALVE PACKAGE (XLT)	\$656
MOD	RECESSED RECEIVER FLANGE-WILL ADD 2" TO OVERALL PRODUCT WIDTH	\$222
CURTAIN RODS		
ROD	1" OD 20 GAUGE SS GROMMET STYLE	\$71
ROD	1" OD 20 GAUGE WHITE GROMMET STYLE	\$138
FIELD INSTALLED ACCESSORIES		
LOOSE	CURTAIN PREMIUM 42" X 72" WHITE NYLON WTD	\$118
LOOSE	CURTAIN HEAVY DUTY 42" X 72" WHITE VINYL WTD	\$96
ADDITIONAL ACCESSORIES AND SERVICES MAY BE AVAILABLE UPON REQUEST		



A 4136 IBS TAS

PHOTOGRAPH AT LEFT ILLUSTRATES PACKAGE ONE (HANDED BY VALVE WALL LEFT)

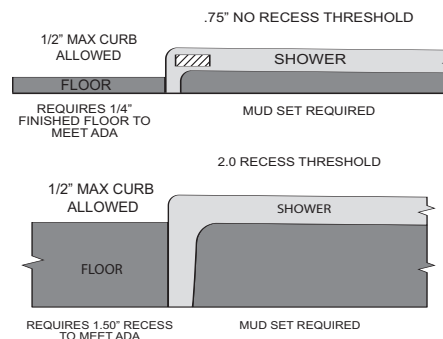
Premium Cast Acrylic

Five Year Warranty

Primary Applications:

- Healthcare
- College Dormitory
- Hospitality
- Schools
- Public Buildings

ADA Transfer Shower Threshold Requirements:



703B

rev. 09/25/07

A 4136 I TAS

OD: 41.25" x 36.25" x 82.75"

ID: 36" X 36" CENTER POINT

WEIGHT: 160

LOAD FACTOR: 1.06

HANDED BY: VALVE WALL L/R

Special Notes: This unit complies with TAS, ANSI Z124.2, ICC/ANSI A117.1, UPC, HUD, ASTM F462, ASTM E84, ADA, ABA, BOCA, SBCCI, NAHB

Warranty: Gelcoat models have a 3 year limited warranty. Acrylic models have a 5 year limited warranty. Pumps, parts, and accessories 1 year limited warranty. For further details please refer to the complete warranty section.

Due to the nature of the materials, dimensions may vary +/- 1/2".

DRAWING REQUEST MUST BE MADE FOR PACKAGE 2 DRAWING AND BUILT TO ORDER UNITS.



Hamilton Bathware/Praxis Companies, LLC.

435 Industrial Road, Savannah • Tennessee 38372 • Customer Service: 800.326.5489 • Fax: 888.246.0466 • www.hamiltonbathware.com

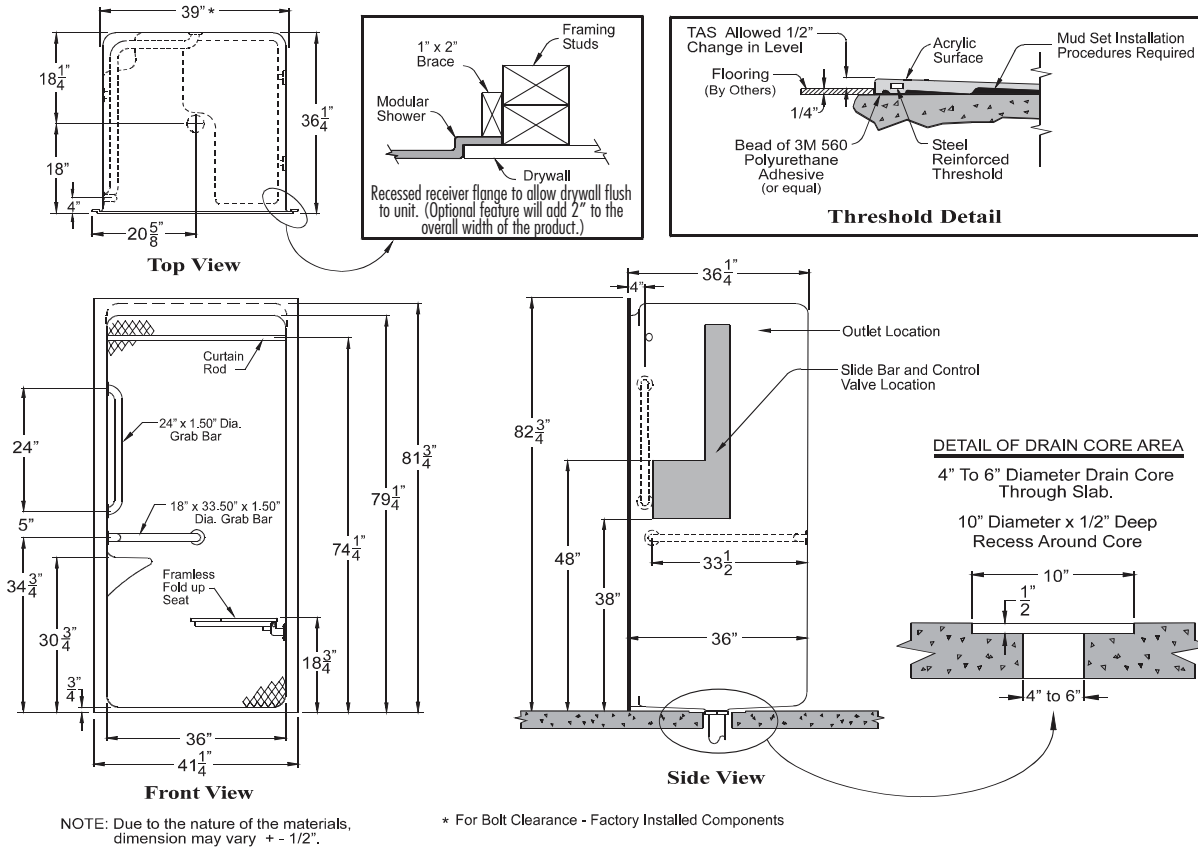
Product Availability
Hamilton Northeast
XLT-EXTENDED LEADTIME

Product Availability
Hamilton Mid-America
Download from www.Somanuals.com All Manuals Search And Download

Product Availability
Hamilton South
STD-STANDARD LEADTIME

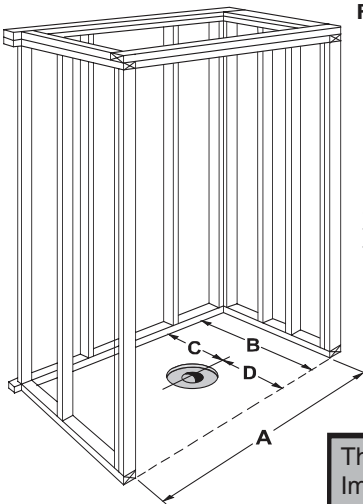
PACKAGE ONE - TAS/ANSI A 4136 IBS TAS

No modifications accepted (Packaged units only)



TAS/ANSI COMPLIANCE REQUIREMENTS

For TAS/ANSI compliance, unit requires return receiver flange to meet open floor space and unobstructed transfer. Installed accessories must include L-grab bar and vertical S-grab bar, L-shaped fold up seat, pressure balancing mixing valve, hand-held shower with slide bar, vacuum breaker and 60" hose. Unit must be installed so threshold is no more than 1/2" above the finished floor. Unit and accessories must be installed per TAS/ANSI and Praxis Guidelines.



FRAMING DIMENSIONS

A*	B	C	D
41 1/2"	36 1/4"	18 1/4"	18"

10" Diameter x 1/2" Deep Recess Around Drain Core

Unit must be installed into a recessed pit -or- build up finished floor to comply with TAS threshold guidelines.

STANDARD FEATURES

- Durable cast acrylic finish
- Low threshold entry
- Corner accessory shelf
- Integral dome
- Molded receiver flange
- HDPE fold up seat
- Stainless steel grab bars
- Stainless steel curtain rod

STANDARD CODES

- ANSI Z124.2
- ASTM F463
- ASTM E84
- SBCCI
- NAHB
- UPC

TEXAS ACCESSIBILITY STANDARD CODE

- TAS
- ICC/ANSI A117.1
- HUD/ADA
- UFAS

(when fully equipped)
 Unit configured with standard features, pressure balanced control valve and hand held shower package.

Confirm any requested loose accessories desired by circling the items on page one. Submittal drawing required for Prepackaged model. **NO MODIFICATIONS ACCEPTED.**

All built to order model configurations and submittal drawings must be ordered.

*With optional recess receiver flange, add 2"

This model included in the **PRAXIS QUALITY INSTALLATION ASSURANCE PROGRAM.** Important installation procedures **MUST** be followed for the fixture to be granted a warranty.

ATTENTION PLUMBING CONTRACTOR!!! THIS ORDER WILL NOT BE PROCESSED UNLESS THIS DOCUMENT IS SIGNED, DATED AND A CONTACT PHONE NUMBER OF THE PLUMBING CONTRACTOR IS PROVIDED. FOR ORDERS OF FOUR OR MORE UNITS, PARTICIPATION IN THE PRAXIS QUALITY INSTALLATION ASSURANCE PROGRAM IS MANDATORY FOR ACTIVATION OF PRODUCT WARRANTY.

Signed: Date: Contact Phone Number:

Praxis Quality Installation Assurance Program Information: Phone: (800)-759-7744 ext: 29.

Customer Service: (800)-443-7269 Fax: (731)-925-0379

Commercial Showers & Tub Showers

41" Acrylic Shower



Hamilton
BATHWARE

MAS Transfer Showers ONE-PIECE DOMED ACRYLIC

703C- NO MODIFICATIONS TO PACKAGES. FOR BUILT TO ORDER UNIT, SELECT BASE UNIT AND ACCESSORIES.

PKG ONE - MAS: A 4136 IBS MAS		List: \$2701
.75" NO RECESS BF THRESHOLD	MUDSET	
Handed by Valve Wall L/R	WHITE PREMIUM CAST ACRYLIC	
Factory Installed Accessories (VALVE/SHOWER KIT NOT INCLUDED IN PKG1)		
L-BAR	33.5" x 18" x 1.25" PEENED SS RADIUS	
SEAT	32" X 21" FRAMELESS WHITE PADDED RAD FOLD UP	
ROD	1" OD 20 GAUGE SS GROMMET STYLE	

FOR MAS COMPLIANCE, INSTALLED ACCESSORIES MUST INCLUDE PEENED OR TEXTURED L-BAR, PADDED L-SEAT, PRESSURE BALANCING MIXING VALVE, HAND-HELD SHOWER WITH SLIDE BAR, VACUUM BREAKER AND 60" HOSE. UNIT AND ACCESSORIES INSTALLED PER MAS AND PRAXIS INSTALLATION & WARRANTY GUIDELINES.

BUILD TO ORDER BASE PLUS ACCESSORIES

BASE UNIT 1: A 4136 I MAS		List: \$1715
SPECIFY THRESHOLD HEIGHT	MUDSET	
Handed by Valve Wall L/R		
Reinforced for Standard Accessories		

BASE UNIT OPTIONAL ACCESSORIES List:

FINISHES		
STANDARD FINISH- PREMIUM CAST ACRYLIC: WHITE, BONE, BISCUIT		\$0
GRAB BARS		
L-BAR	33.5" x 18" x 1.25" PEENED SS RADIUS	\$168
L-BAR	33.5" x 18" x 1.25" TEXTURED WHITE RADIUS	\$349
INSIDE CURTAIN LINE SEATS (REVISED ADA-ABA 2004)		
SEAT	32" X 21" FRAMELESS WHITE PADDED RAD FOLD UP	\$747
SEAT	32" X 14.5" WHITE PADDED W/LEGS	\$1281
FACTORY MODIFICATIONS		
MOD	VALVE DRILLING - SPECIFY HOLE SIZE	\$56
MOD	.75" NO RECESS BF THRESHOLD	\$111
MOD	2" BF THRESHOLD	\$0
MOD	ARMORSHIELD P3 PROTECTION	\$149
MOD	INSTALL 30" SLIDE BAR / HS KIT	\$411
MOD	INSTALL STANDARD SYMMONS VALVE PACKAGE	\$633
MOD	INSTALL HANS GROHE THERMOSTATIC VALVE PACKAGE (XLT)	\$501
MOD	INSTALL POWERS VALVE PACKAGE (XLT)	\$656
MOD	RECESSED RECEIVER FLANGE-WILL ADD 2" TO OVERALL PRODUCT WIDTH	\$222
CURTAIN RODS		
ROD	1" OD 20 GAUGE SS GROMMET STYLE	\$71
ROD	1" OD 20 GAUGE WHITE GROMMET STYLE	\$138
FIELD INSTALLED ACCESSORIES		
LOOSE	CURTAIN PREMIUM 42" X 72" WHITE NYLON WTD	\$118
LOOSE	CURTAIN HEAVY DUTY 42" X 72" WHITE VINYL WTD	\$96

ADDITIONAL ACCESSORIES AND SERVICES MAY BE AVAILABLE UPON REQUEST



A 4136 IBS MAS

PHOTOGRAPH AT LEFT ILLUSTRATES PACKAGE ONE (HANDED BY VALVE WALL LEFT)

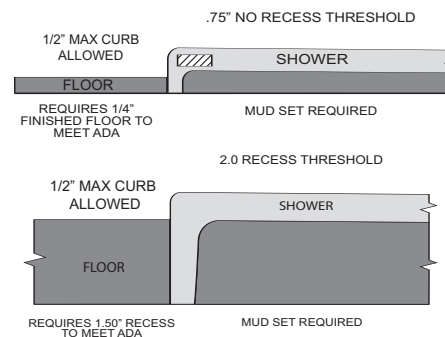
Premium Cast Acrylic

Five Year Warranty

Primary Applications:

- Healthcare
- College Dormitory
- Hospitality
- Schools
- Public Buildings

MAS Transfer Shower Threshold Requirements:



703C

rev. 09/25/07

A 4136 I MAS

OD: 41.25" x 36.25" x 82.75"

ID: 36" X 36" CENTER POINT

WEIGHT: 160

LOAD FACTOR: 1.06

HANDED BY: VALVE WALL L/R

Special Notes: This unit complies with MAS, ANSI Z124.2, NAHB, UPC, ASTM F462, ASTM E84.

Warranty: Gelcoat models have a 3 year limited warranty. Acrylic models have a 5 year limited warranty. Pumps, parts, and accessories 1 year limited warranty. For further details please refer to the complete warranty section.

Due to the nature of the materials, dimensions may vary +/- 1/2".

DRAWING REQUEST MUST BE MADE FOR PACKAGE 2 DRAWING AND BUILT TO ORDER UNITS.



Hamilton Bathware/Praxis Companies, LLC.

435 Industrial Road, Savannah • Tennessee 38372 • Customer Service: 800.326.5489 • Fax: 888.246.0466 • www.hamiltonbathware.com

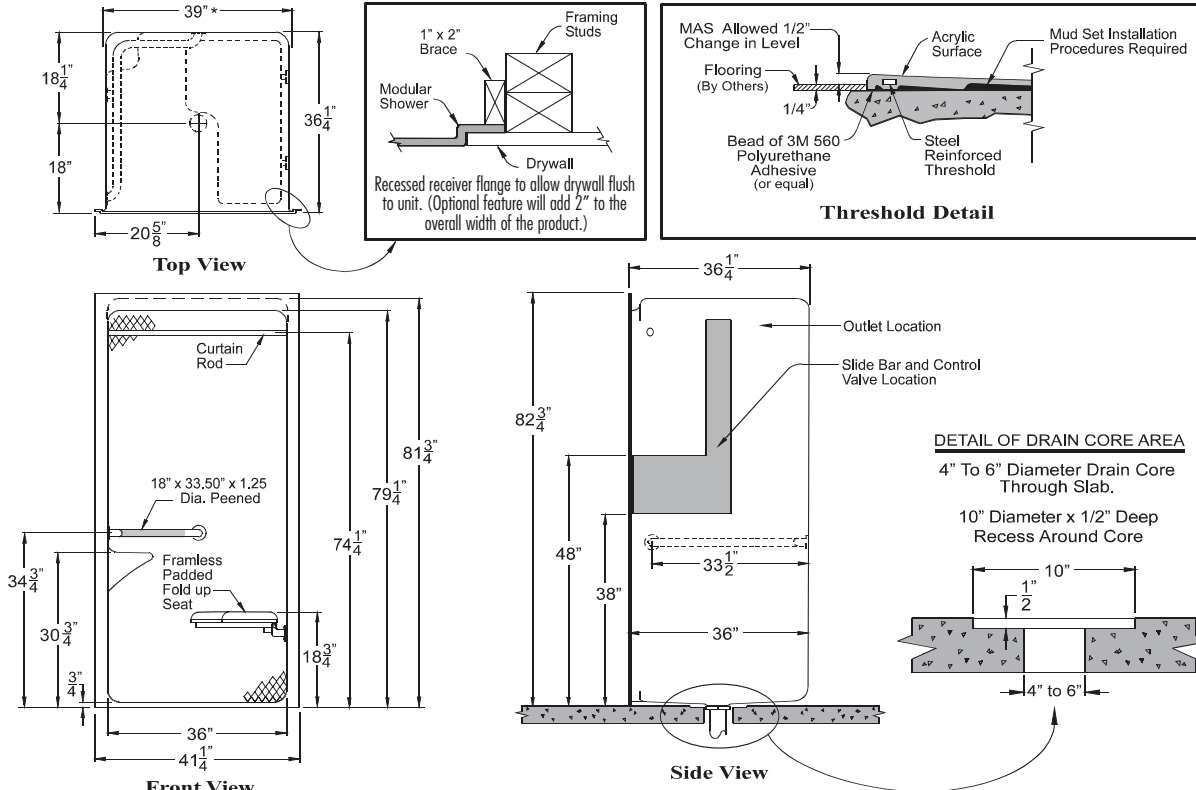
Product Availability
Hamilton Northeast
XL-EXTENDED LEADTIME

Product Availability
Hamilton Mid-America
Download www.somanuals.com **All Manuals Search And Download.**

Product Availability
Hamilton South
STD-STANDARD LEADTIME

PACKAGE ONE - MAS A 4136 IBS MAS

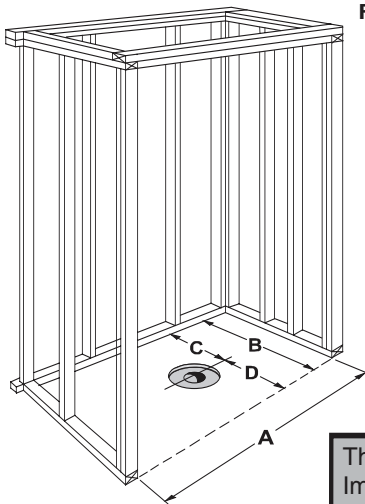
No modifications accepted (Packaged units only)



NOTE: Due to the nature of the materials, dimension may vary +/- 1/2". * For Bolt Clearance - Factory Installed Components

MAS COMPLIANCE REQUIREMENTS

For MAS compliance, installed accessories must include peened L-grab bar, padded fold up seat, pressure balancing mixing valve, hand-held shower with 30" slide bar, vacuum breaker and 60" hose. Unit must be installed so threshold is no more than 1/2" above the finished floor. Unit and accessories must be installed per MAS and Praxis Guidelines.



FRAMING DIMENSIONS

A*	B	C	D
41 1/2"	36 1/4"	18 1/4"	18"

10" Diameter x 1/2" Deep Recess Around Drain Core

Unit must be installed into a recessed pit -or- build up finished floor to comply with MAS threshold guidelines.

STANDARD FEATURES

- Durable cast acrylic finish
- Low threshold entry
- Corner accessory shelf
- Integral dome
- Padded fold up seat
- Stainless steel grab bars
- Stainless steel curtain rod

STANDARD CODES

- ANSI Z124.2
- ASTM F463
- ASTM E84
- SBCCI
- NAHB
- UPC

MASSACHUSETTS ARCHITECTURAL ACCESS BOARD

- MAS

(when fully equipped)
Unit configured with standard features, pressure balanced control valve and hand held shower package.

Confirm any requested loose accessories desired by circling the items on page one. Submittal drawing required for Prepackaged model. **NO MODIFICATIONS ACCEPTED.**

All built to order model configurations and submittal drawings must be ordered.

*With optional recess receiver flange, add 2"

This model included in the **PRAXIS QUALITY INSTALLATION ASSURANCE PROGRAM.** Important installation procedures **MUST** be followed for the fixture to be granted a warranty.

ATTENTION PLUMBING CONTRACTOR!!! THIS ORDER WILL NOT BE PROCESSED UNLESS THIS DOCUMENT IS SIGNED, DATED AND A CONTACT PHONE NUMBER OF THE PLUMBING CONTRACTOR IS PROVIDED. FOR ORDERS OF FOUR OR MORE UNITS, PARTICIPATION IN THE PRAXIS QUALITY INSTALLATION ASSURANCE PROGRAM IS MANDATORY FOR ACTIVATION OF PRODUCT WARRANTY.

Signed: Date: Contact Phone Number:

Praxis Quality Installation Assurance Program Information: Phone: (800)-759-7744 ext: 29.

Customer Service: (800)-443-7269 Fax: (731)-925-0379

Commercial Showers & Tub Showers

60" Gelcoat Tub Shower



Hamilton
BATHWARE

ADA Tub Showers ONE-PIECE OPEN TOP GELCOAT

704A- NO MODIFICATIONS TO PACKAGES. FOR BUILT TO ORDER UNIT, SELECT BASE UNIT AND ACCESSORIES.		
PKG ONE-ADA/ANSI/TAS: G 6092 TS IBS		List: \$1945
18" APRON	SHIM	
HANDED BY VALVE WALL L/R	WHITE POLYESTER GELCOAT FINISH	
Factory Installed Accessories (VALVE/SHOWER KIT NOT INCLUDED IN PKG1)		
S-BAR	24" X 1.5" SMOOTH SS	
S-BAR	24" X 1.5" SMOOTH SS	
S-BAR	24" X 1.5" SMOOTH SS	
S-BAR	24" X 1.5" SMOOTH SS	
S-BAR	24" X 1.5" SMOOTH SS	
SEAT	27" X 15" WOODGRAIN PHENOLIC FOLD UP	
FOR ADA/ANSI/TAS COMPLIANCE: SEAT AT HEAD END OF TUB SHALL BE PROVIDED AND PERMANENTLY AND SECURELY MOUNTED, INSTALLED ACCESSORIES MUST INCLUDE: 24" VERTICAL GRAB BAR ON VALVE WALL, 24" GRAB BAR ON VALVE WALL, TWO 24" GRAB BARS ON BACK WALL, 12" MIN. GRAB BAR ON HEAD WALL, PRESSURE BALANCING MIXING VALVE, HAND HELD SHOWER WITH SLIDE BAR, VACUUM BREAKER AND 60" HOSE. THE UNIT AND ACCESSORIES MUST BE INSTALLED PER ADA/ANSI/TAS AND PRAXIS INSTALLATION AND WARRANTY GUIDELINES.		
BUILD TO ORDER BASE PLUS ACCESSORIES		
BASE UNIT 1: G 6092 TS I		List: \$824
18" APRON	SHIM	
Handed by Valve Wall L/R		
Reinforced for Standard Accessories		
BASE UNIT OPTIONAL ACCESSORIES		List:
FINISHES		
STANDARD FINISH- POLYESTER GELCOAT FINISH: WHITE, BONE, BISCUIT		\$0
GRAB BARS		
S-BAR	24" X 1.5" SMOOTH SS	\$128
S-BAR	24" X 1.25" SMOOTH WHITE	\$154
STANDARD SEATS (ATTACHED OR REMOVABLE)		
SEAT	27" X 15" WOODGRAIN PHENOLIC FOLD UP ATTACHED	\$481
SEAT	28" X 15" WHITE TRI FOLD REMOVABLE	\$434
FACTORY MODIFICATIONS		
MOD	WHIRLPOOL SYSTEM WITH 3/4 HORSE POWER AND 4 JETS	\$562
MOD	VALVE DRILLING - SPECIFY HOLE SIZE	\$56
MOD	INSTALL STANDARD SYMMONS VALVE PACKAGE	\$633
MOD	INSTALL HANS GROHE THERMOSTATIC VALVE PACKAGE (XLT)	\$501
MOD	INSTALL POWERS VALVE PACKAGE (XLT)	\$656
MOD	INSTALL 30" SLIDE BAR / HS KIT	\$411
MOD	ARMORSHIELD P3 PROTECTION	\$149
MOD	TUBGUARD P3 PROTECTION 60" TUB SHOWER	\$86
MOD	2" STANDARD ROUGH (17" APRON)	\$56
CURTAIN RODS		
ROD	CURTAIN ROD U CUP HOLDER PAIR	\$14
ROD	1" OD 20 GAUGE SS	\$71
ROD	1" OD 20 GAUGE WHITE	\$138
FIELD INSTALLED ACCESSORIES		
LOOSE	CURTAIN HEAVY DUTY 66" X 72" WHITE VINYL	\$119
LOOSE	TUBGUARD P3 PRO FIELD INST - STANDARD 60" TUB SHOWER	\$89

ADDITIONAL ACCESSORIES AND SERVICES MAY BE AVAILABLE UPON REQUEST



G 6092 TS IBS

PHOTOGRAPH AT LEFT ILLUSTRATES PACKAGE ONE (HANDED BY VALVE WALL LEFT)

**Sanitary Grade Polyester Gelcoat
Three Year Warranty**

Primary Applications:

- Healthcare
- College Dormitory
- Hospitality
- Schools
- Assisted Living

WELL INFORMATION

WELL DEPTH: 11.25"
WELL L TO R: 48"
WELL FRONT TO BACK: 22.5"
GALLONS TO OVERFLOW: 58
SLOPE OF DRAIN: .375" per ft.

704A

rev. 09/25/07

G 6092 TS I

OD: 60" x 32.25" x 77.5"
3" ABOVE FLOOR ROUGH

WEIGHT: 170

LOAD FACTOR: 1.13

HANDED BY: VALVE WALL L/R



PRAXIS

Special Notes: This unit complies with ANSI Z124.1, ICC/ANSI A117.1, UPC, HUD, ASTM F462, ASTM E84, ADA, ABA, SBCCI, NAHB, UFAS. Warranty: Gelcoat models have a 3 year limited warranty. Acrylic models have a 5 year limited warranty. Pumps, parts, and accessories 1 year limited warranty. For further details please refer to the complete warranty section. Due to the nature of the materials, dimensions may vary +/- 1/2". DRAWING REQUEST MUST BE MADE FOR PACKAGE 2 DRAWING AND BUILT TO ORDER UNITS.

Hamilton Bathware/Praxis Companies, LLC.

435 Industrial Road, Savannah • Tennessee 38372 • Customer Service: 800.326.5489 • Fax: 888.246.0466 • www.hamiltonbathware.com

**Product Availability
Hamilton Northeast
NA-NOT AVAILABLE**

*SEE UNIT G 3260 TS IBS

**Product Availability
Hamilton Mid-America
NA-NOT AVAILABLE**

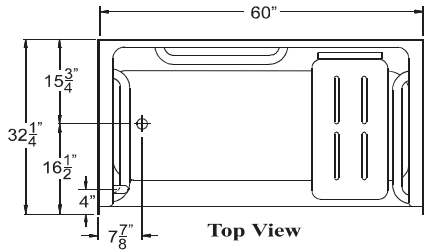
*SEE UNIT G 3260 TS IBS

**Product Availability
Hamilton South
800-326-5489**

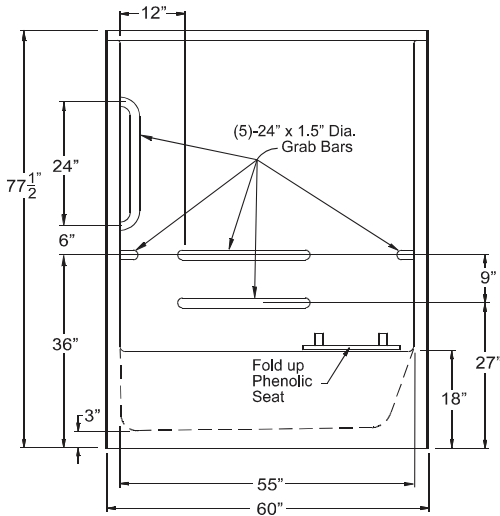
STD-STANDARD LEADTIME

PACKAGE ONE - ADA/ANSI/TAS G 6092 TS IBS

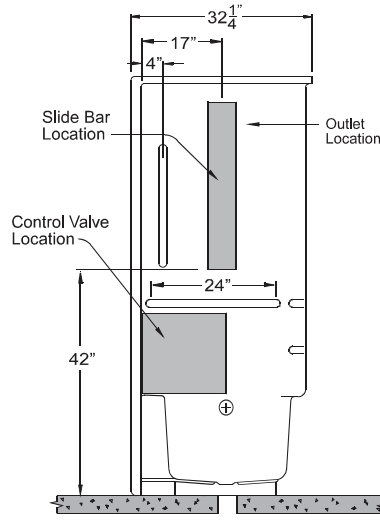
No modifications accepted (Packaged units only)



Top View



Front View

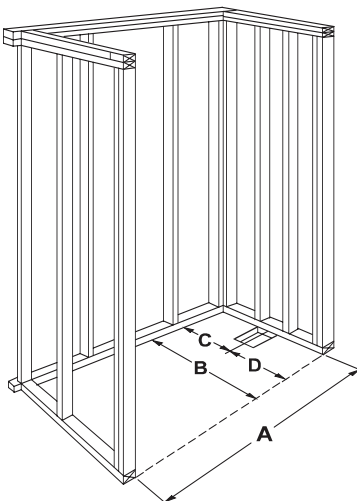


Side View

NOTE: Due to the nature of the materials, dimension may vary + - 1/2".

ADA/TAS COMPLIANCE REQUIREMENTS

For ADA/TAS compliance: seat securely mounted at head end, one horizontal grab bar mounted on the valve wall, two horizontal grab bars mounted on the back wall, one horizontal grab bar mounted on the head wall and one vertical grab bar mounted on the valve wall near the entry. Pressure balancing mixing valve, hand held shower with slide bar, vacuum breaker and 60" hose. Unit and accessories must be installed per ADA/TAS and Praxis guidelines.



FRAMING DIMENSIONS

A	B	C	D
60 1/4"	32 1/4"	15 3/4"	16 1/2"

6" x 6" minimum opening in floor for drain connection

STANDARD FEATURES

- High gloss gelcoat finish
- One piece design
- Phenolic fold up seat
- Stainless steel grab bars

STANDARD CODES

- ANSI Z124.1
- ASTM F463
- ASTM E84
- SBCCI
- NAHB
- UPC

ADA CODES

- ICC/ANSI A117.1
 - HUD/ADA
 - UFAS
 - TAS
- (when fully equipped)
Unit configured with standard features, pressure balanced control valve and hand held shower package.

Confirm any requested loose accessories desired by circling the items on page one. Submittal drawing required for Prepackaged model. **NO MODIFICATIONS ACCEPTED.** All built to order model configurations and submittal drawings must be ordered.

UPC/SKU NUMBERS Left Hand Valve: _____ Right Hand Valve: _____

ATTENTION PLUMBING CONTRACTOR!!! THIS ORDER WILL NOT BE PROCESSED UNLESS THIS DOCUMENT IS SIGNED, DATED AND A CONTACT PHONE NUMBER OF THE PLUMBING CONTRACTOR IS PROVIDED.

Signed: Date: Contact Phone Number:

Customer Service: (800)-443-7269 Fax: (731)-925-0379

Commercial Showers & Tub Showers

60" Gelcoat Tub/Shower



Hamilton
BATHWARE

MAS Tub Showers ONE-PIECE OPEN TOP GELCOAT

704B- NO MODIFICATIONS TO PACKAGES. FOR BUILT TO ORDER UNIT, SELECT BASE UNIT AND ACCESSORIES.		
PKG ONE-MAS: G 6092 TS IBS MAS		List: \$1490
18" APRON	SHIM	
HANDED BY VALVE WALL L/R	WHITE POLYESTER GELCOAT FINISH	
Factory Installed Accessories (VALVE/SHOWER KIT NOT INCLUDED IN PKG1)		
S-BAR	48" X 1.25" PEENED SS	
S-BAR	48" X 1.25" PEENED SS	
SEAT	28" X 15" WHITE TRI FOLD REMOVABLE	
FOR MAS COMPLIANCE: TRI FOLD REMOVABLE SEAT AT HEAD END OF TUB SHALL BE PROVIDED AND SECURELY MOUNTED, INSTALLED ACCESSORIES MUST INCLUDE: TWO 48" PEENED OR TEXTURED GRAB BARS ON BACK WALL, PRESSURE BALANCING MIXING VALVE, HAND HELD SHOWER WITH SLIDE BAR, VACUUM BREAKER AND 60" HOSE. UNIT AND ACCESSORIES INSTALLED PER MAS & PRAXIS INSTALLATION & WARRANTY GUIDELINES.		
BUILD TO ORDER BASE PLUS ACCESSORIES		
BASE UNIT 1: G 6092 TS I MAS		List: \$777
18" APRON	SHIM	
Handed by Valve Wall L/R		
Reinforced for Standard Accessories		
BASE UNIT OPTIONAL ACCESSORIES		List:
FINISHES		
STANDARD FINISH- POLYESTER GELCOAT FINISH: WHITE, BONE, BISCUIT		\$0
GRAB BARS		
S-BAR	48" X 1.25" PEENED SS	\$139
S-BAR	48" X 1.25" TEXTURED WHITE	\$329
STANDARD SEATS (REMOVABLE)		
SEAT	28" X 15" WHITE TRI FOLD REMOVABLE	\$434
FACTORY MODIFICATIONS		
MOD	WHIRLPOOL SYSTEM WITH 3/4 HORSE POWER AND 4 JETS	\$562
MOD	VALVE DRILLING - SPECIFY HOLE SIZE	\$56
MOD	INSTALL STANDARD SYMMONS VALVE PACKAGE	\$633
MOD	INSTALL HANS GROHE THERMOSTATIC VALVE PACKAGE (XLT)	\$501
MOD	INSTALL POWERS VALVE PACKAGE (XLT)	\$656
MOD	INSTALL 30" SLIDE BAR / HS KIT	\$411
MOD	ARMORSHIELD P3 PROTECTION	\$149
MOD	TUBGUARD P3 PROTECTION 60" TUB SHOWER	\$86
MOD	2" STANDARD ROUGH (17" APRON)	\$56
CURTAIN RODS		
ROD	CURTAIN ROD U CUP HOLDER PAIR	\$14
ROD	1" OD 20 GAUGE SS	\$71
ROD	1" OD 20 GAUGE WHITE	\$138
FIELD INSTALLED ACCESSORIES		
LOOSE	CURTAIN HEAVY DUTY 66" X 72" WHITE VINYL	\$119
LOOSE	TUBGUARD P3 PRO FIELD INST - STANDARD 60" TUB SHOWER	\$89
ADDITIONAL ACCESSORIES AND SERVICES MAY BE AVAILABLE UPON REQUEST		



G 6092 TS IBS MAS

PHOTOGRAPH AT LEFT ILLUSTRATES PACKAGE ONE (HANDED BY VALVE WALL LEFT)

**Sanitary Grade Polyester Gelcoat
Three Year Warranty**

Primary Applications:

- Healthcare
- College Dormitory
- Hospitality
- Schools
- Assisted Living

WELL INFORMATION

WELL DEPTH: 11.25"
WELL L TO R: 48"
WELL FRONT TO BACK: 22.5"
GALLONS TO OVERFLOW: 58
SLOPE OF DRAIN: .375" per ft.

704B

rev. 09/25/07

G 6092 TS I MAS

OD: 60" x 32.25" x 77.5"

3" ABOVE FLOOR ROUGH

WEIGHT: 170

LOAD FACTOR: 1.13

HANDED BY: VALVE WALL L/R

Special Notes: This unit complies with MAS, ANSI Z124.1, NAHB, UPC, ASTM F462, ASTM E84.

Warranty: Gelcoat models have a 3 year limited warranty. Acrylic models have a 5 year limited warranty. Pumps, parts, and accessories 1 year limited warranty. For further details please refer to the complete warranty section.

Due to the nature of the materials, dimensions may vary +/- .1/2".

DRAWING REQUEST MUST BE MADE FOR PACKAGE 2 DRAWING AND BUILT TO ORDER UNITS.



Hamilton Bathware/Praxis Companies, LLC.

435 Industrial Road, Savannah • Tennessee 38372 • Customer Service: 800.326.5489 • Fax: 888.246.0466 • www.hamiltonbathware.com

Product Availability
Hamilton Northeast
NA-NOT AVAILABLE

*SEE UNIT G 3260 TS IBS

Product Availability
Hamilton Mid-America
NA-NOT AVAILABLE

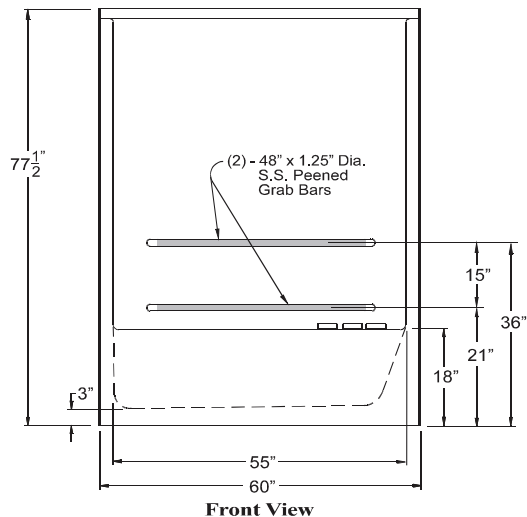
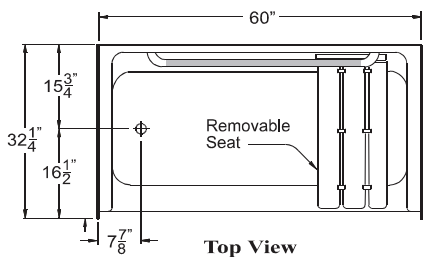
SEE UNIT G 3260 TS IBS

Product Availability
Hamilton South

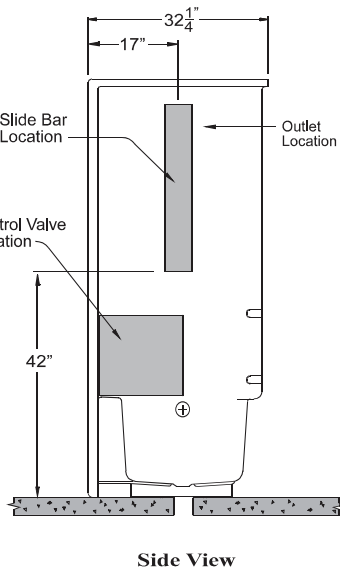
STD-STANDARD LEADTIME

PACKAGE ONE - MAS G 6092 TS IBS MAS

No modifications accepted (Packaged units only)

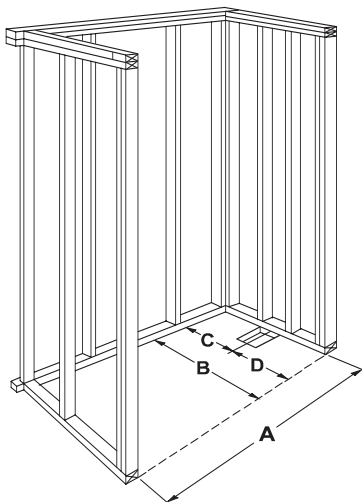


NOTE: Due to the nature of the materials, dimension may vary + - 1/2".



MAS COMPLIANCE REQUIREMENTS

For MAS compliance installed accessories must include: Removable seat at head end, two peened horizontal grab bars on the back wall, pressure balancing mixing valve, hand held shower with 30" slide bar, vacuum breaker and 60" hose. Unit and accessories must be installed per MAS and Praxis guidelines.



FRAMING DIMENSIONS

A	B	C	D
60 ¹ / ₄ "	32 ¹ / ₄ "	15 ³ / ₄ "	16 ¹ / ₄ "

6" x 6" minimum opening in floor for drain connection

STANDARD FEATURES	STANDARD CODES	MASSACHUSETTS ARCHITECTURAL ACCESS BOARD
<ul style="list-style-type: none"> High gloss gelcoat finish One piece design Tri-fold Removable seat Stainless steel grab bars 	<ul style="list-style-type: none"> ANSI Z124.1 ASTM F463 ASTM E84 SBCCI NAHB UPC 	<p>MAS</p> <p>(when fully equipped) Unit configured with standard features, pressure balanced control valve and hand held shower package.</p>

Confirm any requested loose accessories desired by circling the items on page one. Submittal drawing required for Prepackaged model. **NO MODIFICATIONS ACCEPTED.** All built to order model configurations and submittal drawings must be ordered.

UPC/SKU NUMBERS Left Hand Valve: _____ Right Hand Valve: _____

ATTENTION PLUMBING CONTRACTOR!!! THIS ORDER WILL NOT BE PROCESSED UNLESS THIS DOCUMENT IS SIGNED, DATED AND A CONTACT PHONE NUMBER OF THE PLUMBING CONTRACTOR IS PROVIDED.

Signed: Date: Contact Phone Number:

Customer Service: (800)-443-7269 Fax: (731)-925-0379

Commercial Showers & Tub Showers

60" Gelcoat Tub/Shower



Hamilton
BATHWARE

ADA Tub Showers ONE-PIECE OPEN TOP GELCOAT

705A- NO MODIFICATIONS TO PACKAGES. FOR BUILT TO ORDER UNIT, SELECT BASE UNIT AND ACCESSORIES.		
PKG 1-ADA/ANSI/TAS: G 3260 TS IBS		List: \$1945
18" APRON	SHIM	
HANDED BY VALVE WALL L/R		WHITE POLYESTER GELCOAT FINISH
Factory Installed Accessories (VALVE/SHOWER KIT NOT INCLUDED IN PKG1)		
S-BAR	24" X 1.5" SMOOTH SS	
S-BAR	24" X 1.5" SMOOTH SS	
S-BAR	24" X 1.5" SMOOTH SS	
S-BAR	24" X 1.5" SMOOTH SS	
S-BAR	24" X 1.5" SMOOTH SS	
SEAT	27" X 15" WOODGRAIN PHENOLIC FOLD UP	
FOR ADA/ANSI/TAS COMPLIANCE: SEAT AT HEAD END OF TUB SHALL BE PROVIDED AND PERMANENTLY AND SECURELY MOUNTED, INSTALLED ACCESSORIES MUST INCLUDE: 24" VERTICAL GRAB BAR ON VALVE WALL, 24" GRAB BAR ON VALVE WALL, TWO 24" GRAB BARS ON BACK WALL, 12" MIN. GRAB BAR ON HEAD WALL, PRESSURE BALANCING MIXING VALVE, HAND HELD SHOWER WITH SLIDE BAR, VACUUM BREAKER AND 60" HOSE. THE UNIT AND ACCESSORIES MUST BE INSTALLED PER ADA/ANSI/TAS AND PRAXIS INSTALLATION AND WARRANTY GUIDELINES.		
BUILD TO ORDER BASE PLUS ACCESSORIES		
BASE UNIT 1: G 3260 TS I		List: \$824
18" APRON	SHIM	
Handed by Valve Wall L/R		
Reinforced for Standard Accessories		
BASE UNIT OPTIONAL ACCESSORIES		List:
FINISHES		
STANDARD FINISH- POLYESTER GELCOAT FINISH: WHITE, BONE, BISCUIT		\$0
GRAB BARS		
S-BAR	24" X 1.5" SMOOTH SS	\$128
S-BAR	24" X 1.25" SMOOTH WHITE	\$154
STANDARD SEATS (ATTACHED OR REMOVABLE)		
SEAT	27" X 15" WOODGRAIN PHENOLIC FOLD UP ATTACHED	\$481
SEAT	28" X 15" WHITE TRI FOLD REMOVABLE	\$434
FACTORY MODIFICATIONS		
MOD	WHIRLPOOL SYSTEM WITH 3/4 HORSE POWER AND 4 JETS	\$562
MOD	VALVE DRILLING - SPECIFY HOLE SIZE	\$56
MOD	INSTALL STANDARD SYMMONS VALVE PACKAGE	\$633
MOD	INSTALL HANS GROHE THERMOSTATIC VALVE PACKAGE (XLT)	\$501
MOD	INSTALL POWERS VALVE PACKAGE (XLT)	\$656
MOD	INSTALL 30" SLIDE BAR / HS KIT	\$411
MOD	ARMORSHIELD P3 PROTECTION	\$149
MOD	TUBGUARD P3 PROTECTION 60" TUB SHOWER	\$86
CURTAIN RODS		
ROD	CURTAIN ROD U CUP HOLDER PAIR	\$14
ROD	1" OD 20 GAUGE SS	\$71
ROD	1" OD 20 GAUGE WHITE	\$138
FIELD INSTALLED ACCESSORIES		
LOOSE	CURTAIN HEAVY DUTY 66" X 72" WHITE VINYL	\$119
LOOSE	TUBGUARD P3 PRO FIELD INST - STANDARD 60" TUB SHOWER	\$89
ADDITIONAL ACCESSORIES AND SERVICES MAY BE AVAILABLE UPON REQUEST		



G 3260 TS IBS

PHOTOGRAPH AT LEFT ILLUSTRATES PACKAGE ONE (HANDED BY VALVE WALL RIGHT)

**Sanitary Grade Polyester Gelcoat
Three Year Warranty**

Primary Applications:

- Healthcare
- College Dormitory
- Hospitality
- Schools
- Assisted Living

WELL INFORMATION

WELL DEPTH: 9.5"
WELL L TO R: 48"
WELL FRONT TO BACK: 18"
GALLONS TO OVERFLOW: 42
SLOPE OF DRAIN: .375" per ft.

705A rev. 09/25/07

G 3260 TS I

OD: 60" x 32.375" x 76.75"
4.125" ABOVE FLOOR ROUGH
WEIGHT: 170
LOAD FACTOR: 1.13
HANDED BY: VALVE WALL L/R



Special Notes: This unit complies with ANSI Z124.1, ICC/ANSI A117.1, UPC, HUD, ASTM F462, ASTM E84, ADA, ABA, SBCCI, NAHB, UFAS.
Warranty: Gelcoat models have a 3 year limited warranty. Acrylic models have a 5 year limited warranty. Pumps, parts, and accessories 1 year limited warranty.
For further details please refer to the complete warranty section.
Due to the nature of the materials, dimensions may vary +/- 1/2".
DRAWING REQUEST MUST BE MADE FOR PACKAGE 2 DRAWING AND BUILT TO ORDER UNITS.

Hamilton Bathware/Praxis Companies, LLC.

435 Industrial Road, Savannah • Tennessee 38372 • Customer Service: 800.326.5489 • Fax: 888.246.0466 • www.hamiltonbathware.com

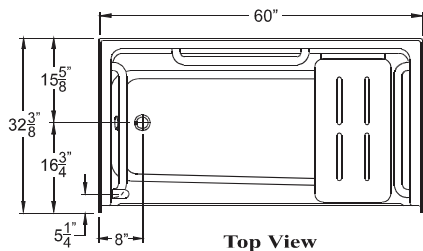
Product Availability
Hamilton Northeast
STD-STANDARD LEADTIME

Product Availability
Hamilton Mid-America
Download from www.Somanuals.com. All Manuals Search And Download.

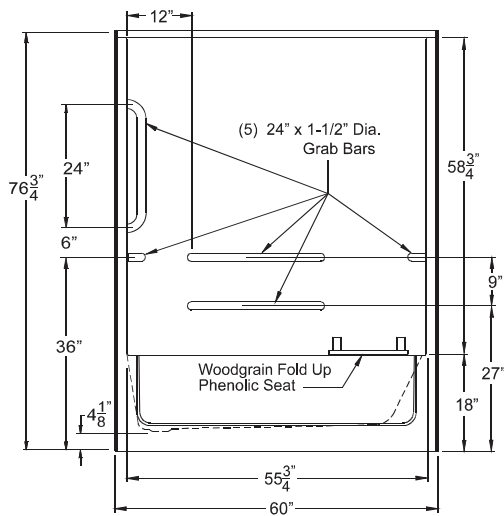
Product Availability
Hamilton South
NA-NOT AVAILABLE
*SEE UNIT G 6092 TS IBS

PACKAGE ONE - ADA/ANSI/TAS G 3260 TS IBS

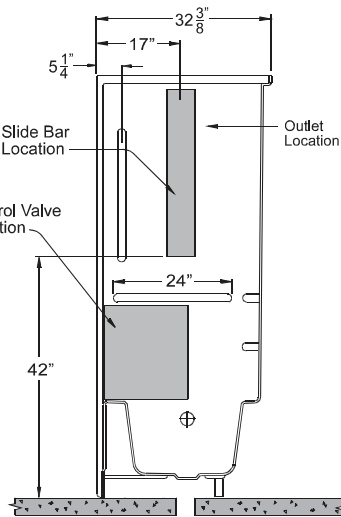
No modifications accepted (Packaged units only)



Top View



Front View

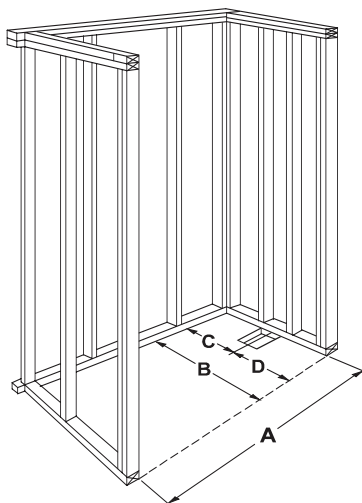


Side View

NOTE: Due to the nature of the materials, dimension may vary \pm 1/2".

ADA/TAS COMPLIANCE REQUIREMENTS

For ADA/TAS compliance: seat securely mounted at head end, one horizontal grab bar mounted on the valve wall, two horizontal grab bars mounted on the back wall, one horizontal grab bar mounted on the head wall and one vertical grab bar mounted on the valve wall near the entry. Pressure balancing mixing valve, hand held shower with slide bar, vacuum breaker and 60" hose. Unit and accessories must be installed per ADA/TAS and Praxis guidelines.



FRAMING DIMENSIONS

A	B	C	D
60 ¹ / ₄ "	32 ³ / ₈ "	15 ⁵ / ₈ "	16 ³ / ₄ "

6" x 6" minimum opening in floor for drain connection

STANDARD FEATURES

- High gloss gelcoat finish
- One piece design
- Phenolic fold up seat
- Stainless steel grab bars

STANDARD CODES

- ANSI Z124.1
- ASTM F463
- ASTM E84
- SBCCI
- NAHB
- UPC

ADA CODES

- ICC/ANSI A117.1
 - HUD/ADA
 - UFAS
 - TAS
- (when fully equipped)
Unit configured with standard features, pressure balanced control valve and hand held shower package.

Confirm any requested loose accessories desired by circling the items on page one. Submittal drawing required for Prepackaged model. **NO MODIFICATIONS ACCEPTED.** All built to order model configurations and submittal drawings must be ordered.

UPC/SKU NUMBERS Left Hand Valve: _____ Right Hand Valve: _____

ATTENTION PLUMBING CONTRACTOR!!! THIS ORDER WILL NOT BE PROCESSED UNLESS THIS DOCUMENT IS SIGNED, DATED AND A CONTACT PHONE NUMBER OF THE PLUMBING CONTRACTOR IS PROVIDED.

Signed: Date: Contact Phone Number:

Customer Service: (800)-443-7269 Fax: (731)-925-0379

Commercial Showers & Tub Showers

60" Gelcoat Tub/Shower



Hamilton
BATHWARE

MAS Tub Showers ONE-PIECE OPEN TOP GELCOAT

705B- NO MODIFICATIONS TO PACKAGES. FOR BUILT TO ORDER UNIT, SELECT BASE UNIT AND ACCESSORIES.	
PKG 1-MAS: G 3260 TS IBS MAS	List: \$1490
18" APRON SHIM	
HANDED BY VALVE WALL L/R WHITE POLYESTER GELCOAT FINISH	
Factory Installed Accessories (VALVE/SHOWER KIT NOT INCLUDED IN PKG1)	
S-BAR	48" X 1.25" PEENED SS
S-BAR	48" X 1.25" PEENED SS
SEAT	28" X 15" WHITE TRI FOLD REMOVABLE
FOR MAS COMPLIANCE: TRI FOLD REMOVABLE SEAT AT HEAD END OF TUB SHALL BE PROVIDED AND SECURELY MOUNTED, INSTALLED ACCESSORIES MUST INCLUDE: TWO 48" PEENED OR TEXTURED GRAB BARS ON BACK WALL, PRESSURE BALANCING MIXING VALVE, HAND HELD SHOWER WITH SLIDE BAR, VACUUM BREAKER AND 60" HOSE. UNIT AND ACCESSORIES INSTALLED PER MAS & PRAXIS INSTALLATION & WARRANTY GUIDELINES.	
BUILD TO ORDER BASE PLUS ACCESSORIES	
BASE UNIT 1: G 3260 TS I MAS	List: \$777
18" APRON SHIM	
Handed by Valve Wall L/R	
Reinforced for Standard Accessories	
BASE UNIT OPTIONAL ACCESSORIES	List:
FINISHES	
STANDARD FINISH- POLYESTER GELCOAT FINISH: WHITE, BONE, BISCUIT	\$0
GRAB BARS	
S-BAR	24" X 1.25" PEENED SS \$136
S-BAR	24" X 1.25" TEXTURED WHITE \$157
S-BAR	48" X 1.25" PEENED SS \$139
S-BAR	48" X 1.25" TEXTURED WHITE \$329
STANDARD SEATS (REMOVABLE)	
SEAT	28" X 15" WHITE TRI FOLD REMOVABLE \$434
FACTORY MODIFICATIONS	
MOD	WHIRLPOOL SYSTEM WITH 3/4 HORSE POWER AND 4 JETS \$562
MOD	VALVE DRILLING - SPECIFY HOLE SIZE \$56
MOD	INSTALL STANDARD SYMMONS VALVE PACKAGE \$633
MOD	INSTALL HANS GROHE THERMOSTATIC VALVE PACKAGE (XLT) \$501
MOD	INSTALL POWERS VALVE PACKAGE (XLT) \$656
MOD	INSTALL 30" SLIDE BAR / HS KIT \$411
MOD	ARMORSHIELD P3 PROTECTION \$149
MOD	TUBGUARD P3 PROTECTION 60" TUB SHOWER \$86
CURTAIN RODS	
ROD	CURTAIN ROD U CUP HOLDER PAIR \$14
ROD	1" OD 20 GAUGE SS \$71
ROD	1" OD 20 GAUGE WHITE \$138
FIELD INSTALLED ACCESSORIES	
LOOSE	CURTAIN HEAVY DUTY 66" X 72" WHITE VINYL \$119
LOOSE	TUBGUARD P3 PRO FIELD INST - STANDARD 60" TUB SHOWER \$89
ADDITIONAL ACCESSORIES AND SERVICES MAY BE AVAILABLE UPON REQUEST	



G 3260 TS IBS MAS

PHOTOGRAPH AT LEFT ILLUSTRATES PACKAGE ONE (HANDED BY VALVE WALL RIGHT)

**Sanitary Grade Polyester Gelcoat
Three Year Warranty**

Primary Applications:

- Healthcare
- College Dormitory
- Hospitality
- Schools
- Assisted Living

WELL INFORMATION

WELL DEPTH: 9.5"
WELL L TO R: 48"
WELL FRONT TO BACK: 18"
GALLONS TO OVERFLOW: 42
SLOPE OF DRAIN: .375" per ft.

705B

rev. 09/25/07

G 3260 TS I MAS

OD: 60" x 32.375" x 76.75"
4.125" ABOVE FLOOR ROUGH
WEIGHT: 170
LOAD FACTOR: 1.3
HANDED BY: VALVE WALL L/R

*UNIT IS NOT AVAILABLE IN THE SOUTHERN MARKET. SEE COMPARABLE UNIT G 6092 TS MAS.

Special Notes: This unit complies with MAS, ANSI Z124.1, NAHB, UPC, ASTM F462, ASTM E84.

Warranty: Gelcoat models have a 3 year limited warranty. Acrylic models have a 5 year limited warranty. Pumps, parts, and accessories 1 year limited warranty.

For further details please refer to the complete warranty section.

Due to the nature of the materials, dimensions may vary +/- 1/2".

DRAWING REQUEST MUST BE MADE FOR PACKAGE 2 DRAWING AND BUILT TO ORDER UNITS.



Hamilton Bathware/Praxis Companies, LLC.

435 Industrial Road, Savannah • Tennessee 38372 • Customer Service: 800.326.5489 • Fax: 888.246.0466 • www.hamiltonbathware.com

Product Availability
Hamilton Northeast
STD-STANDARD LEADTIME

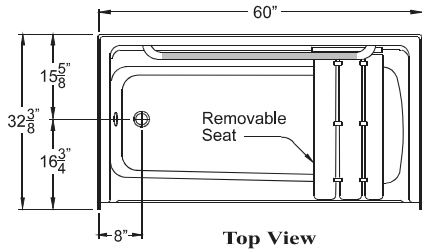
Product Availability
Hamilton Mid-America

Product Availability
Hamilton South
NA-NOT AVAILABLE
*SEE UNIT G 6092 TS IBS

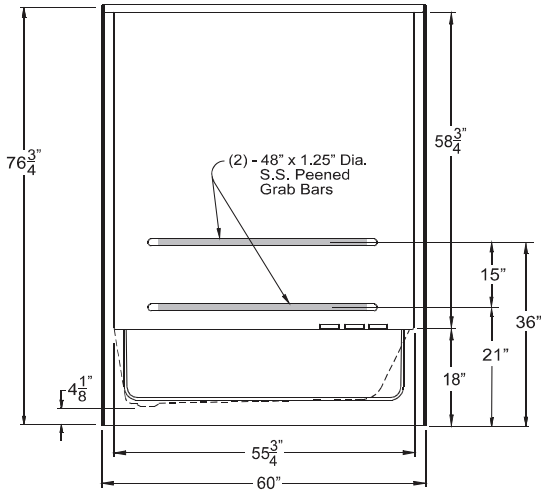
Download from www.Somanuals.com. All Manuals Search And Download.

PACKAGE ONE - MAS G 3260 TS IBS MAS

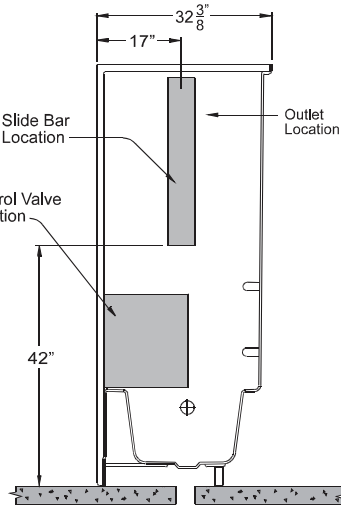
No modifications accepted (Packaged units only)



Top View



Front View

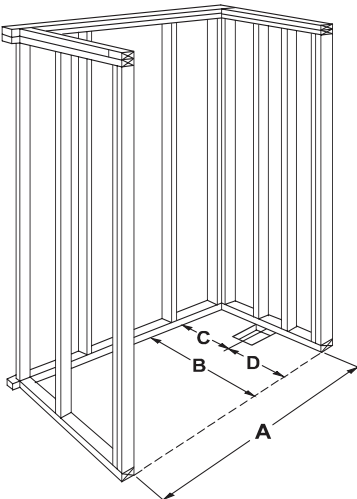


Side View

NOTE: Due to the nature of the materials, dimension may vary $\pm 1/2"$.

MAS COMPLIANCE REQUIREMENTS

For MAS compliance installed accessories must include: Removable seat at head end, two peened horizontal grab bars on the back wall, pressure balancing mixing valve, hand held shower with 30" slide bar, vacuum breaker and 60" hose. Unit and accessories must be installed per MAS and Praxis guidelines.



FRAMING DIMENSIONS

A	B	C	D
60 $\frac{1}{4}$ "	32 $\frac{3}{8}$ "	15 $\frac{5}{8}$ "	16 $\frac{3}{4}$ "

6" x 6" minimum opening in floor for drain connection

STANDARD FEATURES

- High gloss gelcoat finish
- One piece design
- Tri-fold Removable seat
- Stainless steel grab bars

STANDARD CODES

- ANSI Z124.1
- ASTM F463
- ASTM E84
- SBCCI
- NAHB
- UPC

MASSACHUSETTS ARCHITECTURAL ACCESS BOARD

MAS

(when fully equipped)
Unit configured with standard features, pressure balanced control valve and hand held shower package.

Confirm any requested loose accessories desired by circling the items on page one. Submittal drawing required for Prepackaged model. **NO MODIFICATIONS ACCEPTED.** All built to order model configurations and submittal drawings must be ordered.

UPC/SKU NUMBERS Left Hand Valve: _____ Right Hand Valve: _____

ATTENTION PLUMBING CONTRACTOR!!! THIS ORDER WILL NOT BE PROCESSED UNLESS THIS DOCUMENT IS SIGNED, DATED AND A CONTACT PHONE NUMBER OF THE PLUMBING CONTRACTOR IS PROVIDED.

Signed: Date: Contact Phone Number:

Customer Service: (800)-443-7269 Fax: (731)-925-0379

62" Gelcoat Shower



Hamilton
BATHWARE

ADA / ANSI Roll-In Showers ONE-PIECE GELCOAT

706A- NO MODIFICATIONS TO PACKAGES. FOR BUILT TO ORDER UNIT, SELECT BASE UNIT AND ACCESSORIES.

PKG ONE-ADA/ANSI: G 6239 IBS	List: \$1950
.75" NO RECESS BF THRESHOLD	MUDSET
Handed by SEAT L/R	WHITE POLYESTER GELCOAT FINISH
Factory Installed Accessories (VALVE/SHOWER KIT NOT INCLUDED IN PKG1)	
L-BAR	37" X 33" X 1.5" SMOOTH SS
SEAT	32" X 21" FRAMELESS WHITE HDPE FOLD UP

FOR ADA/ANSI COMPLIANCE WITH SEAT: INSTALLED ACCESSORIES MUST INCLUDE: L-SEAT, L-BAR, PRESSURE BALANCING MIXING VALVE, HAND HELD SHOWER WITH SLIDE BAR (BACK WALL, WITH IN REACH OF SEATED USER), VACUUM BREAKER AND 60" HOSE. UNIT AND ACCESSORIES INSTALLED PER ADA/ANSI & PRAXIS INSTALLATION & WARRANTY GUIDELINES.

PKG TWO-ADA/ANSI: G 6239 IB	List: \$1308
.75" NO RECESS BF THRESHOLD	MUDSET
Handed by CENTER DRAIN	WHITE POLYESTER GELCOAT FINISH
Factory Installed Accessories (VALVE/SHOWER KIT NOT INCLUDED IN PKG2)	
U-BAR	33.5" X 60.5" 33.5" X 1.5" SMOOTH SS W/ CENTER FLANGE

FOR ADA/ANSI COMPLIANCE LESS SEAT: INSTALLED ACCESSORIES MUST INCLUDE: U-BAR, PRESSURE BALANCING MIXING VALVE, HAND HELD SHOWER WITH SLIDE BAR (ON ANY WALL), VACUUM BREAKER AND 60" HOSE. UNIT AND ACCESSORIES INSTALLED PER ADA/ANSI & PRAXIS INSTALLATION & WARRANTY GUIDELINES.

BUILD TO ORDER BASE PLUS ACCESSORIES

BASE UNIT 1: G 6239 I	List: \$978
SPECIFY THRESHOLD HEIGHT	MUDSET
Handed by CENTER DRAIN OR SEAT L/R	
Reinforced for Standard Accessories	

BASE UNIT OPTIONAL ACCESSORIES

FINISHES	List:
STANDARD FINISH- POLYESTER GELCOAT FINISH: WHITE, BONE, BISCUIT	\$0

GRAB BARS		
L-BAR	37" X 33" X 1.5" SMOOTH SS	\$224
L-BAR	37" X 33" X 1.25" SMOOTH WHITE CC	\$235
U-BAR	33.5" X 60.5" 33.5" X 1.5" SMOOTH SS W/ CENTER FLANGE	\$386
U-BAR	33.5" X 60.5" 33.5" X 1.25" SMOOTH WHITE W/ CENTER FLANGE	\$487

INSIDE CURTAIN LINE SEATS (REVISED ADA-ABA 2004)		
SEAT	32" X 21" FRAMELESS WHITE HDPE FOLD UP	\$747
SEAT	32" X 21" FRAMELESS WHITE PADDED FOLD UP	\$747
SEAT	32" X 21" FRAMELESS WOODGRAIN PHENOLIC FOLD UP	\$747

FACTORY MODIFICATIONS		
MOD	VALVE DRILLING - SPECIFY HOLE SIZE	\$56
MOD	2" BF THRESHOLD	\$0
MOD	.75" NO RECESS BF THRESHOLD	\$111
MOD	INSTALL STANDARD SYMMONS VALVE PACKAGE	\$633
MOD	INSTALL HANS GROHE THERMOSTATIC VALVE PACKAGE (XLT)	\$501
MOD	INSTALL POWERS VALVE PACKAGE (XLT)	\$656
MOD	INSTALL 30" SLIDE BAR / HS KIT	\$411
MOD	ARMORSHIELD P3 PROTECTION	\$149
MOD	TUBGUARD P3 PROTECTION 60" X 36" BF	\$86

CURTAIN RODS		
ROD	CURTAIN ROD U CUP HOLDER PAIR	\$14
ROD	1" OD 20 GAUGE SS	\$71
ROD	1" OD 20 GAUGE WHITE	\$138

FIELD INSTALLED ACCESSORIES		
LOOSE	CURTAIN PREMIUM 66" X 72" WHITE NYLON WTD	\$180
LOOSE	CURTAIN HEAVY DUTY 66" X 72" WHITE VINYL WTD	\$119
LOOSE	TUBGUARD P3 PRO FIELD INST 60" X 36" BF	\$74

ADDITIONAL ACCESSORIES AND SERVICES MAY BE AVAILABLE UPON REQUEST

Special Notes: This unit complies with ANSI Z124.2, ICC/ANSI A117.1, UPC, HUD, ASTM F462, ASTM E84, ADA, ABA, SBCCI, NAHB, UFAS. Warranty: Gelcoat models have a 3 year limited warranty. Acrylic models have a 5 year limited warranty. Pumps, parts, and accessories 1 year limited warranty. For further details please refer to the complete warranty section. Due to the nature of the materials, dimensions may vary +/- 1/2". DRAWING REQUEST MUST BE MADE FOR PACKAGE 2 DRAWING AND BUILT TO ORDER UNITS.

Hamilton Bathware/Praxis Companies, LLC.

435 Industrial Road, Savannah • Tennessee 38372 • Customer Service: 800.326.5489 • Fax: 888.246.0466 • www.hamiltonbathware.com



G 6239 IBS

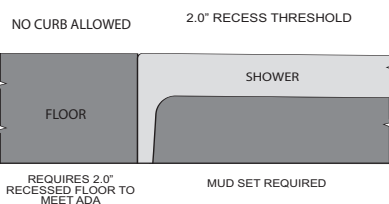
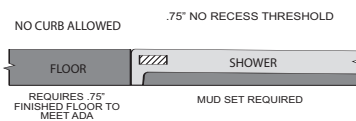
PHOTOGRAPH AT LEFT ILLUSTRATES PACKAGE ONE (HANDED BY SEAT LEFT)

Sanitary Grade Polyester Gelcoat Three Year Warranty

Primary Applications:

- Healthcare
- College Dormitory
- Hospitality
- Schools
- Public Buildings

ADA Roll-In Shower Threshold Requirements:



706A

rev. 09/25/07

G 6239 I

OD: 62" x 39.5" x 78.75"

ID: 60" x 36" CENTER POINT

WEIGHT: 200

LOAD FACTOR: 2

HANDED BY: CENTER DRAIN OR SEAT L/R



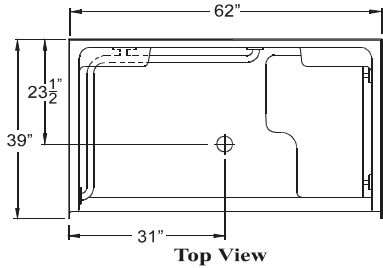
Product Availability
Hamilton Northeast
STD-STANDARD LEADTIME

Product Availability
Hamilton Mid-America
STD-STANDARD LEADTIME

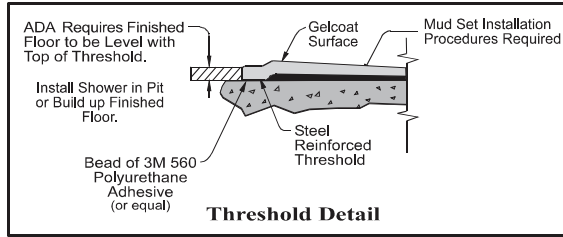
Product Availability
Hamilton South
STD-STANDARD LEADTIME

PACKAGE ONE - ADA/ANSI G 6239 IBS

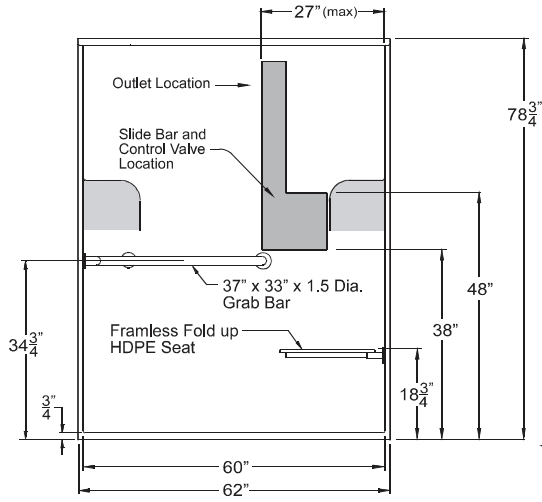
No modifications accepted (Packaged units only)



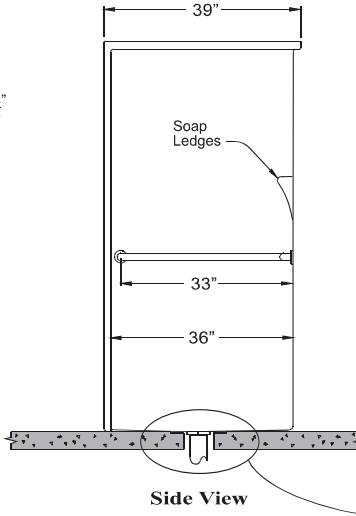
Top View



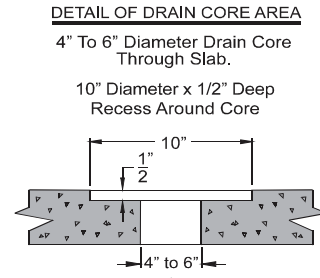
Threshold Detail



Front View



Side View

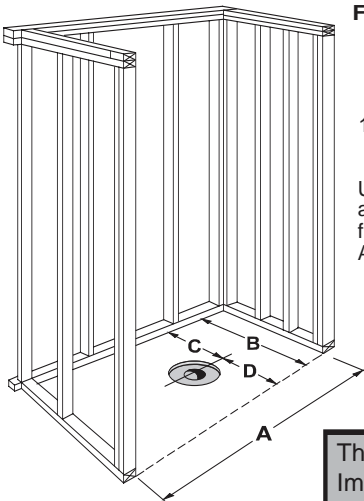


DETAIL OF DRAIN CORE AREA

NOTE: Due to the nature of the materials, dimension may vary + - 1/2".

ADA COMPLIANCE REQUIREMENTS

For ADA compliance with seat: Installed accessories must include: horizontal L-grab bar, L-shaped fold up seat, pressure balancing mixing valve, hand shower with slide bar (on back wall within reach of seated user), vacuum breaker and 60" hose. Unit and accessories installed per ADA and Praxis guidelines.



FRAMING DIMENSIONS

A	B	C	D
62 1/4"	39"	23 1/2"	15 1/2"

10" Diameter x 1/2" Deep Recess Around Drain Core

Unit must be installed into a recessed pit -or- build up finished floor to comply with ADA threshold guidelines.

STANDARD FEATURES

- High gloss gelcoat finish
- Low threshold entry
- Molded soap dishes
- HDPE fold up seat
- Stainless steel grab bar

STANDARD CODES

- ANSI Z124.2
- ASTM F463
- ASTM E84
- SBCCI
- NAHB
- UPC

ADA CODES

- ICC/ANSI A117.1
- HUD/ADA
- UFAS

(when fully equipped)
Unit configured with standard features, pressure balanced control valve and hand held shower package.

Confirm any requested loose accessories desired by circling the items on page one.

Submittal drawing required for Prepackaged model. **NO MODIFICATIONS ACCEPTED.**

All built to order model configurations and submittal drawings must be ordered.

UPC/SKU NUMBERS Left Hand Valve: _____ Right Hand Valve: _____

This model included in the **PRAXIS QUALITY INSTALLATION ASSURANCE PROGRAM.** Important installation procedures **MUST** be followed for the fixture to be granted a warranty.

ATTENTION PLUMBING CONTRACTOR!!! THIS ORDER WILL NOT BE PROCESSED UNLESS THIS DOCUMENT IS SIGNED, DATED AND A CONTACT PHONE NUMBER OF THE PLUMBING CONTRACTOR IS PROVIDED. FOR ORDERS OF FOUR OR MORE UNITS, PARTICIPATION IN THE PRAXIS QUALITY INSTALLATION ASSURANCE PROGRAM IS MANDATORY FOR ACTIVATION OF PRODUCT WARRANTY.

Signed: Date: Contact Phone Number:

Praxis Quality Installation Assurance Program Information: Phone: (800)-759-7744 ext: 29.

Customer Service: (800)-443-7269 Fax: (731)-925-0379

Commercial Showers & Tub Showers

62" Gelcoat Shower



Hamilton
BATHWARE

MAS Roll-In Showers ONE-PIECE GELCOAT

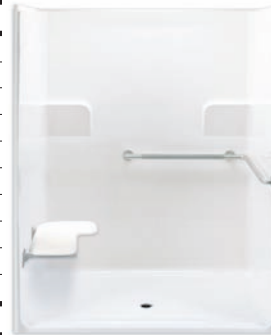
706B- NO MODIFICATIONS TO PACKAGES. FOR BUILT TO ORDER UNIT, SELECT BASE UNIT AND ACCESSORIES.		
PKG ONE-MAS: G 6239 IBS MAS		List: \$1951
.75" NO RECESS BF THRESHOLD	MUDSET	
Handed by SEAT L/R	WHITE POLYESTER GELCOAT FINISH	
Factory Installed Accessories (VALVE/SHOWER KIT NOT INCLUDED IN PKG1)		
L-BAR	37" X 33" X 1.25" PEENED SS	
SEAT	32" X 21" FRAMELESS WHITE PADDED FOLD UP	
FOR MAS COMPLIANCE WITH SEAT: NO CURB ALLOWED, INSTALLED ACCESSORIES MUST INCLUDE: PEENED OR TEXTURED L-BAR, PADDED L-SEAT, PRESSURE BALANCING MIXING VALVE, HAND HELD SHOWER WITH SLIDE BAR (BACK WALL, WITH IN REACH OF SEATED USER), VACUUM BREAKER AND 60" HOSE. UNIT AND ACCESSORIES INSTALLED PER MAS & PRAXIS INSTALLATION & WARRANTY GUIDELINES.		
BUILD TO ORDER BASE PLUS ACCESSORIES		
BASE UNIT 1: G 6239 I MAS		List: \$978
SPECIFY THRESHOLD HEIGHT	MUDSET	
Handed by SEAT L/R		
Reinforced for Standard Accessories		
BASE UNIT OPTIONAL ACCESSORIES		List:
FINISHES		
STANDARD FINISH- POLYESTER GELCOAT FINISH: WHITE, BONE, BISCUIT		\$0
GRAB BARS		
L-BAR	37" X 33" X 1.25" PEENED SS	\$225
L-BAR	37" X 33" X 1.25" TEXTURED WHITE CC	\$291
INSIDE CURTAIN LINE SEATS (REVISED ADA-ABA 2004)		
SEAT	32" X 21" FRAMELESS WHITE PADDED FOLD UP	\$747
FACTORY MODIFICATIONS		
MOD	VALVE DRILLING - SPECIFY HOLE SIZE	\$56
MOD	2" BF THRESHOLD	\$0
MOD	.75" NO RECESS BF THRESHOLD	\$111
MOD	INSTALL STANDARD SYMMONS VALVE PACKAGE	\$633
MOD	INSTALL HANS GROHE THERMOSTATIC VALVE PACKAGE (XLT)	\$501
MOD	INSTALL POWERS VALVE PACKAGE (XLT)	\$656
MOD	INSTALL 30" SLIDE BAR / HS KIT	\$411
MOD	ARMORSHIELD P3 PROTECTION	\$149
MOD	TUBGUARD P3 PROTECTION 60" X 36" BF	\$86
CURTAIN RODS		
ROD	CURTAIN ROD U CUP HOLDER PAIR	\$14
ROD	1" OD 20 GAUGE SS	\$71
ROD	1" OD 20 GAUGE WHITE	\$138
FIELD INSTALLED ACCESSORIES		
LOOSE	CURTAIN PREMIUM 66" X 72" WHITE NYLON WTD	\$180
LOOSE	CURTAIN HEAVY DUTY 66" X 72" WHITE VINYL WTD	\$119
LOOSE	TUBGUARD P3 PRO FIELD INST 60" X 36" BF	\$74

ADDITIONAL ACCESSORIES AND SERVICES MAY BE AVAILABLE UPON REQUEST

Special Notes: This unit complies with MAS, ANSI Z124.2, NAHB, UPC, ASTM F462, ASTM E84.
Warranty: Gelcoat models have a 3 year limited warranty. Acrylic models have a 5 year limited warranty.
Pumps, parts, and accessories 1 year limited warranty. For further details please refer to the complete warranty section.

Due to the nature of the materials, dimensions may vary +/- .1/2".

DRAWING REQUEST MUST BE MADE FOR PACKAGE 2 DRAWING AND BULIT TO ORDER UNITS.



G 6239 IBS MAS

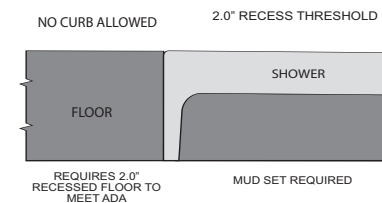
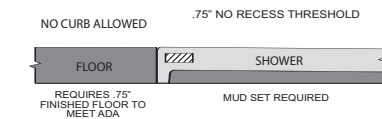
PHOTOGRAPH AT LEFT ILLUSTRATES PACKAGE ONE (HANDED BY SEAT LEFT)

Sanitary Grade Polyester Gelcoat
Three Year Warranty

Primary Applications:

- Healthcare
- College Dormitory
- Hospitality
- Schools
- Assisted Living

MAS Roll-In Shower Threshold Requirements:



706B

rev. 09/25/07

G 6239 I MAS

OD: 62" x 39.5" x 78.75"

ID: 60" x 36" CENTER POINT

WEIGHT: 200

LOAD FACTOR: 2

HANDED BY: CENTER DRAIN OR SEAT L/R



Hamilton Bathware/Praxis Companies, LLC.

435 Industrial Road, Savannah • Tennessee 38372 • Customer Service: 800.326.5489 • Fax: 888.246.0466 • www.hamiltonbathware.com

Product Availability
Hamilton Northeast
STD-STANDARD LEADTIME

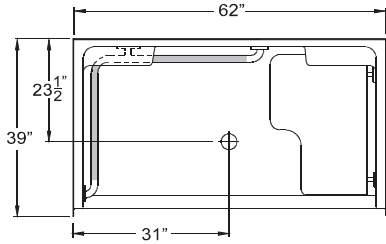
Product Availability
Hamilton Mid-America

Product Availability
Hamilton South

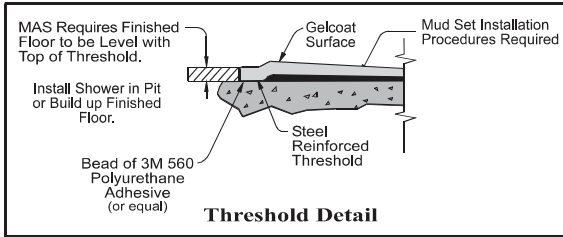
STD-STANDARD LEADTIME

PACKAGE ONE - MAS G 6239 IBS MAS

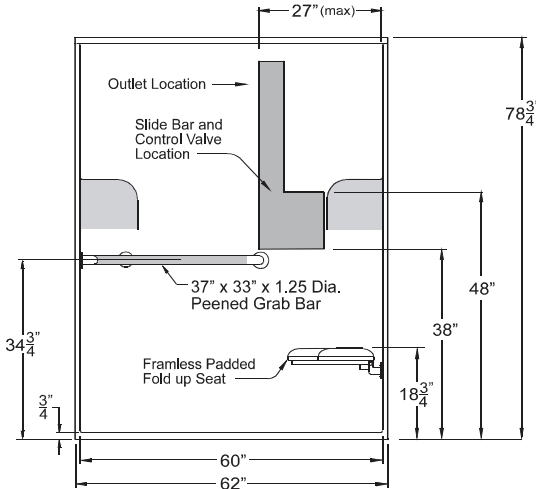
No modifications accepted (Packaged units only)



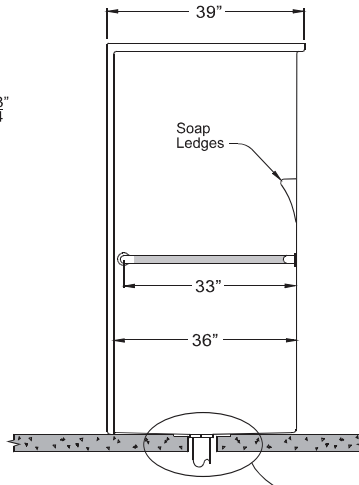
Top View



Threshold Detail



Front View

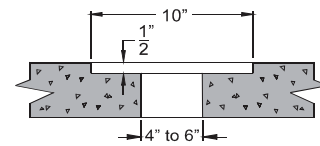


Side View

DETAIL OF DRAIN CORE AREA

4" To 6" Diameter Drain Core Through Slab.

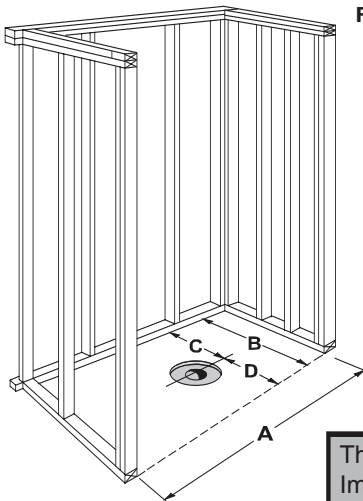
10" Diameter x 1/2" Deep Recess Around Core



NOTE: Due to the nature of the materials, dimension may vary $\pm 1/2"$.

MAS COMPLIANCE REQUIREMENTS

For MAS compliance with seat: Installed accessories must include: L-shaped padded fold up seat, horizontal peened L-grab bar, pressure balancing mixing valve, hand held shower with 30" slide bar (on back wall within reach of seated user), vacuum breaker and 60" hose. Unit and accessories must be installed per MAS and Praxis guidelines.



FRAMING DIMENSIONS

A	B	C	D
62 $\frac{1}{4}$ "	39"	23 $\frac{1}{2}$ "	15 $\frac{1}{2}$ "

10" Diameter x 1/2" Deep Recess Around Drain Core

Unit must be installed into a recessed pit -or- build up finished floor to comply with MAS threshold guidelines.

Confirm any requested loose accessories desired by circling the items on page one.

Submittal drawing required for Prepackaged model. **NO MODIFICATIONS ACCEPTED.**

All built to order model configurations and submittal drawings must be ordered.

UPC/SKU NUMBERS Left Hand Valve: _____ Right Hand Valve: _____

This model included in the **PRAXIS QUALITY INSTALLATION ASSURANCE PROGRAM.** Important installation procedures **MUST** be followed for the fixture to be granted a warranty.

STANDARD FEATURES

- High gloss gelcoat finish
- Low threshold entry
- Molded soap dishes
- Padded fold up seat
- Stainless steel grab bars

STANDARD CODES

- ANSI Z124.2
- ASTM F463
- ASTM E84
- SBCCI
- NAHB
- UPC

MASSACHUSETTS ARCHITECTURAL ACCESS BOARD

- MAS

(when fully equipped)
Unit configured with standard features, pressure balanced control valve and hand held shower package.

ATTENTION PLUMBING CONTRACTOR!!! THIS ORDER WILL NOT BE PROCESSED UNLESS THIS DOCUMENT IS SIGNED, DATED AND A CONTACT PHONE NUMBER OF THE PLUMBING CONTRACTOR IS PROVIDED. FOR ORDERS OF FOUR OR MORE UNITS, PARTICIPATION IN THE PRAXIS QUALITY INSTALLATION ASSURANCE PROGRAM IS MANDATORY FOR ACTIVATION OF PRODUCT WARRANTY.

Signed: Date: Contact Phone Number:

Praxis Quality Installation Assurance Program Information: Phone: (800)-759-7744 ext: 29.

Customer Service: (800)-443-7269 Fax: (731)-925-0379

62" Gelcoat Shower



Hamilton
BATHWARE

ADA / ANSI Roll-In Showers ONE-PIECE GELCOAT

707A- NO MODIFICATIONS TO PACKAGES. FOR BUILT TO ORDER UNIT, SELECT BASE UNIT AND ACCESSORIES.

PKG ONE-ADA/ANSI: G 6233 IBS	List: \$1899
.75" NO RECESS BF THRESHOLD	MUDSET
Handed by SEAT L/R	WHITE POLYESTER GELCOAT FINISH
Factory Installed Accessories (VALVE/SHOWER KIT NOT INCLUDED IN PKG1)	
L-BAR	27" x 37" x 1.5" SMOOTH SS
SEAT	26" X 21" FRAMELESS WHITE HDPE

FOR ADA/ANSI COMPLIANCE WITH SEAT: INSTALLED ACCESSORIES MUST INCLUDE: L-SEAT, L-BAR, PRESSURE BALANCING MIXING VALVE, HAND HELD SHOWER WITH SLIDE BAR (BACK WALL, WITH IN REACH OF SEATED USER), VACUUM BREAKER AND 60" HOSE. UNIT AND ACCESSORIES INSTALLED PER ADA/ANSI & PRAXIS INSTALLATION & WARRANTY GUIDELINES.

PKG TWO-ADA/ANSI: G 6233 IB	List: \$1274
.75" NO RECESS BF THRESHOLD	MUDSET
Handed by CENTER DRAIN	WHITE POLYESTER GELCOAT FINISH
Factory Installed Accessories (VALVE/SHOWER KIT NOT INCLUDED IN PKG2)	
U-BAR	27" X 60" X 27" X 1.5" SMOOTH SS W/ CENTER FLANGE

FOR ADA/ANSI COMPLIANCE LESS SEAT: INSTALLED ACCESSORIES MUST INCLUDE: U-BAR, PRESSURE BALANCING MIXING VALVE, HAND HELD SHOWER WITH SLIDE BAR (ON ANY WALL), VACUUM BREAKER AND 60" HOSE. UNIT AND ACCESSORIES INSTALLED PER ADA/ANSI & PRAXIS INSTALLATION & WARRANTY GUIDELINES.

BUILD TO ORDER BASE PLUS ACCESSORIES

BASE UNIT 1: G 6233 I	List: \$957
SPECIFY THRESHOLD HEIGHT	MUDSET
Handed by CENTER DRAIN OR SEAT L/R	
Reinforced for Standard Accessories	

BASE UNIT OPTIONAL ACCESSORIES

FINISHES	List:
STANDARD FINISH- POLYESTER GELCOAT FINISH: WHITE, BONE, BISCUIT	\$0

GRAB BARS	
U-BAR	27" X 60" X 27" X 1.5" SMOOTH SS W/ CENTER FLANGE \$372
U-BAR	27" X 60" X 27" X 1.25" SMOOTH WHITE W/ CENTER FLANGE \$434
L-BAR	27" X 37" X 1.5" SMOOTH SS \$219
L-BAR	27" X 37" X 1.25" SMOOTH WHITE \$258

INSIDE CURTAIN LINE SEATS (REVISED ADA-ABA 2004)	
SEAT	26" X 21" FRAMELESS WHITE HDPE \$723
SEAT	26" X 21" FRAMELESS WHITE PADDED \$723
SEAT	26" X 21" FRAMELESS WOODGRAIN PHENOLIC \$723

FACTORY MODIFICATIONS	
MOD	VALVE DRILLING - SPECIFY HOLE SIZE \$56
MOD	2" BF THRESHOLD \$0
MOD	.75" NO RECESS BF THRESHOLD \$111
MOD	TUBGUARD P3 PROTECTION 60" X 30" ADA \$86
MOD	ARMORSHIELD P3 PROTECTION \$149
MOD	INSTALL 30" SLIDE BAR / HS KIT \$411
MOD	INSTALL STANDARD SYMMONS VALVE PACKAGE \$633
MOD	INSTALL HANS GROHE THERMOSTATIC VALVE PACKAGE (XLT) \$501
MOD	INSTALL POWERS VALVE PACKAGE (XLT) \$656

CURTAIN RODS	
ROD	CURTAIN ROD U CUP HOLDER PAIR \$14
ROD	1" OD 20 GAUGE SS \$71
ROD	1" OD 20 GAUGE WHITE \$138

FIELD INSTALLED ACCESSORIES	
LOOSE	CURTAIN PREMIUM 66" X 72" WHITE NYLON WTD \$180
LOOSE	CURTAIN HEAVY DUTY 66" X 72" WHITE VINYL WTD \$119
LOOSE	TUBGUARD PRO FIELD INST 60" X 30" ADA \$74

ADDITIONAL ACCESSORIES AND SERVICES MAY BE AVAILABLE UPON REQUEST

Special Notes: This unit complies with ANSI Z124.2, ICC/ANSI A117.1, UPC, HUD, ASTM F462, ASTM E84, ADA, ABA, SBCCI, NAHB, UFAS. Warranty: Gelcoat models have a 3 year limited warranty. Acrylic models have a 5 year limited warranty. Pumps, parts, and accessories 1 year limited warranty. For further details please refer to the complete warranty section. Due to the nature of the materials, dimensions may vary +/- 1/2". DRAWING REQUEST MUST BE MADE FOR PACKAGE 2 DRAWING AND BUILT TO ORDER UNITS.

Hamilton Bathware/Praxis Companies, LLC.

435 Industrial Road, Savannah • Tennessee 38372 • Customer Service: 800.326.5489 • Fax: 888.246.0466 • www.hamiltonbathware.com



G 6233 IBS

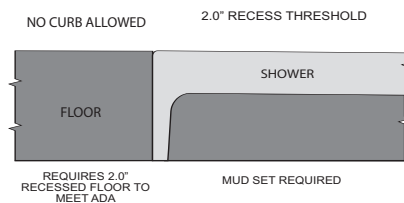
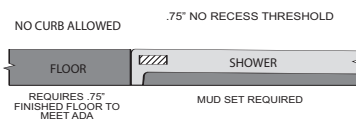
PHOTOGRAPH AT LEFT ILLUSTRATES PACKAGE ONE (HANDED BY SEAT LEFT)

Sanitary Grade Polyester Gelcoat Three Year Warranty

Primary Applications:

- Healthcare
- College Dormitory
- Hospitality
- Assisted Living

ADA Roll-In Shower Threshold Requirements:



707A

rev. 09/25/07

G 6233 IBS

OD: 62" X 33" X 78.75"

ID: 60" X 30" CENTER POINT

WEIGHT: 200

LOAD FACTOR: 1.30

HANDED BY: CENTER DRAIN OR SEAT L/R



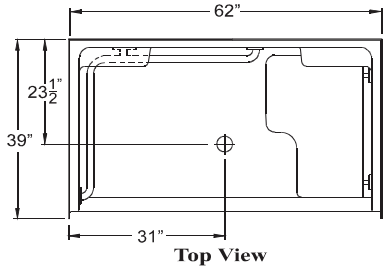
Product Availability
Hamilton Northeast
STD-STANDARD LEADTIME

Product Availability
Hamilton Mid-America
Download www.Somanuals.com. All Manuals Search And Download.

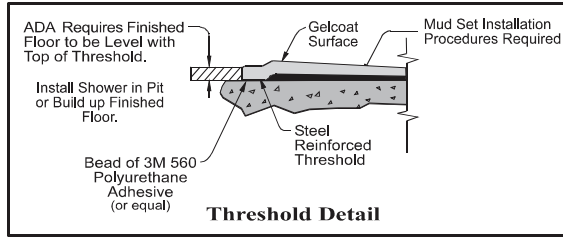
Product Availability
Hamilton South
STD-STANDARD LEADTIME

PACKAGE ONE - ADA/ANSI G 6239 IBS

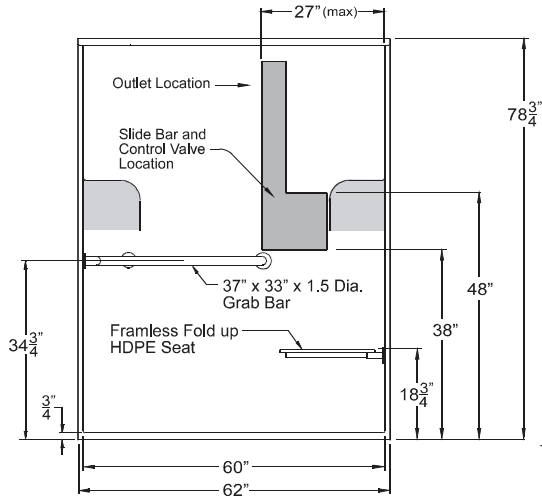
No modifications accepted (Packaged units only)



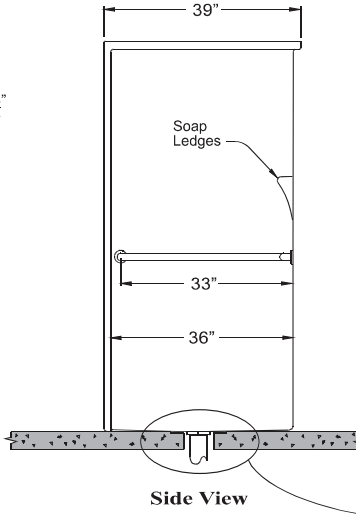
Top View



Threshold Detail



Front View

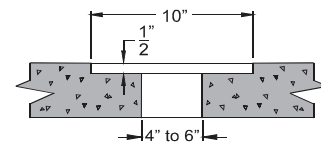


Side View

DETAIL OF DRAIN CORE AREA

4" To 6" Diameter Drain Core Through Slab.

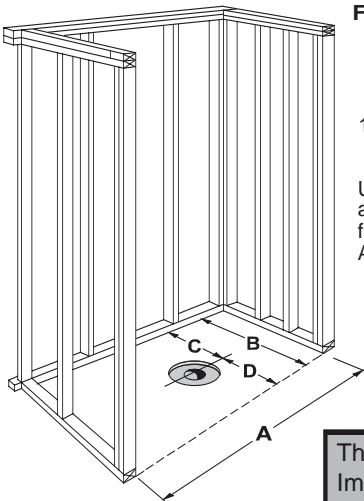
10" Diameter x 1/2" Deep Recess Around Core



NOTE: Due to the nature of the materials, dimension may vary + - 1/2".

ADA COMPLIANCE REQUIREMENTS

For ADA compliance with seat: Installed accessories must include: horizontal L-grab bar, L-shaped fold up seat, pressure balancing mixing valve, hand shower with slide bar (on back wall within reach of seated user), vacuum breaker and 60" hose. Unit and accessories installed per ADA and Praxis guidelines.



FRAMING DIMENSIONS

A	B	C	D
62 1/4"	39"	23 1/2"	15 1/2"

10" Diameter x 1/2" Deep Recess Around Drain Core

Unit must be installed into a recessed pit -or- build up finished floor to comply with ADA threshold guidelines.

STANDARD FEATURES

- High gloss gelcoat finish
- Low threshold entry
- Molded soap dishes
- HDPE fold up seat
- Stainless steel grab bar

STANDARD CODES

- ANSI Z124.2
- ASTM F463
- ASTM E84
- SBCCI
- NAHB
- UPC

ADA CODES

- ICC/ANSI A117.1
- HUD/ADA
- UFAS

(when fully equipped)
Unit configured with standard features, pressure balanced control valve and hand held shower package.

Confirm any requested loose accessories desired by circling the items on page one.

Submittal drawing required for Prepackaged model. **NO MODIFICATIONS ACCEPTED.**

All built to order model configurations and submittal drawings must be ordered.

UPC/SKU NUMBERS Left Hand Valve: _____ Right Hand Valve: _____

This model included in the **PRAXIS QUALITY INSTALLATION ASSURANCE PROGRAM.** Important installation procedures **MUST** be followed for the fixture to be granted a warranty.

ATTENTION PLUMBING CONTRACTOR!!! THIS ORDER WILL NOT BE PROCESSED UNLESS THIS DOCUMENT IS SIGNED, DATED AND A CONTACT PHONE NUMBER OF THE PLUMBING CONTRACTOR IS PROVIDED. FOR ORDERS OF FOUR OR MORE UNITS, PARTICIPATION IN THE PRAXIS QUALITY INSTALLATION ASSURANCE PROGRAM IS MANDATORY FOR ACTIVATION OF PRODUCT WARRANTY.

Signed: Date: Contact Phone Number:

Praxis Quality Installation Assurance Program Information: Phone: (800)-759-7744 ext: 29.

Customer Service: (800)-443-7269 Fax: (731)-925-0379

Commercial Showers & Tub Showers

62" Gelcoat Shower



Hamilton
BATHWARE

MAS Roll-In Showers ONE-PIECE GELCOAT

707B- NO MODIFICATIONS TO PACKAGES. FOR BUILT TO ORDER UNIT, SELECT BASE UNIT AND ACCESSORIES.		
PKG ONE-MAS: G 6233 IBS MAS		List: \$1931
.75" NO RECESS BF THRESHOLD	MUDSET	
Handed by SEAT L/R	WHITE POLYESTER GELCOAT FINISH	
Factory Installed Accessories (VALVE/SHOWER KIT NOT INCLUDED IN PKG1)		
L-BAR	27" X 37" X 1.25 PEENED SS	
SEAT	26" X 21" FRAMELESS WHITE PADDED	
FOR MAS COMPLIANCE WITH SEAT: NO CURB ALLOWED, INSTALLED ACCESSORIES MUST INCLUDE: PEENED OR TEXTURED L-BAR, PADDED SEAT, PRESSURE BALANCING MIXING VALVE, HAND HELD SHOWER WITH SLIDE BAR (BACK WALL, WITH IN REACH OF SEATED USER), VACUUM BREAKER AND 60" HOSE. UNIT AND ACCESSORIES INSTALLED PER MAS & PRAXIS INSTALLATION & WARRANTY GUIDELINES.		
BUILD TO ORDER BASE PLUS ACCESSORIES		
BASE UNIT 1: G 6233 I MAS		List: \$960
SPECIFY THRESHOLD HEIGHT	MUDSET	
Handed by SEAT L/R		
Reinforced for Standard Accessories		
BASE UNIT OPTIONAL ACCESSORIES		List: \$
FINISHES		
STANDARD FINISH- POLYESTER GELCOAT FINISH: WHITE, BONE, BISCUIT		\$0
GRAB BARS		
S-BAR	24" X 1.25" PEENED SS	\$136
S-BAR	24" X 1.25" TEXTURED WHITE	\$157
L-BAR	27" X 37" X 1.25 PEENED SS	\$248
L-BAR	27" X 37" X 1.25 TEXTURED WHITE	\$304
INSIDE CURTAIN LINE SEATS (REVISED ADA-ABA 2004)		
SEAT	26" X 21" FRAMELESS WHITE PADDED	\$723
FACTORY MODIFICATIONS		
MOD	VALVE DRILLING - SPECIFY HOLE SIZE	\$56
MOD	2" BF THRESHOLD	\$0
MOD	.75" NO RECESS BF THRESHOLD	\$111
MOD	TUBGUARD P3 PROTECTION 60" X 30" ADA	\$86
MOD	ARMORSHIELD P3 PROTECTION	\$149
MOD	INSTALL 30" SLIDE BAR / HS KIT	\$411
MOD	INSTALL STANDARD SYMMONS VALVE PACKAGE	\$633
MOD	INSTALL HANS GROHE THERMOSTATIC VALVE PACKAGE (XLT)	\$501
MOD	INSTALL POWERS VALVE PACKAGE (XLT)	\$656
CURTAIN RODS		
ROD	CURTAIN ROD U CUP HOLDER PAIR	\$14
ROD	1" OD 20 GAUGE SS	\$71
ROD	1" OD 20 GAUGE WHITE	\$138
FIELD INSTALLED ACCESSORIES		
LOOSE	CURTAIN PREMIUM 66" X 72" WHITE NYLON WTD	\$180
LOOSE	CURTAIN HEAVY DUTY 66" X 72" WHITE VINYL WTD	\$119
LOOSE	TUBGUARD P3 PRO FIELD INST 60" X 30"	\$74
ADDITIONAL ACCESSORIES AND SERVICES MAY BE AVAILABLE UPON REQUEST		



G 6233 IBS MAS

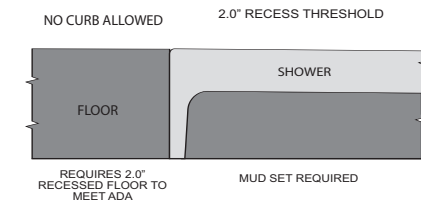
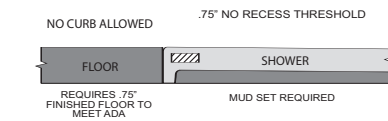
PHOTOGRAPH AT LEFT ILLUSTRATES PACKAGE ONE (HANDED BY SEAT LEFT)

Sanitary Grade Polyester Gelcoat
Three Year Warranty

Primary Applications:

- Healthcare
- College Dormitory
- Hospitality
- Schools
- Assisted Living

MAS Roll-In Shower Threshold Requirements:



707B

rev. 09/25/07

G 6233 I MAS

OD: 62" x 33" x 78.75"

ID: 60" x 30" CENTER POINT

WEIGHT: 200

LOAD FACTOR: 1.30

HANDED BY: SEAT L/R

Special Notes: This unit complies with MAS, ANSI Z124.2, NAHB, UPC, ASTM F462, ASTM E84.
Warranty: Gelcoat models have a 3 year limited warranty. Acrylic models have a 5 year limited warranty.
Pumps, parts, and accessories 1 year limited warranty. For further details please refer to the complete warranty section.

Due to the nature of the materials, dimensions may vary +/- 1/2".

DRAWING REQUEST MUST BE MADE FOR PACKAGE 2 DRAWING AND BUILT TO ORDER UNITS.



Hamilton Bathware/Praxis Companies, LLC.

435 Industrial Road, Savannah • Tennessee 38372 • Customer Service: 800.326.5489 • Fax: 888.246.0466 • www.hamiltonbathware.com

Product Availability
Hamilton Northeast
STD-STANDARD LEADTIME

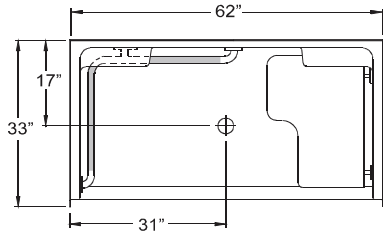
Product Availability
Hamilton Mid-America

Product Availability
Hamilton South

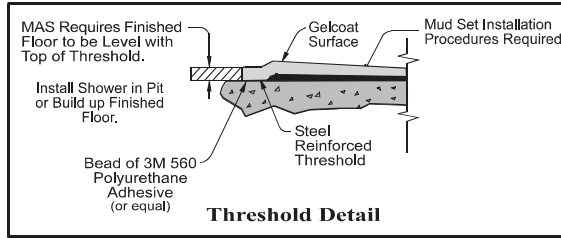
STD-STANDARD LEADTIME

PACKAGE ONE - MAS G 6233 IBS MAS

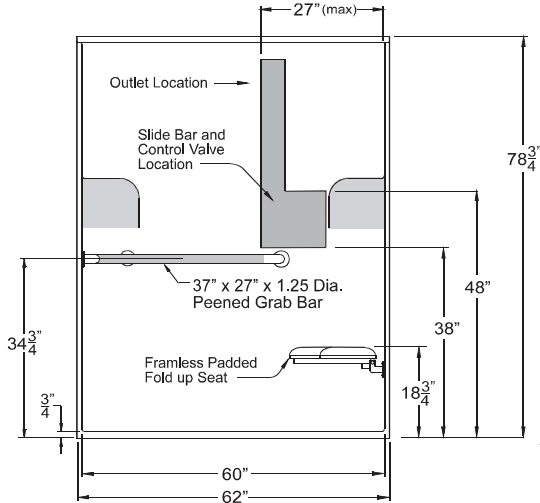
No modifications accepted (Packaged units only)



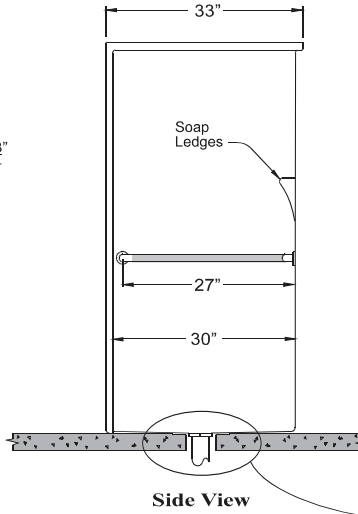
Top View



Threshold Detail



Front View

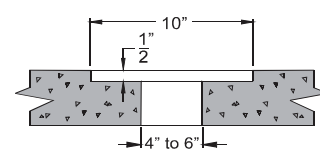


Side View

DETAIL OF DRAIN CORE AREA

4" To 6" Diameter Drain Core Through Slab.

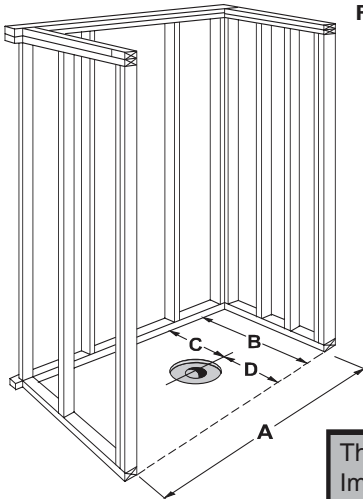
10" Diameter x 1/2" Deep Recess Around Core



NOTE: Due to the nature of the materials, dimension may vary $\pm 1/2"$.

MAS COMPLIANCE REQUIREMENTS

For MAS compliance with seat: Installed accessories must include: L-shaped padded fold up seat, horizontal L-grab bar, pressure balancing mixing valve, hand held shower with 30" slide bar (on back wall within reach of seated user), vacuum breaker and 60" hose. Unit and accessories must be installed per MAS and Praxis guidelines.



FRAMING DIMENSIONS

A	B	C	D
62 $\frac{1}{4}$ "	33"	17"	16"

10" Diameter x 1/2" Deep Recess Around Drain Core

Unit must be installed into a recessed pit -or- build up finished floor to comply with MAS threshold guidelines.

Confirm any requested loose accessories desired by circling the items on page one.

Submittal drawing required for Prepackaged model. **NO MODIFICATIONS ACCEPTED.**

All built to order model configurations and submittal drawings must be ordered.

UPC/SKU NUMBERS Left Hand Valve: _____ Right Hand Valve: _____

This model included in the **PRAXIS QUALITY INSTALLATION ASSURANCE PROGRAM.** Important installation procedures **MUST** be followed for the fixture to be granted a warranty.

STANDARD FEATURES

- High gloss gelcoat finish
- Low threshold entry
- Molded soap dishes
- Padded fold up seat
- Stainless steel grab bar

STANDARD CODES

- ANSI Z124.2
- ASTM F463
- ASTM E84
- SBCCI
- NAHB
- UPC

MASSACHUSETTS ARCHITECTURAL ACCESS BOARD

- MAS

(when fully equipped)
Unit configured with standard features, pressure balanced control valve and hand held shower package.

ATTENTION PLUMBING CONTRACTOR!!! THIS ORDER WILL NOT BE PROCESSED UNLESS THIS DOCUMENT IS SIGNED, DATED AND A CONTACT PHONE NUMBER OF THE PLUMBING CONTRACTOR IS PROVIDED. FOR ORDERS OF FOUR OR MORE UNITS, PARTICIPATION IN THE PRAXIS QUALITY INSTALLATION ASSURANCE PROGRAM IS MANDATORY FOR ACTIVATION OF PRODUCT WARRANTY.

Signed: Date: Contact Phone Number:

Praxis Quality Installation Assurance Program Information: Phone: (800)-759-7744 ext: 29.

Customer Service: (800)-443-7269 Fax: (731)-925-0379

Commercial Showers & Tub Showers

38" Gelcoat Shower



Hamilton
BATHWARE

ADA Transfer Showers ONE-PIECE GELCOAT

708- NO MODIFICATIONS TO PACKAGES. FOR BUILT TO ORDER UNIT, SELECT BASE UNIT AND ACCESSORIES.		
PKG ONE-ADA/ANSI: G 3838 IBS		List: \$2025
.5" NO RECESS BF THRESHOLD	MUDSET	
Handed by Valve Wall L/R	WHITE POLYESTER GELCOAT FINISH	
Factory Installed Accessories (VALVE/SHOWER KIT NOT INCLUDED IN PKG1)		
L-BAR	33.5" X 18" X 1.5" SMOOTH SS	
S-BAR	24" X 1.5" SMOOTH SS	
SEAT	32" X 21" FRAMELESS WHITE HDPE RAD FOLD UP	
FOR ADA/ANSI COMPLIANCE: 0.5" CURB ALLOWED, INSTALLED ACCESSORIES MUST INCLUDE: L-BAR AND VERTICAL GRAB BAR, L-SEAT, PRESSURE BALANCING MIXING VALVE, HAND HELD SHOWER WITH SLIDE BAR, VACUUM BREAKER AND 60" HOSE. UNIT AND ACCESSORIES INSTALLED PER ADA/ANSI & PRAXIS INSTALLATION & WARRANTY GUIDELINES.		
BUILD TO ORDER BASE PLUS ACCESSORIES		
BASE UNIT 1: G 3838 I		List: \$952
SPECIFY THRESHOLD HEIGHT	MUDSET	
Handed by Valve Wall L/R		
Reinforced for Standard Accessories		
BASE UNIT OPTIONAL ACCESSORIES		List:
FINISHES		
STANDARD FINISH- POLYESTER GELCOAT FINISH: WHITE, BONE, BISCUIT		\$0
GRAB BARS		
S-BAR	24" X 1.5" SMOOTH SS	\$128
S-BAR	24" X 1.25" SMOOTH WHITE	\$154
L-BAR	33.5" X 18" X 1.5" SMOOTH SS	\$198
L-BAR	33.5" X 18" X 1.25" SMOOTH WHITE CC	\$313
INSIDE CURTAIN LINE SEATS (REVISED ADA-ABA 2004)		
SEAT	32" X 21" FRAMELESS WHITE HDPE RAD FOLD UP	\$747
SEAT	32" X 21" FRAMELESS WHITE PADDED RAD FOLD UP	\$747
SEAT	32" X 21" FRAMELESS WOODGRAIN PHENOLIC RAD FOLD UP	\$747
FACTORY MODIFICATIONS		
MOD	VALVE DRILLING - SPECIFY HOLE SIZE	\$56
MOD	.5" NO RECESS BF THRESHOLD	\$111
MOD	2" BF THRESHOLD	\$0
MOD	INSTALL STANDARD SYMMONS VALVE PACKAGE	\$633
MOD	INSTALL HANS GROHE THERMOSTATIC VALVE PACKAGE (XLT)	\$501
MOD	INSTALL POWERS VALVE PACKAGE (XLT)	\$656
MOD	INSTALL 30" SLIDE BAR / HS KIT	\$411
MOD	ARMORSHIELD P3 PROTECTION	\$149
MOD	TUBGUARD P3 PROTECTION 36" ADA	\$86
CURTAIN RODS		
ROD	CURTAIN ROD U CUP HOLDER PAIR	\$14
ROD	1" OD 20 GAUGE SS	\$71
ROD	1" OD 20 GAUGE WHITE	\$138
FIELD INSTALLED ACCESSORIES		
LOOSE	CURTAIN PREMIUM 42" X 72" WHITE NYLON WTD	\$118
LOOSE	CURTAIN HEAVY DUTY 42" X 72" WHITE VINYL WTD	\$96
LOOSE	TUBGUARD P3 PRO FIELD INST 36" ADA	\$74
ADDITIONAL ACCESSORIES AND SERVICES MAY BE AVAILABLE UPON REQUEST		



G 3838 IBS

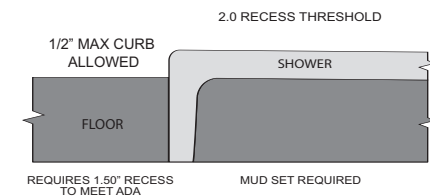
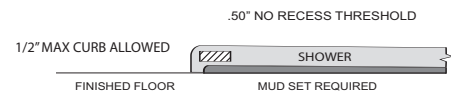
PHOTOGRAPH AT LEFT ILLUSTRATES PACKAGE ONE (HANDED BY VALVE WALL RIGHT)

Sanitary Grade Polyester Gelcoat Three Year Warranty

Primary Applications:

- Healthcare
- College Dormitory
- Hospitality
- Schools
- Public Buildings

ADA Transfer Shower Threshold Requirements:



708

rev. 09/25/07

G 3838 I

OD: 38" x 39" x 78.25"

ID: 36" x 36" CENTER POINT

WEIGHT: 160

LOAD FACTOR: 1.06

HANDED BY: VALVE WALL L/R

Special Notes: This unit complies with ANSI Z124.2, ICC/ANSI A117.1, UPC, HUD, ASTM F462, ASTM E84, ADA, ABA, SBCCI, NAHB, UFAS.

Warranty: Gelcoat models have a 3 year limited warranty. Acrylic models have a 5 year limited warranty. Pumps, parts, and accessories 1 year limited warranty. For further details please refer to the complete warranty section.

Due to the nature of the materials, dimensions may vary +/- 1/2".

DRAWING REQUEST MUST BE MADE FOR PACKAGE 2 DRAWING AND BUILT TO ORDER UNITS.

Hamilton Bathware/Praxis Companies, LLC.

435 Industrial Road, Savannah • Tennessee 38372 • Customer Service: 800.326.5489 • Fax: 888.246.0466 • www.hamiltonbathware.com



Product Availability
Hamilton Northeast
XL-EXTENDED LEADTIME

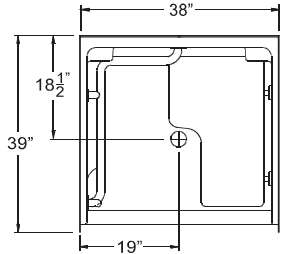
Product Availability
Hamilton Mid-America

Product Availability
Hamilton South

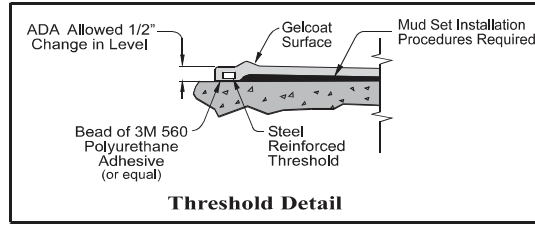
STD-STANDARD LEADTIME

PACKAGE ONE - ADA/ANSI G 3838 IBS

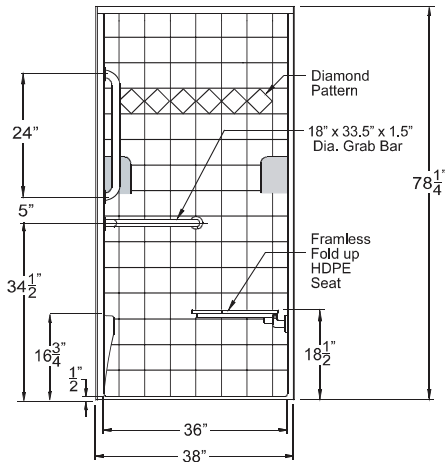
No modifications accepted (Packaged units only)



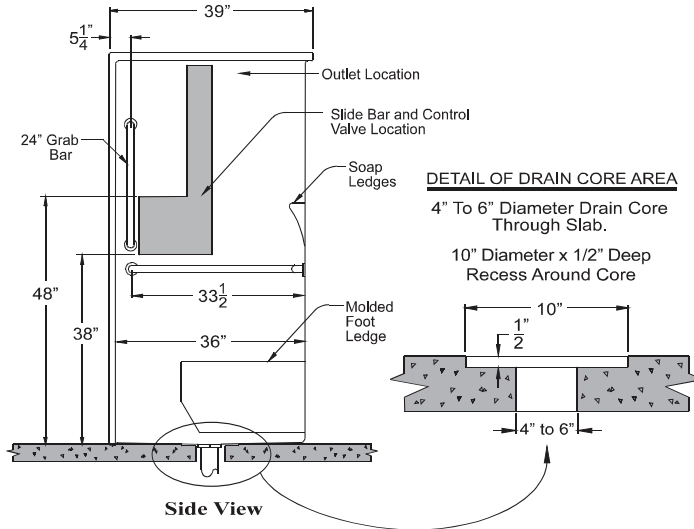
Top View



Threshold Detail



Front View

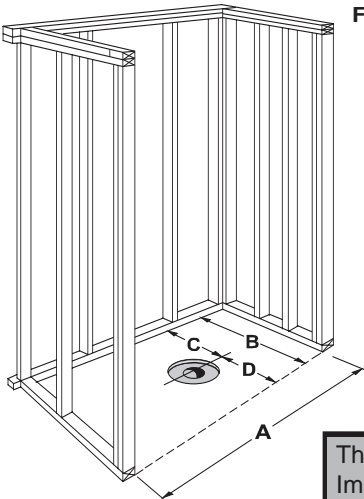


Side View

NOTE: Due to the nature of the materials, dimension may vary $\pm 1/2$ ".

ADA COMPLIANCE REQUIREMENTS

For ADA compliance, unit must be configured with L-shaped fold up seat, horizontal L-grab bar, vertical grab bar near the entry, pressure balancing mixing valve, hand held shower with slide bar, vacuum breaker and 60" hose. Unit must be installed so threshold is no more than 1/2" above the finished floor. Unit and accessories must be installed per ADA and Praxis guidelines.



FRAMING DIMENSIONS

A	B	C	D
38 1/4"	39"	18 1/2"	20 1/2"

10" Diameter x 1/2" Deep Recess Around Drain Core

STANDARD FEATURES

- High gloss gelcoat finish
- Low threshold entry
- Corner accessory shelves
- Simulated tile pattern
- HDPE fold up seat
- Stainless steel grab bars

STANDARD CODES

- ANSI Z124.2
- ASTM F463
- ASTM E84
- SBCCI
- NAHB
- UPC

ADA CODES

- ICC/ANSI A117.1
- HUD/ADA
- UFAS

(when fully equipped)
Unit configured with standard features, pressure balanced control valve and hand held shower package.

Confirm any requested loose accessories desired by circling the items on page one. Submittal drawing required for Prepackaged model. **NO MODIFICATIONS ACCEPTED.** All built to order model configurations and submittal drawings must be ordered.

UPC/SKU NUMBERS Left Hand Valve: _____ Right Hand Valve: _____

This model included in the **PRAXIS QUALITY INSTALLATION ASSURANCE PROGRAM.** Important installation procedures **MUST** be followed for the fixture to be granted a warranty.

ATTENTION PLUMBING CONTRACTOR!!! THIS ORDER WILL NOT BE PROCESSED UNLESS THIS DOCUMENT IS SIGNED, DATED AND A CONTACT PHONE NUMBER OF THE PLUMBING CONTRACTOR IS PROVIDED. FOR ORDERS OF FOUR OR MORE UNITS, PARTICIPATION IN THE PRAXIS QUALITY INSTALLATION ASSURANCE PROGRAM IS MANDATORY FOR ACTIVATION OF PRODUCT WARRANTY.

Signed: Date: Contact Phone Number:

Praxis Quality Installation Assurance Program Information: Phone: (800)-759-7744 ext: 29.

Customer Service: (800)-443-7269 Fax: (731)-925-0379

39" Gelcoat Shower



Hamilton
BATHWARE

ADA Transfer Showers ONE-PIECE GELCOAT

709A- NO MODIFICATIONS TO PACKAGES. FOR BUILT TO ORDER UNIT, SELECT BASE UNIT AND ACCESSORIES.

PKG ONE-ADA/ANSI: G 3698 IBS	List: \$1931
.5" NO RECESS BF THRESHOLD	MUDSET
Handed by Valve Wall L/R	WHITE POLYESTER GELCOAT FINISH
Factory Installed Accessories (VALVE/SHOWER KIT NOT INCLUDED IN PKG1)	
L-BAR	33.5" X 18" X 1.5" SMOOTH SS
S-BAR	24" X 1.5" SMOOTH SS
SEAT	32" X 21" FRAMELESS WHITE HDPE FOLD UP

FOR ADA COMPLIANCE, INSTALLED ACCESSORIES MUST INCLUDE L-BAR AND VERTICAL S-BAR, L-SEAT, PRESSURE BALANCING MIXING VALVE, HAND HELD SHOWER WITH SLIDE BAR, VACUUM BREAKER AND 60" HOSE. UNIT AND ACCESSORIES INSTALLED PER ADA/ANSI AND PRAXIS INSTALLATION & WARRANTY GUIDELINES.

BUILD TO ORDER BASE PLUS ACCESSORIES

BASE UNIT 1: G 3698 I	List: \$858
SPECIFY THRESHOLD HEIGHT	MUDSET
Handed by Valve Wall L/R	
Reinforced for Standard Accessories	

BASE UNIT OPTIONAL ACCESSORIES

FINISHES	List:
STANDARD FINISH- POLYESTER GELCOAT FINISH: WHITE, BONE, BISCUIT	\$0

GRAB BARS		
S-BAR	24" X 1.5" SMOOTH SS	\$128
S-BAR	24" X 1.25" SMOOTH WHITE	\$154
L-BAR	33.5" X 18" X 1.5" SMOOTH SS	\$198
L-BAR	33.5" X 18" X 1.25" SMOOTH WHITE CC -INSIDE	\$313

INSIDE CURTAIN LINE SEATS (REVISED ADA-ABA 2004)		
SEAT	32" X 21" FRAMELESS WHITE HDPE FOLD UP	\$747
SEAT	32" X 21" FRAMELESS WHITE PADDED FOLD UP	\$747
SEAT	32" X 21" FRAMELESS WOODGRAIN PHENOLIC FOLD UP	\$747

FACTORY MODIFICATIONS		
MOD	VALVE DRILLING - SPECIFY HOLE SIZE	\$56
MOD	.5" NO RECESS BF THRESHOLD	\$111
MOD	2" BF THRESHOLD	\$0
MOD	INSTALL STANDARD SYMMONS VALVE PACKAGE	\$633
MOD	INSTALL HANS GROHE THERMOSTATIC VALVE PACKAGE (XLT)	\$501
MOD	INSTALL POWERS VALVE PACKAGE (XLT)	\$656
MOD	INSTALL 30" SLIDE BAR / HS KIT	\$411
MOD	ARMORSHIELD P3 PROTECTION	\$149
MOD	TUBGUARD P3 PROTECTION 36" ADA	\$86

CURTAIN RODS		
ROD	CURTAIN ROD U CUP HOLDER PAIR	\$14
ROD	1" OD 20 GAUGE SS	\$71
ROD	1" OD 20 GAUGE WHITE	\$138

FIELD INSTALLED ACCESSORIES		
LOOSE	CURTAIN PREMIUM 42" X 72" WHITE NYLON WTD	\$118
LOOSE	CURTAIN HEAVY DUTY 42" X 72" WHITE VINYL WTD	\$96
LOOSE	TUBGUARD P3 PRO FIELD INST 36" ADA	\$74

ADDITIONAL ACCESSORIES AND SERVICES MAY BE AVAILABLE UPON REQUEST

Special Notes: This unit complies with ANSI Z124.2, ICC/ANSI A117.1, UPC, HUD, ASTM F462, ASTM E84, ADA, ABA, SBCCI, NAHB, UFAS. For TAS compliant unit, see Comfort Designs XST3938BF.5

Warranty: Gelcoat models have a 3 year limited warranty. Acrylic models have a 5 year limited warranty. Pumps, parts, and accessories 1 year limited warranty. For further details please refer to the complete warranty section.

Due to the nature of the materials, dimensions may vary +/- 1/2".

DRAWING REQUEST MUST BE MADE FOR PACKAGE 2 DRAWING AND BUILT TO ORDER UNITS.

Hamilton Bathware/Praxis Companies, LLC.

435 Industrial Road, Savannah • Tennessee 38372 • Customer Service: 800.326.5489 • Fax: 888.246.0466 • www.hamiltonbathware.com



G 3698 IBS

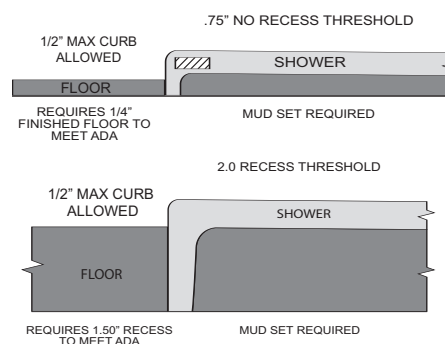
PHOTOGRAPH AT LEFT ILLUSTRATES PACKAGE ONE (HANDED BY VALVE WALL LEFT)

Sanitary Grade Polyester Gelcoat Three Year Warranty

Primary Applications:

- Healthcare
- College Dormitory
- Hospitality
- Schools
- Assisted Living

ADA Transfer Shower Threshold Requirements:



709A rev. 09/25/07

G 3698 I

OD: 39" x 39.5" x 77"

ID: 36" X 36" CENTER POINT

WEIGHT: 160

LOAD FACTOR: 1.06

HANDED BY: VALVE WALL L/R



Product Availability
Hamilton Northeast
STD-STANDARD LEADTIME

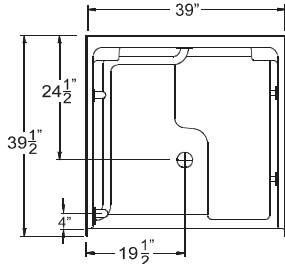
Product Availability
Hamilton Mid-America

Product Availability
Hamilton South

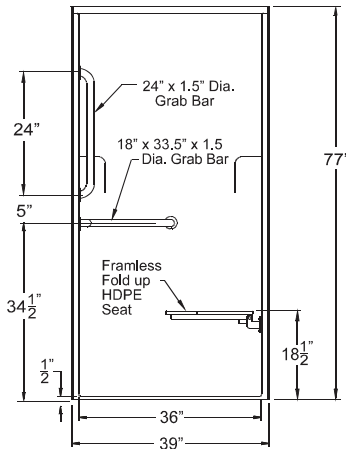
STD-STANDARD LEADTIME

PACKAGE ONE - ADA/ANSI G 3698 IBS

No modifications accepted (Packaged units only)

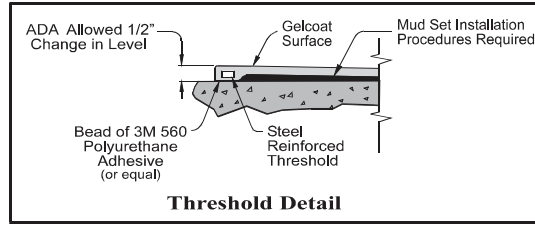


Top View

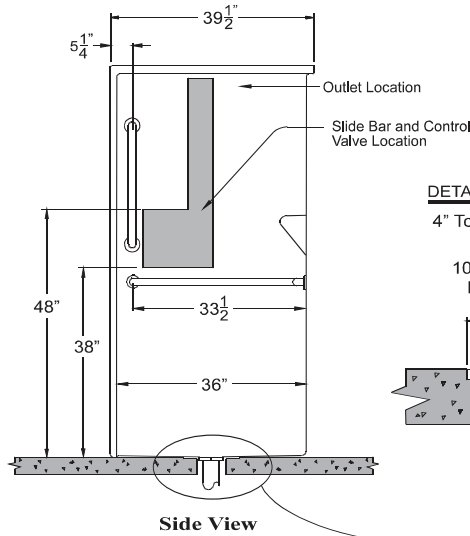


Front View

NOTE: Due to the nature of the materials, dimension may vary + - 1/2".



Threshold Detail

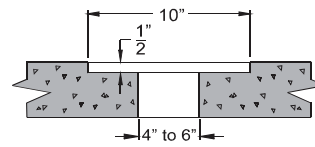


Side View

DETAIL OF DRAIN CORE AREA

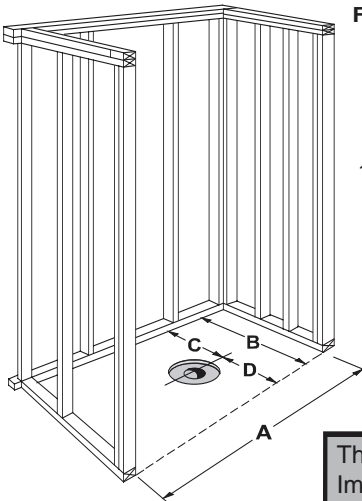
4" To 6" Diameter Drain Core Through Slab.

10" Diameter x 1/2" Deep Recess Around Core



ADA COMPLIANCE REQUIREMENTS

For ADA compliance, unit must be configured with L-shaped fold up seat, horizontal L-grab bar, vertical grab bar near the entry, pressure balancing mixing valve, hand held shower with slide bar, vacuum breaker and 60" hose. Unit must be installed so threshold is no more than 1/2" above the finished floor. Unit and accessories must be installed per ADA and Praxis guidelines.



FRAMING DIMENSIONS

A	B	C	D
39 1/4"	39 1/2"	24 1/2"	15"

10" Diameter x 1/2" Deep Recess Around Drain Core

STANDARD FEATURES

- High gloss gelcoat finish
- Low threshold entry
- Corner accessory shelves
- HDPE fold up seat
- Stainless steel grab bars

STANDARD CODES

- ANSI Z124.2
- ASTM F463
- ASTM E84
- SBCCI
- NAHB
- UPC

ADA CODES

- ICC/ANSI A117.1
- HUD/ADA
- UFAS

(when fully equipped)
Unit configured with standard features, pressure balanced control valve and hand held shower package.

Confirm any requested loose accessories desired by circling the items on page one. Submittal drawing required for Prepackaged model. **NO MODIFICATIONS ACCEPTED.** All built to order model configurations and submittal drawings must be ordered.

UPC/SKU NUMBERS Left Hand Valve: _____ Right Hand Valve: _____

This model included in the **PRAXIS QUALITY INSTALLATION ASSURANCE PROGRAM.** Important installation procedures **MUST** be followed for the fixture to be granted a warranty.

ATTENTION PLUMBING CONTRACTOR!!! THIS ORDER WILL NOT BE PROCESSED UNLESS THIS DOCUMENT IS SIGNED, DATED AND A CONTACT PHONE NUMBER OF THE PLUMBING CONTRACTOR IS PROVIDED. FOR ORDERS OF FOUR OR MORE UNITS, PARTICIPATION IN THE PRAXIS QUALITY INSTALLATION ASSURANCE PROGRAM IS MANDATORY FOR ACTIVATION OF PRODUCT WARRANTY.

Signed: Date: Contact Phone Number:

Praxis Quality Installation Assurance Program Information: Phone: (800)-759-7744 ext: 29.

Customer Service: (800)-443-7269 Fax: (731)-925-0379

Commercial Showers & Tub Showers

39" Gelcoat Shower



Hamilton
BATHWARE

MAS Transfer Showers ONE-PIECE GELCOAT

709B- NO MODIFICATIONS TO PACKAGES. FOR BUILT TO ORDER UNIT, SELECT BASE UNIT AND ACCESSORIES.

PKG ONE-MAS: G 3698 IBS MAS	List: \$1758
.5" NO RECESS BF THRESHOLD	MUDSET
Handed by Valve Wall L/R	WHITE POLYESTER GELCOAT FINISH
Factory Installed Accessories (VALVE/SHOWER KIT NOT INCLUDED IN PKG1)	
L-BAR	33.5" x 18" x 1.25" PEENED SS-INSIDE
SEAT	32" X 21" FRAMELESS WHITE PADDED FOLD UP
FOR MAS COMPLIANCE INSTALLED ACCESSORIES MUST INCLUDE PEENED OR TEXTURED L-BAR, PADDED L-SEAT, PRESSURE BALANCING MIXING VALVE, HAND HELD SHOWER WITH SLIDE BAR, VACUUM BREAKER AND 60" HOSE. UNIT AND ACCESSORIES INSTALLED PER MAS & PRAXIS INSTALLATION & WARRANTY GUIDELINES.	

BUILD TO ORDER BASE PLUS ACCESSORIES

BASE UNIT 1: G 3698 I MAS	List: \$843
SPECIFY THRESHOLD HEIGHT	MUDSET
Handed by Valve Wall L/R	
Reinforced for Standard Accessories	

BASE UNIT OPTIONAL ACCESSORIES

FINISHES

STANDARD FINISH- POLYESTER GELCOAT FINISH: WHITE, BONE, BISCUIT	\$0
---	-----

GRAB BARS

L-BAR	33.5" x 18" x 1.25" PEENED SS-INSIDE	\$168
L-BAR	33.5" x 18" x 1.25" TEXTURED WHITE CC -INSIDE	\$318

INSIDE CURTAIN LINE SEATS (REVISED ADA-ABA 2004)

SEAT	32" X 21" FRAMELESS WHITE PADDED FOLD UP	\$747
------	--	-------

FACTORY MODIFICATIONS

MOD	VALVE DRILLING -SPECIFY HOLE SIZE	\$56
MOD	.5" NO RECESS BF THRESHOLD	\$111
MOD	2" BF THRESHOLD	\$0
MOD	INSTALL STANDARD SYMMONS VALVE PACKAGE	\$633
MOD	INSTALL HANS GROHE THERMOSTATIC VALVE PACKAGE (XLT)	\$501
MOD	INSTALL POWERS VALVE PACKAGE (XLT)	\$656
MOD	INSTALL 30" SLIDE BAR / HS KIT	\$411
MOD	ARMORSHIELD P3 PROTECTION	\$149
MOD	TUBGUARD P3 PROTECTION 36" ADA	\$86

CURTAIN RODS

ROD	CURTAIN ROD U CUP HOLDER PAIR	\$14
ROD	1" OD 20 GAUGE SS	\$71
ROD	1" OD 20 GAUGE WHITE	\$138

FIELD INSTALLED ACCESSORIES

LOOSE	CURTAIN PREMIUM 42" X 72" WHITE NYLON WTD	\$118
LOOSE	CURTAIN HEAVY DUTY 42" X 72" WHITE VINYL WTD	\$96
LOOSE	TUBGUARD P3 PRO FIELD INST 36" ADA	\$74

ADDITIONAL ACCESSORIES AND SERVICES MAY BE AVAILABLE UPON REQUEST



G 3698 IBS MAS

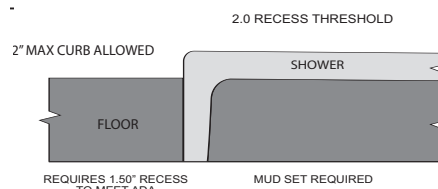
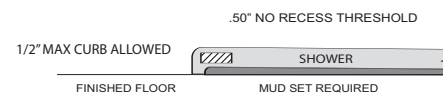
PHOTOGRAPH AT LEFT ILLUSTRATES PACKAGE ONE (HANDED BY VALVE WALL LEFT)

Sanitary Grade Polyester Gelcoat Three Year Warranty

Primary Applications:

- Healthcare
- College Dormitory
- Hospitality
- Schools

MAS Transfer Shower Threshold Requirements:



709B

rev. 09/25/07

G 3698 I MAS

OD: 39" x 39.5" x 77"

ID: 36" X 36" CENTER POINT

WEIGHT: 160

LOAD FACTOR: 1.06

HANDED BY: VALVE WALL L/R

Special Notes: This unit complies with MAS, ANSI Z124.2, NAHB, UPC, ASTM F462, ASTM E84.

Warranty: Gelcoat models have a 3 year limited warranty. Acrylic models have a 5 year limited warranty. Pumps, parts, and accessories 1 year limited warranty. For further details please refer to the complete warranty section.

Due to the nature of the materials, dimensions may vary +/- 1/2".

DRAWING REQUEST MUST BE MADE FOR PACKAGE 2 DRAWING AND BUILT TO ORDER UNITS.



Hamilton Bathware/Praxis Companies, LLC.

435 Industrial Road, Savannah • Tennessee 38372 • Customer Service: 800.326.5489 • Fax: 888.246.0466 • www.hamiltonbathware.com

Product Availability
Hamilton Northeast
STD-STANDARD LEADTIME

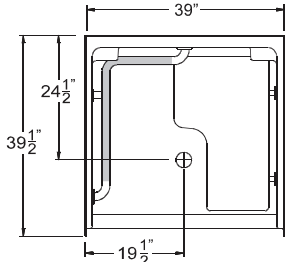
Product Availability
Hamilton Mid-America

Product Availability
Hamilton South

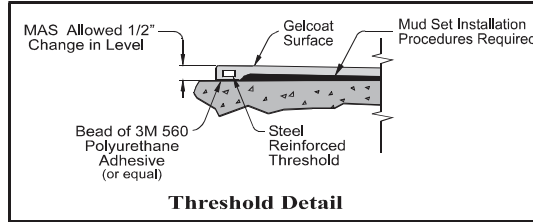
STD-STANDARD LEADTIME

PACKAGE ONE - MAS G 3698 IBS MAS

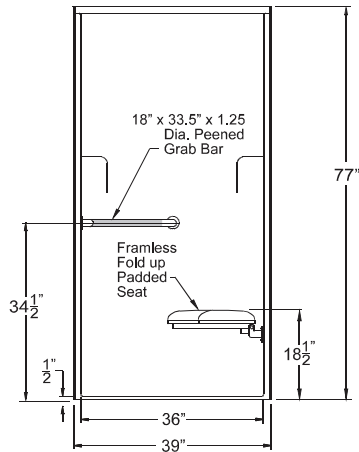
No modifications accepted (Packaged units only)



Top View

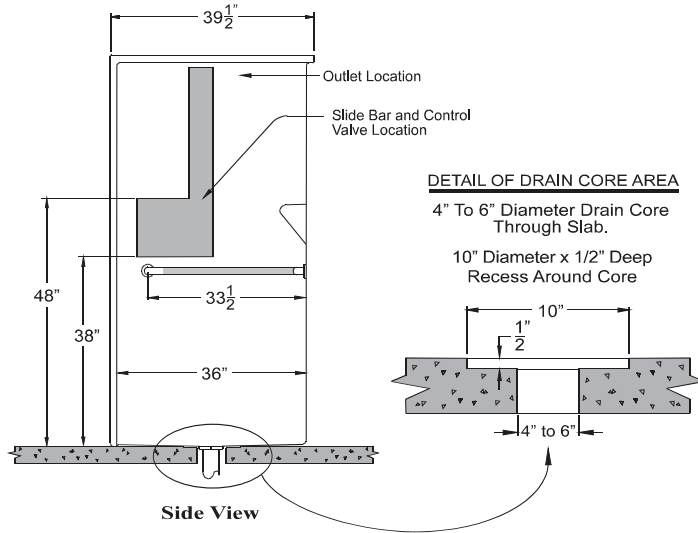


Threshold Detail



Front View

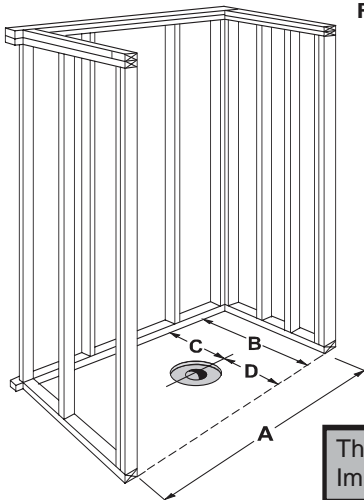
NOTE: Due to the nature of the materials, dimension may vary + - 1/2".



Side View

MAS COMPLIANCE REQUIREMENTS

For MAS compliance, installed accessories must include peened L-grab bar, padded fold up seat, pressure balancing mixing valve, hand-held shower with 30" slide bar, vacuum breaker and 60" hose. Unit must be installed so threshold is no more than 1/2" above the finished floor. Unit and accessories must be installed per MAS and Praxis Guidelines.



FRAMING DIMENSIONS

A	B	C	D
39 1/4"	39 1/2"	24 1/2"	15"

10" Diameter x 1/2" Deep Recess Around Drain Core

STANDARD FEATURES

- High gloss gelcoat finish
- Low threshold entry
- Corner accessory shelves
- Padded fold up seat
- Stainless steel grab bars

STANDARD CODES

- ANSI Z124.2
- ASTM F463
- ASTM E84
- SBCCI
- NAHB
- UPC

MASSACHUSETTS ARCHITECTURAL ACCESS BOARD

- MAS

(when fully equipped)
Unit configured with standard features, pressure balanced control valve and hand held shower package.

Confirm any requested loose accessories desired by circling the items on page one. Submittal drawing required for Prepackaged model. **NO MODIFICATIONS ACCEPTED.** All built to order model configurations and submittal drawings must be ordered.

UPC/SKU NUMBERS Left Hand Valve: _____ Right Hand Valve: _____

This model included in the **PRAXIS QUALITY INSTALLATION ASSURANCE PROGRAM.** Important installation procedures **MUST** be followed for the fixture to be granted a warranty.

ATTENTION PLUMBING CONTRACTOR!!! THIS ORDER WILL NOT BE PROCESSED UNLESS THIS DOCUMENT IS SIGNED, DATED AND A CONTACT PHONE NUMBER OF THE PLUMBING CONTRACTOR IS PROVIDED. FOR ORDERS OF FOUR OR MORE UNITS, PARTICIPATION IN THE PRAXIS QUALITY INSTALLATION ASSURANCE PROGRAM IS MANDATORY FOR ACTIVATION OF PRODUCT WARRANTY.

Signed: Date: Contact Phone Number:

Praxis Quality Installation Assurance Program Information: Phone: (800)-759-7744 ext: 29.

Customer Service: (800)-443-7269 Fax: (731)-925-0379

Commercial Showers & Tub Showers

60" Gelcoat Remodel Tub Shower



Hamilton
BATHWARE

ADA Tub Showers SECTIONAL GELCOAT

710A- NO MODIFICATIONS TO PACKAGES. FOR BUILT TO ORDER UNIT, SELECT BASE UNIT AND ACCESSORIES.	
PKG ONE-ADA/ANSI/TAS: G 6017 TS FB IBS 2P	List: \$2112
17.25" Apron	SHIM
Handed by Valve Wall L/R	WHITE POLYESTER GELCOAT FINISH
Factory Installed Accessories (VALVE/SHOWER KIT NOT INCLUDED IN PKG1)	
S-BAR	24" X 1.5" SMOOTH SS
S-BAR	24" X 1.5" SMOOTH SS
S-BAR	24" X 1.5" SMOOTH SS
S-BAR	24" X 1.5" SMOOTH SS
S-BAR	24" X 1.5" SMOOTH SS
SEAT	23.5" X 14.5" WOODGRAIN PHENOLIC FOLD UP
LOOSE	SELF-LOCKING PUSH PINS

FOR ADA/ANSI/TAS COMPLIANCE: SEAT AT HEAD END OF TUB SHALL BE PROVIDED AND SECURELY MOUNTED, INSTALLED ACCESSORIES MUST INCLUDE: 24" VERTICAL GRAB BAR ON VALVE WALL, 24" GRAB BAR ON VALVE WALL, TWO 24" GRAB BARS ON BACK WALL, 12" MIN. GRAB BAR ON HEAD WALL, PRESSURE BALANCING MIXING VALVE, HAND HELD SHOWER WITH SLIDE BAR, VACUUM BREAKER AND 60" HOSE. THE UNIT AND ACCESSORIES MUST BE INSTALLED PER ADA/ANSI/TAS & PRAXIS INSTALLATION & WARRANTY GUIDELINES.

BUILD TO ORDER BASE PLUS ACCESSORIES	
BASE UNIT 1: G 6017 TS FB I 2P	List: \$975
17.25" Apron	SHIM
Handed by Valve Wall L/R	
Reinforced for Standard Accessories	
LOOSE	SELF-LOCKING PUSH PINS

BASE UNIT OPTIONAL ACCESSORIES		List:
FINISHES		
STANDARD FINISH- POLYESTER GELCOAT FINISH: WHITE, BONE, BISCUIT		\$0
GRAB BARS		
S-BAR	24" X 1.5" SMOOTH SS	\$128
S-BAR	24" X 1.25" SMOOTH WHITE	\$154
STANDARD SEATS (ATTACHED)		
SEAT	23.5" X 14.5" WOODGRAIN PHENOLIC FOLD UP	\$520
FACTORY MODIFICATIONS		
MOD	VALVE DRILLING - SPECIFY HOLE SIZE	\$56
MOD	INSTALL STANDARD SYMMONS VALVE PACKAGE	\$633
MOD	INSTALL HANS GROHE THERMOSTATIC VALVE PACKAGE (XLT)	\$501
MOD	INSTALL POWERS VALVE PACKAGE (XLT)	\$656
MOD	INSTALL 30" SLIDE BAR / HS KIT	\$411
MOD	INSTALL SS SOAP DISH RECESSED	\$120
MOD	2" STANDARD ROUGH (16.25" APRON)	\$56
CURTAIN RODS		
ROD	CURTAIN ROD U CUP HOLDER PAIR	\$14
ROD	1" OD 20 GAUGE SS	\$71
ROD	1" OD 20 GAUGE WHITE	\$138
ROD	5' x 1" OD 20 GAUGE CHROME CURVED WITH BRACKETS	\$148
FIELD INSTALLED ACCESSORIES		
LOOSE	CURTAIN HEAVY DUTY 66" X 72" WHITE VINYL	\$119

ADDITIONAL ACCESSORIES AND SERVICES MAY BE AVAILABLE UPON REQUEST



G 6017 TS FB IBS 2P

PHOTOGRAPH AT LEFT ILLUSTRATES PACKAGE ONE (HANDED BY VALVE WALL RIGHT)

Sanitary Grade Polyester Gelcoat
Three Year Warranty

WELL INFORMATION

WELL DEPTH: 10.25"
WELL L TO R: 50"
WELL FRONT TO BACK: 20"
GALLONS TO OVERFLOW: 35
SLOPE OF DRAIN: .25" per ft.

710A

rev. 09/25/07

G 6017 TS FB I 2P

OD: 60" x 32.5" x 80.5"
3" ABOVE FLOOR ROUGH
WEIGHT: 200
LOAD FACTOR: 1.26
HANDED BY: VALVE WALL L/R

Special Notes: This unit complies with ANSI Z124.1, ICC/ANSI A117.1, UPC, HUD, ASTM F462, ASTM E84, ADA, ABA, SBCCI, NAHB.

Warranty: Gelcoat models have a 3 year limited warranty. Acrylic models have a 5 year limited warranty. Pumps, parts, and accessories 1 year limited warranty. For further details please refer to the complete warranty section.

Due to the nature of the materials, dimensions may vary +/- 1/2".

DRAWING REQUEST MUST BE MADE FOR PACKAGE 2 DRAWING AND BUILT TO ORDER UNITS.

Hamilton Bathware/Praxis Companies, LLC.

435 Industrial Road, Savannah • Tennessee 38372 • Customer Service: 800.326.5489 • Fax: 888.246.0466 • www.hamiltonbathware.com



Product Availability
Hamilton Northeast
XL-EXTENDED LEADTIME

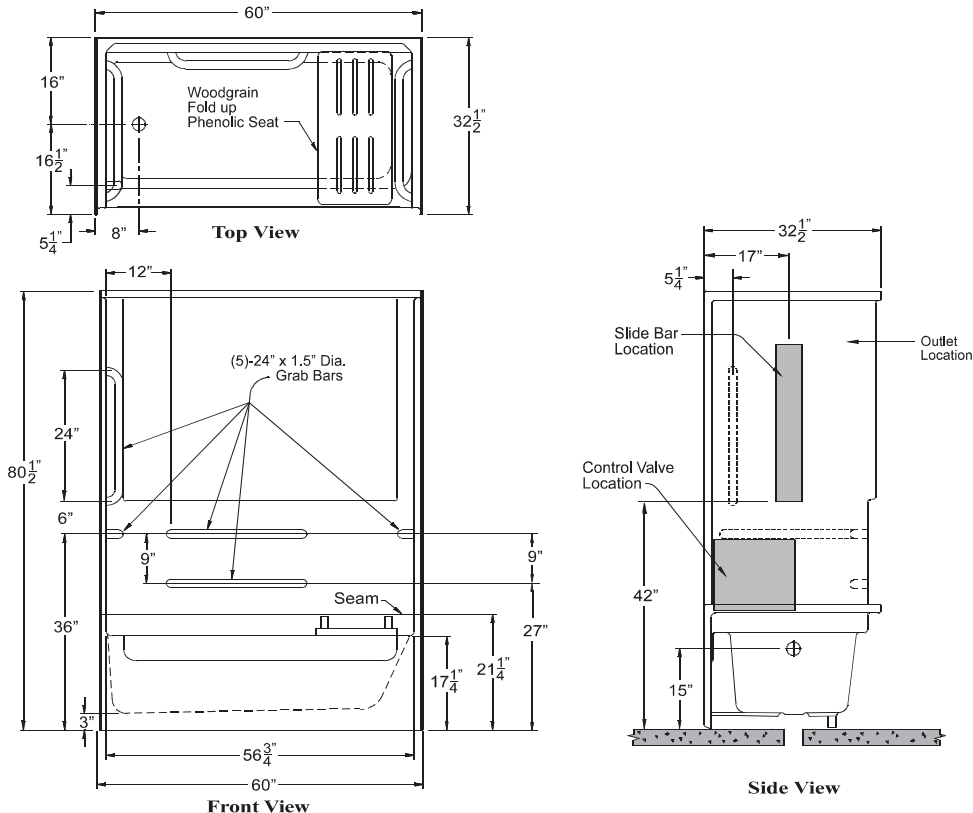
Product Availability
Hamilton Mid-America

Product Availability
Hamilton South

STD-STANDARD LEADTIME

PACKAGE ONE - ADA/ANSI/TAS G 6017 TS FB IBS 2P

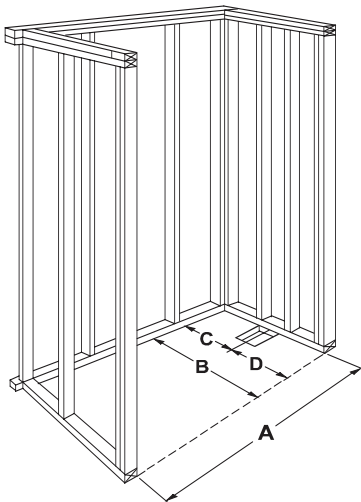
No modifications accepted (Packaged units only)



NOTE: Due to the nature of the materials, dimension may vary +/- 1/2".

ADA/TAS COMPLIANCE REQUIREMENTS

For ADA/TAS compliance: seat securely mounted at head end, one horizontal grab bar mounted on the valve wall, two horizontal grab bars mounted on the back wall, one horizontal grab bar mounted on the head wall and one vertical grab bar mounted on the valve wall near the entry. Pressure balancing mixing valve, hand held shower with slide bar, vacuum breaker and 60" hose. Unit and accessories must be installed per ADA/TAS and Praxis guidelines.



FRAMING DIMENSIONS

A	B	C	D
60 1/4"	32 1/2"	16"	16 1/2"

6" x 6" minimum opening in floor for drain connection

STANDARD FEATURES

- High gloss gelcoat finish
- Two piece design
- Phenolic fold up seat
- Stainless steel grab bars

STANDARD CODES

- ANSI Z124.1
- ASTM F463
- ASTM E84
- SBCCI
- NAHB
- UPC

ADA CODES

- ICC/ANSI A117.1
- HUD/ADA
- UFAS
- TAS

(when fully equipped)
 Unit configured with standard features, pressure balanced control valve and hand held shower package.

Confirm any requested loose accessories desired by circling the items on page one. Submittal drawing required for Prepackaged model. **NO MODIFICATIONS ACCEPTED.** All built to order model configurations and submittal drawings must be ordered.

UPC/SKU NUMBERS Left Hand Valve: _____ Right Hand Valve: _____

ATTENTION PLUMBING CONTRACTOR!!! THIS ORDER WILL NOT BE PROCESSED UNLESS THIS DOCUMENT IS SIGNED, DATED AND A CONTACT PHONE NUMBER OF THE PLUMBING CONTRACTOR IS PROVIDED.

Signed: Date: Contact Phone Number:

Customer Service: (800)-443-7269 Fax: (731)-925-0379

Commercial Showers & Tub Showers

60" Gelcoat Remodel Tub Shower



Hamilton
BATHWARE

MAS Tub Showers SECTIONAL GELCOAT

710B- NO MODIFICATIONS TO PACKAGES. FOR BUILT TO ORDER UNIT, SELECT BASE UNIT AND ACCESSORIES.		
PKG ONE-MAS: G 6017 TS FB IBS 2P MAS		List: \$1665
17.25" Apron		SHIM
Handed by Valve Wall L/R		WHITE POLYESTER GELCOAT FINISH
Factory Installed Accessories (VALVE/SHOWER KIT NOT INCLUDED IN PKG1)		
S-BAR	48" X 1.25" PEENED SS	
S-BAR	48" X 1.25" PEENED SS	
SEAT	26" X 15" WHITE TRI FOLD REMOVABLE	
LOOSE	SELF-LOCKING PUSH PINS	
FOR MAS COMPLIANCE: TRI FOLD REMOVABLE SEAT AT HEAD END OF TUB SHALL BE PROVIDED AND SECURELY MOUNTED, INSTALLED ACCESSORIES MUST INCLUDE: TWO 48" PEENED OR TEXTURED GRAB BARS ON BACK WALL, PRESSURE BALANCING MIXING VALVE, HAND HELD SHOWER WITH SLIDE BAR, VACUUM BREAKER AND 60" HOSE. UNIT AND ACCESSORIES INSTALLED PER MAS & PRAXIS INSTALLATION & WARRANTY GUIDELINES.		
BUILD TO ORDER BASE PLUS ACCESSORIES		
BASE UNIT 1: G 6017 TS FB I 2P MAS		List: \$952
17.25" Apron		SHIM
Handed by Valve Wall L/R		
Reinforced for Standard Accessories		
LOOSE	SELF-LOCKING PUSH PINS	
BASE UNIT OPTIONAL ACCESSORIES		List:
FINISHES		
STANDARD FINISH- POLYESTER GELCOAT FINISH: WHITE, BONE, BISCUIT		\$0
GRAB BARS		
S-BAR	48" X 1.25" PEENED SS	\$139
S-BAR	48" X 1.25" TEXTURED WHITE	\$329
STANDARD SEATS (REMOVABLE)		
SEAT	26" X 15" WHITE TRI FOLD REMOVABLE	\$434
FACTORY MODIFICATIONS		
MOD	VALVE DRILLING - SPECIFY HOLE SIZE	\$56
MOD	INSTALL STANDARD SYMMONS VALVE PACKAGE	\$633
MOD	INSTALL HANS GROHE THERMOSTATIC VALVE PACKAGE (XLT)	\$501
MOD	INSTALL POWERS VALVE PACKAGE (XLT)	\$656
MOD	INSTALL 30" SLIDE BAR / HS KIT	\$411
MOD	2" STANDARD ROUGH (16.25" APRON)	\$56
CURTAIN RODS		
ROD	CURTAIN ROD U CUP HOLDER PAIR	\$14
ROD	1" OD 20 GAUGE SS GROMMET STYLE	\$71
ROD	1" OD 20 GAUGE WHITE GROMMET STYLE	\$138
ROD	5' x 1" OD 20 GAUGE CHROME CURVED WITH BRACKETS	\$148
FIELD INSTALLED ACCESSORIES		
LOOSE	CURTAIN HEAVY DUTY 66" X 72" WHITE VINYL	\$119
ADDITIONAL ACCESSORIES AND SERVICES MAY BE AVAILABLE UPON REQUEST		



G 6017 TS FB IBS 2P MAS

PHOTOGRAPH AT LEFT ILLUSTRATES PACKAGE ONE (HANDED BY VALVE WALL RIGHT)

Sanitary Grade Polyester Gelcoat
Three Year Warranty

WELL INFORMATION

WELL DEPTH: 10.25"
WELL L TO R: 50"
WELL FRONT TO BACK: 20"
GALLONS TO OVERFLOW: 35
SLOPE OF DRAIN: .25" per ft.

710B

rev. 09/25/07

G 6017 TS FB I 2P MAS

OD: 60" x 32.5" x 80.5"
3" ABOVE FLOOR ROUGH
WEIGHT: 200
LOAD FACTOR: 1.26
HANDED BY: VALVE WALL L/R

Special Notes: This unit complies with ANSI Z124.1, UPC, HUD, ASTM F462, ASTM E84, MAS, ABA, SBCCI, NAHB.

Warranty: Gelcoat models have a 3 year limited warranty. Acrylic models have a 5 year limited warranty. Pumps, parts, and accessories 1 year limited warranty. For further details please refer to the complete warranty section.

Due to the nature of the materials, dimensions may vary +/- 1/2".

DRAWING REQUEST MUST BE MADE FOR PACKAGE 2 DRAWING AND BUILT TO ORDER UNITS.



Hamilton Bathware/Praxis Companies, LLC.

435 Industrial Road, Savannah • Tennessee 38372 • Customer Service: 800.326.5489 • Fax: 888.246.0466 • www.hamiltonbathware.com

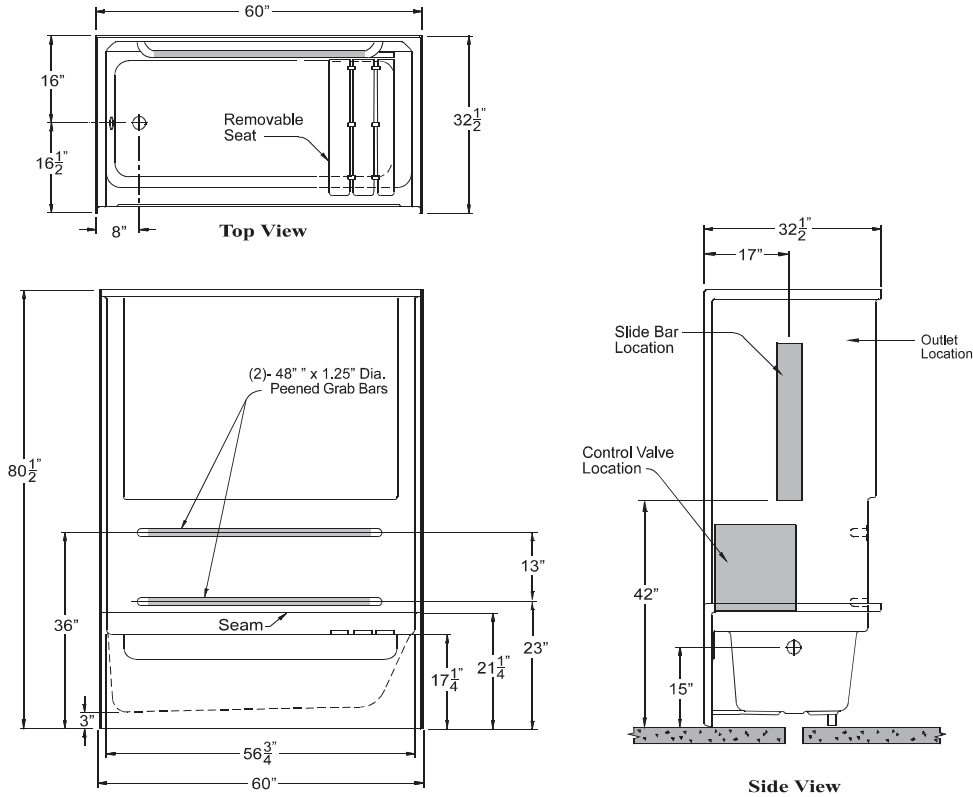
Product Availability
Hamilton Northeast
XL-EXTENDED LEADTIME

Product Availability
Hamilton Mid-America
STD-STANDARD LEADTIME

Product Availability
Hamilton South
STD-STANDARD LEADTIME

PACKAGE ONE - MAS G 6017 TS FB IBS 2P MAS

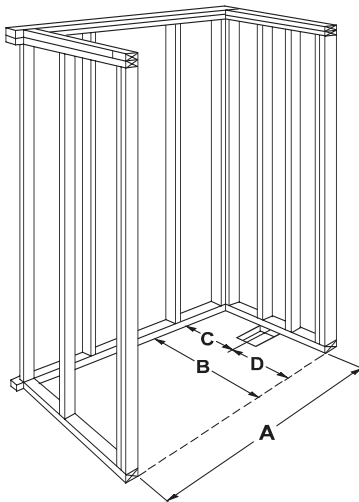
No modifications accepted (Packaged units only)



NOTE: Due to the nature of the materials, dimension may vary +/- 1/2".

MAS COMPLIANCE REQUIREMENTS

For MAS compliance: removable seat securely mounted at head end, two horizontal grab bars mounted on the back wall. Pressure balancing mixing valve, hand held shower with slide bar, vacuum breaker and 60" hose. Unit and accessories installed per MAS and Praxis guidelines.



FRAMING DIMENSIONS

A	B	C	D
60 1/4"	32 1/2"	16"	16 1/2"

6" x 6" minimum opening in floor for drain connection

STANDARD FEATURES

- High gloss gelcoat finish
- Two piece design
- Removable seat
- Stainless steel grab bars

STANDARD CODES

- ANSI Z124.1
- ASTM F463
- ASTM E84
- SBCCI
- NAHB
- UPC

MASSACHUSETTS ARCHITECTURAL ACCESS BOARD

MAS
(when fully equipped)
Unit configured with standard features, pressure balanced control valve and hand held shower package.

Confirm any requested loose accessories desired by circling the items on page one. Submittal drawing required for Prepackaged model. **NO MODIFICATIONS ACCEPTED.** All built to order model configurations and submittal drawings must be ordered.

UPC/SKU NUMBERS Left Hand Valve: _____ Right Hand Valve: _____

ATTENTION PLUMBING CONTRACTOR!!! THIS ORDER WILL NOT BE PROCESSED UNLESS THIS DOCUMENT IS SIGNED, DATED AND A CONTACT PHONE NUMBER OF THE PLUMBING CONTRACTOR IS PROVIDED.

Signed: Date: Contact Phone Number:

Customer Service: (800)-443-7269 Fax: (731)-925-0379

64" Gelcoat Remodel Shower



Hamilton
BATHWARE

ADA Roll-In Showers SECTIONAL GELCOAT

711A- NO MODIFICATIONS TO PACKAGES. FOR BUILT TO ORDER UNIT, SELECT BASE UNIT AND ACCESSORIES.			
PKG ONE-ADA/ANSI: G 6037 IBS 3P		List: \$2408	
1.25" NO RECESS BF THRESHOLD	MUDSET		
Handed by SEAT L/R		WHITE POLYESTER GELCOAT FINISH	
Factory Installed Accessories (VALVE/SHOWER KIT NOT INCLUDED IN PKG1)			
S-BAR 24" X 1.5" SMOOTH SS	S-BAR 36" X 1.5" SMOOTH SS		
SEAT 28.5" X 21" FRAMELESS WHITE HDPE	LOOSE SELF-LOCKING PUSH PINS		
FOR ADA/ANSI COMPLIANCE WITH SEAT: INSTALLED ACCESSORIES MUST INCLUDE: (2) S-BARS, PRESSURE BALANCING MIXING VALVE, HAND HELD SHOWER WITH SLIDE BAR (BACK WALL, WITH IN REACH OF SEATED USER), VACUUM BREAKER AND 60" HOSE. UNIT AND ACCESSORIES INSTALLED PER ADA/ANSI & PRAXIS INSTALLATION & WARRANTY GUIDELINES.			
PKG TWO-ADA/ANSI: G 6037 IB 3P		List: \$1764	
1.25" NO RECESS BF THRESHOLD	MUDSET		
Handed by CENTER DRAIN		WHITE POLYESTER GELCOAT FINISH	
Factory Installed Accessories (VALVE/SHOWER KIT NOT INCLUDED IN PKG2)			
S-BAR 24" X 1.5" SMOOTH SS	S-BAR 24" X 1.5" SMOOTH SS		
S-BAR 48" X 1.5" SMOOTH SS	LOOSE SELF-LOCKING PUSH PINS		
FOR ADA/ANSI COMPLIANCE LESS SEAT: INSTALLED ACCESSORIES MUST INCLUDE: (3) S-BARS, PRESSURE BALANCING MIXING VALVE, HAND HELD SHOWER WITH SLIDE BAR (ON ANY WALL), VACUUM BREAKER AND 60" HOSE. UNIT AND ACCESSORIES INSTALLED PER ADA/ANSI & PRAXIS INSTALLATION & WARRANTY GUIDELINES.			
BUILD TO ORDER BASE PLUS ACCESSORIES			
BASE UNIT 1: G 6037 I 3P		List: \$1430	
SPECIFY THRESHOLD HEIGHT	MUDSET	Handed by CENTER DRAIN OR SEAT SIDE	
Reinforced for Standard Accessories:		LOOSE SELF-LOCKING PUSH PINS	
BASE UNIT OPTIONAL ACCESSORIES		List:	
FINISHES			
STANDARD FINISH- POLYESTER GELCOAT FINISH: WHITE, BONE, BISCUIT			\$0
GRAB BARS			
S-BAR 24" x 1.5" SMOOTH SS			\$117
S-BAR 24" x 1.25" SMOOTH WHITE			\$154
S-BAR 36" x 1.5" SMOOTH SS			\$127
S-BAR 36" x 1.25" SMOOTH WHITE			\$165
S-BAR 48" x 1.5" SMOOTH SS			\$135
S-BAR 48" x 1.25" SMOOTH WHITE			\$238
INSIDE CURTAIN LINE SEATS (REVISED ADA-ABA 2004)			
SEAT 28.5" X 21" FRAMELESS WHITE HDPE			\$723
SEAT 28.5" X 21" FRAMELESS WHITE PADDED			\$723
SEAT 28.5" X 21" FRAMELESS WOODGRAIN PHENOLIC			\$723
FACTORY MODIFICATIONS			
MOD VALVE DRILLING - SPECIFY HOLE SIZE			\$56
MOD 1.25" NO RECESS BF THRESHOLD			\$111
MOD 2" THRESHOLD			\$0
MOD INSTALL 30" SLIDE BAR / HS KIT			\$411
MOD INSTALL STANDARD SYMMONS VALVE PACKAGE			\$633
MOD INSTALL HANS GROHE THERMOSTATIC VALVE PACKAGE (XLT)			\$501
MOD INSTALL POWERS VALVE PACKAGE (XLT)			\$656
CURTAIN RODS			
ROD CURTAIN ROD U CUP HOLDER PAIR			\$14
ROD 1" OD 20 GAUGE SS			\$71
ROD 1" OD 20 GAUGE WHITE			\$138
FIELD INSTALLED ACCESSORIES			
LOOSE CURTAIN PREMIUM 66" X 72" WHITE NYLON WTD			\$180
LOOSE CURTAIN HEAVY DUTY 66" X 72" WHITE VINYL WTD			\$119
LOOSE TUBGUARD P3 PRO FIELD INST 60" X 30" ADA			\$74
ADDITIONAL ACCESSORIES AND SERVICES MAY BE AVAILABLE UPON REQUEST			



G 6037 IBS 3P

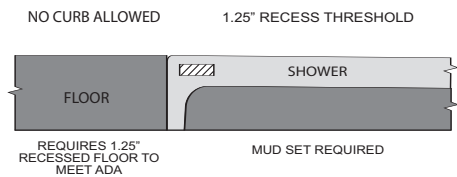
PHOTOGRAPH AT LEFT ILLUSTRATES PACKAGE ONE (HANDED BY SEAT LEFT)

Sanitary Grade Polyester Gelcoat Three Year Warranty

Primary Applications:

- Healthcare
- College Dormitory
- Hospitality
- Schools
- Assisted Living

ADA Transfer Shower Threshold Requirements:



711A rev. 09/25/07

G 6037 I 3P

OD: 64" x 35" x 75.25"

ID: 60" x 32" CENTER POINT

WEIGHT: 230

LOAD FACTOR: 1.88

HANDED BY: CENTER DRAIN OR SEAT L/R

Special Notes: This unit complies with ANSI Z124.2, ICC/ANSI A117.1, UPC, HUD, ASTM F462, ASTM E84, ADA, ABA, SBCCI, NAHB, UFAS.



Warranty: Gelcoat models have a 3 year limited warranty. Acrylic models have a 5 year limited warranty. Pumps, parts, and accessories 1 year limited warranty. For further details please refer to the complete warranty section. Due to the nature of the materials, dimensions may vary +/- 1/2". DRAWING REQUEST MUST BE MADE FOR PACKAGE 2 DRAWING AND BUILT TO ORDER UNITS.

Hamilton Bathware/Praxis Companies, LLC.

435 Industrial Road, Savannah • Tennessee 38372 • Customer Service: 800.326.5489 • Fax: 888.246.0466 • www.hamiltonbathware.com

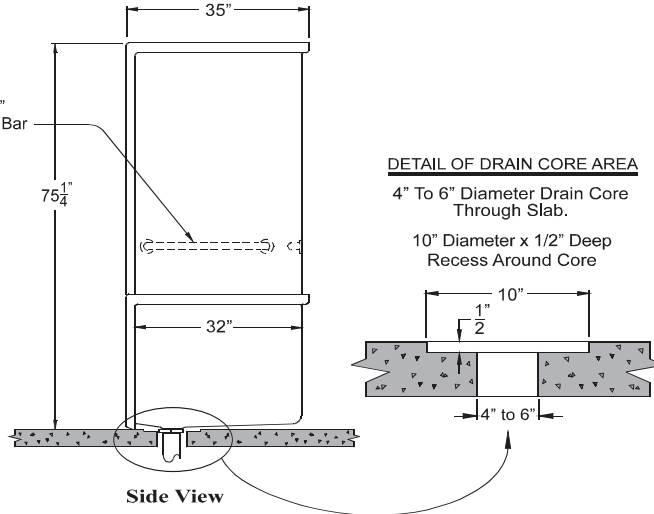
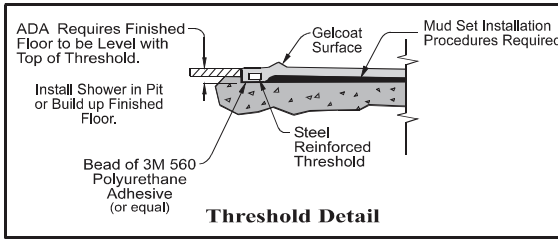
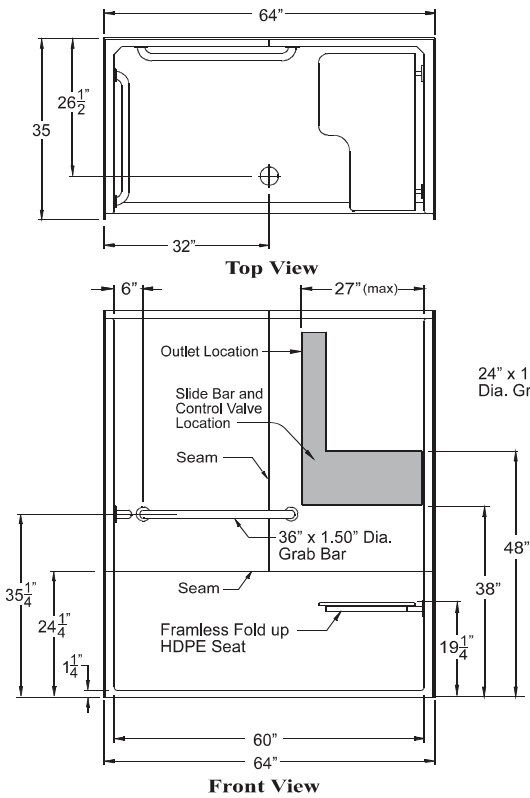
Product Availability
Hamilton Northeast
XL-EXTENDED LEADTIME

Product Availability
Hamilton Mid-America
STD-STANDARD LEADTIME

Product Availability
Hamilton South
STD-STANDARD LEADTIME

PACKAGE ONE - ADA/ANSI G 6037 IBS 3P

No modifications accepted (Packaged units only)

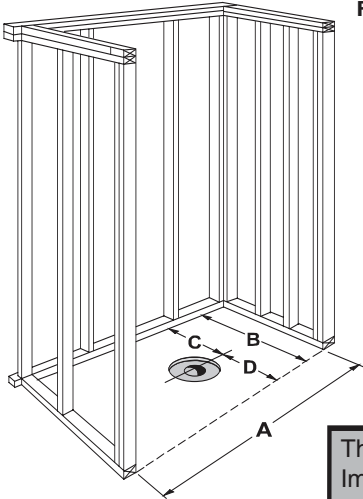


NOTE: Due to the nature of the materials, dimension may vary $\pm 1/2$ ".

NOTE: Back wall grab bar must be un-bolted during shower installation.

ADA COMPLIANCE REQUIREMENTS

For ADA compliance with seat: Installed accessories must include: L-shaped fold up seat, 2 horizontal grab bars, pressure balancing mixing valve, hand held shower with slide bar (on back wall within reach of seated user), vacuum breaker and 60" hose. Unit and accessories must be installed per ADA and Praxis guidelines.



FRAMING DIMENSIONS

A	B	C	D
64 ¹ / ₄ "	35"	26 ¹ / ₂ "	8 ¹ / ₂ "

10" Diameter x 1/2" Deep Recess Around Drain Core
Unit must be installed into a recessed pit -or- build up finished floor to comply with ADA threshold guidelines.

STANDARD FEATURES

- High gloss gelcoat finish
- Low threshold entry
- Three piece design
- HDPE fold up seat
- Stainless steel grab bars

STANDARD CODES

- ANSI Z124.2
- ASTM F463
- ASTM E84
- SBCCI
- NAHB
- UPC

ADA CODES

- ICC/ANSI A117.1
 - HUD/ADA
 - UFAS
- (when fully equipped)
Unit configured with standard features, pressure balanced control valve and hand held shower package.

Confirm any requested loose accessories desired by circling the items on page one. Submittal drawing required for Prepackaged model. **NO MODIFICATIONS ACCEPTED.** All built to order model configurations and submittal drawings must be ordered.

UPC/SKU NUMBERS Left Hand Valve: _____ Right Hand Valve: _____

This model included in the **PRAXIS QUALITY INSTALLATION ASSURANCE PROGRAM.** Important installation procedures **MUST** be followed for the fixture to be granted a warranty.

ATTENTION PLUMBING CONTRACTOR!!! THIS ORDER WILL NOT BE PROCESSED UNLESS THIS DOCUMENT IS SIGNED, DATED AND A CONTACT PHONE NUMBER OF THE PLUMBING CONTRACTOR IS PROVIDED. FOR ORDERS OF FOUR OR MORE UNITS, PARTICIPATION IN THE PRAXIS QUALITY INSTALLATION ASSURANCE PROGRAM IS MANDATORY FOR ACTIVATION OF PRODUCT WARRANTY.

Signed: Date: Contact Phone Number:

Praxis Quality Installation Assurance Program Information: Phone: (800)-759-7744 ext: 29.
Customer Service: (800)-443-7269 Fax: (731)-925-0379

Commercial Showers & Tub Showers

64" Gelcoat Remodel Shower



Hamilton
BATHWARE

MAS Roll-In Showers SECTIONAL GELCOAT

711B- NO MODIFICATIONS TO PACKAGES. FOR BUILT TO ORDER UNIT, SELECT BASE UNIT AND ACCESSORIES.

PKG ONE-MAS: G 6037 IBS 3P MAS		List: \$2429
1.25" NO RECESS BF THRESHOLD	MUDSET	
Handed by SEAT L/R	WHITE POLYESTER GELCOAT FINISH	
Factory Installed Accessories (VALVE/SHOWER KIT NOT INCLUDED IN PKG1)		
S-BAR 24" X 1.25" PEENED SS		
S-BAR 36" X 1.25" PEENED SS		
SEAT 28.5" X 21" FRAMELESS WHITE PADDED		
LOOSE SELF-LOCKING PUSH PINS		

FOR MAS COMPLIANCE WITH SEAT: NO CURB ALLOWED, INSTALLED ACCESSORIES MUST INCLUDE: PEENED OR TEXTURED L-BAR, PADDED L-SEAT, PRESSURE BALANCING MIXING VALVE, HAND HELD SHOWER WITH SLIDE BAR (BACK WALL, WITH IN REACH OF SEATED USER), VACUUM BREAKER AND 60" HOSE. UNIT AND ACCESSORIES INSTALLED PER MAS & PRAXIS INSTALLATION & WARRANTY GUIDELINES.

BUILD TO ORDER BASE PLUS ACCESSORIES

BASE UNIT 1: G 6037 I 3P MAS		List: \$1432
SPECIFY THRESHOLD HEIGHT	MUDSET	Handed by CENTER DRAIN OR SEAT SIDE
Reinforced for Standard Accessories		
LOOSE SELF-LOCKING PUSH PINS		

BASE UNIT OPTIONAL ACCESSORIES

FINISHES		List:
STANDARD FINISH- POLYESTER GELCOAT FINISH: WHITE, BONE, BISCUIT		\$0

GRAB BARS		
S-BAR 24" x 1.25" PEENED SS		\$136
S-BAR 24" x 1.25" TEXTURED WHITE		\$157
S-BAR 36" x 1.25" PEENED SS		\$138
S-BAR 36" x 1.25" TEXTURED WHITE		\$176

INSIDE CURTAIN LINE SEATS (REVISED ADA-ABA 2004)		
SEAT 28.5" X 21" FRAMELESS WHITE PADDED		\$723

FACTORY MODIFICATIONS		
MOD VALVE DRILLING - SPECIFY HOLE SIZE		\$56
MOD 1.25" NO RECESS BF THRESHOLD		\$111
MOD 2" THRESHOLD		\$0
MOD INSTALL 30" SLIDE BAR / HS KIT		\$411
MOD INSTALL STANDARD SYMMONS VALVE PACKAGE		\$633
MOD INSTALL HANS GROHE THERMOSTATIC VALVE PACKAGE (XLT)		\$501
MOD INSTALL POWERS VALVE PACKAGE (XLT)		\$656

CURTAIN RODS		
ROD CURTAIN ROD U CUP HOLDER PAIR		\$14
ROD 1" OD 20 GAUGE SS		\$71
ROD 1" OD 20 GAUGE WHITE		\$138

FIELD INSTALLED ACCESSORIES		
LOOSE CURTAIN PREMIUM 66" X 72" WHITE NYLON WTD		\$180
LOOSE CURTAIN HEAVY DUTY 66" X 72" WHITE VINYL WTD		\$119
LOOSE TUBGUARD P3 PRO FIELD INST 60" X 30" ADA		\$74

ADDITIONAL ACCESSORIES AND SERVICES MAY BE AVAILABLE UPON REQUEST



G 6037 IBS 3P MAS

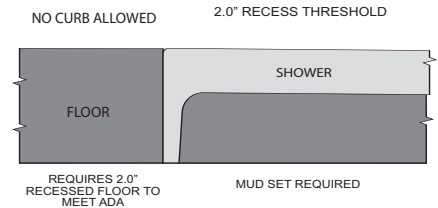
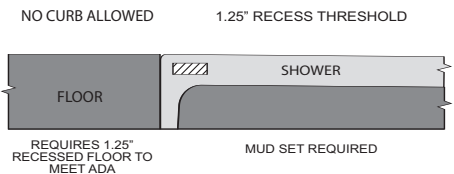
PHOTOGRAPH AT LEFT ILLUSTRATES PACKAGE ONE (HANDED BY SEAT LEFT)

Sanitary Grade Polyester Gelcoat Three Year Warranty

Primary Applications:

- Healthcare
- College Dormitory
- Hospitality
- Schools
- Assisted Living

MAS Roll-In Shower Threshold Requirements:



711B rev. 09/25/07

G 6037 I 3P MAS

OD: 64" x 35" x 75.25"

ID: 60" x 32" CENTER POINT

WEIGHT: 230

LOAD FACTOR: 1.88

HANDED BY: CENTER DRAIN OR SEAT L/R

Special Notes: This unit complies with MAS, ANSI Z124.2, NAHB, UPC, ASTM F462, ASTM E84.

Warranty: Gelcoat models have a 3 year limited warranty. Acrylic models have a 5 year limited warranty. Pumps, parts, and accessories 1 year limited warranty. For further details please refer to the complete warranty section.

Due to the nature of the materials, dimensions may vary +/- 1/2".

DRAWING REQUEST MUST BE MADE FOR PACKAGE 2 DRAWING AND BUILT TO ORDER UNITS.



Hamilton Bathware/Praxis Companies, LLC.

435 Industrial Road, Savannah • Tennessee 38372 • Customer Service: 800.326.5489 • Fax: 888.246.0466 • www.hamiltonbathware.com

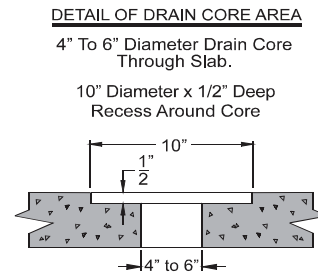
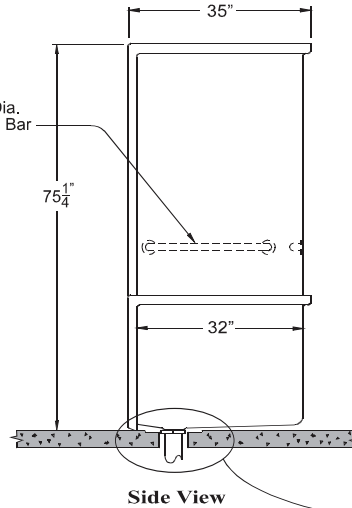
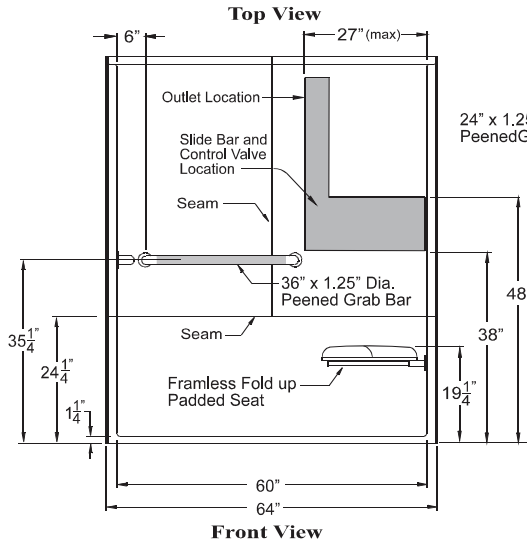
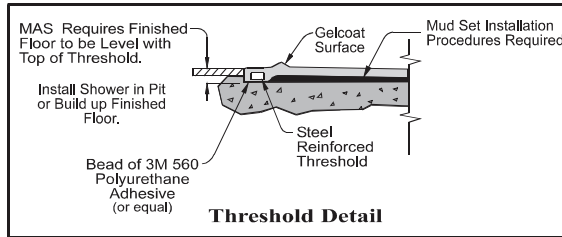
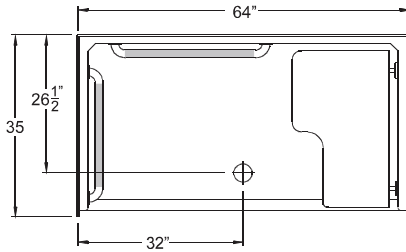
Product Availability
Hamilton Northeast
XL-EXTENDED LEADTIME

Product Availability
Hamilton Mid-America
Download www.somanuals.com **All Manuals Search And Download.**

Product Availability
Hamilton South
STD-STANDARD LEADTIME

PACKAGE ONE - MAS G 6037 IBS 3P MAS

No modifications accepted (Packaged units only)

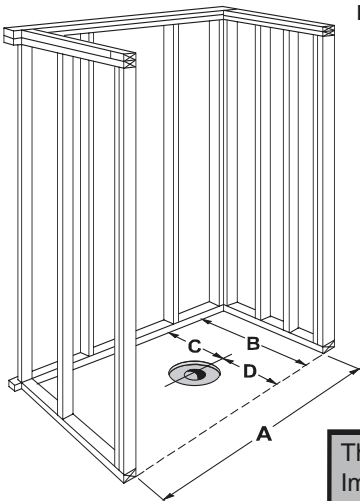


NOTE: Due to the nature of the materials, dimension may vary + - 1/2".

NOTE: Back wall grab bar must be un-bolted during shower installation.

MAS COMPLIANCE REQUIREMENTS

For ADA compliance with seat: Installed accessories must include: L-shaped padded fold up seat, two horizontal grab bars, pressure balancing mixing valve, hand held shower with slide bar (on back wall within reach of seated user), vacuum breaker and 60" hose. Unit and accessories must be installed per MAS and Praxis guidelines.



FRAMING DIMENSIONS

A	B	C	D
64 1/4"	35"	26 1/2"	8 1/2"

10" Diameter x 1/2" Deep Recess Around Drain Core

Unit must be installed into a recessed pit -or- build up finished floor to comply with ADA threshold guidelines.

STANDARD FEATURES

- High gloss gelcoat finish
- Low threshold entry
- Three piece design
- White padded fold up seat
- Stainless steel grab bars

STANDARD CODES

- ANSI Z124.2
- ASTM F463
- ASTM E84
- SBCCI
- NAHB
- UPC

MASSACHUSETTS ARCHITECTURAL ACCESS BOARD

MAS

(when fully equipped)
Unit configured with standard features, pressure balanced control valve and hand held shower package.

Confirm any requested loose accessories desired by circling the items on page one.

Submittal drawing required for Prepackaged model. **NO MODIFICATIONS ACCEPTED.**

All built to order model configurations and submittal drawings must be ordered.

UPC/SKU NUMBERS Left Hand Valve: _____ Right Hand Valve: _____

This model included in the **PRAXIS QUALITY INSTALLATION ASSURANCE PROGRAM.** Important installation procedures **MUST** be followed for the fixture to be granted a warranty.

ATTENTION PLUMBING CONTRACTOR!!! THIS ORDER WILL NOT BE PROCESSED UNLESS THIS DOCUMENT IS SIGNED, DATED AND A CONTACT PHONE NUMBER OF THE PLUMBING CONTRACTOR IS PROVIDED. FOR ORDERS OF FOUR OR MORE UNITS, PARTICIPATION IN THE PRAXIS QUALITY INSTALLATION ASSURANCE PROGRAM IS MANDATORY FOR ACTIVATION OF PRODUCT WARRANTY.

Signed: Date: Contact Phone Number:

Praxis Quality Installation Assurance Program Information: Phone: (800)-759-7744 ext: 29.

Customer Service: (800)-443-7269 Fax: (731)-925-0379

40" Gelcoat Remodel Shower



Hamilton
BATHWARE

ADA/ANSI Transfer Showers SECTIONAL GELCOAT

712A- NO MODIFICATIONS TO PACKAGES. FOR BUILT TO ORDER UNIT, SELECT BASE UNIT AND ACCESSORIES.

PKG ONE-ADA/ANSI: G 3637 IBS 3P	List: \$2043
.5" NO RECESS BF THRESHOLD	MUDSET
Handed by Valve Wall L/R	WHITE POLYESTER GELCOAT FINISH
Factory Installed Accessories (VALVE/SHOWER KIT NOT INCLUDED IN PKG1)	
L-BAR	33.5" X 20" X 1.5" SMOOTH SS
S-BAR	24" x 1.5" SMOOTH SS
SEAT	32" X 21" FRAMELESS WHITE HDPE FOLD UP
LOOSE	SELF-LOCKING PUSH PINS

FOR ADA/ANSI COMPLIANCE: 0.5" CURB ALLOWED, INSTALLED ACCESSORIES MUST INCLUDE: L-BAR AND VERTICAL GRAB BAR, SEAT, PRESSURE BALANCING MIXING VALVE, HAND HELD SHOWER WITH SLIDE BAR, VACUUM BREAKER AND 60" HOSE. UNIT AND ACCESSORIES INSTALLED PER ADA/ANSI & PRAXIS INSTALLATION & WARRANTY GUIDELINES.

BUILD TO ORDER BASE PLUS ACCESSORIES	
BASE UNIT 1: G 3637 I 3P	List: \$961
SPECIFY THRESHOLD HEIGHT	MUDSET
Handed by Valve Wall L/R	
Reinforced for Standard Accessories	
LOOSE	SELF-LOCKING PUSH PINS

BASE UNIT OPTIONAL ACCESSORIES		List:
FINISHES		
STANDARD FINISH- POLYESTER GELCOAT FINISH: WHITE, BONE, BISCUIT		\$0
GRAB BARS		
S-BAR	24" x 1.5" SMOOTH SS	\$128
S-BAR	24" x 1.25" SMOOTH WHITE	\$154
L-BAR	33.5" X 20" X 1.5" SMOOTH SS	\$182
L-BAR	33.5" X 20" X 1.25" SMOOTH WHITE	\$284
INSIDE CURTAIN LINE SEATS (REVISED ADA-ABA 2004)		
SEAT	32" X 21" FRAMELESS WHITE HDPE FOLD UP	\$747
SEAT	32" X 21" FRAMELESS WHITE PADDED FOLD UP	\$747
SEAT	32" X 21" FRAMELESS WOODGRAIN PHENOLIC FOLD UP	\$747
FACTORY MODIFICATIONS		
MOD	VALVE DRILLING - SPECIFY HOLE SIZE	\$56
MOD	.5" NO RECESS BF THRESHOLD	\$111
MOD	INSTALL STANDARD SYMMONS VALVE PACKAGE	\$633
MOD	INSTALL HANS GROHE THERMOSTATIC VALVE PACKAGE (XLT)	\$501
MOD	INSTALL POWERS VALVE PACKAGE (XLT)	\$656
MOD	INSTALL 30" SLIDE BAR / HS KIT	\$411
MOD	ARMORSHIELD P3 PROTECTION	\$149
CURTAIN RODS		
ROD	CURTAIN ROD U CUP HOLDER PAIR	\$14
ROD	1" OD 20 GAUGE SS	\$71
ROD	1" OD 20 GAUGE WHITE	\$138
FIELD INSTALLED ACCESSORIES		
LOOSE	CURTAIN PREMIUM 42" X 72" WHITE NYLON WTD	\$118
LOOSE	CURTAIN HEAVY DUTY 42" X 72" WHITE VINYL WTD	\$96
LOOSE	TUBGUARD P3 PRO FIELD INST 36" ADA	\$74

ADDITIONAL ACCESSORIES AND SERVICES MAY BE AVAILABLE UPON REQUEST

*UNIT IS NOT AVAILABLE IN NORTHEAST MARKET. SEE COMPARABLE UNIT 713 G 3636 IBS 3P.

Special Notes: This unit complies with ANSI Z124.2, ICC/ANSI A117.1, UPC, HUD, ASTM F462, ASTM E84, ADA, ABA, SBCCI, NAHB, UFAS.

Warranty: Gelcoat models have a 3 year limited warranty. Acrylic models have a 5 year limited warranty. Pumps, parts, and accessories 1 year limited warranty. For further details please refer to the complete warranty section.

Due to the nature of the materials, dimensions may vary +/- 1/2".

DRAWING REQUEST MUST BE MADE FOR PACKAGE 2 DRAWING AND BUILT TO ORDER UNITS.



G 3637 IBS 3P

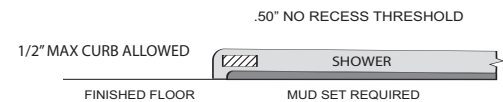
PHOTOGRAPH AT LEFT ILLUSTRATES PACKAGE ONE (HANDED BY VALVE WALL RIGHT)

Sanitary Grade Polyester Gelcoat Three Year Warranty

Primary Applications:

- Healthcare
- College Dormitory
- Hospitality
- Assisted Living

ADA Transfer Shower Threshold Requirements:



712A	rev. 09/25/07
G 3637 I 3P	
OD: 40.25" x 39.5" x 77.25"	
ID: 36" x 36" CENTER POINT	
WEIGHT: 165	
LOAD FACTOR: 1.06	
HANDED BY: VALVE WALL L/R	

Hamilton Bathware/Praxis Companies, LLC.

435 Industrial Road, Savannah • Tennessee 38372 • Customer Service: 800.326.5489 • Fax: 888.246.0466 • www.hamiltonbathware.com

Product Availability
Hamilton Northeast
NA-NOT AVAILABLE

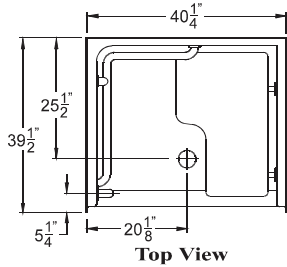
Product Availability
Hamilton Mid-America

Product Availability
Hamilton South
STD-STANDARD LEADTIME

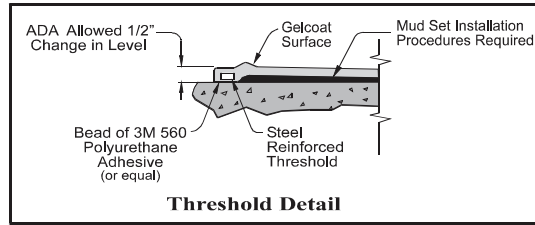


PACKAGE ONE - ADA/ANSI G 3637 IBS 3P

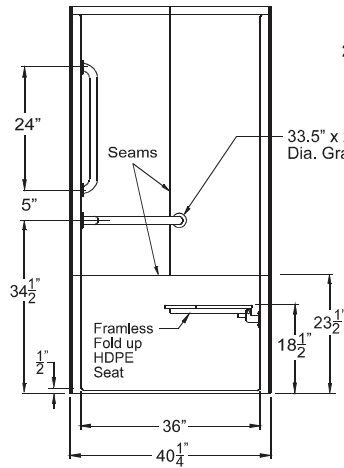
No modifications accepted (Packaged units only)



Top View

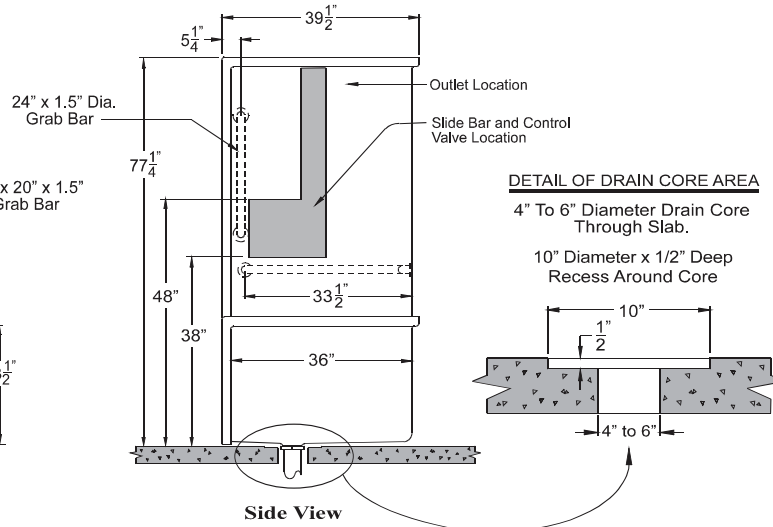


Threshold Detail



Front View

NOTE: Due to the nature of the materials, dimension may vary + - 1/2".

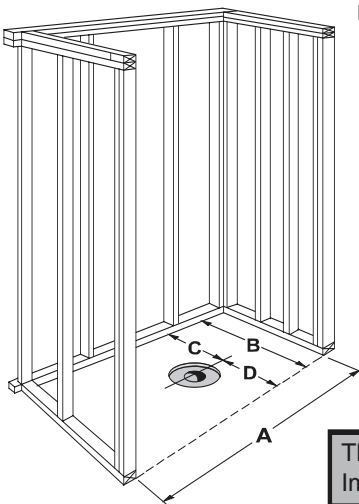


Side View

NOTE: Back wall grab bar must be un-bolted during shower installation.

ADA COMPLIANCE REQUIREMENTS

For ADA compliance installed accessories must include: L-shaped fold up seat, horizontal L-grab bar, vertical grab bar near the entry, pressure balancing mixing valve, hand held shower with slide bar, vacuum breaker and 60" hose. Unit and accessories must be installed per ADA and Praxis guidelines.



FRAMING DIMENSIONS

A	B	C	D
40 1/2"	39 1/2"	25 1/2"	14"

10" Diameter x 1/2" Deep Recess Around Drain Core

STANDARD FEATURES

- High gloss gelcoat finish
- Low threshold entry
- Three piece design
- HDPE fold up seat
- Stainless steel grab bars

STANDARD CODES

- ANSI Z124.2
- ASTM F463
- ASTM E84
- SBCCI
- NAHB
- UPC

ADA CODES

- ICC/ANSI A117.1
- HUD/ADA
- UFAS

(when fully equipped)
Unit configured with standard features, pressure balanced control valve and hand held shower package.

Confirm any requested loose accessories desired by circling the items on page one. Submittal drawing required for Prepackaged model. **NO MODIFICATIONS ACCEPTED.** All built to order model configurations and submittal drawings must be ordered.

UPC/SKU NUMBERS Left Hand Valve: _____ Right Hand Valve: _____

This model included in the **PRAXIS QUALITY INSTALLATION ASSURANCE PROGRAM.** Important installation procedures **MUST** be followed for the fixture to be granted a warranty.

ATTENTION PLUMBING CONTRACTOR!!! THIS ORDER WILL NOT BE PROCESSED UNLESS THIS DOCUMENT IS SIGNED, DATED AND A CONTACT PHONE NUMBER OF THE PLUMBING CONTRACTOR IS PROVIDED. FOR ORDERS OF FOUR OR MORE UNITS, PARTICIPATION IN THE PRAXIS QUALITY INSTALLATION ASSURANCE PROGRAM IS MANDATORY FOR ACTIVATION OF PRODUCT WARRANTY.

Signed: Date: Contact Phone Number:

Praxis Quality Installation Assurance Program Information: Phone: (800)-759-7744 ext: 29.
Customer Service: (800)-443-7269 Fax: (731)-925-0379

Commercial Showers & Tub Showers

40" Gelcoat Remodel Shower



Hamilton
BATHWARE

MAS Transfer Showers SECTIONAL GELCOAT

712B - NO MODIFICATIONS TO PACKAGES. FOR BUILT TO ORDER UNIT, SELECT BASE UNIT AND ACCESSORIES.		
PKG ONE-MAS: G 3637 IBS 3P MAS		List: \$1930
.5" NO RECESS BF THRESHOLD	MUDSET	
Handed by Valve Wall L/R	WHITE POLYESTER GELCOAT FINISH	
Factory Installed Accessories (VALVE/SHOWER KIT NOT INCLUDED IN PKG1)		
L-BAR	33.5" X 20" X 1.25" PEENED SS	
SEAT	32" X 21" FRAMELESS WHITE PADDED FOLD UP	
LOOSE	SELF-LOCKING PUSH PINS	
FOR MAS COMPLIANCE INSTALLED ACCESSORIES MUST INCLUDE PEENED OR TEXTURED L-BAR, PADDED L-SEAT, PRESSURE BALANCING MIXING VALVE, HAND HELD SHOWER WITH SLIDE BAR, VACUUM BREAKER AND 60" HOSE. UNIT AND ACCESSORIES INSTALLED PER MAS & PRAXIS INSTALLATION & WARRANTY GUIDELINES.		
BUILD TO ORDER BASE PLUS ACCESSORIES		
BASE UNIT 1: G 3637 I 3P MAS		List: \$951
SPECIFY THRESHOLD HEIGHT	MUDSET	
Handed by Valve Wall L/R		
Reinforced for Standard Accessories		
LOOSE	SELF-LOCKING PUSH PINS	
BASE UNIT OPTIONAL ACCESSORIES		List: \$
FINISHES		
STANDARD FINISH- POLYESTER GELCOAT FINISH: WHITE, BONE, BISCUIT		\$0
GRAB BARS		
L-BAR	33.5" X 20" X 1.25" PEENED SS	\$232
L-BAR	33.5" X 20" X 1.25" TEXTURED WHITE	\$290
INSIDE CURTAIN LINE SEATS (REVISED ADA-ABA 2004)		
SEAT	32" X 21" FRAMELESS WHITE PADDED FOLD UP	\$747
SEAT	32" X 14.5" WHITE PADDED W/LEGS (Bariatrics)	\$1281
FACTORY MODIFICATIONS		
MOD	VALVE DRILLING - SPECIFY HOLE SIZE	\$56
MOD	.5" NO RECESS BF THRESHOLD	\$111
MOD	INSTALL STANDARD SYMMONS VALVE PACKAGE	\$633
MOD	INSTALL HANS GROHE THERMOSTATIC VALVE PACKAGE (XLT)	\$501
MOD	INSTALL POWERS VALVE PACKAGE (XLT)	\$656
MOD	INSTALL 30" SLIDE BAR / HS KIT	\$411
CURTAIN RODS		
ROD	CURTAIN ROD U CUP HOLDER PAIR	\$14
ROD	1" OD 20 GAUGE SS	\$71
ROD	1" OD 20 GAUGE WHITE	\$138
FIELD INSTALLED ACCESSORIES		
LOOSE	CURTAIN PREMIUM 42" X 72" WHITE NYLON WTD	\$118
LOOSE	TUBGUARD P3 PRO FIELD INST 36" ADA	\$74
ADDITIONAL ACCESSORIES AND SERVICES MAY BE AVAILABLE UPON REQUEST		

*UNIT IS NOT AVAILABLE IN NORTHEAST MARKET. SEE COMPARABLE UNIT G 3636 IBS 3P MAS.



G 3637 IBS 3P MAS

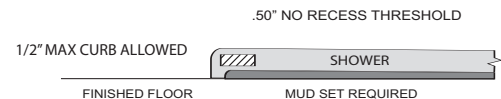
PHOTOGRAPH AT LEFT ILLUSTRATES PACKAGE ONE (HANDED BY VALVE WALL RIGHT)

Sanitary Grade Polyester Gelcoat
Three Year Warranty

Primary Applications:

- Healthcare
- College Dormitory
- Hospitality
- Assisted Living

MAS Transfer Shower Threshold Requirements:



712B

rev. 09/25/07

G 3637 I 3P MAS

OD: 40.25" x 39.5" x 77.25"

ID: 36" x 36" CENTER POINT

WEIGHT: 165

LOAD FACTOR: 1.06

HANDED BY: VALVE WALL L/R



Special Notes: This unit complies with MAS, ANSI Z124.2, NAHB, UPC, ASTM F462, ASTM E84.

Warranty: Gelcoat models have a 3 year limited warranty. Acrylic models have a 5 year limited warranty. Pumps, parts, and accessories 1 year limited warranty. For further details please refer to the complete warranty section.

Due to the nature of the materials, dimensions may vary +/- 1/2".

DRAWING REQUEST MUST BE MADE FOR PACKAGE 2 DRAWING AND BUILT TO ORDER UNITS.

Hamilton Bathware/Praxis Companies, LLC.

435 Industrial Road, Savannah • Tennessee 38372 • Customer Service: 800.326.5489 • Fax: 888.246.0466 • www.hamiltonbathware.com

Product Availability
Hamilton Northeast
NA-NOT AVAILABLE

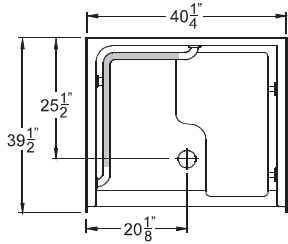
Product Availability
Hamilton Mid-America

Product Availability
Hamilton South

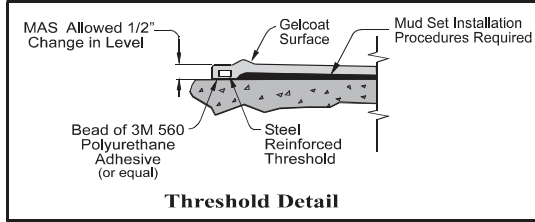
STD-STANDARD LEADTIME

PACKAGE ONE - MAS G 3637 IBS 3P MAS

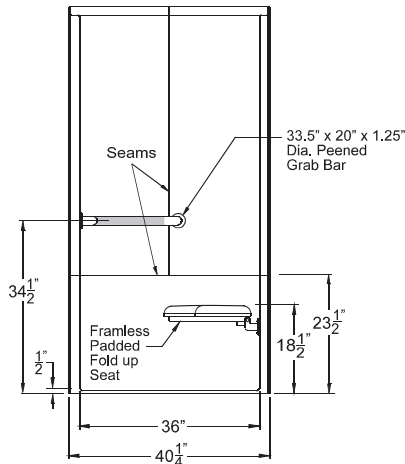
No modifications accepted (Packaged units only)



Top View

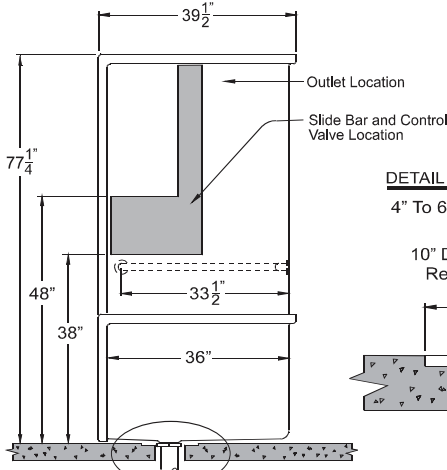


Threshold Detail



Front View

NOTE: Due to the nature of the materials, dimension may vary $\pm 1/2$ ".



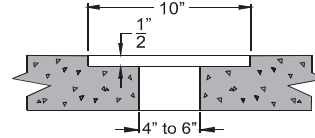
Side View

NOTE: Back wall grab bar must be un-bolted during shower installation.

DETAIL OF DRAIN CORE AREA

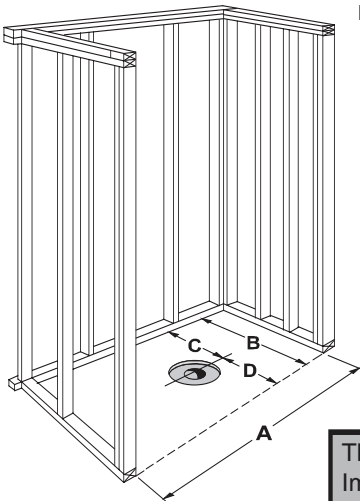
4" To 6" Diameter Drain Core Through Slab.

10" Diameter x 1/2" Deep Recess Around Core



MAS COMPLIANCE REQUIREMENTS

For MAS compliance Installed accessories must include: peened L-grab bar, padded L-shaped fold up seat, pressure balancing mixing valve, hand held shower with 30" slide bar, vacuum breaker and 60" hose. Unit and accessories must be installed per MAS and Praxis guidelines.



FRAMING DIMENSIONS

A	B	C	D
40 1/2"	39 1/2"	25 1/2"	14"

10" Diameter x 1/2" Deep Recess Around Drain Core

STANDARD FEATURES

- High gloss gelcoat finish
- Low threshold entry
- Three piece design
- White padded fold up seat
- Stainless steel grab bar

STANDARD CODES

- ANSI Z124.2
- ASTM F463
- ASTM E84
- SBCCI
- NAHB
- UPC

MASSACHUSETTS ARCHITECTURAL ACCESS BOARD

MAS

(when fully equipped)
Unit configured with standard features, pressure balanced control valve and hand held shower package.

Confirm any requested loose accessories desired by circling the items on page one. Submittal drawing required for Prepackaged model. **NO MODIFICATIONS ACCEPTED.** All built to order model configurations and submittal drawings must be ordered.

UPC/SKU NUMBERS Left Hand Valve: _____ Right Hand Valve: _____

This model included in the **PRAXIS QUALITY INSTALLATION ASSURANCE PROGRAM.** Important installation procedures **MUST** be followed for the fixture to be granted a warranty.

ATTENTION PLUMBING CONTRACTOR!!! THIS ORDER WILL NOT BE PROCESSED UNLESS THIS DOCUMENT IS SIGNED, DATED AND A CONTACT PHONE NUMBER OF THE PLUMBING CONTRACTOR IS PROVIDED. FOR ORDERS OF FOUR OR MORE UNITS, PARTICIPATION IN THE PRAXIS QUALITY INSTALLATION ASSURANCE PROGRAM IS MANDATORY FOR ACTIVATION OF PRODUCT WARRANTY.

Signed: Date: Contact Phone Number:

Praxis Quality Installation Assurance Program Information: Phone: (800)-759-7744 ext: 29.

Customer Service: (800)-443-7269 Fax: (731)-925-0379

40" Gelcoat Remodel Shower



Hamilton
BATHWARE

ADA/ANSI Transfer Showers SECTIONAL GELCOAT

713A- NO MODIFICATIONS TO PACKAGES. FOR BUILT TO ORDER UNIT, SELECT BASE UNIT AND ACCESSORIES.

PKG ONE-ADA/ANSI: G 3636 IBS 3P	List: \$1953
.5" NO RECESS BF THRESHOLD	MUDSET
Handed by Valve Wall L/R	WHITE POLYESTER GELCOAT FINISH
Factory Installed Accessories (VALVE/SHOWER KIT NOT INCLUDED IN PKG1)	
L-BAR	33.5" X 18" X 1.5" SMOOTH SS
S-BAR	24" x 1.5" SMOOTH SS
SEAT	32" X 21" FRAMELESS WHITE HDPE FOLD UP
LOOSE	SELF-LOCKING PUSH PINS

FOR ADA/ANSI COMPLIANCE: 0.5" CURB ALLOWED, INSTALLED ACCESSORIES MUST INCLUDE: L-BAR AND VERTICAL GRAB BAR, L-SEAT, PRESSURE BALANCING MIXING VALVE, HAND HELD SHOWER WITH SLIDE BAR, VACUUM BREAKER AND 60" HOSE. UNIT AND ACCESSORIES INSTALLED PER ADA/ANSI & PRAXIS INSTALLATION & WARRANTY GUIDELINES.

BUILD TO ORDER BASE PLUS ACCESSORIES

BASE UNIT 1: G 3636 I 3P	List: \$883
SPECIFY THRESHOLD HEIGHT	MUDSET
Handed by Valve Wall L/R	
Reinforced for Standard Accessories	
LOOSE	SELF-LOCKING PUSH PINS

BASE UNIT OPTIONAL ACCESSORIES **List:**

FINISHES	
STANDARD FINISH- POLYESTER GELCOAT FINISH: WHITE, BONE, BISCUIT	\$0
GRAB BARS	
S-BAR	24" x 1.5" SMOOTH SS \$128
S-BAR	24" x 1.25" SMOOTH WHITE \$154
L-BAR	33.5" X 18" X 1.5" SMOOTH SS \$198
L-BAR	33.5" X 18" X 1.25" SMOOTH WHITE \$313
INSIDE CURTAIN LINE SEATS (REVISED ADA-ABA 2004)	
SEAT	32" X 21" FRAMELESS WHITE HDPE FOLD UP \$747
SEAT	32" X 21" FRAMELESS WHITE PADDED FOLD UP \$747
SEAT	32" X 21" FRAMELESS WOODGRAIN PHENOLIC FOLD UP \$747
FACTORY MODIFICATIONS	
MOD	VALVE DRILLING - SPECIFY HOLE SIZE \$56
MOD	.5" NO RECESS BF THRESHOLD \$111
MOD	INSTALL STANDARD SYMMONS VALVE PACKAGE \$633
MOD	INSTALL HANS GROHE THERMOSTATIC VALVE PACKAGE (XLT) \$501
MOD	INSTALL POWERS VALVE PACKAGE (XLT) \$656
MOD	INSTALL 30" SLIDE BAR / HS KIT \$411
CURTAIN RODS	
ROD	CURTAIN ROD U CUP HOLDER PAIR \$14
ROD	1" OD 20 GAUGE SS \$71
ROD	1" OD 20 GAUGE WHITE \$138
FIELD INSTALLED ACCESSORIES	
LOOSE	CURTAIN PREMIUM 42" X 72" WHITE NYLON WTD \$118
LOOSE	CURTAIN HEAVY DUTY 42" X 72" WHITE VINYL WTD \$96
LOOSE	TUBGUARD P3 PRO FIELD INST 36" ADA \$74

ADDITIONAL ACCESSORIES AND SERVICES MAY BE AVAILABLE UPON REQUEST

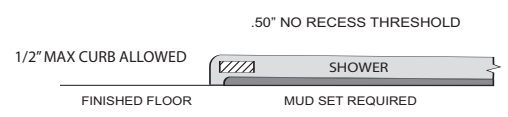


G 3636 IBS 3P
PHOTOGRAPH AT LEFT ILLUSTRATES PACKAGE ONE (HANDED BY VALVE WALL LEFT)

Sanitary Grade Polyester Gelcoat Three Year Warranty

- Primary Applications:**
- Healthcare
 - College Dormitory
 - Hospitality
 - Schools
 - Assisted Living

ADA Transfer Shower Threshold Requirements:



713A	rev. 09/25/07
G 3636 I 3P	
OD: 39.75" x 39.5" x 77.25"	
ID: 36" x 36" CENTER POINT	
WEIGHT: 150	
LOAD FACTOR: 1.06	
HANDED BY: VALVE WALL L/R	

*UNIT IS NOT AVAILABLE IN SOUTH OR MID-AMERICA MARKET. SEE COMPARABLE UNIT 712A G 3637 IBS 3P.

Special Notes: This unit complies with ANSI Z124.2, ICC/ANSI A117.1, UPC, HUD,ASTM F462, ASTM E84, ADA, ABA, SBCCI, NAHB, UFAS.

Warranty: Gelcoat models have a 3 year limited warranty. Acrylic models have a 5 year limited warranty. Pumps, parts, and accessories 1 year limited warranty. For further details please refer to the complete warranty section.

Due to the nature of the materials, dimensions may vary +/- 1/2".

DRAWING REQUEST MUST BE MADE FOR PACKAGE 2 DRAWING AND BUILT TO ORDER UNITS.

Hamilton Bathware/Praxis Companies, LLC.

435 Industrial Road, Savannah • Tennessee 38372 • Customer Service: 800.326.5489 • Fax: 888.246.0466 • www.hamiltonbathware.com

Product Availability
Hamilton Northeast
STD-STANDARD LEADTIME

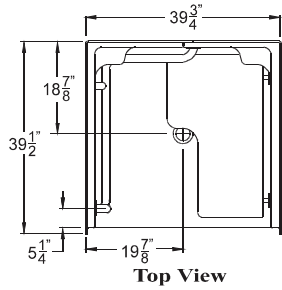
Product Availability
Hamilton Mid-America
Download www.somanuals.com. All Manuals Search And Download.

Product Availability
Hamilton South
NA-NOT AVAILABLE

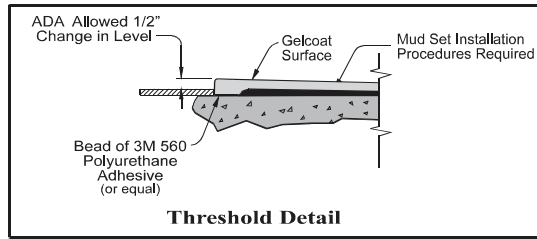


PACKAGE ONE - ADA/ANSI G 3636 IBS 3P

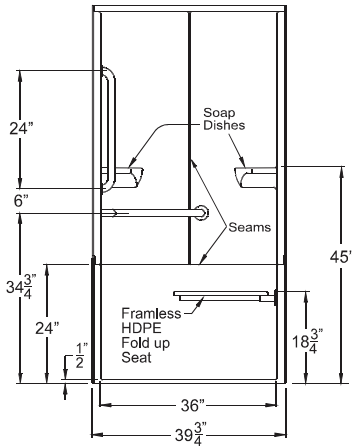
No modifications accepted (Packaged units only)



Top View

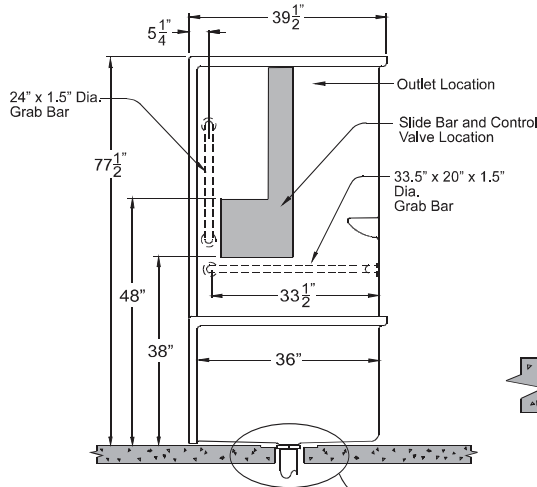


Threshold Detail



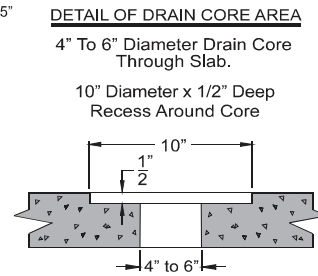
Front View

NOTE: Due to the nature of the materials, dimension may vary +/- 1/2".



Side View

NOTE: Back wall grab bar must be un-bolted during shower installation.



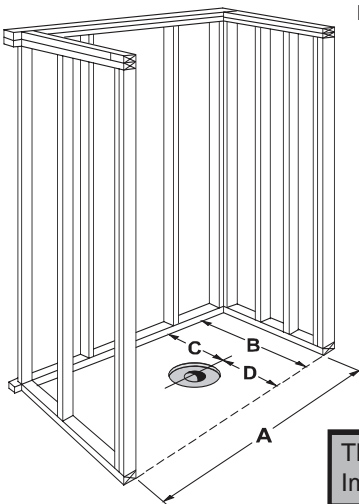
DETAIL OF DRAIN CORE AREA

4" To 6" Diameter Drain Core Through Slab.

10" Diameter x 1/2" Deep Recess Around Core

ADA COMPLIANCE REQUIREMENTS

For ADA compliance installed accessories must include: L-shaped fold up seat, horizontal L-grab bar, vertical grab bar near the entry, pressure balancing mixing valve, hand held shower with slide bar, vacuum breaker and 60" hose. Unit and accessories must be installed per ADA and Praxis guidelines.



FRAMING DIMENSIONS

A	B	C	D
40"	39 1/2"	18 7/8"	20 5/8"

10" Diameter x 1/2" Deep Recess Around Drain Core

STANDARD FEATURES

- High gloss gelcoat finish
- Low threshold entry
- Three piece design
- HDPE fold up seat
- Stainless steel grab bars

STANDARD CODES

- ANSI Z124.2
- ASTM F463
- ASTM E84
- SBCCI
- NAHB
- UPC

ADA CODES

- ICC/ANSI A117.1
- HUD/ADA
- UFAS

(when fully equipped)
Unit configured with standard features, pressure balanced control valve and hand held shower package.

Confirm any requested loose accessories desired by circling the items on page one. Submittal drawing required for Prepackaged model. **NO MODIFICATIONS ACCEPTED.** All built to order model configurations and submittal drawings must be ordered.

UPC/SKU NUMBERS Left Hand Valve: _____ Right Hand Valve: _____

This model included in the **PRAXIS QUALITY INSTALLATION ASSURANCE PROGRAM.** Important installation procedures **MUST** be followed for the fixture to be granted a warranty.

ATTENTION PLUMBING CONTRACTOR!!! THIS ORDER WILL NOT BE PROCESSED UNLESS THIS DOCUMENT IS SIGNED, DATED AND A CONTACT PHONE NUMBER OF THE PLUMBING CONTRACTOR IS PROVIDED. FOR ORDERS OF FOUR OR MORE UNITS, PARTICIPATION IN THE PRAXIS QUALITY INSTALLATION ASSURANCE PROGRAM IS MANDATORY FOR ACTIVATION OF PRODUCT WARRANTY.

Signed: Date: Contact Phone Number:

Praxis Quality Installation Assurance Program Information: Phone: (800)-759-7744 ext: 29.

Customer Service: (800)-443-7269 Fax: (731)-925-0379

Commercial Showers & Tub Showers

40" Gelcoat Remodel Shower



Hamilton
BATHWARE

MAS Transfer Showers SECTIONAL GELCOAT

713B - NO MODIFICATIONS TO PACKAGES. FOR BUILT TO ORDER UNIT, SELECT BASE UNIT AND ACCESSORIES.

PKG ONE-MAS: G 3636 IBS 3P MAS	List: \$1840
.5" NO RECESS BF THRESHOLD	MUDSET
Handed by Valve Wall L/R	WHITE POLYESTER GELCOAT FINISH
Factory Installed Accessories (VALVE/SHOWER KIT NOT INCLUDED IN PKG1)	
L-BAR	33.5" X 18" X 1.25" PEENED SS
SEAT	32" X 21" FRAMELESS WHITE PADDED FOLD UP
LOOSE	SELF-LOCKING PUSH PINS

FOR MAS COMPLIANCE INSTALLED ACCESSORIES MUST INCLUDE PEENED OR TEXTURED L-BAR, PADDED L-SEAT, PRESSURE BALANCING MIXING VALVE, HAND HELD SHOWER WITH SLIDE BAR, VACUUM BREAKER AND 60" HOSE. UNIT AND ACCESSORIES INSTALLED PER MAS & PRAXIS INSTALLATION & WARRANTY GUIDELINES.

BUILD TO ORDER BASE PLUS ACCESSORIES

BASE UNIT 1: G 3636 I 3P MAS	List: \$861
SPECIFY THRESHOLD HEIGHT	MUDSET
Handed by Valve Wall L/R	
Reinforced for Standard Accessories	
LOOSE	SELF-LOCKING PUSH PINS

BASE UNIT OPTIONAL ACCESSORIES

FINISHES	List:
STANDARD FINISH- POLYESTER GELCOAT FINISH: WHITE, BONE, BISCUIT	\$0

GRAB BARS	
L-BAR	33.5" X 18" X 1.25" PEENED SS \$168
L-BAR	33.5" X 18" X 1.25" TEXTURED WHITE \$318

INSIDE CURTAIN LINE SEATS (REVISED ADA-ABA 2004)	
SEAT	32" X 21" FRAMELESS WHITE PADDED FOLD UP \$747

FACTORY MODIFICATIONS	
MOD	VALVE DRILLING - SPECIFY HOLE SIZE \$56
MOD	.5" NO RECESS BF THRESHOLD \$111
MOD	INSTALL STANDARD SYMMONS VALVE PACKAGE \$633
MOD	INSTALL HANS GROHE THERMOSTATIC VALVE PACKAGE (XLT) \$501
MOD	INSTALL POWERS VALVE PACKAGE (XLT) \$656
MOD	INSTALL 30" SLIDE BAR / HS KIT \$411

CURTAIN RODS	
ROD	CURTAIN ROD U CUP HOLDER PAIR \$14
ROD	1" OD 20 GAUGE SS \$71
ROD	1" OD 20 GAUGE WHITE \$138

FIELD INSTALLED ACCESSORIES	
LOOSE	CURTAIN PREMIUM 42" X 72" WHITE NYLON WTD \$118
LOOSE	CURTAIN HEAVY DUTY 42" X 72" WHITE VINYL WTD \$96
LOOSE	TUBGUARD P3 PRO FIELD INST 36" ADA \$74

ADDITIONAL ACCESSORIES AND SERVICES MAY BE AVAILABLE UPON REQUEST

*UNIT IS NOT AVAILABLE IN SOUTH OR MID-AMERICA MARKET. SEE COMPARABLE UNIT 712B G 3637 IBS 3P MAS.



G 3636 IBS 3P MAS

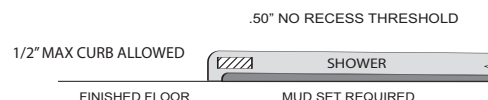
PHOTOGRAPH AT LEFT ILLUSTRATES PACKAGE ONE (HANDED BY VALVE WALL LEFT)

Sanitary Grade Polyester Gelcoat Three Year Warranty

Primary Applications:

- Healthcare
- College Dormitory
- Hospitality
- Schools
- Assisted Living

MAS Transfer Shower Threshold Requirements:



713B rev. 09/25/07

G 3636 I 3P MAS

OD: 39.75" x 39.5" x 77.25"

ID: 36" x 36" CENTER POINT

WEIGHT: 150

LOAD FACTOR: 1.06

HANDED BY: VALVE WALL L/R

Special Notes: This unit complies with MAS, ANSI Z124.2, NAHB, UPC, ASTM F462, ASTM E84.

Warranty: Gelcoat models have a 3 year limited warranty. Acrylic models have a 5 year limited warranty. Pumps, parts, and accessories 1 year limited warranty. For further details please refer to the complete warranty section.

Due to the nature of the materials, dimensions may vary +/- 1/2".

DRAWING REQUEST MUST BE MADE FOR PACKAGE 2 DRAWING AND BUILT TO ORDER UNITS.

Hamilton Bathware/Praxis Companies, LLC.

435 Industrial Road, Savannah • Tennessee 38372 • Customer Service: 800.326.5489 • Fax: 888.246.0466 • www.hamiltonbathware.com



Product Availability
Hamilton Northeast
STD-STANDARD LEADTIME

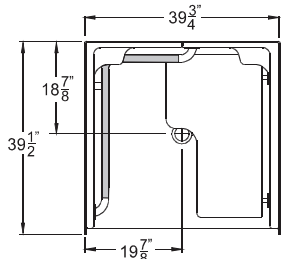
Product Availability
Hamilton Mid-America

Product Availability
Hamilton South
NA-NOT AVAILABLE

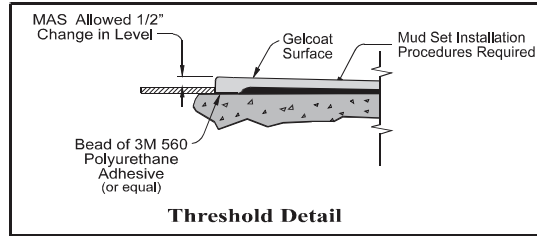
Download from www.Somanuals.com. All Manuals Search And Download.

PACKAGE ONE - MAS G 3636 IBS 3P MAS

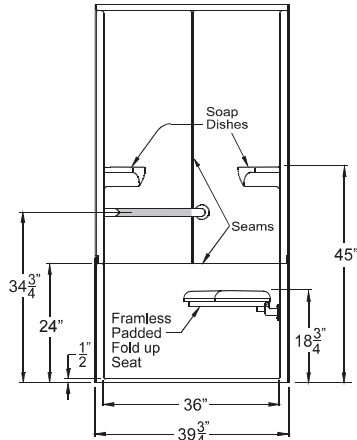
No modifications accepted (Packaged units only)



Top View

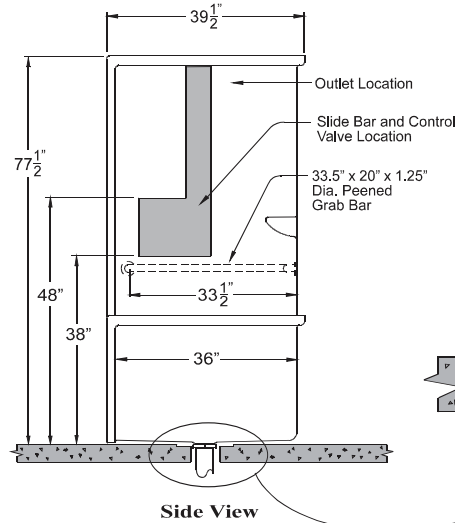


Threshold Detail



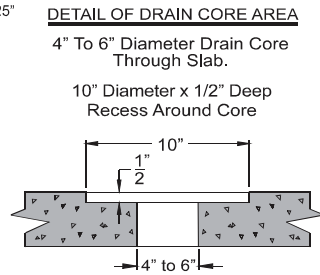
Front View

NOTE: Due to the nature of the materials, dimension may vary +/- 1/2".



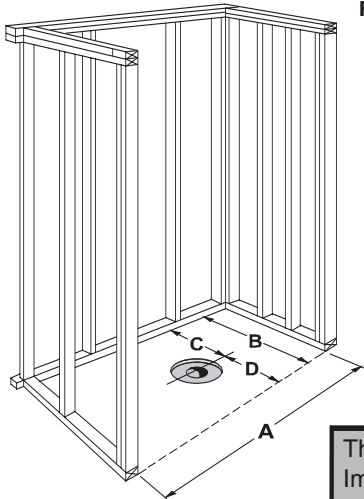
Side View

NOTE: Back wall grab bar must be un-bolted during shower installation.



MAS COMPLIANCE REQUIREMENTS

For MAS compliance Installed accessories must include: peened L-grab bar, padded L-shaped fold up seat, pressure balancing mixing valve, hand held shower with 30" slide bar, vacuum breaker and 60" hose. Unit and accessories must be installed per MAS and Praxis guidelines.



FRAMING DIMENSIONS

A	B	C	D
40"	39 1/2"	18 7/8"	20 5/8"

10" Diameter x 1/2" Deep Recess Around Drain Core

STANDARD FEATURES

- High gloss gelcoat finish
- Low threshold entry
- Three piece design
- White padded fold up seat
- Stainless steel grab bar

STANDARD CODES

- ANSI Z124.2
- ASTM F463
- ASTM E84
- SBCCI
- NAHB
- UPC

MASSACHUSETTS ARCHITECTURAL ACCESS BOARD

MAS

(when fully equipped)
Unit configured with standard features, pressure balanced control valve and hand held shower package.

Confirm any requested loose accessories desired by circling the items on page one. Submittal drawing required for Prepackaged model. **NO MODIFICATIONS ACCEPTED.**

All built to order model configurations and submittal drawings must be ordered.

UPC/SKU NUMBERS Left Hand Valve: _____ Right Hand Valve: _____

This model included in the **PRAXIS QUALITY INSTALLATION ASSURANCE PROGRAM.** Important installation procedures **MUST** be followed for the fixture to be granted a warranty.

ATTENTION PLUMBING CONTRACTOR!!! THIS ORDER WILL NOT BE PROCESSED UNLESS THIS DOCUMENT IS SIGNED, DATED AND A CONTACT PHONE NUMBER OF THE PLUMBING CONTRACTOR IS PROVIDED. FOR ORDERS OF FOUR OR MORE UNITS, PARTICIPATION IN THE PRAXIS QUALITY INSTALLATION ASSURANCE PROGRAM IS MANDATORY FOR ACTIVATION OF PRODUCT WARRANTY.

Signed: Date: Contact Phone Number:

Praxis Quality Installation Assurance Program Information: Phone: (800)-759-7744 ext: 29.

Customer Service: (800)-443-7269 Fax: (731)-925-0379

Commercial Showers & Tub Showers

60" Gelcoat Shower



Hamilton
BATHWARE

Accessible Showers ONE-PIECE GELCOAT

714- NO MODIFICATIONS TO PACKAGES. FOR BUILT TO ORDER UNIT, SELECT BASE UNIT AND ACCESSORIES.		
PKG ONE-ACCESSIBLE: G 3760 IBS		List: \$2722
1.75" THRESHOLD	MUDSET	
HANDED BY SEAT L/R	WHITE POLYESTER GELCOAT FINISH	
Factory Installed Accessories (VALVE/SHOWER KIT NOT INCLUDED IN PKG1)		
S-BAR	24" x 1.5" SMOOTH SS	
S-BAR	24" x 1.5" SMOOTH SS	
S-BAR	30" x 1.5" SMOOTH SS	
SEAT	28.5" X 21" FRAMELESS WHITE HDPE RAD	
BUILD TO ORDER BASE PLUS ACCESSORIES		
BASE UNIT 1: G 3760 I		List: \$2428
SPECIFY THRESHOLD HEIGHT	MUDSET	
HANDED BY CENTER DRAIN OR SEAT SIDE		
Reinforced for Standard Accessories		
BASE UNIT OPTIONAL ACCESSORIES		List:
FINISHES		
STANDARD FINISH- POLYESTER GELCOAT FINISH: WHITE, BONE, BISCUIT		\$0
GRAB BARS		
S-BAR	24" x 1.5" SMOOTH SS	\$117
S-BAR	24" x 1.25" SMOOTH WHITE	\$154
S-BAR	24" x 1.25" PEENED SS	\$136
S-BAR	30" x 1.5" SMOOTH SS	\$121
S-BAR	30" x 1.25" SMOOTH WHITE	\$158
S-BAR	30" x 1.25" PEENED SS	\$129
STANDARD SEATS		
SEAT	28.5" X 21" FRAMELESS WHITE HDPE	\$723
SEAT	28.5" X 21" FRAMELESS WHITE PADDED	\$723
SEAT	28.5" X 21" FRAMELESS WOODGRAIN PHENOLIC	\$723
FACTORY MODIFICATIONS		
MOD	.75" BF THRESHOLD	\$111
MOD	1.75" THRESHOLD	\$111
MOD	VALVE DRILLING - SPECIFY HOLE SIZE	\$56
MOD	ARMORSHIELD P3 PROTECTION	\$149
MOD	INSTALL 30" SLIDE BAR / HS KIT	\$411
MOD	INSTALL STANDARD SYMMONS VALVE PACKAGE	\$633
MOD	INSTALL HANS GROHE VALVE PACKAGE (XLT)	\$501
MOD	INSTALL POWERS VALVE PACKAGE (XLT)	\$656
CURTAIN RODS		
ROD	CURTAIN ROD U CUP HOLDER PAIR	\$14
ROD	1" OD 20 GAUGE SS	\$71
ROD	1" OD 20 GAUGE WHITE	\$138
FIELD INSTALLED ACCESSORIES		
LOOSE	CURTAIN PREMIUM 66" X 72" WHITE NYLON WTD	\$180
LOOSE	CURTAIN HEAVY DUTY 66" X 72" WHITE VINYL WTD	\$119
ADDITIONAL ACCESSORIES AND SERVICES MAY BE AVAILABLE UPON REQUEST		



G 3760 IBS

PHOTOGRAPH AT LEFT ILLUSTRATES PACKAGE ONE (HANDED BY CENTER DRAIN)

Sanitary Grade Polyester Gelcoat Three Year Warranty

Primary Applications:

- Healthcare
- Hospitality
- Assisted Living

714

G 3760 I

OD: 60" x 37.75" x 78.25"

WEIGHT: 170

LOAD FACTOR: 1.26

HANDED BY: CENTER DRAIN OR SEAT SIDE

Special Notes: This unit complies with ANSI Z124.2, UPC, HUD, ASTM F462, ASTM E84, ABA, SBCCI, NAHB, UFAS.

Warranty: Gelcoat models have a 3 year limited warranty. Acrylic models have a 5 year limited warranty. Pumps, parts, and accessories 1 year limited warranty. For further details please refer to the complete warranty section.

Due to the nature of the materials, dimensions may vary +/- 1/2".

DRAWING REQUEST MUST BE MADE FOR PACKAGE 2 DRAWING AND BUILT TO ORDER UNITS.



Hamilton Bathware/Praxis Companies, LLC.

435 Industrial Road, Savannah • Tennessee 38372 • Customer Service: 800.326.5489 • Fax: 888.246.0466 • www.hamiltonbathware.com

Product Availability
Hamilton Northeast
STD-STANDARD LEADTIME

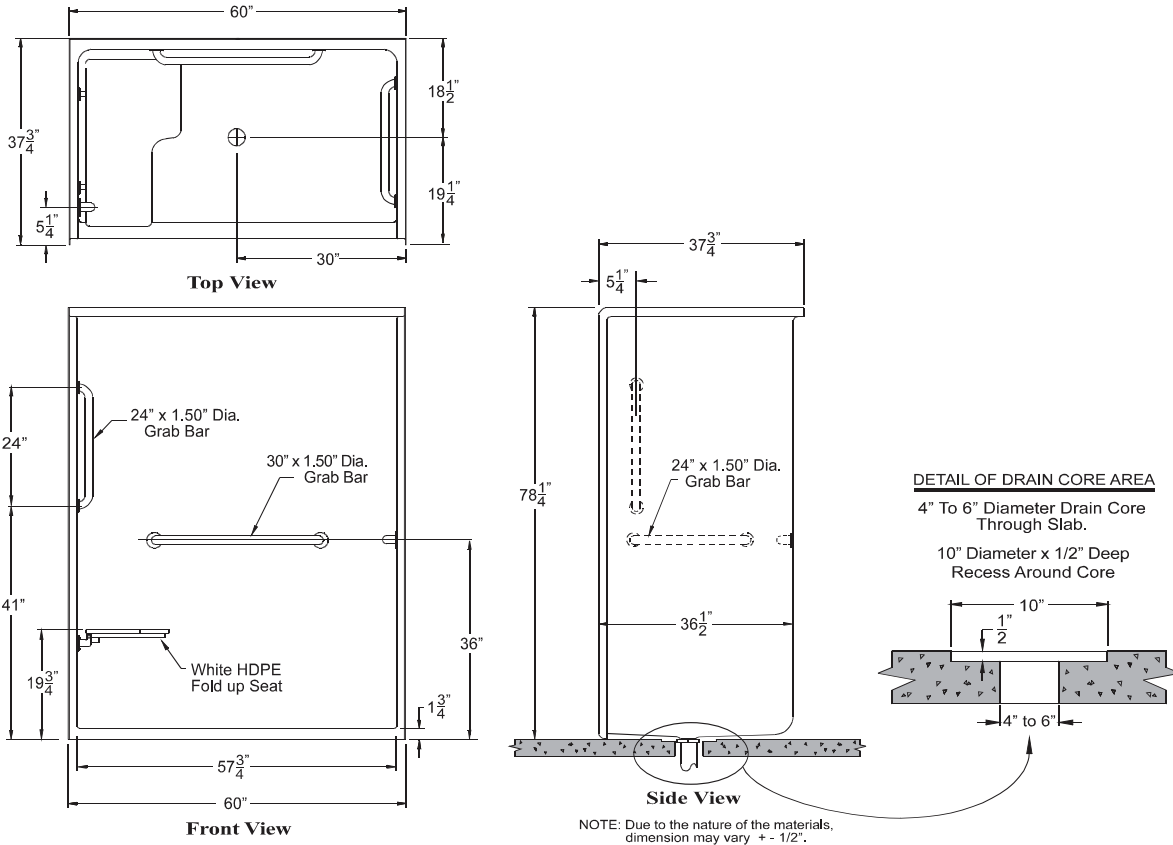
Product Availability
Hamilton Mid-America

Product Availability
Hamilton South
NA-NOT AVAILABLE

Download from www.Somanuals.com. All Manuals Search And Download.

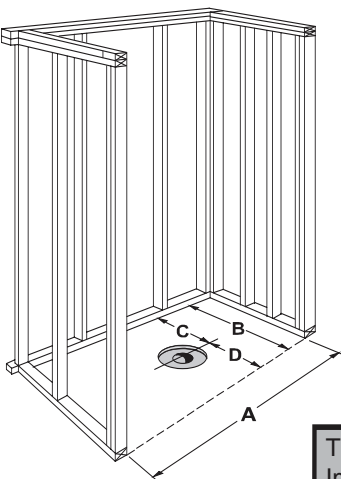
PACKAGE ONE - ACCESSIBLE MODEL G 3760 IBS

No modifications accepted (Packaged units only)



INSTALLATION REQUIREMENTS

Unit is designed to accommodate special needs of accessibility for commercial or residential. Unit requires mud set installation procedures. Unit must be installed per warranty and Praxis guidelines.



FRAMING DIMENSIONS

A	B	C	D
60 1/4"	37 3/4"	18 1/2"	19 1/4"

10" Diameter x 1/2" Deep Recess Around Drain Core

STANDARD FEATURES

- High gloss gelcoat finish
- Low threshold entry
- White fold up seat
- Stainless steel grab bars

STANDARD CODES

- ANSI Z124.2
- ASTM F463
- ASTM E84
- SBCCI
- NAHB
- UPC

PRIMARY APPLICATIONS

- Public Buildings
- Healthcare
- College Dormitory
- Hospitality
- Schools

Confirm any requested loose accessories desired by circling the items on page one. Submittal drawing required for Prepackaged model. **NO MODIFICATIONS ACCEPTED.** All built to order model configurations and submittal drawings must be ordered.

UPC/SKU NUMBERS Left Hand Valve: _____ Right Hand Valve: _____

This model included in the **PRAXIS QUALITY INSTALLATION ASSURANCE PROGRAM.** Important installation procedures **MUST** be followed for the fixture to be granted a warranty.

ATTENTION PLUMBING CONTRACTOR!!! THIS ORDER WILL NOT BE PROCESSED UNLESS THIS DOCUMENT IS SIGNED, DATED AND A CONTACT PHONE NUMBER OF THE PLUMBING CONTRACTOR IS PROVIDED. FOR ORDERS OF FOUR OR MORE UNITS, PARTICIPATION IN THE PRAXIS QUALITY INSTALLATION ASSURANCE PROGRAM IS MANDATORY FOR ACTIVATION OF PRODUCT WARRANTY.

Signed: Date: Contact Phone Number:

Praxis Quality Installation Assurance Program Information: Phone: (800)-759-7744 ext: 29.

Customer Service: (800)-443-7269 Fax: (731)-925-0379

Commercial Showers & Tub Showers

60" Gelcoat Shower



Hamilton
BATHWARE

Accessible Showers ONE-PIECE GELCOAT

715- NO MODIFICATIONS TO PACKAGES. FOR BUILT TO ORDER UNIT, SELECT BASE UNIT AND ACCESSORIES.		
PKG ONE-ACCESSIBLE: G 6096 SH 1S		List: \$969
4" THRESHOLD	WHITE POLYESTER GELCOAT FINISH	
Handed by SEAT L/R		
Factory Installed Accessories (VALVE/SHOWER KIT NOT INCLUDED IN PKG1)		
S-BAR	24" X 1.5" SMOOTH SS	
SEAT	MOLDED 21" H	
BUILD TO ORDER BASE PLUS ACCESSORIES		
BASE UNIT 1: G 6096 SH 1S		List: \$852
SPECIFY THRESHOLD HEIGHT		
Handed by SEAT L/R		
Reinforced for Standard Accessories		
BASE UNIT OPTIONAL ACCESSORIES		List:
FINISHES		
STANDARD FINISH- POLYESTER GELCOAT FINISH: WHITE, BONE, BISCUIT		\$0
GRAB BARS		
S-BAR	24" X 1.5" SMOOTH SS	\$117
S-BAR	24" X 1.25" SMOOTH WHITE	\$154
S-BAR	24" X 1.25" PEENED SS	\$136
FACTORY MODIFICATIONS		
MOD	VALVE DRILLING - SPECIFY HOLE SIZE	\$56
MOD	4" THRESHOLD	\$111
MOD	ARMORSHIELD P3 PROTECTION	\$149
MOD	INSTALL 30" SLIDE BAR / HS KIT	\$411
MOD	INSTALL STANDARD SYMMONS VALVE PACKAGE	\$633
MOD	INSTALL HANS GROHE VALVE PACKAGE (XLT)	\$501
MOD	INSTALL POWERS VALVE PACKAGE (XLT)	\$656
MOD	TUBGUARD P3 PROTECTION 60" X 36" SH	\$86
CURTAIN RODS		
ROD	CURTAIN ROD U CUP HOLDER PAIR	\$14
ROD	1" OD 20 GAUGE SS	\$71
ROD	1" OD 20 GAUGE WHITE	\$138
FIELD INSTALLED ACCESSORIES		
LOOSE	CURTAIN PREMIUM 66" X 72" WHITE NYLON WTD	\$180
LOOSE	CURTAIN HEAVY DUTY 66" X 72" WHITE VINYL WTD	\$119
LOOSE	TUBGUARD P3 PROTECTION 60" X 36" SH	\$74

ADDITIONAL ACCESSORIES AND SERVICES MAY BE AVAILABLE UPON REQUEST

THIS UNIT FEATURES THE OUTSIDE DIMENSIONS OF 60" OF OVERALL WIDTH. THIS DOES NOT ALLOW FOR FULL ENCLOSURE OF THE BOLTS THAT ARE USED TO SECURE THE BARS AND SEAT IN PLACE. THE BOLT AND NUT COMBINATION SHOULD NOT PROTRUDE ANY MORE THAN 3/4" ON EITHER SIDE. THIS SHOULD NOT CREATE ANY TYPE OF INSTALLATION PROBLEMS EXCEPT FOR A DRY WALL ENCLOSED FIRE WALL INSTALLATION AREA THAT WOULD NOT ALLOW FOR ANY VARIATIONS. IN A STANDARD STUD / OPENING INSTALLATION THE EXTENSION OF THE HARDWARE SHOULD NOT CAUSE ANY TYPE OF PROBLEM.

Special Notes: This unit complies with ANSI Z124.2, ASTM F462, ASTM E84, UPC, SBCCI, NAHB.

Warranty: Gelcoat models have a 3 year limited warranty. Acrylic models have a 5 year limited warranty. Pumps, parts, and accessories 1 year limited warranty. For further details please refer to the complete warranty section.

Due to the nature of the materials, dimensions may vary +/- 1/2".

DRAWING REQUEST MUST BE MADE FOR PACKAGE 2 DRAWING AND BUILT TO ORDER UNITS.



G 6096 SH 1S

PHOTOGRAPH AT LEFT ILLUSTRATES PACKAGE ONE (HANDED BY SEAT LEFT)

Sanitary Grade Polyester Gelcoat Three Year Warranty

Primary Applications:

- Healthcare
- College Dormitory
- Multi-Family
- Assisted Living

715

G 6096 SH 1S

OD: 60" X 35" X 73"

WEIGHT: 180

LOAD FACTOR: 1.26

HANDED BY: SEAT L/R



Hamilton Bathware/Praxis Companies, LLC.

435 Industrial Road, Savannah • Tennessee 38372 • Customer Service: 800.326.5489 • Fax: 888.246.0466 • www.hamiltonbathware.com

Product Availability
Hamilton Northeast
STD-STANDARD LEADTIME

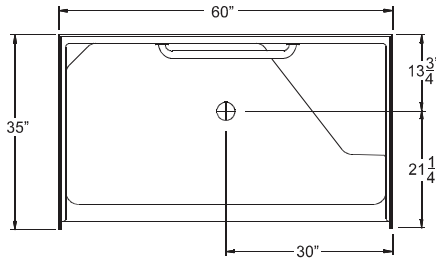
Product Availability
Hamilton Mid-America

Product Availability
Hamilton South

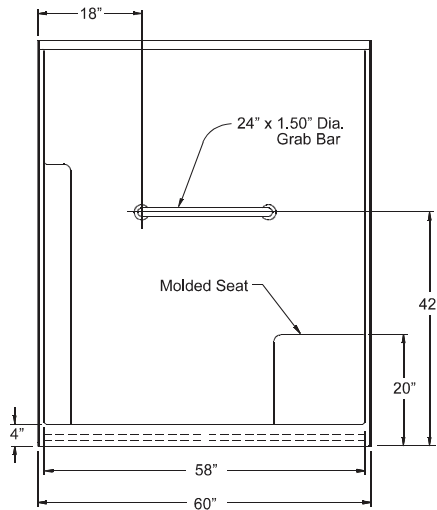
STD-STANDARD LEADTIME

PACKAGE ONE - ACCESSIBLE MODEL G 6096 SH 1S

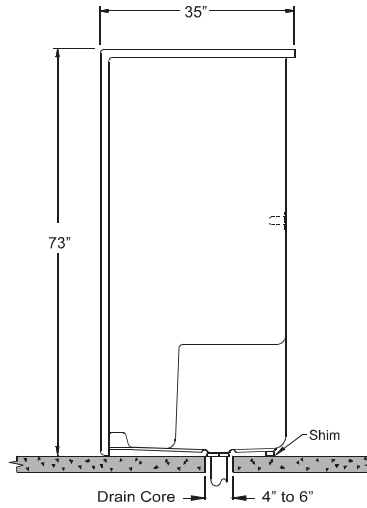
No modifications accepted (Packaged units only)



Top View



Front View

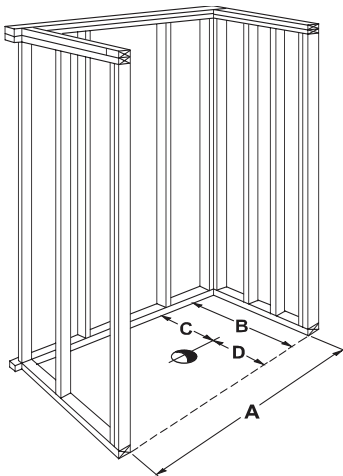


Side View

NOTE: Due to the nature of the materials, dimension may vary + - 1/2".

INSTALLATION REQUIREMENTS

Unit is designed to accommodate special needs of accessibility for commercial or residential. Unit must be installed per warranty and Praxis guidelines.



FRAMING DIMENSIONS

A	B	C	D
60 1/4"	35"	13 3/4"	21 1/4"

STANDARD FEATURES

- High gloss gelcoat finish
- One piece design
- Molded corner shelf
- Molded seat
- Stainless steel grab bars

STANDARD CODES

- ANSI Z124.2
- ASTM F463
- ASTM E84
- SBCCI
- NAHB
- UPC

PRIMARY APPLICATIONS

- Public Buildings
- Healthcare
- College Dormitory
- Hospitality
- Schools

Confirm any requested loose accessories desired by circling the items on page one. Submittal drawing required for Prepackaged model. **NO MODIFICATIONS ACCEPTED.**

All built to order model configurations and submittal drawings must be ordered.

UPC/SKU NUMBERS Left Hand Valve: _____ Right Hand Valve: _____

ATTENTION PLUMBING CONTRACTOR!!! THIS ORDER WILL NOT BE PROCESSED UNLESS THIS DOCUMENT IS SIGNED, DATED AND A CONTACT PHONE NUMBER OF THE PLUMBING CONTRACTOR IS PROVIDED.

Signed: Date: Contact Phone Number:

Customer Service: (800)-443-7269 Fax: (731)-925-0379

Commercial Showers & Tub Showers

48" Gelcoat Shower



Hamilton
BATHWARE

Accessible Showers OPEN TOP GELCOAT

716- NO MODIFICATIONS TO PACKAGES. FOR BUILT TO ORDER UNIT, SELECT BASE UNIT AND ACCESSORIES.

PKG ONE-ACCESSIBLE: G 4897 IB		List: \$1232
RECESS REQUIRED- 2" BF THRESHOLD	MUDSET	
Handed by CENTER DRAIN	WHITE POLYESTER GELCOAT	
Factory Installed Accessories (VALVE/SHOWER KIT NOT INCLUDED IN PKG1)		
S-BAR	20" X 1.5" SMOOTH SS	
S-BAR	20" X 1.5" SMOOTH SS	
S-BAR	30" X 1.5" SMOOTH SS	

PKG TWO-ACCESSIBLE: G 4897 IBS		List: \$1892
RECESS REQUIRED- 2" BF THRESHOLD	MUDSET	
Handed by VALVE WALL L/R	WHITE POLYESTER GELCOAT	
Factory Installed Accessories (VALVE/SHOWER KIT NOT INCLUDED IN PKG2)		
S-BAR	20" X 1.5" SMOOTH SS	
S-BAR	20" X 1.5" SMOOTH SS	
SEAT	28.5" X 21" WHITE HDPE FOLD UP	

BUILD TO ORDER BASE PLUS ACCESSORIES

BASE UNIT 1: G 4897 I		List: \$891
SPECIFY THRESHOLD HEIGHT	MUDSET	
Handed by CENTER DRAIN OR VALVE WALL L/R		
Reinforced for Standard Accessories		

BASE UNIT OPTIONAL ACCESSORIES		List:
FINISHES		
STANDARD FINISH- POLYESTER GELCOAT FINISH: WHITE, BONE, BISCUIT		\$0

GRAB BARS		
S-BAR	20" X 1.5" SMOOTH SS	\$110
S-BAR	20" X 1.25" SMOOTH WHITE	\$151
S-BAR	20" X 1.25" PEENED SS	\$113
S-BAR	30" X 1.5" SMOOTH SS	\$121
S-BAR	30" X 1.25" SMOOTH WHITE	\$158
S-BAR	30" X 1.25" PEENED SS	\$129

STANDARD SEATS		
SEAT	28.5" X 21" FRAMELESS WHITE HDPE	\$723
SEAT	28.5" X 21" FRAMELESS WHITE PADDED	\$723
SEAT	28.5" X 21" FRAMELESS WOODGRAIN PHENOLIC	\$723

FACTORY MODIFICATIONS		
MOD	VALVE DRILLING - SPECIFY HOLE SIZE	\$56
MOD	1.75" THRESHOLD	\$111
MOD	RECESS REQUIRED- 2" BF THRESHOLD	\$0
MOD	INSTALL STANDARD SYMMONS VALVE PACKAGE	\$633
MOD	INSTALL HANS GROHE VALVE PACKAGE (XLT)	\$501
MOD	INSTALL POWERS VALVE PACKAGE(XLT)	\$656
MOD	INSTALL 30" SLIDE BAR / HS KIT	\$411
MOD	ARMORSHIELD P3 PROTECTION	\$149
MOD	TUBGUARD P3 PROTECTION 48" BF	\$

CURTAIN RODS		
ROD	CURTAIN ROD U CUP HOLDER PAIR	\$14
ROD	1" OD 20 GAUGE SS	\$71
ROD	1" OD 20 GAUGE WHITE	\$138

FIELD INSTALLED ACCESSORIES		
LOOSE	CURTAIN PREMIUM 54" X 72" WHITE NYLON WTD	\$180
LOOSE	CURTAIN HEAVY DUTY 54" X 72" WHITE VINYL WTD	\$111
LOOSE	TUBGUARD P3 PRO FIELD INST 48" BF	\$74

ADDITIONAL ACCESSORIES AND SERVICES MAY BE AVAILABLE UPON REQUEST

*UNIT IS NOT AVAILABLE IN THE NORTHERN MARKET OR MID-AMERICA MARKET. SEE COMPARABLE UNIT G 4836 IBS.



G 4897 IB

PHOTOGRAPH AT LEFT ILLUSTRATES PACKAGE ONE (HANDED BY CENTER DRAIN)

Sanitary Grade Polyester Gelcoat Three Year Warranty

Primary Applications:

- Healthcare
- Assisted Living

716

G 4897 I

OD: 47.875" x 37" x 77.75"

WEIGHT: 170

LOAD FACTOR: 1.06

HANDED BY: CENTER DRAIN OR VALVE WALL L/R

Special Notes: This unit complies with ANSI Z124.2, ASTM F462, ASTM E84, UPC, SBCCI, NAHB.

Warranty: Gelcoat models have a 3 year limited warranty. Acrylic models have a 5 year limited warranty. Pumps, parts, and accessories 1 year limited warranty. For further details please refer to the complete warranty section.

Due to the nature of the materials, dimensions may vary +/- 1/2".

DRAWING REQUEST MUST BE MADE FOR PACKAGE 2 DRAWING AND BUILT TO ORDER UNITS.



Hamilton Bathware/Praxis Companies, LLC.

435 Industrial Road, Savannah • Tennessee 38372 • Customer Service: 800.326.5489 • Fax: 888.246.0466 • www.hamiltonbathware.com

Product Availability
Hamilton Northeast
NA-NOT AVAILABLE

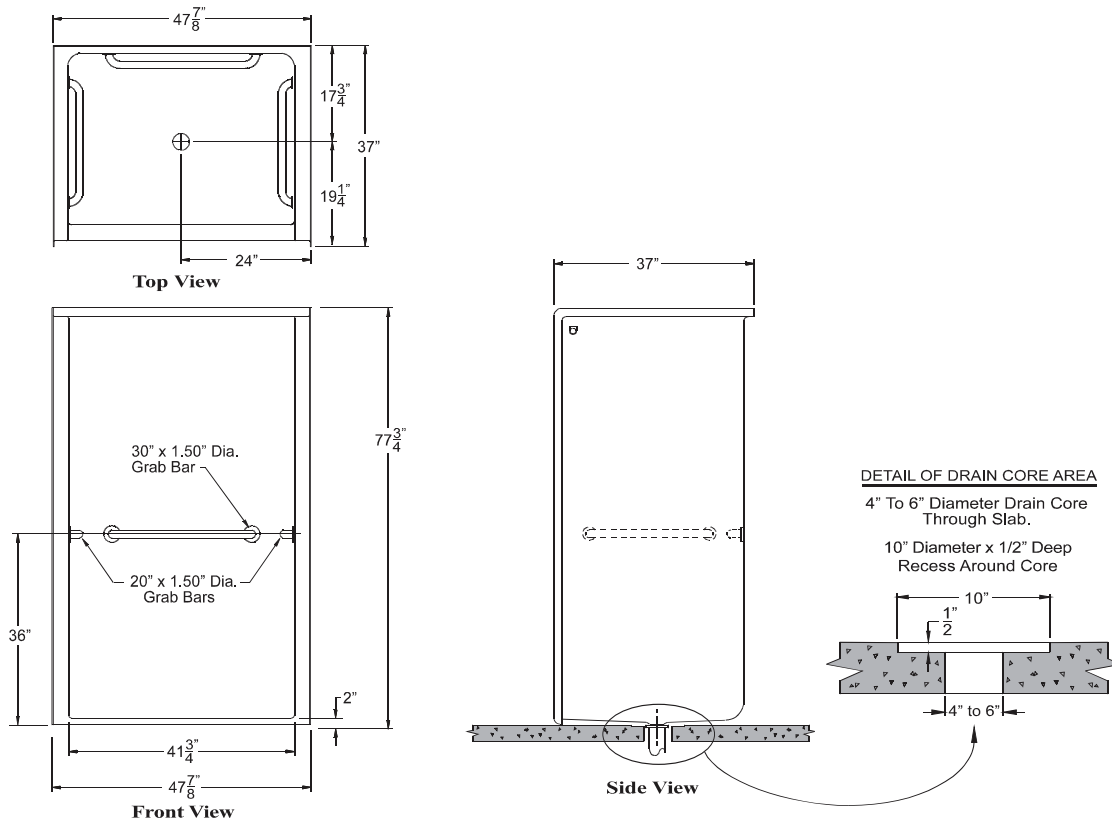
Product Availability
Hamilton Mid-America

Product Availability
Hamilton South
STD-STANDARD LEADTIME

Download from www.Somanuals.com. All Manuals Search And Download.

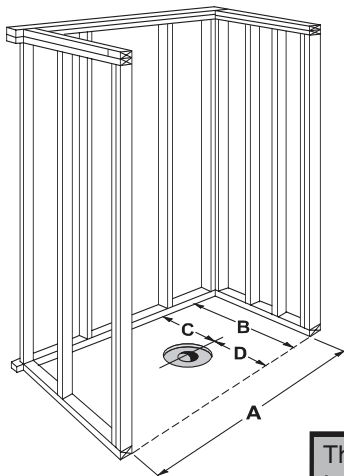
PACKAGE ONE - ACCESSIBLE MODEL G 4897 IB

No modifications accepted (Packaged units only)



INSTALLATION REQUIREMENTS

Unit is designed to accommodate special needs of accessibility for commercial or residential. Unit requires mud set installation procedures. Unit must be installed per warranty and Praxis guidelines.



FRAMING DIMENSIONS

A	B	C	D
48"	37"	17 3/4"	19 1/4"

10" Diameter x 1/2" Deep Recess Around Drain Core

STANDARD FEATURES

- High gloss gelcoat finish
- Low threshold entry
- Stainless steel grab bars

STANDARD CODES

- ANSI Z124.2
- ASTM F463
- ASTM E84
- SBCCI
- NAHB
- UPC

PRIMARY APPLICATIONS

- Public Buildings
- Healthcare
- College Dormitory
- Hospitality
- Schools

Confirm any requested loose accessories desired by circling the items on page one. Submittal drawing required for Prepackaged model. **NO MODIFICATIONS ACCEPTED.** All built to order model configurations and submittal drawings must be ordered.

UPC/SKU NUMBERS Left Hand Valve: _____ Right Hand Valve: _____

This model included in the **PRAXIS QUALITY INSTALLATION ASSURANCE PROGRAM.** Important installation procedures **MUST** be followed for the fixture to be granted a warranty.

ATTENTION PLUMBING CONTRACTOR!!! THIS ORDER WILL NOT BE PROCESSED UNLESS THIS DOCUMENT IS SIGNED, DATED AND A CONTACT PHONE NUMBER OF THE PLUMBING CONTRACTOR IS PROVIDED. FOR ORDERS OF FOUR OR MORE UNITS, PARTICIPATION IN THE PRAXIS QUALITY INSTALLATION ASSURANCE PROGRAM IS MANDATORY FOR ACTIVATION OF PRODUCT WARRANTY.

Signed: Date: Contact Phone Number:

Praxis Quality Installation Assurance Program Information: Phone: (800)-759-7744 ext: 29.

Customer Service: (800)-443-7269 Fax: (731)-925-0379

Commercial Showers & Tub Showers

48" Gelcoat Shower



Hamilton
BATHWARE

Accessible Showers ONE-PIECE GELCOAT

717- NO MODIFICATIONS TO PACKAGES. FOR BUILT TO ORDER UNIT, SELECT BASE UNIT AND ACCESSORIES.

PKG ONE-ACCESSIBLE: G 4836 IB		List: \$1693
1.75" BF THRESHOLD	MUDSET	
Handed by CENTER DRAIN OR VALVE WALL L/R	WHITE POLYESTER GELCOAT FINISH	
Factory Installed Accessories (VALVE/SHOWER KIT NOT INCLUDED IN PKG1)		
S-BAR	20" X 1.5" SMOOTH SS	
S-BAR	20" X 1.5" SMOOTH SS	
S-BAR	30" X 1.5" SMOOTH SS	

PKG TWO-ACCESSIBLE: G 4836 IBS		List: \$2411
1.75" BF THRESHOLD	MUDSET	
Handed by VALVE WALL L/R	WHITE POLYESTER GELCOAT	
Factory Installed Accessories (VALVE/SHOWER KIT NOT INCLUDED IN PKG2)		
S-BAR	20" X 1.5" SMOOTH SS	
S-BAR	20" X 1.5" SMOOTH SS	
SEAT	28.5" X 21" FRAMELESS WHITE HDPE	

BUILD TO ORDER BASE PLUS ACCESSORIES

BASE UNIT 1: G 4836 I		List: \$1456
SPECIFY THRESHOLD HEIGHT	MUDSET	
Handed by CENTER DRAIN OR VALVE WALL L/R		
Reinforced for Standard Accessories		

BASE UNIT OPTIONAL ACCESSORIES List:

FINISHES		List:
STANDARD FINISH- POLYESTER GELCOAT FINISH: WHITE, BONE, BISCUIT		\$0

GRAB BARS		List:
S-BAR	20" X 1.5" SMOOTH SS	\$110
S-BAR	20" X 1.25" SMOOTH WHITE	\$151
S-BAR	20" X 1.25" PEENED SS	\$113
S-BAR	30" X 1.5" SMOOTH SS	\$121
S-BAR	30" X 1.25" SMOOTH WHITE	\$158
S-BAR	30" X 1.25" PEENED SS	\$129

STANDARD SEATS		List:
SEAT	28.5" X 21" FRAMELESS WHITE HDPE	\$723
SEAT	28.5" X 21" FRAMELESS WHITE PADDED	\$723
SEAT	28.5" X 21" FRAMELESS WOODGRAIN PHENOLIC	\$723

FACTORY MODIFICATIONS		List:
MOD	VALVE DRILLING - SPECIFY HOLE SIZE	\$56
MOD	1.75" THRESHOLD	\$111
MOD	INSTALL STANDARD SYMMONS VALVE PACKAGE	\$633
MOD	INSTALL HANS GROHE VALVE PACKAGE (XLT)	\$501
MOD	INSTALL POWERS VALVE PACKAGE (XLT)	\$656
MOD	INSTALL 30" SLIDE BAR / HS KIT	\$411
MOD	ARMORSHIELD P3 PROTECTION	\$149
MOD	TUBGUARD P3 PROTECTION 48" BF	\$56

CURTAIN RODS		List:
ROD	CURTAIN ROD U CUP HOLDER PAIR	\$14
ROD	1" OD 20 GAUGE SS	\$71
ROD	1" OD 20 GAUGE WHITE	\$138

FIELD INSTALLED ACCESSORIES		List:
LOOSE	CURTAIN PREMIUM 54" X 72" WHITE NYLON WTD	\$180
LOOSE	CURTAIN HEAVY DUTY 54" X 72" WHITE VINYL WTD	\$111
LOOSE	TUBGUARD P3 PRO FIELD INST 48" BF	\$74

ADDITIONAL ACCESSORIES AND SERVICES MAY BE AVAILABLE UPON REQUEST

*UNIT IS NOT AVAILABLE IN THE SOUTHERN MARKET.
SEE COMPARABLE UNIT G 4897 IB.

Hamilton Bathware/Praxis Companies, LLC.

435 Industrial Road, Savannah • Tennessee 38372 • Customer Service: 800.326.5489 • Fax: 888.246.0466 • www.hamiltonbathware.com



G 4836 IB

PHOTOGRAPH AT LEFT ILLUSTRATES PACKAGE ONE (HANDED BY CENTER DRAIN OR VALVE WALL)

Sanitary Grade Polyester Gelcoat Three Year Warranty

Primary Applications:

- Healthcare
- Assisted Living

717

G 4836 I

OD: 48" x 37.25" x 78"

WEIGHT: 170

LOAD FACTOR: 1.06

HANDED BY: CENTER DRAIN OR VALVE WALL

Special Notes: This unit complies with ANSI Z124.2, ASTM F462, ASTM E84, UPC, SBCCI, NAHB.

Warranty: Gelcoat models have a 3 year limited warranty. Acrylic models have a 5 year limited warranty. Pumps, parts, and accessories 1 year limited warranty. For further details please refer to the complete warranty section.

Due to the nature of the materials, dimensions may vary +/- 1/2".

DRAWING REQUEST MUST BE MADE FOR PACKAGE 2 DRAWING AND BUILT TO ORDER UNITS.



Product Availability
Hamilton Northeast
STD-STANDARD LEADTIME

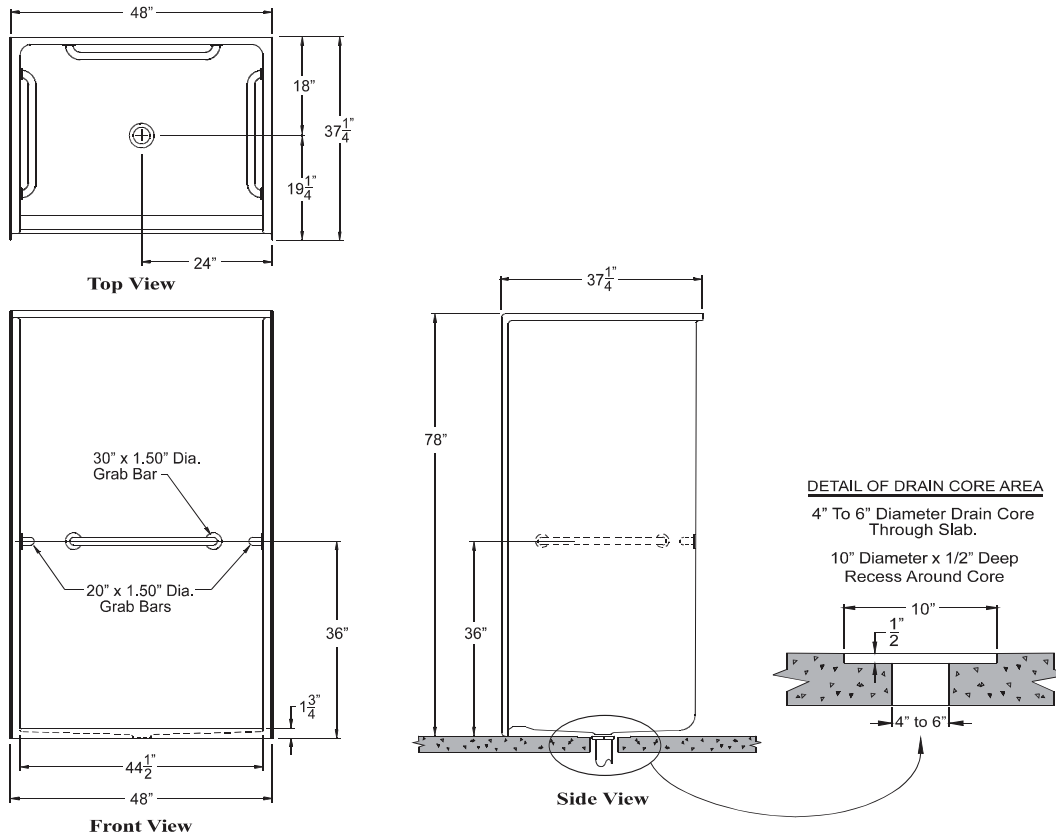
Product Availability
Hamilton Mid-America

Product Availability
Hamilton South
NA-NOT AVAILABLE

Download: www.Somanuals.com. All Manuals Search And Download.

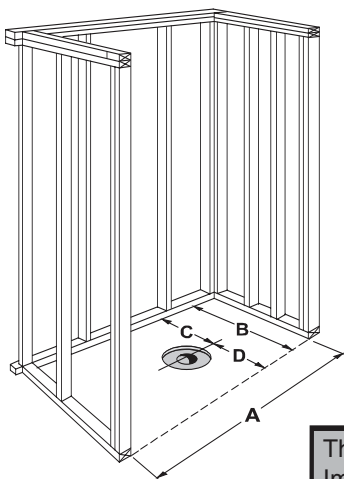
PACKAGE ONE - ACCESSIBLE MODEL G 4836 IB

No modifications accepted (Packaged units only)



INSTALLATION REQUIREMENTS

Unit is designed to accommodate special needs of accessibility for commercial or residential. Unit requires mud set installation procedures. Unit must be installed per warranty and Praxis guidelines.



FRAMING DIMENSIONS

A	B	C	D
48 1/4"	37 1/4"	18"	19 1/4"

10" Diameter x 1/2" Deep Recess Around Drain Core

STANDARD FEATURES

- High gloss gelcoat finish
- Low threshold entry
- Stainless steel grab bars

STANDARD CODES

- ANSI Z124.2
- ASTM F463
- ASTM E84
- SBCCI
- NAHB
- UPC

PRIMARY APPLICATIONS

- Public Buildings
- Healthcare
- College Dormitory
- Hospitality
- Schools

Confirm any requested loose accessories desired by circling the items on page one. Submittal drawing required for Prepackaged model. **NO MODIFICATIONS ACCEPTED.** All built to order model configurations and submittal drawings must be ordered.

UPC/SKU NUMBERS Left Hand Valve: _____ Right Hand Valve: _____

This model included in the **PRAXIS QUALITY INSTALLATION ASSURANCE PROGRAM.** Important installation procedures **MUST** be followed for the fixture to be granted a warranty.

ATTENTION PLUMBING CONTRACTOR!!! THIS ORDER WILL NOT BE PROCESSED UNLESS THIS DOCUMENT IS SIGNED, DATED AND A CONTACT PHONE NUMBER OF THE PLUMBING CONTRACTOR IS PROVIDED. FOR ORDERS OF FOUR OR MORE UNITS, PARTICIPATION IN THE PRAXIS QUALITY INSTALLATION ASSURANCE PROGRAM IS MANDATORY FOR ACTIVATION OF PRODUCT WARRANTY.

Signed: Date: Contact Phone Number:

Praxis Quality Installation Assurance Program Information: Phone: (800)-759-7744 ext: 29.
 Customer Service: (800)-443-7269 Fax: (731)-925-0379

Commercial Showers & Tub Showers

48" Gelcoat Shower



Hamilton
BATHWARE

Accessible Showers ONE-PIECE GELCOAT

718- NO MODIFICATIONS TO PACKAGES. FOR BUILT TO ORDER UNIT, SELECT BASE UNIT AND ACCESSORIES.		
PKG ONE-ACCESSIBLE: G 4837 SH 1S		List: \$1057
4" THRESHOLD	SHIM	
Handed by SEAT L/R	WHITE POLYESTER GELCOAT FINISH	
Factory Installed Accessories (VALVE/SHOWER KIT NOT INCLUDED IN PKG1)		
S-BAR	16" X 1.5" SMOOTH SS	
S-BAR	20" X 1.5" SMOOTH SS	
SEAT	MOLDED 18" H	
BUILD TO ORDER BASE PLUS ACCESSORIES		
BASE UNIT 1: G 4837 SH 1S		List: \$835
SPECIFY THRESHOLD HEIGHT	SHIM	
Handed by SEAT L/R		
Reinforced for Standard Accessories		
BASE UNIT OPTIONAL ACCESSORIES		List:
FINISHES		
STANDARD FINISH- POLYESTER GELCOAT FINISH: WHITE, BONE, BISCUIT		\$0
GRAB BARS		
S-BAR	16" X 1.5" SMOOTH SS	\$112
S-BAR	16" X 1.25" SMOOTH WHITE	\$173
S-BAR	16" X 1.25" PEENED SS	\$111
S-BAR	20" X 1.5" SMOOTH SS	\$110
S-BAR	20" X 1.25" SMOOTH WHITE	\$151
S-BAR	20" X 1.25" PEENED SS	\$113
FACTORY MODIFICATIONS		
MOD	VALVE DRILLING - SPECIFY HOLE SIZE	\$56
MOD	3.25" THRESHOLD	\$111
MOD	4" THRESHOLD	\$111
MOD	ARMORSHIELD P3 PROTECTION	\$149
MOD	INSTALL 30" SLIDE BAR / HS KIT	\$411
MOD	INSTALL STANDARD SYMMONS VALVE PACKAGE	\$633
MOD	INSTALL HANS GROHE VALVE PACKAGE (XLT)	\$501
MOD	INSTALL POWERS VALVE PACKAGE (XLT)	\$656
CURTAIN RODS		
ROD	CURTAIN ROD U CUP HOLDER PAIR	\$14
ROD	1" OD 20 GAUGE SS	\$71
ROD	1" OD 20 GAUGE WHITE	\$138
FIELD INSTALLED ACCESSORIES		
LOOSE	CURTAIN PREMIUM 54" X 72" WHITE NYLON WTD	\$180
LOOSE	CURTAIN HEAVY DUTY 54" X 72" WHITE VINYL WTD	\$111
ADDITIONAL ACCESSORIES AND SERVICES MAY BE AVAILABLE UPON REQUEST		



G 4837 SH 1S

PHOTOGRAPH AT LEFT
ILLUSTRATES PACKAGE ONE
(HANDED BY SEAT LEFT)

**Sanitary Grade
Polyester Gelcoat
Three Year Warranty**

Primary Applications:

- Healthcare
- College Dormitory
- Hospitality
- Multi-Family
- Assisted Living

718

G 4837 SH 1S

OD: 48" x 37" x 78"

WEIGHT: 155

LOAD FACTOR: 1.06

HANDED BY: SEAT L/R

Special Notes: This unit complies with ANSI Z124.2, ASTM F462, ASTM E84, UPC, SBCCI, NAHB.

Warranty: Gelcoat models have a 3 year limited warranty. Acrylic models have a 5 year limited warranty. Pumps, parts, and accessories 1 year limited warranty. For further details please refer to the complete warranty section.

Due to the nature of the materials, dimensions may vary +/- 1/2".

DRAWING REQUEST MUST BE MADE FOR PACKAGE 2 DRAWING AND BUILT TO ORDER UNITS.



Hamilton Bathware/Praxis Companies, LLC.

435 Industrial Road, Savannah • Tennessee 38372 • Customer Service: 800.326.5489 • Fax: 888.246.0466 • www.hamiltonbathware.com

**Product Availability
Hamilton Northeast
STD-STANDARD LEADTIME**

**Product Availability
Hamilton Mid-America**

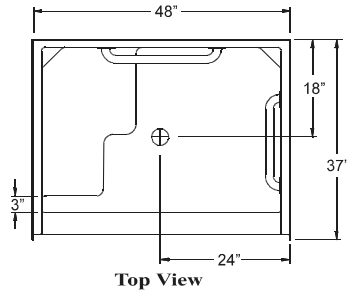
**Product Availability
Hamilton South**

STD-STANDARD LEADTIME

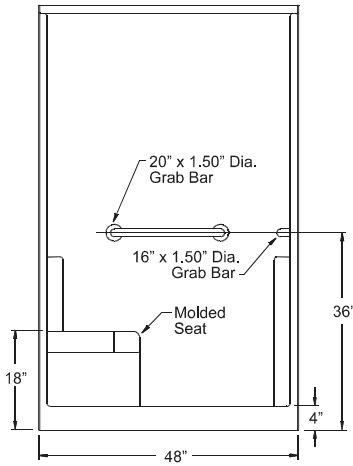
Download from www.Somanuals.com. All Manuals Search And Download.

PACKAGE ONE - ACCESSIBLE MODEL G 4837 SH 1S

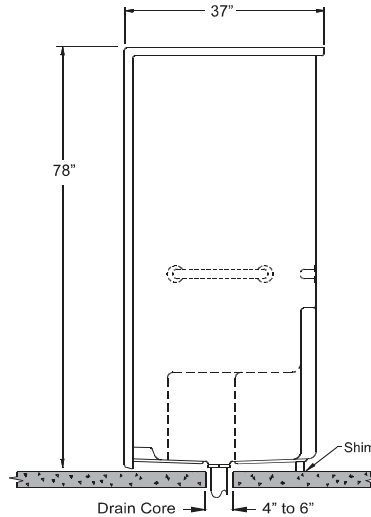
No modifications accepted (Packaged units only)



Top View



Front View

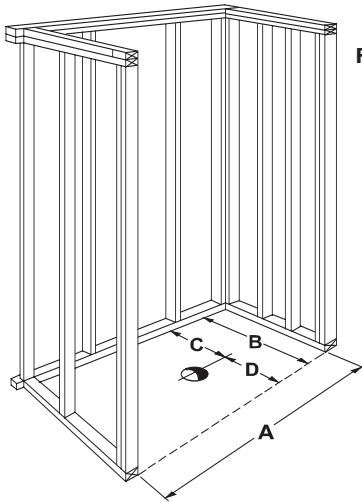


Side View

NOTE: Due to the nature of the materials, dimension may vary + - 1/2".

INSTALLATION REQUIREMENTS

Unit is designed to accommodate special needs of accessibility for commercial or residential. Unit must be installed per warranty and Praxis guidelines.



FRAMING DIMENSIONS

A	B	C	D
48 1/4"	37"	18"	19"

STANDARD FEATURES

- High gloss gelcoat finish
- One piece design
- Molded soap dishes
- Molded seat, right or left
- Stainless steel grab bars

STANDARD CODES

- ANSI Z124.2
- ASTM F463
- ASTM E84
- SBCCI
- NAHB
- UPC

PRIMARY APPLICATIONS

- Public Buildings
- Healthcare
- College Dormitory
- Hospitality
- Schools

Confirm any requested loose accessories desired by circling the items on page one. Submittal drawing required for Prepackaged model. **NO MODIFICATIONS ACCEPTED.**

All built to order model configurations and submittal drawings must be ordered.

UPC/SKU NUMBERS Left Hand Valve: _____ Right Hand Valve: _____

ATTENTION PLUMBING CONTRACTOR!!! THIS ORDER WILL NOT BE PROCESSED UNLESS THIS DOCUMENT IS SIGNED, DATED AND A CONTACT PHONE NUMBER OF THE PLUMBING CONTRACTOR IS PROVIDED.

Signed: Date: Contact Phone Number:

Customer Service: (800)-443-7269 Fax: (731)-925-0379

Commercial Showers & Tub Showers

48" Acrylic Shower



Hamilton
BATHWARE

Accessible Showers DOME TOP ACRYLIC

719- NO MODIFICATIONS TO PACKAGES. FOR BUILT TO ORDER UNIT, SELECT BASE UNIT AND ACCESSORIES.		
PKG ONE - ACCESSIBLE: H 4836 IBS		List: \$1986
2" THRESHOLD	MUDSET	
Handed by Valve Wall L/R	WHITE PREMIUM CAST ACRYLIC	
Factory Installed Accessories (VALVE/SHOWER KIT NOT INCLUDED IN PKG1)		
S-BAR	24" X 1.5" SMOOTH SS	
L-BAR	25" X 20" X 1.5" SMOOTH SS RADIUS	
SEAT	ACRYLIC MOLDED SEAT L/R	
ROD	1" OD 20 GAUGE SS GROMMET STYLE	
BUILD TO ORDER BASE PLUS ACCESSORIES		
BASE UNIT 1: H 4836 I		List: \$1604
SPECIFY THRESHOLD HEIGHT	MUDSET	
Handed by Valve Wall L/R		
Reinforced for Standard Accessories		
BASE UNIT OPTIONAL ACCESSORIES		List:
FINISHES		
STANDARD FINISH- PREMIUM CAST ACRYLIC: WHITE, BONE, BISCUIT		\$0
GRAB BARS		
S-BAR	24" X 1.5" SMOOTH SS	\$117
S-BAR	24" X 1.25" SMOOTH WHITE	\$154
S-BAR	24" X 1.25" PEENED SS	\$136
L-BAR	25" X 20" X 1.5" SMOOTH SS RADIUS	\$195
L-BAR	25" X 20" X 1.25" SMOOTH WHITE RADIUS	\$298
L-BAR	25" X 20" X 1.25" PEENED SS RADIUS	\$220
STANDARD SEATS		
SEAT	ACRYLIC MOLDED SEAT L/R	\$100
SEAT	28.5" X 21" FRAMELESS WHITE HDPE RAD	\$723
SEAT	28.5" X 21" FRAMELESS WHITE PADDED RAD	\$723
SEAT	28.5" X 21" FRAMELESS WOODGRAIN PHENOLIC RAD	\$723
FACTORY MODIFICATIONS		
MOD	MODIFIED DRAIN LOCATION-SPECIFY LOCATION	\$500
MOD	VALVE DRILLING - SPECIFY HOLE SIZE	\$56
MOD	.75" THRESHOLD (EASYBASE)	\$111
MOD	2" THRESHOLD	\$0
MOD	INSTALL 30" SLIDE BAR / HS KIT	\$411
MOD	INSTALL STANDARD SYMMONS VALVE PACKAGE	\$633
MOD	INSTALL HANS GROHE VALVE PACKAGE (XLT)	\$501
MOD	INSTALL POWERS VALVE PACKAGE (XLT)	\$656
CURTAIN RODS		
ROD	1" OD 20 GAUGE SS GROMMET STYLE	\$71
ROD	1" OD 20 GAUGE WHITE GROMMET STYLE	\$138
FIELD INSTALLED ACCESSORIES		
LOOSE	CURTAIN PREMIUM 54" X 72" WHITE NYLON WTD	\$180
LOOSE	CURTAIN HEAVY DUTY 54" X 72" WHITE VINYL WTD	\$111
ADDITIONAL ACCESSORIES AND SERVICES MAY BE AVAILABLE UPON REQUEST		



H 4836 IBS

PHOTOGRAPH AT LEFT ILLUSTRATES PACKAGE ONE (HANDED BY VALVE WALL RIGHT)

Premium Cast Acrylic

Five Year Warranty

Primary Applications:

- Public Buildings
- Healthcare
- College Dormitory
- Hospitality
- Schools

719

H 4836 I

OD: 48" x 35.5" x 84"

WEIGHT: 200

LOAD FACTOR: 1.06

HANDED BY: VALVE WALL L/R

Special Notes: This unit complies with ANSI Z124.2, ASTM F462, ASTM E84, UPC, SBCCI, NAHB.

Warranty: Gelcoat models have a 3 year limited warranty. Acrylic models have a 5 year limited warranty. Pumps, parts, and accessories 1 year limited warranty. For further details please refer to the complete warranty section.

Due to the nature of the materials, dimensions may vary +/- 1/2".

DRAWING REQUEST MUST BE MADE FOR PACKAGE 2 DRAWING AND BUILT TO ORDER UNITS.



Hamilton Bathware/Praxis Companies, LLC.

435 Industrial Road, Savannah • Tennessee 38372 • Customer Service: 800.326.5489 • Fax: 888.246.0466 • www.hamiltonbathware.com

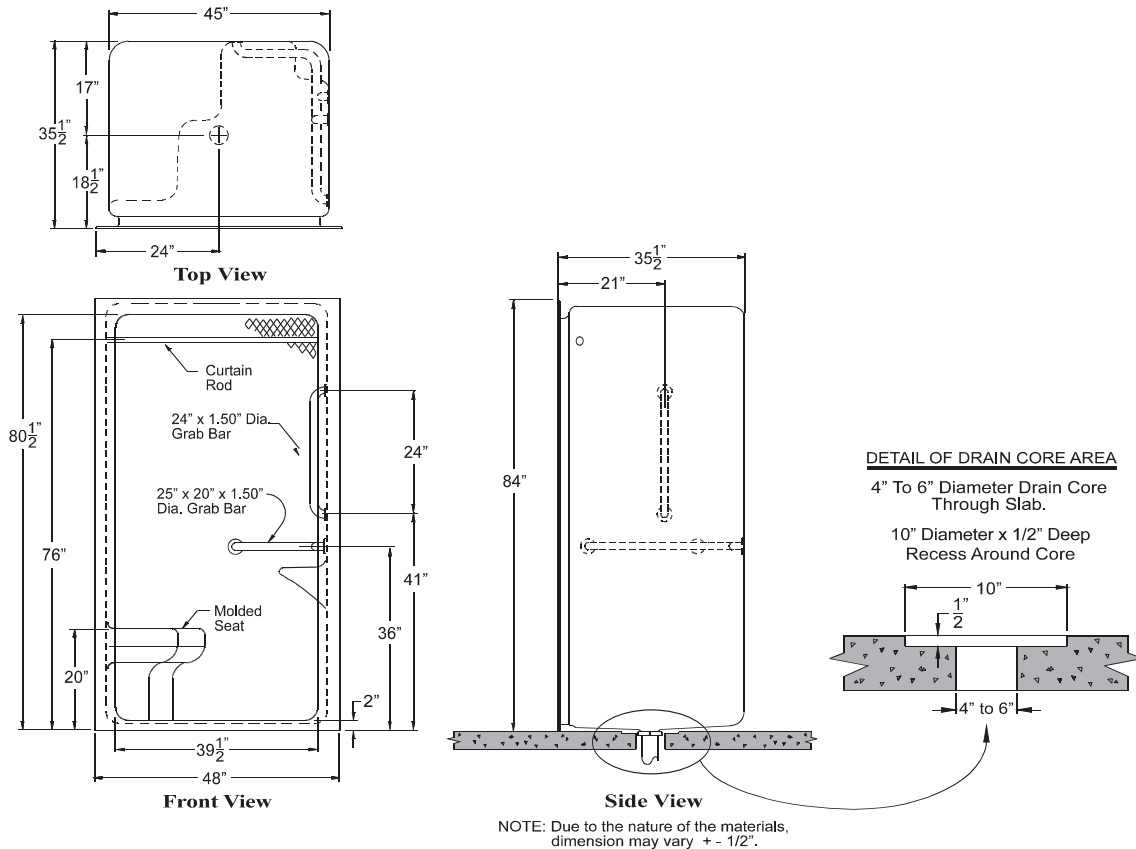
Product Availability
Hamilton Northeast
XL-EXTENDED LEADTIME

Product Availability
Hamilton Mid-America
STD-STANDARD LEADTIME

Product Availability
Hamilton South
STD-STANDARD LEADTIME

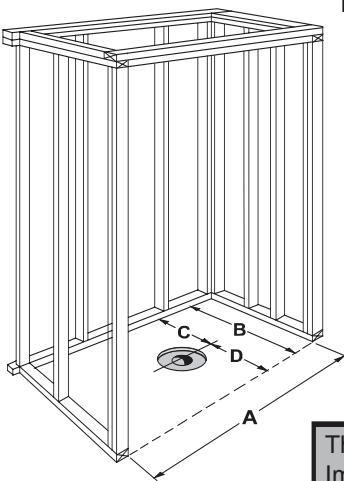
PACKAGE ONE - ACCESSIBLE MODEL H 4836 IBS

No modifications accepted (Packaged units only)



INSTALLATION REQUIREMENTS

Unit is designed to accommodate special needs of accessibility for commercial or residential. Unit requires mud set installation procedures. Unit must be installed per warranty and Praxis guidelines.



FRAMING DIMENSIONS

A	B	C	D
48 1/4"	35 1/2"	17"	18 1/2"

10" Diameter x 1/2" Deep Recess Around Drain Core

STANDARD FEATURES

- Durable acrylic finish
- Low threshold entry
- Integral dome
- Molded seat
- Stainless steel grab bars
- Stainless steel curtain rod

STANDARD CODES

- ANSI Z124.2
- ASTM F463
- ASTM E84
- SBCCI
- NAHB
- UPC

PRIMARY APPLICATIONS

- Public Buildings
- Healthcare
- College Dormitory
- Hospitality
- Schools

Confirm any requested loose accessories desired by circling the items on page one.

Submittal drawing required for Prepackaged model. **NO MODIFICATIONS ACCEPTED.**

All built to order model configurations and submittal drawings must be ordered.

UPC/SKU NUMBERS Left Hand Valve: _____ Right Hand Valve: _____

This model included in the **PRAXIS QUALITY INSTALLATION ASSURANCE PROGRAM.** Important installation procedures **MUST** be followed for the fixture to be granted a warranty.

ATTENTION PLUMBING CONTRACTOR!!! THIS ORDER WILL NOT BE PROCESSED UNLESS THIS DOCUMENT IS SIGNED, DATED AND A CONTACT PHONE NUMBER OF THE PLUMBING CONTRACTOR IS PROVIDED. FOR ORDERS OF FOUR OR MORE UNITS, PARTICIPATION IN THE PRAXIS QUALITY INSTALLATION ASSURANCE PROGRAM IS MANDATORY FOR ACTIVATION OF PRODUCT WARRANTY.

Signed: Date: Contact Phone Number:

Praxis Quality Installation Assurance Program Information: Phone: (800)-759-7744 ext: 29.

Customer Service: (800)-443-7269 Fax: (731)-925-0379

Commercial Showers & Tub Showers

36" Gelcoat Shower



Hamilton
BATHWARE

Accessible Showers OPEN TOP GELCOAT

720- NO MODIFICATIONS TO PACKAGES. FOR BUILT TO ORDER UNIT, SELECT BASE UNIT AND ACCESSORIES.		
PKG ONE-ACCESSIBLE: G 3636 SH		List: \$1565
4" THRESHOLD	SHIM	
HANDED BY VALVE WALL L/R	WHITE POLYESTER GELCOAT FINISH	
Factory Installed Accessories (VALVE/SHOWER KIT NOT INCLUDED IN PKG1)		
S-BAR	18" X 1.5" SMOOTH SS	
S-BAR	18" X 1.5" SMOOTH SS	
SEAT	16" X 14.5" WHITE PADDED FOLD-UP	
THIS UNIT IS DESIGNED TO ACCOMMODATE SPECIAL NEEDS OF ACCESSIBILITY FOR MANY COMMERCIAL OR RESIDENTIAL APPLICATIONS.		
BUILD TO ORDER BASE PLUS ACCESSORIES		
BASE UNIT 1: G 3636 SH		List: \$878
SPECIFY THRESHOLD HEIGHT	SHIM	
Handed by Valve Wall L/R		
Reinforced for Standard Accessories		
BASE UNIT OPTIONAL ACCESSORIES		List:
FINISHES		
STANDARD FINISH- POLYESTER GELCOAT FINISH: WHITE, BONE, BISCUIT		\$0
GRAB BARS		
S-BAR	18" X 1.5" SMOOTH SS	\$109
S-BAR	18" X 1.25" SMOOTH WHITE	\$140
S-BAR	18" X 1.25" PEENED SS	\$118
STANDARD SEATS (FRAME STYLE)		
SEAT	16" X 14.5" WHITE PADDED FOLD-UP	\$470
FACTORY MODIFICATIONS		
MOD	VALVE DRILLING - SPECIFY HOLE SIZE	\$56
MOD	INSTALL STANDARD SYMMONS VALVE PACKAGE	\$633
MOD	INSTALL HANS GROHE VALVE PACKAGE (XLT)	\$501
MOD	INSTALL POWERS VALVE PACKAGE (XLT)	\$656
MOD	4" THRESHOLD	\$111
MOD	INSTALL 30" SLIDE BAR / HS KIT	\$411
MOD	ARMORSHIELD P3 PROTECTION	\$149
MOD	TUBGUARD P3 PROTECTION - STANDARD 36"	\$86
CURTAIN RODS		
ROD	CURTAIN ROD U CUP HOLDER PAIR	\$14
ROD	1" OD 20 GAUGE SS	\$71
ROD	1" OD 20 GAUGE WHITE	\$138
FIELD INSTALLED ACCESSORIES		
LOOSE	CURTAIN PREMIUM 42" X 72" WHITE NYLON WTD	\$118
LOOSE	CURTAIN HEAVY DUTY 42" X 72" WHITE VINYL WTD	\$96
LOOSE	TUBGUARD P3 PRO FIELD INST - STANDARD 36"	\$74
ADDITIONAL ACCESSORIES AND SERVICES MAY BE AVAILABLE UPON REQUEST		



G 3636 SH

PHOTOGRAPH AT LEFT ILLUSTRATES PACKAGE ONE (HANDED BY VALVE WALL LEFT)

Sanitary Grade Polyester Gelcoat Three Year Warranty

Primary Applications:

- Healthcare
- College Dormitory
- Multi-Family
- Assisted Living

720

G 3636 SH

OD: 35.75" x 37.25" x 77.5"

WEIGHT: 150

LOAD FACTOR: 1.06

HANDED BY: VALVE WALL L/R

Special Notes: This unit complies with ANSI Z124.2, ASTM F462, ASTM E84, UPC, SBCCI, NAHB.

Warranty: Gelcoat models have a 3 year limited warranty. Acrylic models have a 5 year limited warranty. Pumps, parts, and accessories 1 year limited warranty. For further details please refer to the complete warranty section.

Due to the nature of the materials, dimensions may vary +/- 1/2".

DRAWING REQUEST MUST BE MADE FOR PACKAGE 2 DRAWING AND BUILT TO ORDER UNITS.



Hamilton Bathware/Praxis Companies, LLC.

435 Industrial Road, Savannah • Tennessee 38372 • Customer Service: 800.326.5489 • Fax: 888.246.0466 • www.hamiltonbathware.com

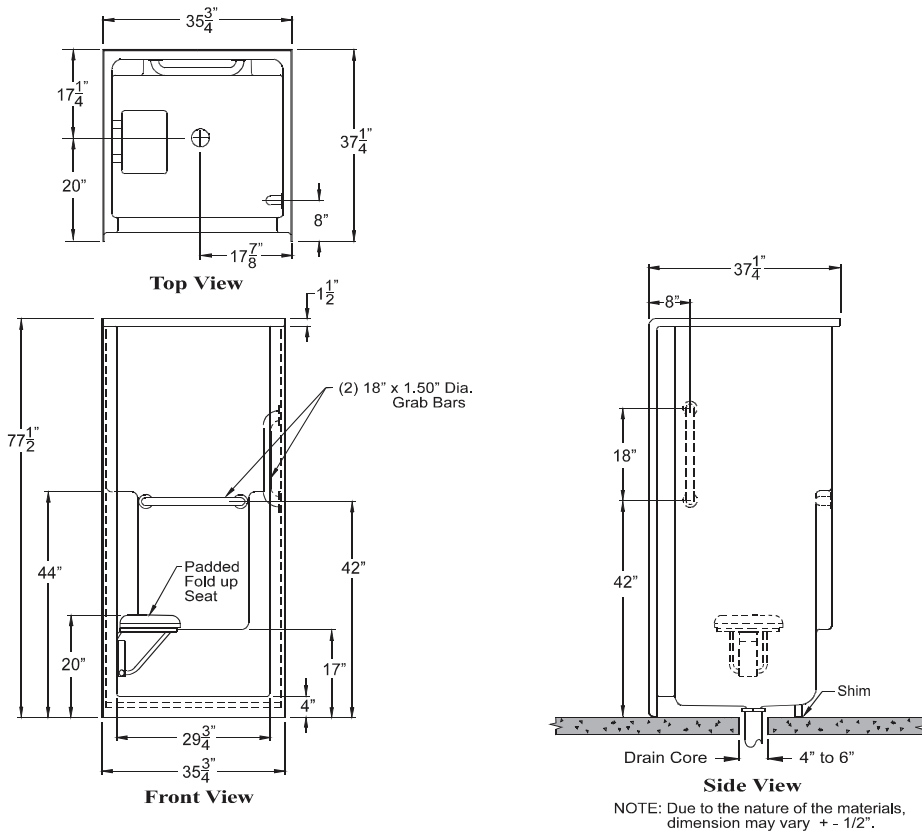
Product Availability
Hamilton Northeast
XL-EXTENDED LEADTIME

Product Availability
Hamilton Mid-America
STD-STANDARD LEADTIME

Product Availability
Hamilton South
STD-STANDARD LEADTIME

PACKAGE ONE - ACCESSIBLE MODEL G 3636 SH

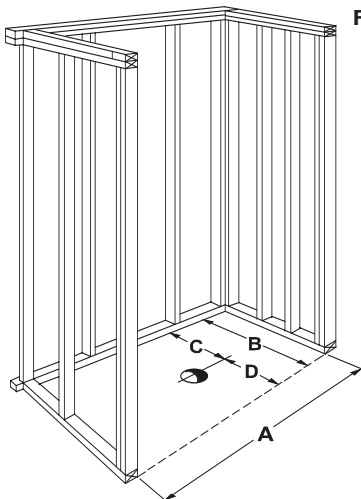
No modifications accepted (Packaged units only)



NOTE: Due to the nature of the materials, dimension may vary +/- 1/2".

INSTALLATION REQUIREMENTS

Unit is designed to accommodate special needs of accessibility for commercial or residential. Unit must be installed per warranty and Praxis guidelines.



FRAMING DIMENSIONS

A	B	C	D
36"	37 1/4"	17 1/4"	20"

STANDARD FEATURES

- High gloss gelcoat finish
- One piece design
- Molded soap dishes
- Padded fold up seat
- Stainless steel grab bars

STANDARD CODES

- ANSI Z124.2
- ASTM F463
- ASTM E84
- SBCCI
- NAHB
- UPC

PRIMARY APPLICATIONS

- Public Buildings
- Healthcare
- College Dormitory
- Hospitality
- Schools

Confirm any requested loose accessories desired by circling the items on page one. Submittal drawing required for Prepackaged model. **NO MODIFICATIONS ACCEPTED.**

All built to order model configurations and submittal drawings must be ordered.

UPC/SKU NUMBERS Left Hand Valve: _____ Right Hand Valve: _____

ATTENTION PLUMBING CONTRACTOR!!! THIS ORDER WILL NOT BE PROCESSED UNLESS THIS DOCUMENT IS SIGNED, DATED AND A CONTACT PHONE NUMBER OF THE PLUMBING CONTRACTOR IS PROVIDED.

Signed: Date: Contact Phone Number:

Customer Service: (800)-443-7269 Fax: (731)-925-0379

Free Manuals Download Website

<http://myh66.com>

<http://usermanuals.us>

<http://www.somanuals.com>

<http://www.4manuals.cc>

<http://www.manual-lib.com>

<http://www.404manual.com>

<http://www.luxmanual.com>

<http://aubethermostatmanual.com>

Golf course search by state

<http://golfingnear.com>

Email search by domain

<http://emailbydomain.com>

Auto manuals search

<http://auto.somanuals.com>

TV manuals search

<http://tv.somanuals.com>