



MPC-5050PLUS

Portable MP3/CD Player
Radio Cassette Recorder
with USB Input



Instruction Manual

Warnings and Precautions

CAUTION: TO PREVENT ELECTRIC SHOCK, MATCH WIDE BLADE OF PLUG TO WIDE SLOT, FULLY INSERT.

WARNING: To reduce the risk of fire or electric shock, do not expose this apparatus to rain or moisture.

AVERTISSEMENT: Pour réduire le risque d'incendie ou de choc électrique, ne pas exposer cet appareil sous la pluie et l'humidité.

CAUTION: Use of any controls or adjustments or performance of procedures other than those herein specified may result in hazardous radiation exposure.

WARNING: Changes or modifications to this unit not expressly approved by the party responsible for compliance could void the user's authority to operate the equipment.

WARNING: Do not place the unit on top of any soft, porous, or sensitive surfaces to avoid damaging the surface. Use a protective barrier between the unit and surface to protect the surface.

WARNING: Use of this unit near fluorescent lighting may cause interference regarding use of the remote. If the unit is displaying erratic behavior move away from any fluorescent lighting, as it may be the cause.

CAUTION: Danger of explosion if battery is incorrectly replaced. Replace only with the same or equivalent type.

PRÉCAUTION: Danger d'explosion si les piles sont remplacées de façon incorrecte. Remplacer les piles seulement par le même type de pile ou l'équivalent.

WARNING: There is a danger of explosion if you attempt to charge standard Alkaline batteries in the unit. Only use rechargeable NiMH batteries.

WARNING: The remote control's button cell battery contains mercury. Do not put in the trash, instead recycle or dispose of as hazardous waste

• **WARNING:** Lithium batteries, like all rechargeable batteries are recyclable and should be recycled or disposed of in normal household waste. Contact your local government for disposal or recycling practices in your area. They should never be incinerated since they might explode.

• **WARNING:** Shock hazard - Do Not Open.

• **AVIS: RISQUE DE CHOC ÉLECTRIQUE - NE PAS OUVRIR**

Mains plug is used as disconnect device and it should remain readily operable during intended use. In order to disconnect the apparatus from the mains completely, the mains plug should be disconnected from the mains socket outlet completely.

La prise du secteur est utilisée pour déconnecter le système.

La prise du secteur ne doit pas être obstruée ou doit être facilement accessible pendant son utilisation. Pour être complètement déconnecté de l'alimentation d'entrée, la prise doit être débranchée du secteur.

Do not mix old and new batteries.

Do not mix alkaline, standard (carbon-zinc), or rechargeable (ni-cad, ni-mh, etc) batteries.

No mezcle baterias viejas y nuevas.

No mezcle baterias alcalinas, estándar (carbono-zinc) o recargables (ni-cad, ni-mh, etc.).



WARNING: TO REDUCE THE RISK OF ELECTRIC SHOCK, DO NOT REMOVE COVER (OR BACK). NO USER-SERVICEABLE PARTS INSIDE. REFER SERVICING TO QUALIFIED SERVICE PERSONNEL.



The lightning flash with arrowhead symbol, within an equilateral triangle, is intended to alert the user to the presence of uninsulated "dangerous voltage" within the product's enclosure that may be of sufficient magnitude to constitute a risk of electric shock to persons.



The exclamation point within an equilateral triangle is intended to alert the user to the presence of important operating and maintenance (servicing) instructions in the literature accompanying the appliance.



This product utilizes a Class 1 laser to read Compact Discs. This laser Compact Disc Player is equipped with safety switches to avoid exposure when the CD door is open and the safety interlocks are defeated. Invisible laser radiation is present when the CD Player's lid is open and the system's interlock has failed or been defeated. It is very important that you avoid direct exposure to the laser beam at all times. Please do not attempt to defeat or bypass the safety switches.

Specification

General

Power supply:	AC 110V / 60Hz DC 9V (Uses 6 pcs of "UM-1" size battery)
Output Power:	1.0 watts x 2 (RMS)
Speaker:	90mm Cone type
Dimensions:	24 x 21 x 13cm (L x D x H)
Weight:	2.4 kgs
Operation Temperature:	+5 °C - +35 °C

General

Frequency:	AM: 520 – 1710 KHz FM: 87.5 – 108 MHz
Antenna:	AM: Built-in Ferrite Bar FM: Antenna Rod

CD

Optical pick-up lens:	3 beam semiconductor laser
-----------------------	----------------------------

Cassette Operation

RECORDING FROM DISCS

1. Select the FUNCTION switch to "CD/MP3" position.
2. Press the OPEN button to open the CD door.
3. Load a CD with label side upward the CD compartment and close the CD door and the player plays all the tracks once (continuous Play).
4. Press the STOP (■) button to stop playing the CD.
5. Insert the cassette into the Cassette Compartment.
6. Press the PAUSE button.
7. Press the RECORD button.
8. Press the play/pause button (►||) to start playing.
9. Release the PAUSE button to begin recording. You can also record audio signal from external microphone.
10. Adjust the VOLUME, if necessary.
11. To stop recording, press STOP/EJECT button. When the tape operate to the end recording will be stop automatically.

RECORDING FROM THE BUILT IN RECORDING MICROPHONE


1. Select the FUNCTION switch to Tape (Radio off) position.
2. Insert a cassette tape into the Cassette Compartment.
3. To avoid feedback between the speaker and the built in recording microphone, set the Volume Control in the minimum position.
4. Press the Record button.
5. Recording can be achieved via built in microphone.
6. To stop recording, press Stop/Eject button. When the tape operate to the end, recording will be stop automatically.

Headphone

Turn the unit volume to minimum before you connect your headphone to headphone jack. Headphones should have a 3.5 mm diameter stereo plug and an impedance of 8-32 ohms. When headphones are connected, the speakers are automatically get disconnected.

NOTE: Extended listening of music at high volume may damage your hearing. It is highly recommended to use at comfortable volume levels.

Important Safety Instructions

1. Read these Instructions.
 2. Keep these Instructions.
 3. Heed all Warnings.
 4. Follow all instructions.
 5. Do not use this apparatus near water.
 6. Clean only with a dry cloth.
 7. Do not block any ventilation openings. Install in accordance with the manufacturer's instructions.
 8. Do not install near any heat sources such as radiators, heat registers, stoves, or other apparatus (including amplifiers) that produce heat.
 9. Do not defeat the safety purpose of the polarized or grounding - type plug. A polarized plug has two blades with one wider than the other. A grounding type plug has two blades and a third grounding prong. The wide blade or the third prong are provided for your safety. When the provided plug does not fit into your outlet, consult an electrician for replacement of the obsolete outlet.
 10. Protect the power cord from being walked on or pinched particularly at plugs, convenience receptacles, and the point where they exit from the apparatus.
 11. Only use attachments/accessories specified by the manufacturer.
-
12.  Use only with a cart, stand, tripod, bracket, or table specified by the manufacturer, or sold with the apparatus. When a cart is used, use caution when moving the cart/apparatus combination to avoid injury from tip-over.
-
13. Unplug this apparatus during lightning storms or when unused for long periods of time.
 14. Refer all servicing to qualified service personnel. Servicing is required when the apparatus has been damaged in any way, such as power-supply cord or plug is damaged, liquid has been spilled or objects have fallen into the apparatus, the apparatus has been exposed to rain or moisture, does not operate normally, or has been dropped.

FCC Warnings

NOTE: This equipment has been tested and found to comply with the limits for a Class B digital device, pursuant to Part 15 of the FCC Rules. These limits are designed to provide reasonable protection against harmful interference in a residential installation. This equipment generates, uses, and can radiate radio frequency energy and, if not installed and used in accordance with the instructions, may cause harmful interference to radio communications. However, there is no guarantee that interference will not occur in a particular installation. If this equipment does cause harmful interference to radio or television reception, which can be determined by turning the equipment off and on, the user is encouraged to try to correct the interference by one or more of the following measures:

- Reorient or relocate the receiving antenna.
- Increase the separation between the equipment and receiver.
- Connect the equipment into an outlet on a circuit different from that to which the receiver is connected.
- Consult the dealer or an experienced radio/TV technician for help.

Additional Warnings

- The apparatus shall not be exposed to dripping or splashing and that no objects filled with liquids, such as vases, shall be placed on apparatus.
L'appareil ne doit pas être exposé aux écoulements ou aux éclaboussures et aucun objet ne contenant de liquide, tel qu'un vase, ne doit être placé sur l'objet.
- Main plug is used as disconnect device and it should remain readily operable during intended use. In order to disconnect the apparatus from the mains completely, the mains plug should be disconnected from the mains socket outlet completely.
La prise du secteur ne doit pas être obstruée ou doit être facilement accessible pendant son utilisation. Pour être complètement déconnecté de l'alimentation d'entrée, la prise doit être débranchée du secteur.
- Battery shall not be exposed to excessive heat such as sunshine, fire or the like.
Les piles ne doivent pas être exposées à de forte chaleur, tel qu'à la lumière du soleil, au feu ou autres choses de semblable.
- Caution marking is located at the rear or back of the apparatus.
Attention marquage est situé à l'arrière ou à l'arrière de l'appareil
- The marking information is located at the rear or back of apparatus.
Les informations de marquage est situé à l'arrière ou à l'arrière de l'appareil.



This symbol indicates that this product incorporates double insulation between hazardous mains voltage and user accessible parts.

Connecting the Power

AC POWER OPERATION

Before connecting the unit to an AC Outlet, check that the operating VOLTAGE of the unit is identical with the VOLTAGE of your Local Power Supply.

Connect the supplied AC Power Cord to the AC Socket at the back of unit.

When the AC Power Cord is plugged into the Batteries are automatically disconnected.

BATTERY OPERATION

The unit cannot be operated by battery when the AC power cord is connected.

Open the battery cover and put the batteries as indicated inside the battery compartment.

BATTERY PRECAUTIONS

Follow these precautions when using batteries in this device:

1. Use only the size and type of batteries specified.
2. Be sure to follow the correct polarity when installing the batteries as indicated in the batteries compartment.
3. Do not mix different types of batteries together (e.g. Alkaline and Carbon-zinc) or old batteries with fresh ones.
4. If the device is not to be used for a long period of time, remove the batteries to prevent damage or injury from possible battery leakage.
5. Do not try to recharge batteries not intended to be recharged; they can overheat and rupture. (Follow battery manufacturer's directions)

INSTALLING THE REMOTE CONTROL BATTERY

1. Remove the battery compartment cover on the back of the remote control, by pushing the tab to the right while removing the cover.
2. Insert a 3V lithium battery (CR2025 or equivalent) following the polarity (+) as shown on the diagram inside the compartment.
3. Replace the battery compartment cover.



Note: The remote control battery normally lasts for about one year, although it depends on how often the remote control is used.

If the remote control is not working properly, replace the battery.

PRECAUTIONS WHEN USING BATTERIES

1. **CAUTION:** Danger of explosion if battery is not inserted correctly. Replace only with the same or equivalent type.
2. Do not mix different types of battery together (e.g. alkaline, rechargeable and standard (carbon zinc) or old batteries with fresh ones.
3. Exhausted batteries must be removed to prevent possible leakage.
4. Dispose of batteries properly in accordance with the environmental regulations in force.

Cassette Operation

PLAYBACK

1. Select the FUNCTION switch to the "TAPE" position.
2. Insert the cassette into the Cassette Compartment.
3. Press the PLAY button to play a tape loaded.
4. Adjust the VOLUME, if necessary.
5. Press the STOP/EJECT button to stop the tape play.
*PAUSE button is used for temporarily stopping the tape during recording or playback.

FAST WINDING

1. To fast forward or rewind, press Fast Forward or Rewind button.
2. Press the STOP/EJECT button to stop fast winding as the tape ended, in order to prevent damage to the cassette tape.

CASSETTE RECORDER OPERATION

RECORDING

Within Recording, no volume adjustment is necessary, recording level is automatically set.

CASSETTE TAPE SELECTION

The quality and condition of the cassette tapes used will have a direct effect on the performance of this unit. Low quality tapes tend to break and stretch, and a broken tape can easily become en-tangled in the drive mechanism, causing major damage. Stretched tapes will run at un-even speeds and will distort anything recorded on them.

- Use only well-known brands of tape.
- Use of C-120 (120 minutes) cassettes is not recommended. The extreme thinness of this tape may result in breakage or other problem.
- Check to ensure there are no loose layers of tape visible through the cassette center windows. Tighten these loose layers with a pencil or ball-point pen before inserting the cassette into the unit.

RECORDING FROM THE BUILT-IN RADIO

1. Select the FUNCTION switch to "Radio" position.
2. Set the Band switch to the desired band position.
3. Turn in desired radio station.
4. Insert the cassette into the Cassette Compartment.
5. Press the PAUSE button.
6. Press the RECORD button.
7. Release the PAUSE button to begin recording.
8. Adjust the VOLOUME, if necessary.
9. To stop recording, press STOP/EJECT button. When the tape operate to the end recording will be stop automatically.

Operation

To Repeat One Track on Music CD or MP3 Disc or USB

1. During CD/MP3 disc or USB playback, press SKIP FORWARD ►► / SKIP BACKWARD ◄◄ buttons to select a track you wish to repeat.
2. Press the MODE button until the "REP" indicator shows on LCD display. The unit will play the desired track repeatedly.
3. To cancel the setting, press the MODE button continuously until the "REP" "REP ALL" "RANDOM" "ALBUM" indicators disappear.

To Repeat the Entire Disc or USB

1. During CD/MP3 disc or USB playback, press the MODE button continuously until the "REP ALL" indicator shows on LCD display. The unit will play all tracks on the disc repeatedly.
2. To cancel the setting, press the MODE button continuously until the "REP" "REP ALL" "RANDOM" "ALBUM" indicators disappear.

To Play Music CD or MP3 Disc or USB Randomly

1. During CD/MP3 disc or USB playback, press the MODE button continuously until the "RANDOM" indicator shows on LCD display. The unit will play all tracks randomly.
2. To cancel the setting, press the MODE button continuously until the "REP" "REP ALL" "RANDOM" "ALBUM" indicators disappear.

To Repeat Album for MP3 Disc or USB

1. During MP3 disc or USB playback, press the MODE button continuously until the "ALBUM" indicator shows display. The unit will play all desired on LCD folder (album) repeatedly.

2. To cancel the setting, press the MODE button continuously until the "REP" "REP ALL" "RANDOM" "ALBUM" indicators disappear.

NOTES:

Repeat album function cannot support normal music CD. This function is for MP3 disc format only.

To Program Specific Tracks (up to 20 Tracks)

1. Load the CD or USB you wish to program.
2. Make sure the CD or USB is in stop mode.
3. Press the MODE button once, "P01" will display on the LCD and "PROG" indicator will blink
4. Press the SKIP FORWARD ►► / SKIP BACKWARD ◄◄ buttons until the desired track number is reached.
5. Press the MODE button to store the selection.
6. Repeat the (4) & (5) steps until you have entered all the tracks.
7. To play the stored sequence, press the PLAY/PAUSE button.
8. After all memory tracks have been played, the CD player will stop automatically.

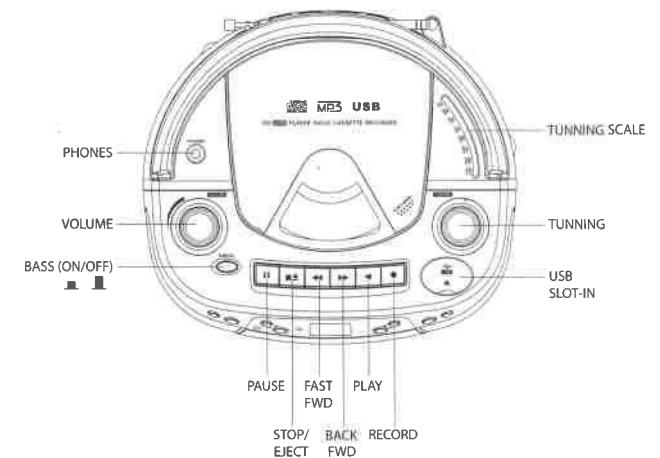
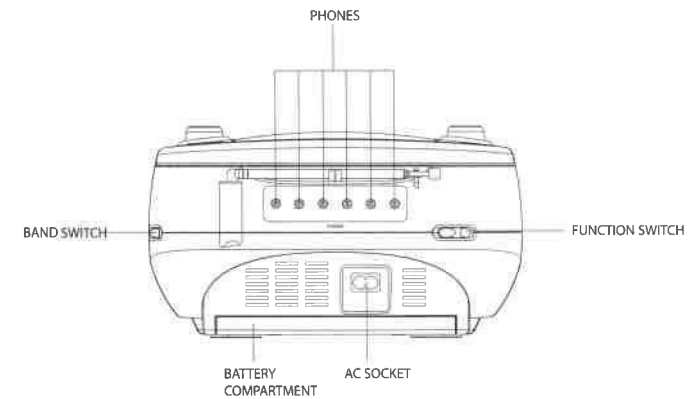
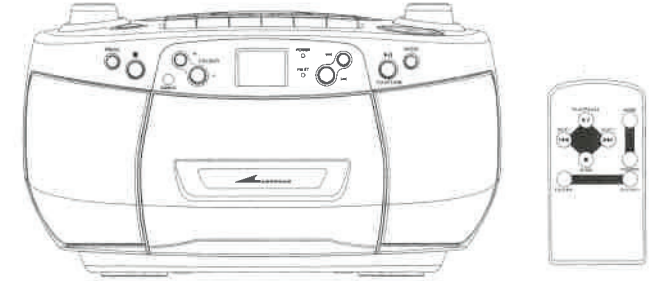
NOTES:

When 20 tracks of CD (or 99 tracks for MP3 disc or USB) have been programmed, the memory is full and "FUL" will appear on the display. If you want to cancel the program memory, press the STOP button once. "REP" "REP ALL" also applies to CD, MP3 disc or USB program playback.

To Repeat Programmed tracks

1. During program play, press Mode button once will repeat the specifically programmed track.
2. Press Mode button again will repeat all the programmed track.
3. Press Stop button to cancel repeat play on programmed tracks.

Location of Controls



Listening to Radio

1. Insert the main plug into a main supply power outlet.
2. Select the FUNCTION switch to RADIO position.
3. Slide the BAND switch to select AM / FM ST band.
4. Rotate the TUNING control knob to search for the desire station.
5. Rotate the VOLUME control knob to the desire volume sound.
6. To turn off the unit power, select the FUNCTION switch to OFF position.

NOTES:

*To have the best **AM reception**, slightly rotate the unit or move the unit to a different area of the room until the best reception is obtained.*

*To obtain the best **FM reception**, fully extend the FM antenna. Avoid close proximity to the speakers and other electrical appliance.*

Listening to Music CD or MP3 Disc

1. Insert the main plug into a main supply power outlet.
2. To open the CD door by lifting the Open/Close area near the CD door. Insert disc into the disc compartment with the title side upwards.
3. Close the CD door, select the FUNCTION switch to CD position, "—" is displayed for few seconds, and total number of tracks will show on the LCD display.
4. Press the PLAY/PAUSE button to play the CD.
5. Press SKIP FORWARD ►► / SKIP BACKWARD ◄◄ buttons to jump to next or previous track.
6. Press and hold SKIP FORWARD ►► / SKIP BACKWARD ◄◄ buttons to search rapidly within a track to locate a specific passage.
7. During CD play, press the PLAY/PAUSE button to pause CD playing and press again to resume.
8. During MP3 playback, press and hold the FOLDER UP button to search for next folder.
9. Press the STOP button to stop the CD playing.
10. After all tracks have been played, the CD player will stop automatically.

NOTES:

Do not open the CD compartment while the disc is playing or rotating. First press the STOP button.

This unit can play Music CD & MP3 Disc format.

Listening to music on USB

1. Insert the mains plug into a power supply outlet.
2. Plug the mass storage USB into the USB socket. Slide the FUNCTION switch to CD/USB position; "—" is displayed for few seconds. Total number of tracks and USB indicator will then show on the LCD display.
3. Press PLAY/PAUSE button to play the track on the USB.
4. Press SKIP FORWARD ►► or SKIP BACKWARD ◄◄ button to search rapidly within a track to locate a specific passage.
5. During USB play, press the PLAY/PAUSE ►|| button to pause USB play and press again to resume.
6. During playback, press the FOLDER+ button to skip to next folder.
7. During playback, press the FOLDER- button to skip to previous folder.
8. Press the STOP button to stop the USB play.
9. After all tracks have been played, the USB player will stop automatically.

NOTES:

a) When CD disc is loaded inside the disc compartment, press and hold the CD--USB button for more than 1 sec. to select USB operation.

b) This unit can play disc of MP3 format.

Free Manuals Download Website

<http://myh66.com>

<http://usermanuals.us>

<http://www.somanuals.com>

<http://www.4manuals.cc>

<http://www.manual-lib.com>

<http://www.404manual.com>

<http://www.luxmanual.com>

<http://aubethermostatmanual.com>

Golf course search by state

<http://golfingnear.com>

Email search by domain

<http://emailbydomain.com>

Auto manuals search

<http://auto.somanuals.com>

TV manuals search

<http://tv.somanuals.com>