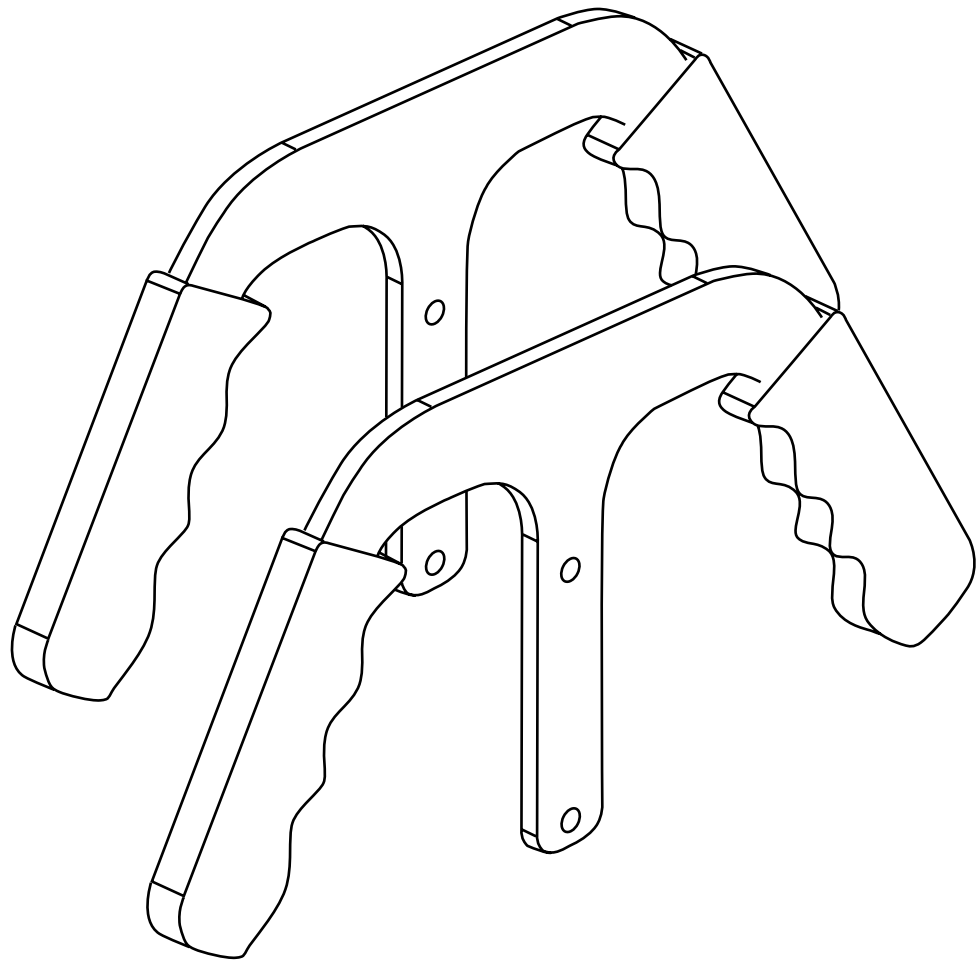


KATIE JIG®

appendix C

Router Table Handles



HAMPTON



HOUSE®

Appendix C - Router Table Handles

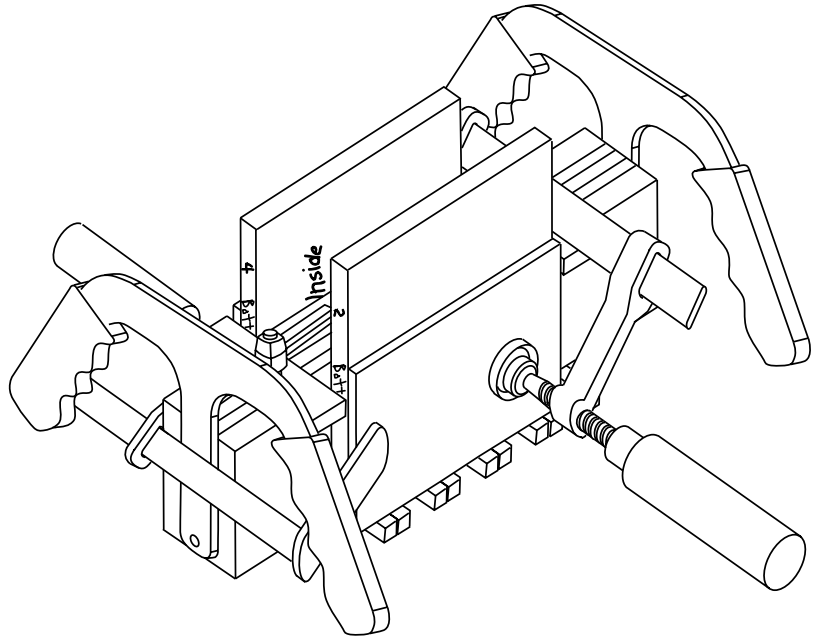
Follow the safety and general instructions for using the KATIE JIG™ System except as indicated below.

Attaching Router Table Handles to the KATIE JIG™ System



Attach handles to ends of KATIE JIG™ System fixture using screws provided so that the guide/tuning forks will be down. Securely clamp the boards to the KATIE JIG® System using 2 clamps. Placement of these clamps should be done to best accommodate the boards.

CAUTION: Make sure the clamps do not interfere with the router bits.

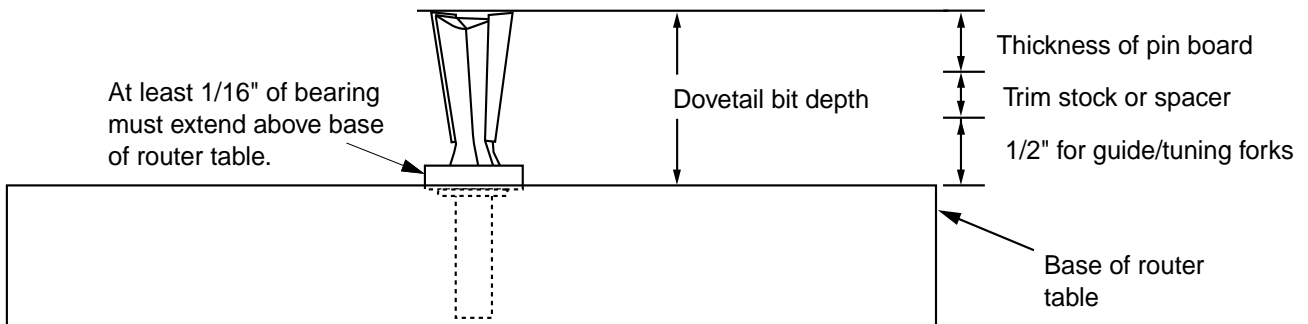


Prepare Router Table and Set Height of Bits

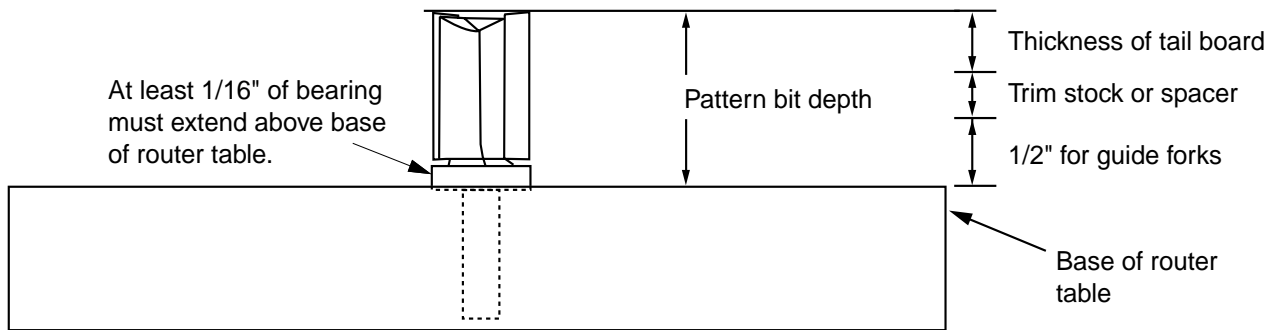


For best results, use two routers mounted in router table.

Determine height for dovetail bit.



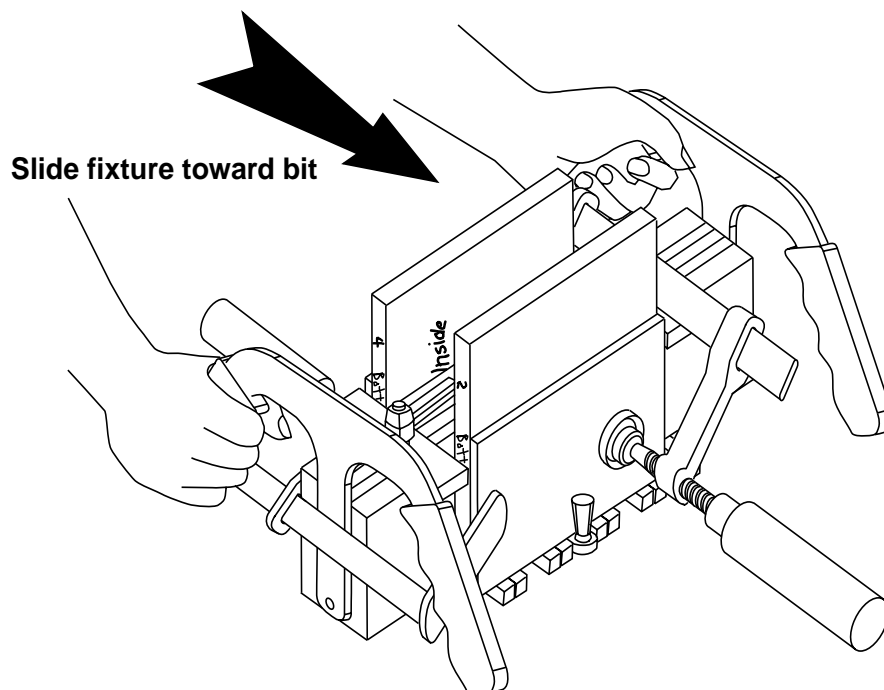
Determine height for pattern bit.



Routing Pins and Tails

Grasp the router table handles on the side opposite the board that you wish to route, and slide the KATIE JIG™ System toward the bit. Carefully route the areas between each of the guide/tuning forks.

CAUTION: DO NOT lift the KATIE JIG™ System while the router is running!



Free Manuals Download Website

<http://myh66.com>

<http://usermanuals.us>

<http://www.somanuals.com>

<http://www.4manuals.cc>

<http://www.manual-lib.com>

<http://www.404manual.com>

<http://www.luxmanual.com>

<http://aubethermostatmanual.com>

Golf course search by state

<http://golfingnear.com>

Email search by domain

<http://emailbydomain.com>

Auto manuals search

<http://auto.somanuals.com>

TV manuals search

<http://tv.somanuals.com>