

CENTRAL PNEUMATIC®
MINI AIR COMPRESSOR
250 PSI
Model 04077

**ASSEMBLY and OPERATING
INSTRUCTIONS**



3491 Mission Oaks Blvd., Camarillo, CA 93011
Visit our Web site at <http://www.harborfreight.com>

Copyright © 2003 by Harbor Freight Tools®. All rights reserved. No portion of this manual or any artwork contained herein may be reproduced in any shape or form without the express written consent of Harbor Freight Tools.

For technical questions and replacement parts, please call 1-800-444-3353

Specifications

Power Requirements	12 VDC
Maximum Pressure	250 PSI
Pressure Gauge	0-300 PSI, 0-20 Bars
Overall Dimensions	5-1/2" x 2-7/8" W x 4-7/8" H
Power Cord Length	10 Feet (including switch)
Hose Length	18" (with valve adapter)
Includes two nozzle adapters, sport needle, built in cigarette lighter plug storage slot.	

Save This Manual

You will need the manual for the safety warnings and precautions, assembly instructions, operating and maintenance procedures, parts list and diagram. Keep your invoice with this manual. Write the invoice number on the inside of the front cover. Keep the manual and invoice in a safe and dry place for future reference.

Safety Warnings and Precautions

WARNING: When using tool, basic safety precautions should always be followed to reduce the risk of personal injury and damage to equipment.

Read all instructions before using this tool!

1. **Keep work area clean.** Cluttered areas invite injuries.
2. **Observe work area conditions.** Do not use machines or power tools in damp or wet locations. Don't expose to rain. Keep work area well lighted. Do not use electrically powered tools in the presence of flammable gases or liquids.
3. **Keep children away.** Children must never be allowed in the work area. Do not let them handle machines, tools, extension cords, or air hoses.
4. **Store idle equipment.** When not in use, tools must be stored in a dry location to inhibit rust. Always lock up tools and keep out of reach of children.
5. **Use the right tool for the job.** Do not attempt to force a small tool or attachment to do the work of a larger industrial tool. There are certain applications for which this tool was designed. It will do the job better and more safely at the rate for which it was intended. Do not modify this tool and do not use this tool for a purpose for which it was not intended.
6. **Dress properly.** Do not wear loose clothing or jewelry as they can be caught in moving parts. Protective, electrically non-conductive clothes and non-skid footwear are recommended when working. Wear restrictive hair covering to contain long hair.
7. **Use eye and ear protection.** Always wear ANSI approved impact safety goggles.
8. **Do not overreach.** Keep proper footing and balance at all times. Do not reach over or across running machines or air hoses.

9. **Maintain tools with care.** Keep tools clean for better and safer performance. Follow instructions for lubricating and changing accessories. Inspect tool cords and air hoses periodically and, if damaged, have them repaired by an authorized technician. The handles must be kept clean, dry, and free from oil and grease at all times.
10. **Disconnect Compressor.** Disconnect cigarette lighter plug in when not in use.
11. **Avoid unintentional starting.** Be sure the thumbwheel switch is in the Off position when not in use and before plugging in.
12. **Stay alert.** Watch what you are doing, use common sense. Do not operate any tool when you are tired.
13. **Check for damaged parts.** Before using any tool, any part that appears damaged should be carefully checked to determine that it will operate properly and perform its intended function. Check for alignment and binding of moving parts; any broken parts or mounting fixtures; and any other condition that may affect proper operation. Any part that is damaged should be properly repaired or replaced by a qualified technician. Do not use the tool if any switch does not turn On and Off properly.
14. **Guard against electric shock.** Prevent body contact with grounded surfaces such as pipes, radiators, ranges, and refrigerator enclosures.
14. **Replacement parts and accessories.** When servicing, use only identical replacement parts. Use of any other parts will void the warranty. Only use accessories intended for use with this tool. Approved accessories are available from Harbor Freight Tools.
16. **Do not operate tool is under the influence of alcohol or drugs.** Read warning labels if taking prescription medicine to determine if your judgement or reflexes are impaired while taking drugs. If there is any doubt, do not operate the Compressor.
17. **Maintenance.** For your safety, maintenance should be performed regularly by a qualified technician.

Note: Performance of the compressor (if powered by line voltage) may vary depending on variations in local line voltage.

Warning: The warnings, cautions, and instructions discussed in this instruction manual cannot cover all possible conditions and situations that may occur. It must be understood by the operator that common sense and caution are factors which cannot be built into this product, but must be supplied by the operator.

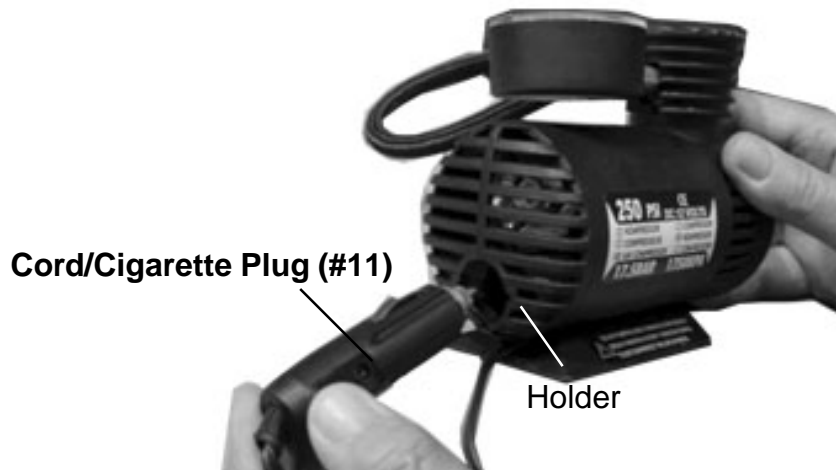
Unpacking

When unpacking, check to make sure the parts listed on page 5 are included. If any parts are missing or broken, please call Harbor Freight Tools at the number on the cover of this manual as soon as possible.

Operation

1. Remove the Power **Cord/Cigarette Plug (#11)** from the recessed holder on the unit. See **FIGURE 1**.

FIGURE 1



EXPLOSION DANGER

Before inflating tires or toys check the manufacturer's recommended air pressure. Do not exceed that pressure. Over inflation may result in an explosion.

2. Check to make sure the Thumbwheel Switch on the power cord is in the "off" position.
3. Situate the Compressor outside of the car.
3. Plug the **Cord/Cigarette Plug (#11)** into the 12 Volt receptacle (or cigarette lighter) in the car. If you run your car to charge the battery while using this Compressor, never run the car in an enclosure of any kind. Your car emits Carbon Monoxide, an odorless, colorless gas, which is extremely lethal.

Note: When attaching the **Air Outlet (#6)** to a tire or adapter, lift the Valve Lock (see Assembly Drawing on page 6. Then attach the hose to the tire or adapter, and then lock down the Valve Lock. To remove it from the tire or adapter, lift the Valve Lock and remove.

4. If you are going to fill a standard tire, then no adapter is needed as the **Air Outlet (#6)** end has a universal tire adapter.
5. To fill a standard athletic ball, thread on the Sports Needle accessory.
6. When using the unit as an air blower, thread on the appropriate sized adapter (two included). See **FIGURE 2**

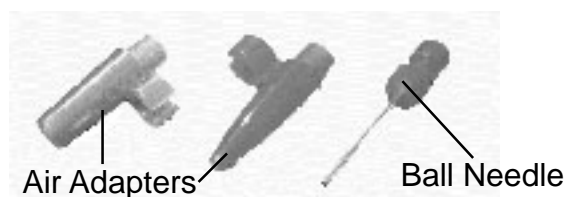
Warning! Make sure that no one is touching the Compressor when it is in operation. The Compressor will become very hot; avoid being burned.

7. Attach the Compressor to the item you wish you inflate as explained in the **Note** above.
8. Turn on the Compressor by sliding the Thumbwheel to the "on" position.

Warning!: Do not allow the Compressor to run for more than 15 minutes at a time. After 15 minutes, allow it to cool for 5 minutes, and then you may resume inflation. Failure to do so may cause the unit to overheat and burn out.

9. When you are finished, turn off the Compressor by sliding the Thumbwheel to the "off" position. Lift up on the Valve Lock and unplug the unit. Store the **Cord/Cigarette Plug (#11)** in the recessed holder in the unit.

FIGURE 2



Parts List

Part No.	Description
1	Hull
2	Cylinder Head
3	Gauge
4	Plug
5	Rubber Hose
6	Air Outlet
7	Seal
8	Motor
9	Shaft
10	Gasket
11	Power Cord/Cigarette Plug

Maintenance

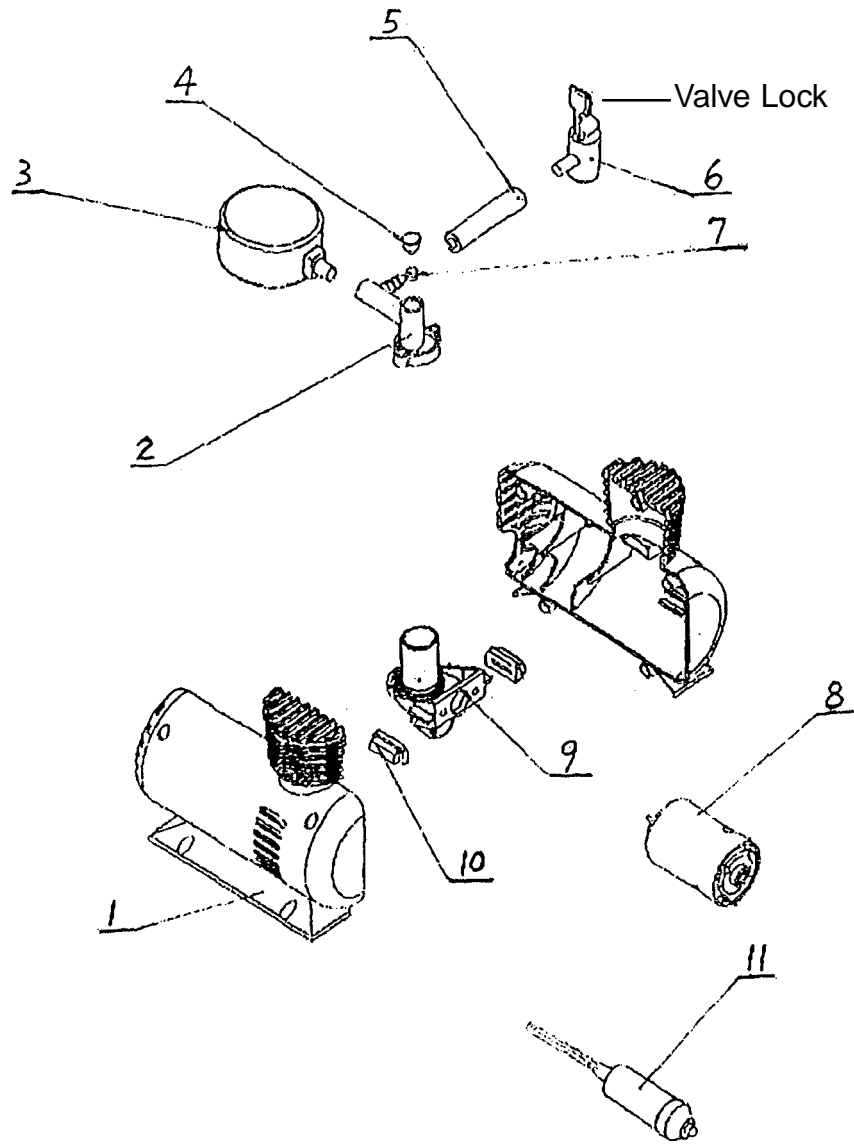
1. Visually inspect the unit before each use to make sure the hoses are properly attached and the hoses and the power cord are not frayed or torn.
2. Check that the cigarette plug is clean of dirt, grease, or debris.
3. Make sure the universal outlet adapter is clean of dirt, grease, or debris.

PLEASE READ THE FOLLOWING CAREFULLY

THE MANUFACTURER AND/OR DISTRIBUTOR HAS PROVIDED THE PARTS DIAGRAM IN THIS MANUAL AS A REFERENCE TOOL ONLY. NEITHER THE MANUFACTURER NOR DISTRIBUTOR MAKES ANY REPRESENTATION OR WARRANTY OF ANY KIND TO THE BUYER THAT HE OR SHE IS QUALIFIED TO MAKE ANY REPAIRS TO THE PRODUCT OR THAT HE OR SHE IS QUALIFIED TO REPLACE ANY PARTS OF THE PRODUCT. IN FACT, THE MANUFACTURER AND/OR DISTRIBUTOR EXPRESSLY STATES THAT ALL REPAIRS AND PARTS REPLACEMENTS SHOULD BE UNDERTAKEN BY CERTIFIED AND LICENSED TECHNICIANS AND NOT BY THE BUYER. THE BUYER ASSUMES ALL RISK AND LIABILITY ARISING OUT OF HIS OR HER REPAIRS TO THE ORIGINAL PRODUCT OR REPLACEMENT PARTS THERETO, OR ARISING OUT OF HIS OR HER INSTALLATION OF REPLACEMENT PARTS THERETO.

NOTE: Some parts are listed and shown for illustration purposes only and are not available individually as replacement parts.

Assembly Drawing



Free Manuals Download Website

<http://myh66.com>

<http://usermanuals.us>

<http://www.somanuals.com>

<http://www.4manuals.cc>

<http://www.manual-lib.com>

<http://www.404manual.com>

<http://www.luxmanual.com>

<http://aubethermostatmanual.com>

Golf course search by state

<http://golfingnear.com>

Email search by domain

<http://emailbydomain.com>

Auto manuals search

<http://auto.somanuals.com>

TV manuals search

<http://tv.somanuals.com>