

# PROPANE TORCH WITH 3 BURNERS

**Model 91899**

## ASSEMBLY AND OPERATING INSTRUCTIONS



3491 Mission Oaks Blvd., Camarillo, CA 93011  
Visit our Web site at <http://www.harborfreight.com>

Copyright© 2004 by Harbor Freight Tools®. All rights reserved. No portion of this manual or any artwork contained herein may be reproduced in any shape or form without the express written consent of Harbor Freight Tools.

**For technical questions and replacement parts, please call 1-800-444-3353.**

## Specifications

Fuel Compatibility	LP Gas (Standard Propane)
Number of Burners	3
Hose Working Pressure	350 PSI
Hose Length	44"
Gas Bottle Type	Camping Propane Bottle (not included)
Bottle Thread Mounting	Standard without Ring Seal (1"-20 TPI)
Tips: Flat Flame Tip, Pipe Heating Tip, Soldering Tip	

## Save This Manual

You will need the manual for the safety warnings and precautions, assembly instructions, operating and maintenance procedures, parts list and diagram. Keep your invoice with this manual. Write the invoice number on the inside of the front cover. Keep the manual and invoice in a safe and dry place for future reference.

## Safety Warnings and Precautions

**WARNING: When using tool, basic safety precautions should always be followed to reduce the risk of personal injury and damage to equipment.**

**Read all instructions before using this tool!**

1. **Keep work area clean.** Cluttered areas invite injuries.
2. **Observe work area conditions.** Do not use tools in damp or wet locations. Don't expose to rain. Keep work area well lighted.
3. **Keep children away.** Children must never be allowed in the work area. Do not let them handle the Torch.
4. **Store idle equipment.** When not in use, tools must be stored in a dry location to inhibit rust. Always lock up tools and keep out of reach of children.
5. **Use the right tool for the job.** Do not attempt to force a small tool or attachment to do the work of a larger industrial tool. There are certain applications for which this tool was designed. It will do the job better and more safely at the rate for which it was intended. Do not modify this tool and do not use this tool for a purpose for which it was not intended.
6. **Dress properly.** Do not wear loose clothing or jewelry as they can be caught in moving parts. Protective, electrically nonconductive clothes and nonskid footwear are recommended when working. Wear restrictive hair covering to contain long hair.
7. **Use eye protection.** Always wear ANSI approved impact safety goggles and heat-resistant work gloves. Wear a full face shield if you are producing metal filings or wood chips. Wear an ANSI approved dust mask or respirator when working around metal, wood, and chemical dusts and mists.
8. **Do not overreach.** Keep proper footing and balance at all times. Do not reach over or across hot torches or work pieces.

9. **Maintain tools with care.** Keep tools clean for better and safer performance. Follow instructions for lubricating and changing accessories. Inspect tool hoses periodically, and if damaged, have them repaired by an authorized technician. The handle must be kept clean, dry, and free from oil and grease at all times.
10. **Disconnect fuel.** Disconnect from Propane tank when not in use.
11. **Stay alert.** Watch what you are doing, use common sense. Do not operate any tool when you are tired.
12. **Check for damaged parts.** Before using any tool, any part that appears damaged should be carefully checked to determine that it will operate properly and perform its intended function. Check for alignment and binding of moving parts; any broken parts or mounting fixtures; and any other condition that may affect proper operation. Any part that is damaged should be properly repaired or replaced by a qualified technician.
13. **Replacement parts and accessories.** When servicing, use only identical replacement parts. Use of any other parts will void the warranty. Only use accessories intended for use with this tool. Approved accessories are available from Harbor Freight Tools.
14. **Do not operate tool if under the influence of alcohol or drugs.** Read warning labels if taking prescription medicine to determine if your judgment or reflexes are impaired while taking drugs. If there is any doubt, do not operate the tool.
15. **Maintenance.** For your safety, service and repairs should be performed regularly only by a qualified technician. Maintenance should be performed regularly.

**Warning:** The warnings, cautions, and instructions discussed in this instruction manual cannot cover all possible conditions and situations that may occur. It must be understood by the operator that common sense and caution are factors which cannot be built into this product, but must be supplied by the operator.


**WARNING:** This product, when used with propane for soldering and similar applications, produces chemicals known to the State of California to cause cancer and birth defects (or other reproductive harm).  
(California Health & Safety Code § 25249.5 *et seq.*)


**WARNING:** The brass components of this product contain lead, a chemical known to the State of California to cause birth defects (or other reproductive harm). (California Health & Safety code § 25249.5, *et seq.*)


## Unpacking

When unpacking, check to make sure the parts listed on page 7 are included. If any parts are missing or broken, please call Harbor Freight Tools at the number on the cover of this manual as soon as possible.


## Specific Product Warnings and Precautions

1.  The Propane Torch is for outdoor use only. Use the Propane Torch only in well ventilated areas. Keep Propane Torch away from structures and flammable materials. Inhalation of propane fumes may result in **CARBON MONOXIDE POISONING, INJURY AND/OR DEATH**.

2.  **Risk of EXPLOSION**  
Propane fuel is **EXTREMELY FLAMMABLE** and under **PRESSURE**.
- Contact local solid waste authorities for instructions on correct disposal or recycling of propane cylinders.** Never puncture or set fire to any empty propane cylinder.
  - Never use a propane tank if it shows signs of:** dents, corrosion, gouges, bulges, fire damage, leakage, excessive rust, or any other form of visual external damage.
  - Store propane cylinders properly:**
    - Store cylinders in a well ventilated area marked for cylinder storage only.
    - Store propane cylinders away from oxidizing or corrosive gas cylinders.
    - Store empty cylinders away from full cylinders, and label them clearly.
    - Do not store propane fuel in temperatures exceeding 120° F.

- Risk of FIRE**
3.  **Before each use, always check all propane connections and joints to make sure no leaks are present.** Also check hoses for cracks or excessive wear. Always replace a damaged hose.
- If you notice the odor of propane while using the Torch, immediately shut off the propane tank fueling the Torch.** Extinguish all open flames and carefully check for leaks by using soapy water. Never use a flame to check for leaks. If the odor continues, do not use the Torch and move the propane tank outside, if it is not already outside. Call your local propane supplier for assistance.
  - Make sure the Hand Wheel (9) is turned to its “OFF” position and the propane tank (not included) is removed from the Cylinder Connection (3) when the Torch is not in use.**
  - Never use gasoline, kerosene, or other highly volatile fluids as a starter as they can explode.**
  - Never leave the Propane Torch unattended once it is lit.**
  - Keep a fire extinguisher handy.** Always keep a commercial fire extinguisher nearby the Propane Torch in case of accidental fire.
  - Do not clean the Propane Torch with combustible or corrosive cleaners.**
  - Do not paint any part of the Propane Torch.**
  - Never smoke while using the Propane Torch.** Make sure all surrounding flames are extinguished.
  - Do not use the product with any fuels other than propane.**

## Specific Product Warnings and Precautions (continued)

4.  **All tips and burners get VERY HOT during use.**
  - a. **Do not aim the Propane Torch at yourself, others, or animals.** Keep spectators clear of the work area.
  - b. **Always allow sufficient time for the Propane Torch to completely cool down before storing.**
5. **Do not store flammable liquids or materials in the area surrounding the Propane Torch.**
6. **Maintain a firm grip with both hands while using the Propane Torch.**
7. **Never reach across the Propane Torch while in use.** Be aware that parts of the Propane Torch become very hot during use.
8. **Maintain labels and nameplates on the Propane Torch.** These carry important information. If unreadable or missing, contact Harbor Freight Tools for a replacement.

## Assembly

Refer to the Assembly Drawing on page 8.

1. The Hand Wheel (9) on the Propane Torch controls the gas flow. Turn the Hand Wheel (9) **clockwise**, all the way, into the “OFF” position.
2. Choose the appropriate Tip for your application (Flat Flame Tip (13), Hose Tip (15), Soldering Tip (16)). Then, screw the Tip onto the Nozzle Holder (30).
3. Attach the Cylinder Connection (3) to the outlet valve on the Propane Cylinder (not included). Read and follow all of the “safety” and “usage” instructions that came with the Propane Cylinder (not included).

## Operation

1. To light the Propane Torch, turn the Hand Wheel (9) **counterclockwise** to the Torch's "ON" position. Turn the Small Hand Wheel (24) **clockwise** to the Torch's "OFF" position. Insert the lit end of a long handled, fireplace/barbecue grill lighter (not included) into end of the Tip at the end of the Torch. Turn the Small Hand Wheel (24) **counterclockwise** to the Torch's "ON" position. Adjust the flame to the desired level by turning the Small Hand Wheel (24).

**Note:** The lit Tips should operate with a blue flame, with a small yellow tip. If the flame is sputtering or popping, adjust the flame with the Small Hand Wheel (24).

2. To extinguish the flame, turn the Small Hand Wheel (24) **clockwise** "OFF" until closed. Also, close the Hand Wheel (9). Disconnect the Cylinder Connection (3) from the Propane Cylinder (not included).



**Warning!!** The Tip end of the Propane Torch will remain very hot after use. Allow it cool before changing or removing nozzles, or storage.

3. Store the Propane Torch and Propane Cylinder (not included) in a safe place, out of reach of children.

## Maintenance

1. Before each use, inspect the general condition of the Propane Torch. Check for loose bolts and nuts, misalignment or binding of moving parts, loose connections and joints, cracked, bent, or broken parts, excessively worn Hose (33), and any other condition that may affect its safe operation. If a problem occurs, have the problem corrected before further use. **Do not use damaged equipment.**
2. When cleaning, use only water and a mild detergent. Do not use cleaners that are combustible or corrosive.
3. When storing, always allow sufficient time for the Propane Torch to completely cool down. Do not store flammable liquids or materials in the area surrounding the Propane Torch. Make sure the Hand Wheel (9) is in its "OFF" position and that the Torch is disconnected from the Propane Cylinder (not included).

## Parts List

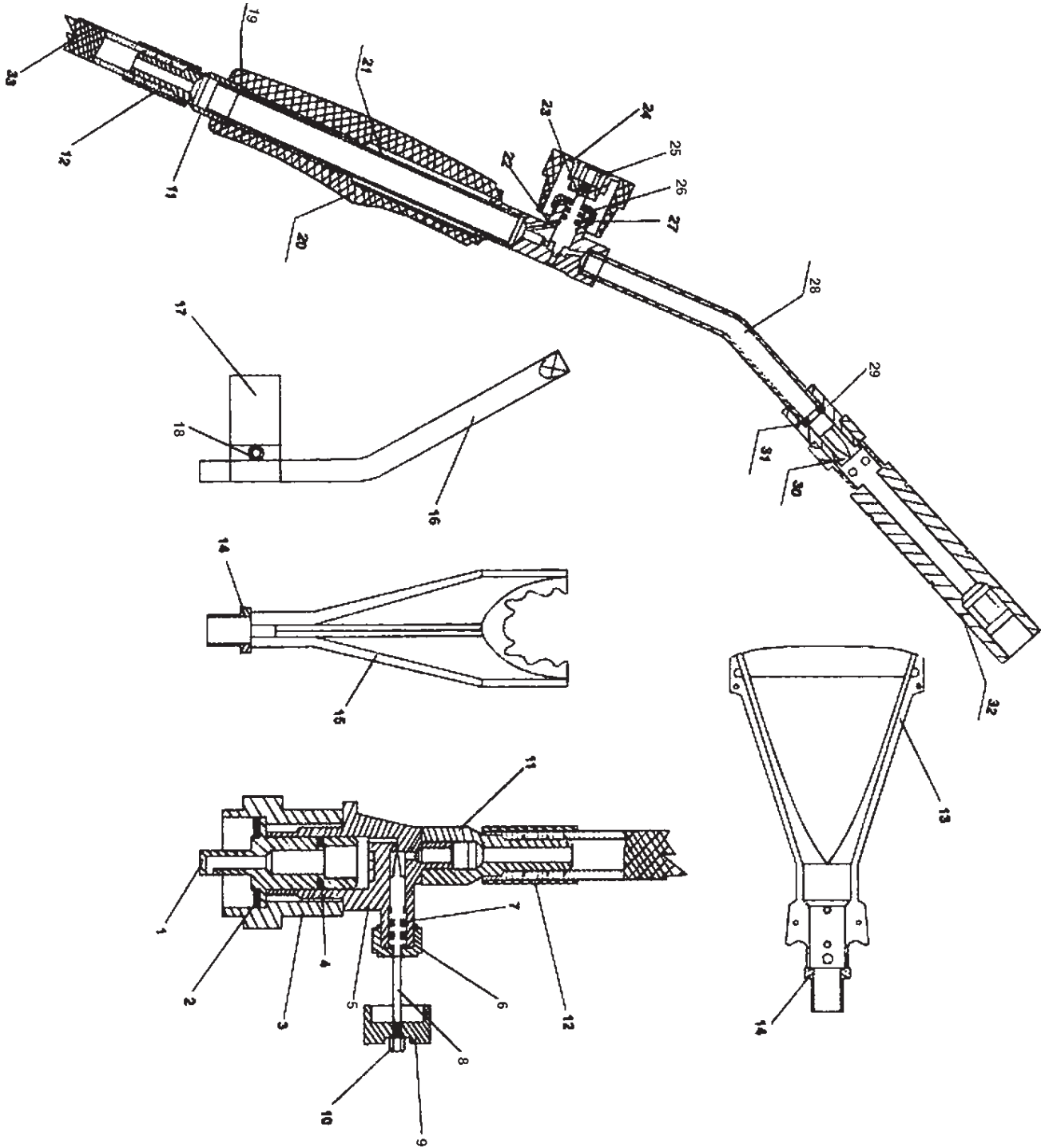
Part No.	Description
1	Gas Inlet
2	Gasket
3	Cylinder Connection
4	O-ring
5	Body Tap
6	Nut Key/Needle Stop
7	O-ring
8	Needle
9	Hand Wheel
10	Nut M4
11	Hose Holder
12	Clip
13	Flat Flame Tip
14	Connector
15	Hose Tip
16	Soldering Tip
17	Clamp
18	Screw/ Nut M4
19	Washer
20	Handle
21	Tube
22	Body Tap
23	Needle
24	Small Hand Wheel
25	Nut M4
26	Nut Key/Needle Stop
27	O-ring
28	Extension Bar
29	Nozzle Gasket
30	Nozzle Holder
31	Nozzle
32	Gas/Air Mixer
33	Hose

**PLEASE READ THE FOLLOWING CAREFULLY**

THE MANUFACTURER AND/OR DISTRIBUTOR HAS PROVIDED THE PARTS DIAGRAM IN THIS MANUAL AS A REFERENCE TOOL ONLY. NEITHER THE MANUFACTURER NOR DISTRIBUTOR MAKES ANY REPRESENTATION OR WARRANTY OF ANY KIND TO THE BUYER THAT HE OR SHE IS QUALIFIED TO MAKE ANY REPAIRS TO THE PRODUCT OR THAT HE OR SHE IS QUALIFIED TO REPLACE ANY PARTS OF THE PRODUCT. IN FACT, THE MANUFACTURER AND/OR DISTRIBUTOR EXPRESSLY STATES THAT ALL REPAIRS AND PARTS REPLACEMENTS SHOULD BE UNDERTAKEN BY CERTIFIED AND LICENSED TECHNICIANS AND NOT BY THE BUYER. THE BUYER ASSUMES ALL RISK AND LIABILITY ARISING OUT OF HIS OR HER REPAIRS TO THE ORIGINAL PRODUCT OR REPLACEMENT PARTS THERETO, OR ARISING OUT OF HIS OR HER INSTALLATION OF REPLACEMENT PARTS THERETO.

**NOTE:** Some parts are listed and shown for illustration purposes only and are not available individually as replacement parts.

# Assembly Drawing





## Free Manuals Download Website

<http://myh66.com>

<http://usermanuals.us>

<http://www.somanuals.com>

<http://www.4manuals.cc>

<http://www.manual-lib.com>

<http://www.404manual.com>

<http://www.luxmanual.com>

<http://aubethermostatmanual.com>

Golf course search by state

<http://golfingnear.com>

Email search by domain

<http://emailbydomain.com>

Auto manuals search

<http://auto.somanuals.com>

TV manuals search

<http://tv.somanuals.com>