

GEN-TECHTM

6" PVC DIAL CALIPER

Model 92953

OPERATING INFORMATION



3491 Mission Oaks Blvd., Camarillo, CA 93011

Visit our Web site at <http://www.harborfreight.com>

Copyright© 2005 by Harbor Freight Tools®. All rights reserved. No portion of this manual or any artwork contained herein may be reproduced in any shape or form without the express written consent of Harbor Freight Tools.

For technical questions please call 1-800-444-3353

SPECIFICATIONS

ITEM	DESCRIPTION
Construction	PVC
Overall Dimensions	9-3/16" L x 2-15/16" W x .605" T
Beam Scale	6" in .100" increments; 130 mm in 10 mm increments
Dial Scale	1/128" per line
Accuracy	±.001"

SAVE THIS MANUAL

You will need the manual for the safety warnings and precautions, assembly instructions, operating and maintenance procedures, parts list and diagram. Keep your invoice with this manual. Write the invoice number on the inside of the front cover. Keep the manual and invoice in a safe and dry place for future reference.

GENERAL SAFETY WARNINGS AND PRECAUTIONS

1. **KEEP PRODUCT USAGE AREA CLEAN.** Cluttered areas invite injuries.
2. **KEEP CHILDREN AWAY FROM PRODUCT USAGE AREA.** Do not allow children to handle this product.
3. **USE EYE PROTECTION.** Wear ANSI approved safety impact eye glasses. ANSI approved safety impact eye glasses are available from Harbor Freight Tools.
4. **CHECK FOR DAMAGED PARTS.** Before using this product, carefully check that it will operate properly and perform its intended function. Check for damaged parts and any other conditions that may affect its operation. Replace or repair damaged or worn parts immediately.
5. **REPLACEMENT PARTS AND ACCESSORIES.** When servicing, use only identical replacement parts. Only use accessories intended for use with this product. Approved accessories are available from Harbor Freight Tools.
6. **MAINTENANCE:** Service and maintenance should be performed regularly by a qualified technician.
7. **USE THE RIGHT PRODUCT FOR THE RIGHT JOB.** There are certain applications for which this product was designed. Do not use a smaller tool to do the work required by a larger industrial size tool. Do not use this product for a purpose for which it was not intended.
8. **KEEP THE CALIPER FREE FROM WATER, OIL, SOLVENTS, ETCETERA.**

9. **DO NOT APPLY FORCE OR A SHOCK TO THE CALIPER.**
10. **DO NOT DISASSEMBLE THE CALIPER.**

UNPACKING

When unpacking, check to make sure that the product is intact and undamaged. If any parts are missing or broken, please call Harbor Freight Tools at the number shown on the cover of this manual as soon as possible.

OPERATING INSTRUCTIONS

To Prepare The Caliper For Use:

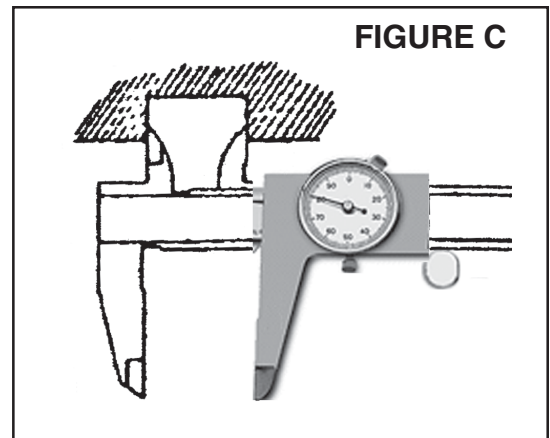
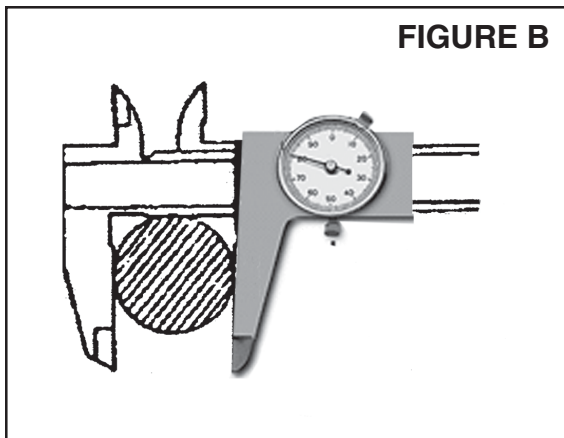
1. Make sure the upper and lower Outside Diameter Jaw surfaces are clean.
2. Close the Outside Diameter Jaws completely but gently.
4. At this point, the Slide Scale Measurement Point should read "0".
5. Set the Dial by turning the Dial Adjustment until the Dial Needle points to "0".
6. *The Caliper is now ready for use.*

To Read The Scale And Dial:

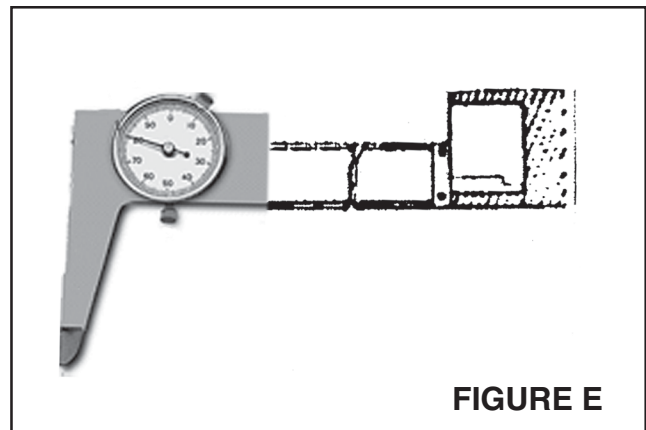
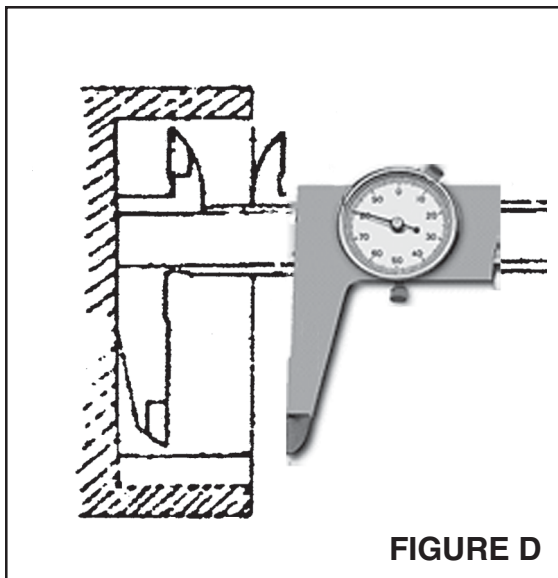
1. The Beam Scale Measurement Point features readings in inches.
2. The Dial features readings in inches.
3. First, read the Slide Scale Measurement Point (in inches and tenths of inches), i.e., 0.5". Then, read the Dial Needle on the Dial (in 1/128"), i.e., 2/128" or 1/64".
4. Combine the two measurements for the final reading, 33/64" (1/2" + 1/64").

To Use The Caliper:

1. To measure the *outside* diameter of an object **see Figure B.**
2. To measure the *inside* diameter of an object **see Figure C.**



3. To make a *step* measurement of an object see **Figure D**.
4. To measure the *depth* of an object see **Figure E**.



Actual product may vary slightly from illustrations.

***CEN-TECH* LIMITED 90 DAY WARRANTY**

Harbor Freight Tools Co. makes every effort to assure that its products meet high quality and durability standards, and warrants to the original purchaser that this product is free from defects in materials and workmanship for the period of ninety days from the date of purchase. This warranty does not apply to damage due directly or indirectly to misuse, abuse, negligence or accidents; repairs or alterations outside our facilities; or to lack of maintenance. We shall in no event be liable for death, injuries to persons or property, or for incidental, contingent, special or consequential damages arising from the use of our product. Some states do not allow the exclusion or limitation of incidental or consequential damages, so the above limitation of exclusion may not apply to you.

To take advantage of this warranty, the product or part must be returned to us with transportation charges prepaid. Proof of purchase date and an explanation of the complaint must accompany the merchandise. If our inspection verifies the defect, we will either repair or replace the product at our election or we may elect to refund the purchase price if we cannot readily and quickly provide you with a replacement. We will return repaired products at our expense, but if we determine there is no defect, or that the defect resulted from causes not within the scope of our warranty, then you must bear the cost of returning the product.

This warranty gives you specific legal rights and you may also have other rights which vary from state to state.

3491 Mission Oaks Blvd. • P.O. Box 6009 • Camarillo, CA 93011 • (800) 444-3353

REPLACEMENT PARTS ARE NOT AVAILABLE FOR THIS ITEM

Free Manuals Download Website

<http://myh66.com>

<http://usermanuals.us>

<http://www.somanuals.com>

<http://www.4manuals.cc>

<http://www.manual-lib.com>

<http://www.404manual.com>

<http://www.luxmanual.com>

<http://aubethermostatmanual.com>

Golf course search by state

<http://golfingnear.com>

Email search by domain

<http://emailbydomain.com>

Auto manuals search

<http://auto.somanuals.com>

TV manuals search

<http://tv.somanuals.com>