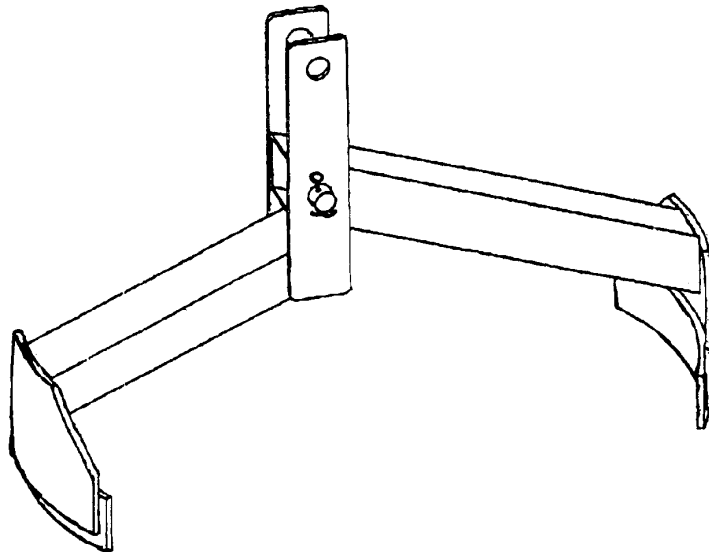


Steel Drum Lift

55 Gallon Drum Capacity

Model 45086

Assembly and Operating Instructions



3491 Mission Oaks Blvd., Camarill, CA 93011
Visit our Web site at <http://www.harborfreight.com>

Copyright © 2001 by Harbor Freight Tools. All rights reserved. No portion of this manual or any artwork contained herein may be reproduced in any shape or form without the express written consent of Harbor Freight Tools.

For technical questions and replacements parts, please call 1-800-444-3353.

Specifications

Tool Purpose:	1. Move or handle open or closed Steel Drums. 2. Keeps drum upright during lift. 3. Works easily with overhead hoist or hook from fork lift.
Construction:	4 & 11 gauge plate steel
Tool Finish:	All red powder coat; zinc-plated steel pin
Steel Lifting Pin:	Welded 3/4" Diameter x 2" L
Steel Pivot Pin:	Machine Turned, 3/4" Diameter 3.25"L w/split pin
Lift Capacity:	1,000 lbs

Save This Manual

You will need the manual for the safety warnings and precautions, assembly instructions, operating and maintenance procedures, parts list and diagram. Keep your invoice with this manual. Write the invoice number on the inside of the front cover. Keep the manual and invoice in a safe and dry place for future reference.

Safety Warnings and Precautions

WARNING: When using this product, basic safety precautions should always be followed to reduce the risk of personal injury and damage to equipment.

Read all instructions before using this product!

1. **Keep work area clean.** Cluttered areas invite injuries.
2. **Observe work area conditions.** Do not use machines or power tools in damp or wet locations. Don't expose to rain. Keep work area well lighted.
3. **Keep children away.** Children must never be allowed in the work area. Do not let them handle machines, tools, or extension cords.
4. **This product was designed for specific applications.** Do not modify this product and do not use this product for a purpose for which it was not intended.
5. **Use eye protection.** Always wear ANSI approved impact safety goggles.

6. **Check for damaged parts.** Before using any product, any part that appears damaged should be carefully checked to determine that it will operate properly and perform its intended function. Check for alignment and binding of moving parts; any broken parts or mounting fixtures; and any other condition that may affect proper operation. Any part that is damaged should be properly repaired or replaced by a qualified technician.
7. **Replacement parts and accessories.** When servicing, use only identical replacement parts. Use of any other parts will void the warranty. Only use accessories intended for use with this product. Approved accessories are available from Harbor Freight Tools.
8. **Do not operate product if under the influence of alcohol or drugs.** Read warning labels on prescriptions to determine if your judgment or reflexes are impaired while taking drugs. If there is any doubt, do not operate the product.
9. **Industrial Applications must follow OSHA requirements.**

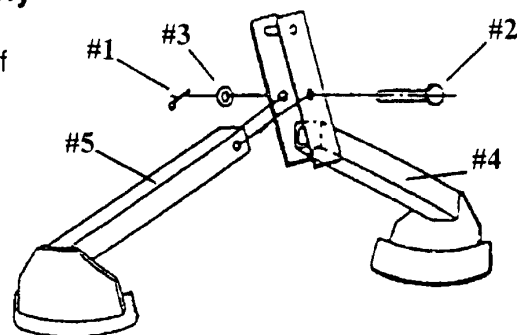
Warning: The warnings, cautions, and instructions discussed in this instruction manual cannot cover all possible conditions and situations that may occur. It must be understood by the operator that common sense and caution are factors which cannot be built into this product, but must be supplied by the operator.

Unpacking

When unpacking, check to make sure all parts listed on Page 5 are included. If any parts are missing or broken, please call Harbor Freight Tools at the number on the cover of this manual.

Assembly

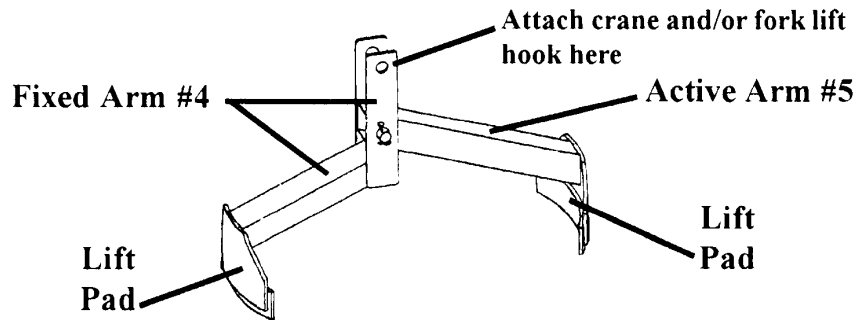
1. Line up holes of Active Arm (#5) to the holes of Fixed Arm (#4).
2. Insert Pin Shaft (#2) through the holes of Active Arm (#5) and Fixed Arm (#4).
3. Place Washer (#3) on the end of the Pin Shaft (#2) and insert the Cotter Pin (#1) through the Pin Shaft (#2).
4. Bend back the Cotter Pin (#1) to prevent the Pin Shaft (#2) from slipping.



To Operate

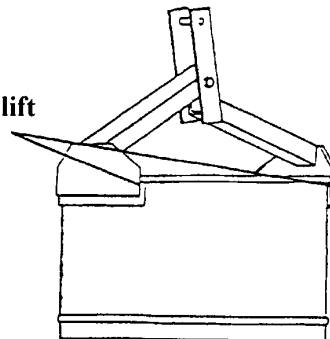
Caution: Never exceed the 1,000 lbs. maximum lift capacity.

1. Manually position lift pad portion of the Fixed and Active Arms onto the side of the drum to be lifted.



2. **Caution: Read and understand the safety warnings and instruction provided in the owners manual of the crane and/or fork lift being used to lift the Steel Drum Lifter; failure to use appropriate crane and/or fork lift may result in personal injury or property damage.**
3. Attach top of Fixed Arm (#4) to lifting crane hook. **Caution: Before attempting to lift the drum, make sure all obstacles and personnel are clear of the immediate area in which the drum is to travel. The drum should only be located on and moved to a flat, level and solid surface.** Slowly raise the Steel Drum Lifter, making sure lift pads are securely gripping under the drum rim.
4. Drum may now be slowly lifted and carefully transported to the desired location.
5. The Lifter is designed to allow placement of drum in a steel or poly overpack drum.
6. When drum has been placed in the desired location, slowly lower crane hook until the drum rests on a flat, level and solid surface. Manually remove the Lifter from the drum.

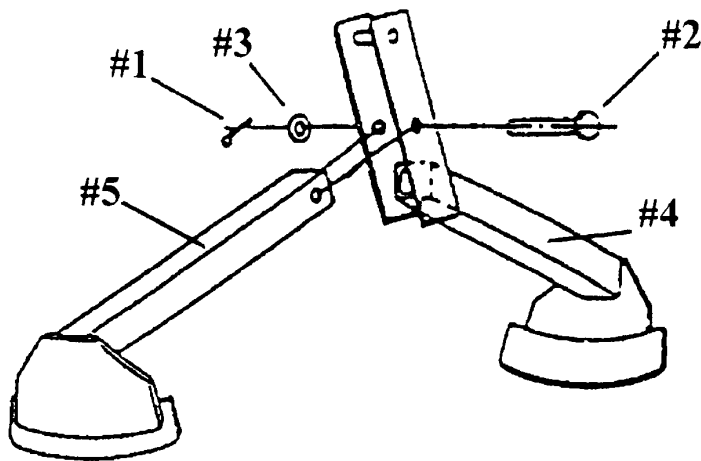
Slowly raise crane and/or fork lift making sure lift pads securely grip under drum rim.



Parts List

Part Number	Description	Qty
1	Cotter Pin	1
2	Pin Shaft	1
3	Washer	1
4	Fixed Arm	1
5	Active Arm	1

Assembly Diagram



Note: Some parts are listed and shown for illustration purposes only, and are not available individually as replacement parts.

PLEASE READ THE FOLLOWING CAREFULLY

THE MANUFACTURER AND/OR DISTRIBUTOR HAS PROVIDED THE PARTS DIAGRAM IN THIS MANUAL AS A REFERENCE TOOL ONLY. NEITHER THE MANUFACTURER NOR DISTRIBUTOR MAKES ANY REPRESENTATION OR WARRANTY OF ANY KIND TO THE BUYER THAT HE OR SHE IS QUALIFIED TO MAKE ANY REPAIRS TO THE PRODUCT OR THAT HE OR SHE IS QUALIFIED TO REPLACE ANY PARTS OF THE PRODUCT. IN FACT, THE MANUFACTURER AND/OR DISTRIBUTOR EXPRESSLY STATES THAT ALL REPAIRS AND PARTS REPLACEMENTS SHOULD BE UNDERTAKEN BY CERTIFIED AND LICENSED TECHNICIANS AND NOT BY THE BUYER. THE BUYER ASSUMES ALL RISK AND LIABILITY ARISING OUT OF HIS OR HER REPAIRS TO THE ORIGINAL PRODUCT OR REPLACEMENT PARTS THERETO, OR ARISING OUT OF HIS OR HER INSTALLATION OF REPLACEMENT PARTS THERETO.

Free Manuals Download Website

<http://myh66.com>

<http://usermanuals.us>

<http://www.somanuals.com>

<http://www.4manuals.cc>

<http://www.manual-lib.com>

<http://www.404manual.com>

<http://www.luxmanual.com>

<http://aubethermostatmanual.com>

Golf course search by state

<http://golfingnear.com>

Email search by domain

<http://emailbydomain.com>

Auto manuals search

<http://auto.somanuals.com>

TV manuals search

<http://tv.somanuals.com>