



CASCADING FOUNTAIN

Model 93442

ASSEMBLY AND OPERATING INSTRUCTIONS



Diagrams within this manual may not be drawn proportionally.
Due to continuing improvements, actual product may differ slightly from the product described herein.

Distributed exclusively by Harbor Freight Tools®.

3491 Mission Oaks Blvd., Camarillo, CA 93011

Visit our website at: <http://www.harborfreight.com>



**Read this material before using this product.
Failure to do so can result in serious injury.
SAVE THIS MANUAL.**

Copyright© 2005 by Harbor Freight Tools®. All rights reserved. No portion of this manual or any artwork contained herein may be reproduced in any shape or form without the express written consent of Harbor Freight Tools.

For technical questions or replacement parts, please call 1-800-444-3353.

PRODUCT SPECIFICATIONS

Item	Description
Electrical Requirements	120 VAC / 60Hz / 0.04 AMPs Power Cord: 6'-3" / 18AWG x 3 C Power Plug: 3-Prong
Water Pump	Self-Priming with Intake Filter / 1/4" Outlet Nipple
Large Bowl Size	13-1/4" Diameter x 4-1/2" High
Small Bowl Size	6-1/4" Diameter x 2-7/8" High
Jug Size	4-7/8" Diameter x 6" High
Stand Frame Dimensions	11" Diameter x 16-3/4" High
Overall Dimensions	15-5/8" Long x 17" Wide x 21-1/2" High
Unit Weight	16.25 Pounds

SAVE THIS MANUAL

You will need this manual for the safety warnings and precautions, assembly, operating, inspection, maintenance and cleaning procedures, parts list and assembly diagram. Keep your invoice with this manual. Write the invoice number on the inside of the front cover. Keep this manual and invoice in a safe and dry place for future reference.

GENERAL SAFETY RULES



WARNING!

READ AND UNDERSTAND ALL INSTRUCTIONS
Failure to follow all instructions listed below may result in electric shock, fire, and/or serious injury.
SAVE THESE INSTRUCTIONS

WORK AREA

1. **Keep your work area clean and well lit.** Cluttered benches and dark areas invite accidents.
2. **Do not operate this product in explosive atmospheres, such as in the presence of flammable liquids, gases, or dust.** Electrically charged products create sparks which may ignite the dust or fumes.
3. **Keep bystanders, children, and visitors away while operating a this product.** Distractions can cause you to lose control. Protect others in the work area from debris such as chips and sparks. Provide barriers or shields as needed.

ELECTRICAL SAFETY

4. **Grounded products must be plugged into an outlet properly installed and**

REV 09c

SKU 93442

For technical questions, please call 1-800-444-3353

PAGE 2

grounded in accordance with all codes and ordinances. Never remove the grounding prong or modify the plug in any way. Do not use any adapter plugs. Check with a qualified electrician if you are in doubt as to whether the outlet is properly grounded. If the product should electrically malfunction or break down, grounding provides a low resistance path to carry electricity away from the user.

5. **Double insulated products are equipped with a polarized plug (one blade is wider than the other). This plug will fit in a polarized outlet only one way. If the plug does not fit fully in the outlet, reverse the plug. If it still does not fit, contact a qualified electrician to install a polarized outlet. Do not change the plug in any way.** Double insulation eliminates the need for the three wire grounded power cord and grounded power supply system.
6. **Avoid body contact with grounded surfaces such as pipes, radiators, ranges, and refrigerators.** There is an increased risk of electric shock if your body is grounded.
7. **Do not abuse the Power Cord. Never use the Power Cord to carry this product or pull the Plug from an outlet. Keep the Power Cord away from heat, oil, sharp edges, or moving parts. Replace damaged Power Cords immediately.** Damaged Power Cords increase the risk of electric shock.
8. **When operating this product outside, use an outdoor extension cord marked “W-A” or “W”.** These extension cords are rated for outdoor use, and reduce the risk of electric shock.

PERSONAL SAFETY

9. **Stay alert. Watch what you are doing, and use common sense when operating this product. Do not use the Fountain while tired or under the influence of drugs, alcohol, or medication.** A moment of inattention while operating this product may result in serious personal injury.
10. **Avoid accidental starting.** Make sure the Power Cord remains unplugged from its electrical outlet until this product is completely assembled, filled with water, and ready to use.
11. **Do not overreach. Keep proper footing and balance at all times.** Proper footing and balance enables better control of this product in unexpected situations.

12. **Use safety equipment. Wear eye protection when assembling this product.** Non-skid safety shoes must be used for appropriate conditions.


TOOL USE AND CARE



13. **Disconnect the Power Cord Plug from the power source before making any adjustments, changing accessories, or storing the Fountain.** Such preventive safety measures reduce the risk of starting the unit accidentally.
14. **Store idle equipment out of reach of children and other untrained persons.** Electrically powered products are dangerous in the hands of untrained users.
15. **Check for misalignment or binding of moving parts, breakage of parts, and any other condition that may affect this product's operation. If damaged, have the Fountain serviced before using.** Many accidents are caused by poorly maintained equipment.

SERVICE

16. **Service must be performed only by qualified repair personnel.** Service or maintenance performed by unqualified personnel could result in a risk of injury.
17. **When servicing this product, use only identical replacement parts. Follow instructions in the “*Inspection, Maintenance, And Cleaning*” section of this manual.** Use of unauthorized parts or failure to follow maintenance instructions may create a risk of electric shock or injury.

SPECIFIC SAFETY RULES

1. **Maintain labels and nameplates on the Fountain.** Save this instruction manual. These carry important information. If unreadable or missing, contact Harbor Freight Tools for a replacement.
2.  **Wear ANSI approved safety impact eye goggles and heavy duty work gloves when assembling the Fountain.** Using personal safety devices reduce the risk for injury. Safety impact eye goggles and heavy duty work gloves are available from Harbor Freight Tools.

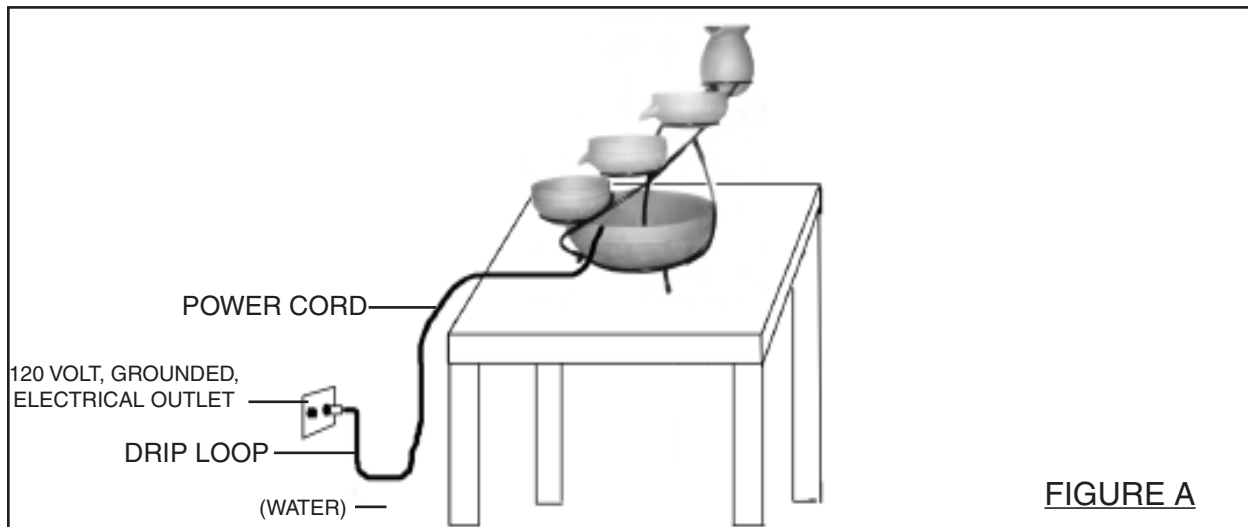
3. **Maintain a safe environment.** Keep the area well lit. Make sure there is adequate surrounding space. Always keep the area free of obstructions, grease, oil, trash, and other debris. Do not use an electrically powered product in areas near flammable chemicals, dusts, and vapors.
4. **Never leave the Fountain unattended when it is plugged into an electrical outlet.** Turn off the Fountain before leaving.
5. **Carefully inspect the condition of the Fountain before use, and check the Fountain continually during use.** If any damage is noted, stop immediately and repair or replace the Fountain.
6. Make sure the Pump (9) is unplugged from its electrical outlet prior to performing any inspection, maintenance, or cleaning procedures.
7.  **CAUTION!** Excessive weight or pressure on any of the Fountain sections may cause it to tip and/or fall. Keep children and pets away from any of the Fountain sections and the Power Cord.
8. The ceramic Bowls (5, 6, 7) are fragile and can be easily damaged. Handle with care.
9. This Fountain is designed for use with cold, clean water only. Do not use water over 85 degrees Fahrenheit as it will damage the inner seals of the Pump (9) may occur. Do not use this Fountain with any other liquids.
10. Make sure the water supply used for the Fountain is not dirty, sandy, and does not contain any corrosive chemical products. Change the water when necessary and rinse out the ceramic Bowls (5, 6, 7) frequently.
11. Running the Pump (9) without sufficient water can damage the Pump. This Pump requires a minimum of 2 inches of water at all times.
12. If locating the Fountain on a ground surface, make sure the surface is flat, level, and dry.
13. If locating the Fountain on a table, make sure the table is flat, level, dry, and sturdy enough to support the weight of the Fountain and its water. Always keep the Fountain out of reach of children.
14.  Avoid accidental electric shock. Keep all electrically powered products away from the Fountain. Disconnect the Pump (9) from its electrical outlet before placing hands in a ceramic Bowl (5, 6, 7) filled with water. Make sure to stand on a dry, insulated surface such as a rubber mat while using the Fountain.

15. Always arrange a “drip loop” in the Power Cord connecting the Pump (9) to a 120 volt, grounded, electrical outlet. A drip loop is that part of the Power Cord below the level of the electrical outlet, or the connector if an extension cord is used, to prevent water traveling along the Power Cord and coming in contact with the outlet. If the Power Cord Plug or outlet does get wet, do not unplug the Power Cord Plug. Disconnect the fuse or circuit breaker that supplies power to the electrical outlet. Then, unplug the Power Cord and examine for presence of water in the outlet. (See Figure A.)



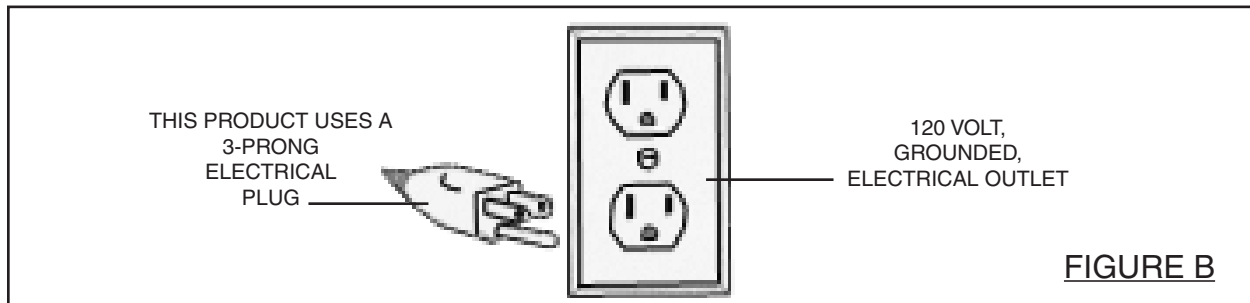
16. **⚠ WARNING!** People with pacemakers should consult their physician(s) before using this product. Operation of electrical equipment in close proximity to a heart pacemaker could cause interference or failure of the pacemaker.
17. **⚠ WARNING!** The warnings and cautions discussed in this manual cannot cover all possible conditions and situations that may occur. It must be understood by the operator that common sense and caution are factors which cannot be built into this product, but must be supplied by the operator.

SAVE THESE INSTRUCTIONS



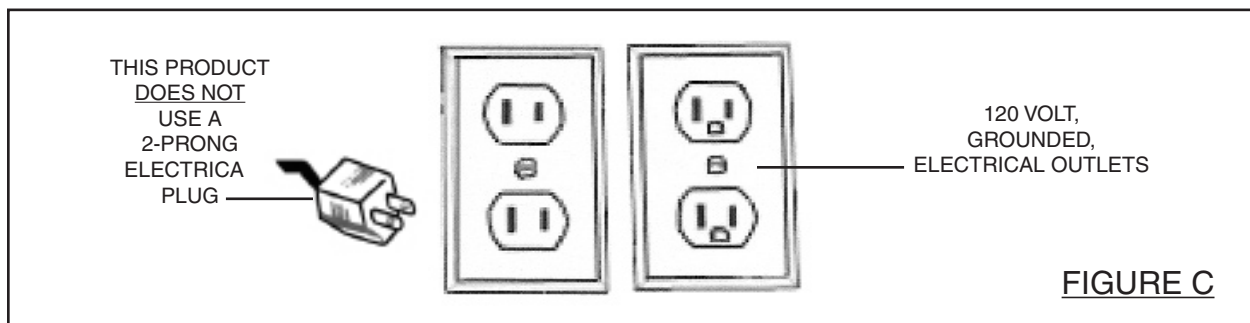
GROUNDING TOOLS: TOOLS WITH THREE PRONG PLUGS

1. Tools marked with “Grounding Required” have a three wire cord and three prong grounding plug. The plug must be connected to a properly grounded outlet. If the tool should electrically malfunction or break down, grounding provides a low resistance path to carry electricity away from the user, reducing the risk of electric shock. **(See Figure B.)**
2. The grounding prong in the plug is connected through the green wire inside the cord to the grounding system in the tool. The green wire in the cord must be the only wire connected to the tool’s grounding system and must never be attached to an electrically “live” terminal. **(See Figure B.)**
3. Your tool must be plugged into an appropriate outlet, properly installed and grounded in accordance with all codes and ordinances. The plug and outlet should look like those in the following illustration. **(See Figure B.)**



DOUBLE INSULATED TOOLS: TOOLS WITH TWO PRONG PLUGS

4. Tools marked “Double Insulated” do not require grounding. They have a special double insulation system which satisfies OSHA requirements and complies with the applicable standards of Underwriters Laboratories, Inc., the Canadian Standard Association, and the National Electrical Code. **(See Figure C.)**
5. Double insulated tools may be used in either of the 120 volt outlets shown in the following illustration. **(See Figure C.)**



EXTENSION CORDS

1. **Grounded** tools require a three wire extension cord. **Double Insulated** tools can use either a two or three wire extension cord.
2. As the distance from the supply outlet increases, you must use a heavier gauge extension cord. Using extension cords with inadequately sized wire causes a serious drop in voltage, resulting in loss of power and possible tool damage. **(See Figure D.)**
3. The smaller the gauge number of the wire, the greater the capacity of the cord. For example, a 14 gauge cord can carry a higher current than a 16 gauge cord. **(See Figure D.)**
4. When using more than one extension cord to make up the total length, make sure each cord contains at least the minimum wire size required. **(See Figure D.)**
5. If you are using one extension cord for more than one tool, add the nameplate amperes and use the sum to determine the required minimum cord size. **(See Figure D.)**
6. If you are using an extension cord outdoors, make sure it is marked with the suffix "W-A" ("W" in Canada) to indicate it is acceptable for outdoor use.
7. Make sure your extension cord is properly wired and in good electrical condition. Always replace a damaged extension cord or have it repaired by a qualified electrician before using it.
8. Protect your extension cords from sharp objects, excessive heat, and damp or wet areas.

RECOMMENDED MINIMUM WIRE GAUGE FOR EXTENSION CORDS* (120 VOLT)					
NAMEPLATE AMPERES (At Full Load)	EXTENSION CORD LENGTH				
	25 Feet	50 Feet	75 Feet	100 Feet	150 Feet
0 – 2.0	18	18	18	18	16
2.1 – 3.4	18	18	18	16	14
3.5 – 5.0	18	18	16	14	12
5.1 – 7.0	18	16	14	12	12
7.1 – 12.0	18	14	12	10	-
12.1 – 16.0	14	12	10	-	-
16.1 – 20.0	12	10	-	-	-

* Based on limiting the line voltage drop to five volts at 150% of the rated amperes.

FIGURE D

SYMBOLOLOGY







	Double Insulated
	Canadian Standards Association
	Underwriters Laboratories, Inc.
	Volts Alternating Current
	Amperes
	No Load Revolutions per Minute (RPM)

FIGURE E

UNPACKING


When unpacking, check to make sure all the parts shown on the **Parts List on page 13** are included. If any parts are missing or broken, please call Harbor Freight Tools at the number shown on the cover of this manual as soon as possible.

ASSEMBLY AND OPERATING INSTRUCTIONS

NOTE:

For additional information regarding the parts listed in the following pages, refer to the **Assembly Diagram on page 13**.

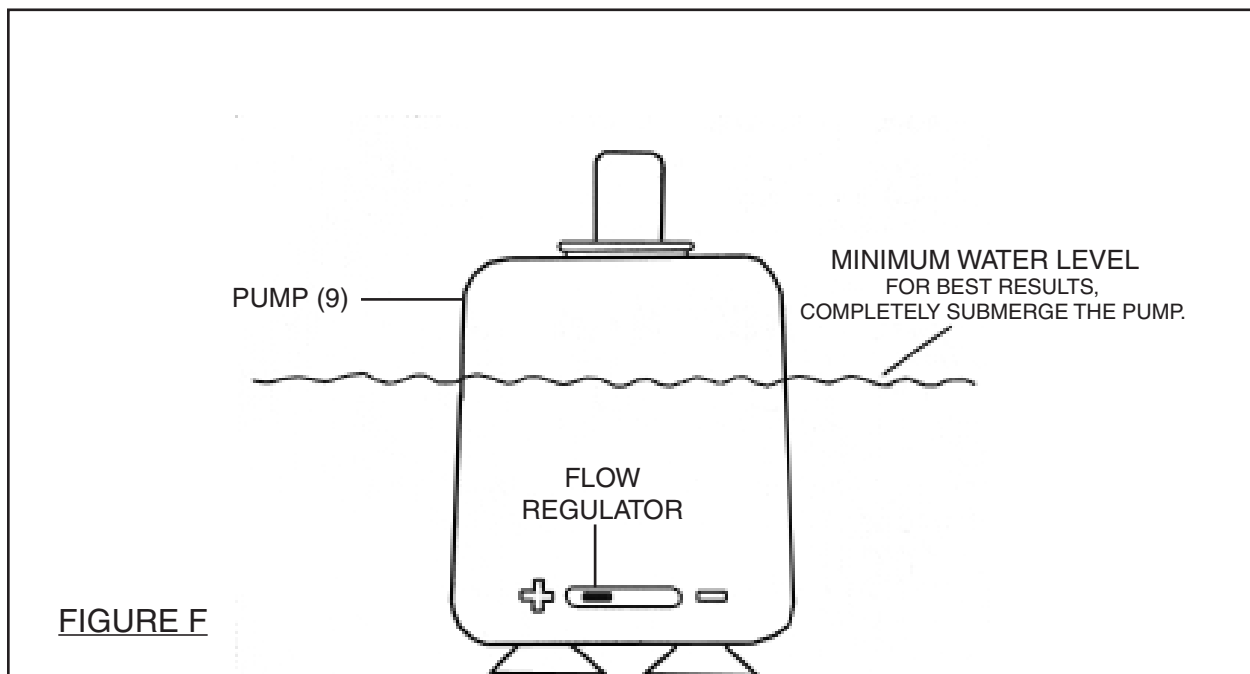
WARNING: DROWNING HAZARD; KEEP OUT OF SMALL CHILDREN'S REACH.

 **CAUTION!** Always make sure the Pump (9) is disconnected from its electrical outlet prior to assembling the Fountain, adding any water, or performing service to the product.

Assembly Instructions:

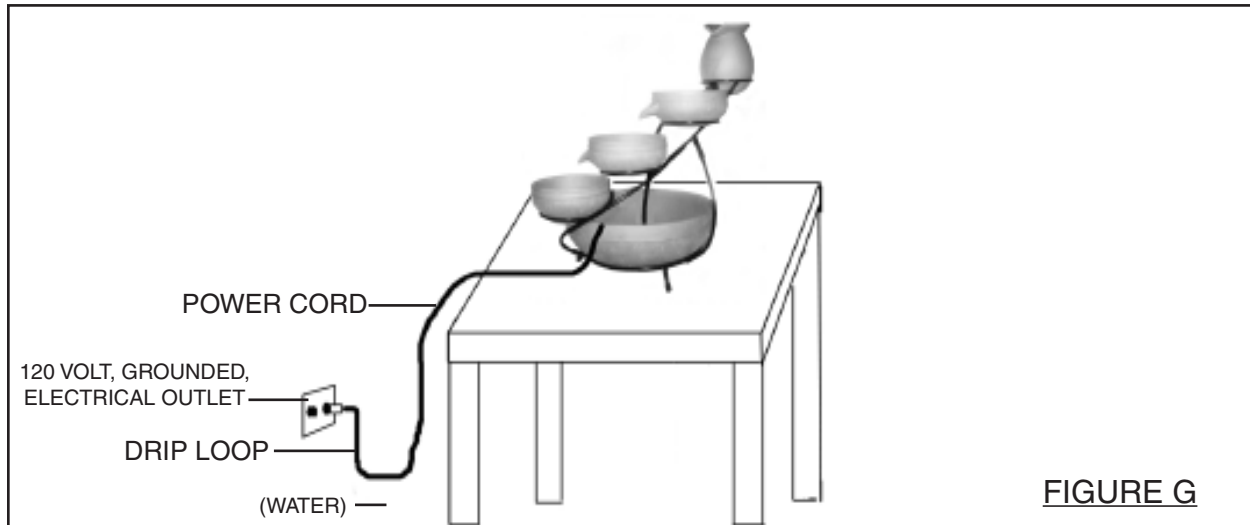
1. **NOTE:** Assembly will require the assistance of another person.
2. Place the Bottom Stand (1) in the location where the Fountain is to be used. **(See Assy. Diagram.)**
3. Attach the Vertical Stand (2) to the Bottom Stand (1). **(See Assy. Diagram.)**
4. Attach the Middle Stand (3) to the Vertical Stand (2) and Bottom Stand (1). **(See Assy. Diagram.)**

5. Attach the Top Stand (4) to the Vertical Stand (2) and Middle Stand (3). **(See Assy. Diagram.)**
6. *Carefully* set the Large Bowl (5) on the Bottom Stand (1). **(See Assy. Diagram.)**
7. *Carefully* set three Small Bowls (6) on the Middle Stand (3) and Top Stand (4). **(See Assy. Diagram.)**
8. *Carefully* set the Jug (7) on the Top Stand (4). **(See Assy. Diagram.)**
9. Route the Hose (8) downward into the Large Bowl (5). **(See Assy. Diagram.)**
10. Set the Pump (9) in the middle of the Large Bowl (5). **(See Assy. Diagram.)**
11. Connect the Hose (8) to the Pump (9). (See Assy. Diagram.)
12. Make sure the Fountain is unplugged from its electrical outlet. Then, move the Flow Regulator of the Pump (9) towards the “+” position. NOTE: After running the Fountain, it may be necessary to adjust the rate of water flow. If so, disconnect the Pump from its electrical outlet. Moving the Flow Regulator towards the “+” position increases the rate of flow. Moving the Flow Regulator towards the “--” position decreases the rate of flow. (See Figure F.)
13. Fill the Large Bowl (5) with a minimum 2” of water. Do not overfill the Large Bowl. (See Assy. Diagram and Figure F.)



Operating Instructions:


1. Plug the Power Cord of the Pump (9) into the nearest 120 volt, grounded, electrical outlet, making sure to arrange a “drip loop” in the Cord. The Pump will now run continuously until it is unplugged from its electrical outlet. (See Figure G.)



2. Allow sufficient time for the Pump (9) to move water upward into the Jug (7). Once the Jug is filled to overflowing, the water will begin cascading downward into the three Small Bowls (6) and into the Large Bowl where it will again be pumped upward to repeat the process. (See Assy. Diagram.)
3. When finished using the Fountain, always unplug the Power Cord from the electrical outlet. Drain the Fountain of all water. Then store the unit in a clean, dry, safe location out of reach of children.

INSPECTION, MAINTENANCE, AND CLEANING

1. **⚠ WARNING!** Make sure the Power Cord of the Pump (9) is disconnected from its electrical outlet prior to performing any inspection, maintenance, or cleaning procedures.
2. **Before each use**, inspect the general condition of the Fountain. Check for cracked or broken parts, damaged electrical wiring, and any other condition that may affect safe operation. If abnormal noise or vibration occurs, have the problem corrected before further use. **Do not use damaged equipment.**
3. **To clean the Pump Filter:** A clogged or dirty Pump Filter will greatly reduce performance of the Fountain. To clean the Pump Filter, remove the Front Plate of the Pump to expose the Filter. Use a stream of clean water to clean the Filter and Impeller area inside the Pump. Then, replace the Front Plate.
4. **Make sure the water supply used for the Fountain is not dirty, sandy, and does not contain any corrosive chemical products.** Change the water when necessary and rinse out the ceramic Bowls (5, 6, 7) frequently.

5. **When storing**, make sure to store the Fountain in a clean, dry, safe location out of reach of children.
6.  **CAUTION!** All maintenance, service, or repairs not mentioned in this manual must only be performed by a qualified service technician.

GROUNDING

WARNING!

Improperly connecting the grounding wire can result in the risk of electric shock. Check with a qualified electrician if you are in doubt as to whether the outlet is properly grounded. Do not modify the power cord plug provided with the tool. Never remove the grounding prong from the plug. Do not use the tool if the power cord or plug is damaged. If damaged, have it repaired by a service facility before use. If the plug will not fit the outlet, have a proper outlet installed by a qualified electrician.

TROUBLESHOOTING

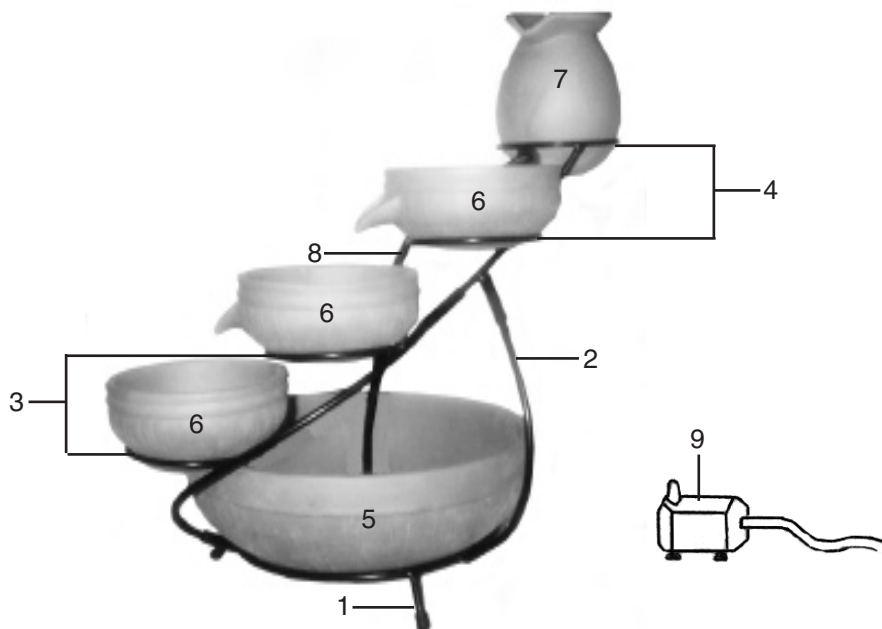
Problem	Possible Solution
<p>The Pump (9) is plugged in, but fails to operate.</p>	<p>Make sure the Power Cord of the Pump is plugged into a <i>working</i> 120 volt, grounded, electrical outlet.</p> <p>Check for any damage to the Power Cord.</p> <p>Check the fuse or circuit breaker supplying power to the electrical outlet.</p> <p>Make sure there is at least 2" of water in the Large Bowl (5). For best results, completely submerge the Pump in water.</p> <p>Check the water intake area of the Pump for excessive debris build-up. If necessary, clean the intake area.</p> <p>Check the Pump Hose (8) for kinks and obstructions. If necessary, flush out with a garden hose.</p> <p>Remove the Front Plate of the Pump to access the Impeller area. Turn the Impeller to ensure it is not jammed or broken.</p>

PLEASE READ THE FOLLOWING CAREFULLY

THE MANUFACTURER AND/OR DISTRIBUTOR HAS PROVIDED THE PARTS LIST AND ASSEMBLY DIAGRAM IN THIS MANUAL AS A REFERENCE TOOL ONLY. NEITHER THE MANUFACTURER OR DISTRIBUTOR MAKES ANY REPRESENTATION OR WARRANTY OF ANY KIND TO THE BUYER THAT HE OR SHE IS QUALIFIED TO REPLACE ANY PARTS OF THE PRODUCT. IN FACT, THE MANUFACTURER AND/OR DISTRIBUTOR EXPRESSLY STATES THAT ALL REPAIRS AND PARTS REPLACEMENTS SHOULD BE UNDERTAKEN BY CERTIFIED AND LICENSED TECHNICIANS, AND NOT BY THE BUYER. THE BUYER ASSUMES ALL RISKS AND LIABILITY ARISING OUT OF HIS OR HER REPAIRS TO THE ORIGINAL PRODUCT OR REPLACEMENT PARTS THERETO, OR ARISING OUT OF HIS OR HER INSTALLATION OF REPLACEMENT PARTS THERETO.

PARTS LIST AND ASSEMBLY DIAGRAM

Part #	Description	Qty.	Part #	Description	Qty.
1	Bottom Stand	1	6	Small Bowl	3
2	Vertical Stand	1	7	Jug	1
3	Middle Stand	1	8	Hose	1
4	Top Stand	1	9	Pump	1
5	Large Bowl	1			

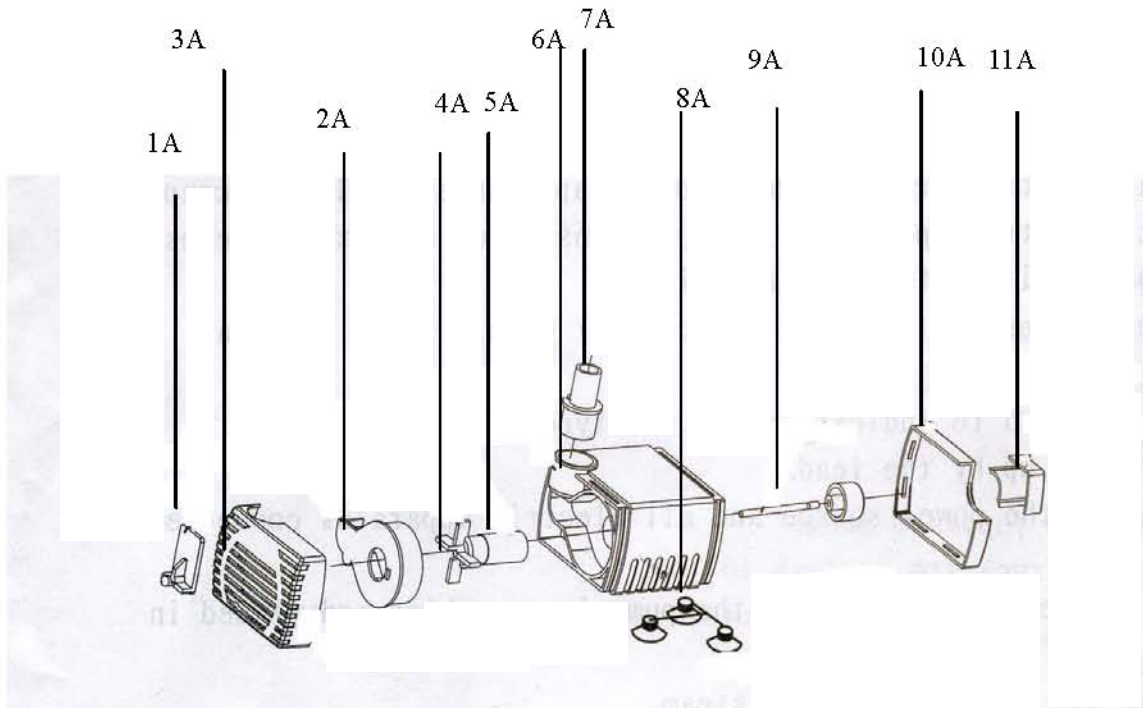


NOTE:

Some parts are listed and shown for illustration purposes only, and are not available individually as replacement parts.

PARTS LIST AND ASSEMBLY DIAGRAM (PUMP)

Part #	Description	Qty
1A	Control Valve	1
2A	Pressure Casing	1
3A	Filtering Cover	1
4A	Impeller	1
5A	Rotor	1
6A	Pump Housing	1
7A	Out Let	1
8A	Absorb Cap	3
9A	Sharf	1
10A	Front Cover	1
11A	Clamping ring	1



Free Manuals Download Website

<http://myh66.com>

<http://usermanuals.us>

<http://www.somanuals.com>

<http://www.4manuals.cc>

<http://www.manual-lib.com>

<http://www.404manual.com>

<http://www.luxmanual.com>

<http://aubethermostatmanual.com>

Golf course search by state

<http://golfingnear.com>

Email search by domain

<http://emailbydomain.com>

Auto manuals search

<http://auto.somanuals.com>

TV manuals search

<http://tv.somanuals.com>