

FRUIT JUICER-MANUAL

Model 03707

ASSEMBLY & OPERATING INSTRUCTIONS



Visit Our Web Site
<http://www.harborfreight.com>



Copyright © 2003 by Harbor Freight Tools®. All rights reserved. No portion of this manual or any artwork contained herein may be reproduced in any shape or form without the express written consent of Harbor Freight Tools.

For technical questions and replacement parts please call 1-800-444-3353.

THANK YOU for choosing a **HARBOR FREIGHT TOOLS** product. For future reference, please complete the owner's record below:

Model _____

Serial No. _____

Purchase Date _____

Save This Manual

You will need the manual for the safety warnings and precautions, assembly instructions, operating and maintenance procedures, parts list and diagram. Keep your invoice with this manual. Write the invoice number on the inside of the front cover. Keep the manual and invoice in a safe and dry place for future reference.

Technical Specifications

Product Name:	Fruit Juicer-Manual
Product Number:	03707
Base Dimensions:	6-1/4" W, 4-1/2" Depth, 7-1/4" L x 3-3/8" H
Height Dimensions:	17-3/4" Open, 14-3/8" Closed
Handle Dimensions:	5-1/8" Long x .470 Diameter
Cone Plunger Diameter:	3-5/8" Diameter x 2-3/4" High
Overall Dimensions:	7-1/4" L x 6-1/4" W x 14-3/8" H
Net Weight:	5.5 LBS.
Construction:	Stainless Steel Cup, Screen and Plate All other parts are zinc plated.



READ ALL INSTRUCTIONS BEFORE USING THIS PRODUCT!

Safety Warnings and Precautions

WARNING: When using product, basic safety precautions should always be followed to reduce the risk of personal injury and damage to equipment.

Read all instructions before using this product!

1. **Keep work area clean.** Cluttered areas invite injuries.
2. **Store idle equipment.** When not in use, products must be stored in a dry location to inhibit rust. Always lock up products and keep out of reach of children.
3. **Use the right product for the job.** There are certain applications for which this product was designed. It will do the job better and more safely at the rate for which it was intended. Do not modify this product and do not use this product for a purpose for which it was not intended.
4. **Check for damaged parts.** Before using any product, any part that appears damaged should be carefully checked to determine that it will operate properly and perform its intended function. Check for alignment and binding of moving parts; any broken parts or mounting fixtures; and any other condition that may affect proper operation. Any part that is damaged should be properly repaired or replaced by a qualified technician.
5. **Replacement parts and accessories.** When servicing, use only identical replacement parts. Use of any other parts will void the warranty.
6. **Dress properly.** Do not wear loose clothing or jewelry as they can be caught in moving parts. Wear restrictive hair covering to contain long hair. Keep hands and fingers away from moving parts.

7. **Do not operate product if under the influence of alcohol or drugs.** Read warning labels on prescriptions to determine if your judgment or reflexes are impaired while taking drugs. If there is any doubt, do not operate the product.

Warning: The warnings, cautions, and instructions discussed in this instruction manual cannot cover all possible conditions and situations that may occur. It must be understood by the operator that common sense and caution are factors which cannot be built into this product, but must be supplied by the operator.

Assembly

Your Fruit Juicer comes completely assembled.

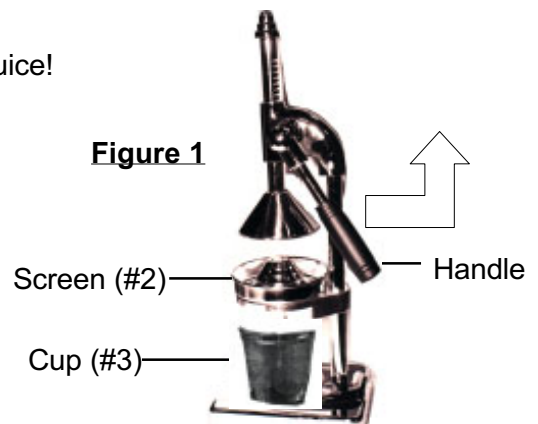
Operation

It is important that you read the entire manual to become familiar with the product BEFORE you use the Fruit Juicer. Before assembling the Fruit Juicer be sure that you have all parts described in the Parts List and Assembly Diagram located on the last page of this manual.

Caution: To avoid health hazards: Before using, thoroughly wipe off all Fruit Juicer parts with a clean rag. In addition, clean the Screen and Cup in a dishwasher. Before using, clean the entire Fruit Juicer in warm soapy water using a mild anti-bacterial detergent. Clean the Fruit Juicer after every operation. Failure to follow these precautions may result in serious illness due to food poisoning.

The Manual Fruit Juicer is ideally suited to juice many fruits such as oranges, lemons, grapefruits and limes.

- Step 1) Cut the fruit to be juiced in half. Place the cut half so that the inside of the fruit rests on the Screen (#2).
- Step 2) Set the Screen (#2) with fruit on top of the Cup (#3). Place the Cup (#3)(with Screen (#2)) inside the hole in the center of the base.
- Step 3) Lift up on the Handle. This will move the cone of the Fruit Juicer down onto the fruit squeezing out your juice-see Figure 1. It may be necessary (due to fruit size, for instance) to turn the fruit and repeat lifting the Handle. This will squeeze out any remaining juice from your fruit.
- Step 4) Drink and enjoy your freshly squeezed fruit juice!
- Step 5) Wash the Fruit Juicer and all accessories as outlined under "Caution" on this page.



Unpacking

Unpack and Check Contents

When unpacking your Manual Fruit Juicer, check to make sure the following parts are included. If any parts are missing or broken, please call **HARBOR FREIGHT TOOLS** at **1-800-444-3353**.

Parts List

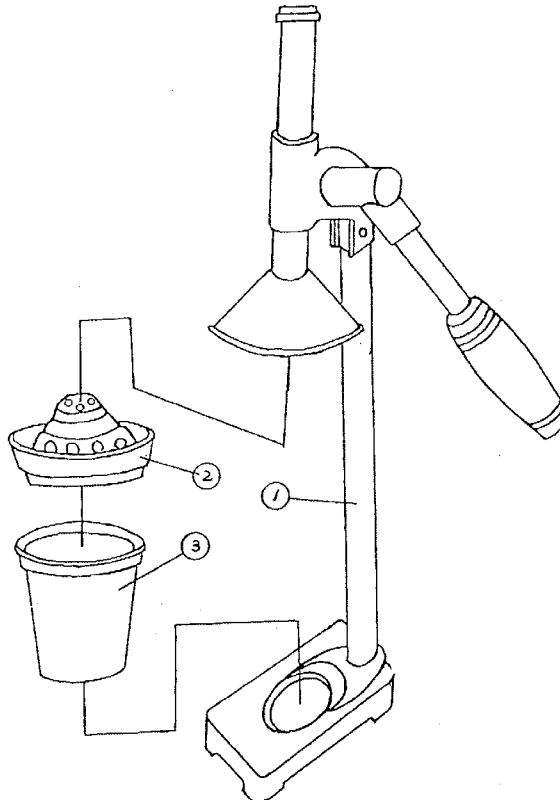
Part #	Description
1	Frame
2	Screen
3	Cup

Note: Some parts are listed and shown for illustration purposes only and are not available individually as replacement parts.

PLEASE READ THE FOLLOWING CAREFULLY

THE MANUFACTURER AND/OR DISTRIBUTOR HAS PROVIDED THE PARTS DIAGRAM IN THIS MANUAL AS A REFERENCE TOOL ONLY. NEITHER THE MANUFACTURER NOR DISTRIBUTOR MAKES ANY REPRESENTATION OR WARRANTY OF ANY KIND TO THE BUYER THAT HE OR SHE IS QUALIFIED TO MAKE ANY REPAIRS TO THE PRODUCT OR THAT HE OR SHE IS QUALIFIED TO REPLACE ANY PARTS OF THE PRODUCT. IN FACT, THE MANUFACTURER AND/OR DISTRIBUTOR EXPRESSLY STATES THAT ALL REPAIRS AND PARTS REPLACEMENTS SHOULD BE UNDERTAKEN BY CERTIFIED AND LICENSED TECHNICIANS AND NOT BY THE BUYER. THE BUYER ASSUMES ALL RISK AND LIABILITY ARISING OUT OF HIS OR HER REPAIRS TO THE ORIGINAL PRODUCT OR REPLACEMENT PARTS THERETO, OR ARISING OUT OF HIS OR HER INSTALLATION OF REPLACEMENT PARTS THERETO.

Parts and Assembly Diagram



Free Manuals Download Website

<http://myh66.com>

<http://usermanuals.us>

<http://www.somanuals.com>

<http://www.4manuals.cc>

<http://www.manual-lib.com>

<http://www.404manual.com>

<http://www.luxmanual.com>

<http://aubethermostatmanual.com>

Golf course search by state

<http://golfingnear.com>

Email search by domain

<http://emailbydomain.com>

Auto manuals search

<http://auto.somanuals.com>

TV manuals search

<http://tv.somanuals.com>