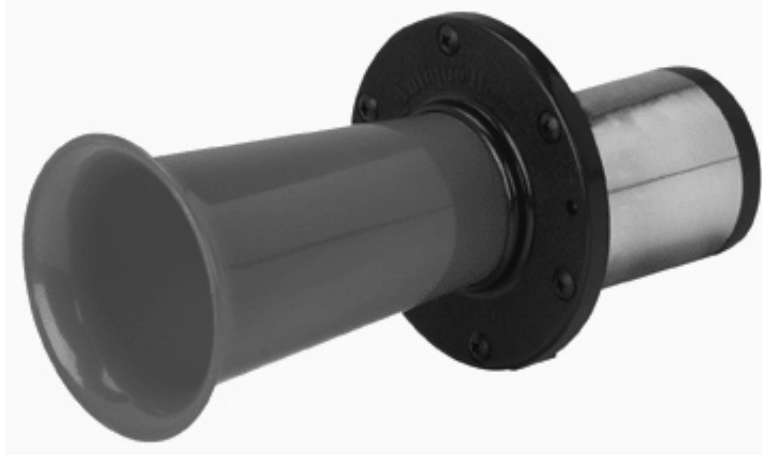


12 VOLT "OOOGA" HORN

Model 96291

ASSEMBLY AND OPERATION INSTRUCTIONS



Due to continuing improvements, actual product may differ slightly from the product described herein.



3491 Mission Oaks Blvd., Camarillo, CA 93011

Visit our website at: <http://www.harborfreight.com>

**TO PREVENT SERIOUS INJURY, READ AND UNDERSTAND
ALL WARNINGS AND INSTRUCTIONS BEFORE USE.**

Copyright© 2007 by Harbor Freight Tools®. All rights reserved. No portion of this manual or any artwork contained herein may be reproduced in any shape or form without the express written consent of Harbor Freight Tools.

For technical questions or replacement parts, please call 1-800-444-3353.

SPECIFICATIONS

Operating Power	12 Volts DC
Horn Dimensions	8-3/4" Overall Length
Bell Opening	3" Dia. x 4-5/8" L
Materials	PVC Horns & metal enclosed motor
Volume	110 dB
Weight	1.4 Pounds

Save This Manual

You will need this manual for the safety warnings and precautions, assembly, operating, inspection, maintenance and cleaning procedures, parts list and assembly diagram. Keep your invoice with this manual. Write the invoice number on the inside of the front cover. Write the product's serial number in the back of the manual near the assembly diagram, or write month and year of purchase if product has no number. Keep this manual and invoice in a safe and dry place for future reference.

GENERAL SAFETY RULES

 **WARNING!**

READ AND UNDERSTAND ALL INSTRUCTIONS
Failure to follow all instructions listed below may result in
electric shock, fire, and/or serious injury.
SAVE THESE INSTRUCTIONS

WORK AREA

1. **Keep your work area clean and well lit.** Cluttered benches and dark areas invite accidents.
2. **Keep children and visitors away while installing and operating.** Distractions can cause you to lose control. Never allow children to play with the Oooga Horn.
3. **Avoid body contact with grounded surfaces such as pipes, radiators, ranges, and refrigerators.** There is an increased risk of electric shock if your body is grounded.
4. **Do not expose the Oooga Horn to rain or wet conditions.** Water entering the Oooga Horn will increase the risk of electric shock.
5. **Use safety equipment.** Dust mask, nonskid safety shoes or hearing protection must be used for appropriate conditions. Always wear ANSI-approved safety goggles and a dust mask/respirator when installing this item.

6. **Store idle equipment out of reach of children and other untrained persons.** Tools are dangerous in the hands of untrained users.
7. **Check for breakage of parts and any other condition that may affect the Oooga Horn's operation.** If damaged, have the tool serviced before using.
8. **Service must be performed only by qualified repair personnel.** Service or maintenance performed by unqualified personnel could result in a risk of injury.
9. **Maintain labels and nameplates on the Oooga Horn.** These carry important information. If unreadable or missing, contact Harbor Freight Tools for a replacement.
10. **WARNING: The brass components of this product contain lead, a chemical known to the State of California to cause birth defects (or other reproductive harm).** (California Health & Safety code § 25249.5, *et seq.*)
11. **Exposure to noise levels over 85 dB is hazardous to hearing.** Always wear ANSI approved hearing protection when operating the Oooga Horn. Never use Horn in close proximity to people or animals, as the decibel level may cause hearing damage.
12. **Before using the Oooga Horn, check and comply with local standards for noise pollution levels.**

UNPACKING

1. **When unpacking, check to make sure that the item is intact and undamaged.** If any parts are missing or broken, please call Harbor Freight Tools at the number shown on the cover of this manual as soon as possible.

ASSEMBLY INSTRUCTIONS

Caution: Installation should be completed by a qualified technician.

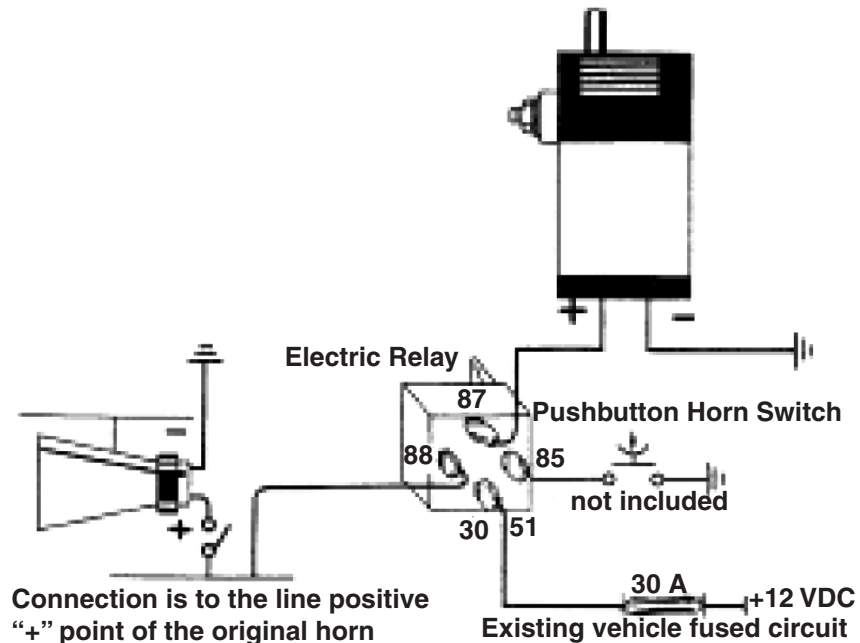
1. Before attempting installation of the Oooga Horn, turn off the ignition, shift the gear into park (for automatic transmissions) or reverse (for manual). Remove the car keys from the ignition switch and allow the engine to cool. Place wheel chocks on both sides of at least 2 wheels. Disconnect the vehicle's battery. Make sure the engine and engine compartment are cool before beginning work.
2. Lift the vehicle hood and find a suitable location to mount the Oooga Horn (1). This location must shelter the Oooga Horn and Compressor from incoming rain, road water, and mud splash from under the vehicle. Do not mount the Horn near hot engine components or where it may come into direct contact with hot surfaces or any moving parts.
3. Mount the Oooga Horn to the vehicle's chassis using the Nut and Bolt (2). The Oooga Horn (1) should be pointing forward and slightly down for maximum efficiency. A

hole may need to be drilled in the chassis frame to accomplish this. Before drilling the hole, make sure the drill's path will not come in contact with hidden wiring or any other obstructions or vehicle components. Tighten the Nut securely.

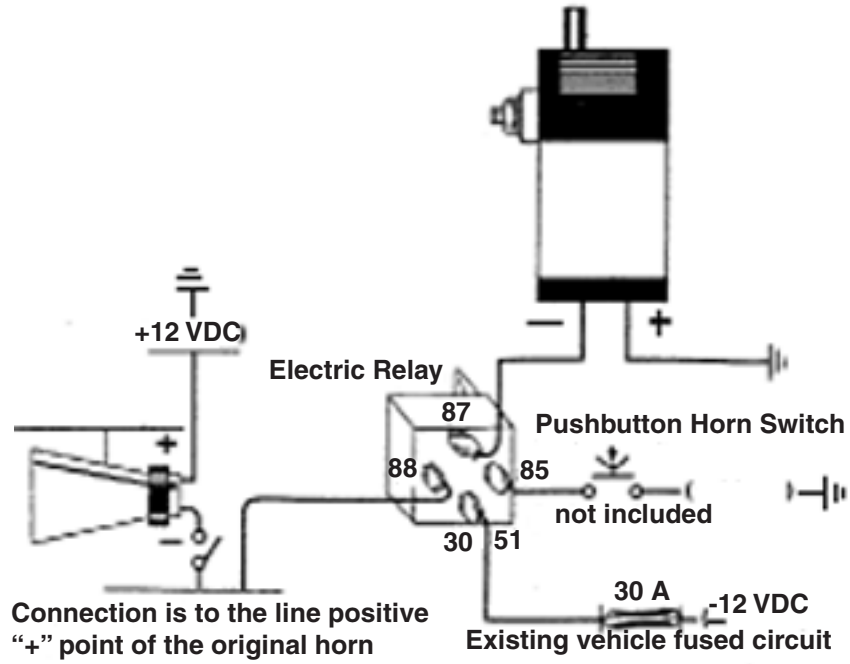
4. Mount the Electric Relay (not included), as shown in the Wiring Diagrams, to the chassis frame near the Oooga Horn using a Bolt and Nut (not included). Tighten securely.
5. Make the connections to the Oooga Horn (1) and the Electric Relay (not included) as shown on the Mounting and Wiring Diagrams. Always use terminal connectors (not included) on all connections. Connect the terminal on the Electric Relay to a 30A fused circuit.

Note: Most vehicles use a negative ground, but some vehicles employ a positive ground. If this is the case, refer to Positive Ground Wiring Diagram. Pay attention to polarity.

Negative Ground Wiring Diagram



Positive Ground Wiring Diagram



INSPECTION, MAINTENANCE, AND CLEANING

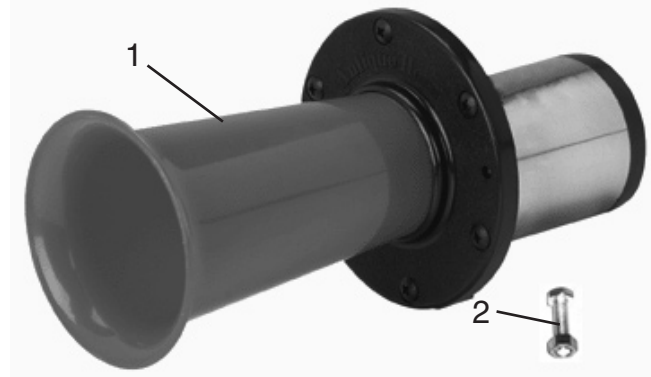
1. **⚠ WARNING!** Make sure the ignition of the vehicle is in the “OFF” position and that the tool is disconnected from the electrical outlet before performing any inspection, maintenance, or cleaning procedures.

2. **BEFORE EACH USE**, inspect the general condition of the tool. Check for loose screws, misalignment or binding of moving parts, cracked or broken parts, damaged electrical wiring, and any other condition that may affect its safe operation. If abnormal noise or vibration occurs, have the problem corrected before further use. Do not use damaged equipment. **PLEASE READ THE FOLLOWING CAREFULLY**

THE MANUFACTURER AND/OR DISTRIBUTOR HAS PROVIDED THE PARTS LIST AND ASSEMBLY DIAGRAM IN THIS MANUAL AS A REFERENCE TOOL ONLY. NEITHER THE MANUFACTURER OR DISTRIBUTOR MAKES ANY REPRESENTATION OR WARRANTY OF ANY KIND TO THE BUYER THAT HE OR SHE IS QUALIFIED TO MAKE ANY REPAIRS TO THE PRODUCT, OR THAT HE OR SHE IS QUALIFIED TO REPLACE ANY PARTS OF THE PRODUCT. IN FACT, THE MANUFACTURER AND/OR DISTRIBUTOR EXPRESSLY STATES THAT ALL REPAIRS AND PARTS REPLACEMENTS SHOULD BE UNDERTAKEN BY CERTIFIED AND LICENSED TECHNICIANS, AND NOT BY THE BUYER. THE BUYER ASSUMES ALL RISK AND LIABILITY ARISING OUT OF HIS OR HER REPAIRS TO THE ORIGINAL PRODUCT OR REPLACEMENT PARTS THERETO, OR ARISING OUT OF HIS OR HER INSTALLATION OF REPLACEMENT PARTS THERETO.

PARTS LIST

Part	Description
1	Horn/Compressor
2	Nut & Bolt



Record Product's Serial Number Here: _____

Note: If product has no serial number, record month and year of purchase instead.

Note: Some parts are listed and shown for illustration purposes only, and are not available individually as replacement parts.

Free Manuals Download Website

<http://myh66.com>

<http://usermanuals.us>

<http://www.somanuals.com>

<http://www.4manuals.cc>

<http://www.manual-lib.com>

<http://www.404manual.com>

<http://www.luxmanual.com>

<http://aubethermostatmanual.com>

Golf course search by state

<http://golfingnear.com>

Email search by domain

<http://emailbydomain.com>

Auto manuals search

<http://auto.somanuals.com>

TV manuals search

<http://tv.somanuals.com>