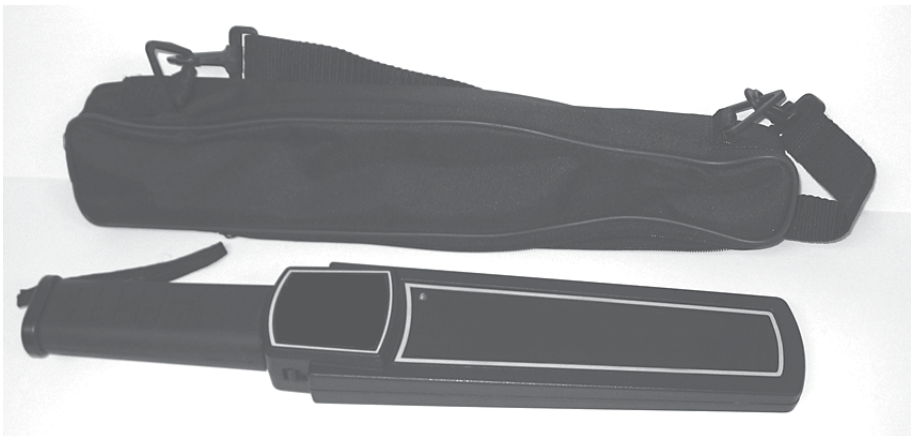


CEN-TECH™

Hand Wand Metal Detector

Model 94138

ASSEMBLY AND OPERATING INSTRUCTIONS



Due to continuing improvements, actual product may differ slightly from the product described herein.



3491 Mission Oaks Blvd., Camarillo, CA 93011

Visit our Web site at <http://www.harborfreight.com>

Copyright © 2006 by Harbor Freight Tools®. All rights reserved. No portion of this manual or any artwork contained herein may be reproduced in any shape or form without the express written consent of Harbor Freight Tools.

For technical questions and replacement parts, please call 1-800-444-3353

Specifications

Construction:	ABS Plastic Case Solid state electronics	Power Source:	9 VDC battery (not included). Up to 80 hours use, with low power alert.
Wrist Lanyard:	Included.	Alarm:	Audio buzzer and LED light.
Operating Environment:	14° F - 122° F.	Operating Frequency:	13 KHz
Sensitivity:	Continuously adjustable. Automatic tuning. Desensitize button reduces sensitivity by 50%. Maximum depth 13/16" under ideal conditions	Options:	Charging port and earphone jack provided. Charger and earphone not included. Storage case included.
Dimensions:	16-½" L x 3-¾" W x 1-5/8" D	Net Weight:	0.85 LBS with battery.

Save This Manual

You will need the manual for the safety warnings and precautions, assembly instructions, operating and maintenance procedures, parts list and diagram. Keep your invoice with this manual. Write the invoice number on the inside of the front cover. Keep the manual and invoice in a safe and dry place for future reference.

Safety Warnings and Precautions

WARNING: When using this tool, basic safety precautions should always be followed to reduce the risk of personal injury and damage to equipment.

Read all instructions before using this hand wand metal detector!

1. **Keep work area clean.** Cluttered areas invite injuries.
2. **Keep children away.** Children must never be allowed in the work area. Do not let them handle machines, tools, or extension cords.
3. **Store idle equipment.** When not in use, tools must be stored in a cool and dry location to inhibit rust. Always lock up tools and keep out of reach of children.
4. **Use the right tool for the job.** Do not attempt to force a small tool or attachment to do the work of a larger industrial tool. There are certain applications for which this tool was designed. It will do the job better and more safely at the rate for which it was intended. Do not modify this tool and do not use this tool for a purpose for which it was not intended.
5. **Do not overreach.** Keep proper footing and balance at all times. Do not reach over or across running machines.

6. **Maintain tools with care.** Keep tools maintained and clean for better and safer performance. Follow instructions for maintenance and changing accessories. The handle must be kept clean, dry, and free from oil and grease at all times.
7. **Disconnect power.** Turn off tool when not in use.
8. **Avoid unintentional starting.** Be sure the switch is in the Off position when not in use and before replacing battery.
9. **Stay alert.** Watch what you are doing, use common sense. Do not operate any tool when you are tired.
10. **Check for damaged parts.** Before using this tool, any part that appears damaged should be carefully checked to determine that it will operate properly and perform its intended function. Check for any condition that may affect proper operation. Any part that is damaged should be properly repaired or replaced by a qualified technician. Do not use the wand if the switch does not turn On and Off properly.
11. **Guard against electric shock.** Prevent body contact with grounded surfaces such as pipes, radiators, ranges, and refrigerator enclosures.
12. **Do not operate this tool if under the influence of alcohol or drugs.** Read warning labels on prescriptions to determine if your judgment or reflexes are impaired while taking drugs. If there is any doubt, do not operate the wand.
13. **Maintenance.** For your safety, service and maintenance should be performed regularly by a qualified technician. If the wand is to be stored for an extended period of time, remove the battery to prevent damage.
14. People with pacemakers should consult their physician(s) before using this product. Electromagnetic fields in close proximity to a heart pacemaker could cause interference to or failure of the pacemaker.
15. Harbor Freight Tools can not guarantee accuracy of this device.
16. Check battery strength frequently, lower battery strength can affect the performance of this device.

NOTE: This wand is water resistant, but not water proof. If exposed to prolonged rain or wet conditions, it is likely to be damaged. Protect this tool from exposure to water, and wipe it off immediately if it becomes wet.

Warning: The warnings, cautions, and instructions discussed in this instruction manual cannot cover all possible conditions and situations that may occur. It must be understood by the operator that common sense and caution are factors which cannot be built into this product, but must be supplied by the operator.

Unpacking

When unpacking, check to make sure the following parts are included.

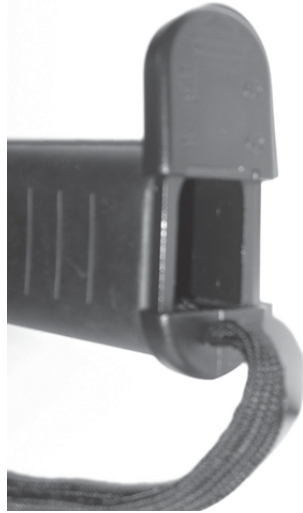
*Hand Held Metal Detector Wand
Carrying Case*

If any parts are missing or broken, please call Harbor Freight Tools at the number on the cover of this manual.

Operation

First install one 9 volt battery (not included).

1. Slide open the battery compartment cover, located at the base of the handle.
2. If there is an old battery in place, remove it. Insert one 9 volt battery (not included) into the battery compartment. Be sure that the polarity of the battery matches the correct poles marked "+" and "-". If the battery is installed improperly, the detector can be damaged.
3. Slide the battery compartment cover back in place. Be sure it is closed tight.



The battery compartment

NOTE: This hand wand metal detector has a low battery warning system.

When the battery starts to get low, the detector will make a "chirping" sound instead of the normal steady tone when encountering metal. Also, the LED light will flash on and off rapidly when near metal. In this situation, replace the battery.

NOTE: You may use rechargeable batteries with this detector (not included).

If using rechargeable Nickle-Cadmium battery, you may use a recharging unit (not supplied) plugged into the recharge jack.

WARNING: Do not attempt to recharge Alkaline or other non-rechargeable batteries; they may explode.

Basic operation of the hand wand metal detector:



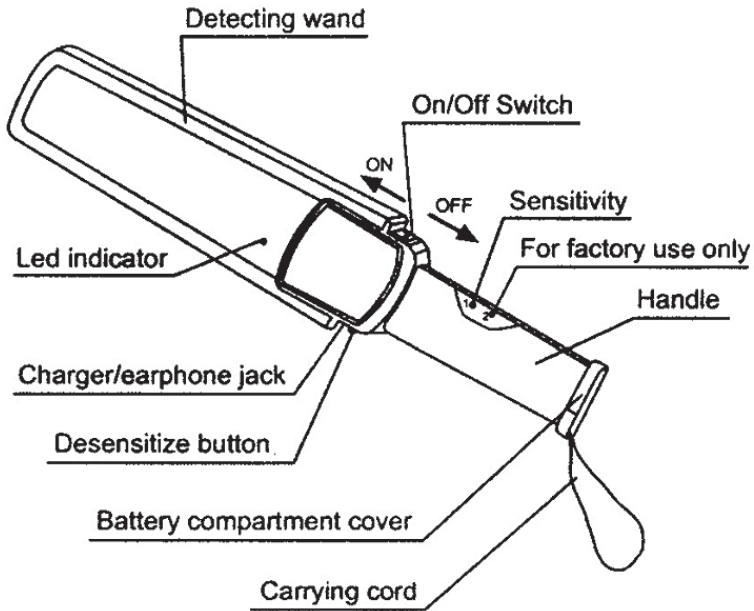
1. Slide the ON / OFF switch to the ON position to turn the detector on. Slide it to the OFF position to turn it OFF. When the detector is turned ON, it will “chirp” briefly.
2. When not in use, turn the switch to OFF to conserve battery life.
3. To detect metal, pass the scanner near the search area. If metal is detected, you will hear a high pitched tone, and the LED light will come on. The sound and light warnings will stop if the detector is moved away from the metal. The detector will emit a long tone for large objects and a short tone for small objects.

NOTE: Before using the detector, always test it by turning it on and scanning a small piece of metal, such as a coin. Be sure the warning sound is a smooth, continuous tone, and the light shines steadily. A chirping sound and flashing light indicate low battery strength. Replace the battery before using.

To adjust the detector sensitivity:

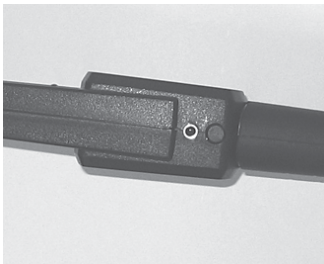
The detector is set to optimum sensitivity for most security scanning purposes. You can adjust the sensitivity for other applications or as needed.

1. Remove the rubber cover from the handle by sliding it off. You will see two small holes in the middle of the handle. Please refer to diagram on page 6.
2. Insert the tip of a small, flat blade screwdriver into the 1/8” hole. Turn it slightly to engage the adjustment screw inside. Do not adjust the fitting in the second hole, which is for factory use only.
3. Using a test object, adjust the control for the desired sensitivity. Turning the screw clockwise increases sensitivity. Turning the screw counterclockwise decreases sensitivity. While keeping the detector stationary at a specific distance from the test object adjust the screw until the alarm sounds. This is your desired sensitivity.
4. Replace the rubber cover on the handle.

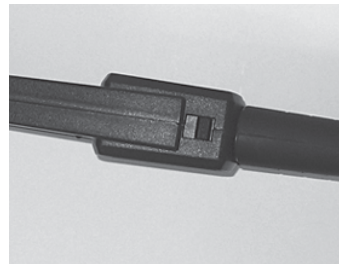


Using the Desensitize Button:

1. In some cases the detector will be too sensitive. You can decrease sensitivity by 50% by pressing and holding the Desensitize Button.



*Charger / Earphone Jack and
Desensitize Button*



ON / OFF switch

Using an earphone (not included):

1. For quiet operation, you can use an earphone (not included) that has a 1/8" jack. You can hear the alarm through the earphone. Insert the earphone jack in the plug in shown on page 6.
2. Using an earphone jack will silence the normal alarm sound.

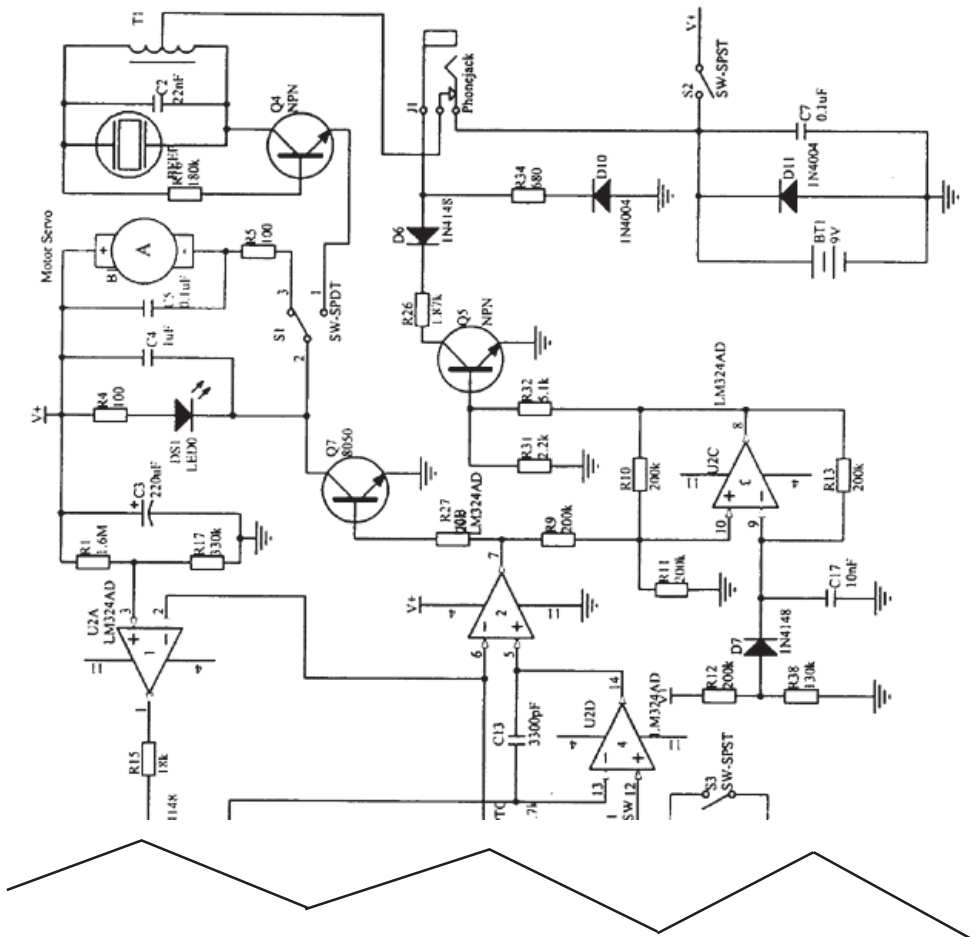
Maintenance

1. When not in use, turn the detector OFF to save the battery.
2. If the detector will not be used for several months, remove the battery before storage to prevent possible damage caused by leaking battery.
3. Keep the detector dry. If it gets wet, wipe it off immediately. Your detector is not designed for use in the rain or in a wet environment.
4. Handle the detector with care. If dropped, it can be damaged causing unreliable operation.
5. Do not expose the detector to extreme temperatures.
6. To clean the detector, wipe it with a damp cloth using clean water or mild detergent.
7. Modifying or tampering with the detector or adjusting the factory adjustment can damage the unit.

CAUTION: Do not open tool or attempt any repair. There are no owner repairable components in this tool. If repairs are needed, take this detector to a qualified service technician for service.

Schematic Diagram

TOP SECTION



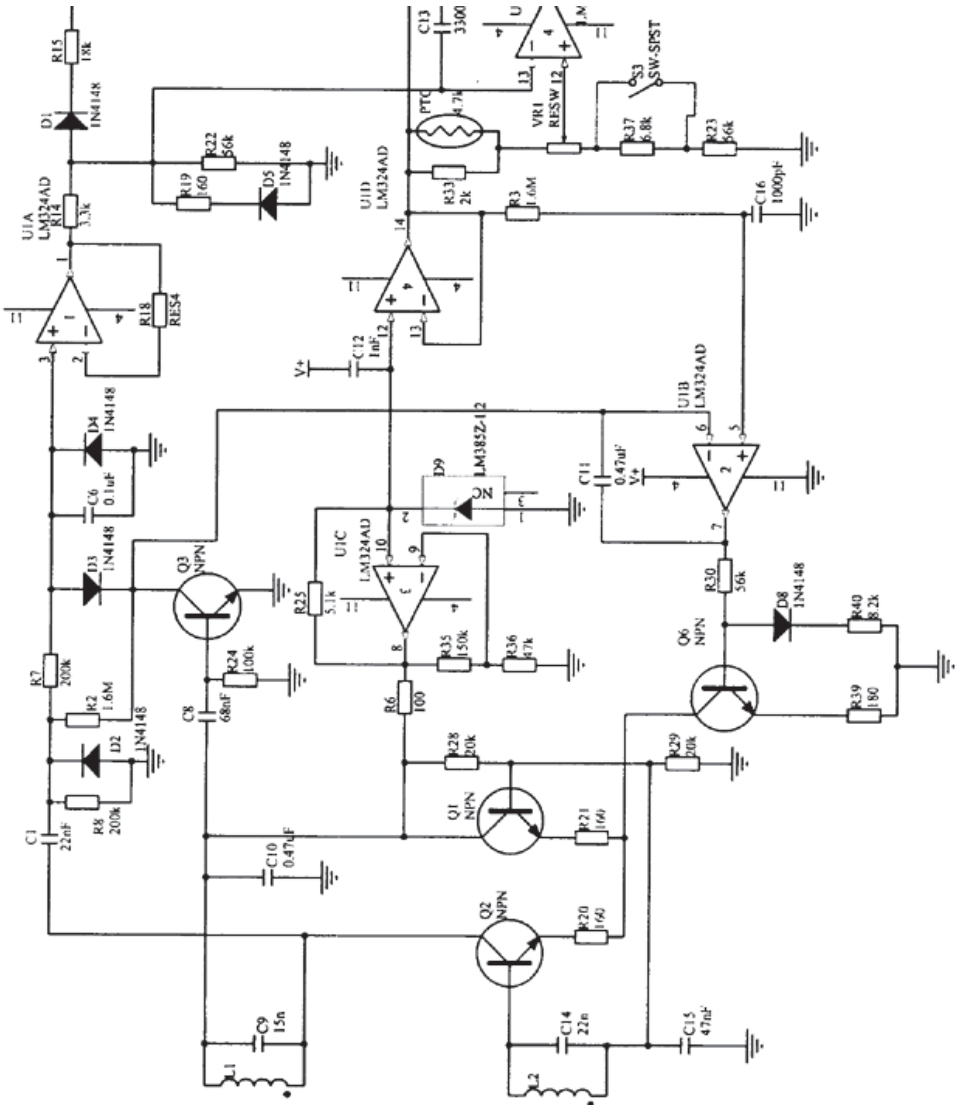
Bottom section on page 9.

NOTE: Replacement parts or accessories specific to this wand are not available from Harbor Freight Tools for this item. Replacement batteries, charger and ear jack may be available at your local Harbor Freight Tools retail outlet, or are commonly available from hardware and department stores.

Schematic Diagram (continued)

BOTTOM SECTION

Top section on page 8.



WARRANTY CARD

CEN-TECH LIMITED 1 YEAR WARRANTY

Harbor Freight Tools Co. makes every effort to assure that its products meet high quality and durability standards, and warrants to the original purchaser that this product is free from defects in materials and workmanship for the period of one year from the date of purchase. This warranty does not apply to damage due directly or indirectly to misuse, abuse, negligence or accidents; repairs or alterations outside our facilities; or to lack of maintenance. We shall in no event be liable for death, injuries to persons or property, or for incidental, contingent, special or consequential damages arising from the use of our product. Some states do not allow the exclusion or limitation of incidental or consequential damages, so the above limitation of exclusion may not apply to you.

To take advantage of this warranty, the product or part must be returned to us with transportation charges prepaid. Proof of purchase date and an explanation of the complaint must accompany the merchandise. If our inspection verifies the defect, we will either repair or replace the product at our election or we may elect to refund the purchase price if we cannot readily and quickly provide you with a replacement. We will return repaired products at our expense, but if we determine there is no defect, or that the defect resulted from causes not within the scope of our warranty, then you must bear the cost of returning the product.

This warranty gives you specific legal rights and you may also have other rights which vary from state to state.

3491 Mission Oaks Blvd. • P.O. Box 6009 • Camarillo, CA 93011 • (800) 444-3353

Free Manuals Download Website

<http://myh66.com>

<http://usermanuals.us>

<http://www.somanuals.com>

<http://www.4manuals.cc>

<http://www.manual-lib.com>

<http://www.404manual.com>

<http://www.luxmanual.com>

<http://aubethermostatmanual.com>

Golf course search by state

<http://golfingnear.com>

Email search by domain

<http://emailbydomain.com>

Auto manuals search

<http://auto.somanuals.com>

TV manuals search

<http://tv.somanuals.com>