

RADIO-CONTROLLED FAST CHARGE AIRPLANE

MODEL 95149 ASSEMBLY AND OPERATING INSTRUCTIONS



Due to continuing improvements, actual product may differ slightly from product described herein.

IF THE AIRPLANE SHOULD CRASH WHILE FLYING, THE WARRANTY IS VOIDED.



3491 Mission Oaks Blvd. Camarillo, CA 93011
Visit our Web site at <http://www.harborfreight.com>

Copyright© 2006 by Harbor Freight Tools®. All rights reserved. No portion of this manual or any artwork contained herein may be reproduced in any shape or form without the express written consent of Harbor Freight Tools.

For technical questions and replacement parts, please call 1-800-444-3353.

SPECIFICATIONS

Number of Wheels: 2 Front, 1 Rear
Signal: 26.995 mHz
Wingspan: 13-7/8"
Propeller Size: 2-3/8" Diameter
Overall Length: 11-1/2"
Overall Height: 4-1/4"
Wing Attachment: Snap-in
Charge Time: 3-5 minutes

Wheel Diameter: 3/4" Front, 5/16" Rear
Dual, Front Mounted DC Motors
Tail Wingspan: 5-7/8"
2-Channel Transmitter
Weight: 1-1/2 LBS.
Flight Time: 4-6 minutes
6-AA Batteries for Transmitter: (not included)
4-Cell Rechargeable Battery Pack for Airplane:
(included)

WARNINGS AND PRECAUTIONS GENERAL AND SPECIFIC TO THIS PRODUCT

1. **Do not let children use the Airplane without adult supervision.** Failure to do so could result in personal injury and/or property damage.
2. **For use outdoors only. Use in a large, flat, open area.** An empty or nearly empty playground would be a good place to fly this product. Be aware of people in the immediate vicinity in order to prevent possible injury. Be aware of buildings, trees, and other obstacles close by.
3. **Do not pick up the Airplane while it is motion.** The propellers on this Airplane revolve at high speed and could cut or harm a person, especially a child.
4. **Wear eye protection.** Always use ANSI-approved impact goggles when assembling, or flying this product.
5. **Check for damaged parts.** Check for any broken or damaged parts and any other conditions that may affect the operation of the Airplane. Replace or repair damaged or worn parts immediately using only a qualified repair facility.
6. **Do not use this product if under the influence of alcohol or prescription drugs of any type.** Doing so might hinder your judgment.
7. **Use only batteries of the type recommended.** Do not mix old and new batteries.
8. **Remove Batteries from both Fuselage and Transmitter if the Airplane is not to be used for a long period.**
9. **Never recharge non-rechargeable batteries.**
10. **Do not fly the Airplane if winds are above 10 MPH.**
11. **If two airplanes with the same radio frequency are used, (both with the same numbers on Transmitter and/or receiver), they must be at least 1640 feet away from one another.**

REV 01/07

SKU 95149 - For technical questions, please call 1-800-444-3353. Page 2

12. **Before flying:** Perform a distance check to be certain that you can maintain radio control at least 25' from Transmitter to Airplane with the Antenna collapsed.
13. **Do not trim the Airplane's Antenna.** Trimming the Antenna would affect the control range.
14. **NiCad Batteries must be disposed of properly.** Do not incinerate. Batteries may burst causing personal injury and/or property damage. Contact your local Hazardous Waste Disposal authority for proper disposal.

NOTE: The warnings, cautions, and instructions discussed in this instruction manual cannot cover all possible conditions and situations that may occur. It must be understood by the operator that common sense and caution are factors that cannot be built into this product but must be supplied by the operator.

SAVE THIS MANUAL

You will need this manual for the safety warnings and precautions, assembly, operating, inspection, maintenance and cleaning procedures, parts and assembly diagram. Keep your invoice with this manual. Write the invoice number on the inside of the front cover. Write the product serial number in the back of the manual near the assembly diagram, or write the month and year of purchase if the product has no serial number. Keep this manual and invoice in a safe and dry place for future reference.

UNPACKING

When unpacking, check to be sure all parts listed on page 7 of this manual are included. If any parts are missing or broken, please call Harbor Freight Tools® at 1-800-444-3353 as soon as possible.

Note: It is helpful to keep the Styrofoam container this Airplane comes in, and to replace all parts inside the container after flying. It is a good way to insure the product will be unbroken the next time it is used.

NOTE: READ ALL INSTRUCTIONS BEFORE USING THIS PRODUCT.

ASSEMBLY

1. Carefully push the Tail Landing Gear (6) into its slot, being careful not to prick a finger on the end of the gear wire. **See Figure 1.**

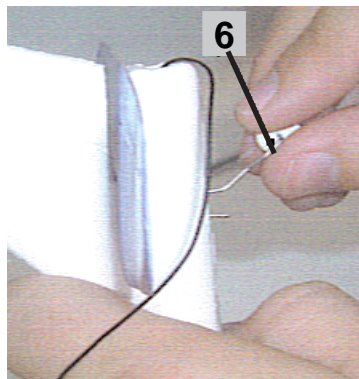


Figure 1

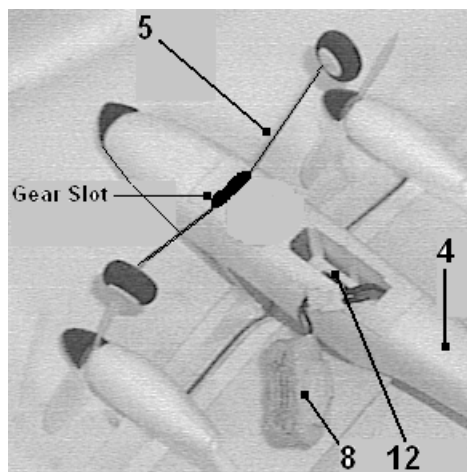


Figure 2

2. Hold the Fuselage (4) with the bottom side up in one hand and carefully push the Main Landing Gear (5) into the slot provided. Tuck Battery (8) into Battery Compartment (12) being careful to push Female Battery Connector (3B) towards the top of the Fuselage (4). **See Figure 2.**
3. Carefully snap Main Wing (1) onto Fuselage (4) at Attachment Points (11)* being careful to tuck the Male Battery Connector (3A) into the Connector Opening (10) located on the top section. Make sure to plug the Male Battery Connector (3A) into the Female Battery Connector (3B) before securing the Main Wing (1). **See Figures 3A and 3B.**

***NOTE:** The Main Wing (1) attaches to the Fuselage (4) by inserting the Button Fasteners (17) on the Main Wing into the Attachment Points (11) located on either side of the Connector Opening (10) on top of the Fuselage (4). Slide the Main Wing (1) forward to secure the attachment. (To remove the Main Wing (1) for storage, just reverse the process.) **See Figure 3A.**

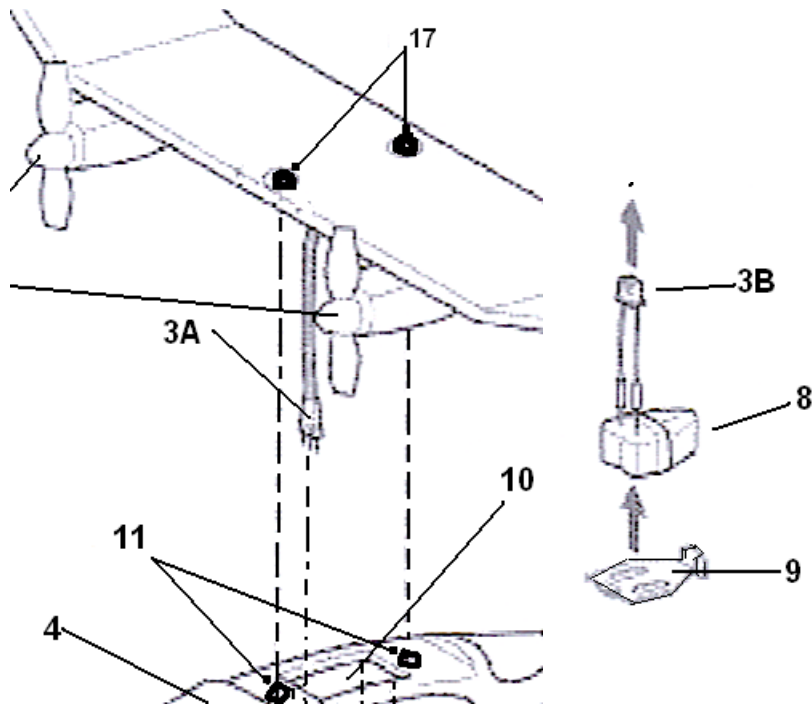
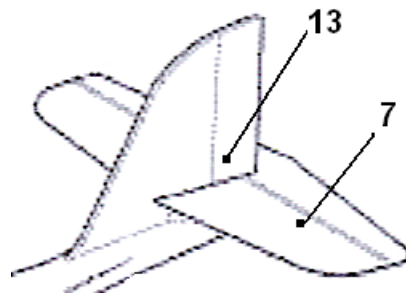


Figure 3A

Figure 3B

4. While holding the Fuselage (4) in one hand, gently slide the Tail Wing (7) into the slot on the Rudder (13) using an easy back and forth motion. See Figure 4.



5. Before Flight Test, cover the Fuselage Battery Compartment (12) with the Battery Compartment Cover (9).

TRANSMITTER/BATTERY CHARGER ASSEMBLY

1. Attach Antenna (14) by threading it into the top of the Transmitter/Battery Charger (15).
See Figure 5.
2. Note how the Female Battery Connector (3B) connects to the Transmitter/Battery Charger (15) in order to recharge. **See Figure 5.**

Figure 5

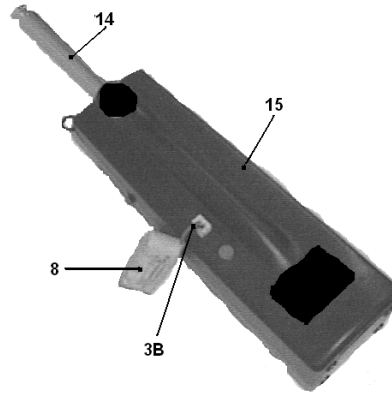


Figure 6



3. Remove Transmitter Battery Compartment Cover (16) from the bottom of the Transmitter and insert 6-AA Batteries being careful as to positive and negative positioning. **See Figure 6.**

BASIC OPERATION

Controls: This Airplane is intended for straight, level flight while allowing turns to the left and right using the Throttle Control buttons. When ready for flight, turn the Transmitter Power Switch to ON (see Figure 7). To apply thrust, press down the Throttle Control button (see Figure 7). To increase speed, keep the Throttle Control button pressed and move Throttle Direction Control forward; to decrease speed, move it back and lessen pressure on Throttle Control button. (see Figure 7).

Turning: Ease the Throttle Direction Control (Figure 7) to the left and the Airplane will turn to the left. Ease the Throttle Direction Control to the right and the Airplane will turn to the right.

Trim: Use gentle pressure on the trailing edge of the main wing or tail to bend slightly. If one should break accidentally, a simple fix is a small piece of clear tape. Trim just enough to insure a level, smooth flight.

Always turn off the Transmitter when done flying.

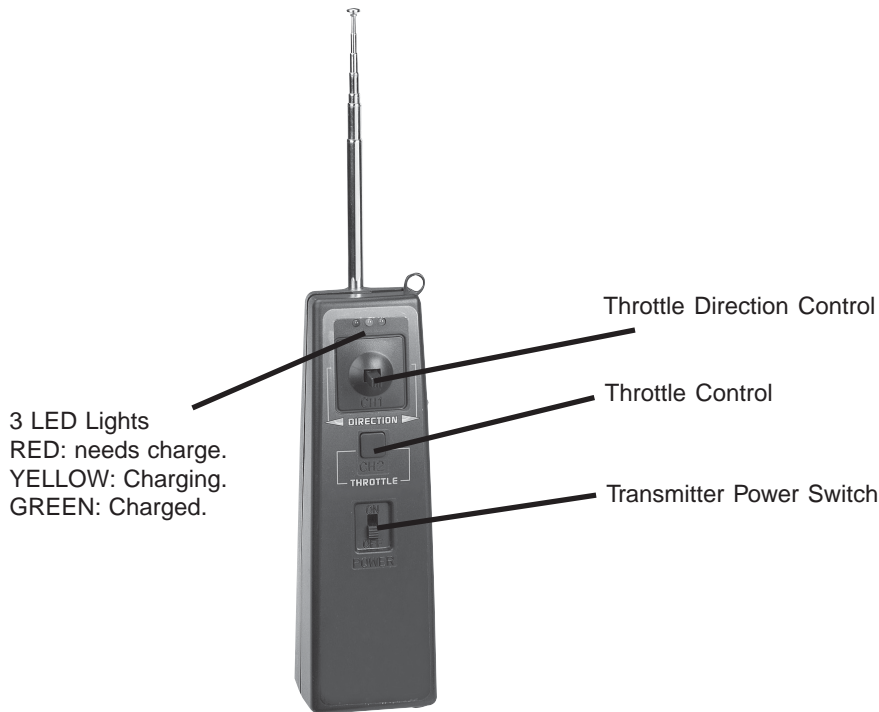


Figure 7

CHARGING

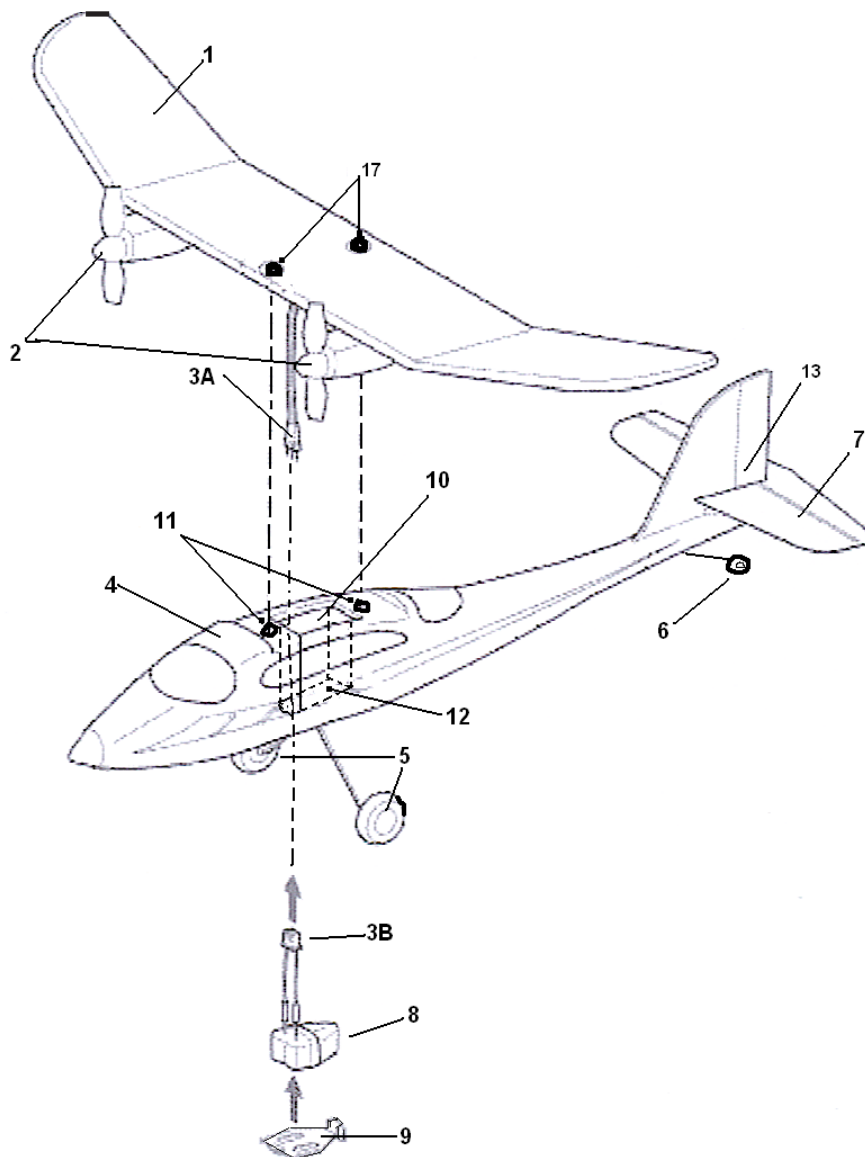
When the Red LED light flashes, it is time to recharge the batteries.

To charge Rechargeable Batteries: Turn the Transmitter Power Switch to OFF. Remove the Battery (8) through the bottom of the Fuselage (4). Plug the Female Battery Connector (3B) into the port on the back of the Transmitter/Battery Charger (15). See Figure 5. The Red LED will change to the Yellow LED while charging. When the Battery (8) is fully charged (3 to five minutes), the Green LED will come on steady. See Figure 7. Your Airplane is now charged and ready to fly again.

PARTS LIST

No#:	Description	Qty	No#	Description	Qty
1	Main Wing	1	9	Battery Compartment Cvr.	1
2	Motors w/Propellers	2	10	Connector Opening	1
3A	Male Battery Connector	1	11	Attachment Points	2
3B	Female Battery Connector	1	12	Battery Compartment	1
4	Fuselage	1	13	Tail Rudder	1
5	Main Landing Gear	1	14	Antenna	1
6	Tail Landing Gear	1	15	Transmitter/Battery Charger.	1
7	Tail Wing	1	16	Transmitter Battery	
8	Battery (Rechargeable)	1		Compartment Cover	1
			17	Button Fasteners	2

ASSEMBLY DIAGRAM



Part number 15, the Transmitter/Battery Charger and part number 16, the Transmitter Battery Compartment Cover are not shown in the above Assembly Diagram.

NOTE: Some parts are listed for illustration purposes only, and are not available individually as replacement parts.

ATTACH RECEIPT OR COPY OF RECEIPT TO THIS PAGE

Write Serial Number, if available, or Model Number and Purchase Date Here _____, _____.

Free Manuals Download Website

<http://myh66.com>

<http://usermanuals.us>

<http://www.somanuals.com>

<http://www.4manuals.cc>

<http://www.manual-lib.com>

<http://www.404manual.com>

<http://www.luxmanual.com>

<http://aubethermostatmanual.com>

Golf course search by state

<http://golfingnear.com>

Email search by domain

<http://emailbydomain.com>

Auto manuals search

<http://auto.somanuals.com>

TV manuals search

<http://tv.somanuals.com>