

MOUNTABLE WALL SINK

Model 90326

ASSEMBLY AND OPERATING INSTRUCTIONS



3491 Mission Oaks Blvd., Camarillo, CA 93011
Visit our Web site at <http://www.harborfreight.com>

Copyright © 2003 by Harbor Freight Tools®. All rights reserved. No portion of this manual or any artwork contained herein may be reproduced in any shape or form without the express written consent of Harbor Freight Tools.

For technical questions and replacement parts, please call 1-800-444-3353

Specifications

Overall Dimensions	34-1/4" W x 17-5/8" Deep x 17" H
Sink Capacity	10.5 Gallons
Spout	10" H - 8" Overhang
Weight	11.2 Lbs.
Hose Fitting	3/4"

Save This Manual

You will need the manual for the safety warnings and precautions, assembly instructions, operating and maintenance procedures, parts list and diagram. Keep your invoice with this manual. Write the invoice number on the inside of the front cover. Keep the manual and invoice in a safe and dry place for future reference.

Safety Warnings and Precautions

WARNING: When using product, basic safety precautions should always be followed to reduce the risk of personal injury and damage to equipment.

Read all instructions before using this product!

1. **Keep work area clean.** Cluttered areas invite injuries.
2. **Observe work area conditions.** Keep work area well lighted.
3. **Keep children away.** Children must never be allowed in the work area during assembly. Do not let them play in the sink as it will not support their weight.
4. **Store idle equipment.** Always keep sink accessories out of reach of children.
5. **Use the right tool for the job.** Do not attempt to force a small product or attachment to do the work of a larger industrial product. There are certain applications for which this product was designed. It will do the job better and more safely at the rate for which it was intended. Do not modify this product and do not use this product for a purpose for which it was not intended.
6. **Dress properly.** Do not wear loose clothing or jewelry as they can be caught in moving parts. Protective, electrically non-conductive clothes and non-skid footwear are recommended when working. Wear restrictive hair covering to contain long hair.
7. **Use eye protection.** Always wear ANSI approved impact safety goggles during assembly.
8. **Do not overreach.** Keep proper footing and balance at all times.
9. **Maintain tools with care.** Keep the sink and fixtures clean for better and safer performance. Follow instructions for changing accessories. Inspect hoses periodically, and if damaged, have them repaired by an authorized technician. The handles must be kept clean, dry, and free from oil and grease at all times.

10. **Stay alert.** Watch what you are doing, use common sense. Do not operate or assemble the Sink when you are tired.
11. **Check for damaged parts.** Before using any product, any part that appears damaged should be carefully checked to determine that it will operate properly and perform its intended function. Check for alignment and binding of moving parts; any broken parts or mounting fixtures; and any other condition that may affect proper operation. Any part that is damaged should be properly repaired or replaced by a qualified technician.
12. **Replacement parts and accessories.** When servicing, use only identical replacement parts. Use of any other parts will void the warranty. Only use accessories intended for use with this product. Approved accessories are available from Harbor Freight Tools.
13. **Do not operate the Sink if under the influence of alcohol or drugs.** Read warning labels if taking prescription medicine to determine if your judgment or reflexes are impaired while taking drugs. If there is any doubt, do not operate the product.
14. **Maintenance.** For your safety, service and maintenance should be performed regularly by a qualified technician.

Warning: The chrome covered copper tubing on the Faucet (**Spout (#6)**) is very delicate and should be handled with care. Do not lift or pull on the Faucet (**Spout (#6)**).

Warning: The warnings, cautions, and instructions discussed in this instruction manual cannot cover all possible conditions and situations that may occur. It must be understood by the operator that common sense and caution are factors which cannot be built into this product, but must be supplied by the operator.

Unpacking

When unpacking, check to make sure the parts listed on page 7 are included. If any parts are missing or broken, please call Harbor Freight Tools at the number on the cover of this manual as soon as possible.

WARNING: The brass components of this product contain lead, a chemical known to the State of California to cause birth defects (or other reproductive harm). (California Health & Safety code 25249.5, et seq.)

Assembly

FIGURE 1
(Overall view)

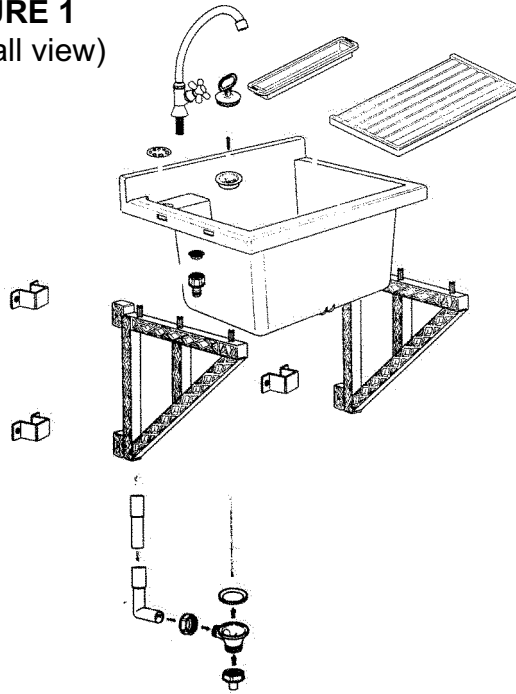
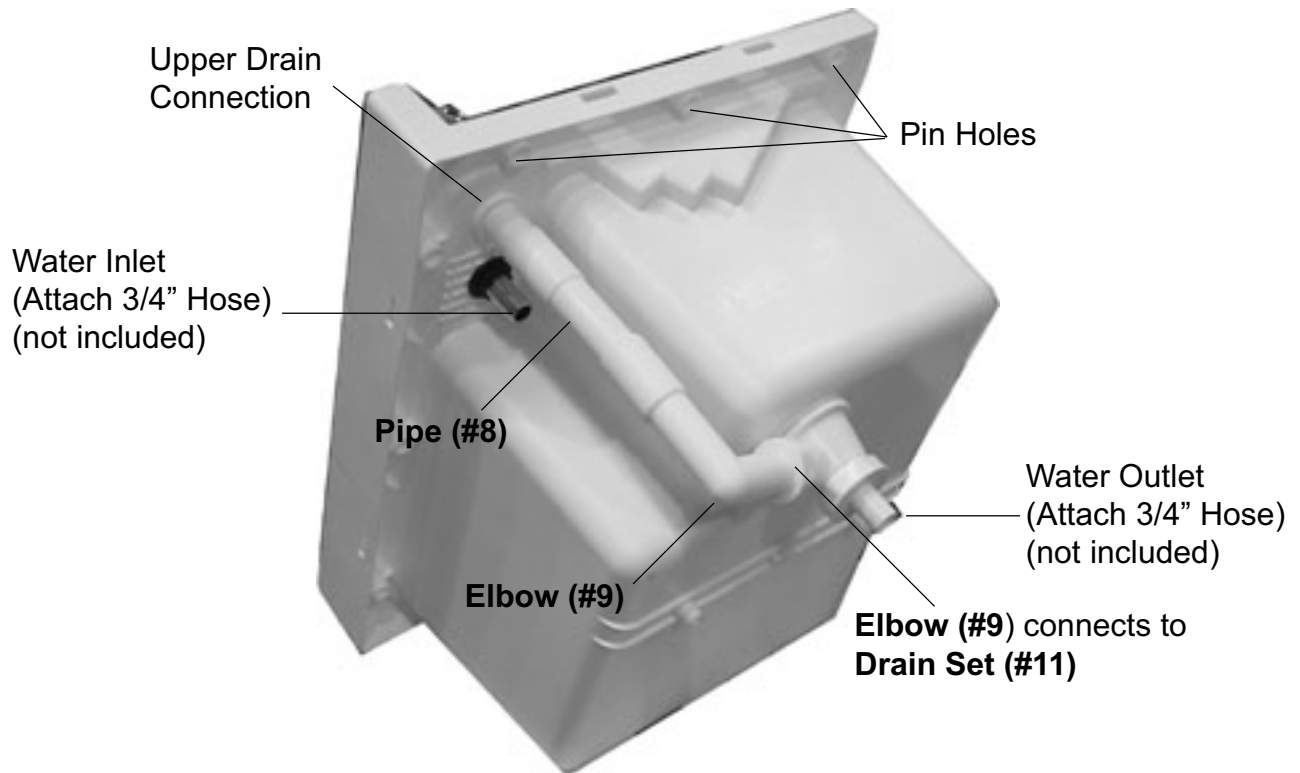


FIGURE 2



Assembly (continued)

Note: When deciding where to mount the sink, make sure the wall can handle the weight of the sink and at least the weight of 10.5 gallons of water (8 Lbs. per gallon). We recommend mounting into wall studs. Plan the Sink to be located near the water source.

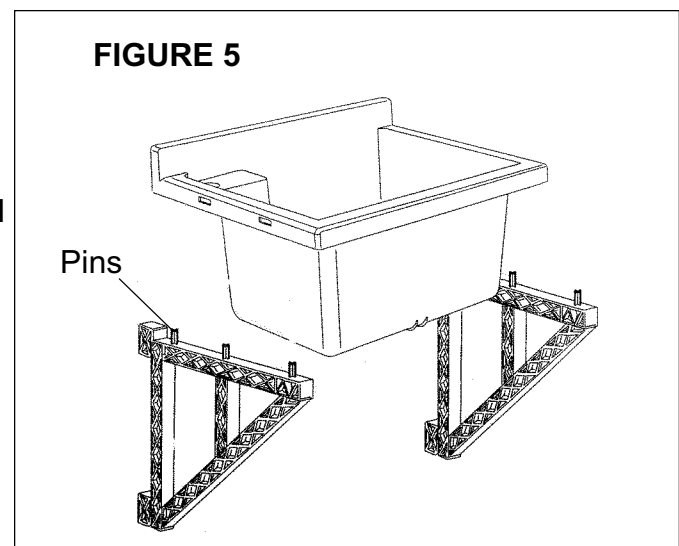
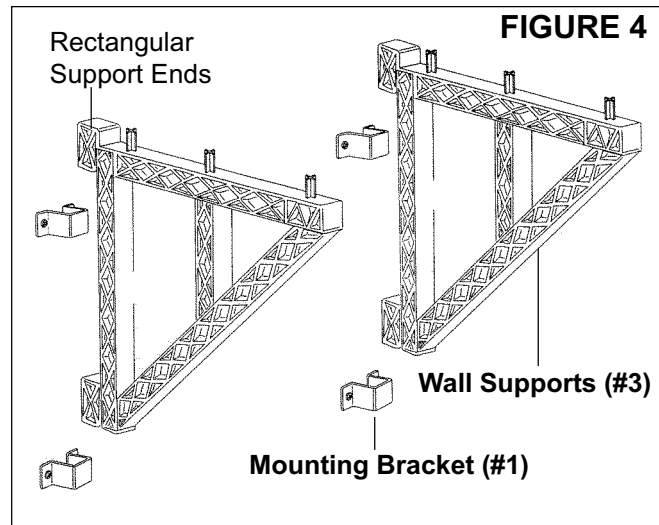
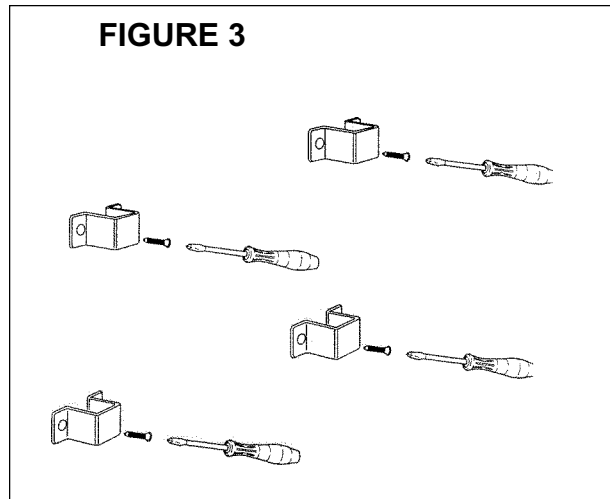
Refer to **FIGURES 1,2,3,4,5.**

1. Attach the two **Wall Supports (#3)** to the Sink by meshing together the Pins on the **Wall Supports (#3)** next to the Pin Holes on underside of each side of the Sink. See **FIGURE 2**. Once the Sink is fully attached to the **Wall Supports (#3)**, fit the four **Mounting Brackets (#1)** onto the Rectangular Support Ends on each **Wall Support (#3)**. The **Mounting Brackets (#1)** will fit into the gap between the Rectangular Support End and the vertical bar of the **Wall Support (#3)**. Hold the Sink, with the supports and brackets, up against the wall. Use a level to make sure the Sink is perpendicular to the ground, and mark where each screw hole on the **Mounting Brackets (#1)** should go. After marking your mounting spots, detach the Sink from the **Wall Supports (#3)**, and remove the **Mounting Brackets (#1)** from the **Wall Supports (#3)**.

2. Screw the **Mounting Brackets (#1)** to the wall (screws not included). See **FIGURE 3**.

3. Fit the four Rectangular Support Ends on each **Wall Support (#3)** into the gap between the Rectangular Support End and the vertical bar of the **Wall Support (#3)**. See **FIGURE 4**.

4. Fit the three Pins on each **Wall Support (#3)** to the Sink by meshing together the Pins on the **Wall Supports (#3)** with the corresponding Pin Holes on underside of each side of the Sink.

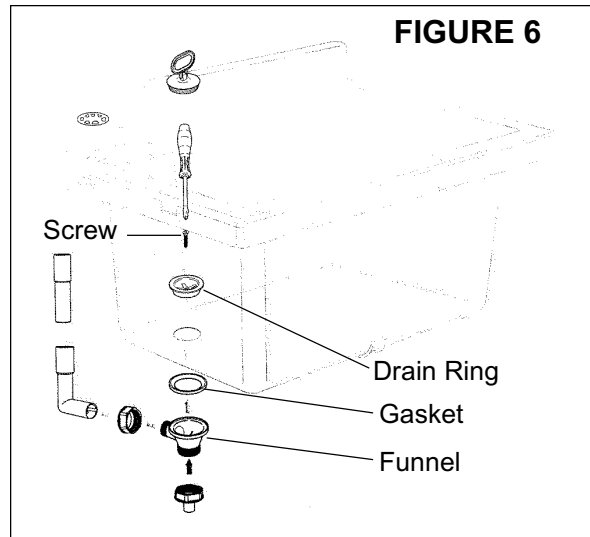


Assembly (continued)

5. To install the **Drain Set (#11)**: Set the Drain Ring into the hole in the Sink. Hold the Gasket and the Funnel under the Sink in position under the hole. Attach them with the screw. See **FIGURES 2** and **6**.

6. Attach the **Elbow (#9)** to the Funnel with the **Connector (#10)**. See **FIGURE 6**.

7. Attach the **Pipe (#8)** into the **Elbow (#9)** in the bottom, and the piece of pipe coming from the upper drain on the top. See **FIGURES 2** and **6**.



8. Set the **Spout (#6)** into the hole next to the upper drain and connect it under the Sink with the **Spout Connector (#6)**. Attach the **Intake Coupler (#12)** to the **Spout Connector (#6)**.

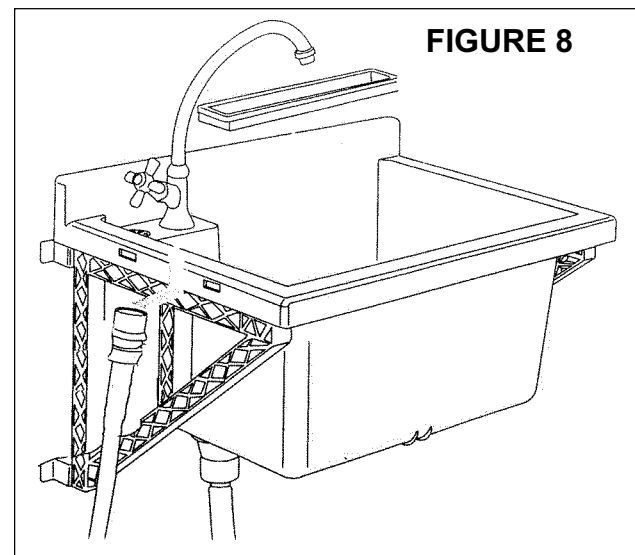
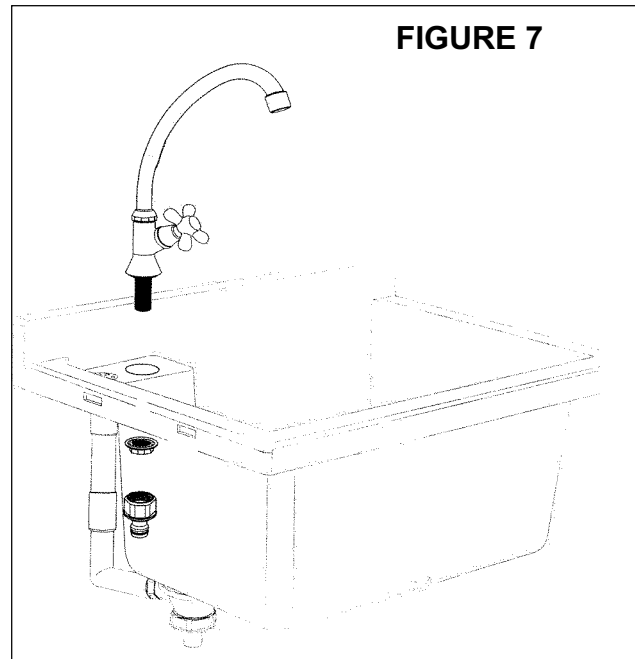
9. Attach a 3/4" hose (not included) to the threaded Water Inlet. See **FIGURE 2**. Attach a 3/4" hose using hose clamps (not included) to the Water Outlet. Route hose to your planned location for waste water exit.

10. Check the Sink and all the fittings for leaks and that it properly drains. Once you're sure that everything is satisfactory, the Sink is ready for use.

Note: The small tray and the washboard tray easily set in the top of the Sink when needed. See the cover photo.

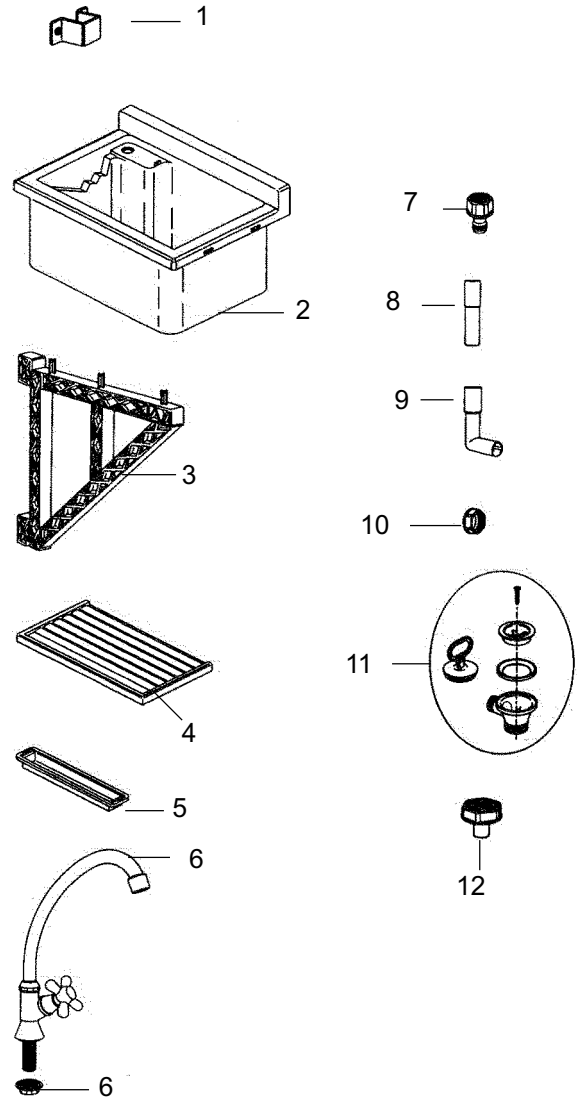
Maintenance

1. Periodically check that all of the connections are tight.
2. Keep the drain clear of all obstructions.



Parts List and Assembly Drawing

Part No.	Description	Qty.
1	Mounting Bracket	4
2	Sink	1
3	Wall Support	2
4	Washboard	1
5	Tray	1
6	Spout/Spout Connector	1 each
7	Hose Coupler	1
8	Pipe	1
9	Elbow	1
10	Connector	1
11	Drain Set	1
12	Inlet Coupler	1



PLEASE READ THE FOLLOWING CAREFULLY

THE MANUFACTURER AND/OR DISTRIBUTOR HAS PROVIDED THE PARTS DIAGRAM IN THIS MANUAL AS A REFERENCE TOOL ONLY. NEITHER THE MANUFACTURER NOR DISTRIBUTOR MAKES ANY REPRESENTATION OR WARRANTY OF ANY KIND TO THE BUYER THAT HE OR SHE IS QUALIFIED TO MAKE ANY REPAIRS TO THE PRODUCT OR THAT HE OR SHE IS QUALIFIED TO REPLACE ANY PARTS OF THE PRODUCT. IN FACT, THE MANUFACTURER AND/OR DISTRIBUTOR EXPRESSLY STATES THAT ALL REPAIRS AND PARTS REPLACEMENTS SHOULD BE UNDERTAKEN BY CERTIFIED AND LICENSED TECHNICIANS AND NOT BY THE BUYER. THE BUYER ASSUMES ALL RISK AND LIABILITY ARISING OUT OF HIS OR HER REPAIRS TO THE ORIGINAL PRODUCT OR REPLACEMENT PARTS THERETO, OR ARISING OUT OF HIS OR HER INSTALLATION OF REPLACEMENT PARTS THERETO.

NOTE: Some parts are listed and shown for illustration purposes only and are not available individually as replacement parts.

Free Manuals Download Website

<http://myh66.com>

<http://usermanuals.us>

<http://www.somanuals.com>

<http://www.4manuals.cc>

<http://www.manual-lib.com>

<http://www.404manual.com>

<http://www.luxmanual.com>

<http://aubethermostatmanual.com>

Golf course search by state

<http://golfingnear.com>

Email search by domain

<http://emailbydomain.com>

Auto manuals search

<http://auto.somanuals.com>

TV manuals search

<http://tv.somanuals.com>