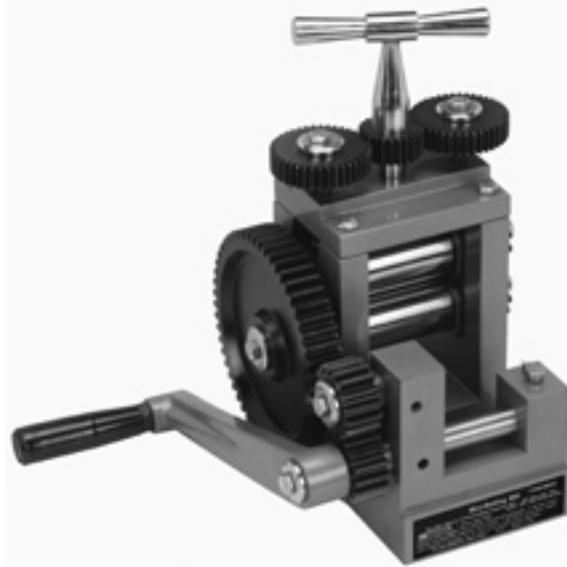


CENTRAL MACHINERY®

MINI ROLLING MILL WITH 5 ROLLERS

Model 4832

SET UP AND OPERATING INSTRUCTIONS



Diagrams within this manual may not be drawn proportionally.

Due to continuing improvements, actual product may differ slightly from the product described herein.

Distributed exclusively by Harbor Freight Tools®.

3491 Mission Oaks Blvd., Camarillo, CA 93011

Visit our website at: <http://www.harborfreight.com>



**Read this material before using this product.
Failure to do so can result in serious injury.
SAVE THIS MANUAL.**

Copyright© 2007 by Harbor Freight Tools®. All rights reserved. No portion of this manual or any artwork contained herein may be reproduced in any shape or form without the express written consent of Harbor Freight Tools.

For technical questions or replacement parts, please call 1-800-444-3353.

SAVE THIS MANUAL

Keep this manual for the safety warnings and precautions, assembly, operating, inspection, maintenance and cleaning procedures. Write the product's serial number in the back of the manual near the assembly diagram (or month and year of purchase if product has no number). Keep this manual and the receipt in a safe and dry place for future reference.



WARNING! Read all instructions. Failure to follow all instructions listed below may result in serious injury.

SAVE THESE INSTRUCTIONS

WORK AREA SAFETY

1. **Keep children and bystanders away while operating. Distractions can cause you to lose control.**
2. Keep work area clean and well lit. Cluttered or dark areas invite accidents.

PERSONAL SAFETY

1. **Wear ANSI-approved safety goggles, NIOSH-approved dust mask/ respirator, and heavy-duty work gloves during use and service.**
2. Stay alert and use common sense when operating. Do not use when tired or under the influence of drugs, alcohol or medication.
3. Dress properly. Do not wear loose clothing or jewelry. Keep your hair, clothing and gloves away from moving parts. Loose clothes, jewelry or long hair can be caught in moving parts.

PRODUCT USE AND CARE

1. **This product is not a toy. Keep it out of reach of children.**
2. Use the correct product for your application. The correct product will do the job better and safer at the rate for which it was designed. Do not modify this product or use it for a purpose for which it is not intended.
3. Check for misalignment or binding of moving parts, breakage of parts and any other condition that may affect the product's operation. If damaged, have the product repaired before use.
4. Use the product and accessories in accordance with these instructions and in the manner intended for the particular type of product, taking into account

the working conditions and the work to be performed. Use of the product for operations different from those intended could result in a hazardous situation.

SERVICE

1. Have product serviced by a qualified repair person using only identical replacement parts. This will ensure that the safety of the product is maintained.
2. Maintain labels and nameplates on the product. These carry important safety information. If unreadable or missing, contact Harbor Freight Tools for a replacement.

MISCELLANEOUS

1. Keep hands clear of the gears and rollers of the Rolling Mill.
2. Do not exceed the minimum or maximum gauge of wire or sheet stock listed for this product.
3. The warnings, precautions, and instructions discussed in this instruction manual cannot cover all possible conditions and situations that may occur. It must be understood by the operator that common sense and caution are factors which cannot be built into this product, but must be supplied by the operator.



SAVE THESE INSTRUCTIONS.

SPECIFICATIONS

Capacity	Wire - .031" to .197" Sheet - 35 Gauge to .079"
Gears	3:1 Gear Ratio
Includes	2 Smooth Rollers 1 Wire Roller 2 Pattern Rollers

UNPACKING

When unpacking, check to make sure that the item is intact and undamaged. If any parts are missing or broken, please call Harbor Freight Tools at the number shown on the cover of this manual as soon as possible.

SET UP INSTRUCTIONS



Read the **ENTIRE IMPORTANT SAFETY INFORMATION** section at the beginning of this manual including all text under subheadings therein before set up or use of this product.

Note: For additional information regarding the parts listed in the following pages, refer to the Assembly Diagram near the end of this manual.

Assembly

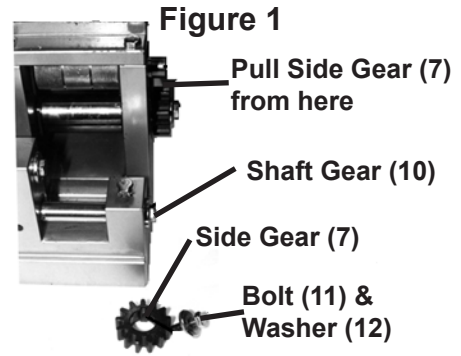
1. Remove the protective plastic coverings from all items including the attached Rollers.
2. Connect the Operating Handle (1) to the Shaft Gear (10) with Bolt (11) and Washer (12), as shown on the cover.
3. Slide the Working Handle (2) between the Right and Left Screw Gears (4,5) into the hole on top of the unit.

Mounting

1. The Mill must be mounted before use. Choose a work surface that is flat, level, and capable of bearing the weight of the Mill and workpieces.
2. Operating Handle must be positioned to rotate freely.
3. Using the Base of the Mill as a template, mark with a pencil where the holes need to be drilled. Verify that installation surface has no hidden utility lines before drilling.
4. Drill holes in the work surface and mount the Mill firmly using appropriate hardware (not included).

Inserting Rollers

1. Remove the uppermost Bolt (11) and Washer (12) from Side Gear (7).
2. Remove Side Gear located below Right Screw Gear (4). See Figure 1.
3. Remove Left Screw Gear (5) and Right Screw Gear (4) from the Mill body by turning counterclockwise.
4. Remove all four Bolts (11) from Cover (6) of the Mill. Pull Cover up and off.
5. With the Cover off, pull Roller and Plates (13) up and out of Mill.
6. Choose the correct Roller for the job.
7. Remove Plates from end of Roller that was in the machine and install on the end of the chosen Roller.
8. Slide Plates and desired Roller back down into Mill body. Attach the Side Gear. Place the Cover back on the unit.
9. Thread Bolt with Washer back into place on the body.



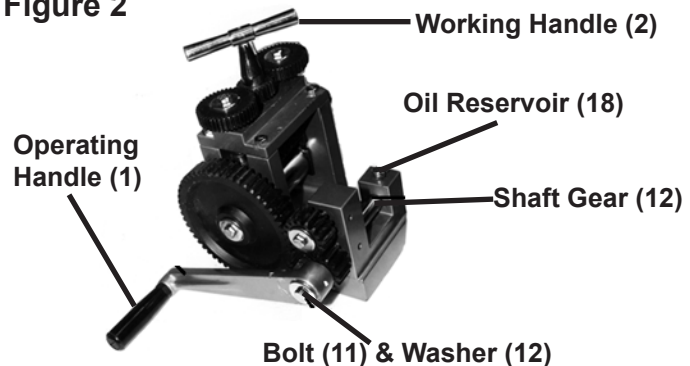
OPERATING INSTRUCTIONS



Read the **ENTIRE IMPORTANT SAFETY INFORMATION** section at the beginning of this manual including all text under subheadings therein before set up or use of this product.

1. Choose the desired Roller. The Mini-Rolling Mill comes with five different Rollers: two Smooth Rollers (15), two Pattern Rollers (17), and a Wire Roller (16). Choose the Roller with the pattern best suited to your workpiece. Install as directed in the Assembly section of this manual.
2. Fill the Oil Reservoir (18) with high quality light machine oil.

Figure 2



Caution. Keep hands clear of Gears and Rollers during operation. The Gears and Rollers can cause injury.

2. Turning the Working Handle will raise or lower the top roller, changing the amount of space between the Rollers. This will also determine the depth of indentation that is made by the Roller.
3. Insert the workpiece and turn the Operating Handle to pull it through the Rollers.
4. Clean, then store the product indoors, out of children's reach.

MAINTENANCE AND SERVICING

⚠ CAUTION

Damaged products can fail, causing personal injury. Do not use a damaged product. If abnormal noise or vibration occurs, have the problem corrected before further use.

Cleaning, maintenance, and lubrication

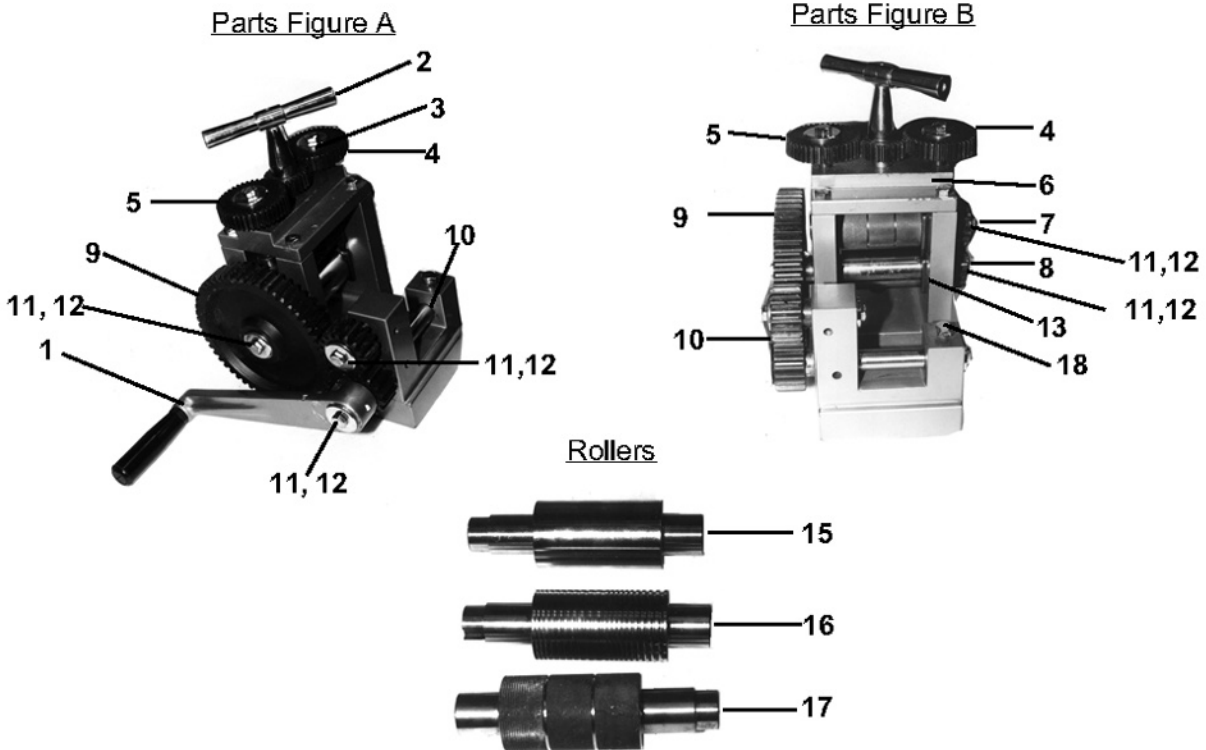
1. **BEFORE EACH USE**, inspect the general condition of the product. Check for loose screws, misalignment or binding of moving parts, cracked or broken parts, and any other condition that may affect its safe operation.
2. **AFTER USE**, clean external surfaces of the product with clean, moist cloth.

PLEASE READ THE FOLLOWING CAREFULLY

THE MANUFACTURER AND/OR DISTRIBUTOR HAS PROVIDED THE PARTS LIST AND ASSEMBLY DIAGRAM IN THIS MANUAL AS A REFERENCE TOOL ONLY. NEITHER THE MANUFACTURER OR DISTRIBUTOR MAKES ANY REPRESENTATION OR WARRANTY OF ANY KIND TO THE BUYER THAT HE OR SHE IS QUALIFIED TO MAKE ANY REPAIRS TO THE PRODUCT, OR THAT HE OR SHE IS QUALIFIED TO REPLACE ANY PARTS OF THE PRODUCT. IN FACT, THE MANUFACTURER AND/OR DISTRIBUTOR EXPRESSLY STATES THAT ALL REPAIRS AND PARTS REPLACEMENTS SHOULD BE UNDERTAKEN BY CERTIFIED AND LICENSED TECHNICIANS, AND NOT BY THE BUYER. THE BUYER ASSUMES ALL RISK AND LIABILITY ARISING OUT OF HIS OR HER REPAIRS TO THE ORIGINAL PRODUCT OR REPLACEMENT PARTS THERETO, OR ARISING OUT OF HIS OR HER INSTALLATION OF REPLACEMENT PARTS THERETO.

PARTS LIST & ASSEMBLY DIAGRAM

Part	Description	Qty	Part	Description	Qty
1	Operating Handle	1	10	Shaft Gear	1
2	Working Handle	1	11	Bolt	9
3	Handle Gear Screw	1	12	Washer	5
4	Right Screw Gear	1	13	Plates	2
5	Left Screw Gear	1	14	Plate Fitting	1
6	Cover	1	15	Smooth Roller (one shown)	2
7	Side Gear	1	16	Wire Roller	1
8	Side Gear	1	17	Pattern Roller (one shown)	2
9	Main Gear	1	18	Oil Reservoir	1



LIMITED 1 YEAR WARRANTY

Harbor Freight Tools Co. makes every effort to assure that its products meet high quality and durability standards, and warrants to the original purchaser that this product is free from defects in materials and workmanship for the period of one year from the date of purchase (90 days if used by a professional contractor or if used as rental equipment). This warranty does not apply to damage due directly or indirectly, to misuse, abuse, negligence or accidents, repairs or alterations outside our facilities, normal wear and tear, or to lack of maintenance. We shall in no event be liable for death, injuries to persons or property, or for incidental, contingent, special or consequential damages arising from the use of our product. Some states do not allow the exclusion or limitation of incidental or consequential damages, so the above limitation of exclusion may not apply to you. THIS WARRANTY IS EXPRESSLY IN LIEU OF ALL OTHER WARRANTIES, EXPRESS OR IMPLIED, INCLUDING THE WARRANTIES OF MERCHANTABILITY AND FITNESS.

To take advantage of this warranty, the product or part must be returned to us with transportation charges prepaid. Proof of purchase date and an explanation of the complaint must accompany the merchandise. If our inspection verifies the defect, we will either repair or replace the product at our election or we may elect to refund the purchase price if we cannot readily and quickly provide you with a replacement. We will return repaired products at our expense, but if we determine there is no defect, or that the defect resulted from causes not within the scope of our warranty, then you must bear the cost of returning the product.

This warranty gives you specific legal rights and you may also have other rights which vary from state to state.

3491 Mission Oaks Blvd. • PO Box 6009 • Camarillo, CA 93011 • (800) 444-3353

Record Product's Serial Number Here: _____

Note: If product has no serial number, record month and year of purchase instead.

Note: Some parts are listed and shown for illustration purposes only, and are not available individually as replacement parts.

Free Manuals Download Website

<http://myh66.com>

<http://usermanuals.us>

<http://www.somanuals.com>

<http://www.4manuals.cc>

<http://www.manual-lib.com>

<http://www.404manual.com>

<http://www.luxmanual.com>

<http://aubethermostatmanual.com>

Golf course search by state

<http://golfingnear.com>

Email search by domain

<http://emailbydomain.com>

Auto manuals search

<http://auto.somanuals.com>

TV manuals search

<http://tv.somanuals.com>