

CHICAGO

Electric[®] Power Tools

1" SDS ROTARY HAMMER

Model 41983

OPERATION INSTRUCTIONS



Due to continuing improvements, actual product may differ slightly from the product described herein.

Distributed exclusively by
Harbor Freight Tools[®].

3491 Mission Oaks Blvd., Camarillo, CA 93011

Visit our website at: <http://www.harborfreight.com>

**TO PREVENT SERIOUS INJURY, READ AND UNDERSTAND
ALL WARNINGS AND INSTRUCTIONS BEFORE USE.**

Copyright[®] 2000 by Harbor Freight Tools[®]. All rights reserved. No portion of this manual or any artwork contained herein may be reproduced in any shape or form without the express written consent of Harbor Freight Tools.

For technical questions or replacement parts, please call 1-800-444-3353.

Manual Revised 08/05; 09/06

SPECIFICATIONS

Motor	110 V~, 60 Hz, 620 W, n ₀ 750/min
Capacity	1"
Chuck Type	SDS
Rotation	Reversible
Cord	UL Listed with 2-Pole Polarized Plug
BPM	2920
Weight	10.5 lb.
Also Includes	Spanner, (4) SDS Drill Bits (10,12,14 and 22 mm), 4 Point Chisel, Depth Gauge Rod, Grease, and Carbon Brush Set



Save This Manual

You will need this manual for the safety warnings and precautions, assembly, operating, inspection, maintenance and cleaning procedures, parts list and assembly diagram. Keep your invoice with this manual. Write the invoice number on the inside of the front cover. Write the product's serial number in the back of the manual near the assembly diagram, or write month and year of purchase if product has no number. Keep this manual and invoice in a safe and dry place for future reference.

GENERAL SAFETY RULES

 **WARNING!**

READ AND UNDERSTAND ALL INSTRUCTIONS
Failure to follow all instructions listed below may result in
electric shock, fire, and/or serious injury.
SAVE THESE INSTRUCTIONS

WORK AREA

1. **Keep your work area clean and well lit.** Cluttered benches and dark areas invite accidents.
2. **Do not operate power tools in explosive atmospheres, such as in the presence of flammable liquids, gases, or dust.** Power tools create sparks which may ignite the dust or fumes.
3. **Keep bystanders, children, and visitors away while operating a power tool.** Distractions can cause you to lose control. Protect others in the work area from debris such as chips and sparks. Provide barriers or shields as needed.

ELECTRICAL SAFETY

1. **Grounded tools must be plugged into an outlet properly installed and grounded in accordance with all codes and ordinances. Never remove the grounding prong or**

modify the plug in any way. Do not use any adapter plugs. Check with a qualified electrician if you are in doubt as to whether the outlet is properly grounded. If the tools should electrically malfunction or break down, grounding provides a low resistance path to carry electricity away from the user.

2. **Double insulated tools are equipped with a polarized plug (one blade is wider than the other). This plug will fit in a polarized outlet only one way. If the plug does not fit fully in the outlet, reverse the plug. If it still does not fit, contact a qualified electrician to install a polarized outlet. Do not change the plug in any way.** Double insulation eliminates the need for the three wire grounded power cord and grounded power supply system.
3. **Avoid body contact with grounded surfaces such as pipes, radiators, ranges, and refrigerators.** There is an increased risk of electric shock if your body is grounded.
4. **Do not expose power tools to rain or wet conditions.** Water entering a power tool will increase the risk of electric shock.
5. **Do not abuse the Power Cord. Never use the Power Cord to carry the tools or pull the Plug from an outlet. Keep the Power Cord away from heat, oil, sharp edges, or moving parts. Replace damaged Power Cords immediately.** Damaged Power Cords increase the risk of electric shock.
6. **When operating a power tool outside, use an outdoor extension cord marked “W-A” or “W”.** These extension cords are rated for outdoor use, and reduce the risk of electric shock.

PERSONAL SAFETY

1. **Stay alert. Watch what you are doing, and use common sense when operating a power tool. Do not use a power tool while tired or under the influence of drugs, alcohol, or medication.** A moment of inattention while operating power tools may result in serious personal injury.
2. **Dress properly. Do not wear loose clothing or jewelry. Contain long hair. Keep your hair, clothing, and gloves away from moving parts.** Loose clothes, jewelry, or long hair can be caught in moving parts.
3. **Avoid accidental starting. Be sure the Power Switch is off before plugging in.** Carrying power tools with your finger on the Power Switch, or plugging in power tools with the Power Switch on, invites accidents.
4. **Remove adjusting keys or wrenches before turning the power tool on.** A wrench or a key that is left attached to a rotating part of the power tool may result in personal injury.
5. **Do not overreach. Keep proper footing and balance at all times.** Proper footing and balance enables better control of the power tool in unexpected situations.
6. **Use safety equipment. Always wear eye protection.** Dust mask, nonskid safety shoes, hard hat, or hearing protection must be used for appropriate conditions. Always wear ANSI-approved safety goggles and a dust mask/respirator when using or performing maintenance on this tool.

TOOL USE AND CARE

1. **Use clamps (not included) or other practical ways to secure and support the workpiece to a stable platform.** Holding the work by hand or against your body is unstable and may lead to loss of control.
2. **Do not force the tool. Use the correct tool for your application.** The correct tool will do the job better and safer at the rate for which it is designed. Do not force the tool and do not use the tool for a purpose for which it is not intended.
3. **Do not use the power tool if the Power Switch does not turn it on or off.** Any tool that cannot be controlled with the Power Switch is dangerous and must be replaced.
4. **Disconnect the Power Cord Plug from the power source before making any adjustments, changing accessories, or storing the tool.** Such preventive safety measures reduce the risk of starting the tool accidentally. **Always unplug the tool from its electrical outlet before performing any inspection, maintenance, or cleaning procedures.**
5. **Store idle tools out of reach of children and other untrained persons.** Tools are dangerous in the hands of untrained users.
6. **Maintain tools with care. Keep cutting tools sharp and clean.** Properly maintained tools with a sharp cutting edge are less likely to bind and are easier to control. Do not use a damaged tool. Tag damaged tools "Do not use" until repaired.
7. **Check for misalignment or binding of moving parts, breakage of parts, and any other condition that may affect the tool's operation. If damaged, have the tool serviced before using.** Many accidents are caused by poorly maintained tools.
8. **Use only accessories that are recommended by the manufacturer for your model.** Accessories that may be suitable for one tool may become hazardous when used on another tool.

SERVICE

1. **Tool service must be performed only by qualified repair personnel.** Service or maintenance performed by unqualified personnel could result in a risk of injury.
2. **When servicing a tool, use only identical replacement parts. Follow instructions in the "Inspection, Maintenance, And Cleaning" section of this manual.** Use of unauthorized parts or failure to follow maintenance instructions may create a risk of electric shock or injury.

SPECIFIC SAFETY RULES

1. **Hold tools by insulated gripping surfaces when performing an operation where the cutting tool may contact hidden wiring or its own cord.** Contact with a "live" wire will make exposed metal parts of the tool "live" and shock the operator.
2. **Wear ear protectors when using the tool for extended periods.** Prolonged exposure to high intensity noise can cause hearing loss.
3. **Maintain labels and nameplates on the tool.** These carry important information. If unreadable or missing, contact Harbor Freight Tools for a replacement.
4. **Maintain a safe working environment.** Make sure there is adequate surrounding workspace. Do not use this product in a damp or wet location.

5. **When using a handheld power tool, always maintain a firm grip on the tool with both hands to resist starting torque.** Always use the Auxiliary Handle to control kickback and torque reactions.
6. **Do not operate the Rotary Hammer if any of the following problems occur: Hammer is too hot, insulation is torn, frayed or missing or if excessive sparking occurs.**
7. **Move the Switching Knob (22) and Main Handle (91) only when the motor is stopped.** Attempting to move either one while the motor is engaged will result in abrupt bit rotation, and can cause serious personal injury and/or property damage.
8. **Do not allow the bit to stop while in the hole.** Remove the bit while it is still rotating. If the bit stops while in the hole, do not restart the Rotary Hammer. Remove the bit from the Hammer and then remove it from the material being worked on.
9. **Avoid unintentional starting.** Make sure you are prepared to begin work before turning on the tool.
10. **Always keep the extension cord away from moving parts on the tool.**
11. **WARNING!** People with pacemakers should consult their physician(s) before using this product. Electromagnetic fields in close proximity to a heart pacemaker could cause interference to or failure of the pacemaker. In addition, people with pacemakers should adhere to the following:
 - Avoid operating power tools alone.
 - Don't use a power tool with the power switch locked on.
 - If powered via a power cord be certain that the tool is properly grounded. A ground fault interrupt (GFCI) system is also a good precaution. This inexpensive device is a good safety measure because it prevents a sustained electrical shock.
 - Properly maintain and inspect all tools before use to avoid electrical shock.
12. **Never lay the tool down until it has come to a complete stop.** Moving parts can grab the surface and pull the tool out of your control.
13. **Never leave the tool unattended when it is plugged into an electrical outlet.** Turn off the tool, and unplug it from its electrical outlet before leaving.
14. **WARNING!** Some dust created by power sanding, sawing, grinding, drilling, and other construction activities, contain chemicals known (to the State of California) to cause cancer, birth defects or other reproductive harm.
Some examples of these chemicals are:
 - Lead from lead-based paints.
 - Crystalline silica from bricks and cement or other masonry products.
 - Arsenic and chromium from chemically treated lumber.Your risk from these exposures varies, depending on how often you do this type of work. To reduce your exposure to these chemicals: work in a well-ventilated area, and work with approved safety equipment, such as those dust masks that are specially designed to filter out microscopic particles. (California Health & Safety Code § 25249.5, *et seq.*)

Vibration Hazard

This tool vibrates during use. Repeated or long-term exposure to vibration may cause temporary or permanent physical injury, particularly to the hands, arms and shoulders. To reduce the risk of vibration-related injury:

1. Anyone using vibrating tools regularly or for an extended period should first be examined by a doctor and then have regular medical check-ups to ensure medical problems are not being caused or worsened from use. Pregnant women or people who have impaired blood circulation to the hand, past hand injuries, nervous system disorders, diabetes, or Raynaud's Disease should not use this tool. If you feel any medical or physical symptoms related to vibration (such as tingling, numbness, and white or blue fingers), seek medical advice as soon as possible.
2. Do not smoke during use. Nicotine reduces the blood supply to the hands and fingers, increasing the risk of vibration-related injury.
3. Wear suitable gloves to reduce the vibration effects on the user.
4. Use tools with the lowest vibration when there is a choice between different processes.
5. Include vibration-free periods each day of work.
6. Grip tool as lightly as possible (while still keeping safe control of it). Let the tool do the work.
7. To reduce vibration, maintain the tool as explained in this manual. If any abnormal vibration occurs, stop use immediately.

GROUNDING

⚠ WARNING

Improperly connecting the grounding wire can result in electric shock.



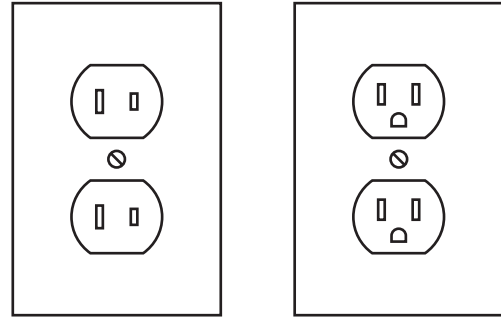
Check with a qualified electrician if you are in doubt as to whether the outlet is properly grounded. Do not modify the power cord plug provided with the tool. Never remove the grounding prong from the plug. Do not use the tool if the power cord or plug is damaged. If damaged, have it repaired by a service facility before use. If the plug will not fit the outlet, have a proper outlet installed by a qualified electrician.

Double Insulated Tools: Tools with Two Prong Plugs

Note: This tool has a two-prong plug.

1. Tools marked “Double Insulated” do not require grounding. They have a special double insulation system which satisfies OSHA requirements and complies with the applicable standards of Underwriters Laboratories, Inc., the Canadian Standard Association, and the National Electrical Code.

(See Outlets for 2-Prong Plug.)



Outlets for 2-Prong Plug

2. Double insulated tools may be used in either of the 120 volt outlets shown in the preceding illustration. **(See Outlets for 2-Prong Plug.)**




Extension Cords

1. **Grounded** tools require a three wire extension cord. **Double Insulated** tools can use either a two or three wire extension cord.
2. As the distance from the supply outlet increases, you must use a heavier gauge extension cord. Using extension cords with inadequately sized wire causes a serious drop in voltage, resulting in loss of power and possible tool damage. **(See Table A.)**
3. The smaller the gauge number of the wire, the greater the capacity of the cord. For example, a 14 gauge cord can carry a higher current than a 16 gauge cord. **(See Table A.)**
4. When using more than one extension cord to make up the total length, make sure each cord contains at least the minimum wire size required. **(See Table A.)**
5. If you are using one extension cord for more than one tool, add the nameplate amperes and use the sum to determine the required minimum cord size. **(See Table A.)**
6. If you are using an extension cord outdoors, make sure it is marked with the suffix “W-A” (“W” in Canada) to indicate it is acceptable for outdoor use.
7. Make sure the extension cord is properly wired and in good electrical condition. Always replace a damaged extension cord or have it repaired by a qualified electrician before using it.
8. Protect the extension cords from sharp objects, excessive heat, and damp or wet areas.

RECOMMENDED MINIMUM WIRE GAUGE FOR EXTENSION CORDS* (120/240 VOLT)					
NAMEPLATE AMPERES (at full load)	EXTENSION CORD LENGTH				
	25 Feet	50 Feet	75 Feet	100 Feet	150 Feet
0 – 2.0	18	18	18	18	16
2.1 – 3.4	18	18	18	16	14
3.5 – 5.0	18	18	16	14	12
5.1 – 7.0	18	16	14	12	12
7.1 – 12.0	18	14	12	10	-
12.1 – 16.0	14	12	10	-	-
16.1 – 20.0	12	10	-	-	-

TABLE A * Based on limiting the line voltage drop to five volts at 150% of the rated amperes.

Symbology

	Double Insulated	$V\sim$	Volts Alternating Current
	Canadian Standards Association	A	Amperes
	Underwriters Laboratories, Inc.	n_0 xxxx/min.	No Load Revolutions per Minute (RPM)

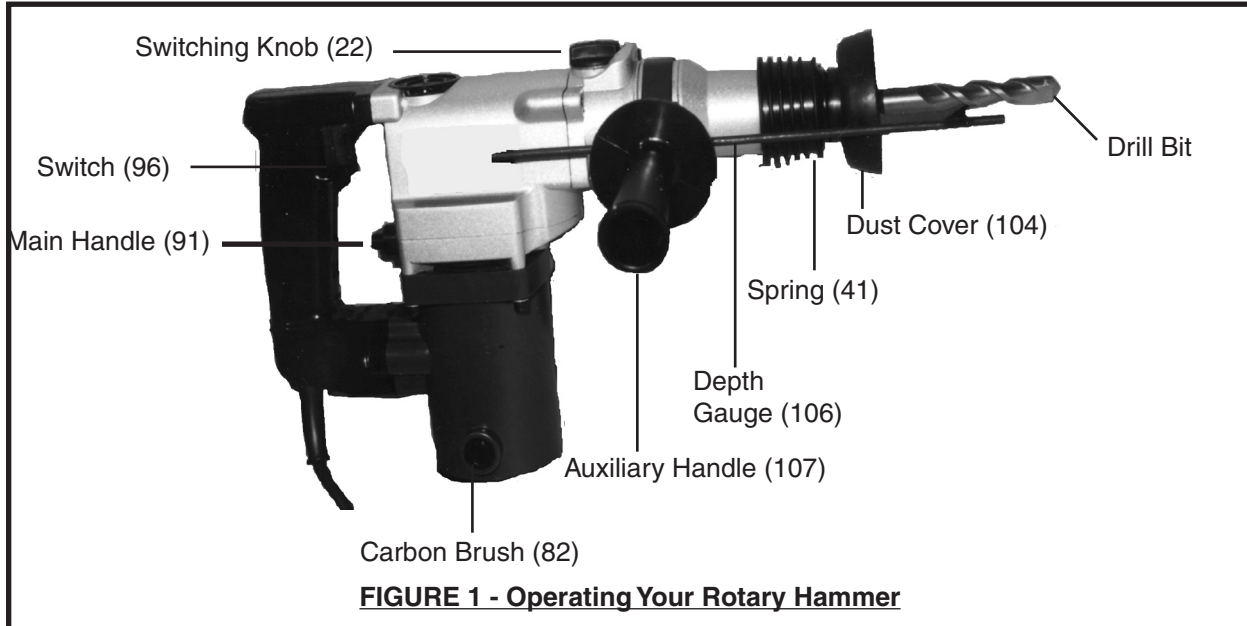
UNPACKING

When unpacking, check to make sure that the item is intact and undamaged. If any parts are missing or broken, please call Harbor Freight Tools at the number shown on the cover of this manual as soon as possible.

SETUP AND SETTINGS

The 1" Rotary hammer is designed to be used in the following applications:

- For drilling stone, concrete, and other hard and brittle materials.
- For chiseling.



See Figure 1 above to become familiar with the various features of the Rotary Hammer. A complete part number listing is shown on page 9. The complete Assembly Diagram is located on page 10.

Inserting and Removing Drill Bits

Warning: Always wear gloves to provide protection when inserting and removing drill bits. Drill bits become very hot in use. Do not remove drill bits until the bit has completely cooled off. Do not strike stuck bits with a hammer as metal chips may fly off. Always remove the electrical plug from the electrical outlet when inserting and removing bits and chisels.

1. Your Rotary Hammer comes with a Dust Cover (104). Slide the Dust Cover over the Front Cover (39).
2. Add a coating of grease or machine oil to the drill or bit shank.
3. Pull back on the Spring (41) - see Figure 1, while simultaneously inserting and turning the drill bit until it slides all the way in. Release the Spring (41) so that it returns to its original position. You should not be able to move the bit without pulling back on the spring again. Make certain the bit does not move, this will ensure that it is properly installed.
4. To remove the bit, pull back on the Spring (41) and pull out the bit.
For optimal performance, always keep bit and chisels properly sharpened.

Note: When drilling a hole larger than 1-1/4" diameter, always use a drill bit with 4 cutting edges.

Adjusting the Auxiliary Handle

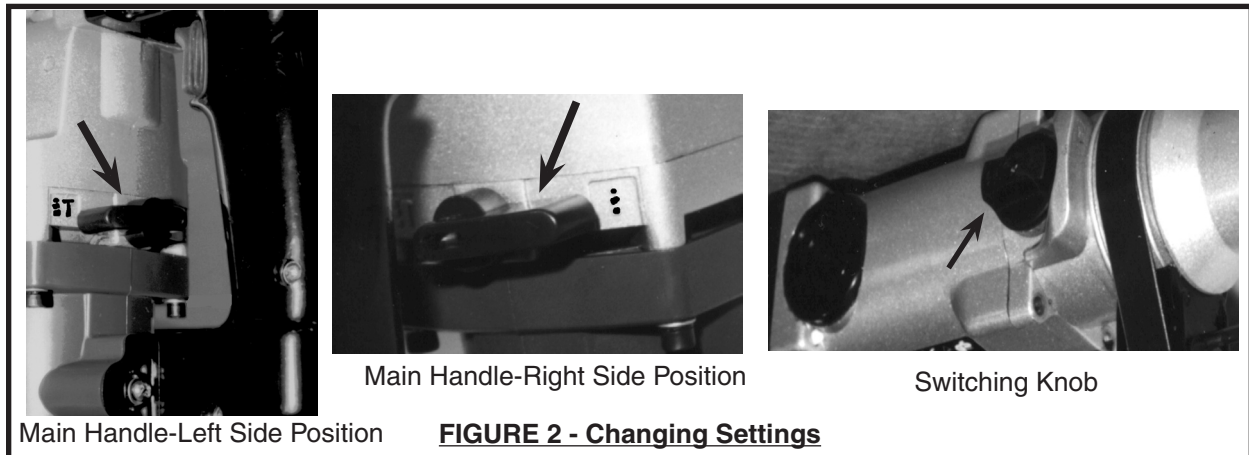
The Auxiliary Handle (107) can be placed into a variety of different positions.

To rotate the Auxiliary Handle (107), turn the Auxiliary Handle (107) counterclockwise to loosen the band and Foursquare Bolt (111). Once loosened, turn the Auxiliary Handle to the position desired. Turn the Handle clockwise to tighten into place.

Using the Depth Gauge

The Depth Gauge (106) can only be used if the Auxiliary Handle (107) is positioned on either side or the top of the Rotary Hammer. The body of the Hammer will interfere with the Depth Gauge if the handle is in the bottom position.

1. Loosen the Auxiliary Handle (107) by twisting the Handle counterclockwise.
2. Once the Auxiliary Handle (107) is sufficiently loose, pull back on the Handle Holder (108) until the hole in the Handle Holder (108) is fully open.



3. Slide the Depth Gauge (106) in to the desired length. The tip of the Depth Gauge on the front of the Hammer should be the desired depth of the hole to be drilled. The depth is from the tip of the bit to the tip of the Depth Gauge. For example for a 2" hole, measure 2" back from the tip of the bit. Position the front tip of the Depth Gauge at that spot (See Figure 1).
4. After the Depth Gauge (106) is positioned in the desired position, slide the Handle Holder (108) up and twist the Auxiliary Handle clockwise until tight. The Depth Gauge should be securely in position, and should not move.

Changing the Settings

- Your Rotary Hammer has both a Switching Knob (22) and a Main Handle (91) which must be adjusted before drilling, hammer drilling, or chiselling - see Figure 2.

Warning: Move the Switching Knob and Main Handle only when the motor is stopped.

Attempting to move either the Switching Knob or Handle while the motor is engaged will result in abrupt bit rotation and can cause serious personal injury and/or property damage.

Warning: When moving the Switching Knob and Handle, make sure both actively click into the desired position.

If not actively engaged, the Knob or Handle could slip out of position, resulting in unexpected tool performance.


- The front Switching Knob (22) has on one side- a symbol of a Hammer and a Drill. On the other side is a symbol of just a Hammer. The Main Handle (91) can be pointed either right or left. There are symbols for a Hammer and Drill on the left side and a symbol for a Drill only on the right side.
- **To drill only**, set the Switching Knob (22) so that the picture of the Hammer and Drill are facing forward. Turn the Main Handle (91) so that it points to the right at the Drill symbol (See Figure 2).
- **To Hammer Drill**, set the Switching Knob (22) so that the Hammer and Drill are facing forward. Turn the Main Handle (91) so that it points to the left at the Hammer and Drill symbol.
- **To Chisel**, set the Switching Knob (22) so that the picture of the Hammer only points forward. Turn the Main Handle (91) so that it points left to the Hammer and Drill symbol.

NOTE: Break Point (Bull) Bits and cold chisels are to be used when the Selector Switch is in the hammering position only. Using these bits/chisels with the Selector Switch in the hammer/drill position will result in unexpected tool performance.

OPERATION

1. Before plugging in the electrical cord, insert the desired bit and adjust the Auxiliary Handle and Depth Gauge to the desired positions (See earlier sections).
2. While keeping your finger off the "ON" trigger Switch (96), plug in the electrical cord.
3. When ready to use the Rotary Hammer, first depress the "ON" trigger Switch (96) and allow the unit to run without load for approximately one minute. This allows parts to become properly lubricated. Check to see if the operating tool sounds normal. Once the tool has been warmed up, it is ready for use.
4. To turn off the Rotary Hammer, release the trigger Switch (96).

INSPECTION, MAINTENANCE, AND CLEANING

1.  **WARNING!** Make sure the Power Switch of the tool is in its “OFF” position and that the tool is unplugged from its electrical outlet before performing any inspection, maintenance, or cleaning procedures.

2. **BEFORE EACH USE, inspect the general condition of the tool.** Check for loose screws, misalignment or binding of moving parts, cracked or broken parts, damaged electrical wiring, and any other condition that may affect its safe operation. If abnormal noise or vibration occurs, have the problem corrected before further use. **Do not use damaged equipment.**

3. **CLEANING:** Regularly clean the work surface with a dry brush or clean cloth. Keep moving parts lightly greased. Always keep the Motor and vent areas free of dust and debris.

4. **LUBRICATION:** Use the enclosed spanner wrench to unscrew the Seal Cap (18) located on top of the housing. Add the enclosed grease and replace and tighten the Seal Cap.

5. **CHANGING THE CARBON BRUSHES:**
 - a. Using a small standard screwdriver, remove the Brush Covers (81). When you remove the Brush Caps, the Carbon Brush Holder (83) may spring out. Do not lose the Carbon Brushes. If the Brush Holder does not spring out, gently remove it by using the tip of your screwdriver. Examine the surface of each brush. The surface should be smooth and clean. If scratch marks appear, or if the brush is broken, replace the brush immediately with an approved replacement brush from Harbor Freight Tools.
 - b. If the brush is not damaged but is only dirty, you may clean it off with a pencil eraser. Gently rub with the eraser until the dirt has been removed. Remove any eraser dust which may have accumulated during cleaning.
 - c. Re-install each Carbon Brush (82) by inserting it back into the Brush Holder (83). Screw the Brush Cover (81) back into the Brush Holder and tighten.

MAINTENANCE CHART				
Maintenance Type	Before Use	After Use	After Every 50 Hours of Use	After Every 100 Hours of Use
Inspect tool for damage	X			
Clean outside and lubricate exposed moving parts		X		
Lubricate*			X	
Replace Carbon Brushes				X

*The Rotary Hammer is pre-greased from the factory. Lubrication is only needed starting after approximately 50 working hours.

TROUBLESHOOTING

Problem	Possible Causes	Probable Solutions
Motor does not rotate switch on power supply.	<ol style="list-style-type: none"> 1. Disrupted power supply. 2. Poor contact at the switch. 3. Armature or field coil burnt. 4. Breakage of the Stator coil. 5. Carbon Brushes worn out. 	<ol style="list-style-type: none"> 1. Check power supply. 2. Repair switch. 3. Change coil. 4. Replace Stator Coil. 5. Replace Carbon Brushes.
Abnormal noise from motor; does not rotate or rotates slowly.	Overload of motor caused by excessive drilling depth or pressure.	Reduce drilling depth or pressure. Decrease force.
Partial short circuit	Partial short circuit or open circuit at Armature.	Repair or change Armature.
Main voltage too low	Main power voltage too low.	Adjust main power voltage.
Gearbox becomes too hot.	<ol style="list-style-type: none"> 1. Overload, dull bit. 2. Damp coils. 3. Incorrect fitting. 4. Decrease in voltage. 	<ol style="list-style-type: none"> 1. Reduce load, sharpen bit. 2. Dry coils. 3. Repair or change armature. 4. Adjust voltage.
Sparking	<ol style="list-style-type: none"> 1. Short circuit or break at Armature. 2. Surface of Armature not smooth and clean. 	<ol style="list-style-type: none"> 1. Repair Armature. 2. Inspect and clean Armature.

LIMITED 90 DAY WARRANTY

Harbor Freight Tools Co. makes every effort to assure that its products meet high quality and durability standards, and warrants to the original purchaser that this product is free from defects in materials and workmanship for the period of 90 days from the date of purchase. This warranty does not apply to damage due directly or indirectly, to misuse, abuse, negligence or accidents, repairs or alterations outside our facilities, criminal activity, improper installation, normal wear and tear, or to lack of maintenance. We shall in no event be liable for death, injuries to persons or property, or for incidental, contingent, special or consequential damages arising from the use of our product. Some states do not allow the exclusion or limitation of incidental or consequential damages, so the above limitation of exclusion may not apply to you. **THIS WARRANTY IS EXPRESSLY IN LIEU OF ALL OTHER WARRANTIES, EXPRESS OR IMPLIED, INCLUDING THE WARRANTIES OF MERCHANTABILITY AND FITNESS.**

To take advantage of this warranty, the product or part must be returned to us with transportation charges prepaid. Proof of purchase date and an explanation of the complaint must accompany the merchandise. If our inspection verifies the defect, we will either repair or replace the product at our election or we may elect to refund the purchase price if we cannot readily and quickly provide you with a replacement. We will return repaired products at our expense, but if we determine there is no defect, or that the defect resulted from causes not within the scope of our warranty, then you must bear the cost of returning the product.

This warranty gives you specific legal rights and you may also have other rights which vary from state to state.

3491 Mission Oaks Blvd. • PO Box 6009 • Camarillo, CA 93011 • (800) 444-3353

PARTS LIST

Part	Description	Q'ty
1	O-ring	1
2	Steel Ball	3
3	Cylinder	1
4	Feather Key	2
5	Piston	1
6	O-ring	1
7	Spring Holder	1
8	Spring	1
9	Clutch	1
10	Third Gear	1
11	O-ring	1
12	Piston	1
13	Connecting Shaft	1
14	Needle Bearing	1
15	O-ring	1
16	O-ring	1
17	Marking Plate	1
18	Oil-Sealing	1
19	Gear Housing	1
20	Name Plate	1
21	Screw M 4 x 8	1
22	Switching Knob	1
23	Spring	1
24	Steel Ball	1
25	Fixing Board	1
26	O-ring	1
27	Half-Circle Block	1
28	Screw M 3 X 8	2
29	Draw Shaft	1
30	Screw M5 x 25	4
31	Spring	4
32	Cylinder Case	1
33	Cylinder Cap	1
34	Oil Seal	1
35	Washer	1
36	Bearing	1
37	Distance Ring	1
38	Distance Cover	1

Part	Description	Q'ty
39	Front Cover	1
40	O-ring	1
41	Spring	1
42	Steel Column	2
43	Retainer Sleeve	1
44	O-ring	2
45	O-ring	2
46	Second Hammer	1
47	Spring	1
48	Name Plate	1
49	Oil Sealing Ring	1
50	Gear Balling	1
51	Distance Ring	1
52	Bearing	1
53	Spacer	1
54	Washer	2
55	Slip Plate	2
56	No. 2 Gear	1
57	Spring Washer	1
58	Special Nut	1
59	Bearing	1
60	Crank Shaft	1
61	Steel Ball	3
62	Bearing	1
63	Washer	1
64	Bearing Cover	1
65	Screw M5 X 60	2
66	No. 1 Gear	1
67	Washer	1
68	Spring	1
69	Clutch Shaft	1
70	Center Cover	1
71	Bearing	1
72	Armature	1
73	Fan Guide	1
74	Field Screw	2
75	Washer	2
76	Inductance	2

Parts List (continued)

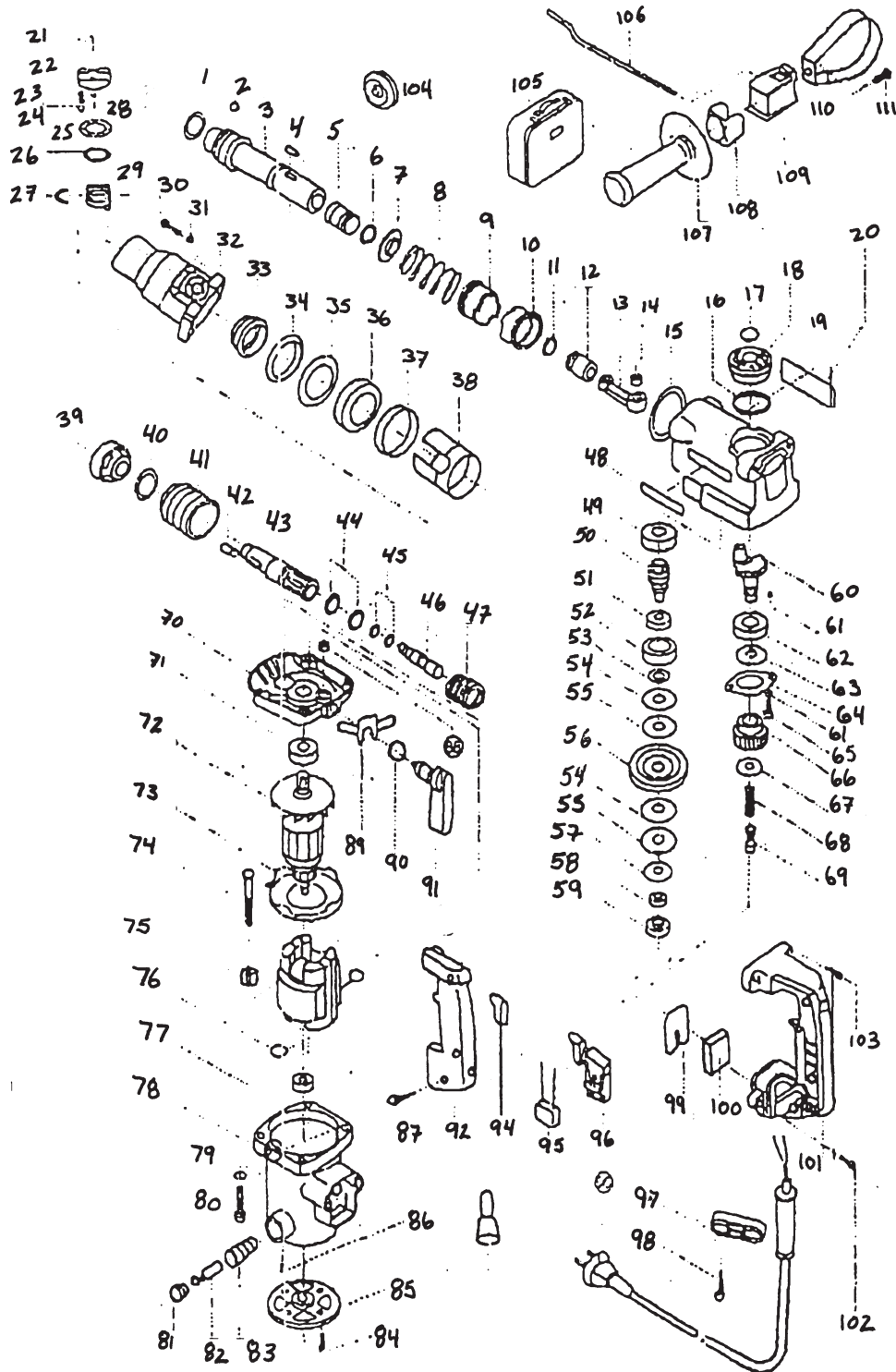
Part	Description	Q'ty
77	Bearing	1
78	Housing	1
79	Washer	4
80	Screw M5 x 50	4
81	Brush Cover	2
82	Carbon Brush	2
83	Brush Holder	2
84	Tapping Screw \$ x 16	2
85	Back Cover	1
86	Fixed Screw M5 X 6	2
87	Self Tapping Screw M4 X 23	3
88	Needle Bearing	1
89	Spring Holder	1
90	O-ring	1
91	Main Handle	1
92	Left Handle Cover	1
93	Insulating Sleeve	4
94	Switch Cover	1

Part	Description	Q'ty
95	Capacitor	1
96	Switch	1
97	Cord Pressing Board	1
98	Self Tapping Screw 4 X 16	2
99	Board	1
100	Handle Pad	1
101	Right Handle Cover	1
102	Self Tapping Screw 5 X 25	2
103	Screw M 5 X 25	2
104	Dust cover	1
105	Blow Box	1
106	Depth Gauge	1
107	Auxiliary Handle	1
108	Handle Holder	1
109	Handle Shaft	1
110	Pressing Board	1
111	Foursquare Bolt	1

PLEASE READ THE FOLLOWING CAREFULLY

THE MANUFACTURER AND/OR DISTRIBUTOR HAS PROVIDED THE PARTS LIST AND ASSEMBLY DIAGRAM IN THIS MANUAL AS A REFERENCE TOOL ONLY. NEITHER THE MANUFACTURER OR DISTRIBUTOR MAKES ANY REPRESENTATION OR WARRANTY OF ANY KIND TO THE BUYER THAT HE OR SHE IS QUALIFIED TO MAKE ANY REPAIRS TO THE PRODUCT, OR THAT HE OR SHE IS QUALIFIED TO REPLACE ANY PARTS OF THE PRODUCT. IN FACT, THE MANUFACTURER AND/OR DISTRIBUTOR EXPRESSLY STATES THAT ALL REPAIRS AND PARTS REPLACEMENTS SHOULD BE UNDERTAKEN BY CERTIFIED AND LICENSED TECHNICIANS, AND NOT BY THE BUYER. THE BUYER ASSUMES ALL RISK AND LIABILITY ARISING OUT OF HIS OR HER REPAIRS TO THE ORIGINAL PRODUCT OR REPLACEMENT PARTS THERETO, OR ARISING OUT OF HIS OR HER INSTALLATION OF REPLACEMENT PARTS THERETO.

ASSEMBLY DIAGRAM



Record Product's Serial Number Here: _____

Note: If product has no serial number, record month and year of purchase instead.

Note: Some parts are listed and shown for illustration purposes only, and are not available individually as replacement parts.

CHICAGO

Electric[®] Power Tools

1 " SDS MARTEAU ROTATIF

Modèle 41983

LES INSTRUCTIONS D'OPÉRATION



IMPORTANT!

Cette édition de langue française est une traduction du manuel anglais original accompagnant ce produit. Si une partie du manuel anglais original est inconsistante avec cette traduction, le manuel anglais original gouvernera.

Les diagrammes dans ce manuel ne pourraient pas être rendus proportionnellement. En raison des améliorations continuantes, le produit réel peut différer légèrement du produit décrit ici.

Distribué exclusivement par le Harbor Freight Tools[®].

3491 Mission Oaks Blvd., Camarillo, CA 93011

Visitez notre site Internet à: <http://www.harborfreight.com>



Lire ce matériau avant le fait d'utiliser ce produit. L'échec de faire ainsi peut s'ensuivre dans la blessure sérieuse. Sauver ce manuel.

Le copyright[®] 2000 par le Harbor Freight Tools[®]. Tous droits réservés. Aucune portion de ce manuel ou de n'importe quel travail d'art contenu ici ne peut être reproduite dans aucun forme ou manière sans le consentement écrit explicite de Harbor Freight Tools.

Pour les questions techniques ou les pièces détachées, appelez-vous s'il vous plaît 1-800-444-3353.

REV 07J

CARACTÉRISTIQUES

Moteur	110 V~, 60 Hz, 620 W, no 750/min
Capacité	1"
Type de Mandrin	SDS
Rotation	Réversible
Cordon	UL Listed avec Fiche polarisée à 2-Pole
BPM	2920
Poids	10.5 lb.
Aussi inclus	Clé (4) SDS Forets (10, 12, 14, et 22 mm), 4 Point Ciseau, Jauge de Profondeur, Graisse, et Les deux Balais de Carbone

GARDEZ CE GUIDE

Gardez ce guide pour les conseils de sécurités et précautions, assemblage, instructions d'utilisation, inspection, entretien et nettoyage, la liste des pièces et le schéma du produit. Gardez votre facture avec ce guide. Inscrivez le numéro à l'intérieur de la couverture. Gardez ce guide et facture dans un endroit sécuritaire et sec pour pouvoir le consulter à l'avenir.

REGLES DE SECURITE



AVERTISSEMENT!

LISEZ ET ASSUREZ-VOUS DE BIEN COMPRENDRE TOUTES LES INSTRUCTIONS.

Le non -respect des instructions ci -après peut entrainer un risque de choc électrique d'incendie et/ou de blessures graves.

GARDEZ CES INSTRUCTIONS

ESPACE DE TRAVAIL

1. **Assurez-vous que l'espace de travail est propre et bien éclairé.** Un établi encombré ou un endroit sombre est propice aux accidents.
2. **N'utilisez pas un outil électrique dans un environnement aux propriétés explosives, comme en présence de poussière, de liquides ou de gaz inflammables.** Les outils électriques produisent des étincelles qui peuvent enflammer les poussières ou les vapeurs.
3. **Gardez les spectateurs, les enfants et les visiteurs à l'écart pendant que vous utilisez l'outil.** Une distraction pourrait vous faire perdre la maîtrise de l'outil. Protégez des gens dans l'espace de travail de débris. Si nécessaire, construisez des barrières.

SÉCURITÉ ÉLECTRIQUE

1. **Les outils mis à la terre doivent être branchés dans une prise de courant correctement installée et mise à la terre conformément à tous les codes et règlements pertinents. Ne modifiez jamais la fiche de quelque façon que ce soit, par exemple en enlevant la broche de mise à la terre. N'utilisez pas d'adaptateur de fiche. Si vous n'êtes pas certain que la prise de courant est correctement mise à la terre, adressez-vous à un électricien qualifié.** En cas de défaillance ou de défektivité électrique de l'outil une mise à la terre offre un trajet de faible résistance à l'électricité qui autrement risquerait de traverser l'utilisateur.
2. **Les outils à double isolation sont munis d'une fiche polarisée (une lame est plus large que l'autre). Cette fiche s'enfonce d'une seule façon dans une prise de courant polarisée. Si la fiche ne s'insère pas à fond dans la prise de courant, inversez-la. Sinon, communiquez avec un électricien qualifié pour installer une prise de courant polarisée. Ne modifiez jamais la fiche.** La double isolation élimine le besoin d'utiliser un cordon d'alimentation à trois broches avec fil de mise à la terre et un circuit d'alimentation mis à la terre.
3. **Évitez tout contact du corps avec les surfaces reliées à la terre telles que tuyaux, radiateurs, cuisinières et réfrigérateurs.** Le risque de choc électrique est accru lorsque le corps est mis à la terre.
4. **N'exposez pas les outils électriques à la pluie ni à l'humidité.** Toute infiltration d'eau dans l'outil augmente les risques de choc électrique.
5. **Évitez l'emploi abusif du cordon. N'utilisez jamais le cordon pour transporter l'outil ou pour le débrancher de la prise de courant en tirant dessus. Tenez le cordon à l'écart de la chaleur, de l'huile, des arêtes vives et des pièces mobiles. Remplacez sans tarder un cordon endommagé.** Les risques de choc électrique augmentent lorsqu'un cordon est endommagé.
6. **Lorsque vous utilisez un outil électrique à l'extérieur, vous devez vous servir d'une rallonge électrique portant le symbole « W-A » ou « W ».** Ces cordons ont une tolérance appropriée à un usage extérieur et réduisent les risques de choc électrique.

SÉCURITÉ PERSONNELLE

1. **Soyez vigilant, surveillez ce que vous faites et faites preuve de bon jugement lorsque vous utilisez un outil électrique. Ne vous servez pas de l'outil lorsque vous êtes fatigué ou sous l'influence de la drogue, de l'alcool ou de médicaments.** Lorsque vous utilisez un outil électrique un moment d'inattention peut entraîner des blessures graves.
2. **Portez des vêtements appropriés. Ne portez pas de vêtements amples ni des bijoux. Attachez-vous les cheveux s'ils sont longs. Gardez vos cheveux, vos vêtements et vos gants éloignés des pièces mobiles.** Des vêtements amples,

des bijoux, ou des cheveux longs non retenus peuvent rester coincés dans les pièces mobiles.

3. **Évitez les démarrages accidentels. Assurez-vous que l'interrupteur se trouve à la position d'arrêt (OFF) avant de brancher l'outil.** Le fait de transporter l'outil en gardant le doigt sur l'interrupteur ou de le brancher alors que l'interrupteur est en position de marche (ON) peut provoquer un accident.
4. **Retirez les clés de réglage ou les autres clés avant de mettre l'outil en marche.** Le fait de laisser une clé quelconque en prise sur une pièce rotative de l'outil peut causer des blessures.
5. **Évitez tout état de déséquilibre.** Tenez-vous de façon stable et maintenez votre équilibre en tout temps pour vous permettre de garder la maîtrise de l'outil en cas d'imprévu.
6. **Utilisez l'équipement de sécurité. Portez toujours une protection oculaire.** Utilisez un masque anti-poussière, des chaussures de sécurité antidérapantes, un casque de sécurité ou un protecteur auditif, selon les stipulations. Lorsque vous utilisez cet outil, portez toujours des lunettes protectrices et un masque anti-poussière approuvée par ANSI.

UTILISATION ET ENTRETIEN DE L'OUTIL

1. **Utilisez des serre-joints (pas fournis) ou un autre moyen pratique de retenir et de soutenir la pièce à travailler sur une plate-forme stable.** Le fait de tenir la pièce à travailler avec une main ou contre votre corps constitue une situation instable qui pourrait vous faire perdre la maîtrise de l'outil.
2. **Ne forcez pas l'outil. Utilisez l'outil approprié à la tâche.** L'outil approprié fonctionne mieux et de façon plus sécuritaire. Respectez aussi la vitesse de travail qui lui est propre.
3. **N'utilisez pas l'outil si son interrupteur ne fonctionne pas normalement.** Un outil qui ne peut être contrôlé au moyen de son interrupteur est dangereux et doit être réparé.
4. **Débranchez la fiche de sa source d'alimentation avant de faire des réglages, de changer des accessoires ou de ranger l'outil.** De telles mesures préventives réduisent les risques de démarrage accidentel de l'outil. **Débranchez toujours l'outil de la prise de courant électrique avant d'y placer ou d'en enlever des pièces ou avant un nettoyage.**
5. **Rangez les outils non utilisés hors de la portée des enfants et des personnes inexpérimentées.** Les outils sont dangereux dans les mains d'un utilisateur inexpérimenté.
6. **Entretenez les outils avec soin. Gardez les accessoires de coupe propres et bien affûtés.** Des outils bien entretenus ayant des bords tranchants bien affûtés

n'ont pas tendance à bloquer et se maîtrisent plus facilement. N'utilisez pas l'outil endommagé. Faites étiqueter l'outil endommagé « N' UTILISEZ PAS » jusqu'à ce que vous le répare.

7. **Vérifiez si des pièces mobiles sont désalignées ou coincées, si des pièces sont endommagées ou toute autre situation pouvant nuire au bon fonctionnement de l'outil. Si l'outil est endommagé, faites-le réparer avant de vous en servir.** De nombreux accidents sont causés par des outils mal entretenus.
8. **Utilisez uniquement les accessoires recommandés par le fabricant.** Des accessoires convenant à un outil en particulier peuvent être dangereux s'ils sont utilisés avec un autre outil.

ENTRETIEN

1. **L'entretien de cet outil doit être effectué uniquement par une personne qualifiée.** Tout entretien réalisé par une personne non qualifiée peut entraîner des risques de blessures.
2. **Lors de l'entretien de l'outil, utilisez uniquement des pièces de rechange identiques à celles d'origine. Suivez les instructions décrites à la section d'inspection, entretien et nettoyage de ce guide.** L'utilisation de pièces non autorisées ou le non-respect des consignes d'entretien peut entraîner des risques de choc électrique ou de blessures.

HASARD DE VIBRATION

Cet instrument vibre pendant l'utilisation. Le contact répété ou à long terme à la vibration peut causer la blessure physique temporaire ou permanente, particulièrement aux mains, les bras et les épaules. Réduire le risque de blessure concernant la vibration:

1. Quelqu'un l'utilisation les instruments vibrant régulièrement ou pendant une période prolongée devraient d'abord être examinés par un docteur et avoir ensuite des contrôles médicaux réguliers pour garantir des problèmes médicaux n'est pas causé ou aggravé de l'utilisation. Les femmes enceintes ou les gens qui ont diminué la circulation sanguine à la main, les blessures passées de mains, les ennuis de santé de système nerveux, le diabète, ou la Maladie de Raynaud ne devraient pas utiliser cet instrument. Si vous sentez symptômes médicaux ou physiques rattachés à la vibration (comme le fait de picoter, l'engourdissement et les doigts blancs ou bleus), cherchez le conseil médical aussitôt que possible.
2. Ne fumez pas pendant l'utilisation. La nicotine réduit l'alimentation sanguine aux mains et aux doigts, en augmentant le risque de blessure concernant la vibration.
3. Portez des gants convenables pour réduire les effets de vibration sur l'utilisateur.

4. Utilisez des instruments avec la vibration la plus faible quand il y a un choix entre de différents processus.
5. Incluez des périodes sans vibration chaque jour du travail.
6. Tenez l'instrument si légèrement que possible (en en maintenant toujours le contrôle sûr). Permettez à l'instrument de faire le travail.
7. Pour réduire la vibration, maintenez l'instrument comme expliqué dans ce manuel. Si vibration anormale se produit, arrêtez l'utilisation immédiatement.

RÈGLES DE SÉCURITÉ SPÉCIFIQUES

1. **Lors de l'exécution d'une opération au cours de laquelle l'outil de coupe peut venir en contact avec les fils cachés ou son propre cordon, tenez l'outil par ses surfaces isolées de préhension.** Le contact avec un fil sous tension rendra les pièces métalliques exposées de l'outil sous tension et causera des chocs à l'opérateur.
2. **Portez des protège oreilles avec un marteau perforateur.** Une exposition au bruit peut provoquer une perte auditive.
3. **Entretenez les étiquettes et plaques signalétique qui paraissent sur votre outil.** Des informations importantes y paraissent. S'il manque de l'information ou si les informations sont mal écrites, communiquez avec Harbor Freight Tools pour faire remplacer l'outil.
4. **Maintenez l'aire de travail.** Assurez – vous que l'espace de travail est bien éclairé. Protégez l'outil des conditions mouillées.
5. **Toujours tenez solidement l'outil avec les deux mains pour le démarrer, car le couple du moteur pourrait vous l'arracher des mains.** Utilisez toujours La Manche Auxiliaire de contrôler des réactions de la couple.
6. **N'utilisez pas l'outil s'il est très chaud, s'il manque de l'isolation, si l'isolation est endommagée ou usé et si l'outil produit des étincelles.**
7. **Ne laissez pas d'arrêter le foret pendant qu'il est dans le trou.** Retirez le foret pendant qu'il tourne. Si le foret arrêt de tourner pendant qu'il soit dans le trou, ne remettez-la pas en marche. Retirez le foret du Marteau et puis retirez – le du matériau.
8. **Évitez les démarrages accidentels.** Assurez-vous que vous êtes prêt à travailler avant de mettre en marche l'outil.
9. **Tenez toujours le cordon à l'écart des pièces mobiles de l'outil.**
10. **Avertissement !** Consultez votre médecin avant d'utiliser cet outil si vous portez un stimulateur cardiaque. Le champ magnétique à proximité d'un cœur peut causer

du brouillage ou s'affaiblir le fonctionnement du stimulateur. En plus vous devriez respecter les suivants :

- Évitez d'Utiliser un outil tout seul
- Si câblé par un cordon d'alimentation, assurez –vous que l'outil est mise à la terre correctement. Un système « Ground Fault Interrupt » (GFCI) est une bonne précaution. Cet appareil ne coûte pas cher et est une manière d'éviter des blessures graves.
- Afin de éviter des chocs électriques, entretenez et inspectez toutes les outils avant de l'utiliser.

11. **Ne déposez jamais l'outil avant que le moteur ait complètement cessé de tourner.** Le moteur en rotation risque de causer des blessures.

12. **Lorsque l'outil est branché, ne laissez-le jamais sans surveillance.** Mettez l'interrupteur en position « arrêt » puis retirez la fiche de la prise avant de sortir.

13. **AVERTISSEMENT!** Certains outils, tels que les sableuses électriques, les scies, les meules, les perceuses ou certains autres outils de construction, peuvent soulever de la poussière contenant des produits chimiques susceptibles (en Californie) d'entraîner le cancer des malformations congénitales ou pouvant être nocifs pour le système reproductif. Parmi ces produits chimiques, on retrouve :

- le plomb dans les peintures à base de plomb;
- la silice cristalline dans les briques et le ciment et autres produits de maçonnerie;
- l'arsenic et le chrome dans le bois de sciage ayant subi un traitement chimique.

Le risque associé à telles expositions peut varier selon la fréquence avec laquelle on effectue ces travaux. Pour réduire l'exposition à de tels produits, il faut travailler dans un endroit bien ventilé et utiliser l'équipement de sécurité approprié, tel un masque anti poussière spécialement conçu pour filtrer les particules microscopique. (California Health & Safety Code § 25249.5, *et seq.*)

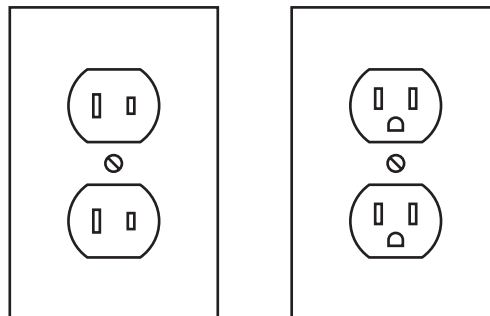
MISE À LA TERRE

AVERTISSEMENT!

Une mauvaise connexion du fil de terre de l'outil peut entraîner un risque de choc électrique. En cas de doutes, consultez un électricien qualifié ou une personne affectée à l'entretien. Ne modifiez pas la fiche de l'outil. Ne modifiez pas la fiche mise à la terre à trois broches. N'utilisez pas l'outil si le cordon d'alimentation ou la fiche est endommagé. S'il est endommagé le faites réparer dans un centre de service avant de l'utiliser.

LES OUTILS À DOUBLE ISOLATION: LES OUTILS AVEC FICHE À DEUX BROCHES

1. La double isolation élimine le besoin d'un cordon tri filaire mis à la terre et d'un système d'alimentation mise à la terre. Ils ont un système spécial double isolation qui se conforme aux exigences de OSHA et conforme aux normes de Underwriters Laboratories, Inc., de L'Association Canadienne de Normalisation et du Code Electrique National. (Voir L'IMAGE B.)
2. Les outils à double isolation peuvent être utilisé dans l'un ou l'autre de la prise de courant d'un circuit de 120 volts comme le montre l'illustration ci-dessus. (Voir L'IMAGE B.)



L'IMAGE B

CORDONS DE RALLONGE






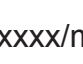
1. L'outil avec mise à la terre doit utiliser une rallonge à trois fils. Les outils a double isolation peuvent utiliser une rallonge à deux ou trois fils.
2. L'utilisation d'un cordon de calibre inférieur occasionne une baisse de tension entraînant une perte de puissance et la surchauffe. (Voir L'IMAGE C.)
3. Le calibre du fil est inversement proportionnel à sa grosseur. (Voir L'IMAGE C.)
4. Lorsque vous utilisez plus d'un cordon de rallonge pour longueur, assurez-vous que le calibre des fils des cordons convient à l'intensité du courant consommé par l'outil. (Voir L'IMAGE C.)
5. Si vous utilisez un cordon de rallonge pour multiples outils, mettez l'intensité nominale de la plaque signalétique et utiliser le somme de déterminer le calibre de cordon minimum requis. (Voir L'IMAGE C.)

6. Lorsque vous utilisez un outil électrique à l'extérieur, vous devez vous servir d'une rallonge électrique portant le symbole « W-A » ou « W ».au Canada. Ces cordons ont une tolérance appropriée à un usage extérieur.
7. Assurez-vous que la rallonge est bien câblée et en bon état. Si la rallonge est endommagée, remplacez-la ou faites-la réparer par un électricien qualifié avant de vous en servir.
8. La rallonge ne doit pas venir en contact avec des objets tranchants, être exposée à de la chaleur excessive ni être utilisée dans un endroit mouillé ou humide.

CALIBRE MINIMUM DES RALLONGES * (COURANT DE 120 OU 240 V SEULEMENT)					
L'INTENSITÉ NOMINALE (au maximum)	Longueur de la rallonge en pieds				
	25 pieds	50 pieds	75 pieds	100 pieds	150 pieds
0 – 2.0	18	18	18	18	16
2.1 – 3.4	18	18	18	16	14
3.5 – 5.0	18	18	16	14	12
5.1 – 7.0	18	16	14	12	12
7.1 – 12.0	18	14	12	10	-
12.1 – 16.0	14	12	10	-	-
16.1 – 20.0	12	10	-	-	-

L'IMAGE C *Basé sur limitant le volt du cordon, baissez à cinq volts à 150 % de l'intensité nominale.

SYMBOLES

	Construction de Classe 2
	Association Canadienne de Normalisation
	Underwriters Laboratories Inc.
	Volts
	Ampères
	Sous Vide xxxx/tours à la minute

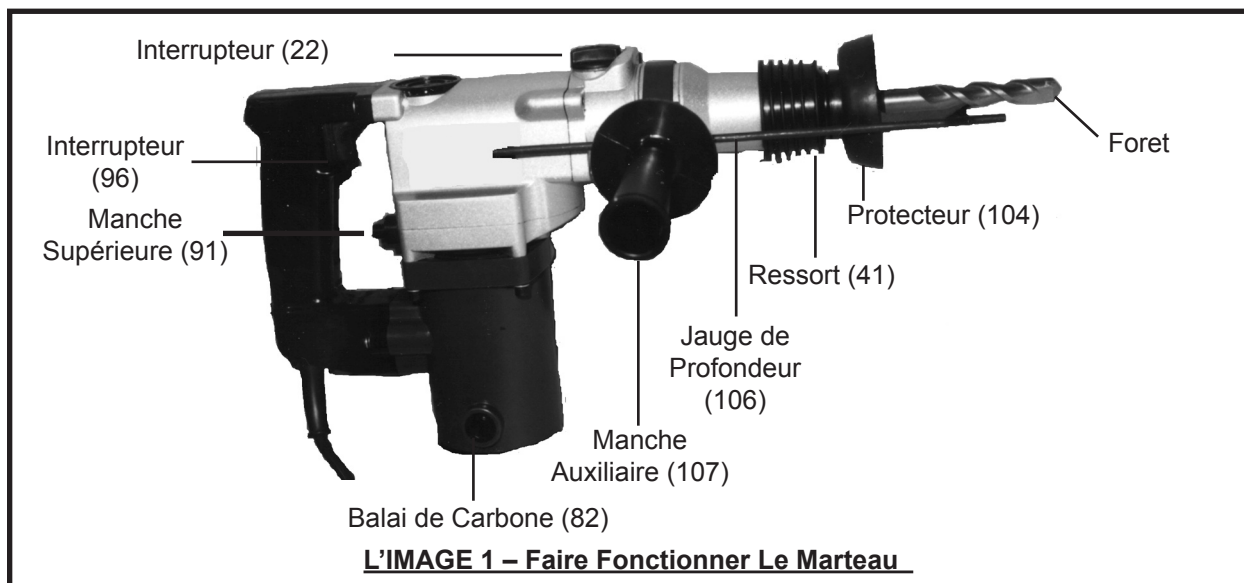
DÉBALLER

Lorsque vous déballez, assurez-vous que les pièces ne sont pas endommagées. S'il manque des pièces ou si des pièces sont endommagées, communiquez le plus vite possible avec Harbor Freight Tools au numéro qui figure sur la couverture de ce guide.

ASSEMBLER ET RÉGLAGE

Le 1" Marteau rotatif est conçu d'être utilisé dans l'application suivante :

- Pour perçage dans la pierre et dans la maçonnerie.
- Pour ciseler.



Voir L'IMAGE 1 au-dessus pour vous familiariser avec les caractéristiques divers de la marteau rotatif. Une liste complète de numéro de la pièce figure à la page 9. Le Schéma du Produit complet se figure à la page 10.

INSTALLATION ET RETRAIT DES FORETS

Avertissement : Lorsque vous installez et retirez des forets, portez toujours des gants pour vous protéger. Les forets peuvent devenir très chaudes lors de l'utilisation. Laissez bien refroidir les forets avant de les retirer. Ne frappez pas des forets coincés avec un marteau, ceci peut faire projeter des particules et entraîner des dommages. Débranchez toujours la prise de courant lorsque vous installez et retirez des forets et ciseaux.

1. Cet outil est muni d'Une Protecteur (104). Faites glisser la Protecteur sur la Couvercle à l'avant (39).
2. Ajutez une couche de graisse ou l'huile à la machine dans la perceuse ou dans la tige du foret.

3. Se retirez sur le Ressort (41) – voir L'IMAGE 1, pendant que vous insérez et tournez le foret jusqu'à ce qu'il glisse. Relâchez le Ressort (41) pour qu'il retourne à sa position originale. Ne devriez pas être pu déplacer le foret sans se retirez sur le ressort. Assurez – vous que le foret ne déplace pas, ceci s'assurera qu'il est bien installé.
4. Pour retirer le foret, retirez – vous sur le Ressort (41) et retirez le foret. Pour des performances optimales, gardez toujours le foret et ciseaux bien affûtes.

Remarque: Lorsque vous percez un trou plus grand que 1-1/4" diamètre, assurez – vous que vous utilisez un foret avec 4 tranchants.

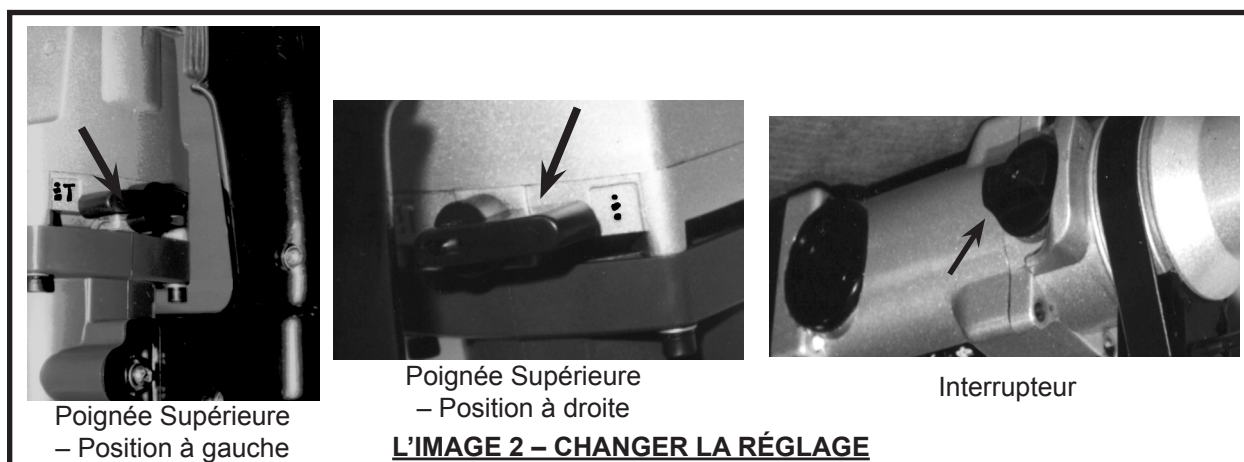
AJUSTER LA MANCHE AUXILIAIRE

La Manche Auxiliaire (107) peut être mis dans une variété de positions. Pour tourner la Manche Auxiliaire (107), tournez la Manche Auxiliaire (107) dans le sens des aiguilles d'une montre pour desserrer la bande et La boulon à quatre perpendiculaire (111). Une fois desserrée, tournez la Manche Auxiliaire à la position désiré. Pour serrer, tournez la manche vers le droit.

UTILISER LA JAUGE DE PROFONDEUR

La Jauge de Profondeur (106) peut être utilisé si la Manche Auxiliaire (107) est placé sur l'une ou l'autre côté ou le dessus de l'outil. Le corps de l'outil bloquera la Jauge de Profondeur si la manche est à la position inférieur.

1. Desserrez la Manche Auxiliaire (107) en tordant La Manche vers le droit.
2. Une fois La Manche Auxiliaire (107) est suffisamment desserré, retirez –vous sur Le Support de Manche (108) jusqu'à ce que le trou dans Le Support de Manche (108) est pleinement ouvert.



3. Glissez La Jauge de Profondeur (106) à la longueur désirée. La pointe de La Jauge de Profondeur à l'avant de l'outil doit être la profondeur désirée du trou pour être percé. La profondeur est de la pointe du foret jusqu'à la

pointe de La Jauge de Profondeur. Par exemple, pour un trou de 2 " mesurez 2 " de la pointe du foret. Placez la pointe à l'avant de La Jauge de Profondeur à cette position la. (Voir L'IMAGE 1).

- Après La Jauge de Profondeur (106) est placé dans la position désirée, glissez La Support de Manche (108) vers le haut et tordez La Manche Auxiliaire vers le droit jusqu'à ce qu'elle est serrée. La Jauge de Profondeur devrait être bien placée, et ne devrait pas déplacer.


CHANGER LA POSITION

- Le Marteau Rotatif a un Interrupteur (22) et une Poignée Supérieure (91) que doit être ajusté avant de percer, ou ciseler – voir L'IMAGE 2.
- L'Interrupteur à l'avant (22) a sur un côté- un symbole du Marteau et une Perceuse. Situé à l'autre côté est un symbole de juste un marteau. La Poignée Supérieure (91) peut être braqué à gauche ou à droite. Il y a des symboles pour un marteau et une perceuse à gauche et seulement un symbole pour une perceuse à droite.
- Pour percer, fixé L'Interrupteur (22) pour que l'image du Marteau et de la Perceuse soit tournée vers l'avant. Tournez La Poignée Supérieure (91) pour qu'elle tourné vers le droit au symbole de la perceuse (Voir L' Image 2).
- Pour percer avec le marteau, fixé L'Interrupteur (22) pour que le marteau et la perceuse soient tourné vers l'avant. Tournez La Poignée Supérieure (91) pour qu'elle soit tourné vers la gauche aux symboles du Marteau et de la perceuse.
- Pour ciseler, fixé L'Interrupteur (22) pour que seulement l'image du Marteau soit tourné vers l'avant. Tournez La Poignée Supérieure (91) pour qu'elle soit tourné vers la gauche au symbole du Marteau et la perceuse.

FONCTIONNEMENT

1. Avant de brancher le cordon électrique, insérez le foret désiré et ajustez La Manche Auxiliaire et Jauge de Profondeur à la position désirée (Voir les sections précédent).
2. En gardant votre doigt à l'écart de L'Interrupteur « ON » (96), branchez le cordon électrique.
3. Lorsque vous êtes prêt à utiliser Le Marteau Rotatif, enfoncez L'Interrupteur « ON » (96) et faites fonctionner l'outil sans charge pendant environ une minute. Ceci permet les pièces pour être correctement lubrifié. Vérifiez si l'outil fonctionne bien. Une fois l'outil est réchauffé, il est prêt pour utilisation.
4. Pour débrancher le Marteau Rotatif, relâchez L'Interrupteur (96).

INSPECTION, ENTRETIEN ET NETTOYAGE

1.  ATTENTION ! Assurez – vous que L'Interrupteur est réglé à « OFF » et que l'outil est débranché de la prise de courant électrique avant d'y placer ou d'en enlever des pièces ou avant un nettoyage.
2. AVANT CHAQUE UTILISATION, vérifiez l'état de l'outil. Vérifiez si des pièces mobiles sont désalignées ou coincées, si des pièces sont endommagées ou toute autre situation pouvant nuire au bon fonctionnement de l'outil. Si l'outil est endommagé, faites-le réparer avant de vous en servir. Ne utilisez pas votre outil si une pièce est endommagée.
3. NETTOYAGE : Nettoyez régulièrement l'aire de travail avec une brosse sec ou un chiffon propre. Gardez les pièces mobiles légèrement huilées. Conservez toujours le moteur et les conduits libres de poussière et de débris.
4. LUBRICATION : Utilisez la clé anglaise dans cette trousse de desserrer Le Capuchon Plombé (18) situé au dessus du boîtier. Ajuté l'huile inclus dans cette trousse et remplacez et serrez Le Capuchon Plombé.
5. CHANGER LES BALAIS DE CARBONE:
 - a. En utilisant un petit tournevis, retirez La Bouchon de Porte-balai (81). Lorsque vous retirez Les Bouchon de Porte-balai, Le Porte – Balai (83) peut surgir. Ne desserrez pas Les Balai de Carbone. Si Le Porte – Balai ne surgie pas, retirez – le doucement en utilisant la pointe du tournevis. Vérifiez la surface de chaque balai. La surface doit être lisse et propre. S'il y a des éraflures, ou si la balai est brisé, remplacez – la sans tarder avec un balai de recharge approuvé de Harbor Freight Tools.
 - b. Si le balai n'est pas endommagé et est sale, vous pouvez le nettoyer avec une gomme. Utilisez la gomme de retirez la saleté. Retirez des poussières laissées lors de l'utilisation de la gomme.
 - c. Réinstallez chaque Balai de Carbone (82) en la réinsérant dans La Porte – Balai (83). Vissez La Bouchon de Porte – Balai (81) dans La Porte – Balai et serrez.

FICHE D'ENTRETIEN				
Type d'Entretien	Avant	Après Utilisation	Après Chaque 50 heures d'Utilisation	Après Chaque 100 Heures d'Utilisation
Vérifiez si l'outil est endommagé	X			
Nettoyez l'extérieure et lubrifiez des pièces mobiles exposées		X		
Lubrifiez*			X	
Remplacez Les Balai de Carbone				X

*La Lubrification du Marteau Rotatif est complétée à l'usine. L'outil devrait être lubrifié après 50 heures d'utilisation.

GUIDE DE DÉPANNAGE

Problème	Explication Possible	Solution
Le moteur ne mets pas en marche l'outil	<ol style="list-style-type: none"> 1. Alimentation électrique coupée 2. Vérifiez les branchements 3. Armature ou bobine de champ brûlé 4. Casse de bobine de stator 5. Les Balai de Carbone usé 	<ol style="list-style-type: none"> 1. Examinez l'alimentation électrique 2. Réparez l'interrupteur 3. Changez la bobine électrique 4. Remplacez la bobine de stator 5. Remplacez Les Balai de Carbone
L'outil semble faire trop de bruit ; ne tourne pas ou tourne lentement	Moteur surchargé à la suite de la profondeur de perçage excessif ou tension	Réduisez la profondeur de perçage ou tension. Baissez la force.
Court – circuit partiel	Court –circuit partiel ou circuit ouvert à l'Armature	Réparez ou changez L'Armature.
Basse tension au voltage principal	Voltage de l'alimentation électrique trop bas	Ajustez la puissance de voltage principal
Boîte de Vitesse est très chaude	<ol style="list-style-type: none"> 1. Surchargé, foret émoussé 2. Bobines humides 3. Ajustage incorrect 4. Basse de volts 	<ol style="list-style-type: none"> 1. Réduisez la charge, aiguiser le foret. 2. Essuyez les bobines électriques. 3. Réparez ou changez l'armature 4. Ajustez le voltage.
Il y a des étincelles	<ol style="list-style-type: none"> 1. Court –circuit ou casse à l'Armature 2. Surface de Armature ne lisse pas et ne propre pas 	<ol style="list-style-type: none"> 1. Réparez L'Armature 2. Inspectez et nettoyez L'Armature.

GARANTIE

Déférez au texte anglais pour l'explication de garantie.

LES PIÈCES

Pièce	Description	Q'ty
1	Joint Torique	1
2	Balle d'Acier	3
3	Cylindre	1
4	Clavette Parallèle fixée par vis	2
5	Piston	1
6	Joint Torique	1
7	Support de Ressort	1
8	Ressort	1
9	Embrayage	1
10	Troisième Rapport	1
11	Joint Torique	1
12	Piston	1
13	Arbre de Couplage	1
14	Roulement à Aiguilles	1
15	Joint Torique	1
16	Joint Torique	1
17	Planche à Cadrer	1
18	Capuchon Plombé	1
19	Carter d'engrenage	1
20	Plaque Signalétique	1
21	Vis M4 x 8	1
22	Interrupteur	1
23	Ressort	1
24	Balle d'Acier	1
25	Planche	1
26	Joint Torique	1
27	Bloc à demi cercle	1
28	Vis M3 x 8	2
29	Gaine	1
30	Vis M5 x 25	4
31	Ressort	4
32	Bloc Cylindre	1
33	Culasse	1
34	Bague d'Étanchéité d'huile	1
35	Rondelle d'Étanchéité	1
36	Alésage	1
37	Bague Entretoise	1
38	Couvercle à Distance	1
39	Couvercle à l'avant	1

Pièce	Description	Q'ty
40	Joint Torique	1
41	Ressort	1
42	Poteau d'acier	2
43	Bague de fond	1
44	Joint Torique	2
45	Joint Torique	2
46	Deuxième Marteau	1
47	Ressort	1
48	Plaque Signalétique	1
49	Bague à Huile d'étanchéité	1
50	Pignon	1
51	Bague Entretoise	1
52	Alésage	1
53	Coussinet/ Entretoise	1
54	Rondelle d'Étanchéité	2
55	Plaque à Perte Volumétrique	2
56	Pignon No. 2	1
57	Rondelle Élastique	1
58	Écrou Spécial	1
59	Alésage	1
60	Vilebrequin	1
61	Balle d'Acier	3
62	Alésage	1
63	Rondelle d'Étanchéité	1
64	Chapeau de Palier	1
65	Vis M5 x 60	2
66	Pignon No. 1	1
67	Rondelle d'Étanchéité	1
68	Ressort	1
69	Arbre d'Embrayage	1
70	Couvercle Principal	1
71	Alésage	1
72	Armature	1
73	Guide de Ventilateur	1
74	Vis de Champ	2
75	Rondelle d'Étanchéité	2
76	Induction	2
77	Alésage	1
78	Boîtier	1

LES PIÈCES

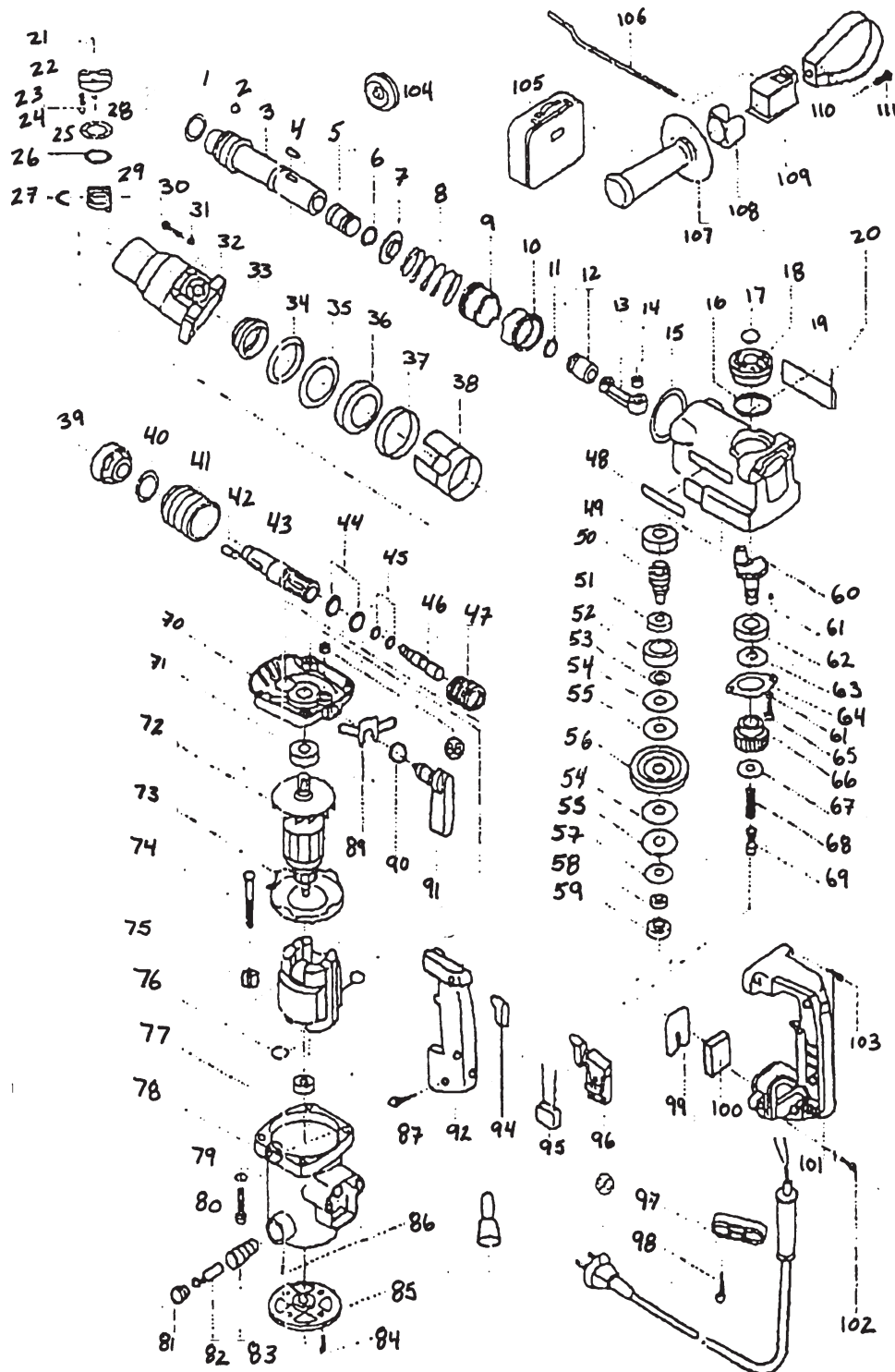
Pièce	Description	Q'ty
79	Rondelle d' Etanchéité	4
80	Vis M5 x 50	4
81	Bouchon de Porte-balai	2
82	Balai de Carbone	2
83	Porte – Balai	2
84	Vis auto taraudeuse \$ x 16	2
85	Couvercle à l'arrière	1
86	Vis fixée M5 x 6	2
87	Vis auto taraudeuse M4 x 23	3
88	Roulement à Aiguilles	1
89	Support de Ressort	1
90	Joint Torique	1
91	Poignée Supérieure	1
92	Couvercle à gauche	1
93	Manchon Isolant	4
94	Couvercle d'Interrupteur	1
95	Condensateur	1

Pièce	Description	Q'ty
96	Interrupteur	1
97	Planche à pressant cordon	1
98	Vis auto taraudeuse 4 x 16	2
99	Planche	1
100	Poignée à Bloc	1
101	Couvercle angle droit	1
102	Vis auto taraudeuse 5 x 25	2
103	Vis M5 x 25	2
104	Protecteur	1
105	Caisson de Soufflage	1
106	Jauge de Profondeur	1
107	Manche Auxiliaire	1
108	Support de Manche	1
109	Manche	1
110	Carton pour emboutissage	1
111	LaBoulonà quatreperpendiculaires	1

LISEZ S'IL VOUS PLAÎT LE SUIVANT SOIGNEUSEMENT

LE FABRICANT ET-OU LE DISTRIBUTEUR A FOURNI LA LISTE DE PIÈCES ET LE DIAGRAMME DE MONTAGE DANS CE MANUEL COMME UN INSTRUMENT DE RÉFÉRENCE SEULEMENT. AUCUN LE FABRICANT OU LE DISTRIBUTEUR FONT N'IMPORTE QUELLE REPRÉSENTATION OU GARANTIE DE N'IMPORTE QUELLE SORTIE À L'ACHETEUR QU'IL OU ELLE EST AUTORISÉ POUR FAIRE N'IMPORTE QUELLES RÉPARATIONS AU PRODUIT, OU QU'IL OU ELLE EST AUTORISÉ POUR REMPLACER N'IMPORTE QUELLES PIÈCES DU PRODUIT. EN FAIT, LE FABRICANT ET-OU LE DISTRIBUTEUR DÉCLARE EXPRESSÉMENT QUE TOUTES LES RÉPARATIONS ET LES REMPLACEMENTS DE PIÈCES DEVRAIENT ÊTRE ENTREPRIS PAR LES TECHNICIENS DIPLÔMÉS ET AGRÉÉS ET PAS PAR L'ACHETEUR. L'ACHETEUR SUPPOSE TOUT LE RISQUE ET LA RESPONSABILITÉ SURVENANT DU FAIT DE SES RÉPARATIONS AU PRODUIT ORIGINAL OU AUX PIÈCES DÉTACHÉES Y, OU SURVENANT DU FAIT DE SON INSTALLATION DE PIÈCES DÉTACHÉES Y.

SCHEMA DU PRODUIT



Notez le Numéro de Série du Produit ici: _____

Remarque: S'il n'y a pas de numéro de série, notez la date d'achat.

Remarque: Des pièces figurant sur la liste ont pour but d'illustrer seulement, et ne sont pas disponible comme des pièces de rechange.

Free Manuals Download Website

<http://myh66.com>

<http://usermanuals.us>

<http://www.somanuals.com>

<http://www.4manuals.cc>

<http://www.manual-lib.com>

<http://www.404manual.com>

<http://www.luxmanual.com>

<http://aubethermostatmanual.com>

Golf course search by state

<http://golfingnear.com>

Email search by domain

<http://emailbydomain.com>

Auto manuals search

<http://auto.somanuals.com>

TV manuals search

<http://tv.somanuals.com>