

CHICAGO
Electric Power Tools

CORDLESS SCREWDRIVER SET
3.6 VOLT RECHARGABLE

Model 91332

ASSEMBLY AND OPERATING INSTRUCTIONS



3491 Mission Oaks Blvd., Camarillo, CA 93011

Visit our Web site at <http://www.harborfreight.com>

Copyright © 2004 by Harbor Freight Tools®. All rights reserved. No portion of this manual or any artwork contained herein may be reproduced in any shape or form without the express written consent of Harbor Freight Tools.

For technical questions and replacement parts, please call 1-800-444-3353

Specifications

Item	Description
Power Requirement	3.6 VDC
Batteries	3 - 1.2 VDC, Ni-cad, 600 mA/HR cells
Charging Time	5 to 7 hours
Charger Adapter	Input: 120 VAC, 60 Hz; Output: 5 VDC, 300 mA
Speed	200 RPM
Power Switch	Reversing rocker switch
Tool Dimensions	10 (L) x 1-5/8 (dia.) inches
Features	Twist Handle for pistol or straight grip
Accessories	8 - Hex drive SAE sockets 5 - Slot driver bits 4 - Cross driver bits 4 - Pozi [®] -drive bits 6 - Hex drive SAE / fractional bits 8 - Torx [®] drive bits 1 - 2" magnetic tip 1 - 1" hex adapter 1 - 1" (L) x 1/4" hex adapter 1 - Blowmold case
Tool Weight	2.4 lbs.

Save This Manual

You will need the manual for the safety warnings and precautions, assembly instructions, operating and maintenance procedures, parts list and diagram. Keep your invoice with this manual. Write the invoice number on the inside of the front cover. Keep the manual and invoice in a safe and dry place for future reference.

Safety Warnings and Precautions

WARNING: When using tool, basic safety precautions should always be followed to reduce the risk of personal injury and damage to equipment.

Read all instructions before using this tool!

1. **Keep work area clean.** Cluttered areas invite injuries.
2. **Observe work area conditions.** Do not use machines or power tools in damp or wet locations. Don't expose to rain. Keep work area well lighted. Do not use electrically powered tools in the presence of flammable gases or liquids.
3. **Keep children away.** Children must never be allowed in the work area. Do not let them handle machines, tools, or extension cords.
4. **Store idle equipment.** When not in use, tools must be stored in a dry location to inhibit rust. Always lock up tools and keep out of reach of children.

5. **Use the right tool for the job.** Do not attempt to force a small tool or attachment to do the work of a larger industrial tool. There are certain applications for which this tool was designed. It will do the job better and more safely at the rate for which it was intended. Do not modify this tool and do not use this tool for a purpose for which it was not intended.
6. **Dress properly.** Do not wear loose clothing or jewelry as they can be caught in moving parts. Protective, electrically non-conductive clothes and non-skid footwear are recommended when working. Wear restrictive hair covering to contain long hair.
7. **Use eye and ear protection.** Always wear ANSI approved impact safety goggles.
8. **Do not overreach.** Keep proper footing and balance at all times. Do not reach over or across running machines.
9. **Maintain tools with care.** Keep tools sharp and clean for better and safer performance. Follow instructions for lubricating and changing accessories. Inspect tool cords periodically and, if damaged, have them repaired by an authorized technician. The handles must be kept clean, dry, and free from oil and grease at all times.
10. **Disconnect power.** Unplug Charger Adapter when not in use.
11. **Remove adjusting keys and wrenches.** Check that keys and adjusting wrenches are removed from the tool or machine work surface before operating tool.
12. **Avoid unintentional starting.** Be sure the switch is in the Off position when not in use and before plugging in. Do not carry any tool with your finger on the trigger.
13. **Stay alert.** Watch what you are doing, use common sense. Do not operate any tool when you are tired.
15. **Check for damaged parts.** Before using any tool, any part that appears damaged should be carefully checked to determine that it will operate properly and perform its intended function. Check for alignment and binding of moving parts; any broken parts or mounting fixtures; and any other condition that may affect proper operation. Any part that is damaged should be properly repaired or replaced by a qualified technician. Do not use the tool if any switch does not turn On and Off properly.
16. **Guard against electric shock.** Prevent body contact with electrical circuits when using this tool.

17. **Replacement parts and accessories.** When servicing, use only identical replacement parts. Use of any other parts will void the warranty. Only use accessories intended for use with this tool. Approved accessories are available from Harbor Freight Tools.
18. **Do not operate tool if under the influence of alcohol or drugs.** Read warning labels if taking prescription medicine to determine if your judgment or reflexes are impaired while taking drugs. If there is any doubt, do not operate the tool.
19. **Maintenance.** For your safety, service and maintenance should be performed regularly by a qualified technician.
20. **People with pacemakers should consult their physician(s) before using this product.** Electromagnetic fields in close proximity to a heart pacemaker could cause interference to or failure of the pacemaker.

In addition, people with pacemakers should adhere to the following:

- ◆ Avoid operating power tools alone.
- ◆ Don't use a power tool with the power switch locked on.
- ◆ Properly maintain and inspect all tools before use to avoid electrical shock.

Note: Performance of this tool may vary depending on variations in battery power.

Warning: The warnings, cautions, and instructions discussed in this instruction manual cannot cover all possible conditions and situations that may occur. It must be understood by the operator that common sense and caution are factors which cannot be built into this product, but must be supplied by the operator.

Unpacking

When unpacking, check to make sure the that all following parts are included. If any parts are missing or broken, please call Harbor Freight Tools at the number on the cover of this manual.



Operation

Battery Precautions

1. To avoid accidents, only charge the supplied batteries. Do not use a different charger adapter with this tool.
2. Do not expose the battery to rain or wet conditions.
3. To avoid damage of cable and plug, never pull the cable to disconnect the charger.
4. Do not charge the battery if either the cable or plug are damaged.
5. Repairs should be carried out by a qualified technician only.
6. Do not touch the battery poles with any conductive source.
7. Do not store the battery in a box with other metal objects.
8. Do not throw the battery in a fire.

Charging the Battery

The internal Battery does not come charged from the factory. Charge before using.

1. Insert the Charger Adapter module plug into the unit connector as shown below.

Note: Never over-discharge a battery by using the tool even after tool performance is decreasing. Severe heat is most destructive to a battery; the more heat generated, the faster the battery loses power. A battery that gets too hot can be permanently damaged. Never attempt to discharge a tool's battery by continuing to pull the tool trigger.

When tool performance begins to diminish, stop the tool and re-charge the battery for optimal performance.



2. Plug the Charger Adapter module into an electrical outlet.

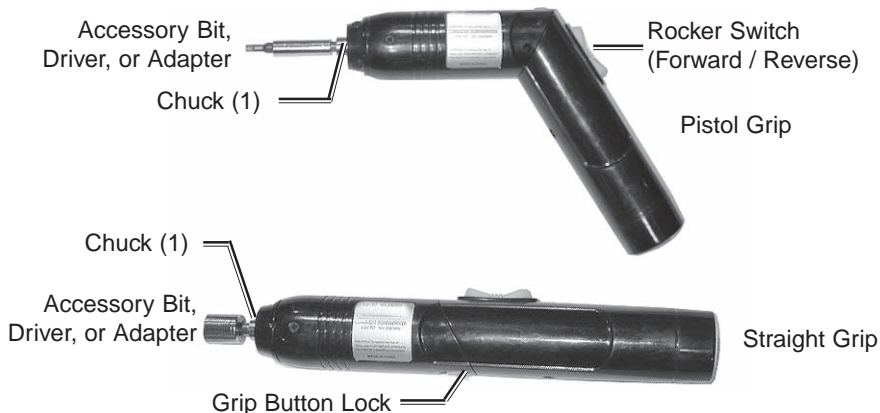
The red LED on the cordless Screwdriver will light. Charge the new battery from 5 to 7 hours. Battery usage time will ramp up as the new Battery is used, and recharged. Do not overcharge the battery.

Caution: Never charge Battery for more than 7 hours continuously. Charger Adapter should not be left plugged in or charging for more than 7 hours.

3. Remove the Power Adapter from the electrical outlet and store in the Blowmold case.

Using the Cordless Screwdriver

1. Set the Screwdriver handle grip style by pressing on the Grip Button Lock and turning the handle for pistol or straight grip.



2. Insert the desired bit, driver, or adapter into the Chuck (1).
3. Engage the bit, driver, or adapter over the item being turned.
4. Press forward on the Rocker Switch for turning clockwise.
5. Press backward on the Rocker Switch for turning counterclockwise.

Maintenance

1. When finished using the Screwdriver, place it in the Blowmold case along with all the accessories.
2. Store in a clean and dry location.
3. Recharge the batteries once a month whether used or not.

Parts List

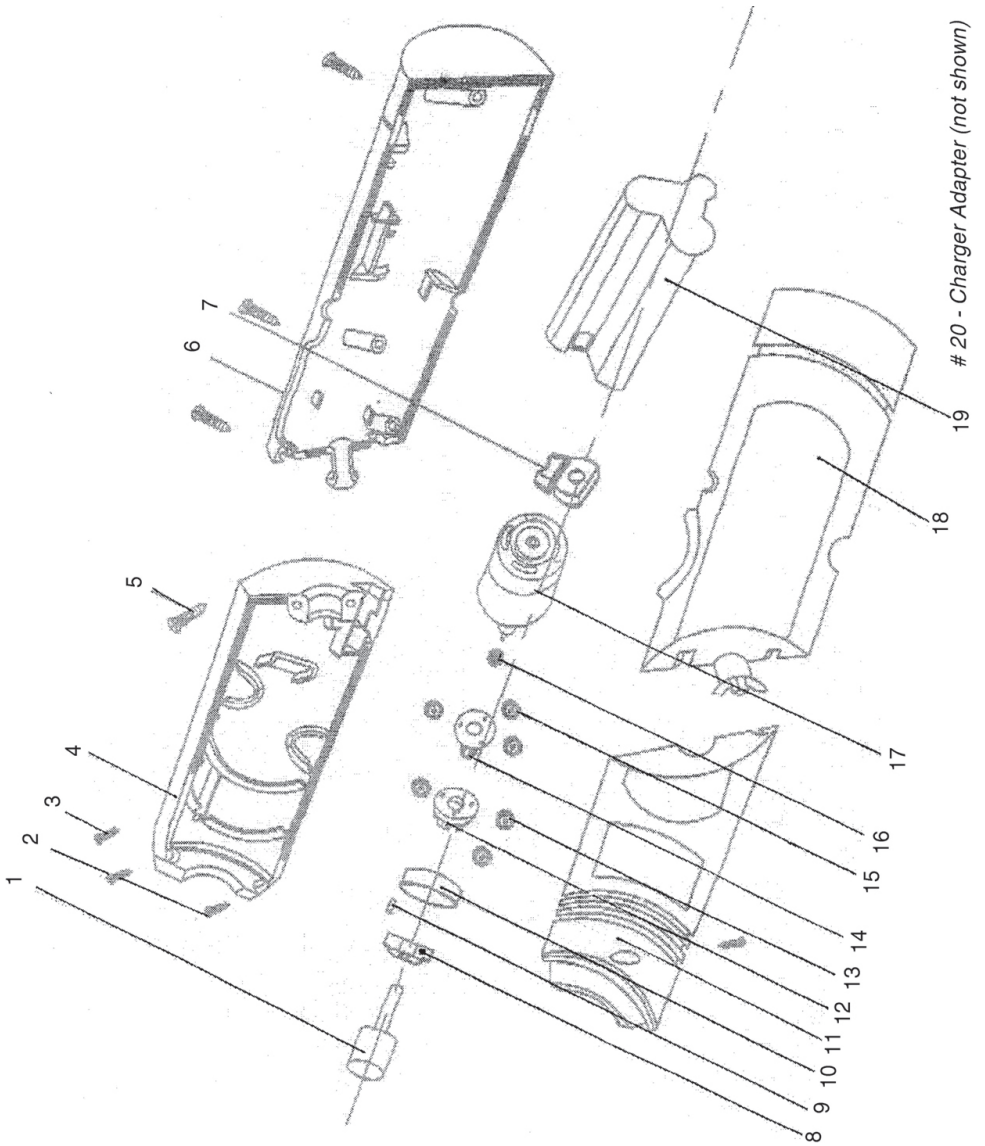
Item #	Description
1.	Chuck
2.	Screwnail
3.	Screwnail
4.	Enclosure (A)
5.	Screwnail
6.	Enclosure (right)
7.	Switch
8.	Limit Block
9.	Bearing
10.	Limit Box
11.	Enclosure (B)
12.	Heat-loss Block
13.	Gear
14.	Steering Stem
15.	Gear
16.	Gear
17.	Motor
18.	Enclosure (left)
19.	Battery
20.	Charger Adapter

NOTE: Some parts are listed and shown for illustration purposes only and are not available individually as replacement parts.

PLEASE READ THE FOLLOWING CAREFULLY

THE MANUFACTURER AND/OR DISTRIBUTOR HAS PROVIDED THE PARTS DIAGRAM IN THIS MANUAL AS A REFERENCE TOOL ONLY. NEITHER THE MANUFACTURER NOR DISTRIBUTOR MAKES ANY REPRESENTATION OR WARRANTY OF ANY KIND TO THE BUYER THAT HE OR SHE IS QUALIFIED TO MAKE ANY REPAIRS TO THE PRODUCT OR THAT HE OR SHE IS QUALIFIED TO REPLACE ANY PARTS OF THE PRODUCT. IN FACT, THE MANUFACTURER AND/OR DISTRIBUTOR EXPRESSLY STATES THAT ALL REPAIRS AND PARTS REPLACEMENTS SHOULD BE UNDERTAKEN BY CERTIFIED AND LICENSED TECHNICIANS AND NOT BY THE BUYER. THE BUYER ASSUMES ALL RISK AND LIABILITY ARISING OUT OF HIS OR HER REPAIRS TO THE ORIGINAL PRODUCT OR REPLACEMENT PARTS THERETO, OR ARISING OUT OF HIS OR HER INSTALLATION OF REPLACEMENT PARTS THERETO.

Assembly Drawing



Free Manuals Download Website

<http://myh66.com>

<http://usermanuals.us>

<http://www.somanuals.com>

<http://www.4manuals.cc>

<http://www.manual-lib.com>

<http://www.404manual.com>

<http://www.luxmanual.com>

<http://aubethermostatmanual.com>

Golf course search by state

<http://golfingnear.com>

Email search by domain

<http://emailbydomain.com>

Auto manuals search

<http://auto.somanuals.com>

TV manuals search

<http://tv.somanuals.com>