

U.S. GENERAL®

OIL GUN WITH CONTROL VALVE

Model 92960

ASSEMBLY AND OPERATING INSTRUCTIONS



3491 Mission Oaks Blvd., Camarillo, CA 93011
Visit our Web site at <http://www.harborfreight.com>

Copyright © 2005 by Harbor Freight Tools®. All rights reserved. No portion of this manual or any artwork contained herein may be reproduced in any shape or form without the express written consent of Harbor Freight Tools.

For technical questions and replacement parts, please call 1-800-444-3353

Specifications

Maximum Operating Pressure	750 PSI
Flow Rate (Maximum)	9.2 Gallons per Minute
Working Temperature	14° to 120° F.
Fluid Inlet	1/2" - 14 NPT
Viscosity	8 - 5000 mPas (MilliPascal sec.)
Fluid Range	1-35 LPM / .3 - 9.2 GPM
Weight	1.70 Lbs.

NOT FOR COMMERCIAL USE

Note: A separate oil pump (not included) is required for use with this Oil Gun. This separate oil pump must supply less than 750 PSI. This pump must be designed for continuous use with the ability to withstand a stoppage of oil flow when the Oil Gun Handle is released.

Save This Manual

You will need the manual for the safety warnings and precautions, assembly instructions, operating and maintenance procedures, parts list and diagram. Keep your invoice with this manual. Write the invoice number on the inside of the front cover. Keep the manual and invoice in a safe and dry place for future reference.

Safety Warnings and Precautions

WARNING: When using tool, basic safety precautions should always be followed to reduce the risk of personal injury and damage to equipment.

Read all instructions before using this tool!

1. **Keep work area clean.** Cluttered areas invite injuries.
2. **Observe work area conditions.** Do not use machines or tools in damp or wet locations. Don't expose to rain. Keep work area well lit. Do not work with flammable gasses or liquids near heat sources of any kind. Do not operate power tools in close proximity to the Oil Gun.
3. **Keep children away.** Children must never be allowed in the work area. Do not let them handle the Oil Gun.
4. **Store idle equipment.** When not in use, tools must be stored in a dry location to inhibit rust. Always lock up tools and keep out of reach of children.
5. **Use the right tool for the job.** Do not attempt to force a small tool or attachment to do the work of a larger industrial tool. There are certain applications for which this tool was designed. It will do the job better and more safely at the rate for which it was intended. Do not modify this tool and do not use this tool for a purpose for which it was not intended.
6. **Dress properly.** Do not wear loose clothing or jewelry as they can be caught in moving parts. Protective, electrically non-conductive clothes and non-skid footwear are recommended when working. Wear restrictive hair covering to contain long hair. Wear heavy work gloves during operation.
7. **Use eye protection.** Always wear ANSI approved impact safety goggles. Wear an ANSI approved dust mask or respirator when working around metal, wood, and chemical dusts and mists.

8. **Do not overreach.** Keep proper footing and balance at all times.

SKU 92960

For technical questions, please call 1-800-444-3353

Page 2

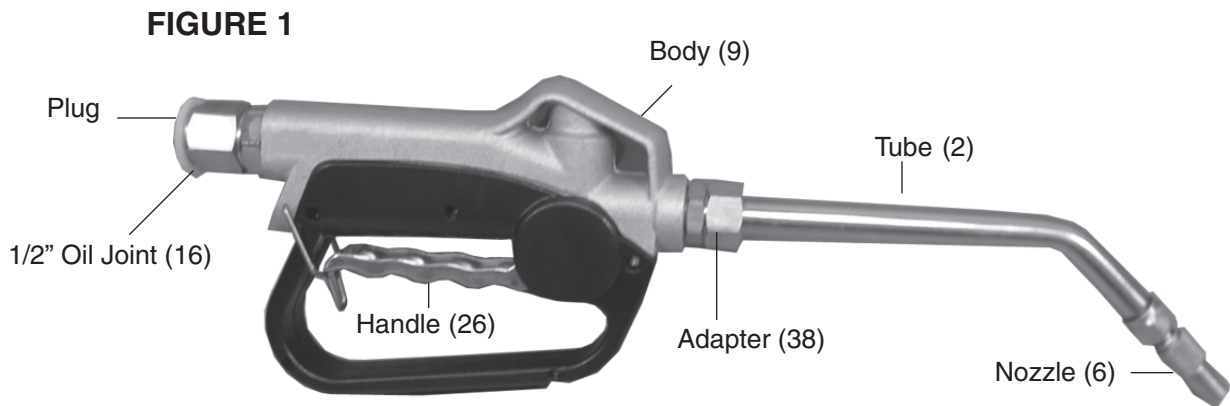
9. **Maintain tools with care.** Keep tools clean for better and safer performance. Follow instructions for lubricating and changing accessories. Inspect fluid hoses periodically, and if damaged, have them repaired by an authorized technician. The handle must be kept clean, dry, and free from oil and grease at all times.
10. **Disconnect hoses.** Disconnect from fluid source when not in use.
11. **Avoid unintentional starting.** Do not carry any tool with your finger on the Handle Lever whether it is attached to the fluid source or not.
12. **Stay alert.** Watch what you are doing, use common sense. Do not operate any tool when you are tired.
13. **Check for damaged parts.** Before using any tool, any part that appears damaged should be carefully checked to determine that it will operate properly and perform its intended function. Check for alignment and binding of moving parts; any broken parts or mounting fixtures; and any other condition that may affect proper operation. Any part that is damaged should be properly repaired or replaced by a qualified technician. Do not use the tool if any switch does not turn On and Off properly.
14. **Replacement parts and accessories.** When servicing, use only identical replacement parts. Use of any other parts will void the warranty. Only use accessories intended for use with this tool. Approved accessories are available from Harbor Freight Tools.
15. **Do not operate tool if under the influence of alcohol or drugs.** Read warning labels if taking prescription medicine to determine if your judgment or reflexes are impaired while taking drugs. If there is any doubt, do not operate the tool.
16. **Maintenance.** For your safety, service and maintenance should be performed regularly by a qualified technician.
17. **Do not use with gasoline or highly flammable liquids.** Do not mix fluids. Do not use this Oil Gun with water as it will rust the inside mechanism.
18. **Do not transfer oil or other flammable bulk liquids in close proximity to any heat source or flame.**
19. Always clean up spilled oil. Dispose of used and spilled oil properly. Contact your local Hazardous Disposal Authority for proper oil disposal guidelines.

Warning: The warnings, cautions, and instructions discussed in this instruction manual cannot cover all possible conditions and situations that may occur. It must be understood by the operator that common sense and caution are factors which cannot be built into this product, but must be supplied by the operator.

Unpacking

When unpacking, check to make sure that all parts listed in the parts list on page 5 are included. If any parts are missing or broken, please call Harbor Freight Tools at the number on the cover of this manual as soon as possible.

Operation

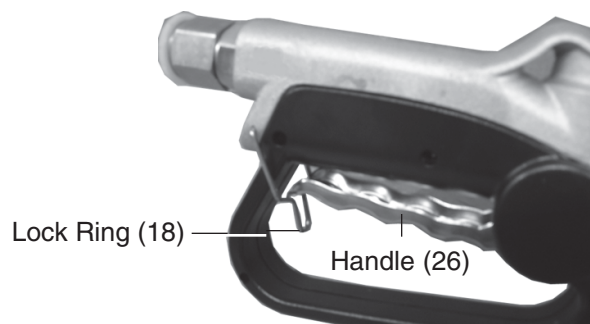


Refer to **FIGURE 1** and **2**.

1. Remove the Plug from the hole in the 1/2" Oil Joint (16). Put the Plug aside and keep for storage purposes.
2. Thread the Adapter (38) into the hole in the Body (9).
3. Thread on the Nozzle (6).
4. Clean the 1/2" male thread on the fluid source hose (not included). Wrap it with plumbing sealant tape and thread the male hose connector into the 1/2" Oil Joint (16). Do not overtighten.
5. Turn on the oil pump (not included) to start the oil flow. Make sure the oil flow does not exceed 750 PSI.
6. Pull the Handle (26) up to begin flow (on initial use, confirm that no leakages exist. Fix any leaks). Let go to stop flow. You may lock the handle in the on position by engaging the Lock Ring (18). **Never leave the unit unattended when the Lock Ring (18) is engaged.** See **FIGURE 3**. To disengage the Locking Ring (18), pull the Handle (26) up, disengage, and release the Handle (26).

Note: You may adjust the flow by turning the **Nozzle (6)**.

FIGURE 2



Maintenance

1. Disconnect the Oil Gun from the Oil Source Hose (not included) before performing any maintenance.
2. Wipe the Oil Gun dry with a lint free cloth.
3. Check that the Nozzle (6) and the Adapter (38) are clean and clear of dirt or debris.
4. Store the unit with the Plug installed.

Parts List

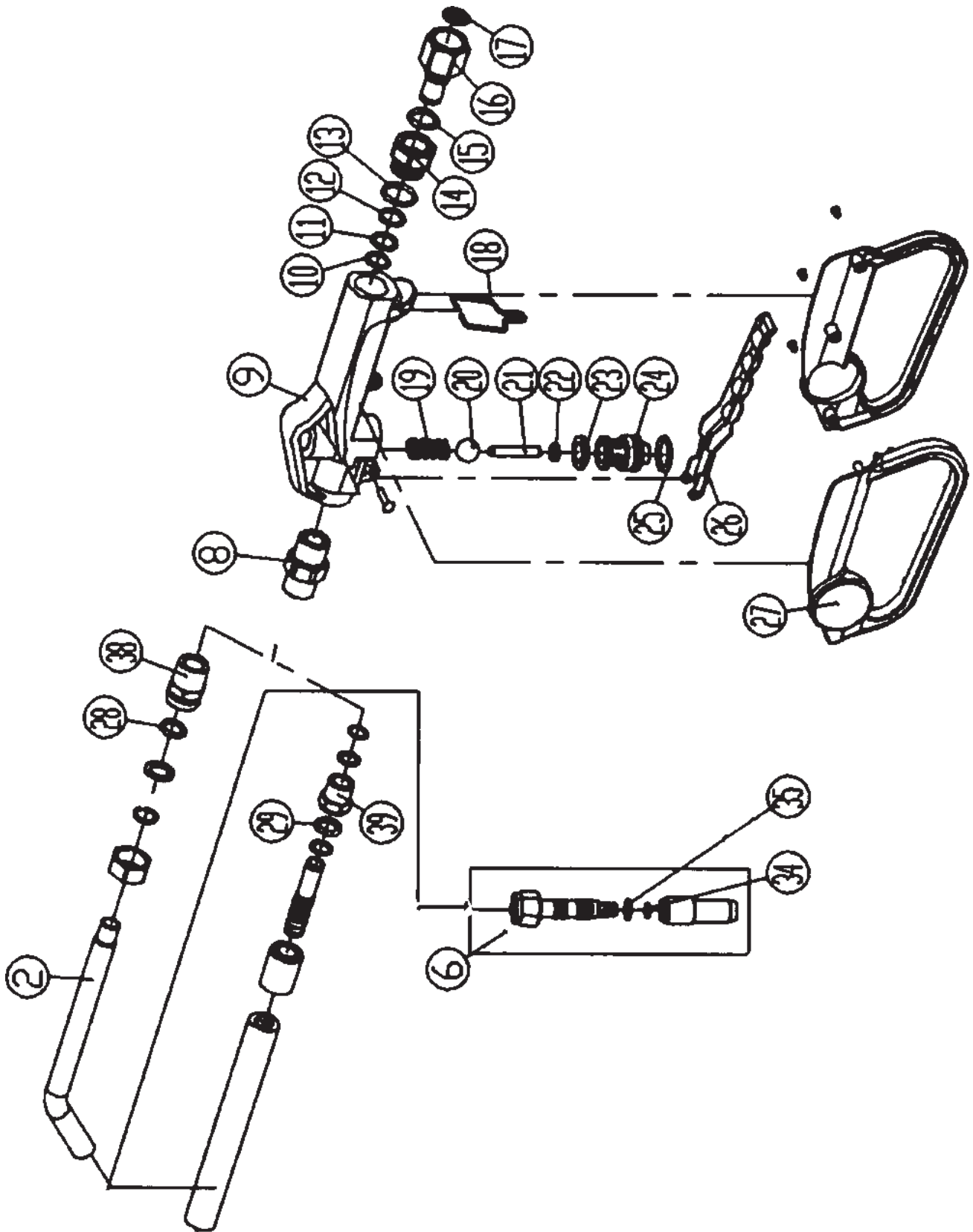
Part	Description	Part	Description
2	Tube	21	Mandril
6	Nozzle	22	Gasket
8	Adapter	23	Washer
9	Body	24	Mount
10	Spring Lock Washer	25	O-ring
11	Washer	26	Handle
12	Washer	27	Cover (Qty. 2)
13	O-ring 15.54x2.62	28	O-ring 11.8x2.65
14	Link Block	29	O-ring 12.37x2.62
15	O-ring 12.74x1.78	34	O-ring (Qty. 2) 4,47x1.78
16	1/2" Oil Joint	35	O-ring 7.65x1.78
17	Filter	38	Adapter
18	Lock Ring	39	Adapter
19	Spring		
20	Bearing		

PLEASE READ THE FOLLOWING CAREFULLY

THE MANUFACTURER AND/OR DISTRIBUTOR HAS PROVIDED THE PARTS DIAGRAM IN THIS MANUAL AS A REFERENCE TOOL ONLY. NEITHER THE MANUFACTURER NOR DISTRIBUTOR MAKES ANY REPRESENTATION OR WARRANTY OF ANY KIND TO THE BUYER THAT HE OR SHE IS QUALIFIED TO MAKE ANY REPAIRS TO THE PRODUCT OR THAT HE OR SHE IS QUALIFIED TO REPLACE ANY PARTS OF THE PRODUCT. IN FACT, THE MANUFACTURER AND/OR DISTRIBUTOR EXPRESSLY STATES THAT ALL REPAIRS AND PARTS REPLACEMENTS SHOULD BE UNDERTAKEN BY CERTIFIED AND LICENSED TECHNICIANS AND NOT BY THE BUYER. THE BUYER ASSUMES ALL RISK AND LIABILITY ARISING OUT OF HIS OR HER REPAIRS TO THE ORIGINAL PRODUCT OR REPLACEMENT PARTS THERETO, OR ARISING OUT OF HIS OR HER INSTALLATION OF REPLACEMENT PARTS THERETO.

NOTE: Some parts are listed and shown for illustration purposes only and are not available individually as replacement parts.

Assembly Drawing



Free Manuals Download Website

<http://myh66.com>

<http://usermanuals.us>

<http://www.somanuals.com>

<http://www.4manuals.cc>

<http://www.manual-lib.com>

<http://www.404manual.com>

<http://www.luxmanual.com>

<http://aubethermostatmanual.com>

Golf course search by state

<http://golfingnear.com>

Email search by domain

<http://emailbydomain.com>

Auto manuals search

<http://auto.somanuals.com>

TV manuals search

<http://tv.somanuals.com>