

# UNIVERSAL METAL TOOL STAND

**Model 46075**

## ASSEMBLY INFORMATION



Visit our website at: <http://www.harborfreight.com>



**Read this material before using this product.  
Failure to do so can result in serious injury.  
SAVE THIS MANUAL.**

Copyright© 2001 by Harbor Freight Tools®. All rights reserved. No portion of this manual or any artwork contained herein may be reproduced in any shape or form without the express written consent of Harbor Freight Tools. Diagrams within this manual may not be drawn proportionally. Due to continuing improvements, actual product may differ slightly from the product described herein. Tools required for assembly and service may not be included.

**For technical questions or replacement parts, please call 1-800-444-3353.**

Revised Manual 09j

## SPECIFICATIONS TABLE

ITEM	DESCRIPTION
Dimensions	18-3/8" x 20-1/2" (Top) 32-3/8" (Height) 26-3/8" x 24-1/2" (Base - Leg Spread)
Maximum Weight Capacity	500 Lbs.
Height Adjustment	3" Increments (32-29-26 inches)
Mounting Holes	8 Holes @ 0.310" Diameter
Leg Anchor Holes	4 Holes @ 0.310" Diameter
Material	16 Ga. Low Carbon Steel
Weight	19.40 Lbs.

## SAVE THIS MANUAL

You will need this manual for the safety warnings and precautions, assembly, inspection, maintenance, and cleaning procedures. Keep your invoice with this manual. Write the invoice number on the inside of the front cover. Keep this manual and invoice in a safe and dry place for future reference.

## GENERAL SAFETY WARNINGS AND PRECAUTIONS

1. **KEEP WORK AREA CLEAN AND DRY.** Cluttered, damp or wet work areas invite injuries.
2. **KEEP CHILDREN AWAY FROM WORK AREA.** Do not allow children to handle this product.
3. **STORE IDLE EQUIPMENT.** When not in use, tools and equipment should be stored in a dry location to inhibit rust. Always lock up tools and equipment and keep out of reach of children.
4. **DO NOT USE THIS PRODUCT IF UNDER THE INFLUENCE OF ALCOHOL OR DRUGS.** Read warning labels on prescriptions to determine if your judgment or reflexes are impaired while taking drugs. If there is any doubt, do not attempt to use this product.
5. **USE EYE PROTECTION.** Wear ANSI approved safety impact eye glasses when using this product. ANSI approved safety impact eye glasses are available from Harbor Freight Tools.

6. **DRESS SAFELY.** Non-skid footwear or safety shoes should be used when working with this product. Do not wear loose clothing or jewelry as they can become caught in moving parts. Wear a protective hair covering to prevent long hair from becoming caught in moving parts. If wearing a long-sleeve shirt, roll sleeves up above elbows.
7. **INDUSTRIAL APPLICATIONS MUST FOLLOW OSHA REQUIREMENTS.**
8. **DO NOT OVERREACH.** Keep proper footing and balance at all times to prevent tripping, falling, back injury, etcetera.
9. **STAY ALERT.** Watch what you are doing at all times. Use common sense. Do not use this product when you are tired or distracted from the job at hand.
10. **CHECK FOR DAMAGED PARTS.** Before using this product, carefully check that it will operate properly and perform its intended function. Check for damaged parts and any other conditions that may affect the operation of this product. Replace or repair damaged or worn parts immediately.
11. **REPLACEMENT PARTS AND ACCESSORIES.** When servicing, use only identical replacement parts. Only use accessories intended for use with this product. Approved accessories are available from Harbor Freight Tools.
12. **MAINTAIN THIS PRODUCT WITH CARE.** Keep this equipment clean and dry for better and safer performance.
13. **MAINTENANCE:** For your safety, service and maintenance should be performed regularly by a qualified technician.
14. **USE THE RIGHT PRODUCT FOR THE RIGHT JOB.** There are certain applications for which this product was designed. Do not use small equipment, tools or attachments to do the work of larger industrial equipment, tools or attachments. Do not use this product for a purpose for which it was not intended.

## **SPECIFIC PRODUCT WARNINGS AND PRECAUTIONS**

1. **DO NOT EXCEED THE 500 POUND WEIGHT BEARING CAPACITY FOR THIS TOOL STAND.**
2. **READ AND UNDERSTAND ALL INSTRUCTIONS AND SAFETY PRECAUTIONS AS OUTLINED IN THE MANUFACTURERS' MANUALS OF THE TOOL(S) TO BE USED WITH THE TOOL STAND PRIOR TO USING THIS PRODUCT.**

3. **MAKE SURE THE TOOL STAND IS FIRMLY SECURED ON A FLAT, LEVEL, STURDY SURFACE CAPABLE OF SUPPORTING THE WEIGHT OF THE TOOL STAND, TOOL(S) BEING USED, WORKPIECE(S), ETCETERA.**
4. **MAKE SURE THE TOOL TO BE USED IS FIRMLY SECURED TO THE TOOL STAND PRIOR TO USING.**

## UNPACKING

When unpacking, check to make sure the parts shown on page 8 of this manual are included. If any parts are missing or broken, please call Harbor Freight Tools at the number shown on the cover of this manual as soon as possible.

## ASSEMBLY INSTRUCTIONS

**NOTE: All parts listed below refer to the parts listed and shown on page 8 of this manual.**

### **To Assemble The Tool Stand:**

1. The *height* of the Tool Stand may be adjusted to either 26, 29, or 32 inches.
2. Position the four Extension Feet (part #6) on the bottom, outside edges of the four Legs (part #4). **(See Assy. Diagram.)**
3. With the aid of a measuring rule, slide the Extension Feet (part #6) up or down along the bottom, outside edges of the Legs (part #4) until the desired height of the Tool Stand is reached (26, 29, or 32 inches). **NOTE: Make sure the four mounting holes in each Extension Foot align with four mounting holes in each Leg.**
4. Insert four Carriage Bolts (part #7) through the four mounting holes in each Extension Foot (part #6) and Leg (part #4). Attach the Spring Washers (part #9), and Nuts (part #8) to the Carriage Bolts and ***loosely tighten.***
5. Align the mounting hole located at each end of a Bottom Long Brace (part #2) with a mounting hole located on the lower, inside edges of two Legs (part #4).

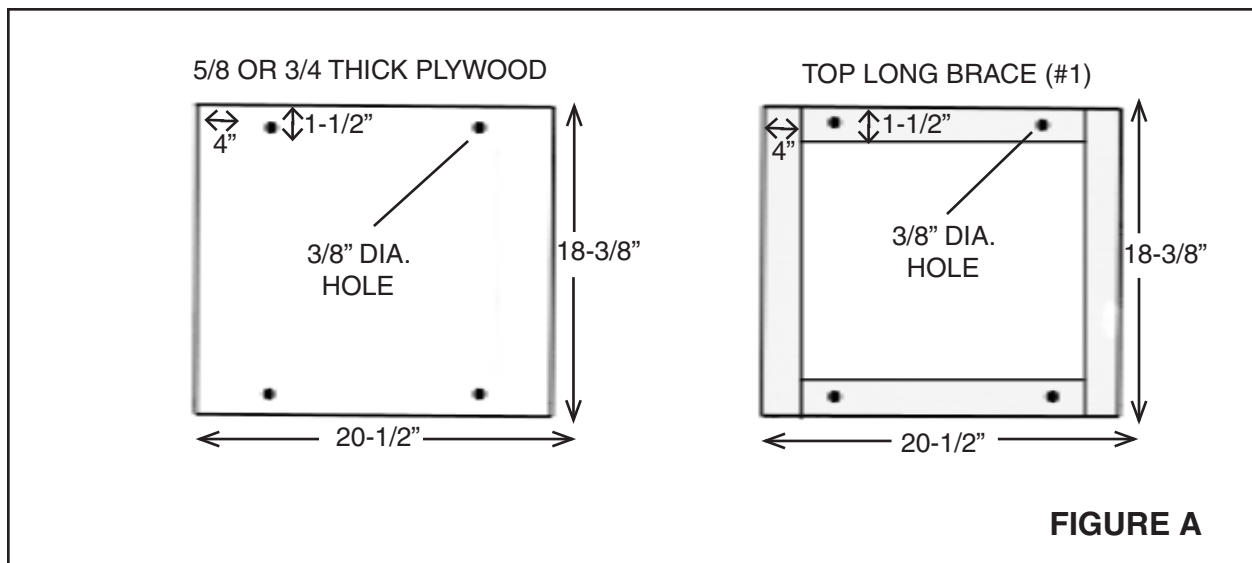
6. Insert two Carriage Bolts (part #7) through the aligned mounting holes of the Bottom Long Brace (part #2) and two Legs (part #4). Attach the Spring Washers (part #9), and Nuts (part #8) to the Carriage Bolts and ***loosely tighten.***
7. Repeat Steps #5 and #6 above to attach the remaining Bottom Long Brace (part #2) to the two remaining Legs (part #4).
8. Position a Bottom Short Brace (part #5) with each of its ends resting above each end of the two Bottom Long Braces (part #2). **NOTE:** Make sure to align the mounting hole located at the top of each end of the Bottom Short Brace with the mounting hole located at the top of each end of the Bottom Long Brace. Also, align the the mounting hole located at the side of each end of the Bottom Short Brace with a mounting hole located on the lower, inside edges of the two Legs (part #4).
9. Insert two Carriage Bolts (part #7) through the aligned mounting holes of the two Legs (part #4) and Bottom Short Brace (part #5). Then, insert two Carriage Bolts through the aligned mounting holes of the Bottom Short Brace and the two Bottom Long Braces (part #2). Attach the Spring Washers (part #9), and Nuts (part #8) to the Carriage Bolts and ***loosely tighten.***
10. Repeat Steps #8 and #9 above to attach the remaining Bottom Short Brace (part #5) to the remaining Bottom Long Brace (part #2) and remaining two Legs (part #4).
11. Align the mounting hole located at each end of a Top Long Brace (part #1) with a mounting hole located on the upper, inside edges of two Legs (part #4).
12. Insert two Carriage Bolts (part #7) through the aligned mounting holes of the Top Long Brace (part #1) and two Legs (part #4). Attach the Spring Washers (part #9), and Nuts (part #8) to the Carriage Bolts and ***loosely tighten.***
13. Repeat Steps #11 and #12 above to attach the remaining Top Long Brace (part #1) to the two remaining Legs (part #4).
14. Position a Top Short Brace (part #3) with each of its ends resting above each end of the two Top Long Braces (part #1). **NOTE:** Make sure to align the mounting hole located at the top of each end of the Top Short Brace with the mounting hole located at the top of each end of the Top Long Brace. Also, align the mounting hole located at the side of each end of the Top Short Brace with a mounting hole located on the upper, inside edges of the two Legs (part #4).
15. Insert two Carriage Bolts (part #7) through the aligned mounting holes of the two Legs (part #4) and Top Short Brace (part #3). Then, insert two Carriage Bolts

through the aligned mounting holes of the Top Short Brace and the two Top Long Braces (part #1). Attach the Spring Washers (part #9), and Nuts (part #8) to the Carriage Bolts and ***loosely tighten***.

- Repeat Steps #14 and #15 above to attach the remaining Top Short Brace (part #3) to the remaining Top Long Brace (part #1) and remaining two Legs (part #4).
- Place the Tool Stand at the location where it will be used. With the aid of a corner square and/leveler, make sure the top of the Tool Stand is level. **Then, WRENCH TIGHTEN** all of the Carriage Bolts (part #7).

**To Attach A Plywood Top To The Tool Stand:**

- Cut a piece of 5/8" or 3/4" plywood (not provided) to the measurements of 18-3/8" x 20-1/2". (See Figure A.)
- Using a wood drill bit (not provided), drill four 3/8" holes through the plywood. (See Figure A.)
- Using a metal drill bit (not provided), drill two 3/8" holes through each of the two Top Long Braces (part #1). (See Figure A.)
- Place the plywood on the top of the Tool Stand, and insert four 3/8" Bolts (not provided) downward through the holes in the plywood and through the aligned holes in the Top Long Braces (part #1).
- Attach four Lockwashers (not provided) and four Nuts (not provided) to the four Bolts, and wrench tighten to secure the plywood to the top of the Tool Stand.



## **Caution:**

**When using the Tool Stand to support a power tool, the power tool must be properly secured to the Tool Stand using appropriate hardware (not included). Always read and understand all safety warnings and instructions provided in the instruction manual provided by the manufacturer of the power tool being mounted to the Tool Stand.**

**Before mounting the power tool on the Tool Stand, make sure that the power tool's manufacturer endorses the use of the power tool mounted on a Tool Stand.**

## **INSPECTION, MAINTENANCE, AND CLEANING**

1. ***Caution:*** Always disconnect the power tool(s) mounted on the Tool Stand from their electrical/compressed air power sources before performing any inspection, maintenance, or cleaning on the Tool Stand.
2. Before each use, inspect the general condition of the Tool Stand. Check for cracks and bends in the product, loose or missing Carriage Bolts (part #7), loose or improper mounting of a tool, and any other condition that may affect the safe operation of the Tool Stand. If abnormal noise or vibration occurs, turn off the tool that is mounted on the Tool Stand immediately and have the problem corrected before further use. Do not use damaged equipment.
3. Do not use solvents to wipe off the Tool Stand, as damage may result. If necessary, wipe with a damp cloth. You may use a mild detergent.

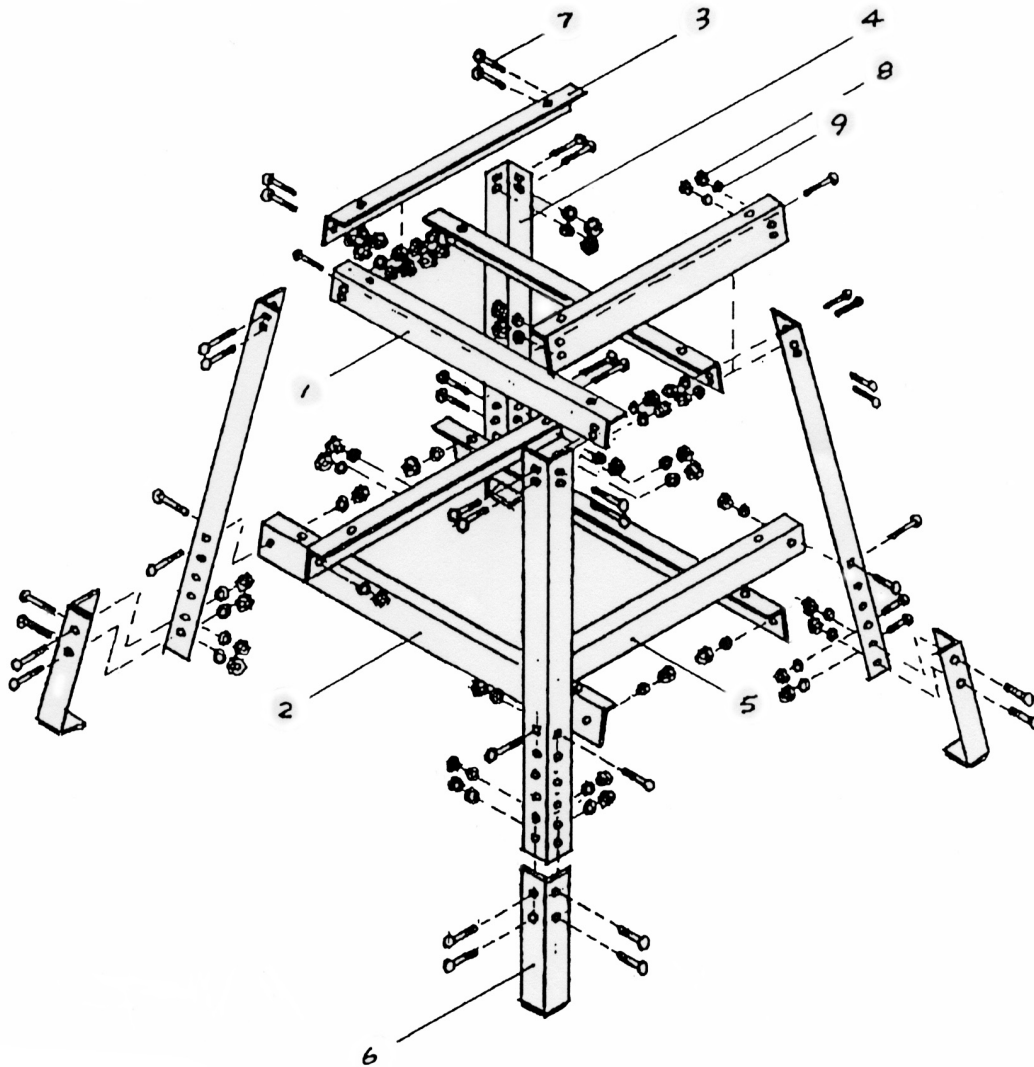
## **PLEASE READ THE FOLLOWING CAREFULLY**

THE MANUFACTURER AND/OR DISTRIBUTOR HAS PROVIDED THIS MANUAL AS A REFERENCE TOOL ONLY. NEITHER THE MANUFACTURER NOR DISTRIBUTOR MAKES ANY REPRESENTATION OR WARRANTY OF ANY KIND TO THE BUYER THAT HE OR SHE IS QUALIFIED TO MAKE ANY REPAIRS TO THE PRODUCT OR THAT HE OR SHE IS QUALIFIED TO REPLACE ANY PARTS OF THE PRODUCT. IN FACT, THE MANUFACTURER AND/OR DISTRIBUTOR EXPRESSLY STATES THAT ALL REPAIRS AND PARTS REPLACEMENTS SHOULD BE UNDERTAKEN BY CERTIFIED AND LICENSED TECHNICIANS AND NOT BY THE BUYER. THE BUYER ASSUMES ALL RISK AND LIABILITY ARISING OUT OF HIS OR HER REPAIRS TO THE ORIGINAL PRODUCT OR REPLACEMENT PARTS THERETO, OR ARISING OUT OF HIS OR HER INSTALLATION OF REPLACEMENT PARTS THERETO.



## PARTS LIST / ASSEMBLY DIAGRAM

PART #	DESCRIPTION	QTY
1	Top Long Brace 19.69" (500mm)	2
2	Bottom Long Brace 23.74" (603mm)	2
3	Top Short Brace 17.71" (450mm)	2
4	Leg 26.38" (670mm)	4
5	Bottom Short Brace 21.77" (553mm)	2
6	Extension Foot 9.76" (248mm)	4
7	Carriage Bolt M6	40
8	Nut M6	40
9	Spring Washer 06	40



**NOTE:** Some parts are listed and shown for illustration purposes only, and are not available individually as replacement parts.



## Free Manuals Download Website

<http://myh66.com>

<http://usermanuals.us>

<http://www.somanuals.com>

<http://www.4manuals.cc>

<http://www.manual-lib.com>

<http://www.404manual.com>

<http://www.luxmanual.com>

<http://aubethermostatmanual.com>

Golf course search by state

<http://golfingnear.com>

Email search by domain

<http://emailbydomain.com>

Auto manuals search

<http://auto.somanuals.com>

TV manuals search

<http://tv.somanuals.com>