

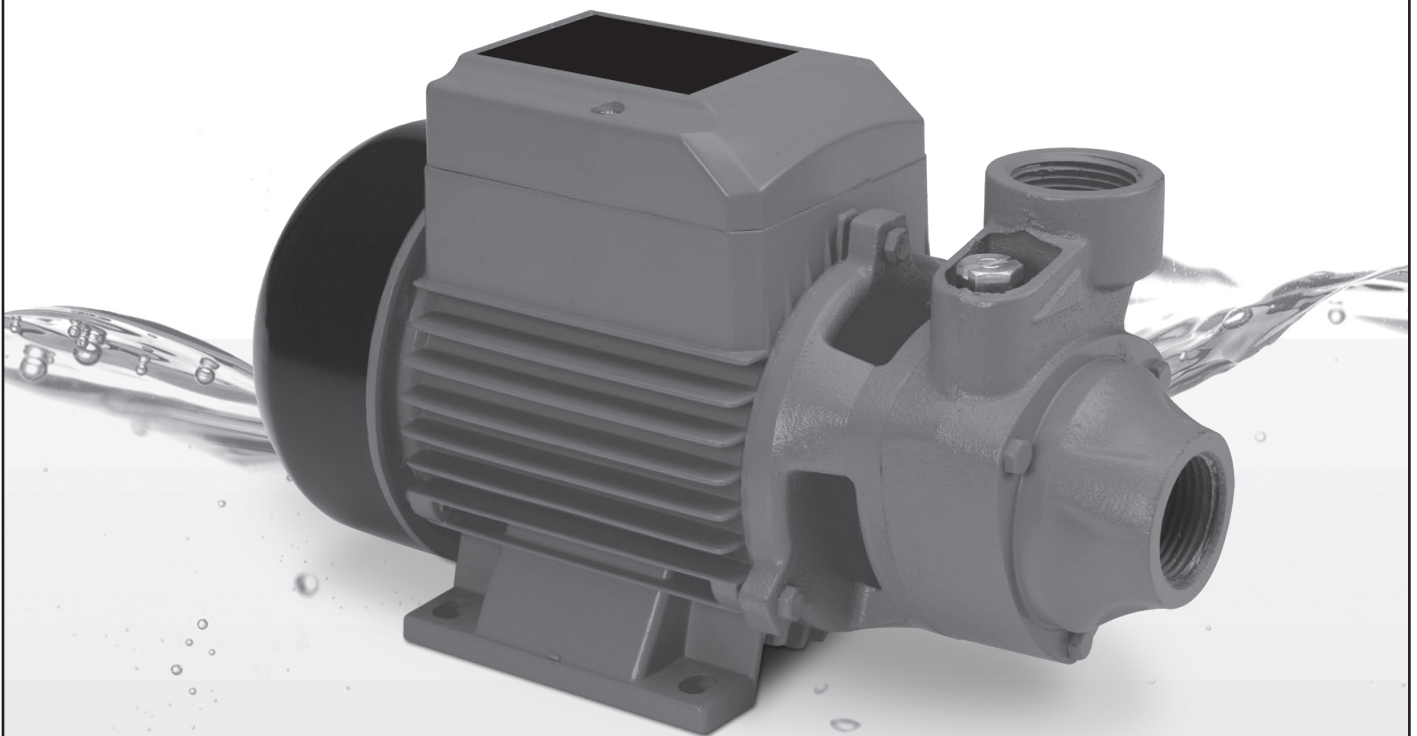
Owner's Manual & Safety Instructions

Save This Manual Keep this manual for the safety warnings and precautions, assembly, operating, inspection, maintenance and cleaning procedures. Write the product's serial number in the back of the manual near the assembly diagram (or month and year of purchase if product has no number). Keep this manual and the receipt in a safe and dry place for future reference.

ITEM 69297

PACIFICHYDROSTAR®

CLEAR WATER PUMP



Visit our website at: <http://www.harborfreight.com>
Email our technical support at: tech@harborfreight.com

When unpacking, make sure that the product is intact and undamaged. If any parts are missing or broken, please call 1-800-444-3353 as soon as possible.

Copyright© 2011 by Harbor Freight Tools®. All rights reserved.
No portion of this manual or any artwork contained herein may be reproduced in any shape or form without the express written consent of Harbor Freight Tools. Diagrams within this manual may not be drawn proportionally. Due to continuing improvements, actual product may differ slightly from the product described herein. Tools required for assembly and service may not be included.

⚠ WARNING

**Read this material before using this product.
Failure to do so can result in serious injury.
SAVE THIS MANUAL.**

⚠️ WARNING

When using electric pumps, basic safety precautions should always be followed to reduce the risk of fire, electric shock, and personal injury. **READ ALL INSTRUCTIONS BEFORE USING THIS PUMP!**

1. This Pump has not been investigated for use in swimming pool or marine areas.
2. Use only with clear water. Do not use with flammable liquids such as gasoline, chemicals or and corrosive liquids.
3. Do not use extension cords with this Pump.
4. Risk of electric shock – This pump is supplied with a grounding conductor and grounding-type attachment plug. To reduce the risk of electric shock, connect only to a properly grounded, grounding-type receptacle.
5. If there is danger of flooding, the electrical connections must be taken to higher ground.
6. **DO NOT IMMERSE IN WATER.** This is not a submersible pump. Use indoors only.
7. Always lock up pumps and keep out of reach of children.
8. Wear ANSI-approved safety goggles during installation.
9. **DISCONNECT POWER.** Unplug when not in use, before servicing, and when changing accessories.
10. **CHECK DAMAGED PARTS.** Before using any pump, check for alignment and binding of moving parts; any broken parts or mounting fixtures; and any other condition that may affect proper operation. Any part that is damaged should be properly repaired or replaced by a qualified technician.
11. **REPLACEMENT PARTS AND ACCESSORIES.** When servicing, use only identical replacement parts. Use of any other parts will void the warranty. Only use accessories intended for use with this pump. Approved accessories are available from Harbor Freight Tools.
12. The pump must be protected from frost.
13. The pump must be protected from running dry.
14. Do not run the pump with the outlet closed or blocked. The connections may burst due to excessive pressure.
15. **WARNING:** Handling the cord on this product will expose you to lead, a chemical known to the State of California to cause cancer, and birth defects or other reproductive harm. Wash hands after handling. (California Health & Safety Code § 25249.5, et seq.)

Grounding Instructions

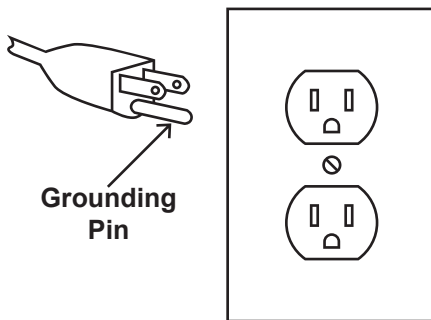
⚠️ WARNING

TO PREVENT ELECTRIC SHOCK AND DEATH FROM INCORRECT GROUNDING WIRE CONNECTION READ AND FOLLOW THESE INSTRUCTIONS:



Check with a qualified electrician if you are in doubt as to whether the outlet is properly grounded. Do not modify the power cord plug provided with the tool.

Never remove the grounding prong from the plug. Do not use the tool if the power cord or plug is damaged. If damaged, have it repaired by a service facility before use. If the plug will not fit the outlet, have a proper outlet installed by a qualified electrician.



**125 V~ 3-Prong Plug and Outlet
(for up to 125 V~ and up to 15 A)**

- Tools marked with "Grounding Required" have a three wire cord and three prong grounding plug. The plug must be connected to a properly grounded outlet. If the tool should electrically malfunction or break down, grounding provides a low resistance path to carry electricity away from the user, reducing the risk of electric shock. **(See 3-Prong Plug and Outlet.)**
- The grounding prong in the plug is connected through the green wire inside the cord to the grounding system in the tool. The green wire in the cord must be the only wire connected to the tool's grounding system and must never be attached to an electrically "live" terminal. **(See 3-Prong Plug and Outlet.)**
- The tool must be plugged into an appropriate outlet, properly installed and grounded in accordance with all codes and ordinances. The plug and outlet should look like those in the preceding illustration. **(See 3-Prong Plug and Outlet.)**
- This pump is intended for use on a circuit that has an outlet that looks like the one illustrated above in **125 V~ 3-Prong Plug and Outlet**. The pump has a grounding plug that looks like the plug illustrated above in **125 V~ 3-Prong Plug and Outlet**.
- The outlet must be properly installed and grounded in accordance with all codes and ordinances.
- Do not use extension cords with this pump.
- Do not use an adapter to connect this pump to a different outlet.

Symbology

	Double Insulated		Read the manual before set-up and/or use.
	Canadian Standards Association		WARNING marking concerning Risk of Fire. Do not cover ventilation ducts. Keep flammable objects away.
	Underwriters Laboratories, Inc.		WARNING marking concerning Risk of Electric Shock. Properly connect power cord to appropriate outlet.
V~	Volts Alternating Current		WARNING marking concerning Risk of Explosion. Do not use to pump explosive materials.
A	Amperes		
n ₀ xxxx/min.	No Load Revolutions per Minute (RPM)		
	WARNING marking concerning Risk of Eye Injury. Wear ANSI-approved safety goggles with side shields.		

Specifications

Power Requirements	120V~ 60Hz 5A
Discharge/Intake	1 IN. NPT
Maximum Flow	650 GPH
Maximum Delivery Height	98 FT.
Suction Lift	20 FT.
Pressure	43 PSI
Cord Length	6 FT.



Set up

⚠ WARNING TO PREVENT ELECTRIC SHOCK AND DEATH FROM INCORRECT USAGE FOLLOW THESE INSTRUCTIONS:



This is **NOT** a submersible pump.
Do not immerse in water.

Pipe Connection

The Pump uses 1" NPT piping (sold separately). Purchase the necessary length of pipe, including any needed fittings and bends. Mount the Pump as close to the source of water as possible and within the range of the rated Suction Lift. The connections must be airtight. Wrap all threaded connections with PTFE tape (sold separately).

1. Remove the Inlet and Outlet Covers from the Pump.
2. Attach the water source to the Inlet, using appropriate methods. The Inlet hose or pipe must be collapse-proof to properly withstand the suction force.
3. Install a foot valve (sold separately) at the bottom of the inlet.
4. Attach the outlet connection to the Outlet. A Y-fitting with dual valves (sold separately) is helpful for priming the pump (see next section).

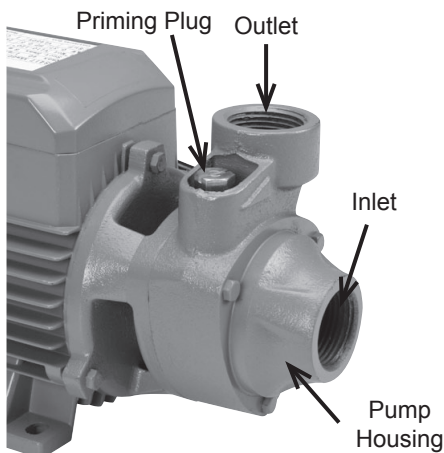


Figure 1

Operation

⚠ WARNING



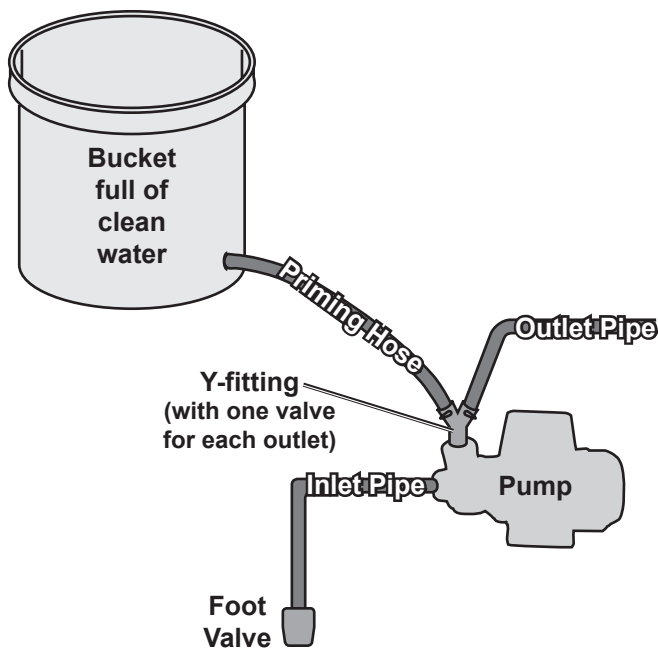
TO PREVENT ELECTRIC SHOCK AND DEATH:

Make sure that the Motor Cover is properly closed and sealed before priming or operation.

Note:

A foot valve on the inlet connection is critical to help prevent the pump from losing prime.

Note: Check that the water source and piping are clear of sand, dirt and debris.



1. Connect a bucket full of at least 3 gallons of water to one side of the Y-fitting using a hose, as shown above. (If available, a continuous water supply, such as a spigot, may be used instead.) The bucket must be positioned higher than the pump's outlet.

2. Close the valve on the outlet side of the Y-fitting, and open the valve on the priming side of the Y-fitting.
3. Remove the Priming Plug and wait until water starts coming out of the Priming Plug. Replace the Priming Plug and tighten securely.
4. To start the pump:
 - a. Open the valve on the outlet side of the Y-fitting.
 - b. Make sure your hands are dry.
 - c. Plug in the pump.
 - d. Close the valve on the priming side of the Y-fitting.

CAUTION: Do not run the Pump Dry!
Turn off the Pump IMMEDIATELY if water stops coming out the Outlet.

5. If you operate the Pump and no water comes out, shut the Pump off IMMEDIATELY. Check the pipes for air-tightness. Check also that the bottom of the Inlet pipe is underneath the surface of the water and a foot valve is properly installed.
6. After the pump is running properly, the priming hose and bucket can be disconnected.

Storage

1. If you will not be using the Pump for an extended period of time, drain the Pump Housing. First disconnect both the suction and outlet lines, then tip the pump so that all the water is drained from the pump cavity.
2. If the Pump sits idle for a period of 5 days or more, it should be unplugged and rotated with a screwdriver through the middle hole of the fan cover through several revolutions to prevent it from taking a permanent set.
3. If you use the Pump only occasionally, when you are done pumping, replace the Inlet and Outlet Covers to protect the unit.

Troubleshooting

Problem	Possible Causes	Likely Solutions
Motor will not start.	<ol style="list-style-type: none"> 1. Cord not connected. 2. No power at outlet. 3. Fuse is blown or breaker tripped. 4. Internal damage or wear. (Carbon brushes or switch, for example.) 	<ol style="list-style-type: none"> 1. Check that cord is plugged in. 2. Check power at outlet. If outlet is unpowered, turn off tool and check circuit breaker. If breaker is tripped, make sure circuit is right capacity for tool and circuit has no other loads. 3. Turn off and unplug pump, have fuse replaced by a qualified service technician. 4. Have serviced by a qualified service technician.
Motor runs but water isn't pumping.	<ol style="list-style-type: none"> 1. Improper priming. 2. Clogged filter at end of intake connections. 3. Discharge valve closed. 4. Pipe size too small. 5. Impeller plugged. 6. Pipes frozen. 	<ol style="list-style-type: none"> 1. Re-prime according to directions. 2. Clean filter. 3. Open discharge valve. 4. Re-pipe using pipe of the same size as the Pump inlet and outlet ports. 5. Have Impeller cleaned by qualified service technician. 6. Thaw pipes. Check for damage before using pump.
Pump does not deliver water at full capacity.	<ol style="list-style-type: none"> 1. Corroded pipes. 2. Piping size too small. 3. Not enough water supplied to Pump. 4. Low Voltage. 	<ol style="list-style-type: none"> 1. Replace pipes. 2. Re-pipe using pipe of the same size as the Pump inlet and outlet ports. 3. Enlarge inlet pipe. Check well pump system. 4. Check that outlet is 120V.
Excessive noise or rattling.	Internal damage or wear. (Carbon brushes or bearings, for example.)	Have technician service tool.



Follow all safety precautions whenever diagnosing or servicing the tool. Disconnect power supply before service.

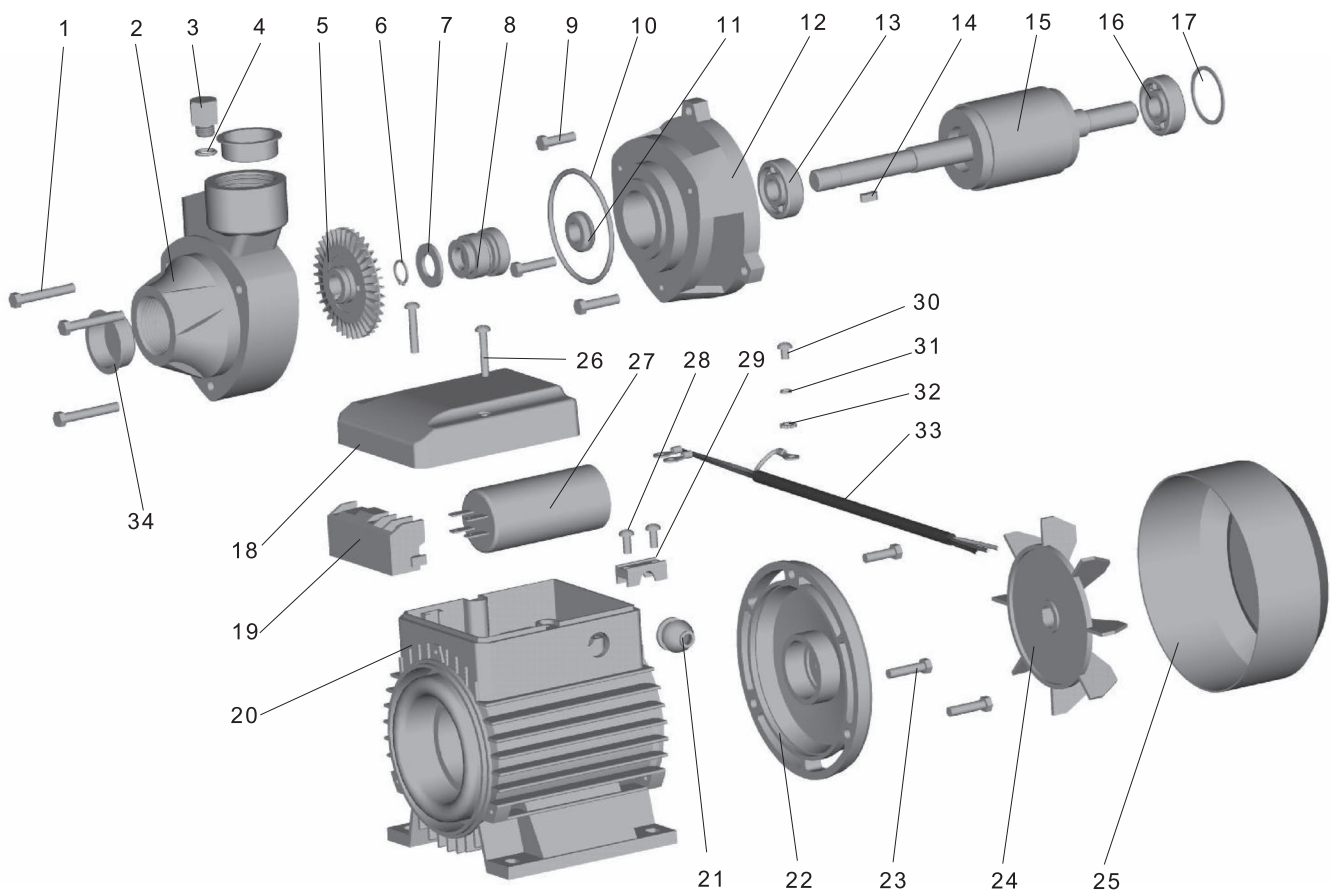
PLEASE READ THE FOLLOWING CAREFULLY

THE MANUFACTURER AND/OR DISTRIBUTOR HAS PROVIDED THE PARTS DIAGRAM IN THIS MANUAL AS A REFERENCE TOOL ONLY. NEITHER THE MANUFACTURER NOR DISTRIBUTOR MAKES ANY REPRESENTATION OR WARRANTY OF ANY KIND TO THE BUYER THAT HE OR SHE IS QUALIFIED TO MAKE ANY REPAIRS TO THE PRODUCT OR THAT HE OR SHE IS QUALIFIED TO REPLACE ANY PARTS OF THE PRODUCT. IN FACT, THE MANUFACTURER AND/OR DISTRIBUTOR EXPRESSLY STATES THAT ALL REPAIRS AND PARTS REPLACEMENTS SHOULD BE UNDERTAKEN BY CERTIFIED AND LICENSED TECHNICIANS AND NOT BY THE BUYER. THE BUYER ASSUMES ALL RISK AND LIABILITY ARISING OUT OF HIS OR HER REPAIRS TO THE ORIGINAL PRODUCT OR REPLACEMENT PARTS THERETO, OR ARISING OUT OF HIS OR HER INSTALLATION OF REPLACEMENT PARTS THERETO.

Parts list and Diagram

Item	Description	Qty
1	Bolt	3
2	Pump Housing	1
3	Priming Plug	1
4	O-Ring	1
5	Impeller	1
6	C-clip	2
7	Washer	1
8	Mechanical Seal	1
9	Bolt	3
10	O-Ring	1
11	Seal	1
12	Frame	1
13	Ball Bearing	1
14	Key	1
15	Rotor	1
16	Ball Bearing	1
17	Wave Spring	1

Item	Description	Qty
18	Capacitor Box	1
19	Terminal Board	1
20	Motor Housing	1
21	Cable Holder	1
22	End Plate	1
23	Hex Bolt	3
24	Fan	1
25	Fan Cover	1
26	Screw	2
27	Capacitor	1
28	Screw	2
29	Cord Clip	1
30	Screw	1
31	Spring Washer	1
32	Washer	1
33	Power Cord	1
34	Cover	2



Record Product's Serial Number Here: _____

Note: If product has no serial number, record month and year of purchase instead.

Note: Some parts are listed and shown for illustration purposes only, and are not available individually as replacement parts.

Limited 90 Day Warranty

Harbor Freight Tools Co. makes every effort to assure that its products meet high quality and durability standards, and warrants to the original purchaser that this product is free from defects in materials and workmanship for the period of 90 days from the date of purchase. This warranty does not apply to damage due directly or indirectly, to misuse, abuse, negligence or accidents, repairs or alterations outside our facilities, criminal activity, improper installation, normal wear and tear, or to lack of maintenance. We shall in no event be liable for death, injuries to persons or property, or for incidental, contingent, special or consequential damages arising from the use of our product. Some states do not allow the exclusion or limitation of incidental or consequential damages, so the above limitation of exclusion may not apply to you. THIS WARRANTY IS EXPRESSLY IN LIEU OF ALL OTHER WARRANTIES, EXPRESS OR IMPLIED, INCLUDING THE WARRANTIES OF MERCHANTABILITY AND FITNESS.

To take advantage of this warranty, the product or part must be returned to us with transportation charges prepaid. Proof of purchase date and an explanation of the complaint must accompany the merchandise. If our inspection verifies the defect, we will either repair or replace the product at our election or we may elect to refund the purchase price if we cannot readily and quickly provide you with a replacement. We will return repaired products at our expense, but if we determine there is no defect, or that the defect resulted from causes not within the scope of our warranty, then you must bear the cost of returning the product.

This warranty gives you specific legal rights and you may also have other rights which vary from state to state.

3491 Mission Oaks Blvd. • PO Box 6009 • Camarillo, CA 93011 • (800) 444-3353



3491 Mission Oaks Blvd. • PO Box 6009 • Camarillo, CA 93011 • (800) 444-3353

Free Manuals Download Website

<http://myh66.com>

<http://usermanuals.us>

<http://www.somanuals.com>

<http://www.4manuals.cc>

<http://www.manual-lib.com>

<http://www.404manual.com>

<http://www.luxmanual.com>

<http://aubethermostatmanual.com>

Golf course search by state

<http://golfingnear.com>

Email search by domain

<http://emailbydomain.com>

Auto manuals search

<http://auto.somanuals.com>

TV manuals search

<http://tv.somanuals.com>