



12 VOLT UTILITY PUMP

Models 9576, 94639

OPERATING INSTRUCTIONS



Visit our website at: <http://www.harborfreight.com>



**Read this material before using this product.
Failure to do so can result in serious injury.
SAVE THIS MANUAL.**

Copyright© 2006 by Harbor Freight Tools®. All rights reserved. No portion of this manual or any artwork contained herein may be reproduced in any shape or form without the express written consent of Harbor Freight Tools. Diagrams within this manual may not be drawn proportionally. Due to continuing improvements, actual product may differ slightly from the product described herein. Tools required for assembly and service may not be included.

For technical questions or replacement parts, please call 1-800-444-3353.

Manual Revised 10a

SAVE THIS MANUAL

Keep this manual for the safety warnings and precautions, assembly, operating, inspection, maintenance and cleaning procedures. Write the product's serial number in the back of the manual near the assembly diagram (or month and year of purchase if product has no number). Keep this manual and the receipt in a safe and dry place for future reference.

IMPORTANT SAFETY INFORMATION

In this manual, on the labeling, and all other information provided with this product:



This is the safety alert symbol. It is used to alert you to potential personal injury hazards. Obey all safety messages that follow this symbol to avoid possible injury or death.

DANGER

DANGER indicates a hazardous situation which, if not avoided, will result in death or serious injury.

WARNING

WARNING indicates a hazardous situation which, if not avoided, could result in death or serious injury.

CAUTION

CAUTION, used with the safety alert symbol, indicates a hazardous situation which, if not avoided, could result in minor or moderate injury.

NOTICE

NOTICE is used to address practices not related to personal injury.

CAUTION

CAUTION, without the safety alert symbol, is used to address practices not related to personal injury.

General Safety Warnings



WARNING Read all safety warnings and instructions. Failure to follow the warnings and instructions may result in electric shock, fire and/or serious injury.

Save all warnings and instructions for future reference.

1. Keep work area clean and dry. Cluttered, damp, or wet work areas invite injuries.
2. Keep children away from work area. Do not allow children to handle this product.
3. Store idle equipment. When not in use, tools and equipment should be stored in a dry location to inhibit rust. Always lock up tools and equipment, and keep out of reach of children.
4. Do not use this product if under the influence of alcohol or drugs. Read warning labels on prescriptions to determine if your judgement or reflexes are impaired while taking drugs. If there is any doubt, do not attempt to use this product.
5. Wear eye protection. Wear ANSI approved safety impact eye goggles when assembling this product.
6. Dress safely. Do not wear loose clothing or jewelry, as they can become caught in moving parts. Wear a protective hair covering to prevent long hair from becoming caught in moving parts. If

- wearing a long-sleeve shirt, roll sleeves up above elbows.
7. Do not overreach. Keep proper footing and balance at all times to prevent tripping, falling, back injury, etcetera.
 8. Industrial applications must follow OSHA requirements.
 9. Stay alert. Watch what you are doing at all times. Use common sense. Do not use this product when you are tired or distracted from the job at hand.
 10. Check for damaged parts. Before using this product, carefully check that it will operate properly and perform its intended function. Check for damaged parts and any other conditions that may affect the operation of this product. Replace or repair damaged or worn parts immediately.
 11. Replacement parts and accessories: when servicing, use only identical replacement parts. Only use accessories intended for use with this product. Approved accessories are available from harbor freight tools.
 12. Maintain this product with care. Keep this product clean and dry for better and safer performance.
 13. For your safety, service and maintenance should be performed regularly by a qualified technician.
 14. Use the right tool for the job. Do not attempt to force a small tool or attachment to do the work of a larger industrial tool. There are certain applications for which this tool was designed. It will do the job better and more safely at the rate for which it was intended. Do not modify this tool, and do not use this tool for a purpose for which it was not intended.
 15. The warnings, precautions, and instructions discussed in this manual cannot cover all possible conditions and situations that may occur. The operator must understand that common sense and caution are factors, which cannot be built into this product, but must be supplied by the operator.

SPECIFIC PRODUCT WARNINGS AND PRECAUTIONS

1. TO AVOID SERIOUS PERSONAL INJURY AND PROPERTY DAMAGE, **DO NOT ATTEMPT TO USE THIS PRODUCT TO PUMP FLAMMABLE, EXPLOSIVE, OR CORROSIVE LIQUIDS.**
2. **USE ONLY A 12 VOLT DC ELECTRICAL SYSTEM TO POWER THIS PUMP.**
3. Maintain a safe working environment. Keep the work area well lit. Make sure there is adequate surrounding workspace. Keep the work area free of obstructions, sawdust, grease, oil, standing water, trash, and other debris.
4. Avoid electrical shock. Use caution when connecting the utility pump to a 12 volt, DC electrical system. Use caution when working with uninsulated conductors or bus bars. Prevent body contact with grounded surfaces. Avoid stepping in standing water or other liquids.
5. This utility pump is designed for intermittent use only. Do not use the utility pump over excessive lengths of time, as premature wearing will result.
6. Secure the discharge hose (not included) before starting the utility pump. An unsecured hose may whip, causing personal injury and/or property damage.

7. Do not allow the utility pump to run dry. Fill the pump (23) chamber with liquid before operation. Failing to do so may damage the seal ring (22), which depends on the liquid for its lubrication.
8. In cold weather, when the utility pump is not in use, protect the interior of the pump from freezing by draining the liquid and pumping a permanent type automobile antifreeze containing a rust inhibitor through the system. A 50% mixture with water is recommended. Be sure to thoroughly flush the system with a neutralizing liquid prior to reuse of the unit.
9. If used on a boat, read and understand all instructions and safety precautions as outlined in the manufacturer's manual for the boat on which the utility pump will be used.
10. **Lead-acid batteries generate hydrogen gas during normal operation. Hydrogen gas is: explosive and highly flammable.**
11. If connecting the utility pump temporarily to a lead-acid battery, wear ANSI approved, safety impact eye goggles.
12. Avoid contact with battery acid. If splashed, immediately wash affected area with clean water. Continue washing area until medical help is available.
13. If the utility pump is used on a boat, turn off the boat ignition before making power cord (1) connections.
14. If used on a boat, always connect the red power cord (1) on the utility pump to the positive (+) side of the boat's 12 volt DC electrical system.
15. Connect the black power cord (1) on the utility pump to the negative (--) side of the boat's 12 volt electrical system.
16. When connecting the power cords (1) to the boat's 12 volt DC electrical system, connect the red power cord first. **Then, connect the black power cord. When disconnecting the power cords from the electrical system, disconnect the black power cord first. Then, disconnect the red power cord.**
17. Turn the boat's ignition switch to its "off" position and disconnect the utility pump from the boat's 12 volt DC electrical system before performing any inspection, adjustments, maintenance, or cleaning procedures on the pump.
18. DO NOT SUBMERGE THE UTILITY PUMP IN WATER.
19. People with pacemakers should consult their physician(s) before using this product. Electromagnetic fields in close proximity to a heart pacemaker could cause interference to or failure of the pacemaker.

SPECIFICATIONS

Model	9576	94639
Motor	12 VDC / 50 W / 4,500 RPM	12 VDC / 110 W / 4,500 RPM
Application	Utility Water Pumping, including marine applications	Utility Water Pumping
Power Wires	18 AWG x 19" Long (Qty. 2)	
Discharge Height*	23 ft.	
Flow Rate*	200 GPH	300 GPH
Self Priming	Yes	
Construction	Stainless Steel Pump Housing Steel Motor Housing	
Dual Threaded Inlet	3/8"-18 NPT Female I.D. 3/4" Male O.D.	
Dimensions	5-3/4" L x 2-1/2" Dia. x 4" H	

***Note:** For optimal performance, the suction hose (not included) I.D. must be at least the same size as the suction flange and free of air leaks. All joints and connections of the suction hose should be securely tightened to prevent air from entering the suction side. Use a good grade suction hose that will not collapse. In addition, the height from the inlet to the pump and then the height from the outlet to the discharge will **greatly** impact pump performance.

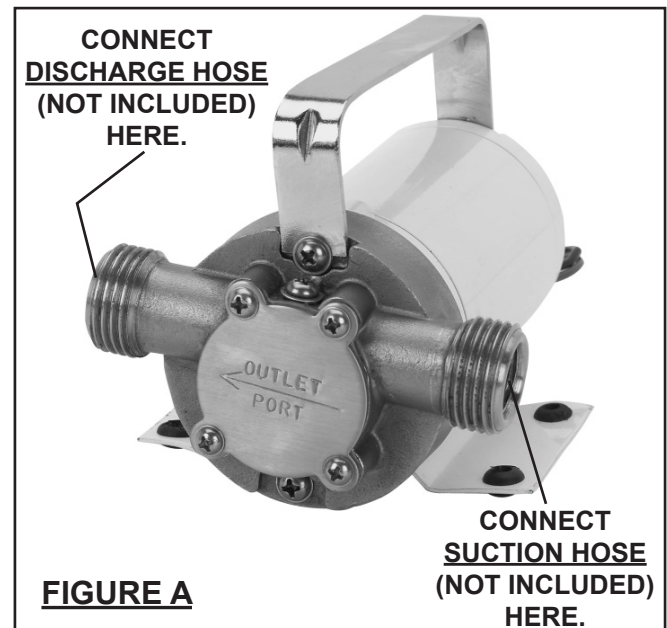
UNPACKING

When unpacking, make sure the item is intact and undamaged. If any parts are missing or broken, please call Harbor Freight Tools at 1-800-444-3353 as soon as possible.

OPERATING INSTRUCTIONS

NOTE: For additional reference to the parts mentioned in the following pages, refer to the **Assembly Diagram at the end of this manual.**

NOTE: Mount the pump permanently to a flat surface only. Do not mount the Pump on a rounded surface. (Hardware for permanently mounting the Utility Pump is not included.)



1. The Inlet and Outlet Ports on the Utility Pump are both *dual threaded* with an Inside Diameter of 3/8" NPT and an Outside Diameter of 3/4". This allows for more versatility in selecting a suction hose and discharge hose (not included) with the proper threaded male or female connector. **(See Figure A.)**
2. If you are connecting a suction hose having a threaded *male* connector, wrap about 4" of pipe seal tape (not included) around the threads of the *male* connector. Then, firmly screw the *male* connector into the threaded *female* connector of the Utility Pump. Repeat

this process for the discharge hose having a threaded *male* connector.

3. If you are connecting a suction hose having a threaded *female* connector, wrap about 4" of pipe seal tape (not included) around the threads of the *male* connector of the Utility Pump. Then, firmly screw the *female* connector of the suction hose onto the threaded *male* connector of the Utility Pump. Repeat this process for the discharge hose having a threaded *female* connector.

Note: Depending on the make/model of boat on which the Utility Pump will be used, there are many variations as to connecting the Utility Pump to the boat's 12 Volt DC electrical system. Therefore, it is recommended that only a *qualified* technician perform this procedure.

Note: It is highly recommended that a circuit protection device and control switch be used when permanently installing this pump. Refer to the section, "***Specific Product Warnings and Precautions***" in this manual for further instructions.

INSPECTION, MAINTENANCE, AND CLEANING

CAUTION TO PREVENT INJURY AND FIRE FROM

ACCIDENTAL OPERATION OR SPARKING:

Turn the Boat's Ignition Switch to its "OFF" position and disconnect the Power Cords (1) from the boat's 12 Volt DC electrical system before performing any inspection, maintenance, or cleaning.

1. **BEFORE EACH USE**, inspect the general condition of the Utility Pump. Check for loose screws, misalignment

or binding of moving parts, cracked or broken parts, damaged electrical wiring, loose or leaking suction and discharge hoses, and any other condition that may affect the safe and efficient operation of the Utility Pump. If abnormal noise or vibration occurs, have the problem corrected before further use. **Do not use damaged equipment.**

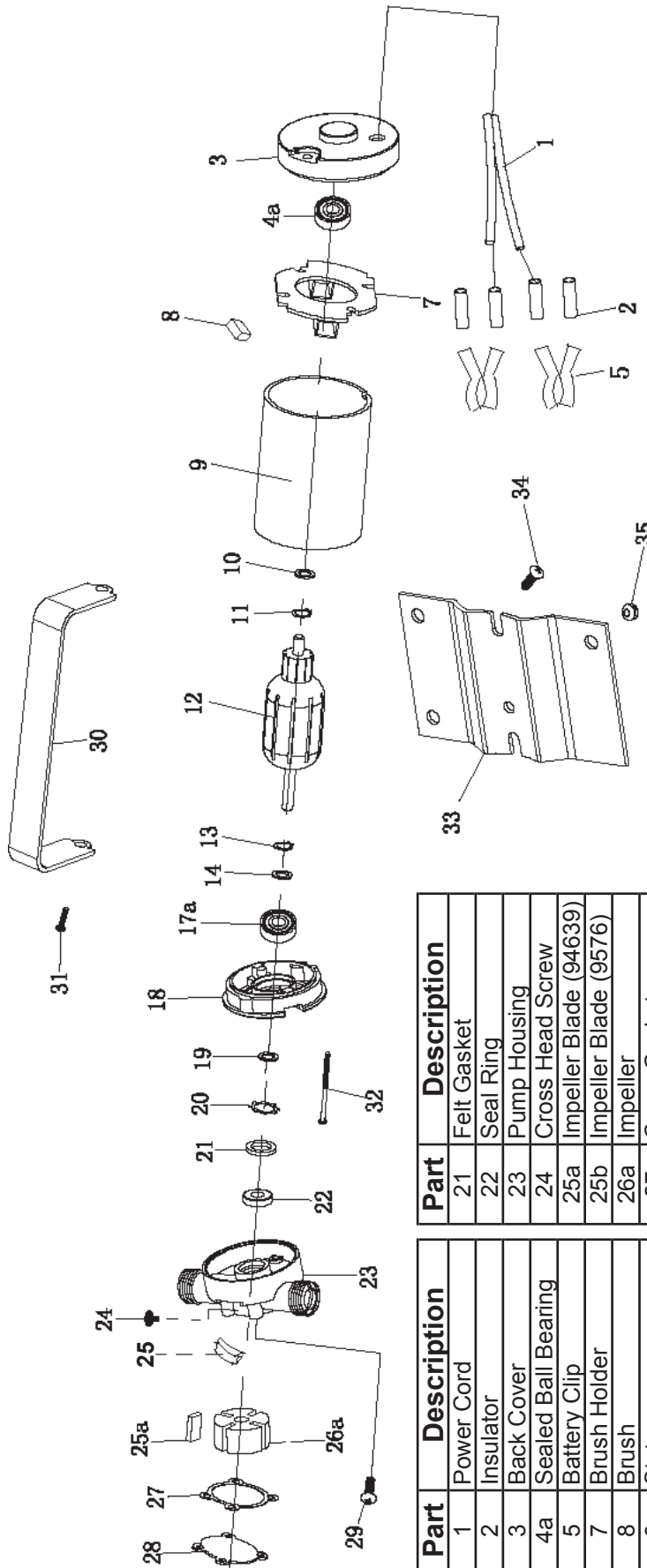
2. **WHEN NECESSARY:** With a clean, dry cloth, or vacuum, remove all dirt and debris from the Utility Pump.

PLEASE READ THE FOLLOWING CAREFULLY

THE MANUFACTURER AND/OR DISTRIBUTOR HAS PROVIDED THE PARTS LIST AND ASSEMBLY DIAGRAM IN THIS MANUAL AS A REFERENCE TOOL ONLY. NEITHER THE MANUFACTURER OR DISTRIBUTOR MAKES ANY REPRESENTATION OR WARRANTY OF ANY KIND TO THE BUYER THAT HE OR SHE IS QUALIFIED TO MAKE ANY REPAIRS TO THE PRODUCT, OR THAT HE OR SHE IS QUALIFIED TO REPLACE ANY PARTS OF THE PRODUCT. IN FACT, THE MANUFACTURER AND/OR DISTRIBUTOR EXPRESSLY STATES THAT ALL REPAIRS AND PARTS REPLACEMENTS SHOULD BE UNDERTAKEN BY CERTIFIED AND LICENSED TECHNICIANS, AND NOT BY THE BUYER. THE BUYER ASSUMES ALL RISK AND LIABILITY ARISING OUT OF HIS OR HER REPAIRS TO THE ORIGINAL PRODUCT OR REPLACEMENT PARTS THERETO, OR ARISING OUT OF HIS OR HER INSTALLATION OF REPLACEMENT PARTS THERETO.

PARTS LIST AND ASSEMBLY DIAGRAM

Note: When ordering parts, specify the model number the parts are being ordered for.



Part	Description
21	Felt Gasket
22	Seal Ring
23	Pump Housing
24	Cross Head Screw
25a	Impeller Blade (94639)
25b	Impeller Blade (9576)
26a	Impeller
27	Cover Gasket
28	Pump Cover
29	Cross Head Screw
30	Handle
31	Cross Head Screw
32	Bolt
33	Base Plate
34	Cross Head Screw
35	Rubber Foot

Part	Description
1	Power Cord
2	Insulator
3	Back Cover
4a	Sealed Ball Bearing
5	Battery Clip
7	Brush Holder
8	Brush
9	Stator
10	Flat Washer
11	C-Clip
12	Armature
13	C-Clip
14	Flat Washer
17a	Sealed Ball Bearing
18	Front Cover
19	Retaining Ring
20	Sealed Spring Washer

Record Product's Serial Number Here:

Note: If product has no serial number, record month and year of purchase instead.

Note: Some parts are listed and shown for illustration purposes only, and are not available individually as replacement parts.

LIMITED 1 YEAR / 90 DAY WARRANTY

Harbor Freight Tools Co. makes every effort to assure that its products meet high quality and durability standards, and warrants to the original purchaser that for a period of ninety days from date of purchase that the engine/motor, the belts (if so equipped), and the blades (if so equipped) are free of defects in materials and workmanship. Harbor Freight Tools also warrants to the original purchaser, for a period of one year from date of purchase, that all other parts and components of the product are free from defects in materials and workmanship (90 days if used by a professional contractor or if used as rental equipment). This warranty does not apply to damage due directly or indirectly, to misuse, abuse, negligence or accidents, repairs or alterations outside our facilities, normal wear and tear, or to lack of maintenance. We shall in no event be liable for death, injuries to persons or property, or for incidental, contingent, special or consequential damages arising from the use of our product. Some states do not allow the exclusion or limitation of incidental or consequential damages, so the above limitation of exclusion may not apply to you. THIS WARRANTY IS EXPRESSLY IN LIEU OF ALL OTHER WARRANTIES, EXPRESS OR IMPLIED, INCLUDING THE WARRANTIES OF MERCHANTABILITY AND FITNESS.

To take advantage of this warranty, the product or part must be returned to us with transportation charges prepaid. Proof of purchase date and an explanation of the complaint must accompany the merchandise. If our inspection verifies the defect, we will either repair or replace the product at our election or we may elect to refund the purchase price if we cannot readily and quickly provide you with a replacement. We will return repaired products at our expense, but if we determine there is no defect, or that the defect resulted from causes not within the scope of our warranty, then you must bear the cost of returning the product.

This warranty gives you specific legal rights and you may also have other rights which vary from state to state.

**3491 Mission Oaks Blvd. • PO Box 6009
Camarillo, CA 93011 • (800) 444-3353**

Free Manuals Download Website

<http://myh66.com>

<http://usermanuals.us>

<http://www.somanuals.com>

<http://www.4manuals.cc>

<http://www.manual-lib.com>

<http://www.404manual.com>

<http://www.luxmanual.com>

<http://aubethermostatmanual.com>

Golf course search by state

<http://golfingnear.com>

Email search by domain

<http://emailbydomain.com>

Auto manuals search

<http://auto.somanuals.com>

TV manuals search

<http://tv.somanuals.com>