

QUICK ACTION 8-POSITION WORKBENCH

Model 47078

ASSEMBLY & OPERATING INSTRUCTIONS



Visit Our Web Site
<http://www.harborfreight.com>



Copyright © 2003 by Harbor Freight Tools®. All rights reserved. No portion of this manual or any artwork contained herein may be reproduced in any shape or form without the express written consent of Harbor Freight Tools.

For technical questions and replacement parts please call 1-800-444-3353.

THANK YOU for choosing a **HARBOR FREIGHT TOOLS** product. For future reference, please complete the owner's record below:

Model _____ Serial No. _____ Purchase Date _____

Save This Manual

You will need the manual for the safety warnings and precautions, assembly instructions, operating and maintenance procedures, parts list and diagram. Keep your invoice with this manual. Write the invoice number on the inside of the front cover. Keep the manual and invoice in a safe and dry place for future reference.

Technical Specifications

Construction: Cast Aluminum Frame and Steel with welded hinges
Height: 30-3/8"
Table Size: 16" W x 24" Long with 4" clamp travel
Max. Load Capacity: 375 LBS.
The Workbench has 12 dog Holes and 12 Dogs. It has eight (8) adjustment settings along with a 23-5/8" Ruler.



READ ALL INSTRUCTIONS BEFORE USING THIS PRODUCT!

Safety Warnings and Precautions

WARNING: When using product, basic safety precautions should always be followed to reduce the risk of personal injury and damage to equipment.

Read all instructions before using this product!

1. **Keep work area clean.** Cluttered areas invite injuries.
2. **Observe work area conditions.** Do not use this product in damp or wet locations. Don't expose to rain. Keep work area well lighted.
3. **Store idle equipment.** When not in use, products must be stored in a dry location to inhibit rust. Always lock up products and keep out of reach of children.
4. **Use the right product for the job.** There are certain applications for which this product was designed. It will do the job better and more safely at the rate for which it was intended. Do not modify this product and do not use this product for a purpose for which it was not intended.
5. **Check for damaged parts.** Before using any product, any part that appears damaged should be carefully checked to determine that it will operate properly and perform its intended function. Check for any broken or damaged parts and any other conditions that may affect its operation. Replace or repair damaged or worn parts immediately.
6. **Replacement parts and accessories.** When servicing, use only identical replacement parts. Use of any other parts will void the warranty.
7. **Do not operate product if under the influence of alcohol or drugs.** Read warning labels on prescriptions to determine if your judgment or reflexes are impaired while taking drugs. If there is any doubt, do not operate the product.

8. **Use eye and ear protection.** Always wear ANSI approved impact safety goggles.
9. **Do not exceed products maximum load capacity.** Make certain that the Workbench can support all tools and accessories, as well as any workpiece.
10. **Avoid Sharp edges when assembling.**
11. **Always check hardware and assembled parts after assembling.** Place in an area that is flat and level. All connections should be tight and hardware tightened.
12. **Do not allow children to play on, stand upon or climb upon the Workbench.**

Warning: The warnings, cautions, and instructions discussed in this instruction manual cannot cover all possible conditions and situations that may occur. It must be understood by the operator that common sense and caution are factors which cannot be built into this product, but must be supplied by the operator.

Assembly

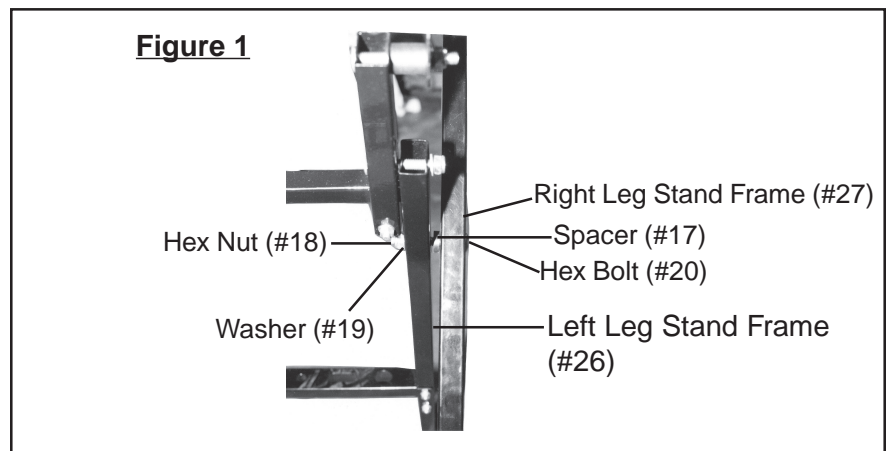
Your Quick Action 8-Position Workbench will require complete assembly prior to use. It is important that you read the entire manual to become familiar with the product BEFORE use. Before assembling the Workbench be sure that you have all parts described in the Parts List and Assembly Diagram located on the last pages of this manual.

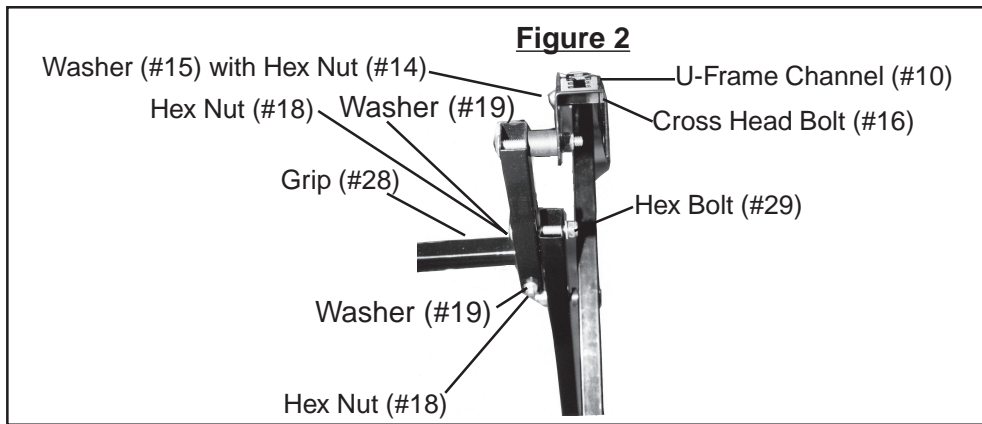
Step 1) Locate the two (2) Left Leg Stand Frames (#26). Attach Tool Holder (front) (#24) to the Left Leg Stand Frames (#26) by inserting a Hex Bolt (#29) through each corner of the Tool Holder (front) and through the Left Leg Stand Frame(s). Slide on Flat Washer (#19) and fasten Hex Nut M6 (#18).

Step 2) Locate the two (2) Right Leg Stand Frames (#27) and attach Tool Holder (back) (#25) by inserting a Hex Bolt (#29) through each corner of the Tool Holder (back) (#25) and through the Right Leg Stand Frame (#27). Slide on Flat Washers (#19) and fasten in place with Hex Nut M6 (#18).

Step 3) Attach the Left Leg Stand Frames (#26) to Right Leg Stand Frames (#27). Insert Hex Bolt (#20) through Right Leg Stand Frames (#27) and slide on Spacer (#17) then slide on Left Leg Stand Frame and Washer (#19). Secure with Hex Nut (#18). Repeat for second side of Workbench-see Figure 1.

Step 4) Attach the Grip (#28) to the lowest hole in the top extension of the Left Leg Stand Frames (#26) with Hex Bolt (#29) Washer (#19) and Hex Nut (#18)-see Figure 2.

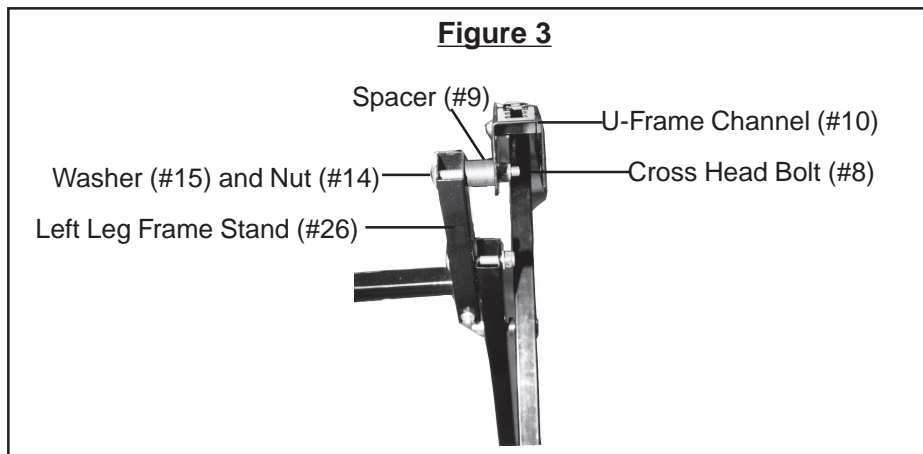




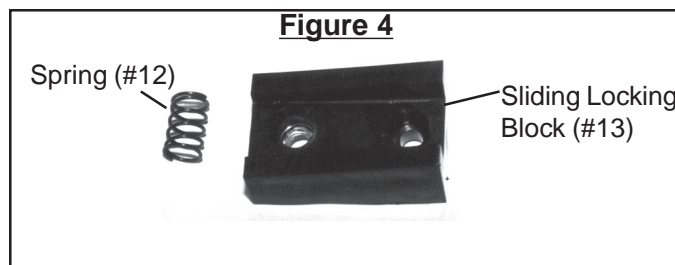
Step 5) Through the center hole in the extension, insert Hex Bolt (#29), slide on Washer (#19) and fasten with Nut (#18)-see Figure 2.

Step 6) Set the U-Frame Channel (#10) on top of the Right Leg Stand Frame (#27) as shown in Figure 2. Attach the U-Frame Channel (#10) to the Right Leg Stand Frame (#27) with Cross Head Bolt (#16); slide on Washer (#15) and tighten on Hex Nut (#14)-see Figure 2.

Step 7) Attach the Left Leg Frame Stand (#26) extension to the U-Frame Channel (#10). First, hold the Spacer 22 mm (#9) between the Left Leg Frame Stand (#26) and the U-Frame Channel (#10), then insert the Cross Head Bolt (#8) through Left Leg Frame Stand (#26) through Spacer (#9) and through U-Frame Channel (#10). Slide on Washer (#15) and Nut (#14)-refer to Figure 3.



Step 8) On the underside of the U-Frame Channel (#10), insert the Sliding Locking Block (#13) with Spring (#12) (see Figure 4) and Check Pawl (#11). On the top of the U-Frame Channel, set the Connecting Part (#7).

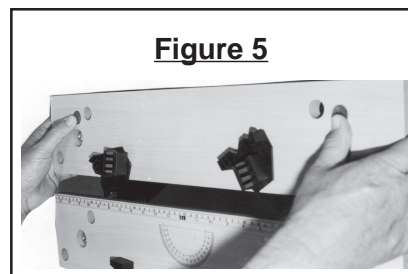


- Step 9) Lay the Table Top Back (#6) on top of the Connecting Parts (#7). Through the inside hole, insert Cross Head Bolt (#3) with Washer (#4) so that it threads down through the Connecting Part (#7) and into the Check Pawl (#11) and Sliding Locking Block (#13).
- Step 10) Through the outside holes in the Table Top Back (#6), thread the Push Button (#2) into the Connecting Part (#7) and into the Check Pawl (#11) and Sliding Locking Block (#12).
- Step 11) Lay the TableTop (front) (#23) onto the Threaded Sliding Blocks (#21) which are set in place on the U-Frame Channel (#10). Screw in Cross Head Bolt (#22) with Washer (#4) through the Table Top (front) and into the Threaded Sliding Blocks (#21).
- Step 12) As necessary, attach Rubber Feet (#30) to each Leg Stand Frame.

Operation

The Quick Action 8-Position Workbench folds for easy travel and storage.

- Step 1) The Table Top (front) (#23) can be moved by turning the Handles on the U-Frame Channel (#10). Turning the Handle clockwise will move the Table Top in towards the other Table Top. Turning the Handle counterclockwise will move the Table Top (front) (#23) out.
- Step 2) Pressing on the red Push Buttons (#2) with your thumb allows you to grasp the Table Top (back) (#6) with your hands and fingers and slide it forward or backward while the Push Buttons (#2) are pressed down. Releasing the Push Buttons (#2) will lock the Table into place-see Figure 5.



- Step 3) The Swivel Pegs (#1) and Peg Supports (#5) can be placed into any hole in the Work Table top provide a block to secure and block your workpiece.

PLEASE READ THE FOLLOWING CAREFULLY

THE MANUFACTURER AND/OR DISTRIBUTOR HAS PROVIDED THE PARTS DIAGRAM IN THIS MANUAL AS A REFERENCE TOOL ONLY. NEITHER THE MANUFACTURER NOR DISTRIBUTOR MAKES ANY REPRESENTATION OR WARRANTY OF ANY KIND TO THE BUYER THAT HE OR SHE IS QUALIFIED TO MAKE ANY REPAIRS TO THE PRODUCT OR THAT HE OR SHE IS QUALIFIED TO REPLACE ANY PARTS OF THE PRODUCT. IN FACT, THE MANUFACTURER AND/OR DISTRIBUTOR EXPRESSLY STATES THAT ALL REPAIRS AND PARTS REPLACEMENTS SHOULD BE UNDERTAKEN BY CERTIFIED AND LICENSED TECHNICIANS AND NOT BY THE BUYER. THE BUYER ASSUMES ALL RISK AND LIABILITY ARISING OUT OF HIS OR HER REPAIRS TO THE ORIGINAL PRODUCT OR REPLACEMENT PARTS THERETO, OR ARISING OUT OF HIS OR HER INSTALLATION OF REPLACEMENT PARTS THERETO.

Unpacking

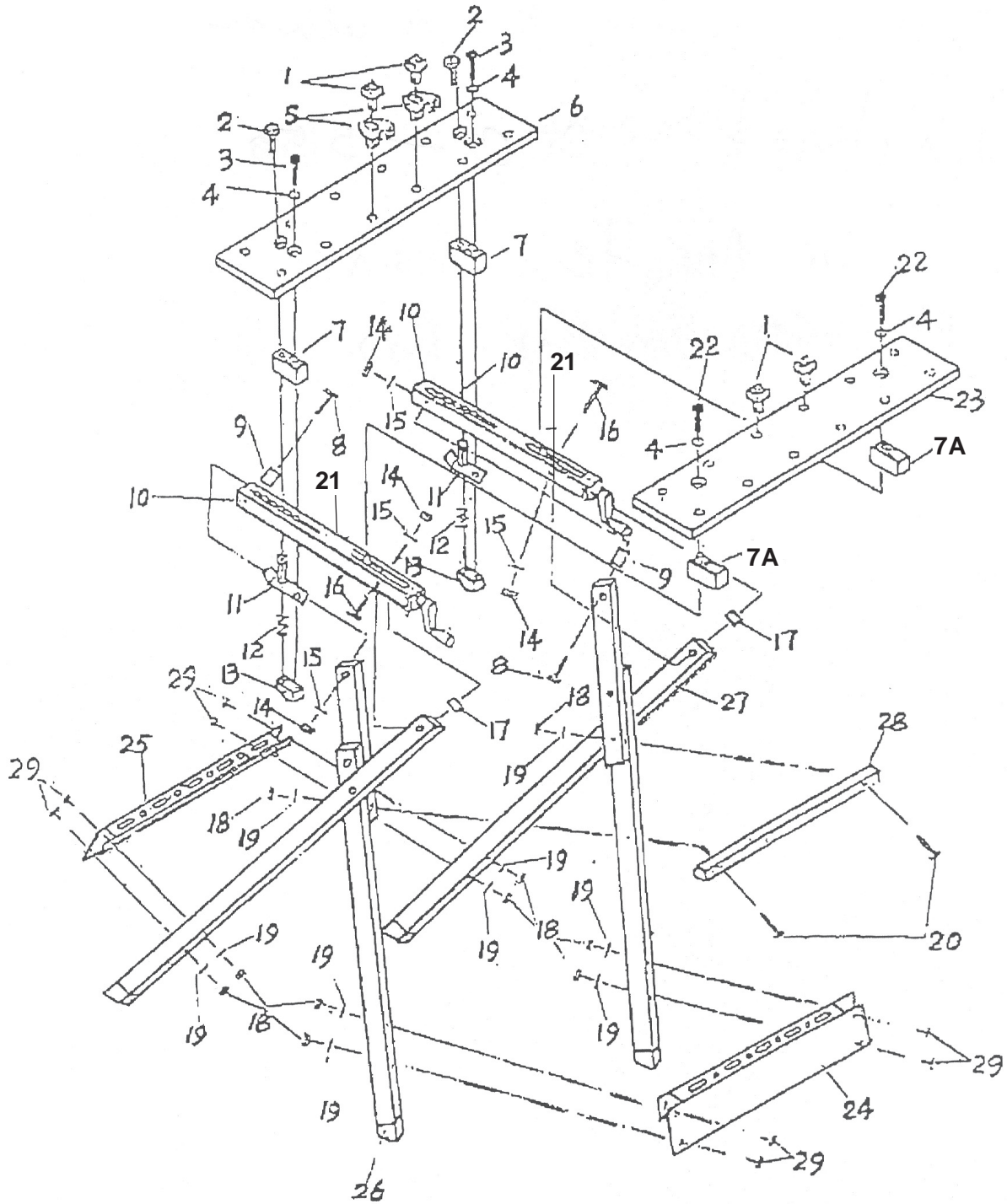
When unpacking your Quick Action 8-Position Workbench, check to make sure the following parts are included. If any parts are missing or broken, please call **HARBOR FREIGHT TOOLS** at **1-800-444-3353**.

Parts List- Quick Action 8-Position Workbench

Part #	Description	Quantity	Part #	Description	Quantity
1	Swivel Peg	4	16	Cross Head Bolt m 8 x 45	2
2	Push Button	2	17	Spacer 9.5 mm	2
3	Cross head Bolt M8 x 65	2	18	Hex Nut	10
4	Washer 8 x 21 mm	4	19	Flat Washer 6 x 12 mm	10
5	Peg Support	2	20	Hex Bolt M6 x 58	2
6	Table Top (back)	1	21	Threaded Sliding Block	2
7	Connecting Part	2	22	Cross Head Bolt M8 x 50	2
7A	Connecting Part	2	23	Table Top (front)	1
8	Cross Head Bolt M8 x 55	2	24	Tool Holder (front)	1
9	Spacer 22 mm	2	25	Tool Holder (back)	1
10	U-Frame Channel	2	26	Left Leg Stand Frame	1
11	Check Pawl	2	27	Right Leg Stand Frame	1
12	Spring	2	28	Grip	1
13	Sliding Locking Block	2	29	Hex Bolt M 6 x 35	8
14	Hex Nut M 8	4	30	Rubber Feet	4
15	Flat Washer 8 x 16 mm	4			

Note: Some parts are listed and shown for illustration purposes only and are not available individually as replacement parts.

Parts/Assembly Diagram



Free Manuals Download Website

<http://myh66.com>

<http://usermanuals.us>

<http://www.somanuals.com>

<http://www.4manuals.cc>

<http://www.manual-lib.com>

<http://www.404manual.com>

<http://www.luxmanual.com>

<http://aubethermostatmanual.com>

Golf course search by state

<http://golfingnear.com>

Email search by domain

<http://emailbydomain.com>

Auto manuals search

<http://auto.somanuals.com>

TV manuals search

<http://tv.somanuals.com>