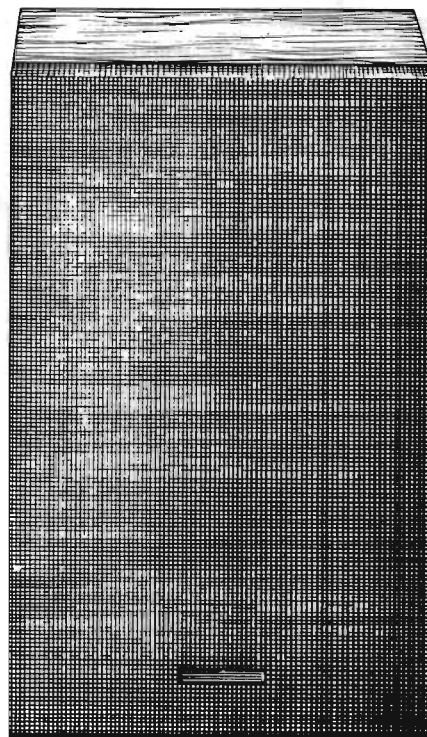
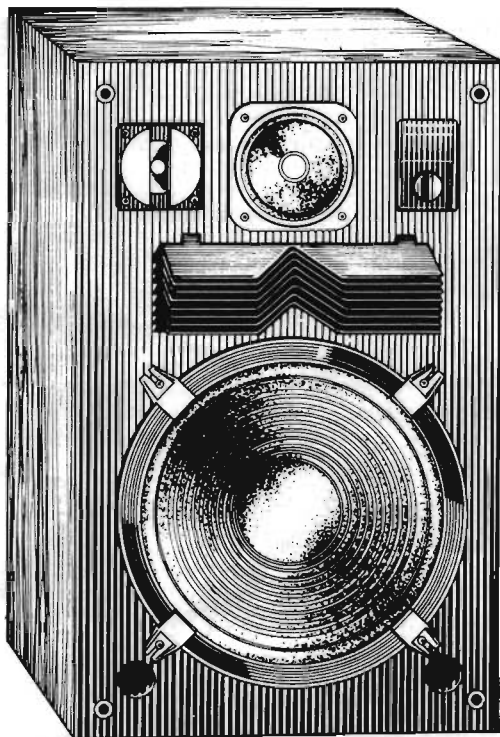


The Harman Kardon Model S200P

Manual No. 26A

4-WAY 4-SPEAKER SYSTEM

Technical Manual



harman/kardon

240 CROSSWAYS PARK WEST, WOODBURY, N.Y. 11797
PRINTED IN JAPAN 1112-H15226A6 P-07819

SPECIFICATIONS

| | | | |
|---------------------|--|-----------------------|-------------------------------|
| Speakers | | Impedance | 8 Ω |
| Woofer | 330 mm (13") Cone Type x 1 | Sensitivity | 96 dB/W(at 1 m) |
| Midrange | 121 mm (4-3/4") Cone Type x 1 | Frequency Response | 27 Hz to 22,000 Hz |
| Tweeter | 154 mm x 51 mm (6-1/16" x 2") Horn Type with Diffuser x 1 | Crossover Frequencies | 2,500 Hz, 6,000 Hz, 15,000 Hz |
| Super Tweeter | 50 mm (2") Cone Type x 1 | Dimensions | W 408 mm (16-1/16") |
| Max. Power Input | 200 Watts | | H 648 mm (25-1/2") |
| Nominal Power Input | 100 Watts | Weight | D 270 mm (10-5/8") |
| | | | 14.8 kg (32.6 lbs.) |

Specifications and components subject to change without notice.
Overall performance will be maintained or improved.

DISASSEMBLY PROCEDURES

SPEAKER (WOOFER) REMOVAL

1. Pull up front grille.
2. Remove four screws **A** fixing the holder to the speaker box.
3. Remove four screws **B** fixing the speaker (woofer) to the speaker box.
4. Disconnect the leads (green and black) w/connector connecting to the speaker (woofer).

SPEAKER (MID-RANGE) REMOVAL

5. Complete steps 1 through 4.
6. Remove four screws **C** fixing the speaker (mid-range) to the speaker box.
7. Disconnect the leads (blue and black) w/connector connecting to the speaker (mid-range).

SPEAKER (HORN TWEETER) REMOVAL

8. Complete steps 1 through 7.
9. Remove four screws **D** fixing the speaker (horn tweeter) to the speaker box.
10. Disconnect the leads (red and black) w/connector connecting to the speaker (horn tweeter).

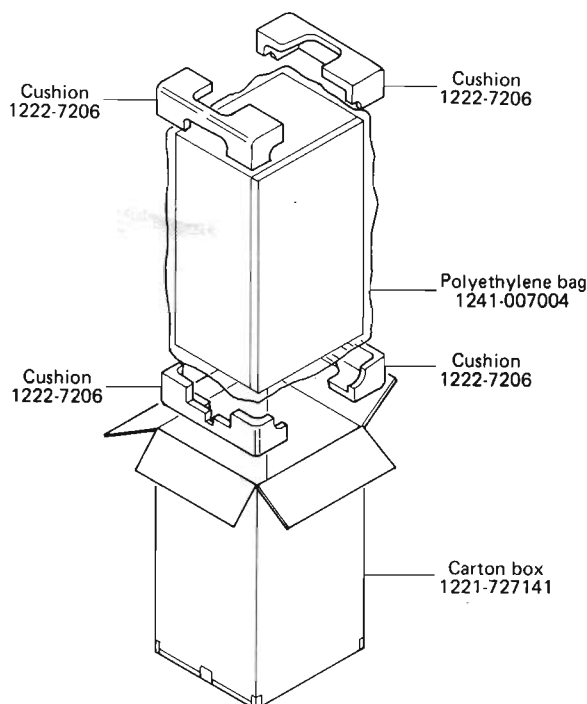
SPEAKER (SUPER TWEETER) REMOVAL

11. Complete steps 1 through 10.
12. Remove four screws **E** fixing the speaker (super tweeter) to the speaker box.
13. Disconnect the leads (yellow and black) w/connector connecting to the speaker (super tweeter).

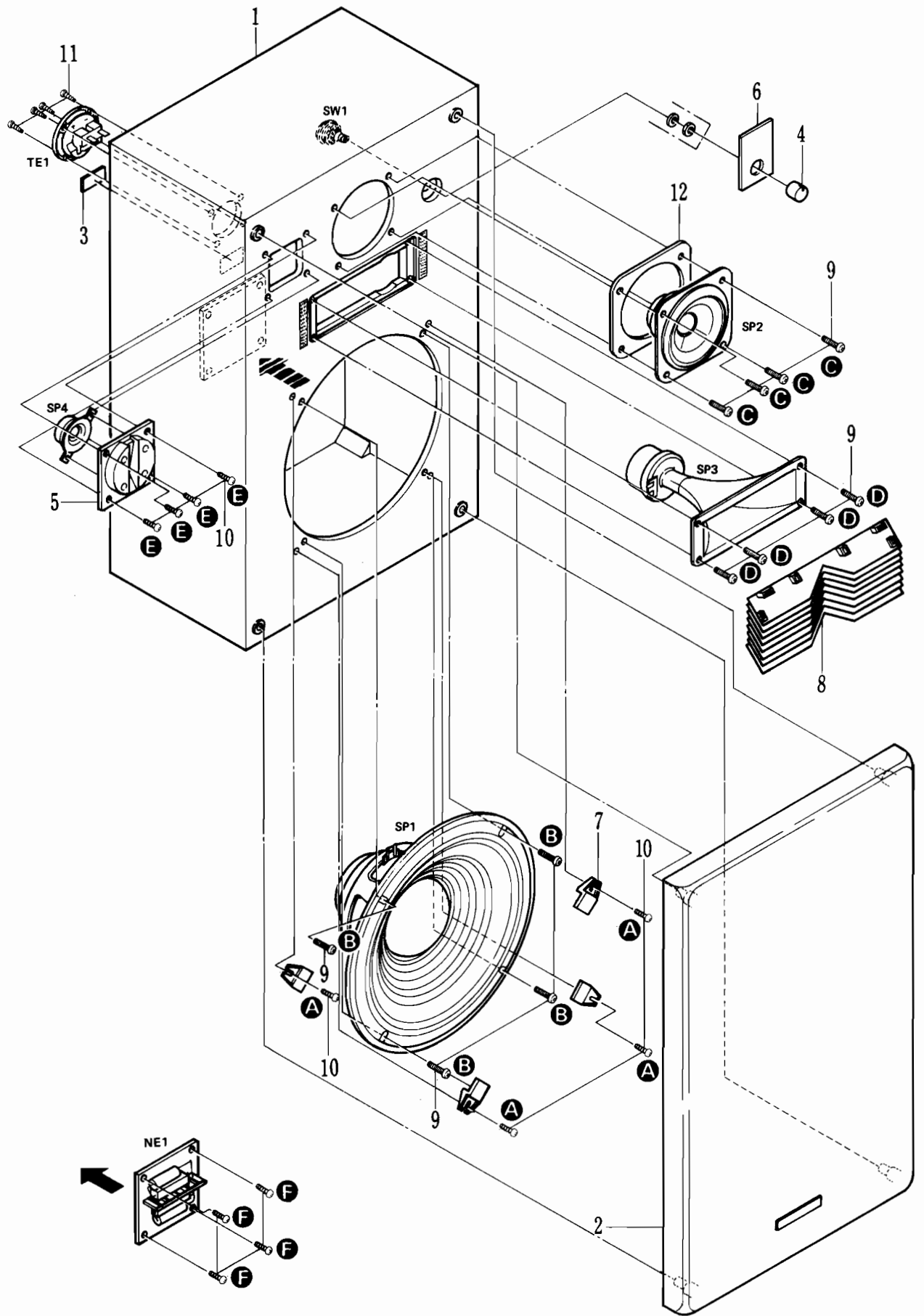
NETWORK REMOVAL

14. Complete steps 1 through 13.
15. Disconnect the leads (green and black) w/connector connecting to the terminal.
16. Remove the nut fixing level control switch on the speaker box.
17. Remove four screws **F** fixing the network to the speaker box.

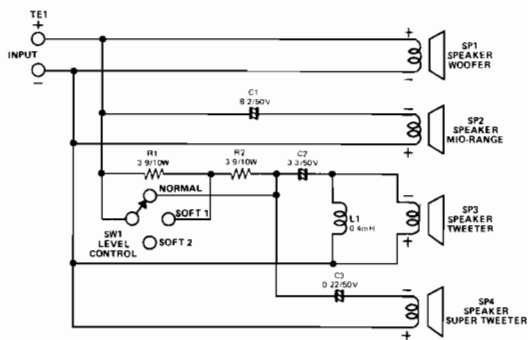
PACKAGE



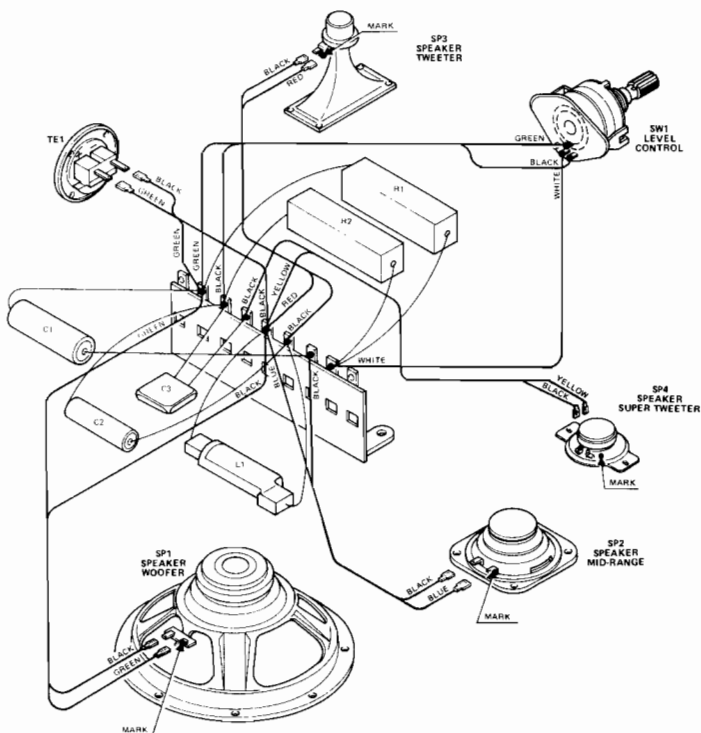
GENERAL UNIT EXPLODED VIEW



SCHEMATIC DIAGRAM



WIRING DIAGRAM



GENERAL UNIT PARTS LIST

| Ref. No. | Part No. | Description |
|----------|-------------|--------------------------------|
| 1 | 1315-717025 | Speaker Box |
| 2 | 1525-00301 | Front Grille |
| 3 | 1756-04603 | Label |
| 4 | 1632-09401 | Knob, Level Control |
| 5 | 1562-02901 | Frame, Super Tweeter Speaker |
| 6 | 1721-01802 | Indication Plate |
| 7 | 2244-7001 | Holder, Woofer Speaker |
| 8 | 1522-01401 | Diffuser, Horn Tweeter Speaker |
| 9 | 2327-402049 | Special Screw |
| 10 | 2347-40164 | Special Screw |
| 11 | 2354-31134 | Special Screw |
| 12 | 2116-0113 | Packing, Midrange Speaker |

ELECTRICAL PARTS LIST

| | | |
|-----|---------------|-----------------------------------|
| SP1 | 5811-C330711 | Speaker, Woofer, 330mm |
| SP2 | 5811-C1207129 | Speaker, Midrange, 121mm |
| SP3 | 5817-1 → ◆ | Speaker, Horn Tweeter, 154 x 51mm |
| SP4 | 5811-C0507124 | Speaker, Super Tweeter, 50mm |
| TE1 | 4215-7006 | Terminal |
| NE1 | 4381-7001 | Network |

Free Manuals Download Website

<http://myh66.com>

<http://usermanuals.us>

<http://www.somanuals.com>

<http://www.4manuals.cc>

<http://www.manual-lib.com>

<http://www.404manual.com>

<http://www.luxmanual.com>

<http://aubethermostatmanual.com>

Golf course search by state

<http://golfingnear.com>

Email search by domain

<http://emailbydomain.com>

Auto manuals search

<http://auto.somanuals.com>

TV manuals search

<http://tv.somanuals.com>