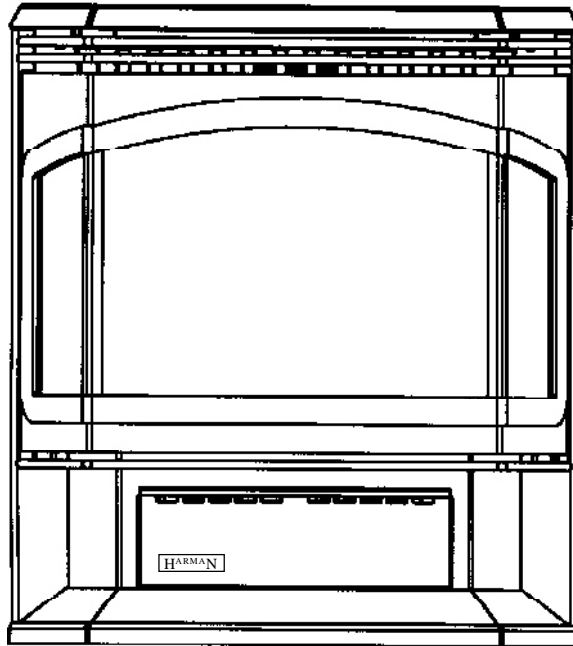


Installation & Operating Manual

The Harman Clarity 929 DV Direct Vent Gas Stove



"Ce manuel est disponible en Français sur demande"

R5

SAFETY NOTICE

PLEASE READ THIS ENTIRE MANUAL BEFORE YOU INSTALL AND USE YOUR NEW ROOM HEATER. FAILURE TO FOLLOW INSTRUCTIONS MAY RESULT IN PROPERTY DAMAGE, BODILY INJURY, OR EVEN DEATH.

FOR USE IN THE U.S. AND CANADA. SUITABLE FOR INSTALLATION IN MOBILE HOMES

IF THIS HARMAN STOVE IS NOT PROPERLY INSTALLED, A HOUSE FIRE MAY RESULT. FOR YOUR SAFETY, FOLLOW INSTALLATION DIRECTIONS.

CONTACT LOCAL BUILDING OR FIRE OFFICIALS ABOUT RESTRICTIONS AND INSTALLATION INSPECTION REQUIREMENTS IN YOUR AREA.

CONTACT YOUR LOCAL AUTHORITY (SUCH AS MUNICIPAL BUILDING DEPARTMENT, FIRE DEPARTMENT, FIRE PREVENTION BUREAU, ETC.) TO DETERMINE THE NEED FOR A PERMIT.

CETTE GUIDE D'UTILISATION EST DISPONIBLE EN FRANCAIS. CHEZ VOTRE CONCESSIONNAIRE DE HARMAN STOVE COMPANY.

SAVE THESE INSTRUCTIONS.

CONTENTS

INTRODUCTION	3
INSTALLATION	4
Clearances.....	4
Venting.....	5
Requirements for Terminating the Venting	6
Assembly	7
Connecting to a Gas Supply	9
Connecting the Cordset.....	10
Connecting the Thermostat.....	10
Air Shutter Adjustment	11
Monitoring the Gas Flame.....	11
OPERATION	12
How to Light the Fire.....	12
How to Turn Off the Fire	12
Lighting Instructions.....	13
MAINTENANCE.....	14
Removing the Glass	14
Replacing the Gasket.....	14
Cleaning the Glass	14
Inspecting the Venting	14
Cleaning the Logset and Firebox...	14
PARTS LIST & DRAWING	16-17
BURNER MODULE	18
SPECIFICATIONS	19
APPENDIX A: FUEL CONVERSION	20
APPENDIX B: ALTITUDE DE-RATING..	21
VENTING REFERENCE CHARTS.....	22-23
WARRANTY	24

Manufactured by:
Harman Stove Co.
352 Mountain House Road
Halifax, PA 17032



Tested by
Inchcape Testing/Warnock Hersey
8431 Murphy Drive
Middleton, WI 53562



INTRODUCTION

The Harman Clarity Direct Vent 929DV Gas Heater is a listed gas-fired direct vent room heater tested by Inchcape Testing/Warnock Hersey to ANSI standard Z21.88-2002, CSA 2.33-M02, and CAN/CGA-2.17-M91.

The installation of the Clarity Direct Vent Gas Heater must conform with local codes, or in the absence of local codes, with National Fuel Gas Code, ANSI Z223.1 — latest edition and CAN 1 B1-149.1 and .2 Installation Code.

Also for use in mobile (manufactured) homes after home is sited.

Mobile (manufactured) home installations must adhere to the current edition of Title 24 CFR, part 3280, or CSA Z240.4.

CAUTION: This appliance must be vented to the outside.

Installation and repair of the Clarity Direct Vent Gas Heater should be done by a qualified service person. The appliance should be inspected before use and at least annually by a qualified service person. More frequent cleaning may be required due to excessive lint from carpeting, bedding material, etc. It is imperative that control compartments, burners, and circulating air passageways of the Clarity be kept clean.

When operating your Harman Clarity Gas Heater, respect basic safety standards. Read these instructions carefully before you attempt to operate the heater. Failure to do so may result in damage to property or personal injury and may void the product warranty.

Consult with your local building code agency and insurance representative before you begin your installation to ensure compliance with local codes, including the need for permits and follow-up inspections.

Several issues must be addressed when selecting a suitable location for your Clarity Gas Heater. Observing required clearances to combustible materials, the proximity to a safe chimney or venting system location, and the accessibility of the gas and electrical supply must all be considered. In addition, selecting a location that takes advantage of the building's natural air flow is also desirable to maximize the heating effectiveness of the heater. In many cases, this is a central location within the building.

WARNING: If the information in this manual is not followed exactly, a fire or explosion may result causing property damage, personal injury or loss of life.

— **FOR YOUR SAFETY**

Do not store or use gasoline or other flammable vapors and liquids in the vicinity of this or any other appliance.

— **FOR YOUR SAFETY: WHAT TO DO IF YOU SMELL GAS**

- Do not try to light any appliance.
- Open windows.
- Extinguish any open flame.
- Do not touch any electrical switch; do not use any phone in your building.
- Immediately call your gas supplier from a neighbor's phone.

Follow the gas supplier's instructions.

- If you cannot reach your gas supplier, call the fire department.

— **Installation and service must be performed by a qualified gas installer, service agency, or the gas supplier.**

INSTALLATION

IMPORTANT NOTICE

Due to high temperatures, the Clarity Direct Vent Gas Heater should be located out of traffic and away from furniture and draperies.

Children and adults should be alerted to the hazards of high surface temperatures and should stay away to avoid burns or clothing ignition.

Young children should be carefully supervised when they are in the same room as the appliance.

Clothing or other flammable materials should not be placed on or near the Clarity Direct Vent Gas Heater.

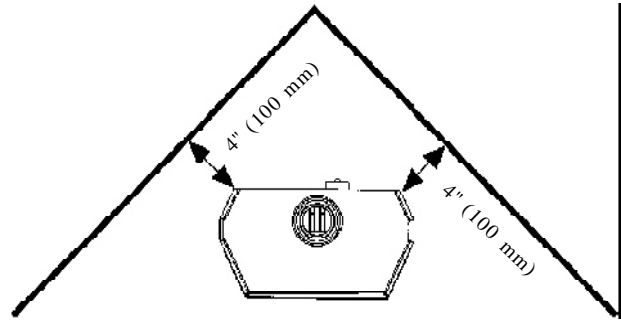
Clearances

The following clearances to combustibles must be observed:

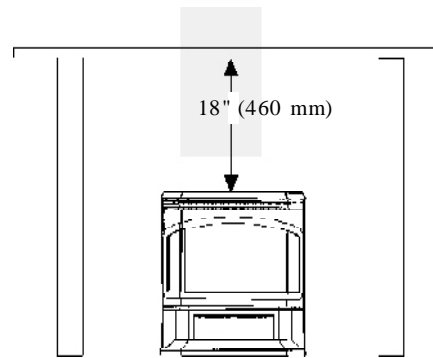
Heater to left sidewall	9" (230 mm)
Heater to right sidewall	9" (230 mm)
Heater corner to walls	4" (100 mm)
Heater to back wall	3" (75 mm)
(measured from rear of heater to wall)	
Heater to alcove ceiling	18" (460 mm)
Maximum alcove depth	14" (355 mm)

In addition to the clearances mentioned previously, adequate accessibility clearance for servicing and proper operation must be maintained.

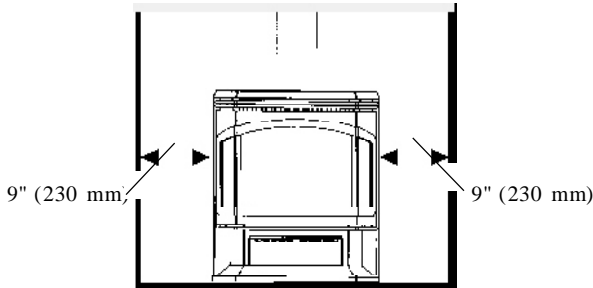
If this appliance is installed directly on carpeting, vinyl tile, or other combustible material other than wood flooring the appliance shall be installed on a metal or wood panel extending at least the full width and depth of the appliance.



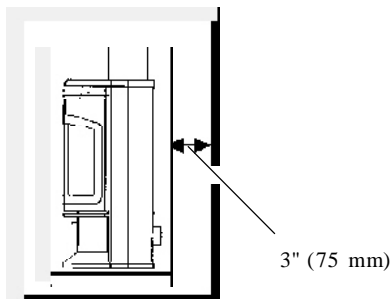
Clearance from corner of unit to walls.



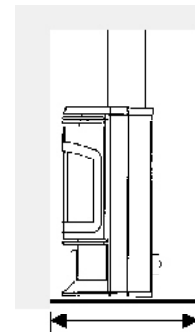
Clearance to alcove ceiling.



Sidewall clearance



Clearance to back wall



Maximum alcove depth

VENTING

Use Only Approved Venting

The Clarity Direct Vent Gas Heater has been tested and is listed for installation with Simpson Duravent GS venting components. The Simpson Duravent GS warranty will be voided, and serious fire, health, or other safety hazards may result from any of the following actions:

- Installation of any damaged Duravent GS component.
- Unauthorized modification of the Duravent GS System.
- Installation of any component part not manufactured or approved by Simpson Duravent.
- Installation other than as instructed by Simpson Duravent and the appliance manufacturer.

Consult your local building codes before beginning the installation, and follow the manufacturer's instructions exactly. The following Simpson Duravent GS 4" X 6 5/8" venting components are approved for use with the Clarity Direct Vent Gas Heater.

SIMPSON DURA-VENT COMPONENT NO.

Basic Termination Kit	970
Horizontal Termination Kit A	971
Vertical Termination Kit A	973
Horizontal Square Termination Cap	984
Vertical Termination Cap	983
Snorkel Termination Cap, 36" Vertical Rise	981
Snorkel Termination Cap, 14" Vertical Rise	982
Vinyl Siding Standoff	950
Wall Thimble	942
Round Ceiling Support/Wall Thimble Cover	940
Cathedral Ceiling Support Box	941
Storm Collar	953
Firestop Spacer	963
Adjustable Roof Flashing, 0/12-6/12 pitch	943
Steep Roof Flashing, 7/12-12/12 pitch	943S
Wall Strap	988
Designer Series Trim Kits	3951, 3952, 3953, 3960, 3961, 3962
High Wind Vertical Termination Cap	991
Low Profile Termination Cap	980

DIRECT VENT PIPE LENGTHS

DURA-VENT COMPONENT NO.

	GALVANIZED	BLACK
6" length	NA	908B
9" length	NA	907B
12" length	906	906B
24" length	904	904B
36" length	903	903B
48" length	902	902B
11-14 5/8" Adjustable	-	911B
45° Elbow	945	945B
90° Elbow	990	990B

The Clarity Direct Vent should be installed with no more than 12 joints and 2 elbows. The elbows may be either 45° or 90°.

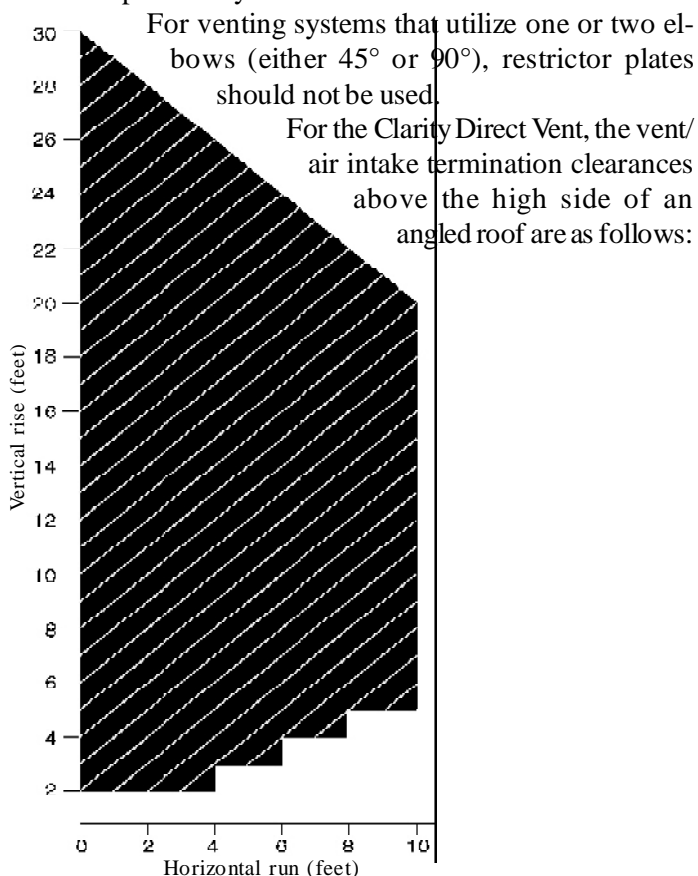
The Clarity Direct Vent must not be connected to a chimney flue serving any other appliance.

WARNING: The flow of ventilation air must not be obstructed.

Horizontal and Vertical Venting Requirements

The maximum horizontal run allowed for the Clarity Direct Vent is 10 feet. The maximum vertical rise and maximum total vent length is 30 feet. The horizontal and vertical lengths of venting must fall within the shaded portion of the chart below:

Restrictor plates supplied by Harman (Part No. G218) may be added in straight vertical installations only. For each 10' of vertical rise above the first 10', one restrictor plate may be added. No more than two restrictor plates may be used.



Roof Pitch	Feet	Meters
Flat to 6/12	1	0.3
7/12 to 9/12	2	0.6
10/12 to 12/12	4	1.2
13/12 to 16/12	6	1.8
17/12 to 21/12	8	2.4

VENTING

Requirements for Terminating the Venting

WARNING: Venting terminals must not be recessed into a wall or siding.

In addition, the following must be observed:

A. The clearance above grade, or a veranda, porch, deck or balcony must be a minimum of 12" (30 cm).¹

B. The clearance to a window or door that may be opened must be a minimum of 12" (30 cm).¹

C. A 12" (30 cm) clearance to a permanently closed window is recommended to prevent condensation on the window.

D. The vertical clearance to a ventilated soffit located above the terminal within a horizontal distance of 2 feet (60 cm) from the center-line of the terminal must be a minimum of 18" (46 cm).

E. The clearance to an unventilated soffit must be a minimum of 12" (30 cm).

F. The clearance to an outside corner is 9" (23 cm).

G. The clearance to an inside corner is 12" (30 cm).

H. A vent must not be installed within 3 feet (90 cm) above a meter/regulator assembly when measured from the horizontal center-line of the regulator.¹

I. The clearance to service regulator vent outlet must be a minimum of 6 feet (1.8 m).¹

J. The clearance to a non-mechanical air supply inlet to the building or the combustion air inlet to any other appliance must be a minimum of 12 feet (30 cm).¹

K. The clearance to a mechanical air supply inlet must be a minimum of 6 feet (1.8 m).¹

L. The clearance above a paved sidewalk or a paved driveway located on public property must be a minimum of 7 feet (2.1 m).^{1,2}

M. The clearance under a veranda, porch, deck or balcony must be a minimum of 12 inches (30 cm).^{1,3}

¹As specified in CAN 1 B1-149 Installation Codes (current edition). Note: local codes or regulations may require different clearances.

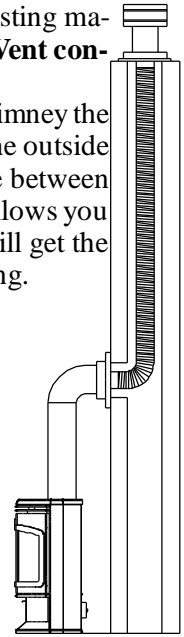
²A vent shall not terminate directly above a side-walk or paved driveway which is located between two single family dwellings and serves both dwellings.

³Only permitted if veranda, porch, deck, or balcony is fully open on a minimum of 2 sides beneath the floor.

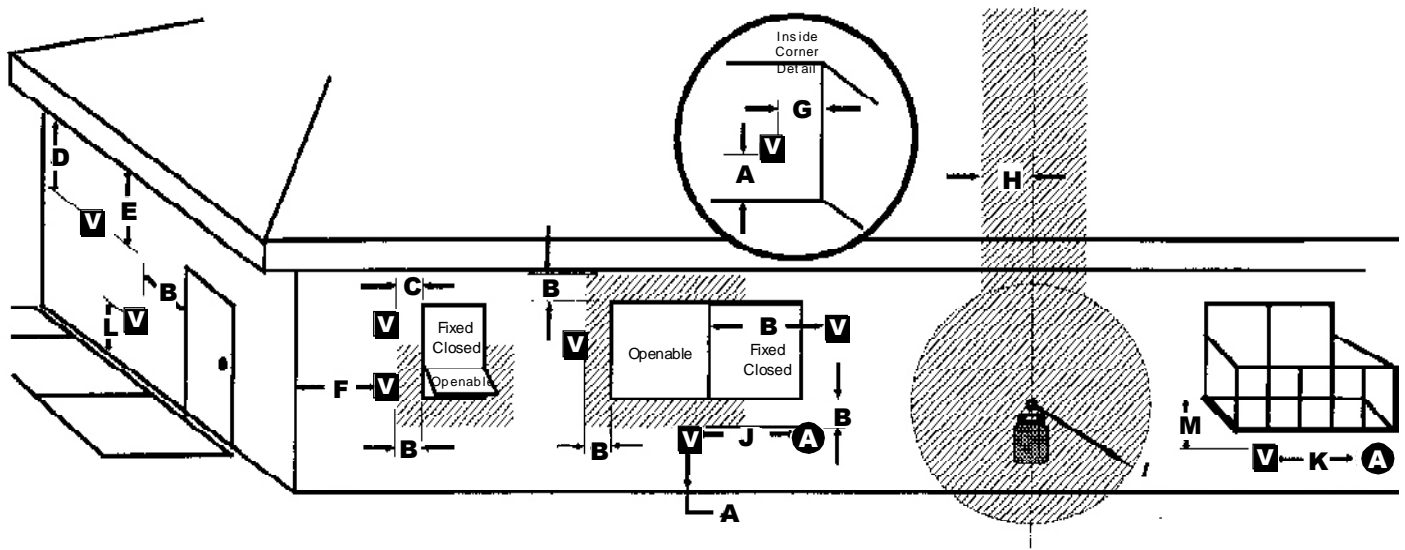
Connecting To An Existing Chimney

The Clarity may be connected to an existing masonry chimney by using a **Simpson Dura-Vent conversion kit #934**.

With this kit and a 4" flex liner in the chimney the flue gases exit through the 4" liner and the outside air comes down the chimney in the space between the chimney and the liner. This method allows you to install the Clarity your chimney and still get the added efficiency provided by direct venting.



The use of an existing chimney as an air intake is not covered under the ANSI Z21.50-1996. CGA 2.22-M96 test methods and the resulting ITS/WHI product certification: The code Authority Having Jurisdiction must be consulted prior to proceeding.



V = Vent terminal

A = Air supply inlet

= Area where terminal is not permitted

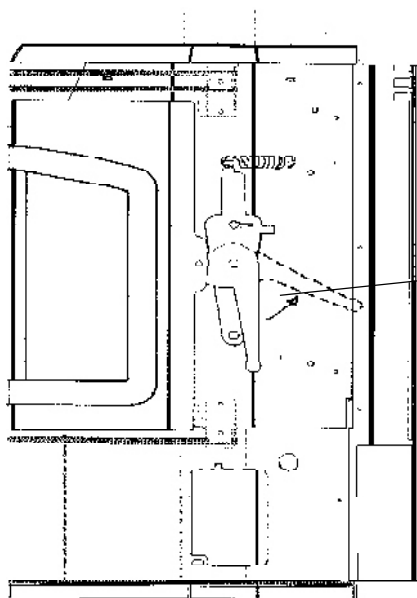
ASSEMBLY

The Clarity is shipped from the factory with the log set packed inside the firebox. To prepare the stove for installation, the log set must be unpacked, the appropriate burner system module for either natural gas or propane installed, and the logs installed.

Removing the Glass Front

NOTE: The glass front is heavy. Be prepared for its weight when lifting it to avoid damage during removal.

The wing doors on each side are held closed by magnets. Push on each door to open it. Loosen the wing nut on each of the two spring-loaded levers. Grasp each lever and push to the rear to disengage the front. To keep the levers in the disengaged position, tighten the wing nuts. Lift the glass front slightly and remove it from the stove. Set the glass aside in a safe place where it will not be damaged.



The front is released when spring-loaded levers on the left and right sides are pushed to the rear

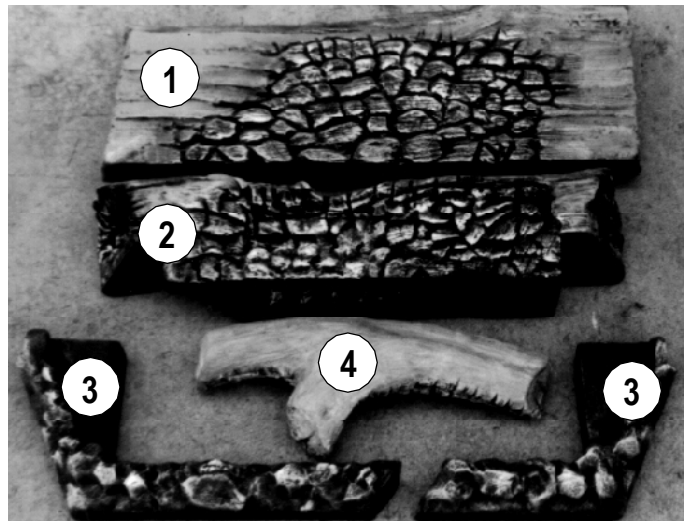
WARNING: Do not abuse the Clarity's glass by striking, slamming, or similar trauma. Do not operate the Clarity Gas Heater with the glass panel removed, cracked or broken. Use only glass supplied by Harman and approved for use with this heater. Do not use substitute materials. Replacement of the panel should be done by a licensed or qualified service person.

Remove and Unwrap the Log Set

As shown in the photo in the right column, the log set consists of a back log (1), a center log that has a pilot-viewing port in the left end (2), two ember strips (3), and a branch that rests on top (4).

In addition, there are two side brick panels and a back brick panel.

The log set components are shipped from the factory individually wrapped and packed inside the stove. Take them out of the stove, then carefully remove the wrapping. Handle the logs gently as they may be damaged easily.



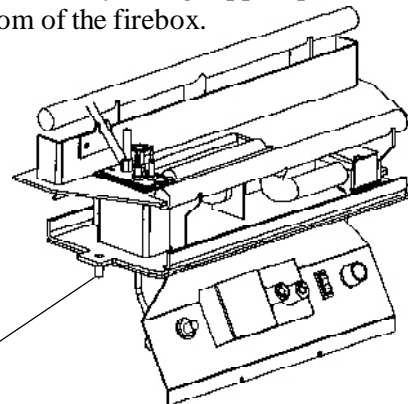
Installing the Burner System Module

The burner system module may be installed into the firebox as an integrated unit, and it may help to have an assistant who can assist in guiding the components into position and in making sure that the module does not sit on any wiring components.

Hold the module at a slight angle, then lower it through the opening and rotate upright until it is in position.

Reach underneath and install one of the wing nuts, finger tight. Then check to see that the module is seated correctly.

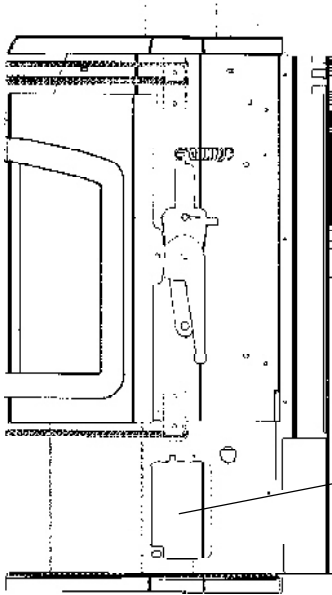
A sealing gasket affixed to the bottom of the module's base plate will cause the log support plate to be elevated slightly above the plane of the firebox bottom plate. When the two wing nuts are tightened, this gasket will be compressed and a correct fit will be indicated by the log support plate becoming flush with the bottom of the firebox.



Install wing nut on threaded stud

ASSEMBLY

With the module installed and secured, reach through the side access ports and plug in the electrical connections. (Two AMP Mate-N-Lok connectors).



The two electrical connectors may be reached through the side access port

Install the Back Log and Back Brick Panel

These two components are installed as a single piece. Rest the back brick panel on the shelf located on the back side of the back log, and center it. Holding the two pieces as a single unit, tilt the top forward slightly and maneuver it over the top of the rear burner—taking care that the top corners clear the front opening. Place it snugly against the back wall and center it.

Install the Side Brick Panels

These slide into place along each side and are held by friction. The notch in each panel faces the back. Install one side, and then the other.

Install the Ember Strips

The ember strips rest against the front of the firebox and should fit snugly. Guide them toward you and to the outside until they fit snugly. Check the air slot in the inside of the ember strips to confirm that they do not obstruct it.

Install the Center Log

The center log goes all the way to the back and should be centered. When properly positioned, there should be an even gap along the front of the center burner in the cavity in the log. A small portion of the log support frame will be revealed.

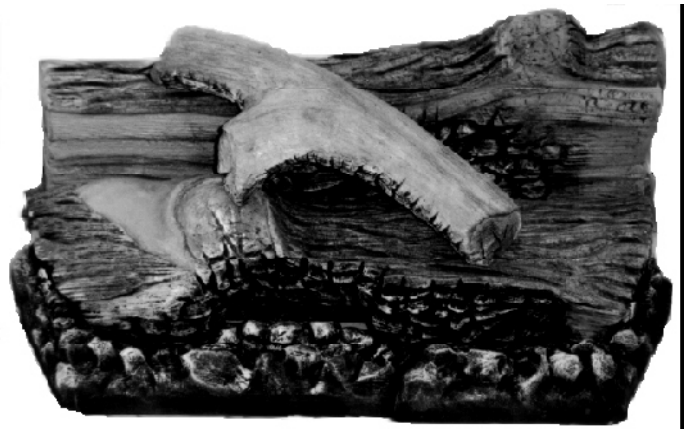
The center log has a round viewing port in the left end through which the pilot can be observed.

Install the Branch

Orient the branch with the forked end toward the left rear of the stove and slip it over the two locator pins, one on top of the back log and the other on the top of the center log.

Secure the Glass Front

NOTE: The glass front is heavy. Lift it carefully to prevent damage. Center the glass on the opening and suspend it in place by placing the tab hooks over the top edge of the opening. Loosen the wing nuts that hold the spring-loaded levers in place. Press the glass slightly against the stove to confirm that it seats properly, then press it firmly against the front while pulling the levers forward to engage them. Tighten the wing nuts.

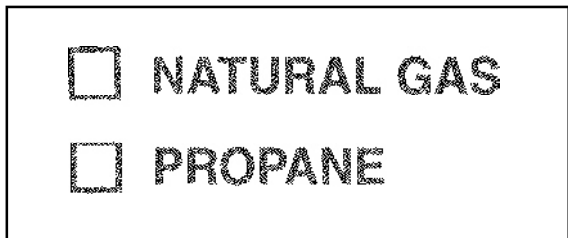


The complete log set with all logs in the correct position.

CONNECTING THE HEATER TO A GAS SUPPLY

Burn Only the Fuel for which the Heater is Equipped

The Clarity Direct Vent will burn either natural gas or propane, but requires a dedicated burner system module for either fuel. The label on the burner system module indicates the fuel for which it is equipped. A second label, located near the rating plate, also indicates the fuel type.



Making The Connection

The gas inlet is located at the bottom right rear of the stove. The inlet fitting is a 1/2" female flare flexible pipe.

A separate gas shut-off valve and a 1/8" N.P.T. plugged tapping should be installed immediately upstream of the connection to the appliance.

The Clarity Direct Vent Gas Heater must be disconnected from the gas supply piping during any pressure testing of that system at pressures in excess of 1/2 psig (3.5 kPa).

The Clarity gas control valve must be in the OFF position during any pressure testing of the gas supply system at pressures equal to or less than 1/2 psig (3.5 kPa).

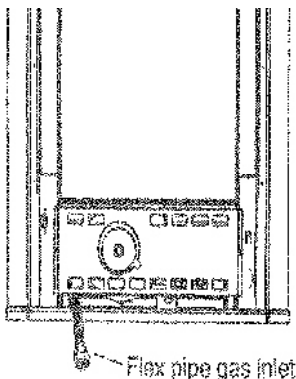
WARNING: To avoid pipe compounds from entering into the gas train, apply compounds only to male pipe threads and do not apply compound to the first two threads.

CAUTION: TEST ALL JOINTS FOR LEAKS BEFORE OPERATING

Gas Pressure Requirements

Correct gas pressure and the use of a properly sized gas supply line are essential for the safe and efficient performance of this appliance. Make sure that the plumber or gas supplier checks the gas supply line and gas pressure at installation.

NOTE: Improper gas pressure can affect heater performance, flame color, or cause pilot outage.



Natural Gas:

Maximum inlet pressure 7.0" w.c. (1.74 kPa)
 Minimum inlet pressure 5.0" w.c. (1.25 kPa)
 Gas manifold pressure 3.5" w.c. (0.87 kPa)

LPG Gas:

Maximum inlet pressure 13" w.c. (3.24 kPa)
 Minimum inlet pressure 11" w.c. (2.74 kPa)
 Gas manifold pressure 10" w.c. (2.49 kPa)

DO NOT USE THIS HEATER IF ANY PART HAS BEEN UNDER WATER OR EXPOSED TO MOISTURE CORROSION. IMMEDIATELY CALL A QUALIFIED SERVICE TECHNICIAN TO INSPECT THE HEATER AND REPLACE ANY PART OF THE CONTROL SYSTEM AND ANY GAS CONTROL WHICH HAS BEEN UNDER WATER.

Once you have installed the appropriate burner system module, fill out the installer fuel label that was included with the module, peel off the self-adhesive backing material, and affix the label to the wing door near the rating plate.

RECOMMENDED GAS PIPE DIAMETER				
Pipe Length (Feet)	Schedule 40 Pipe Inside Diameter		Tubing, Type L Outside Diameter	
	N.G.	L.P.	N.G.	L.P.
0-10	1/2" 1.3 cm	3/8" 1.0 cm	1/2" 1.3 cm	3/8" 1.0 cm
10-40	1/2" 1.3 cm	1/2" 1.3 cm	5/8" 1.6 cm	1/2" 1.3 cm
40-100	1/2" 1.3 cm	1/2" 1.3 cm	3/4" 1.6 cm	1/2" 1.3 cm
100-150	3/4" 2.0 cm	1/2" 1.3 cm	7/8" 2.3 cm	3/4" 2.0 cm

NOTE: NEVER USE PLASTIC PIPE. CHECK TO CONFIRM WHETHER YOUR LOCAL CODES ALLOW COPPER TUBING OR GALVANIZED PIPE.

HARMAN CLARITY
DIRECT VENT & B VENT

This appliance is equipped for: NATURAL GAS fuel.
 Cet appareil est équipé pour: GAS NATUREL.

Importance/Importance: From Center Rear
 0.75 0.75 0.75 0.75 0.75 0.75

Inlet (Entrée) orifice size:
 Inlet (Entrée) Pressure:
 Pression à la tubulure d'alimentation:

Inlet Pressure / Pression d'Alim: Min. Max.

Date module was installed: _____
 By: _____

HARMAN CLARITY
DIRECT VENT & B VENT

This appliance is equipped for: PROPANE fuel.
 Cet appareil est équipé pour: PROPANE.

Importance/Importance: From Center Rear
 0.75 0.75 0.75 0.75 0.75 0.75

Inlet (Entrée) orifice size:
 Inlet (Entrée) Pressure:
 Pression à la tubulure d'alimentation:

Inlet Pressure / Pression d'Alim: Min. Max.

Date module was installed: _____
 By: _____

CONNECTING THE HEATER TO CORDSET

Connecting the Cordset

The Clarity Direct Vent Gas Heater must be installed in accordance with local codes or, in the absence of local codes, with the most recent edition of the National Electrical Code ANSI/NFPA 70, or the current Canadian Electrical Code C22.1.

WARNING: This heater is equipped with a three-pronged grounding plug that should be plugged directly into a properly grounded receptacle. Do not cut or remove the grounding prong from the plug.

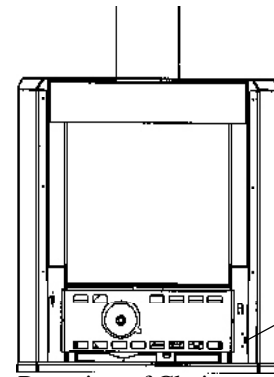
NOTE: The convection fan requires a 120 VAC supply for operation, but the heater can be operated without the fan as in the case of a power outage.

Plug the 3-prong grounded electrical cord plug into the wall.

Connecting the Optional Thermostat

If the optional thermostat is used, it must be plugged into the terminal strip located in the left rear corner of the heater.

When installing a millivolt control system, use only a special low resistance thermostat. Do not use a regular heating thermostat.



Rear view of Clarity

Terminal strip for thermostat connection

Be sure that all electrical connections are clean, free from corrosion, and tight. Inspect connections periodically to confirm that no corrosion has built up over time.

When properly installed and maintained, a millivolt control system should give many years of trouble-free service.

It is important to use wire of a gauge proper for the length of the wire:

RECOMMENDED WIRE GAUGES

<i>Maximum Length</i>	<i>Wire Gauge</i>
100'	14
60'	16
40'	18
25'	20
15'	22

AIR SHUTTER ADJUSTMENT

The final step of the installation is to check the flame pattern, which should resemble the pattern illustrated in the right column: The flames should be relatively well-defined and stable. They should be bright yellow with a blue base where attached to the burner ports, and should not look orange or sooty.

Start the heater according to the directions on page 12 and allow the heater to burn for approximately 15 minutes. The flames will increase in length and become more yellow in color as the Clarity heats up.

If the flames do not resemble the description above and the illustration in the right column, the air shutters may be adjusted.

Three separate screws—one for each burner—are used to adjust the flames for a particular installation. Two of them are accessible through the side access port on the right side of the stove. The third is accessible from the front when the control door is open. The screws may become hot to the touch after prolonged operation. Use a 3/16" Allen wrench to avoid contact if hot. For best results when fine-tuning the flame picture, initially leave the middle screw unchanged from its factory setting. Turn the other two screws as needed to increase or decrease the brightness and length of the flame: turning counterclockwise will increase the flame; turning clockwise will decrease the flame.

1. To adjust the rear burner, open the right wing door, reach through the side access port, and turn the rear screw to adjust flame (see directions above).

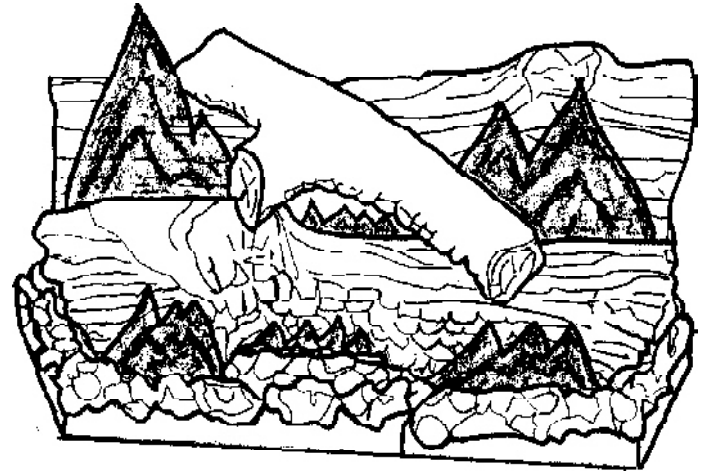
2. To adjust the front burner, first open the control door, then turn the front screw to adjust flame (see directions above).

Repeat the procedure as needed until the desired flame effect is achieved.

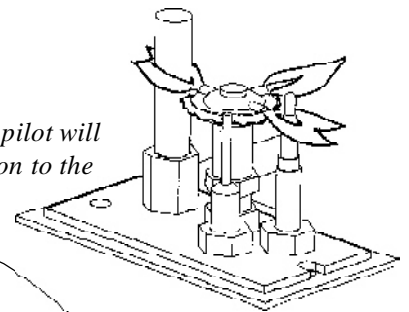
Monitoring the Gas Flame

Periodically, the flames of the Clarity Direct Vent Gas Heater should be checked while it is operation. The flames should be relatively well-defined and stable. They should be bright yellow with a blue base where attached to the burner ports. The flames should not look orange or sooty. Portions of the logs will glow red when the flames are properly adjusted.

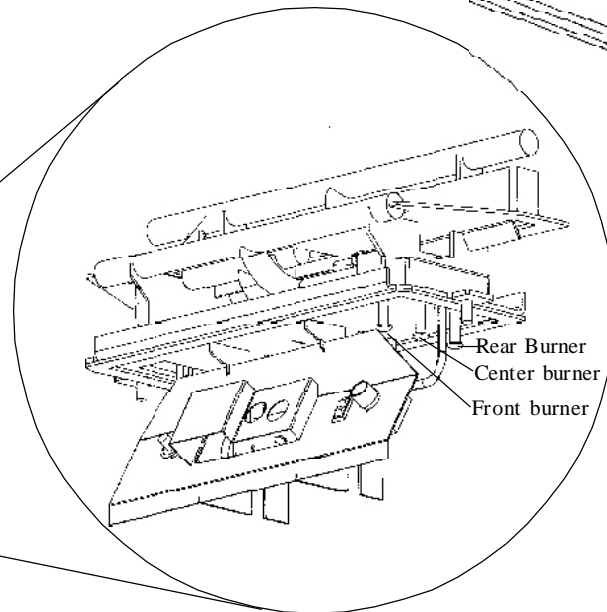
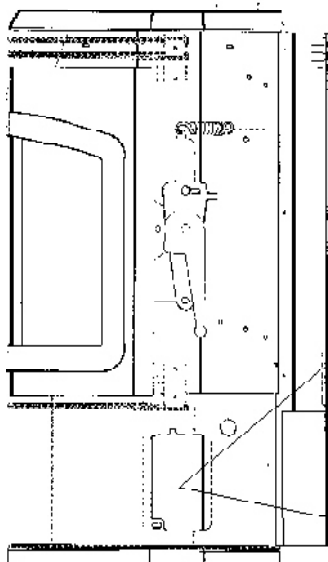
If you find the flames to be other than that described here, do not operate the heater. Consult a qualified service person or your Harman dealer for advice.



The Clarity flame pattern will resemble this when the unit is burning properly.



The properly-burning pilot will resemble the illustration to the right.

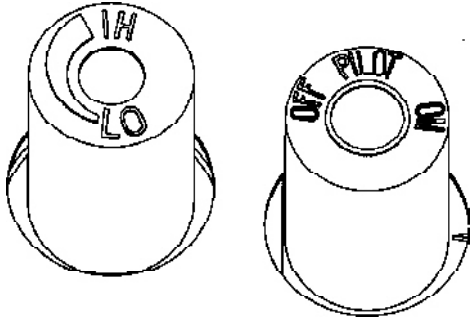


Air adjustment screws

OPERATION

HOW TO LIGHT THE FIRE

1. STOP! Read the safety information on the left side of the panel on page 13.
2. If using the optional thermostat, set thermostat to the lowest setting.
3. Turn off electric power to the appliance.
4. Turn the ON-OFF/THERMOSTAT switch to the OFF position.
5. Push in the gas control knob slightly and turn it clock-



wise to "OFF." NOTE: The knob cannot be turned from "PILOT" to "OFF" unless it is pushed in slightly. Do not force it.

6. Wait five (5) minutes to clear out any gas. If you then smell gas, STOP! Follow "B" in the safety information on the top of page 13. If you don't smell gas, go to the next step.

7. Set the High-Low Regulator to High by turning it fully counterclockwise.

8. Press in the gas control knob slightly and turn counterclockwise to "PILOT."

9. Find the pilot by looking through the round opening on the left end of the center log.

10. Push the control knob fully down and hold. Immediately push the red piezo ignitor button to light the pilot. It is normal to have to push the red button several times before the pilot ignites. Continue to hold the control knob in for about one (1) minute after the pilot is lit. Release the knob and it will pop back up. Pilot should remain lit. If it goes out, repeat steps 5 through 9.

- If the knob does not pop up when released, stop and immediately call your service technician or gas supplier.

- If the pilot will not stay lit after several tries, turn the gas control knob to "OFF" and call your service technician or gas supplier.

11. Turn the gas control knob counterclockwise to "ON."

12. Place the ON-OFF/THERMOSTAT switch in the ON position or in the THERMOSTAT position if the optional thermostat is used.

13. Turn on the electric power to the heater.

14. Set the optional thermostat to the desired room temperature.

15. Set the High-Low Regulator to desired setting: turn fully counterclockwise for High and fully clockwise for Low.

NOTE: An odor resulting from the initial heating of new materials in your heater is not unusual during the first fire, and in most cases will disappear after an hour or two.

HOW TO TURN OFF THE FIRE

1. If using optional thermostat, set thermostat to the lowest position.

2. Turn off the electric power to the appliance.

3. Turn the ON-OFF/THERMOSTAT switch to the OFF position.

4. Push in the gas control knob slightly and turn it clockwise to "OFF."

NOTE: The knob cannot be turned from "PILOT" to "OFF" unless it is pushed in slightly. Do not force it.

A qualified service person recommended by your Harman dealer should conduct an annual inspection and maintenance of your Clarity, its venting, and the installation to keep it running safely and efficiently. The following procedures should be performed only by a qualified service person. The gas supply should be turned off whenever a maintenance procedure is performed.

If the glass front, side doors, or front access door are removed for servicing, they must be replaced prior to operating the Clarity.

Removing the Glass Front for Replacement

Refer to page 7 for directions on removing the glass front. Use only authorized Harman replacement glass components available from your Harman dealer.

Replacing the Gasket

The Clarity has 5/8" diameter fiberglass gasket in the front door. Should it ever need replacement, use only the proper replacement gasket that is available from your Harman dealer. To replace the gasket, follow this procedure.

1. Open the door
2. Remove the existing gasket and clean its channel with a scraper or wire brush.
3. Lay a thin bead of high temperature silicone the entire length of the channel.
4. Lay the gasket in the channel with sufficient pressure that it stays in place.
5. Trim the excess from the end of the gasket so that it butts snugly against the other end without leaving a gap. Seal the end joint with high temperature silicone.
6. Close the door and apply firm pressure to seat the gasket evenly throughout.

Cleaning the Glass

The glass may be cleaned with ordinary household glass cleaner and a soft cloth or paper towel.

WARNING: Never clean the glass when it is hot. Do not use abrasive cleaners on the glass.

Inspecting the Venting

An inspection of both the inner and outer pipes of the venting system should be made during the annual service appointment. They must have no blockage and be in good repair. The vent manufacturer's instructions may provide specific suggestions or details on vent inspection. Any sections that are taken apart for the inspection must be reassembled and sealed as required.

Cleaning the Log Set and Firebox

During the annual inspection and maintenance appointment, the service person should clean dust, lint, and any light accumulation from the logs and the firebox area. An extra-soft brush should be used on the logs as they are extremely fragile; a vacuum cleaner may be used on the firebox. If at any time the logs cannot be removed or installed without forcing, the cause must be found. The logs must never be forced.

Removing the Front

See directions on page 7.

Removal & Re-installation of the Log Set for Cleaning

CAUTION: The ceramic logs are durable when handled and installed properly. However, they are delicate and may be damaged easily if not handled with care. Handling damage to the ceramic logs is not covered by warranty.

DO NOT HANDLE LOGS WHILE THEY ARE HOT. ALLOW PLENTY OF TIME FOR THE STOVE TO COOL COMPLETELY BEFORE HANDLING

Remove the Branch

Detach the branch from the two locator pins and remove it. Brush it gently and carefully place it to one side.

Remove the Center Log

Lift the center log and remove it. Brush it gently and carefully place it to one side with the branch.

Remove the Ember Strips

Carefully remove the ember strips, clean them, and place them with the other logs.

Remove the Side Brick Panels

Carefully remove first one side panel, and then the other. Clean and place to side.

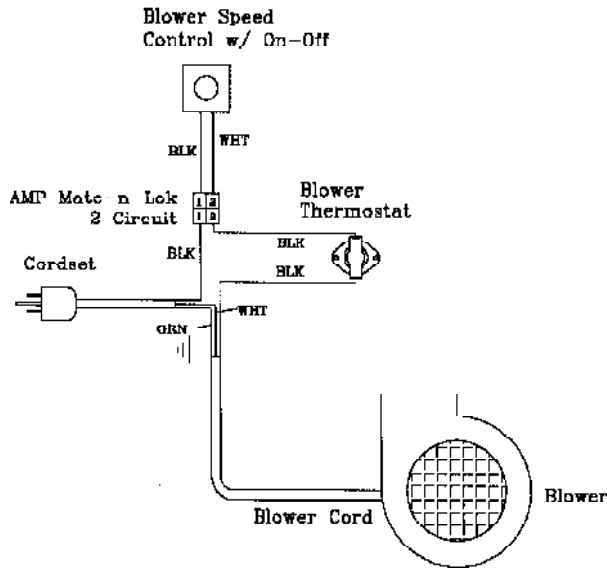
Remove the Back Log and Back Brick Panel

Finally, carefully remove these two components as a single piece. Brush them gently and place them to the side.

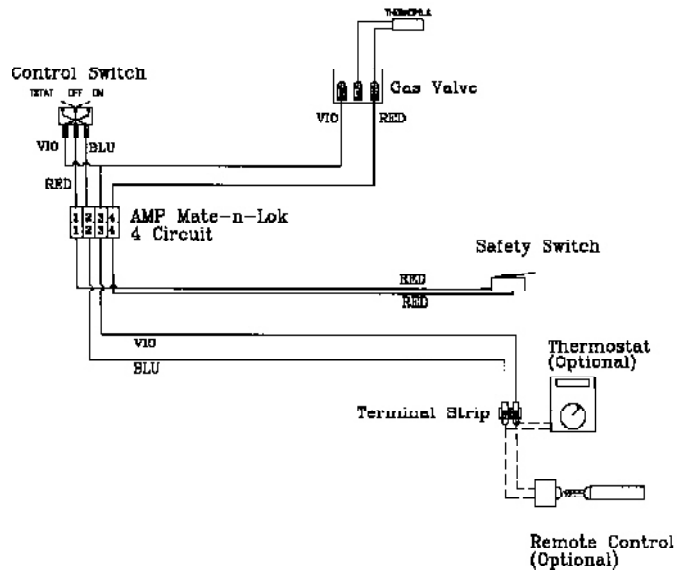
Finish the procedure by vacuuming the interior of the firebox, then re-install the logs and secure the glass front following the procedures on page 8.

WIRING DIAGRAM

115 VAC Wiring



Low Voltage (MVDC) Wiring



Clarity Direct Vent Wiring Diagram

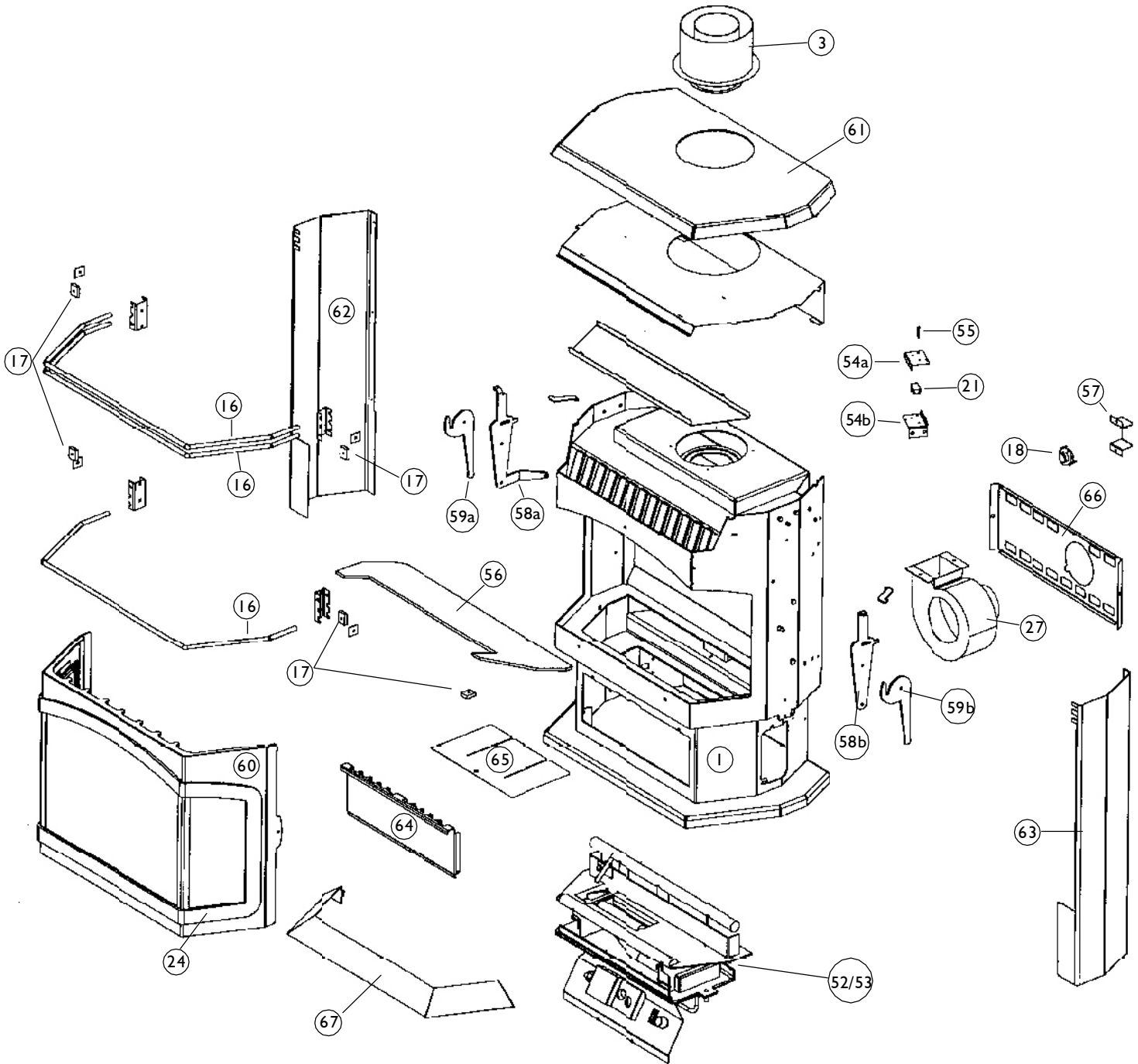
The Clarity Direct Vent gas heater, when installed, must be electrically grounded in accordance with current local codes or, in the absence of local codes, with the current edition of National Electrical Code, ANSI/NFPA 70 in the United States or the current Canadian Electrical Code CSA 22.1 in Canada.

PARTS LIST

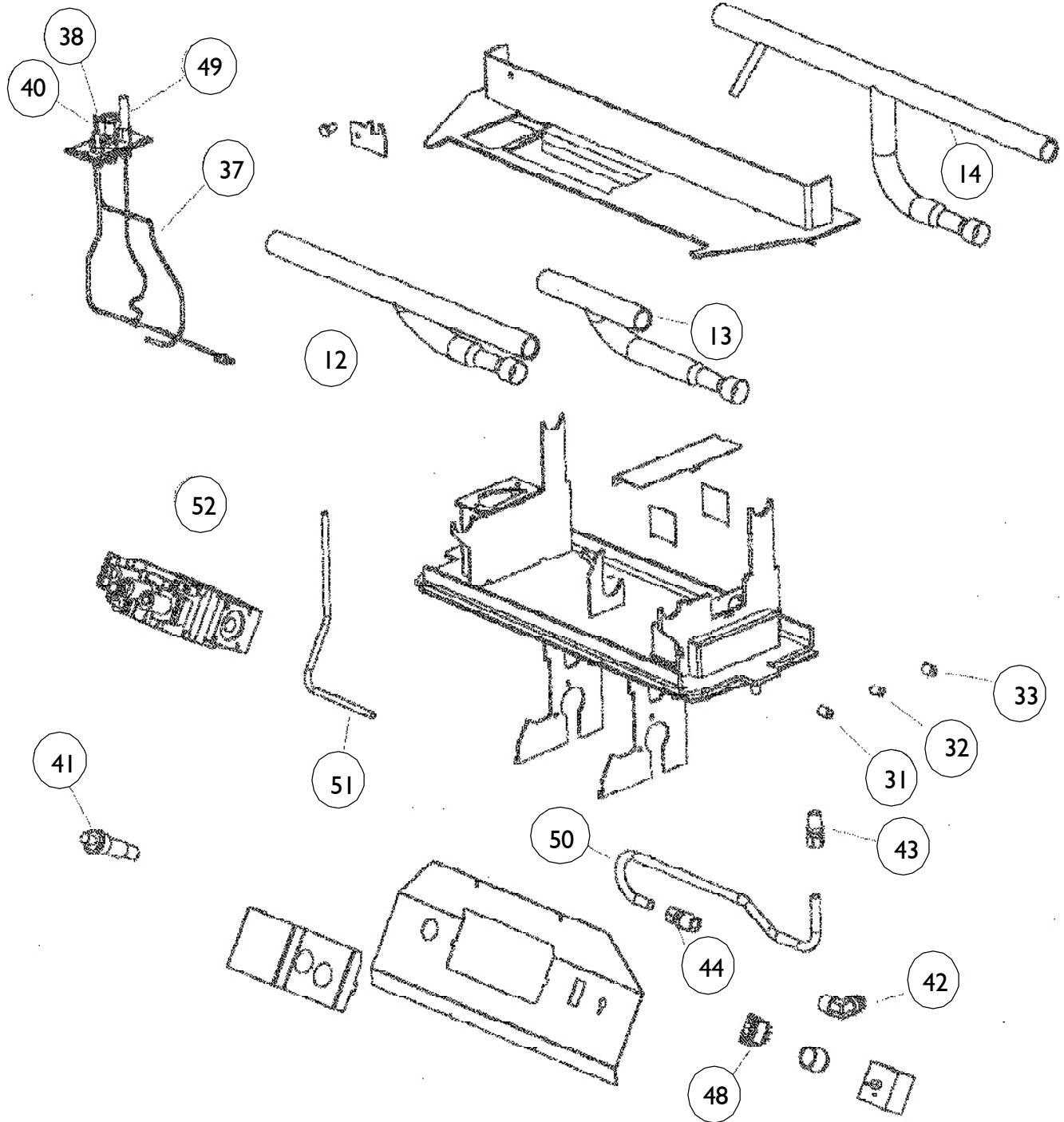
The following replacement parts for your Harman Clarity Direct Vent are available from your Harman dealer.

ID#	Part No.	Part
1.	1-89-08250	DVG weldment
2.	3-44-08294	Starting Collar Gasket
3.	3-40-3849239	Starting Collar
4.	3-40-08286	1/2" gas inlet flex
5.	3-40-08235	Rear log
6.	3-40-08236	Front log
7.	3-40-08237	Top log
8.	3-40-08401	Ember strip
9.	3-40-08232	Left brick panel
10.	3-40-08233	Right brick panel
11.	3-40-08234	Rear brick panel
12.	3-40-08693	Front burner tube
13.	3-40-08225	Center burner tube
14.	3-40-08226	Rear burner tube
15.	3-31-965487	Ext. spring
16.	3-40-00141	Formed wire gold trim
17.	3-31-08225	Magnet
18.	3-20-408412	Snap disc fan control
19.	3-20-326007	21" harness w/ terminal block
20.	3-20-326004	Power cord
21.	3-20-00907	Safety switch
22.	3-42-2312	Glass gasket
23.	3-44-1086405	5/8" tight knit rope for door
24.	3-43-4103	Gold plated door frame
25.	3-40-120	13-3/4" X 19" glass
26.	3-40-121	5-3/4" X 13-3/4" glass
27.	1-10-08285	Distribution blower w/ ends
28.	3-44-08287	Pilot tower gasket
29.	3-40-820628	NG valve
30.	3-40-82057	LP valve
31.	3-40-57356	#56 orifice, LP front/NG center
32.	3-40-64347	#47 orifice, NG front
33.	3-40-64739	#39 orifice, NG rear
34.	3-40-57271	#71 orifice, LP center
35.	3-40-57356	#56 orifice, LP center
36.	3-40-57753	#53 orifice, LP rear
37.	3-40-08231	Piezocable
38.	3-40-08714	Pilot, NG
39.	3-40-08715	Pilot, LP
40.	3-40-08906	Thermocouple
41.	3-40-08220	Piezo ignitor
42.	3-31-08282	90° brass elbow
43.	3-31-08283	1/4" tp 3/8" male compression fitting
44.	3-31-08234	3/8" tp 3/8" male compression fitting
45.	3-30-310056082	BHSCS 5mm X 8mm for valve
46.	3-20-326006	18" valve harness
47.	3-20-326005	Harness w/ VSC
48.	3-20-08221	On-Off rocker switch
49.	3-20-08219	Thermopile
50.	2-00-08281	3/8" tubing
51.	0-46-250	1/4" tubing
52.	1-00-08313	Valve change-over assembly, NG
53.	1-00-08314	Valve change-over assembly, LP
54a.	2-00-4200	Safety switch bracket, lower
54b.	2-00-4201	Safety switch bracket, upper
55.	1-00-08301	Safety switch cable/ pin assembly
56.	2-00-4172	Baffle
57.	2-00-4173	Snap disc fan control bracket
58a.	1-10-08265-1	Latch arm, left
58b.	1-10-08265-2	Latch arm, right
59a.	2-00-4138-1	Latch cam, left
60.	2-00-4138-2	Latch cam, right
60b.	1-10-08287	Front door assembly
61.	1-10-08258	Top
62.	1-10-08262-1	Left wing door
63.	1-10-08262-2	Right wing door
64.	2-00-4162	Control door
65.	2-00-4210	Control heat shield
66.	2-00-4177	Lower rear access cover
67.	2-00-4169	Base trim

PARTS



CLARITY BURNER MODULE : EXPLODED VIEW



SPECIFICATIONS

Clarity Direct Vent 929DV Gas Heater

Tested to ANSI Z21.88-2002, CSA 2.33-M02, and CAN/CGA 2.17-M91.

	NATURAL GAS	PROPANE
Input Rating (Btu/hr) (0-4500 ft) (0-1375 m)	40,000	40,000
Min. Input Rating (Btu/hr) (0-4500 ft) (0-1375 m)	27,000	28,000
Injectors (DMS) (front/middle/rear) (0-4500 ft) (0-1375 m)	45/56/39	56/71/53
Manifold Pressure (in w.c./kPa)	3.5/0.87	10.0/2.49
Minimum Manifold Pressure (in w.c./kPa)	1.7/0.42	5.9/1.47
Minimum Inlet Pressure (in w.c./kPa)	5.0/1.25	11.0/2.74
Maximum Output (Btu/hr) (0-4500 ft) (0-1375 m)	31,200	32,100
AFUE (seasonal efficiency; minimum venting)	71.6 %	73.8 %
Steady State Efficiency (max. input, blower on High)	80.2 %	83.3 %

MINIMUM CLEARANCES FROM COMBUSTIBLE CONSTRUCTION

Unit to left sidewall	9 in. (230 mm)
Unit to right sidewall	9 in. (230 mm)
Unit corner to walls	4 in. (100 mm)
Unit to backwall (measured from rear of stove to wall)	3 in. (75 mm)
Unit to alcove ceiling	18 in. (460 mm)
Maximum alcove depth	14 in. (460 mm)

Electrical Rating: 120 Volts 60 Hz Less than 1 Amp

Stove weight: 237 lbs.



Manufactured by:
Harman Stove Company
352 Mountain House Road
Halifax, PA 17032

APPENDIX A

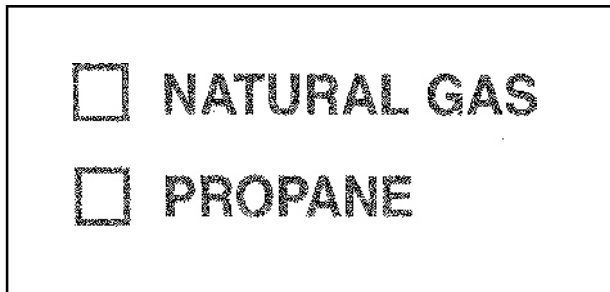
Converting the Clarity Direct Vent from One Gas to Another in the Field

NOTE: THE CONVERSION SHALL BE CARRIED OUT IN ACCORDANCE WITH THE REQUIREMENTS OF THE PROVINCIAL OR LOCAL AUTHORITIES HAVING JURISDICTION AND IN ACCORDANCE WITH REQUIREMENTS OF THE CURRENT EDITION OF THE NATIONAL FUEL GAS CODE, ANSI Z223.1 or the CAN/CGA-B149 INSTALLATION CODES.

Conversion Kit Components

- Burner system module
- Conversion label

The Clarity is designed to burn either natural gas or propane, but requires a dedicated burner system module for either fuel. Conversion to the alternate fuel is a simple matter of replacing one burner system module with another. A label on the burner system module will specify for which fuel it is intended.



To accomplish the conversion procedure, follow these steps.

1. *Unplug the Cordset*
2. *Remove the Glass Front*

Push open the wing door on each side of the unit. Loosen the wing nut on each of the two spring-loaded levers. Grasp each lever and push to the rear to disengage the front. To keep the levers in the disengaged position, tighten the wing nuts. Lift the glass front slightly and remove it from the stove.

3. *Remove the Log Set*

See the directions on page 14.

4. *Unplug the Electrical Connectors*

Reach through the side access port and unplug the two multi-pin connectors and the white lead from the fan.

5. *Remove from the threaded studs the two wing nuts that secure the module from underneath, one on each side.*

6. *Remove the Existing Burner System Module*

The burner system module may be removed as an integrated unit, and it may help to have an assistant who can help guide the components into position.

Tilt and rotate the module as needed to remove it.

Once the existing module has been removed, follow the instructions on page 7 for installing the replacement module, re-connecting the wiring, re-installing the logs, and securing the glass front.

After completing the fuel conversion, an installer fuel label—supplied with the burner system module—must be filled out by the installer and attached to the inside of the wing door near the rating plate. Cover the original fuel label with the new label.

FARMAN CLARITY DIRECT VENT & B VENT			
This appliance is equipped for <u>NATURAL GAS</u> fuel.			
Get approval & site consult. for <u>NATURAL GAS</u>			
Appliance Information	Front	Center	Rear
	2MS 47	2MS 55	2MS 56
Input/Output Connections	40,000		
Manifold Pressure	1.0		
Pressure at Inlet of all burners	1.0		
Inlet Pressure	5.0		
Pressure @ Valve	Min.	5.0	
	Max.	7.0	
Date module was installed:			
By:			

FARMAN CLARITY DIRECT VENT & B VENT			
This appliance is equipped for <u>PROPANE</u> fuel.			
Get approval & site consult. for <u>PROPANE</u>			
Appliance Information	Front	Center	Rear
	2MS 58	2MS 71	2MS 53
Input/Output Connections	40,000		
Manifold Pressure	1.0		
Pressure at Inlet of all burners	1.0		
Inlet Pressure	11.0		
Pressure @ Valve	Min.	11.0	
	Max.	13.0	
Date module was installed:			
By:			

The above label on the Clarity's burner system module indicates that the unit is equipped to burn natural gas.

The above label on the Clarity's burner system module indicates that the unit is equipped to burn propane.

CAUTION: LABEL ALL WIRES PRIOR TO DISCONNECTION WHEN SERVICING CONTROLS. WIRING ERRORS CAN CAUSE IMPROPER AND DANGEROUS OPERATION. VERIFY PROPER OPERATION AFTER SERVICING.

SEE WIRING DIAGRAM ON PAGE 15.

APPENDIX B

De-rating for High Altitude

For U.S. installations, the Clarity Direct Vent is approved for elevations up to 2000 feet using the factory-installed burner injectors. At elevations above 2000 feet, U.S. codes require a decrease in the input rating by changing the burner injectors to a smaller size. The chart below lists by part numbers the appropriate injectors for both LP and natural gas at various altitudes.

For Canadian installations, the Clarity Direct Vent is approved for elevations up to 1375 meters (4500 feet). When installing the Clarity Direct Vent at altitudes above 1375 meters (4500 feet), consult the local gas distributor or the authority having jurisdiction for proper rating methods.

NOTE: The difference in altitude derating requirements for the U.S. and Canada is simply a result of differences in testing standards between the two countries.

If the installer must convert the unit to adjust for varying altitudes, an information sticker like the one to the right must be filled out and affixed to the appliance at the time of conversion.

NATURAL GAS

Altitude	Front Injector	Harman Part No.	Center Injector	Harman Part No.	Rear Injector	Harman Part No.	Nominal Btu Input Rate
0-2000'	47	Standard	56	Standard	39	Standard	40,000
2000-3000'	48	3-40-25848	56	Standard	40	3-40-25840	38,400
3000-4000'	49	3-40-25849	56	Standard	41	3-40-25841	36,900
4000-5000'	49	3-40-25849	57	3-40-25857	42	3-40-25842	35,400
5000-6000'	50	3-40-25850	57	3-40-25857	42	3-40-25842	34,000
6000-7000'	50	3-40-25850	57	3-40-25857	43	3-40-25843	32,600
7000-8000'	51	3-40-25851	58	3-40-25858	43	3-40-25843	31,300
8000-9000'	51	3-40-25851	58	3-40-25858	44	3-40-25844	30,100

PROPANE

Altitude	Front Injector	Harman Part No.	Center Injector	Harman Part No.	Rear Injector	Harman Part No.	Nominal Btu Input Rate
0-2000'	56	Standard	71	Standard	53	Standard	40,000
2000-3000'	56	Standard	71	Standard	54	3-40-25854	36,900
3000-4000'	56	Standard	71	Standard	54	3-40-25854	36,900
4000-5000'	57	3-40-25857	71	Standard	54	3-40-25854	35,400
5000-6000'	57	3-40-25857	71	Standard	55	3-40-25855	32,600
6000-7000'	57	3-40-25857	71	Standard	55	3-40-25855	32,600
7000-8000'	58	3-40-25858	71	Standard	56	3-40-25856	30,100
8000-9000'	58	3-40-25858	71	Standard	56	3-40-25856	30,100

THE CONVERSION SHALL BE CARRIED OUT BY A MANUFACTURER'S AUTHORIZED REPRESENTATIVE IN ACCORDANCE WITH THE REQUIREMENTS OF THE MANUFACTURER, PROVINCIAL OR TERRITORIAL AUTHORITIES HAVING JURISDICTION AND IN ACCORDANCE WITH THE REQUIREMENTS OF THE CURRENT EDITION OF CAN/CGA-B141.1 OR CAN/CGA-B141.2 INSTALLATION CODES.

This appliance has been converted for use at an altitude of _____		
Orifice sizes: Front _____	Center _____	Rear _____
Input (Btu/h) _____		
Manifold Pressure _____		
Fuel Type _____		
Converted by _____		
Date of conversion _____		

CROSS REFERENCE CHART - Selkirk Direct-Temp & Simpson Dura-Vent Direct Vent GS

Selkirk Direct- TempTM Simpson Dura-Vent Direct Vent GS@

Stock No.	Description	Stock	Description No.
4DT -6	6" Pipe Length, Galvanized	908	6" Pipe Length, Galvanized
4DT -6B	6" Pipe Length, Black	908B	6" Pipe Length, Black
4DT -9	9" Pipe Length, Galvanized	907	9" Pipe Length, Galvanized
4DT -9B	9" Pipe Length, Black	907B	9" Pipe Length, Black
4DT -12	12" Pipe Length, Galvanized	906	12" Pipe Length, Galvanized
4DT -12B	12" Pipe Length, Black	906B	12" Pipe Length, Black
4DT -18	18" Pipe Length, Galvanized	n/a	n/a
4DT -18B	18" Pipe Length, Black	n/a	n/a
4DT -24	24" Pipe Length, Galvanized	904	24" Pipe Length, Galvanized
4DT -24B	24" Pipe Length, Black	904B	24" Pipe Length, Black
4DT -36	36" Pipe Length, Galvanized	903	36" Pipe Length, Galvanized
4DT -36B	36" Pipe Length, Black	903B	36" Pipe Length, Black
4DT -48	48" Pipe Length, Galvanized	902	48" Pipe Length, Galvanized
4DT -48B	48" Pipe Length, Black	902B	48" Pipe Length, Black
4DT -AJ	Adjustable Length, 11"-14", Galv.	911	Adjustable Length, 11"-14", Galv.
4DT -AJB	Adjustable Length, 11"-14" Black	911	Adjustable Length, 11"-14", Black
4DT -EL45	45° Elbow, Galvanized	945	45° Elbow, Galvanized
4DT -EL45B	45° Elbow, Black	945B	45° Elbow, Black
4DT -EL90	90° Elbow, Galvanized	990	90° Elbow, Galvanized
4DT -EL90B	90° Elbow, Black	990B	90° Elbow, Black
4DT -AA	Appliance Adaptor, Black	n/a	n/a
4DT -RD	Restriction Disc	929	Restrictor Disc
4DT -CS	Ceiling Support	949	Round Ceiling Support / Wall Thimble Cover
4DT -CSS	Cathedral Support Box	941	Cathedral Ceiling Support Box
4DT -WS/B	Wall Support/Band	988	Wall Stap
4DT -OS	Offset Support	989	Elbow Strap
4DT -WT	Round Wall Thimble, Black	942	Wall Thimble
4DT -FS	Firestop Spacer	963	Ceiling Firestop
4DT- TP	Trim Plate, Black	n/a	n/a
4DT -HKA	Horizontal Term. Kit A	970	Basic Horizontal Term. Kit
4DT -HKB	Horizontal Term. Kit B	971	Horizontal Termination Kit A
4DT -V KC	Vertical Termination Kit	978	Vertical Termination Kit
4DT -HVC	High Wind Vertical Cap	991	High Wind Termination Cap
4DT -HHC	High Wind Horizontal Cap	985	Horiz. Square High Wind Termination
4DT -SC	Storm Collar	953	Storm Collar
4DT -AF6	Adjustable Flashing, 0/12-6/12	943	Adj. Roof Flashing 0/12-6/12
4DT -AF12	Adjustable Flashing, 6/12-12/12	943S	Steep Roof Flash. 7/12-12/12
4DT -VS	Vinyl Siding Standoff	950	Vinyl Siding Standoff
4DT -VSP	Vinyl Siding Shield Plate	n/a	n/a
4DT -ST14	Snorkel Termination 14"	982	Snorkel Termination Cap 14"
4DT -ST36	Snorkel Termination 36"	981	Snorkel Termination Cap 36"

Secure Vent Direct Vent System

Secure Vent Direct Vent System 4" X 6-5/8" AND 5" X 8"	SECURE VENT	Simpson Dura-Vent Direct Vent GS Stock No.	SECURE VENT	Simpson Dura-Vent Direct Vent GS Stock No.
	CAT.NO.	4"	CAT.NO.	5"
Description				
Length 6" (galvalume)	SV4L6	908	SV5L6	1208
Length 6" (black)	SV4LB6	908B	SV5LB6	1208B
Length 12" (galvalume)	SV4L12	906	SV5L12	1206
Length 12" (black)	SV4LB12	906B	SV5LB12	1206B
Length 24" (galvalume)	SV4L24	904	SV5L24	1204
Length 24" (black)	SV4LB24	904B	SV5LB24	1204B
Length 36" (galvalume)	SV4L36	903	SV5L36	1203
Length 36" (black)...	SV4LB36	903B	SV5LB36	1203B
Length 48" (galvalume)	SV4L48	902	SV5L48	1202
Length 48" (black)	SV4LB48	902B	SV5LB48	1202B
Adjustable length (galvalume) (adjustable 6")	SV4LA	N/A	SV5LA	N/A
Adjustable (black) length (adjustable 6")	SV4LBA	N/A	SV5LBA	N/A
Adjustable length (galvalume) (adjustable 12")	SV4LA12	N/A	SV5LA12	N/A
Adjustable (black) length (adjustable 12")	SV4LBA12	N/A	SV5LBA12	N/A
Adjustable length (galvalume) (adjustable 24")	SV4LA24	917	SV5LA24	1217B
Adjustable (black) length (adjustable 24")	SV4LBA24	917B	SV5LBA24	1217B
Swivel 45° elbow (galvalume)	SV4E45	945G	SV5E45	1245G
Swivel 45° elbow (black)	SV4EB45	945BG	SV5EB45	1245BG
Rigid 45° elbow (black)	SV4EBR45	945B	SV5EBR45	1245B
Swivel 90° elbow (galvalume)	SV4E90	990G	SV5E90	1290G
Swivel 90° elbow (black)	SV4EB90	990BG	SV5EB90	1290BG
Rigid 90° elbow (black)	SV4EBR90	990B	SV5EBR90	1290B
Adjustable decorative square cathedral support	SV4CSB	941	SV5CSB	1241
Collar for decorative square cathedral support	SV4AC	N/A	SV5AC	N/A
Decorative black plate (square)	SV4PF	940	SV5PF	1240
Universal support	SV4SU	989	SV5SU	1289
Floor support	SV4SD	N/A	SV5SD	N/A
Roof Brace	SV4BS	N/A	SV5BS	N/A
Roof Support	SV4ST	N/A	SV5ST	N/A
Wall band	SV4BM	988	SV5BM	1288
Attic radiation shield	SV4RSA	N/A	SV5RSA	N/A
Wall radiation shield	SV4RSM	942	SV5RSM	1242
Firestop	SV4BF	963	SV5BF	1263
Flat roof flashing (storm collar included)	SV4F	943F	SV5F	1243F
Adjustable roof flashing 1/12-7/12 (storm collar included)	SV4FA	943	SV5FA	1243
Adjustable roof flashing 8/12-12/12 (storm collar included)	SV4FB	943S	SV5FB	1243S
Storm Collar	SV4FC	953	SV5FC	1253
Vinyl shield protector	SV4VS	950	SV5VS	1250
Restrictordisk	SV4RD	929	SV5RD	N/A
VERTICAL TERMINATION CAP	SV4CGV	980	SV5CGV	1280
HORIZONTAL TERMINATION CAP	SV4CHC-1	984	SV5CHC-1	1284
SNORKEL CAP 14"	SV4STC14	982	SV5STC14	1282
SNORKEL CAP 36"	SV4STC36	981	SV5STC36	1281

HARMAN GOLD WARRANTY

HARMAN GOLD WARRANTY 6 YEAR TRANSFERABLE LIMITED WARRANTY (Residential) 1 YEAR LIMITED WARRANTY (Commercial)



Harman Stove Company warrants its products to be free from defects in material or workmanship, in normal use and service, for a period of 6 years from the date of sales invoice and for mechanical and electrical failures, in normal use and service, for a period of 3 years from the date of sales invoice.

If defective in material or workmanship, during the warranty period, Harman Stove Company will, at its option, repair or replace the product as described below.

The warranty above constitutes the entire warranty with respect to Harman Stove Company products. HARMAN STOVE COMPANY MAKES NO OTHER WARRANTY, EXPRESSED OR IMPLIED, INCLUDING "ANY" WARRANTY OF MERCHANTABILITY, OR WARRANTY OF FITNESS FOR A PARTICULAR PURPOSE. No employee, agent, dealer, or other person is authorized to give any warranty on behalf of Harman Stove Company. This warranty does not apply if the product has been altered in any way after leaving the factory. Harman Stove Company and its agents assume no liability for "resultant damages of any kind" arising from the use of its products. In addition, the manufacturer and its warranty administrator shall be held free and harmless from liability from damage to property related to the operation, proper or improper, of the equipment.

THERE ARE NO WARRANTIES WHICH EXTEND BEYOND THE DESCRIPTION ON THE FACE HEREOF.

THESE WARRANTIES APPLY only if the device is installed and operated as recommended in the user's manual.

THESE WARRANTIES WILL NOT APPLY if abuse, accident, improper installation, negligence, or use beyond rated capacity causes damage.

HOW TO MAKE A CLAIM - Any claim under this warranty should be made to the dealer from whom this appliance was purchased. Then contact is made with manufacturer, giving the model and serial numbers, the date of purchase, your dealer's name and address, plus a simple explanation of the nature of the defect. Extra costs such as mileage and overtime are not covered. Nuisance calls are not covered by these warranties.

THIS WARRANTY IS LIMITED TO DEFECTIVE PARTS - REPAIR AND/OR REPLACEMENT AT HARMAN STOVE COMPANY'S OPTION AND EXCLUDES ANY INCIDENTAL AND CONSEQUENTIAL DAMAGES CONNECTED THEREWITH.

WARRANTY EXCLUSIONS: Failure due, but not limited to, fire, lightning, acts of God, power failures and/or surges, rust, corrosion and venting problems are not covered. Damage and/or repairs including but not limited to; remote controls, filters, fuses, knobs, glass, ceramic brick panels, ceramic fiber afterburners, door packing, tile, ceramic log sets, paint, batteries or battery back-up and related duct work are not covered. Also excluded from this warranty are consumable or normal wear items including but not limited to; flame guides, grates, coal bars, afterburner hoods, fire brick, gaskets. Additional exclusions for corn stoves are burnpot housing weldment, burnpot grate weldment (pellet or corn), burnpot front plate (pellet or corn), burnpot front plate lock, corn auger extension, ceramic insert, and ceramic insert plate. Additional or unusual utility bills incurred due to any malfunction or defect in equipment and the labor cost of gaining access to or removal of a unit that requires special tools or equipment are not covered. Maintenance needed to keep the stove in "good operating condition" is not covered. This includes, but is not limited to, cleaning, adjustment of customer controls and customer education. Labor, materials, expenses and/or equipment needed to comply with law and/or regulations set forth by any governmental agencies are not covered.

This Warranty provides specific legal rights and the consumer may have other rights that vary from state to state.

In the event of change in ownership, the remaining portion of this warranty may be transferred to the new owner by sending the new owner information and a transfer fee of \$25.00 US to the Harman Stove Company.

PLEASE READ THE LITERATURE BY THE MANUFACTURER FOR THE VARIOUS ACCESSORY DEVICES. THE MANUFACTURER WARRANTS THESE ACCESSORY DEVICES, NOT HARMAN STOVE COMPANY OR THEIR WARRANTY ADMINISTRATOR. FURTHERMORE, THESE ACCESSORY DEVICES MUST BE INSTALLED AND USED ACCORDING TO THE RECOMMENDATIONS OF THE MANUFACTURER.

REMEDIES - The remedies set forth herein are exclusive and the liability of seller with respect to any contract or sale or anything done in connection therewith, whether in Contract, in tort, under any warranty, or otherwise, shall not, except as herein expressly provided, exceed the price of the equipment or part of which such liability is based.

CLARIFY - The above represents the complete warranty, which is given in connection with stoves, manufactured by Harman Stove Company. No other commitments, verbal or otherwise, shall apply except by a written addendum to this warranty.

Free Manuals Download Website

<http://myh66.com>

<http://usermanuals.us>

<http://www.somanuals.com>

<http://www.4manuals.cc>

<http://www.manual-lib.com>

<http://www.404manual.com>

<http://www.luxmanual.com>

<http://aubethermostatmanual.com>

Golf course search by state

<http://golfingnear.com>

Email search by domain

<http://emailbydomain.com>

Auto manuals search

<http://auto.somanuals.com>

TV manuals search

<http://tv.somanuals.com>