

The Harman Conquest Gas Stove



"Ce manuel est disponible en Français sur demande"



R6

SAFETY NOTICE

PLEASE READ THIS ENTIRE MANUAL BEFORE YOU INSTALL AND USE YOUR NEW ROOM HEATER. FAILURE TO FOLLOW INSTRUCTIONS MAY RESULT IN PROPERTY DAMAGE, BODILY INJURY, OR EVEN DEATH.

FOR USE IN THE U.S. AND CANADA. SUITABLE FOR INSTALLATION IN MOBILE HOMES

IF THIS HARMAN STOVE IS NOT PROPERLY INSTALLED, A HOUSE FIRE MAY RESULT. FOR YOUR SAFETY, FOLLOW INSTALLATION DIRECTIONS.

CONTACT LOCAL BUILDING OR FIRE OFFICIALS ABOUT RESTRICTIONS AND INSTALLATION INSPECTION REQUIREMENTS IN YOUR AREA.

CONTACT YOUR LOCAL AUTHORITY (SUCH AS MUNICIPAL BUILDING DEPARTMENT, FIRE DEPARTMENT, FIRE PREVENTION BUREAU, ETC.) TO DETERMINE THE NEED FOR A PERMIT.

CETTE GUIDE D'UTILISATION EST DISPONIBLE EN FRANCAIS. CHEZ VOTRE CONCESSIONNAIRE DE HARMAN STOVE COMPANY.

SAVE THESE INSTRUCTIONS.

This appliance must be installed in accordance with local codes, if any, if not; follow the current edition of the National Fuel Gas Code, ANSI Z223.1 or Canadian Installation Codes, CAN/CGA B149. (Installer l'appareil selon les codes ou règlements locaux, ou, en l'absence de tels règlements, selon les Codes d'installation CAN/CGA-B149)

CAUTION: Do not operate the appliance with glass removed, cracked or broken. Replacement of the panel(s) should be done by a licensed or qualified service person.

WARNING: If the information in this manual is not followed exactly, a fire or explosion may result causing property damage, personal injury or loss of life.

FOR YOUR SAFETY

Do not store or use gasoline or other flammable vapors and liquids in the vicinity of this or any other appliance.

FOR YOUR SAFETY: WHAT TO DO IF YOU SMELL GAS

- Do not try to light any appliance.
- Open windows.
- Extinguish any open flame.
- Do not touch any electrical switch; do not use any phone in your building.
- Immediately call your gas supplier from a neighbor's phone.

Follow the gas supplier's instructions.

- If you cannot reach your gas supplier, call the fire department.

Installation and service must be performed by a qualified gas installer, service agency, or the gas supplier.

Table of Contents

Introduction	4
Safety Precautions	4
Operation	5
Specifications	7
Clearances	8
Installation	9
Venting	10
Changing To Natural Gas	14
Option Installation	
Thermostat	18
Remote Control	18
Glass Grill	18
Blower	19
Maintenance	20
Wiring Diagram	22
Parts	24
Trouble Shooting	26

*Manufactured by The
Harman Stove Company
352 Mountain House Rd.
Halifax PA 17032
USA*

The Harman Conquest Direct Vent Gas Stove is a listed gas-fired direct vent room fireplace tested by Intertek Testing Services/Warnock Hersey to ANSI Z21.88-2002, CSA 2.33-M02 and CANL/CGA-2.17-M91.

The installation of the Conquest Direct Vent Gas Stove must conform with local codes, or in the absence of local codes, with National Fuel Gas Code, ANSI Z223.1 — latest edition and CAN 1 B1-149.1 and .2 Installation Code.

Also for use in mobile (manufactured) homes after home is sited.

Mobile (manufactured) home installations must adhere to Title 24 CFR, Part 3280, or CSA Z240.4.

CAUTION: This appliance must be vented to the outside.

Installation and repair of the Conquest Direct Vent Gas Stove should be done by a qualified service person. The appliance should be inspected before use and at least annually by a qualified service person. More frequent cleaning may be required due to excessive lint from carpeting, bedding material, etc. It is imperative that control compartments, burners, and circulating air passageways of the Conquest be kept clean.

When operating your Harman Conquest Gas Stove, respect basic safety standards. Read these instructions carefully before you attempt to operate the stove. Failure to do so may result in damage to property or personal injury and may void the product warranty.

Consult with your local building code agency and insurance representative before you begin your installation to ensure compliance with local codes, including the need for permits and follow-up inspections.

Several issues must be addressed when selecting a suitable location for your Conquest Gas Stove. Observing required clearances to combustible materials, the proximity to a safe chimney or venting system location, and the accessibility of the gas and electrical supply must all be considered. In addition, selecting a location that takes advantage of the building's natural air flow is also desirable to maximize the heating effectiveness of the stove. In many cases, this is a central location within the building.

Any safety screen or guard removed for servicing an appliance must be replaced prior to operating the appliance.

Due to high temperatures, the Conquest Direct Vent Gas Stove should be located out of traffic and away from furniture and draperies.

Children and adults should be alerted to the hazards of high surface temperatures and should stay away to avoid burns or clothing ignition.

Young children should be carefully supervised when they are in the same room as the appliance.

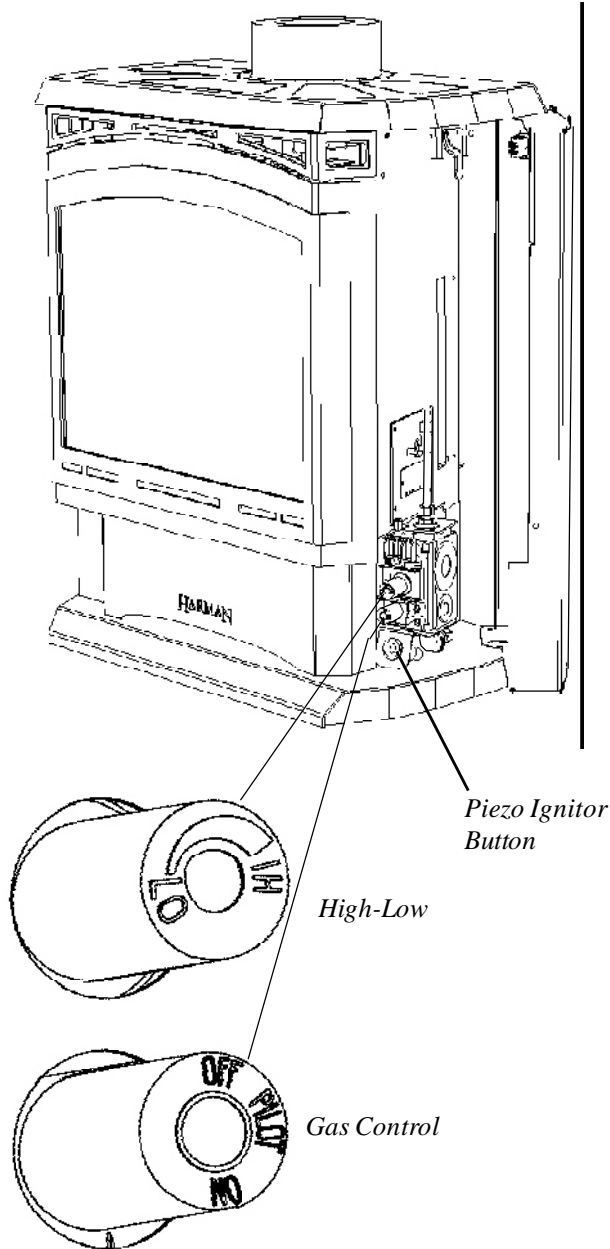
Clothing or other flammable materials should not be placed on or near the appliance. Surveiller les enfants. Garder les vêtements, les meubles, lessence ou autres liquides a vapeur inflammables lin de l'appareil.

This appliance may be installed in an after-market permanently located (mobile) home, where not prohibited by local codes.

This appliance is only for use with the type(s) of gas indicated on the rating plate. This appliance is not convertible for use with other gases, unless a certified kit is used.

Cet appareil peut être installé dans un maison prefabriquée (mobile) déjà installée à demeure si les règlements locaux le permettent.

Cet appareil doit être utilisé uniquement avec les types de gaz indiqués sur la plaque signalétique. Ne pas l'utiliser avec d'autres gaz sauf si un kit de conversion certifiée est installé.

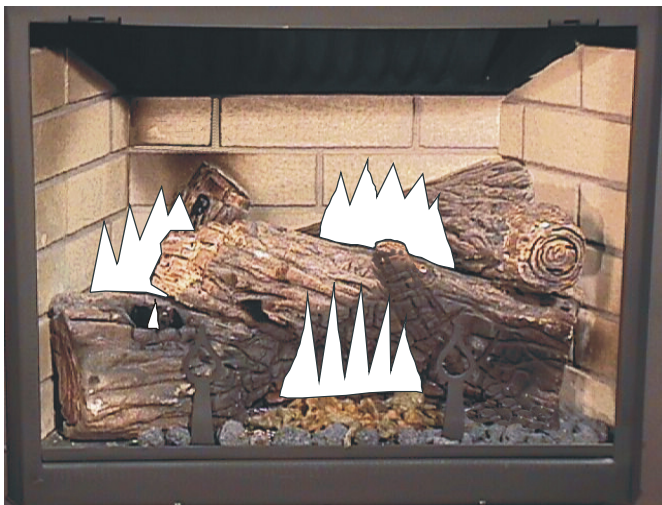
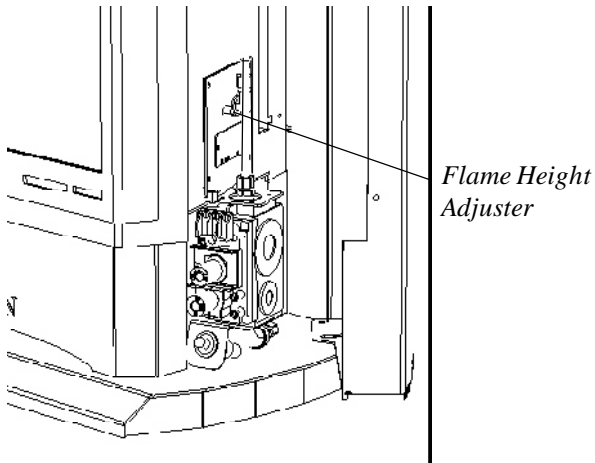


Operation

HOW TO LIGHT THE FIRE

1. STOP! Read the safety information on the front cover of this manual.
2. If using the optional thermostat, set thermostat to the lowest setting.
3. Turn off electric power to the optional blower.
4. Turn the ON-OFF switch to the OFF position.
5. Push in the gas control knob slightly and turn it clockwise to "OFF." NOTE: THE KNOB CANNOT BE TURNED FROM "PILOT" TO "OFF" UNLESS IT IS PUSHED IN SLIGHTLY. DO NOT FORCE IT.
6. Wait five (5) minutes to clear out any gas. If you then smell gas, STOP! Follow "B" in the safety information on the front cover. If you don't smell gas, go to the next step.
7. Set the High-Low Regulator to High by turning it fully counterclockwise.
8. Press in the gas control knob slightly and turn counterclockwise to "PILOT."
9. Find the pilot by looking down between the logs as shown at lower left.
10. Push the control knob fully down and hold. Immediately push the red piezo ignitor button to light the pilot. It is normal to have to push the red button several times before the pilot ignites. Continue to hold the control knob in for about one (1) minute after the pilot is lit. Release the knob and it will pop back up. Pilot should remain lit. If it goes out, repeat steps 5 through 10.
 - If the knob does not pop up when released, stop and immediately call your service technician or gas supplier.
 - If the pilot will not stay lit after several tries, turn the gas control knob to "OFF" and call your service technician or gas supplier.
11. Turn the gas control knob counterclockwise to "ON."
12. Place the ON-OFF switch in the ON position or turn up the thermostat setting if the optional thermostat is used.
13. Turn on the electric power to the optional blower if installed.
14. Set the optional thermostat to the desired room temperature.





Normal Flame pattern. Note: Flames will vary in height and position depending on the placement and the amount of ember wool.

15. Set the High-Low Regulator to desired setting:
Turn fully counterclockwise for High and fully clockwise for Low.

NOTE: An odor, resulting from the initial heating of new materials in your heater, is not unusual during the first fire, and in most cases will disappear after an hour or two.

HOW TO TURN OFF THE FIRE

1. If using optional thermostat, set thermostat to the lowest position.
2. Turn off the electric power to the blower.
3. Turn the ON-OFF switch on the upper right rear of the stove to the OFF position.
4. Push in the gas control knob slightly and turn it clockwise to "OFF."

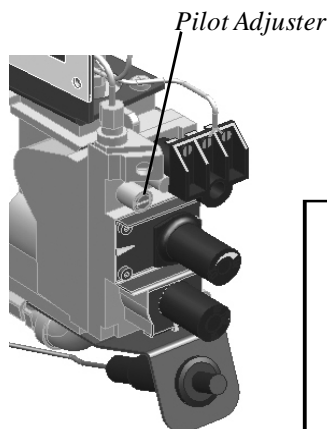
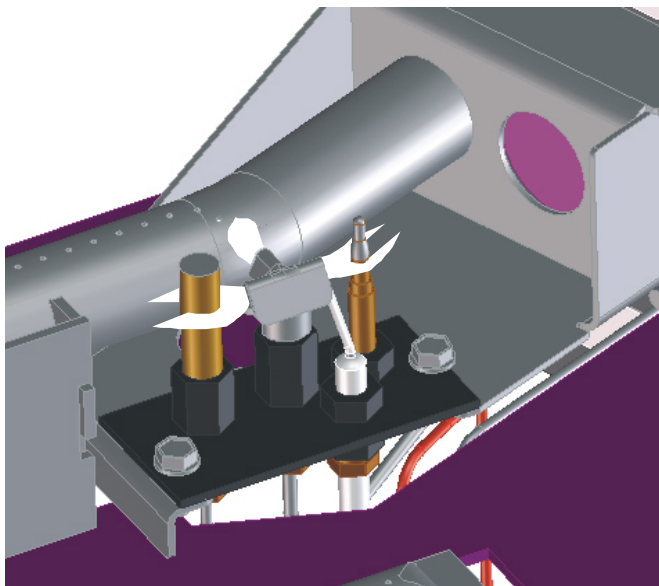
NOTE: The knob cannot be turned from "PILOT" to "OFF" unless it is pushed in slightly. Do not force it.

FLAME HEIGHT ADJUSTMENT

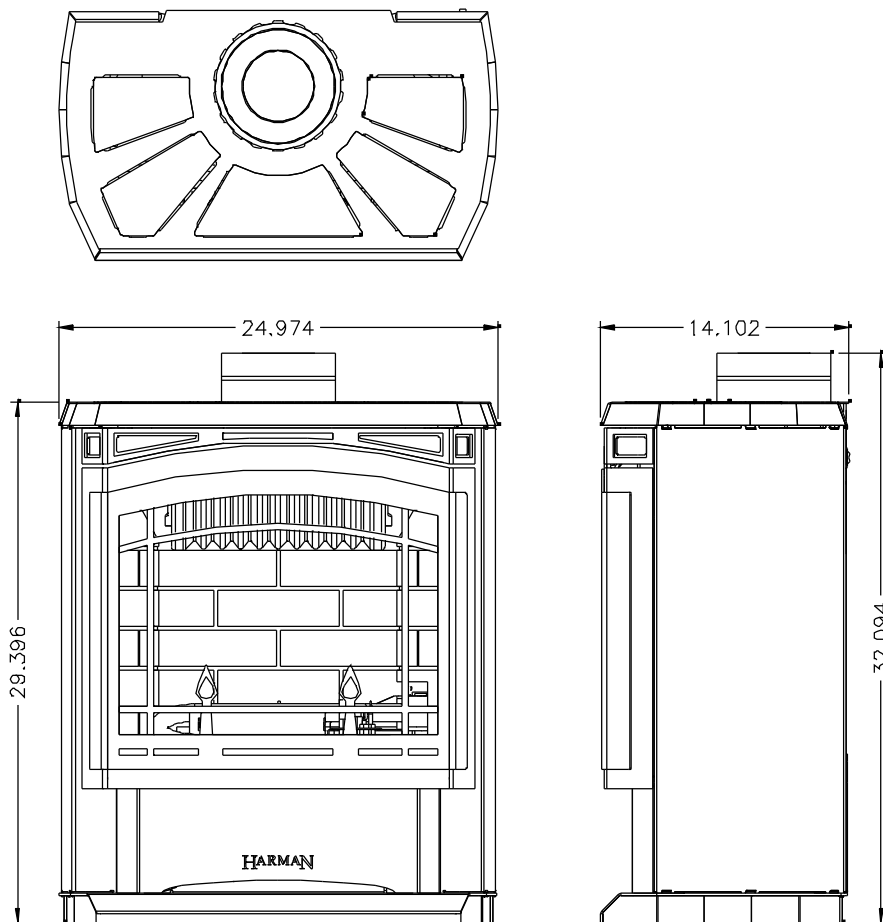
The flame height adjuster can be accessed by opening the right side panel. Turn the adjuster clockwise to increase flame height and counterclockwise to decrease. See above left. Adjusting the flames too high will cause them to have black tips and cause sooting. Sooting can cause the glass to get dirty. Check flame height after five to ten minutes and re-adjust if necessary.

Pilot Flames

If pilot flames are less than shown at left, use pilot adjuster shown below, to increase flames.



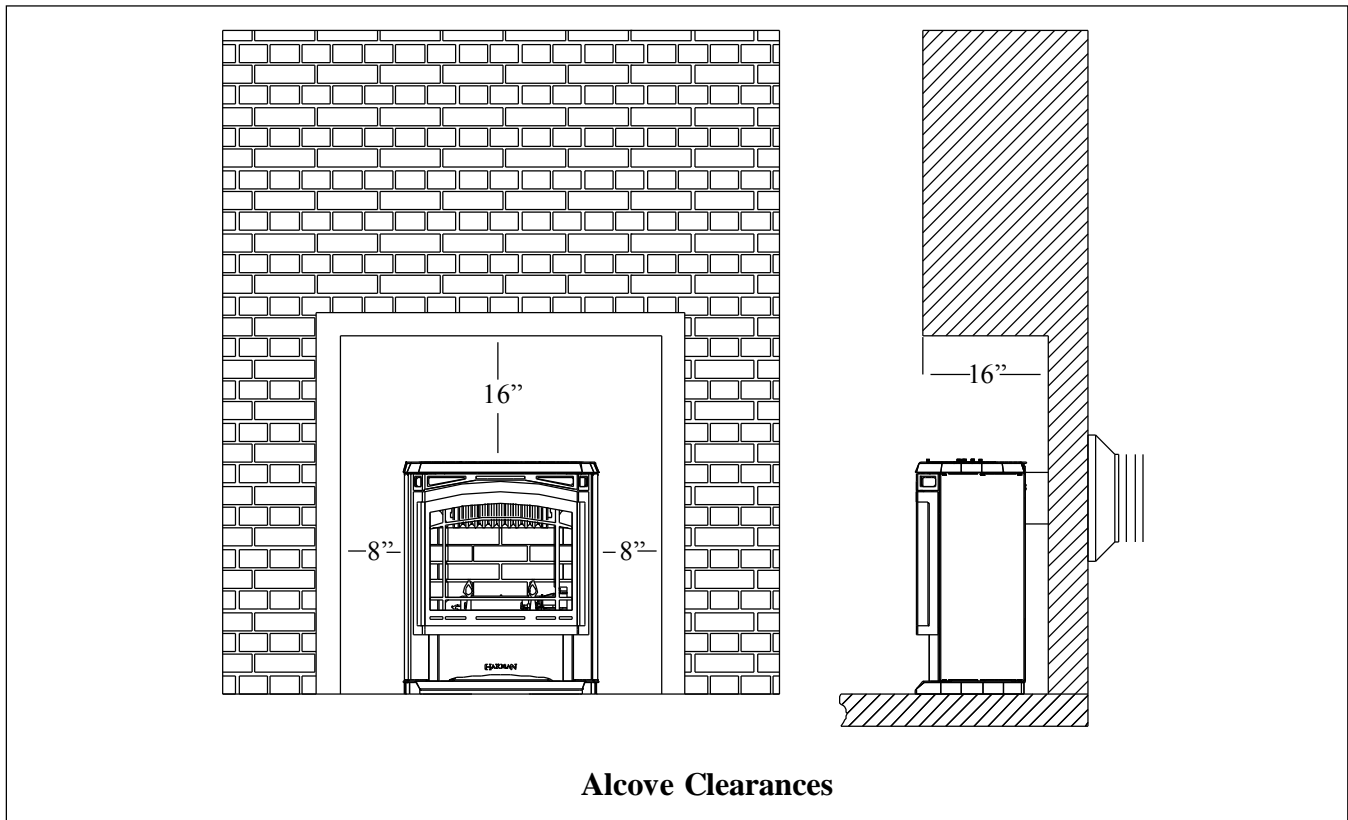
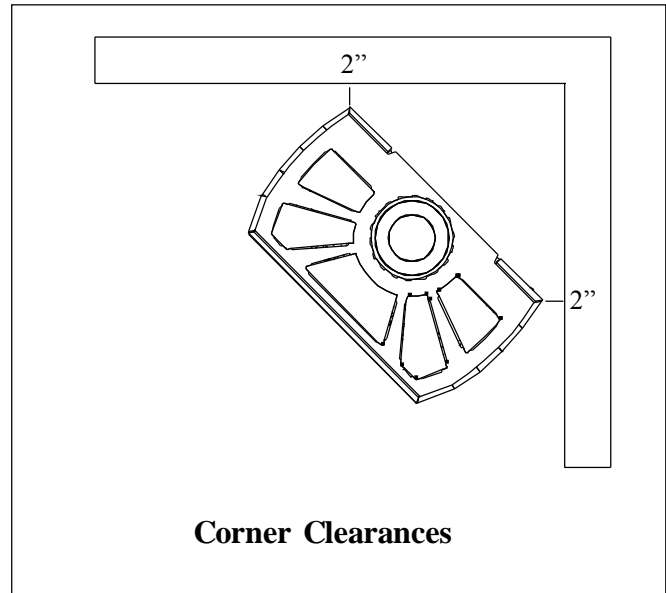
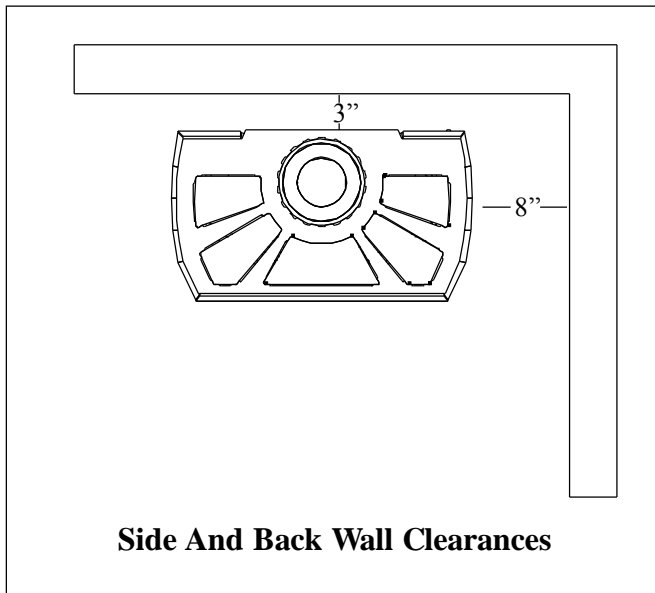
Warning: The unit and adjuster may be hot. Wear gloves and arm protection if making adjustments while in operation.



RATINGS	NATURAL	PROPANE
Input Rating (Btu/hr)(0-4500 ft.)(0-1375 m)	29000	29000
Min. Input Rating (Btu/hr)(0-4500 ft.)(0-1375 m)	14900	14100
Orifices (DMS)(0-4500 ft.)(0-1375 m)	37	53
Manifold Pressure (in w.c./kPa)	3.8/.95	11.0/2.75
Min. Manifold Pressure (in w.c./kPa)	1.1/.27	2.8/.7
Min. Inlet Pressure (in w.c./kPa)	5.0/1.25	11.5/2.87
Max. Output (Btu/hr)(0-4500 ft.)(0-1375 m) (Blower Off)	21375	21854

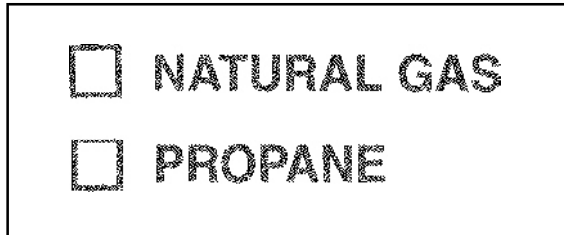
MINIMUM CLEARANCES FROM COMBUSTIBLE CONSTRUCTION

Unit to corner walls	2 in.
Unit to side wall	8 in.
Unit to back wall	3 in.
Unit to alcove ceiling	16 in.
Maximum alcove depth	16 in.
Electrical Rating: 120 Volts, 60 Hz, >	.7 AMP



Burn Only the Fuel for which the Heater is Equipped

The Conquest can burn either natural gas or propane, but requires a change-over kit for natural gas. The label on the burner system module indicates the fuel for which it is equipped. A second label, (on the valve) also indicates the fuel type.



Making The Connection

The gas inlet is located on the bottom right side of the stove. The inlet fitting is a 1/2" male flare fitting.

A separate gas shut-off valve and a 1/8" N.P.T. plugged tapping should be installed immediately upstream of the connection to the appliance.

The Conquest Direct Vent Gas Heater must be disconnected from the gas supply piping during any pressure testing of that system at pressures in excess of 1/2 psig (3.5 kPa).

The Conquest gas control valve must be in the OFF position during any pressure testing of the gas supply system at pressures equal to or less than 1/2 psig (3.5 kPa).

WARNING: To avoid pipe compounds from entering into the gas train, apply compounds only to male pipe threads and do not apply compound to the first two threads.

CAUTION: TEST ALL JOINTS FOR LEAKS BEFORE OPERATING.

Gas Pressure Requirements:

Correct gas pressure and the use of a properly sized gas supply line are essential for the safe and efficient performance of this appliance. Make sure that the plumber or gas supplier checks the gas supply line and gas pressure at installation.

NOTE: Improper gas pressure can affect heater performance, flame color, or cause pilot outage.

Natural Gas:

Maximum inlet pressure 7.0" w.c. (1.74 kPa)
Minimum inlet pressure 5.0" w.c. (1.25 kPa)
Gas manifold pressure 3.8" w.c. (0.87 kPa)

LPG Gas:

Maximum inlet pressure 13" w.c. (3.24 kPa)
Minimum inlet pressure 11.5" w.c. (2.74 kPa)
Gas manifold pressure 11" w.c. (2.49 kPa)

DO NOT USE THIS HEATER IF ANY PART HAS BEEN UNDER WATER OR EXPOSED TO MOISTURE CORROSION. IMMEDIATELY CALL A QUALIFIED SERVICE TECHNICIAN TO INSPECT THE HEATER AND REPLACE ANY PART OF THE CONTROL SYSTEM AND ANY GAS CONTROL WHICH HAS BEEN UNDER WATER.

RECOMMENDED GAS PIPE DIAMETER				
Pipe Length (Feet)	Schedule 40 Pipe Inside Diameter		Tubing, Type L Outside Diameter	
	N.G.	L.P.	N.G.	L.P.
0-10	1/2" 1.3 cm	3/8" 1.0 cm	1/2" 1.3 cm	3/8" 1.0 cm
10-40	1/2" 1.3 cm	1/2" 1.3 cm	5/8" 1.6 cm	1/2" 1.3 cm
40-100	1/2" 1.3 cm	1/2" 1.3 cm	3/4" 1.6 cm	1/2" 1.3 cm
100-150	3/4" 2.0 cm	1/2" 1.3 cm	7/8" 2.3 cm	3/4" 2.0 cm
NOTE: NEVER USE PLASTIC PIPE. CHECK TO CONFIRM WHETHER YOUR LOCAL CODES ALLOW COPPER TUBING OR GALVANIZED PIPE.				

A LABEL ON THE BURNER SYSTEM MODULE STATES THE FUEL FOR WHICH THE HEATER IS EQUIPPED.

Use Only Approved Venting

This appliance has been tested and is listed for installation with Simpson Duravent GS venting components. The Simpson Duravent GS warranty will be voided, and serious fire, health, or other safety hazards may result from any of the following actions:

- Installation of any damaged Duravent GS component.
- Unauthorized modification of the Duravent GS System.
- Installation of any component part not manufactured or approved by Simpson Duravent.
- Installation other than as instructed by Simpson Duravent and the appliance manufacturer.

Consult your local building codes before beginning the installation, and follow the manufacturer's instructions exactly. The Simpson Duravent GS venting components listed below are approved for use with the Conquest Direct Vent Gas Stove.

Part Numbers for SimpsonDura-Vent Pipe and Fittings

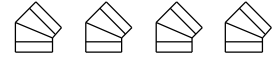
<u>6-5/8 x 4</u>	<u>8" x 5"</u>	<u>Description</u>
n/a	1208	6" Pipe Length
908B	1208B	6" Pipe Length, Black
n/a	1207	9" Pipe Length
907B	1207B	9" Pipe Length, Black
906	1206	12" Pipe Length
906B	1206B	12" Pipe Length, Black
904	1204	24" Pipe Length
904B	1204B	24" Pipe Length, Black
903	1203	36" Pipe Length
903B	1203B	36" Pipe Length, Black
902	1202	48" Pipe Length
902B	1202B	48" Pipe Length, Black
n/a	1211	11" to 14-5/8" Pipe, Adjustable
911B	1211B	11" to 14-5/8" Pipe, Adjustable, Black
n/a	1217	17" to 24" Pipe, Adjustable
945	1245	45° Elbow
945B	1245B	45° Elbow, Black
990	1290	90° Elbow
990B	1290B	90° Elbow, Black
940	1240	Rnd Support Box/Wall Thimble Cover
941	1241	Cathedral Ceiling Support Box
943	1243	Flashing, 0/12 to 6/12 Roof Pitch
943S	1243S	Flashing, 7/12 to 12/12 Roof Pitch
953	1253	Storm Collar
963	1263	Ceiling Firestop
988	1288	Wall Strap
981	1281	Snorkel Termination (36")
982	1282	Snorkel Termination (14")
984	1284	Horizontal Square Termination
980	1280	Vertical Termination
991	1291	Vertical Termination, High Wind
950	1250	Vinyl Siding Standoff
1222D (Only available from Harman)		8" x 5" to 6 5/8" x 4" Adaptor

CONQUEST Venting with 6 5/8" x 4" Pipe

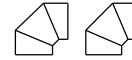
This appliance must not be connected to a chimney flue serving a separate solid fuel burning appliance.

Vent termination must remain within the shaded area regardless of configuration.

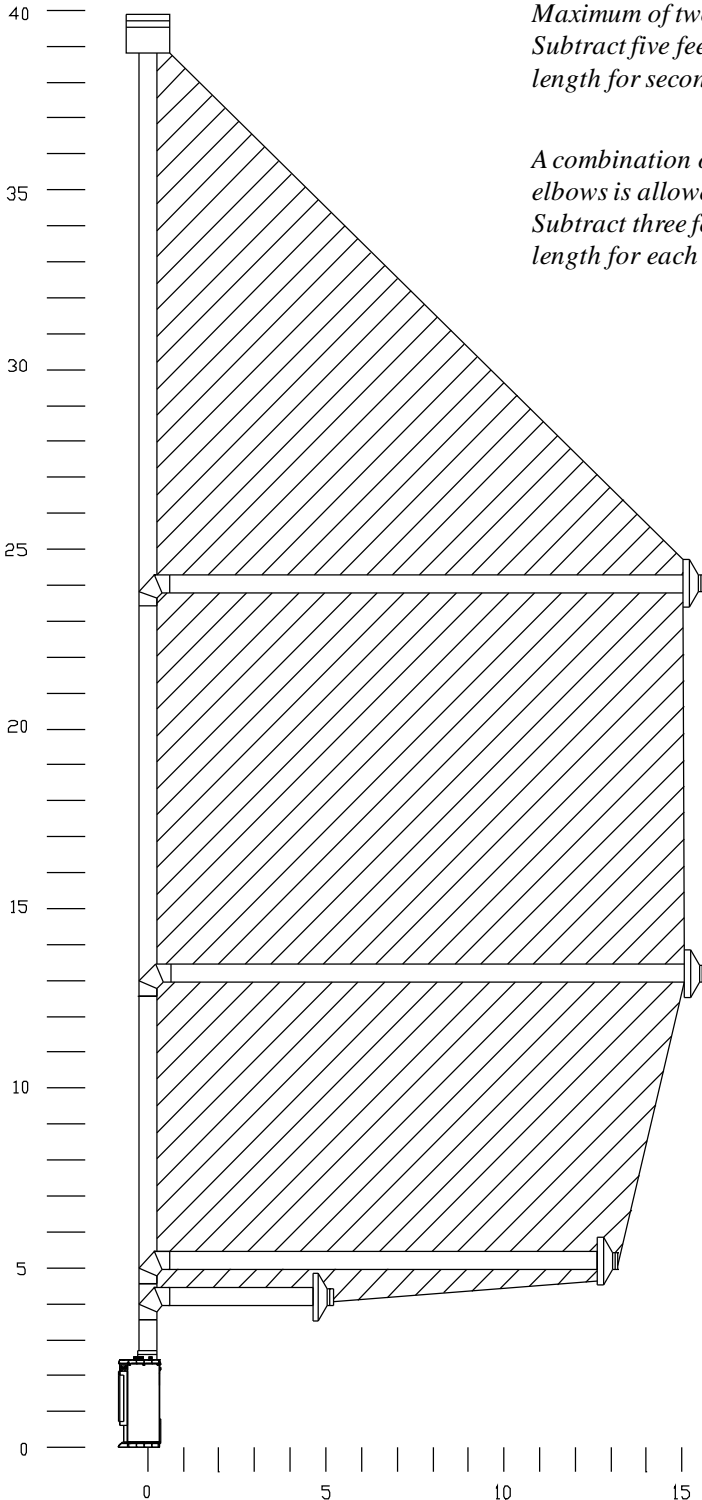
*Maximum of four 45° elbows allowed.
Subtract three feet of total horizontal pipe length for each of the 3rd and 4th 45° elbows used.*



*Maximum of two 90° elbows allowed.
Subtract five feet of total horizontal pipe length for second elbow.*

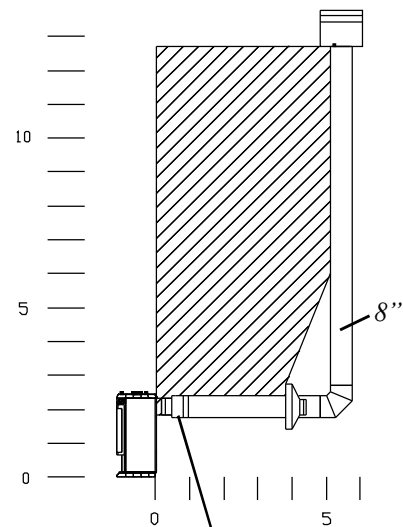
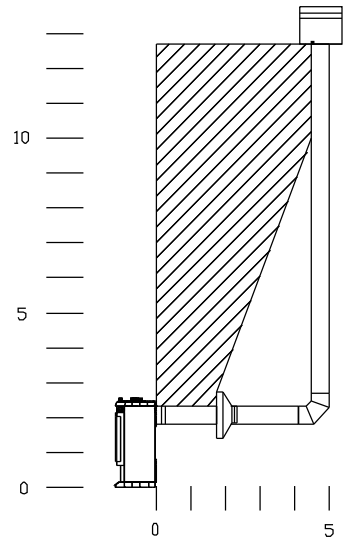


*A combination of one 90° elbow and two 45° elbows is allowed.
Subtract three feet of total horizontal pipe length for each 45° elbow used.*



Rear Vent

A snorkel termination is recommended when no vertical pipe is used.



6 5/8" to 8" Increaser

Requirements for Terminating the Venting

WARNING: Venting terminals must not be recessed into a wall or siding.

In addition, the following must be observed:

A. The clearance above grade, or a veranda, porch, deck or balcony must be a minimum of 12" (30 cm).¹

B. The clearance to a window or door that may be opened must be a minimum of 12" (30 cm).¹

C. A 12" (30 cm) clearance to a permanently closed window is recommended to prevent condensation on the window.

D. The vertical clearance to a ventilated soffit located above the terminal within a horizontal distance of 2 feet (60 cm) from the center-line of the terminal must be a minimum of 18" (46 cm).

E. The clearance to an unventilated soffit must be a minimum of 12" (30 cm).

F. The clearance to an outside corner is 11" from center of pipe.

G. The clearance to an inside corner is 12" (30 cm).

H. A vent must not be installed within 3 feet (90 cm) above a meter/regulator assembly when measured from the horizontal center-line of the regulator.¹

I. The clearance to service regulator vent outlet must be a minimum of 6 feet (1.8 m).¹

J. The clearance to a non-mechanical air supply inlet to the building or the combustion air inlet to any other appliance must be a minimum of 12 inches (30 cm).¹

K. The clearance to a mechanical air supply inlet must be a minimum of 6 feet (1.8 m).¹

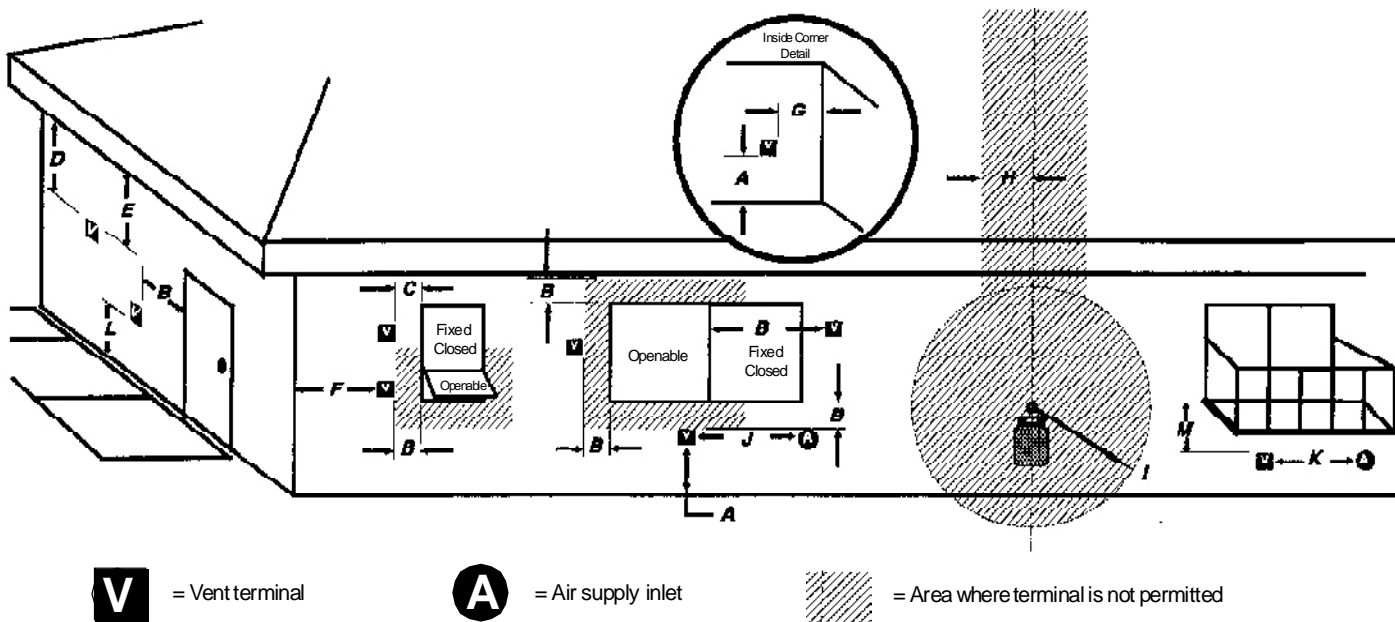
L. The clearance above a paved sidewalk or a paved driveway located on public property must be a minimum of 7 feet (2.1 m).^{1,2}

M. The clearance under a veranda, porch, deck or balcony must be a minimum of 12 inches (30 cm).^{1,3}

¹As specified in CAN 1 B1-149 Installation Codes (current edition). Note: Local codes or regulations may require different clearances.

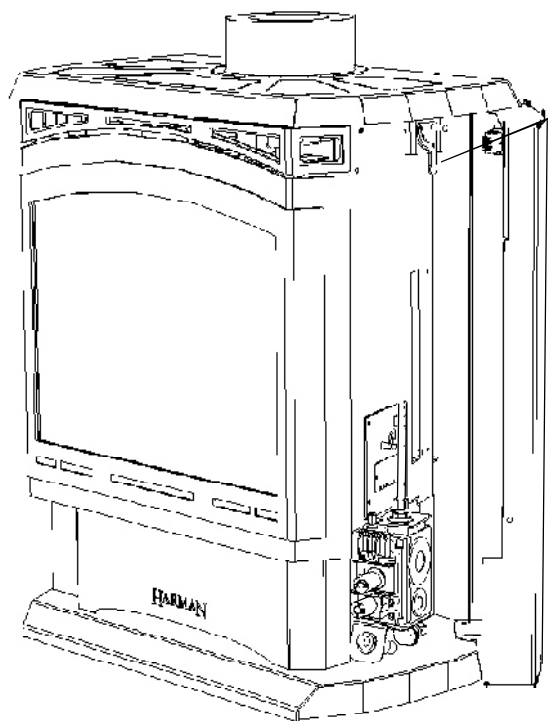
²A vent shall not terminate directly above a sidewalk or paved driveway which is located between two single family dwellings and serves both dwellings.

³Only permitted if veranda, porch, deck, or balcony is fully open on a minimum of 2 sides beneath the floor.

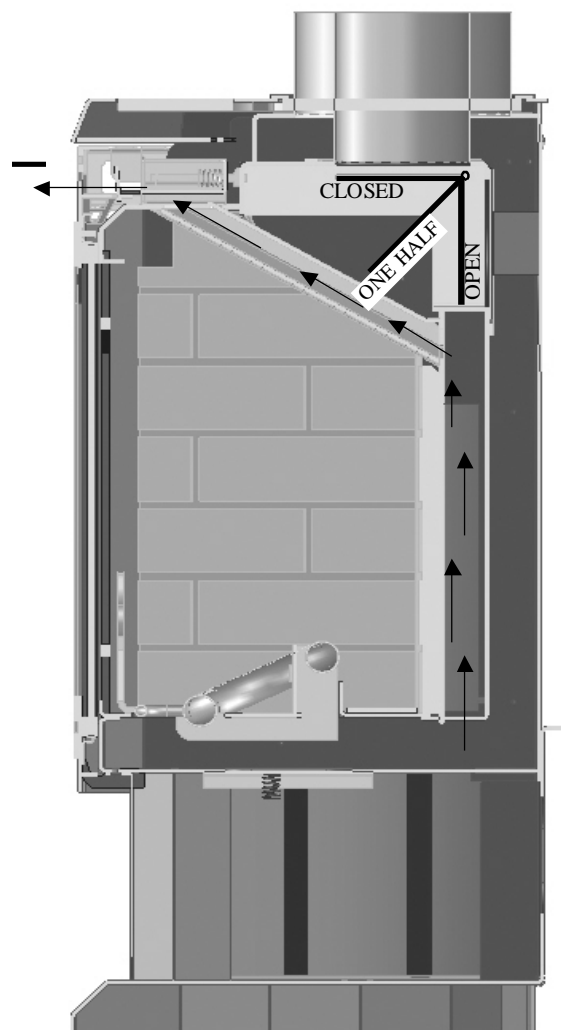


Damper Settings

Top Vent Only



Vent damper shown in the Maximum Draft "OPEN" position for top vent. Note: This would be the Minimum Draft "CLOSED" position if a rear vent was installed.



A vent damper is provided to allow fine tuning of the draft. Too little draft will cause flames to be too long with black tips and too much draft will cause flames to be short and blue.

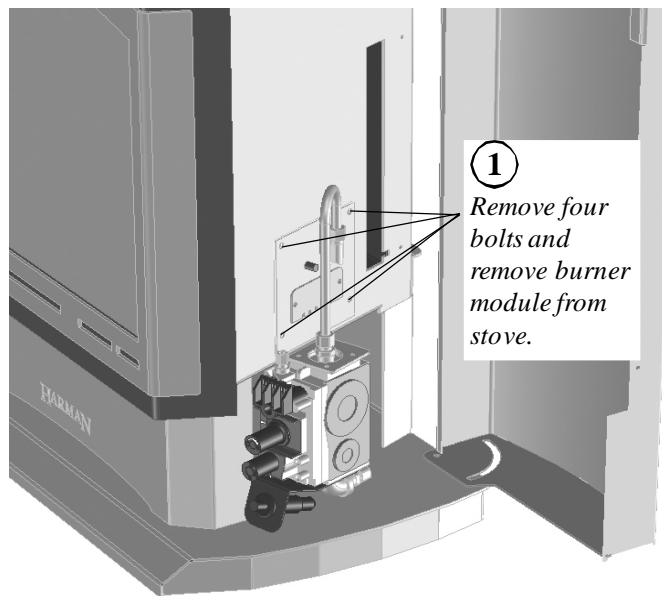
To adjust the damper, burn the unit on High 10 minutes or more. Adjust the vent damper to a position in the ranges listed below that produces the most desirable flame pattern. Note: 1 is less draft and 4 is maximum draft.

Range Of Approved Damper Settings

Natural Gas or Propane

0 Feet (rear Vent)	Open
6 feet	1/4 to Open
12 feet	1/4 to Open
24 feet	Closed to 1/2
36 feet	Closed to 1/2

Changing to Natural Gas



1
Remove four bolts and remove burner module from stove.

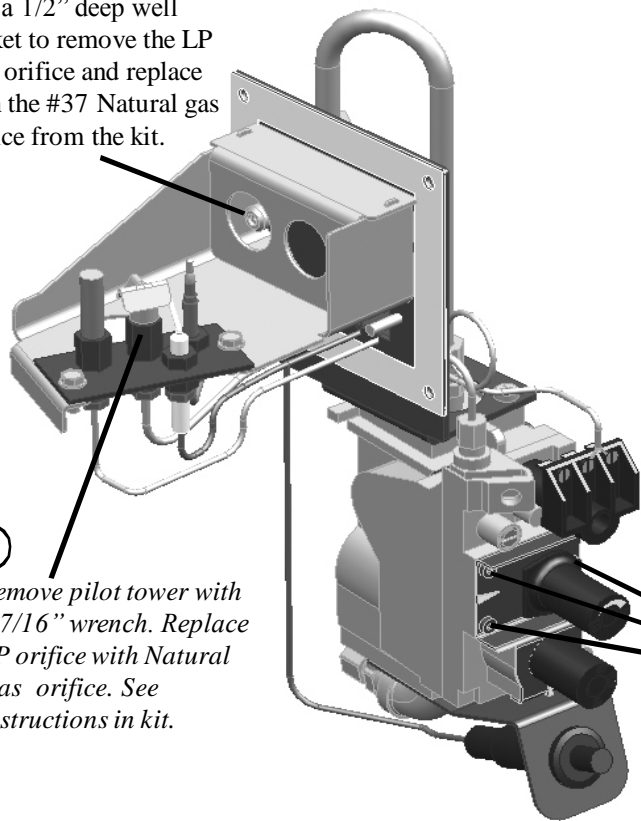
Natural Gas Conversion Kit

- NG Pilot Orifice
- NG Orifice #37
- NG Conversion label
- NG Valve Conversion Module
- NG Conversion Instructions

Natural Gas Kit Part No. 1-00-09112

This kit is only for use in the Conquest direct vent gas stove.

2
Use a 1/2" deep well socket to remove the LP #53 orifice and replace with the #37 Natural gas orifice from the kit.

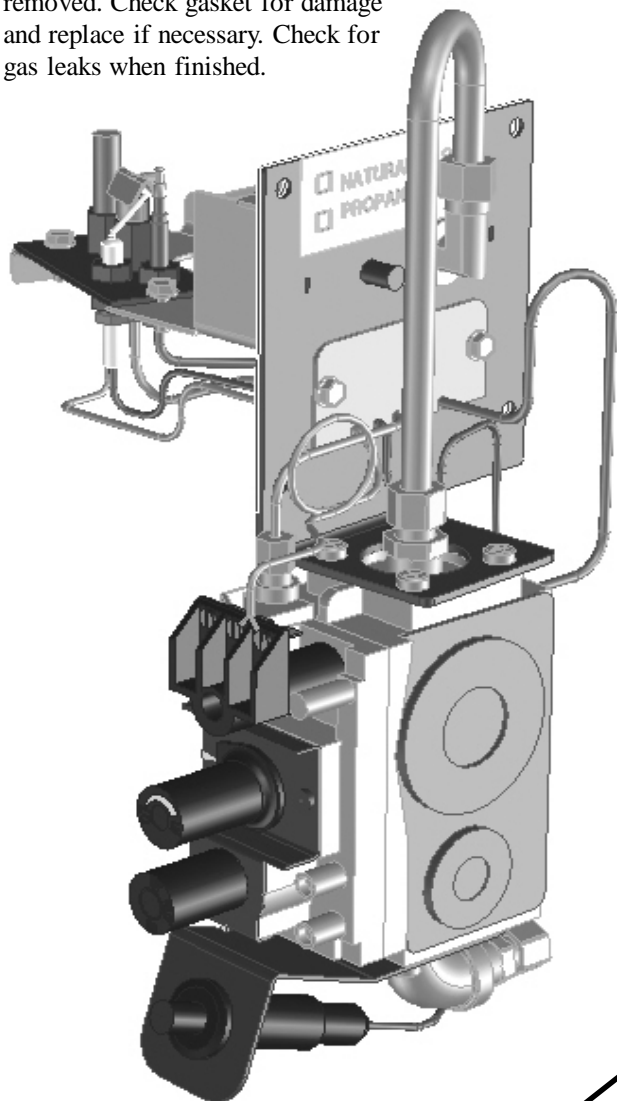


3
Remove pilot tower with a 7/16" wrench. Replace LP orifice with Natural Gas orifice. See instructions in kit.

4
Remove the three screws that hold the LP knob module in place. Remove the module and replace with the Natural gas module from the kit. See kit instructions.

5

Reinstall burner module back into the stove with the four bolts that were removed. Check gasket for damage and replace if necessary. Check for gas leaks when finished.



Note: The higher the orifice number the smaller hole in the tip. For example, a number 52 orifice has a larger hole than a number 60 orifice.

6

Place conversion sticker (provided in Kit) on the valve. This is to permanently mark the valve that it has been converted to Natural Gas. This label is important in the event that the valve is ever removed and mixed in with other valves.

7

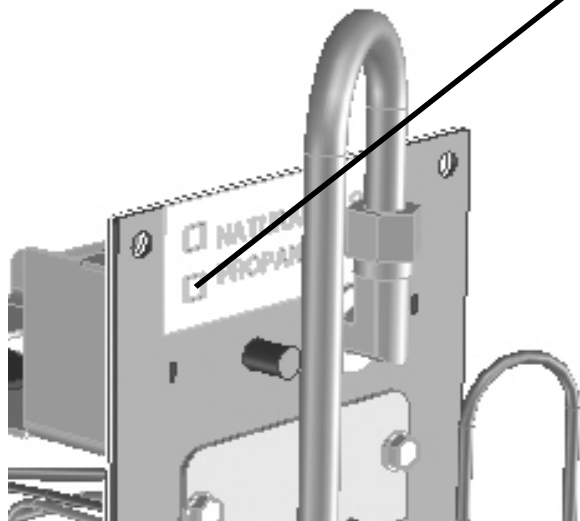
Mark the proper box on the label with a permanent marker.

Note: If no conversion is made, the box for the propane box must still be marked by the installer.

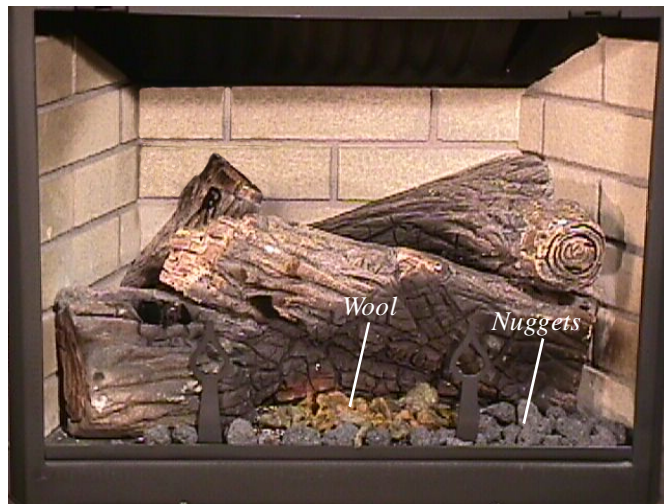
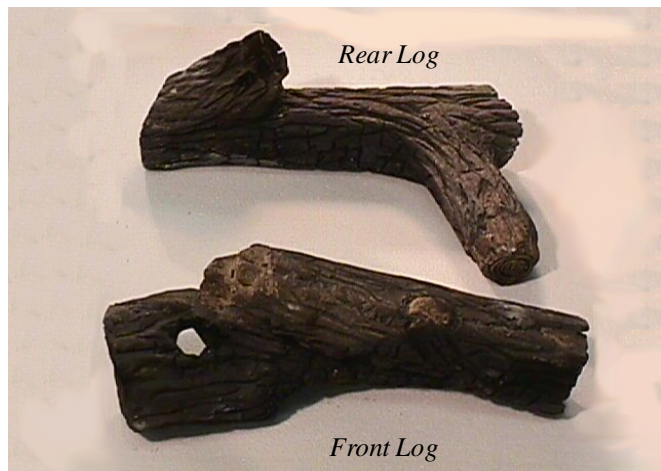
NATURAL GAS
 PROPANE

9

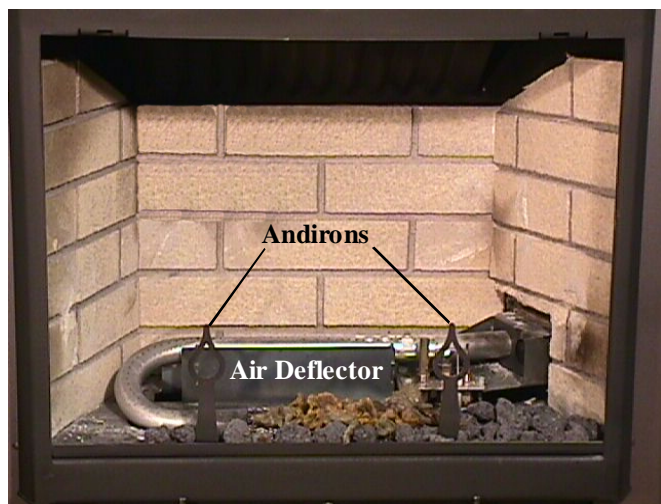
Verify gas inlet and manifold pressures are within the specifications on the appliance data plate located inside the bottom of the unit.



Log Placement



Place the rear log behind the front log with the branch resting on the front log on the right side as shown.



Before lighting a fire check that the rear log is as far back against the rear wall as possible.

The front log should be slide rearward in it's position between the andirons and deflector plate.



Place the front log as shown between the andirons and the air deflector.

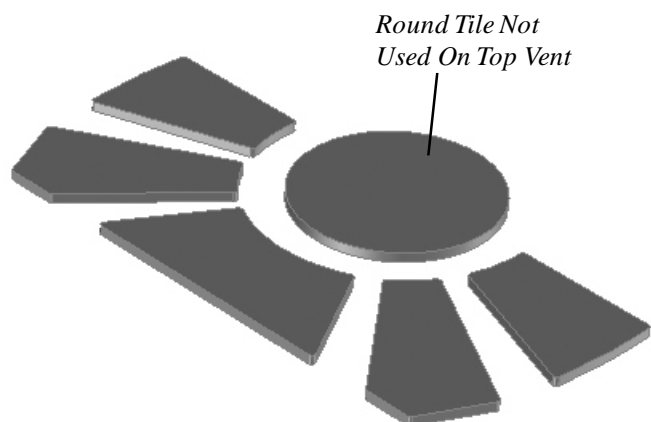
Ember Placement

After the logs are positioned, place the embers as shown above.

There are two types of embers supplied. One is a wool like material and the other like a nugget.

The wool is to be placed on the screen by pulling small pieces from the bunch with your fingers or a tweezers. Place the wool lightly on the screen over the horse shoe tube area. Be careful not to compact the wool. The looser and fluffier the better. The placement and density of the wool changes the front flames and glowing embers. You can try different placement to get the look you prefer.

Place nuggets where desired elsewhere in front of the log.



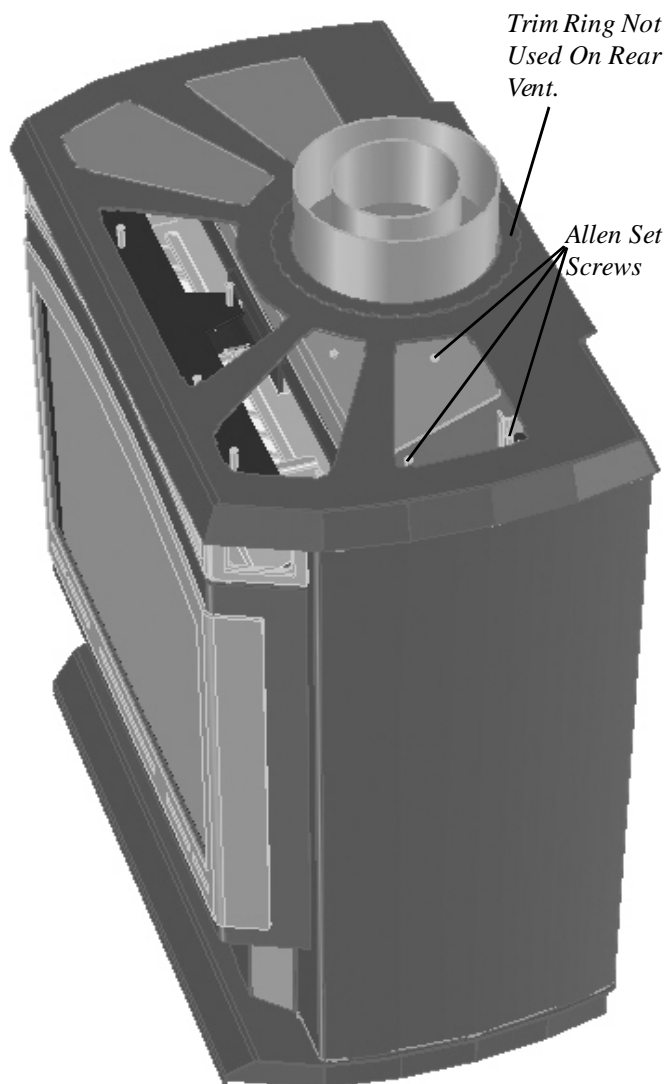
Tile Kit

Each tile kit contains six tiles and fifteen allen-set screws. If the Conquest is installed as a top vent, then the round tile is not used. If it is installed as a rear vent, then the trim ring is not used.

Installing Tiles

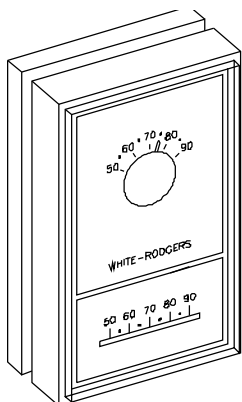
Below each tile opening are three threaded holes. In some cases it may be helpful to remove extra paint from the treads with a 1/4-20 tap.

1. Screw the set screws down until the top of the screw is about the thickness of the tile below the top surface.
2. Place the proper tile in the opening.
3. Observe the level of the tile. If the level of the tile is not satisfactory, remove the tile by pressing down on one of the corners and adjust set screws accordingly.



Connecting the Optional Thermostat

If the optional thermostat is used, it must be plugged into the TH terminals located on the valve.



Thermostat

When installing a millivolt control system, use only a special low resistance thermostat. **DO NOT USE A REGULAR HEATING THERMOSTAT.**

Be sure that all electrical connections are clean, free from corrosion, and tight. Inspect connections periodically to confirm that no corrosion has built up over time.

When properly installed and maintained, a millivolt control system should give many years of trouble-free service.

It is important to use wire of a gauge proper for the length of the wire:

RECOMMENDED WIRE GAUGES

<i>Maximum Length</i>	<i>Wire Gauge</i>
100'	14
60'	16
40'	18
25'	20
15'	22

Remote Control Kit

The button on the remote control can be used to turn the fire on and off.

This remote uses the ultrasonic control method and does not need to be pointed directly at the fireplace.

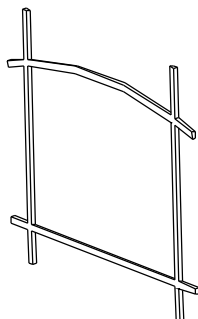
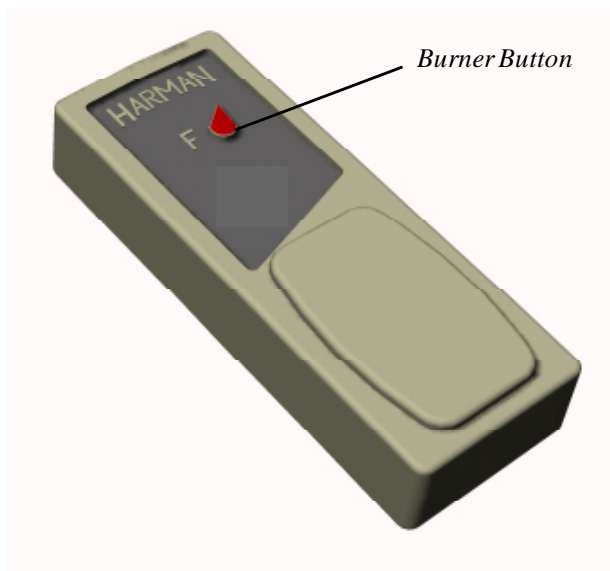
The kit includes installation instructions, a hand held sending unit, receiving unit, mounting bracket, and all wiring.

Note: The ON/OFF switch must be "OFF" when using the remote. If the switch is in the "ON" position, the fire will stay on even when the set temperature on the thermostat is reached.

Glass Grill

To install the glass grill remove the door and slide the top of the vertical bars up into the slots at the top of the firebox opening. Lower the grill down so the bottom of the vertical bars rest just inside the lip at the bottom of the firebox opening.

Reinstall door.



Glass Grill

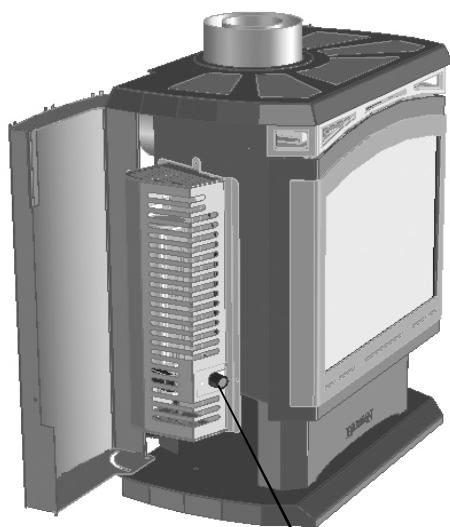
Optional Blower

The Blower Kit (Part # 1-00-09102) includes a blower assembly ready to bolt to the left side of the stove and a blower chamber cover.

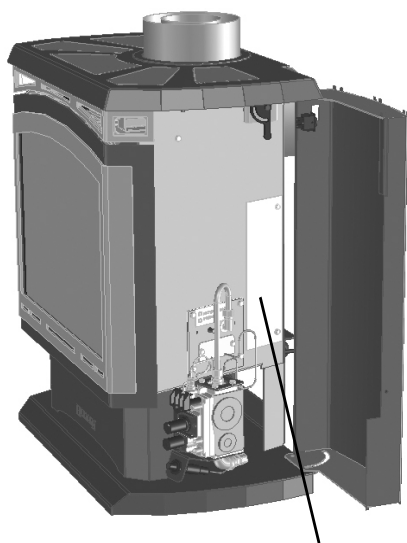
The blower has a variable speed control knob to adjust the blower speed as desired. A special switch is used to automatically start the blower when the stove temperature is hot enough to blow warm air. This switch will also stop the blower when the stove temperature drops below the point that warm air is available.



Blower Assembly



Speed Control Knob



Blower Chamber Cover

Installation

1. Open the left side panel.
2. Remove the four screws from the left side of the firebox with a $\frac{5}{16}$ " socket.
3. Place the blower as shown and start the top screw. This will hold the blower in place and make it easier to install the other three screws.
4. Route the power cord rearward between the side panel and the pedestal and plug into a 120 volt outlet.
5. Open the right side panel and remove the two screws on the right side of the firebox.
6. Use the two screws to fasten the blower chamber cover plate to the firebox. This plate prevents air from the blower escaping from the air chamber.
7. Close side panels.

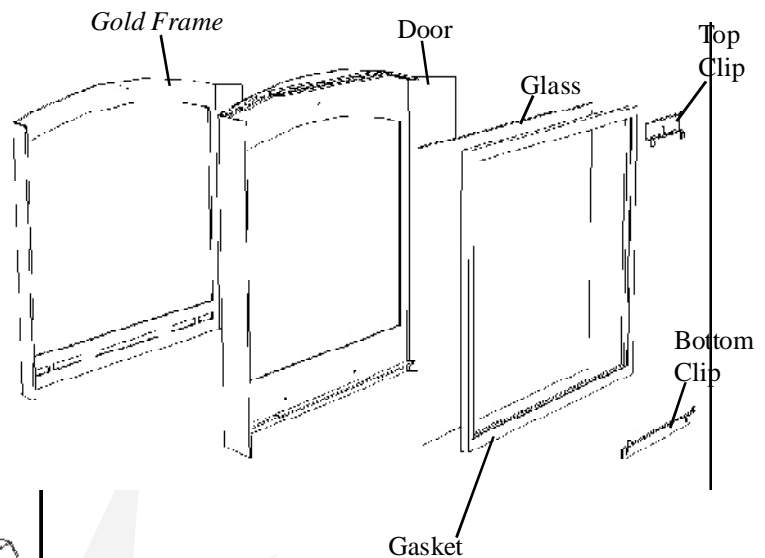
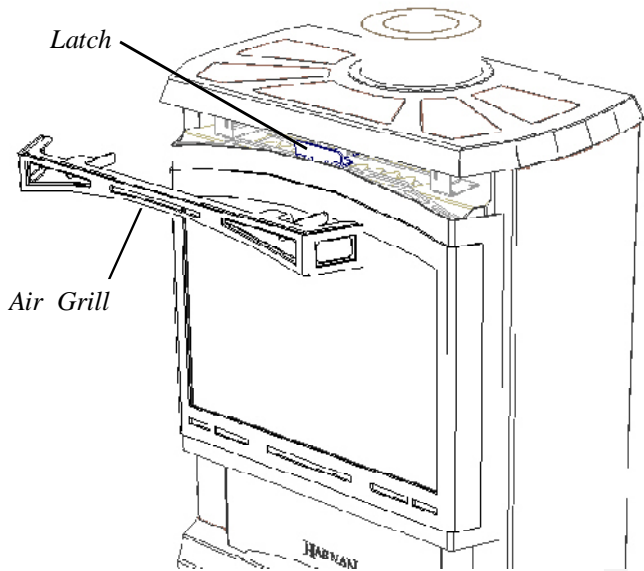
Operation

Turn the speed control knob clockwise until it clicks. This is the full speed position. Turning the knob farther in the clockwise direction will gradually reduce the blower speed. To turn the blower "OFF" turn the knob counterclockwise until it clicks.

This blower is equipped with a three-prong (grounding) plug for protection against shock hazard and should be plugged directly into a properly grounded three-prong receptacle. Do not cut or remove the grounding prong from the plug.

A qualified service person should conduct an annual inspection and maintenance of your Conquest, its venting, and the installation to keep it running safely and efficiently. The following procedures should be performed only by a qualified service person. The gas supply should be turned off whenever a maintenance procedure is performed.

If the glass door or side doors are removed for servicing, they must be replaced prior to operating the stove.



DO NOT STRIKE OR SLAM GLASS

Replacing the Gasket

The Conquest uses part no. 3-44-00539 fiberglass gasket in the front door. Should it ever need replacement, use only the proper replacement gasket that is available from your Harman dealer. Replace the gasket as follows:

1. Lay glass door face down on a soft surface that will not scratch the glass.
2. Remove the nuts holding the top and bottom glass clip in place.
3. Remove glass from door and remove old gasket.
4. Install new gasket around glass.
5. Place glass back in door.
6. Reinstall glass clips and tighten the nuts.
7. Reinstall glass door by placing the slots on the bottom of the door over the hooks on the bottom of the door opening. Next, lift the latch and push the door against the unit. Pull the spring loaded latch front until the tab drops into the slot on the door frame.
8. Reinstall air grill.

CAUTION: Do not operate this appliance with the glass front removed, cracked, or broken. Replacement of glass should be done by a licensed or qualified service person. Never use substitute materials.

CAUTIONNER: N'opère l'appareil avec le verre enlevé, craqué ou cassé. Le remplacement du panneau(s) devrait être fait par une personne de service qualifié ou autorisé.

Removing the Glass Front

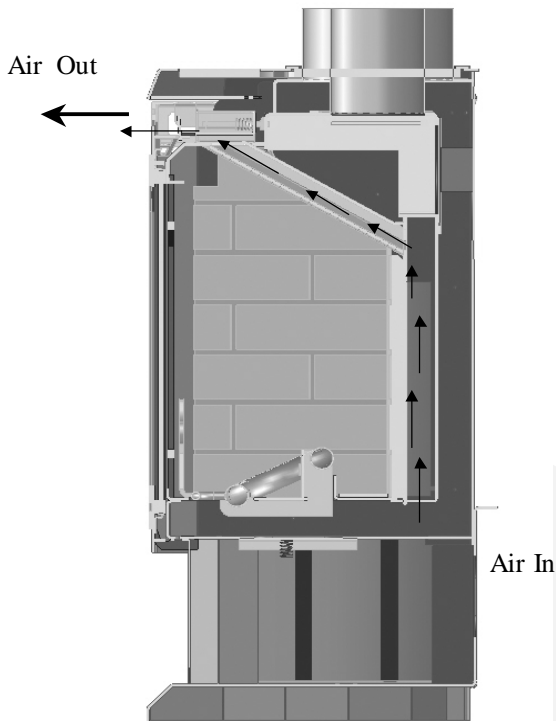
Remove the air grill by pulling forward.

Lift the latch shown above and tilt the glass door out at the top and lift off the hooks at the bottom. Handle the glass with care.

Cleaning the Glass

The glass may be cleaned with ordinary household glass cleaner and a soft cloth or paper towel.

WARNING: Never clean the glass when it is hot. Do not use abrasive cleaners on the glass.



The flow of combustion and ventilation air must not be obstructed.

The appliance should be inspected before use and at least annually by a qualified service person. More frequent cleaning may be required due to excessive lint from carpeting, bedding material, etc. It is imperative that control compartments, burners and circulating air passageways of the appliance be kept clean.

“If the vent/air intake system is disassembled for any reason, reinstall per the instructions provided for the initial installation.”

Inspecting the Venting

An inspection of both the inner and outer pipes of the venting system should be made during the annual service appointment. There must be no blockage and be in good repair. The vent manufacturer's instructions may provide specific suggestions or details on vent inspection. Any sections that are taken apart for the inspection must be reassembled and sealed as required.

Cleaning the Log Set and Firebox

During the annual inspection and maintenance appointment, the service person should clean dust, lint, and any light accumulation from the logs and the firebox area. An extra-soft brush should be used on the logs as they are extremely fragile; a vacuum cleaner may be used on the firebox. If at any time the logs cannot be removed or installed without forcing, the cause must be found. The logs must never be forced.

Air Flow

It is essential that the air flows freely into the blower and out of the top grill. Do not place objects in front of the grill.

Check blower annually for buildup caused by dust and pet hair.

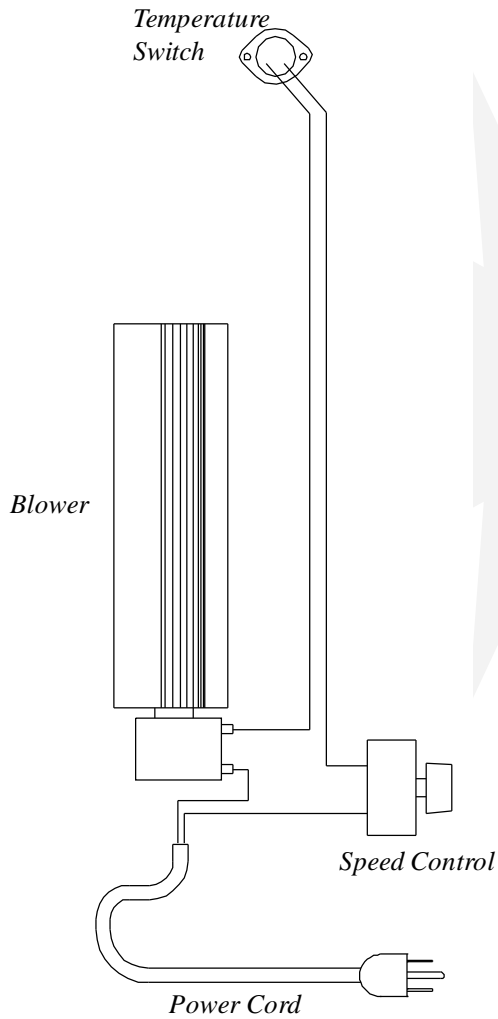
Cleaning the Burners

To clean the burners, you must remove the glass door, logs, and burner screen.

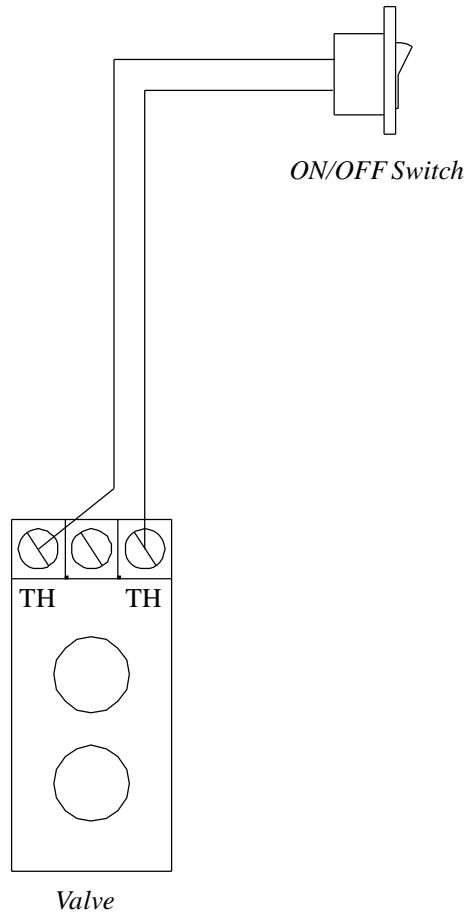
With these parts removed, inspect all the holes to make sure they are unobstructed. Use a small drill or wire to clean any obstructed holes. Remove any rust or other buildup that may have accumulated on the burner or screen.

Replace parts in reverse order.

Optional Blower Wiring Diagram (120 Volt)



Low Voltage Wiring Diagram



“Caution: Label all wires prior to disconnection when servicing controls. Wiring errors can cause improper and dangerous operation. Verify proper operation after servicing”.

Listed Direct Vent Gas Fireplace Heater
Radiateur Ventile

Model: Conquest 727

WHI #



Homologue Pour Le Canada

Do not remove or cover this label.

Not for use with solid fuel. Not for use with air filters

Ne doit pas être utilisé avec un combustible solide.

Also for use in mobile (manufactured) homes after home is sited.
 Tested to ANSI Z21.88-2002 / CSA2.33-M02. CAN-CGA-2.17-M91

For use with natural gas and propane. A conversion kit, as supplied by the manufacturer, shall be used to convert this room heater to the alternate fuel.

Pour utilisation, avec le gaz naturel et le propane. Une trousse de conversion fournie par le fabricant doit être utilisée pour passer d'un combustible à l'autre.

RATINGS		NATURAL	PROPANE
Input Rating (Btu/hr)(0-4500 ft.)(0-1375 m)		29000	29000
Min. Input Rating (Btu/hr)(0-4500 ft.)(0-1375 m)		14900	14100
Orifices (DMS)(0-4500 ft.)(0-1375 m)		37	53
Manifold Pressure (in w.c./kPa)		3.8/.95	11.0/2.75
Min. Manifold Pressure (in w.c./kPa)		1.1/.27	2.8/.7
Min. Inlet Pressure (in w.c./kPa)		5.0/1.25	11.5/2.87
Max. Output (Btu/hr)(0-4500 ft.)(0-1375 m) (Blower Off)		21375	21854

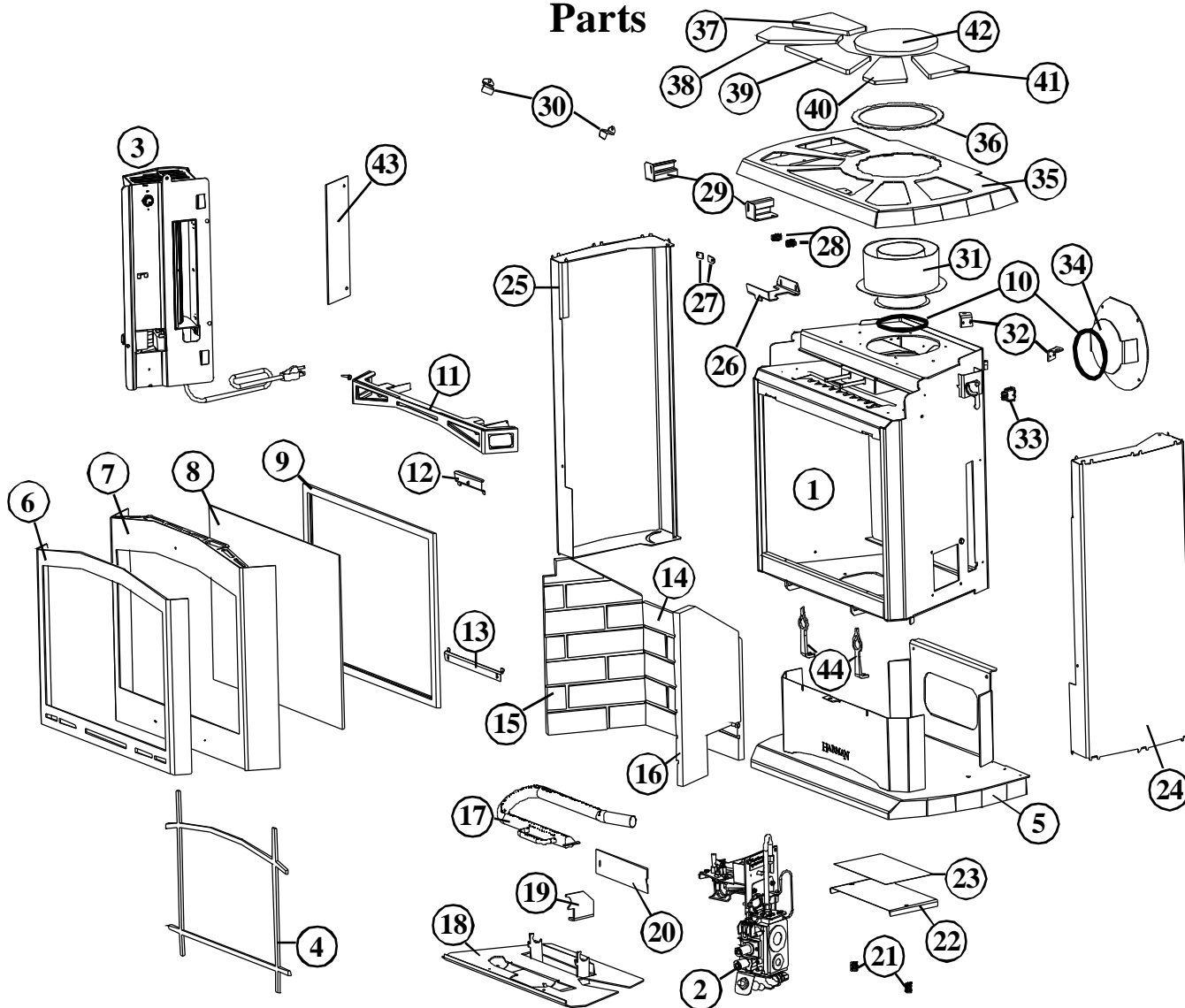
MINIMUM CLEARANCES FROM COMBUSTIBLE CONSTRUCTION

Unit to corner walls	2 in.
Unit to side wall	8 in.
Unit to back wall	3 in.
Unit to alcove ceiling	16 in.
Maximum alcove depth	16 in.
Electrical Rating:	120 Volts, 60 Hz, >.7 AMP

A LABEL ON THE BURNER SYSTEM MODULE STATES THE FUEL FOR WHICH THE HEATER IS EQUIPPED.

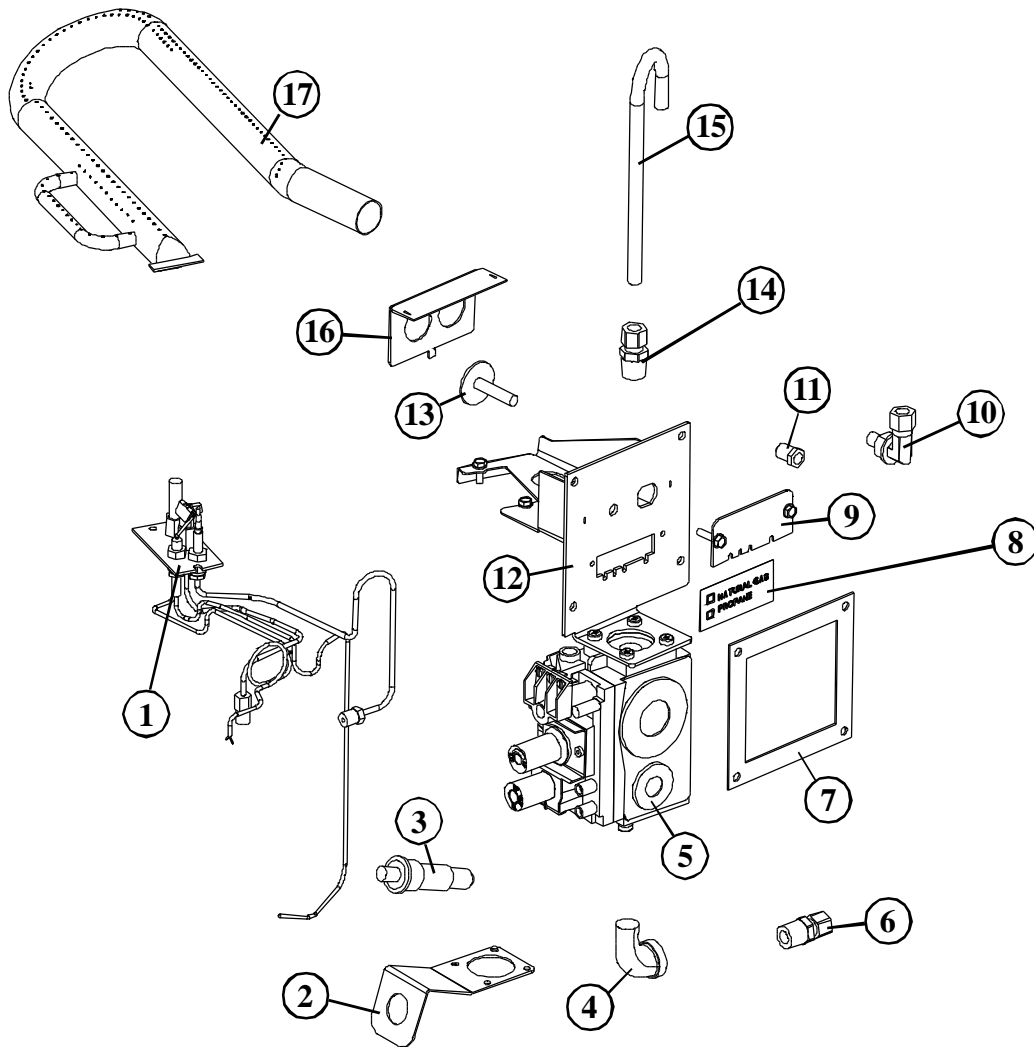
Manufactured by Harman Stove Company
 352 Mountain House Road, Halifax, PA 17032

Parts

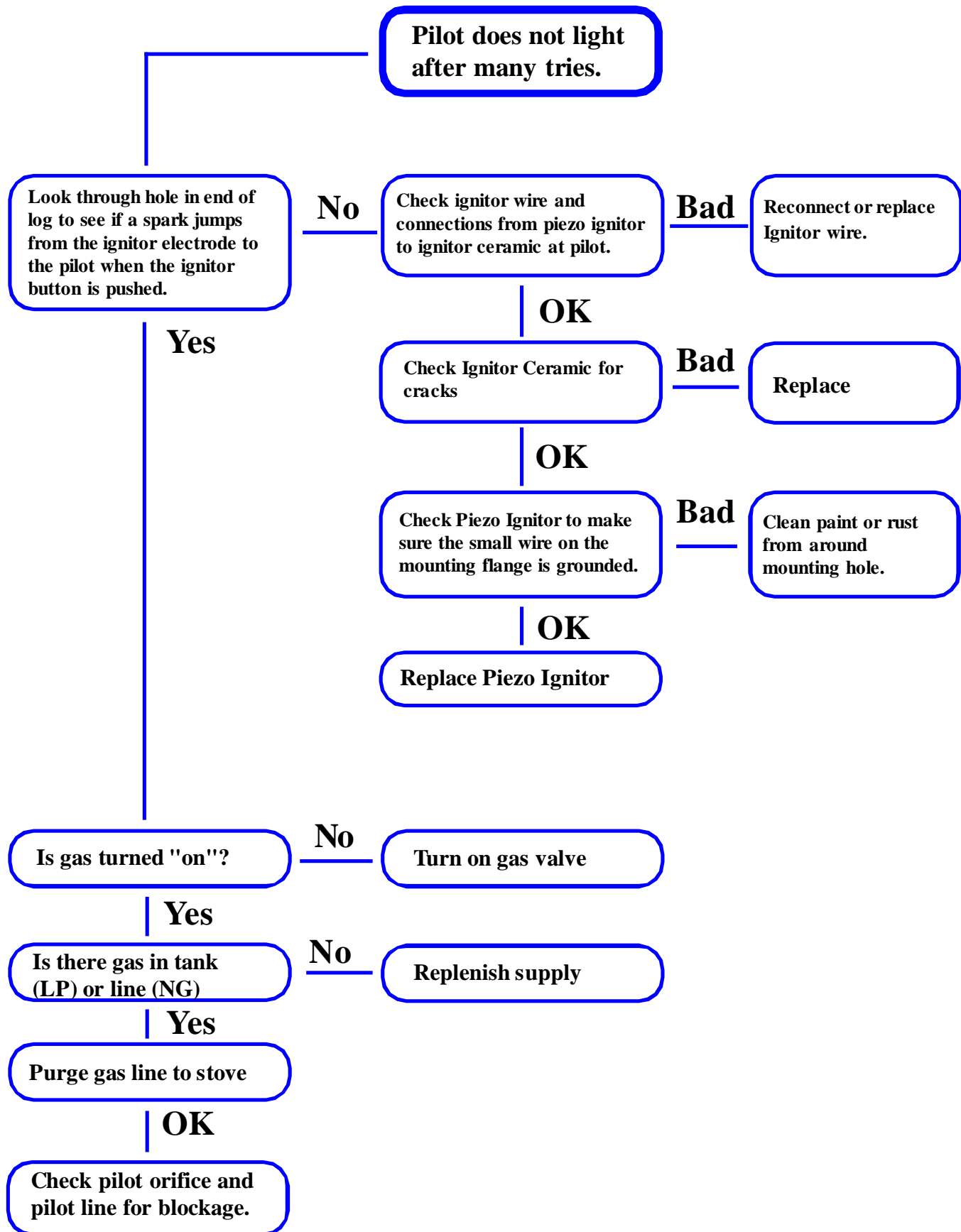


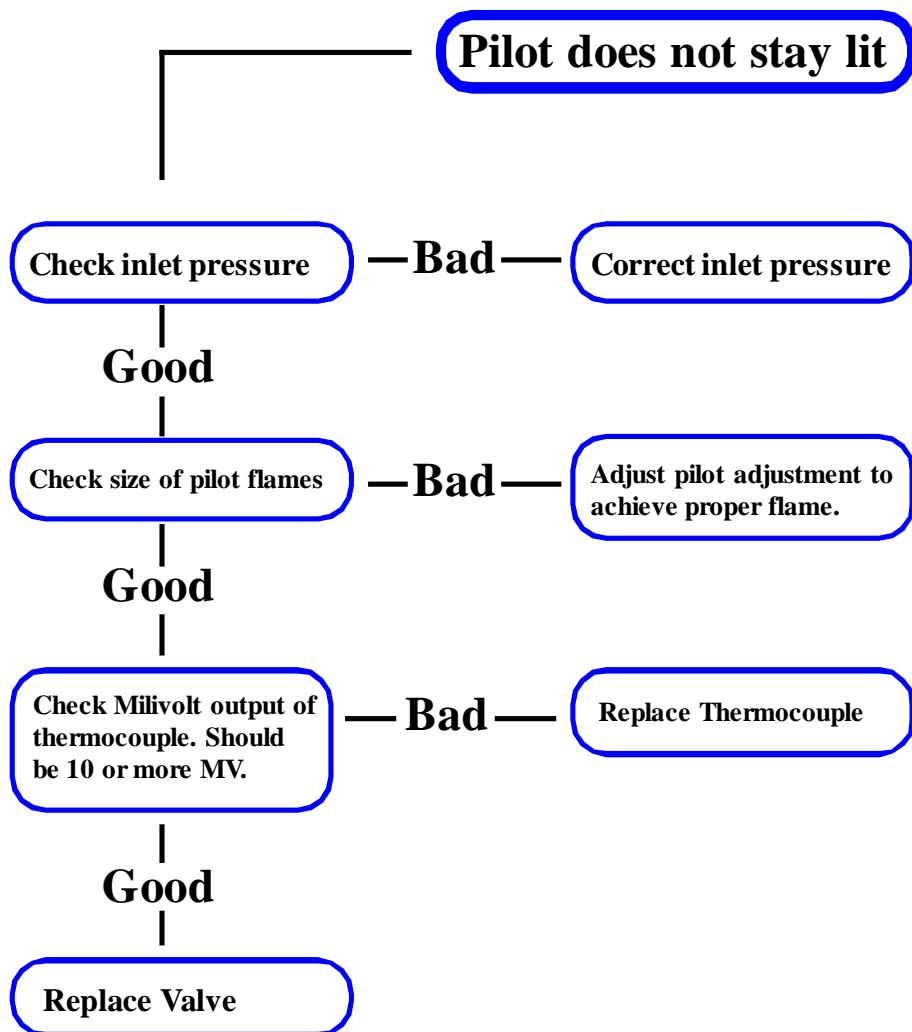
- | | | | |
|----------------|------------------------|--------------------|-----------------------------|
| 1) 1-89-09100 | Body weldment | 24) 1-10-73130 | Right side panel |
| 2) 1-10-09100 | LP valve assembly | 25) 1-10-73129 | Left side panel |
| 3) 1-00-09102 | Optional blower | 26) 2-00-73147 | Spring clamp |
| 4) 1-00-09105 | Optional window grid | 27) 2-00-73148 | Spring clips |
| 5) 1-10-73102 | Pedestal weldment | 28) 3-31-03291 | Door springs |
| 6) 3-43-09100 | Gold door frame | 29) 2-00-73143-1/2 | Left & right grill brackets |
| 7) 1-10-09108 | Door weldment | 30) 2-00-73185 | Brick clips |
| 8) 3-40-09102 | Door glass | 31) 3-40-3849239 | Flue collar |
| 9) 3-44-00539 | Glass gasket (7"/unit) | 32) 2-00-73156 | Top brackets |
| 10) 3-44-08294 | Flue gaskets | 33) 3-20-08220 | On/off switch |
| 11) 3-43-09110 | Gold grill | 34) 1-10-73149 | Flue cover weldment |
| 12) 2-00-73137 | Top glass clip | 35) 1-10-73152W | Top weldment |
| 13) 2-00-73138 | Bottom glass clip | 36) 2-00-73168 | Flue ring |
| 14) 3-40-09107 | Rear brick panel | 37) 3-43-09101-FL | Far left tile |
| 15) 3-40-09108 | Left brick panel | 38) 3-43-09101-ML | Middle left tile |
| 16) 3-40-09109 | Right brick panel | 39) 3-43-09101-C | Center tile |
| 17) 3-40-09105 | Burner tube | 40) 3-43-09101-MR | Middle right tile |
| 18) 1-10-73126 | Burner plate weldment | 41) 3-43-09101-FR | Far right tile |
| 19) 2-00-73127 | Burner clamp | 42) 3-43-09101-F | Flue tile |
| 20) 2-00-73141 | Air guide | 43) 2-00-73170 | Air jacket cover |
| 21) 3-31-00521 | Relief door springs | 44) 2-00-73154 | Andirons |
| 22) 2-00-73155 | Relief door | 45) 3-20-09100 | Wiring harness (not shown) |
| 23) 3-44-73133 | Relief door gasket | | |

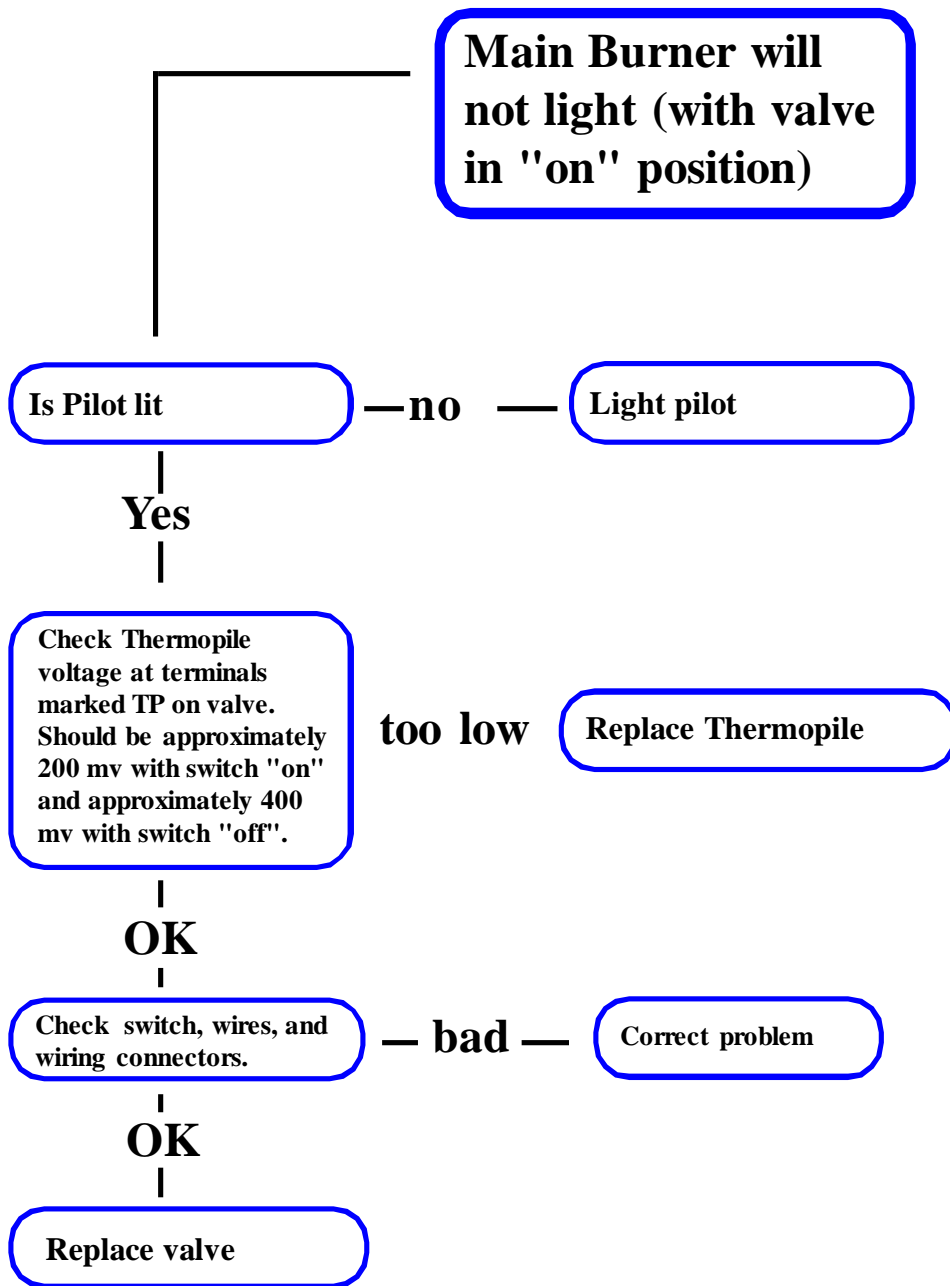
Burner Parts



- | | | | |
|---------------|------------------------|--------------------|----------------------|
| 1) 3-40-08715 | LP pilot | 10) 3-40-09210(A) | Hood (orifice) elbow |
| 2) 2-00-73122 | Igniter mount | 11) 3-40-09210(B) | #53 hood (orifice) |
| 3) 3-40-08220 | Igniter (piezo) | 12) 1-10-73121 | Valve body weldment |
| 4) 3-31-09100 | 90 degree street elbow | 13) 3-30-937161501 | 3/8" elevator bolt |
| 5) 3-40-09106 | 50% turn down LP valve | 14) 3-31-08284 | 3/8" fitting |
| 6) 3-31-08792 | 1/2" flare fitting | 15) 3-50-02000 | Aluminum 'J' tube |
| 7) 3-44-73174 | Valve gasket | 16) 2-00-73124 | Box top |
| 8) 3-90-4273 | Gas label | 17) 3-40-09105 | Burner tube |
| 9) 2-00-73125 | Sealer plate | | |







Optional Blower Label

○ A BLOWER KIT, PART NUMBER 1-00-09102, MANUFACTURED BY HARMAN STOVE COMPANY, MAY BE USED WITH THIS CONQUEST DIRECT VENT GAS

High altitude Conversion Label (Canada)

This appliance has been converted for use at an altitude of _____ Feet

	<input type="checkbox"/> Natural	<input type="checkbox"/> Propane
Orifice Size	37	54
Manifold Pressure	3.8 “ WC	11” WC
Input (Btu/h)	27,500	27,500

Converted By _____ **Date** ___/___/___

HARMAN GOLD WARRANTY
6 YEAR TRANSFERABLE LIMITED
WARRANTY (Residential)
1 YEAR LIMITED WARRANTY (Commercial)



Harman Stove Company warrants its products to be free from defects in material or workmanship, in normal use and service, for a period of 6 years from the date of sales invoice and for mechanical and electrical failures, in normal use and service, for a period of 3 years from the date of sales invoice.

If defective in material or workmanship, during the warranty period, Harman Stove Company will, at its option, repair or replace the product as described below.

The warranty above constitutes the entire warranty with respect to Harman Stove Company products. HARMAN STOVE COMPANY MAKES NO OTHER WARRANTY, EXPRESSED OR IMPLIED, INCLUDING "ANY" WARRANTY OF MERCHANTABILITY, OR WARRANTY OF FITNESS FOR A PARTICULAR PURPOSE. No employee, agent, dealer, or other person is authorized to give any warranty on behalf of Harman Stove Company. This warranty does not apply if the product has been altered in any way after leaving the factory. Harman Stove Company and its agents assume no liability for "resultant damages of any kind" arising from the use of its products. In addition, the manufacturer and its warranty administrator shall be held free and harmless from liability from damage to property related to the operation, proper or improper, of the equipment.

THERE ARE NO WARRANTIES WHICH EXTEND BEYOND THE DESCRIPTION ON THE FACE HEREOF.

THESE WARRANTIES APPLY only if the device is installed and operated as recommended in the user's manual.

THESE WARRANTIES WILL NOT APPLY if abuse, accident, improper installation, negligence, or use beyond rated capacity causes damage.

HOW TO MAKE A CLAIM - Any claim under this warranty should be made to the dealer from whom this appliance was purchased. Then contact is made with manufacturer, giving the model and serial numbers, the date of purchase, your dealer's name and address, plus a simple explanation of the nature of the defect. Extra costs such as mileage and overtime are not covered. Nuisance calls are not covered by these warranties.

THIS WARRANTY IS LIMITED TO DEFECTIVE PARTS - REPAIR AND/OR REPLACEMENT AT HARMAN STOVE COMPANY'S OPTION AND EXCLUDES ANY INCIDENTAL AND CONSEQUENTIAL DAMAGES CONNECTED THEREWITH.

WARRANTY EXCLUSIONS: Failure due, but not limited to, fire, lightning, acts of God, power failures and/or surges, rust, corrosion and venting problems are not covered. Damage and/or repairs including but not limited to; remote controls, filters, fuses, knobs, glass, ceramic brick panels, ceramic fiber afterburners, door packing, tile, ceramic log sets, paint, batteries or battery back-up and related duct work are not covered. Also excluded from this warranty are consumable or normal wear items including but not limited to; flame guides, grates, coal bars, afterburner hoods, fire brick, gaskets. Additional exclusions for corn stoves are burnpot housing weldment, burnpot grate weldment (pellet or corn), burnpot front plate (pellet or corn), burnpot front plate lock, corn auger extension, ceramic insert, and ceramic insert plate. Additional or unusual utility bills incurred due to any malfunction or defect in equipment and the labor cost of gaining access to or removal of a unit that requires special tools or equipment are not covered. Maintenance needed to keep the stove in "good operating condition" is not covered. This includes, but is not limited to, cleaning, adjustment of customer controls and customer education. Labor, materials, expenses and/or equipment needed to comply with law and/or regulations set forth by any governmental agencies are not covered.

This Warranty provides specific legal rights and the consumer may have other rights that vary from state to state.

In the event of change in ownership, the remaining portion of this warranty may be transferred to the new owner by sending the new owner information and a transfer fee of \$25.00 US to the Harman Stove Company.

PLEASE READ THE LITERATURE BY THE MANUFACTURER FOR THE VARIOUS ACCESSORY DEVICES. THE MANUFACTURER WARRANTS THESE ACCESSORY DEVICES, NOT HARMAN STOVE COMPANY OR THEIR WARRANTY ADMINISTRATOR. FURTHERMORE, THESE ACCESSORY DEVICES MUST BE INSTALLED AND USED ACCORDING TO THE RECOMMENDATIONS OF THE MANUFACTURER.

REMEDIES - The remedies set forth herein are exclusive and the liability of seller with respect to any contract or sale or anything done in connection therewith, whether in Contract, in tort, under any warranty, or otherwise, shall not, except as herein expressly provided, exceed the price of the equipment or part of which such liability is based.

CLARIFY - The above represents the complete warranty, which is given in connection with stoves, manufactured by Harman Stove Company. No other commitments, verbal or otherwise, shall apply except by a written addendum to this warranty.

Free Manuals Download Website

<http://myh66.com>

<http://usermanuals.us>

<http://www.somanuals.com>

<http://www.4manuals.cc>

<http://www.manual-lib.com>

<http://www.404manual.com>

<http://www.luxmanual.com>

<http://aubethermostatmanual.com>

Golf course search by state

<http://golfingnear.com>

Email search by domain

<http://emailbydomain.com>

Auto manuals search

<http://auto.somanuals.com>

TV manuals search

<http://tv.somanuals.com>