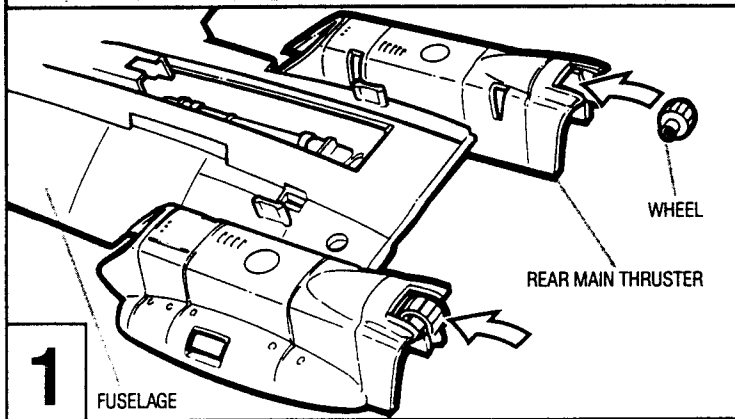
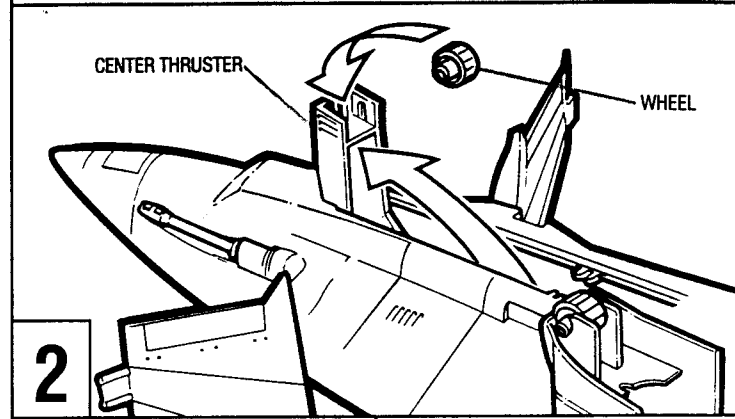


Contains: Fuselage with VTOL mechanism, rear stabilizer fin, right & left wing halves, left & right upper main thruster halves, canopy, 2 exhaust nozzles, fuselage access panel, 3 wheels, 10 missiles, spring action missile launcher, "VAPOR"™ figure, G.I. Joe folder, label sheet and blueprints.

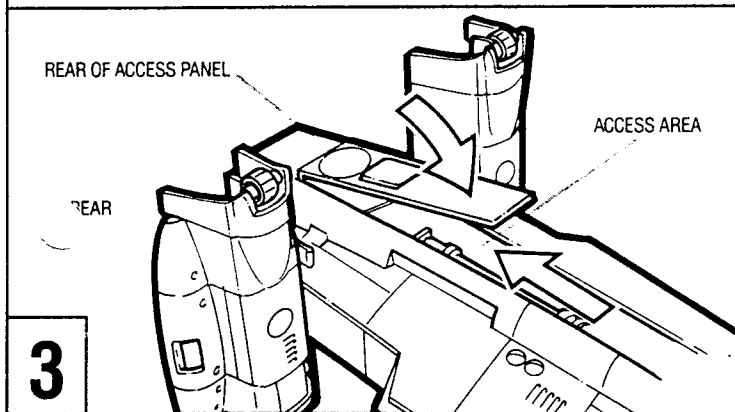
### WHEEL INSTALLATION



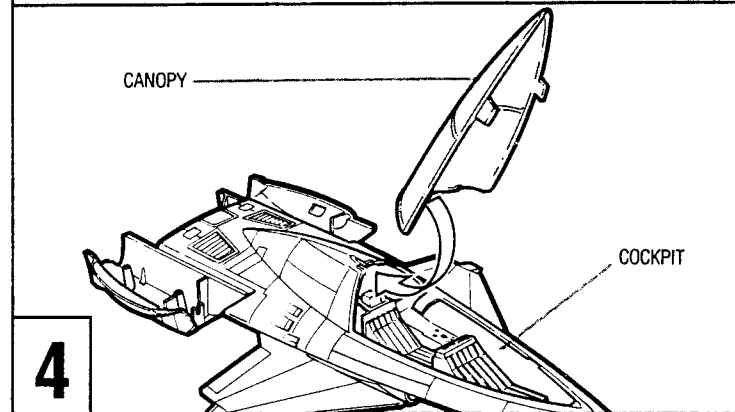
### ACCESS PANEL WHEEL INSTALLATION



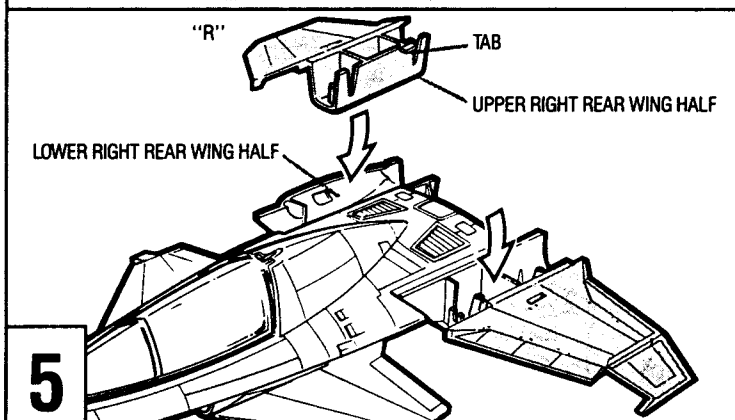
### ACCESS PANEL INSTALLATION



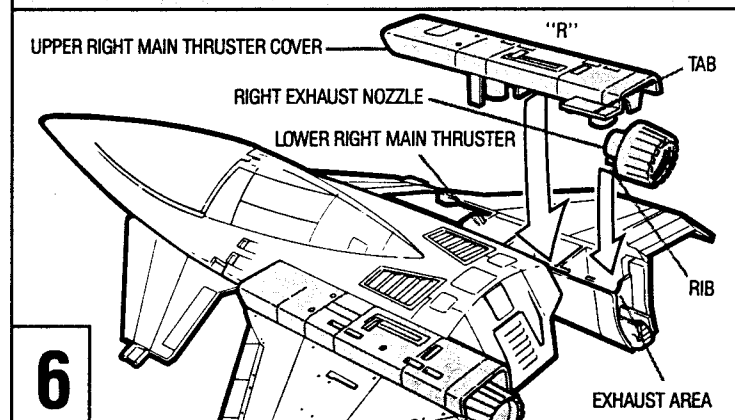
### CANOPY INSTALLATION



### WING ASSEMBLY

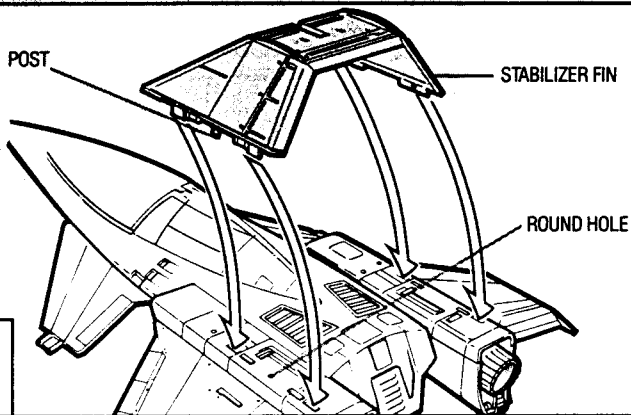


### MAIN THRUSTERS ASSEMBLY



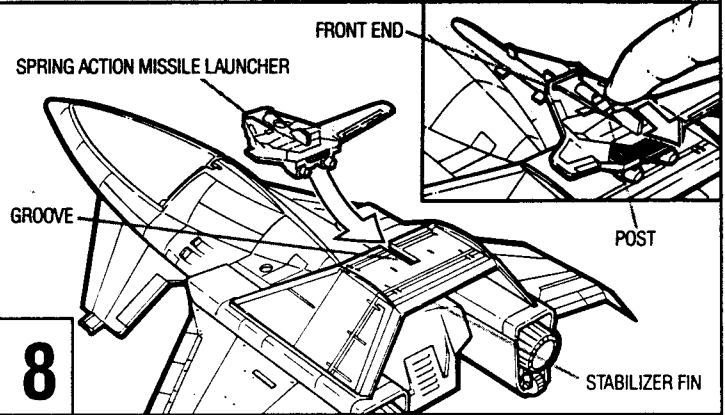
- 1 Turn fuselage upside down. Snap wheels into rear main thrusters as shown. (ILL. 1)
- 2 Flip center thruster upward and fit wheel into place. (Hurricane now in VTOL mode.) (ILL. 2)
- 3 Slide rear access panel into rear of access area as shown, then snap top of access panel into place. (ILL. 3)
- 4 Push center thruster downward and turn fuselage right side up. Snap canopy over cockpit. (Hurricane now in flight mode.) (ILL. 4)
- 5 Break off tab on right wing as shown, then align upper right rear wing half, labeled "R", with posts on lower right rear wing half on fuselage and snap into place as shown. Repeat for left rear wing. (ILL. 5)
- 6 Place ribbed portion of right exhaust nozzle into groove in exhaust rear in right main thruster lower half. Break off tab on right cover as shown, then snap upper right main thruster cover, labeled "R", onto lower right main thruster, trapping exhaust nozzle. Repeat process for left main thruster. (ILL. 6)

## STABILIZER FIN INSTALLATION



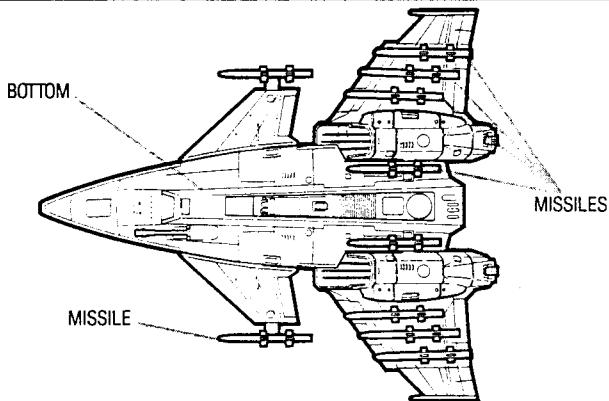
7

## SPRING ACTION MISSILE LAUNCHER INSTALLATION



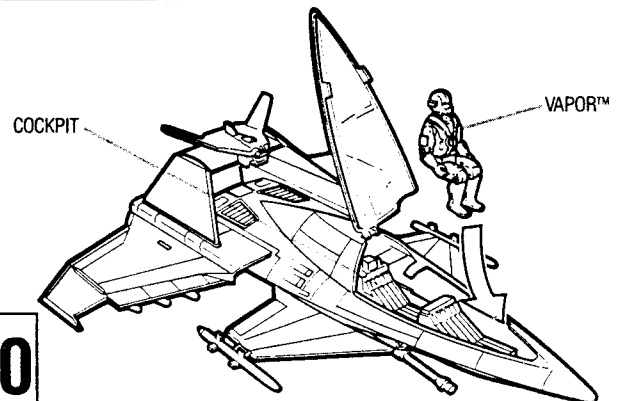
8

## MISSILE PLACEMENT



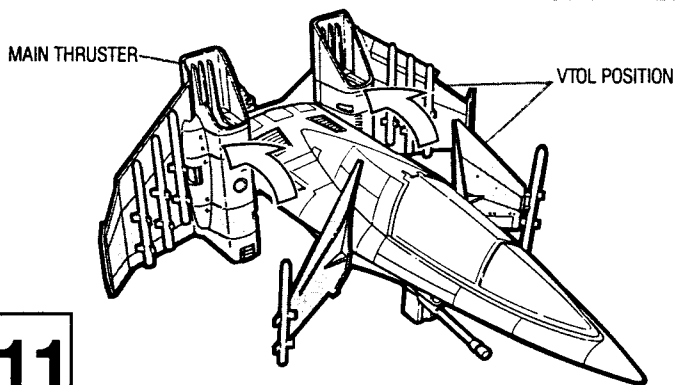
9

## FIGURE PLACEMENT



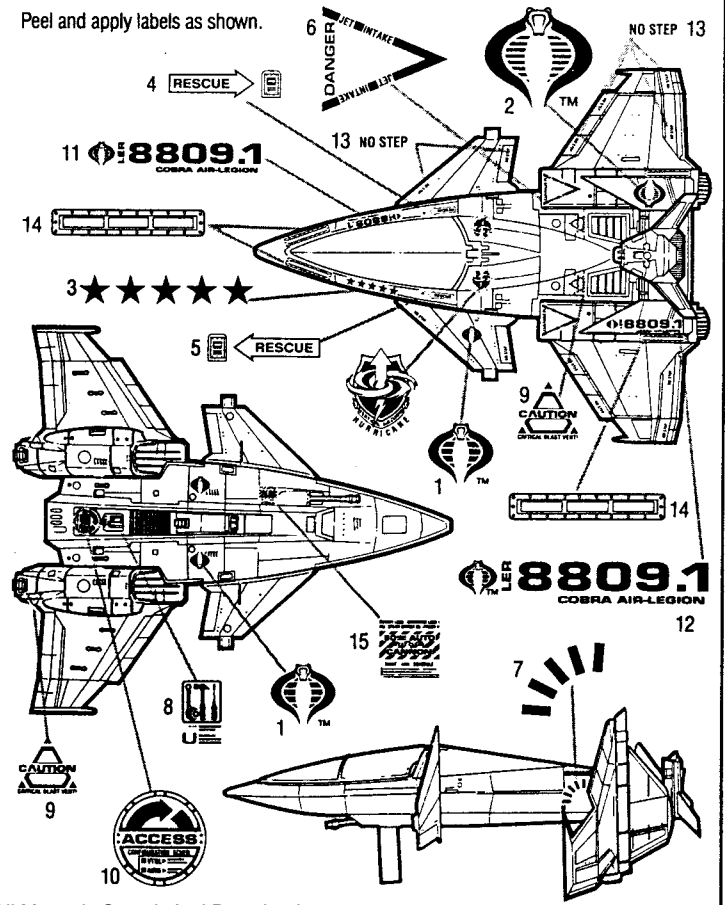
10

## VTOL ACTIVATION



11

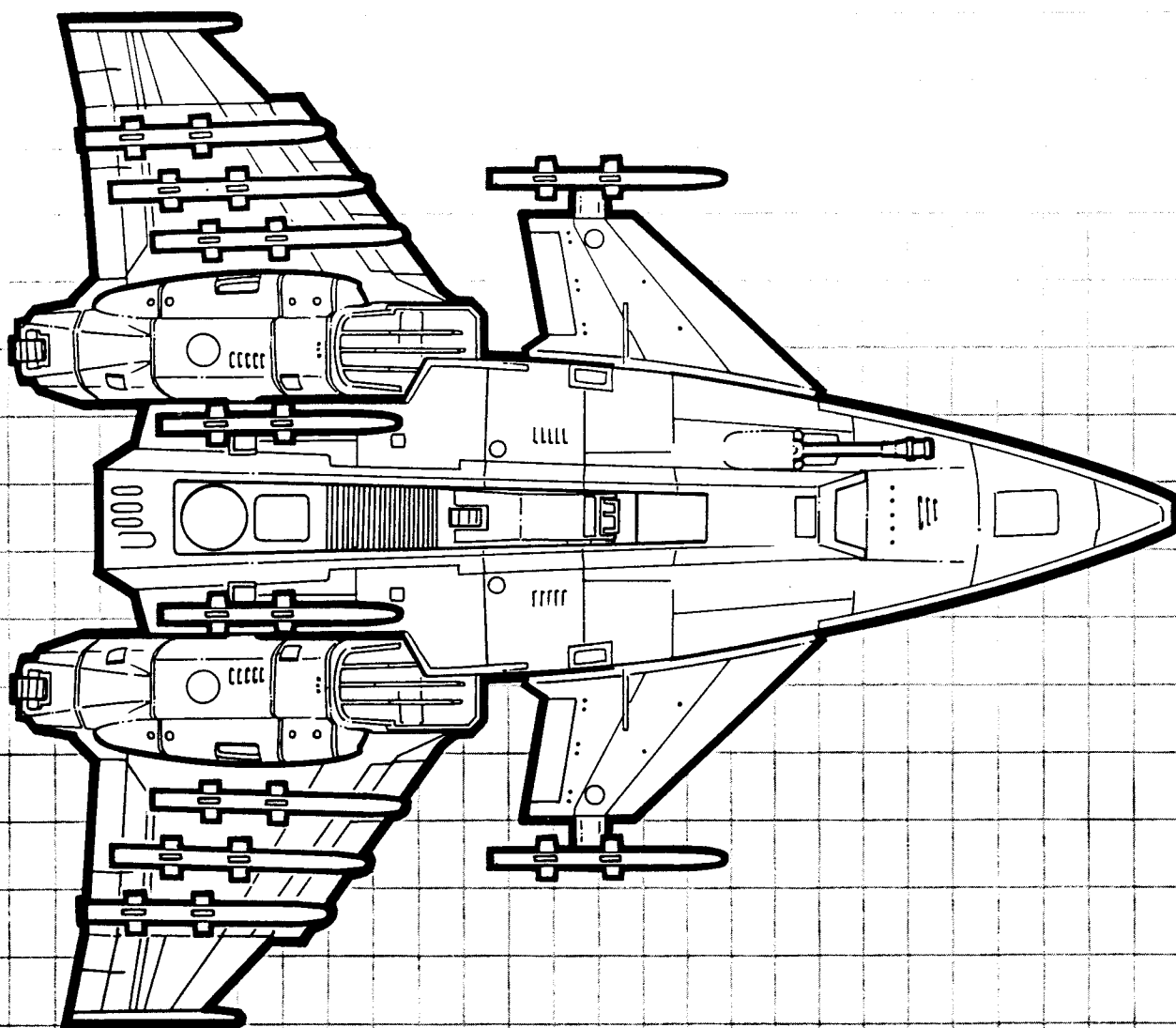
Peel and apply labels as shown.

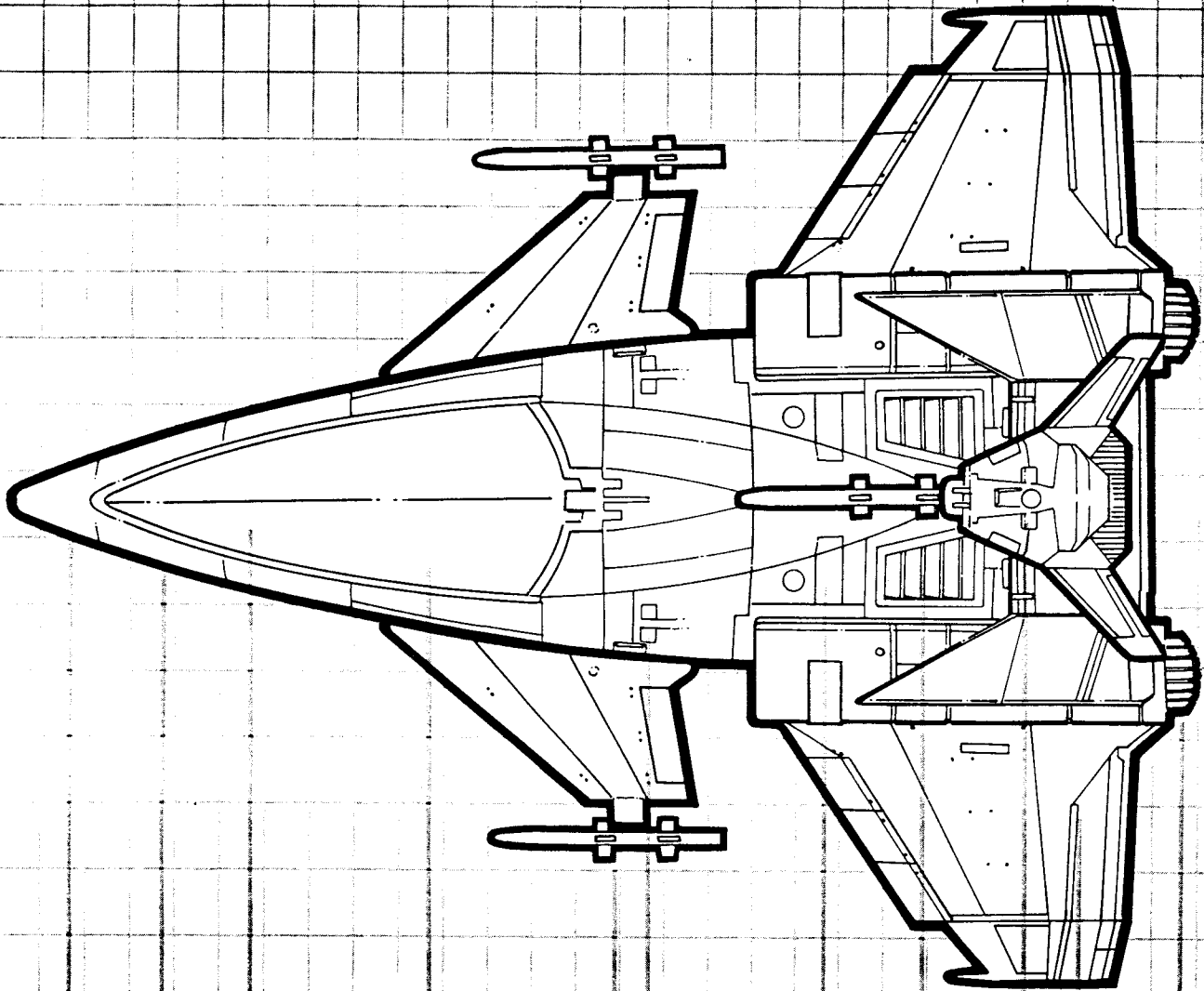


- 7 With post aligned with round hole in left main thruster, snap stabilizer fin into holes in both main thrusters as shown. (ILL. 7)
- 8 Slide spring action missile launcher into groove in stabilizer fin. To load a missile into launcher, slide missile into launcher front end until it clicks into place. To fire, pull back post on top of launcher and release. (ILL. 8)
- 9 Fit missiles onto tabs on fuselage and wings as shown. (ILL. 9)
- 10 Place VAPOR™ figure into cockpit as shown. (ILL. 10)
- 11 To activate Hurricane into VTOL position, rotate rear main thruster sections backward as shown. To return Hurricane to flight position, rotate rear main thruster sections forward. (ILL. 11)

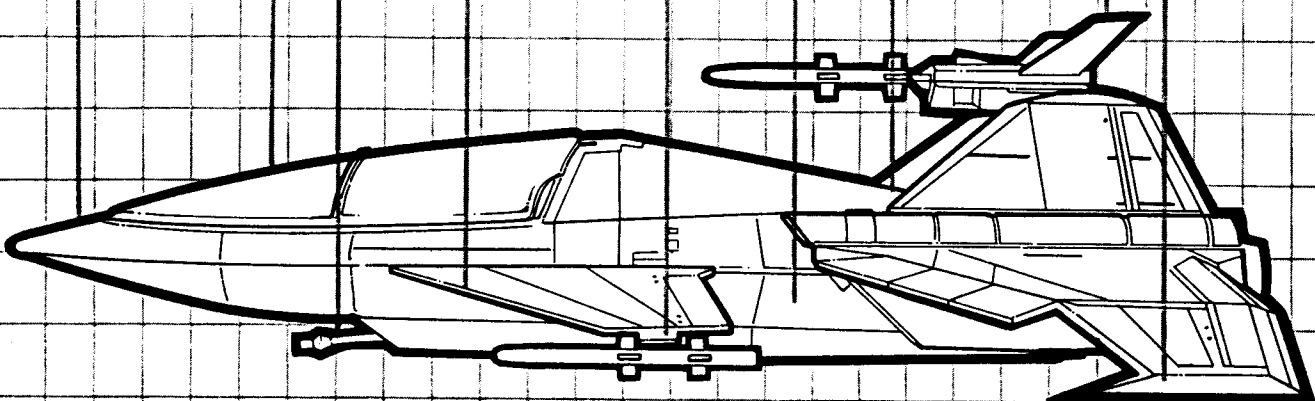
## **COBRA™ HURRICANE™**

- 1) **LASER-CONTROLLED, NO-FAULT COMMUNICATION NOSE CONE**
- 2) **FORWARD FUSELAGE, SUB-COCKPIT OPERATIONS BAY**
- 3) **AERODYNAMIC, SLEEKLY ANGLED, TINTED COCKPIT CANOPY**
- 4) **DUAL, FUSELAGE, UNDERSIDE, 75mm CANNONS**
- 5) **ADVANCED, LOW-SLANT, SIDE WING EMPLACEMENTS**
- 6) **EXTERNAL, AIR-TO-SURFACE ARMAMENTS STATION**
- 7) **WEAPONS MODULATION AND ACTIVATION CONTROL PANEL**
- 8) **SIDE COMPARTMENT ORDNANCE AND SUPPLY CENTER**
- 9) **HYDRAULIC FLUCTUATION ENGINE POD**
- 10) **PROGRAMMABLE AIR CIRCULATION VENTS FOR TEMPERATURE ADJUSTMENT**
- 11) **VTE-490 PILOTLESS FIGHTER/INTERCEPTOR ATTACK DRONE**
- 12) **MULTI-POSITIONABLE, LOW DRAG, INVERTED SWEEPED REAR WINGS**
- 13) **TWO, 20,000 LB. POWER PLANT EXHAUST THRUSTERS**





- (1) (2) (3) (4) (5) (6) (7) (8) (9) (10) (11) (12) (13)



## Free Manuals Download Website

<http://myh66.com>

<http://usermanuals.us>

<http://www.somanuals.com>

<http://www.4manuals.cc>

<http://www.manual-lib.com>

<http://www.404manual.com>

<http://www.luxmanual.com>

<http://aubethermostatmanual.com>

Golf course search by state

<http://golfingnear.com>

Email search by domain

<http://emailbydomain.com>

Auto manuals search

<http://auto.somanuals.com>

TV manuals search

<http://tv.somanuals.com>