

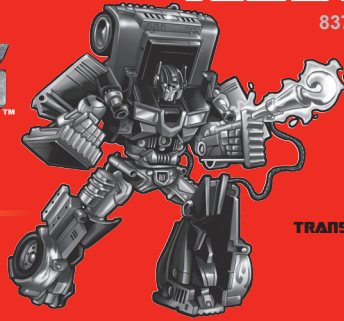
TRANSFORMERS™

AGES 4+

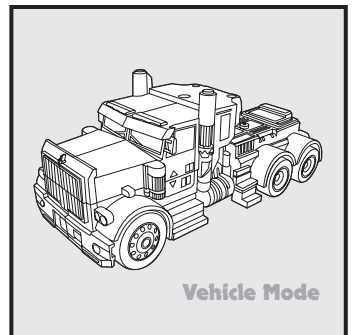
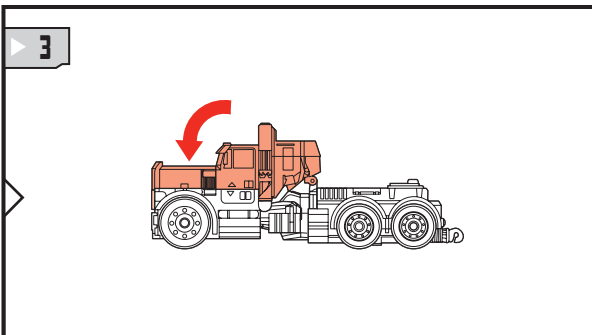
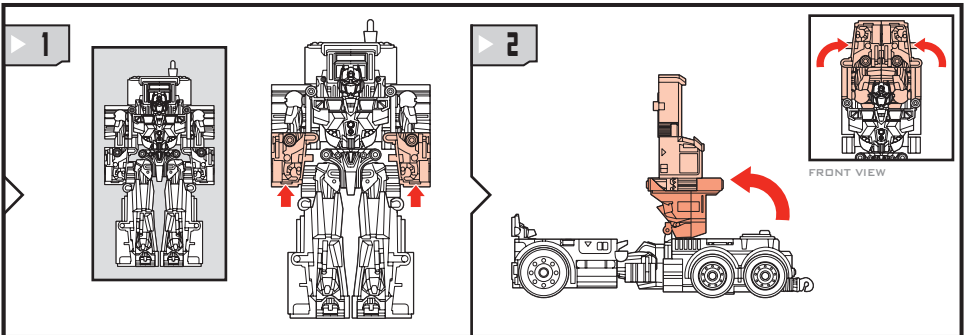
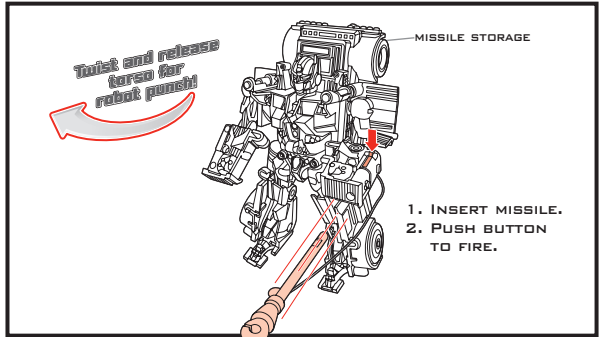
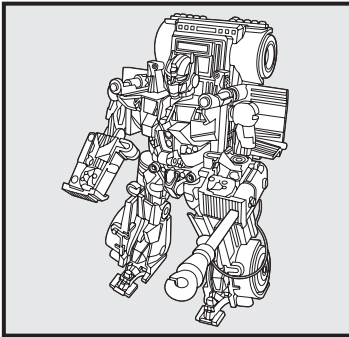
83758/82414 Asst.

Fire Blast OPTIMUS PRIME®

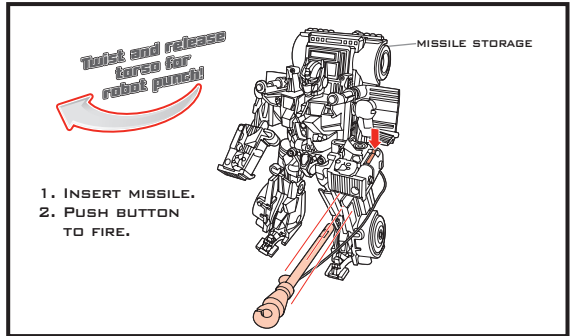
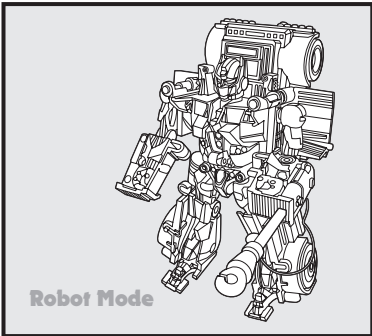
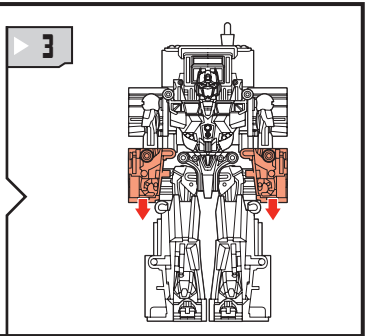
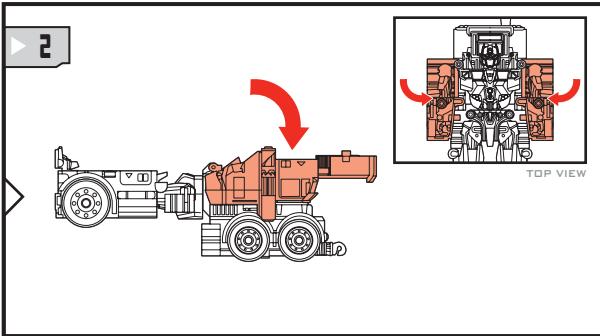
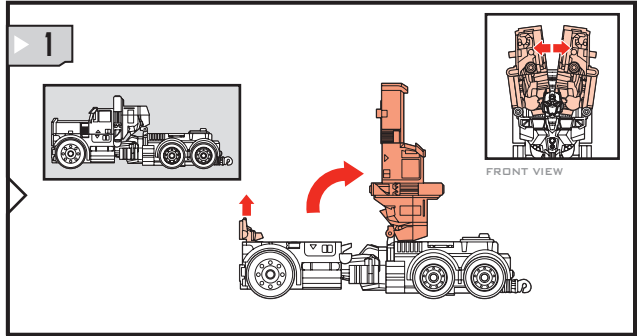
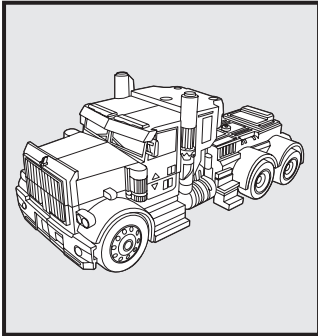
TRANSFORMERS.COM



CHANGING TO VEHICLE



CHANGING TO ROBOT



P/N 6757710000



Some poses may require hand support.

DREAMWORKS
PICTURES

TRANSFORMERS.COM

© 2007 DreamWorks LLC and Paramount Pictures Corporation
© 2007 Hasbro. All Rights Reserved.
TM & ® denote U.S. Trademarks.
Manufactured under license from Tomy Company, Ltd.



Not suitable for children under 3 years because of small parts – choking hazard.

Free Manuals Download Website

<http://myh66.com>

<http://usermanuals.us>

<http://www.somanuals.com>

<http://www.4manuals.cc>

<http://www.manual-lib.com>

<http://www.404manual.com>

<http://www.luxmanual.com>

<http://aubethermostatmanual.com>

Golf course search by state

<http://golfingnear.com>

Email search by domain

<http://emailbydomain.com>

Auto manuals search

<http://auto.somanuals.com>

TV manuals search

<http://tv.somanuals.com>