



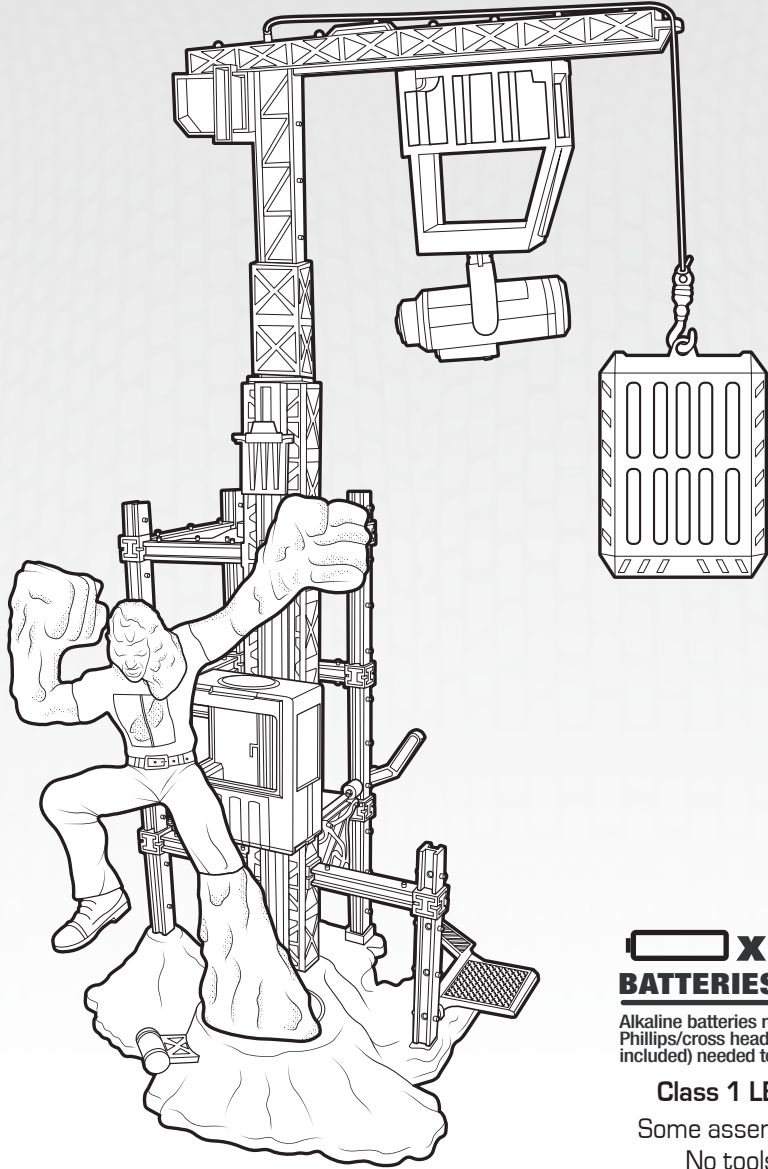
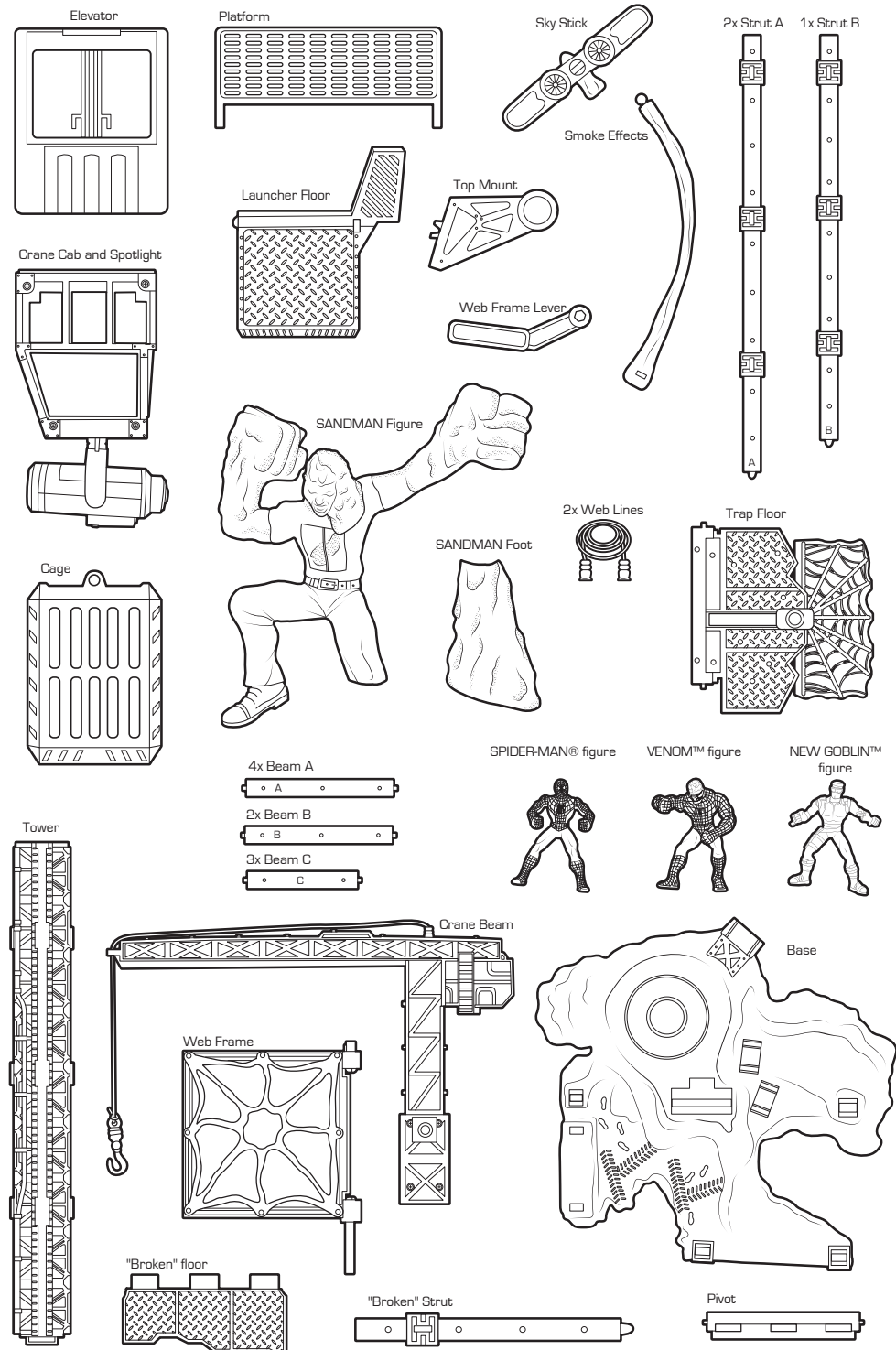
AGES 4+

69173

**WARNING:**  
CHOKING HAZARD-Small parts.  
Not for children under 3 years.

**FINAL BATTLE PLAYSET**

**Includes:**



**x2** 1.5V AAA/R03 size  
**NOT INCLUDED**  
**BATTERIES REQUIRED**

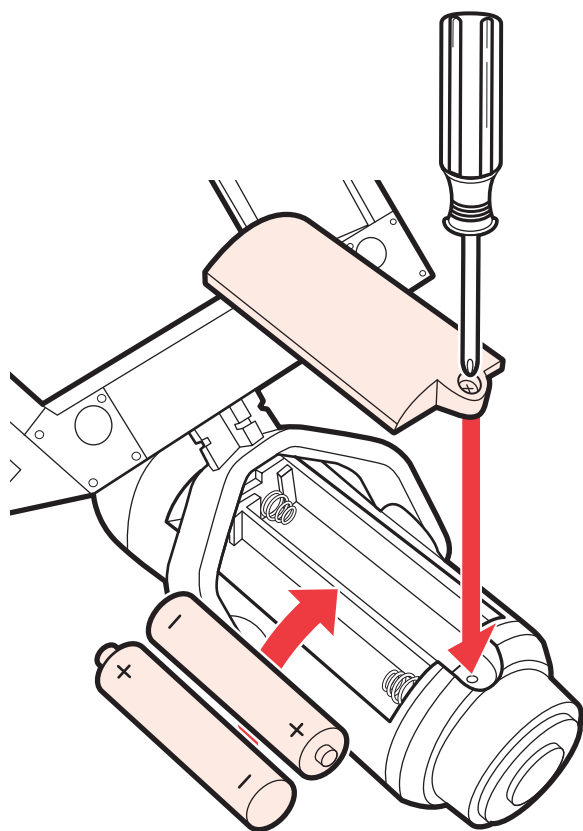
Alkaline batteries recommended.  
Phillips/cross head screwdriver (not included) needed to insert batteries.

**Class 1 LED product.**  
Some assembly required.  
No tools needed.



### To Insert Batteries in Spotlight:

Using a Phillips/cross head screwdriver (not included), loosen screw in battery compartment cover. Remove cover (screw will stay attached). Remove and discard batteries. Insert 2 x 1.5 "AAA" or R03 size batteries. Alkaline batteries recommended. Replace door and tighten screw with screwdriver. See diagrams for polarity.



2

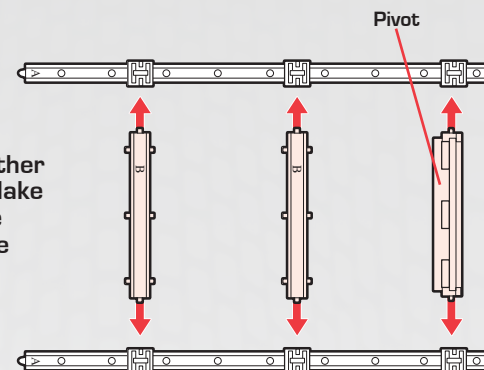
### Assembly:

1

Before beginning assembly, make certain you have all of the pieces listed in the "Includes" list on page 1.

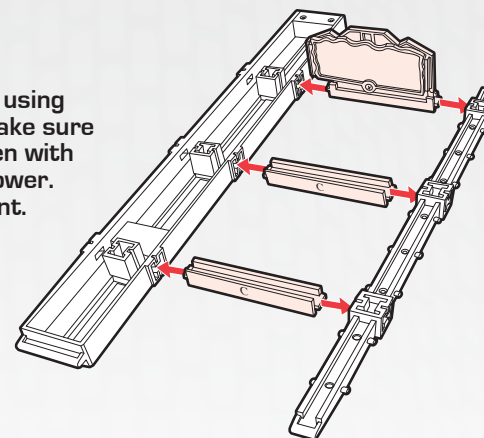
2

Connect Struts "A" to each other using "B" Beams and Pivot. Make sure holes on both Struts are facing the same direction. See image for Beam placement.



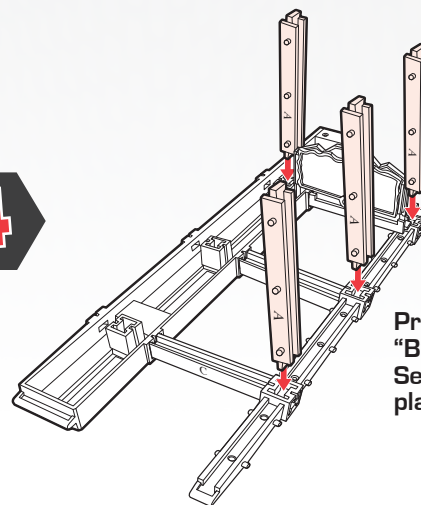
3

Connect Tower and Strut "B" using "C" Beams and Trap Floor. Make sure the bottom of the Strut is even with the non-rotating end of the Tower. See image for Beam placement.



4

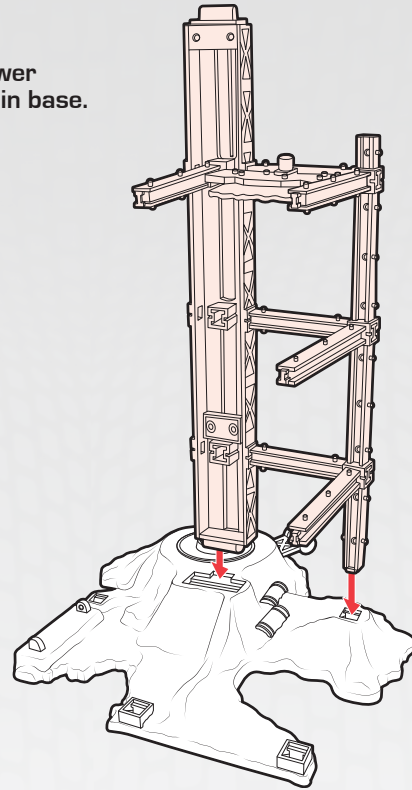
Press "A" Beams into "B" Strut and Tower. See image for Beam placement.



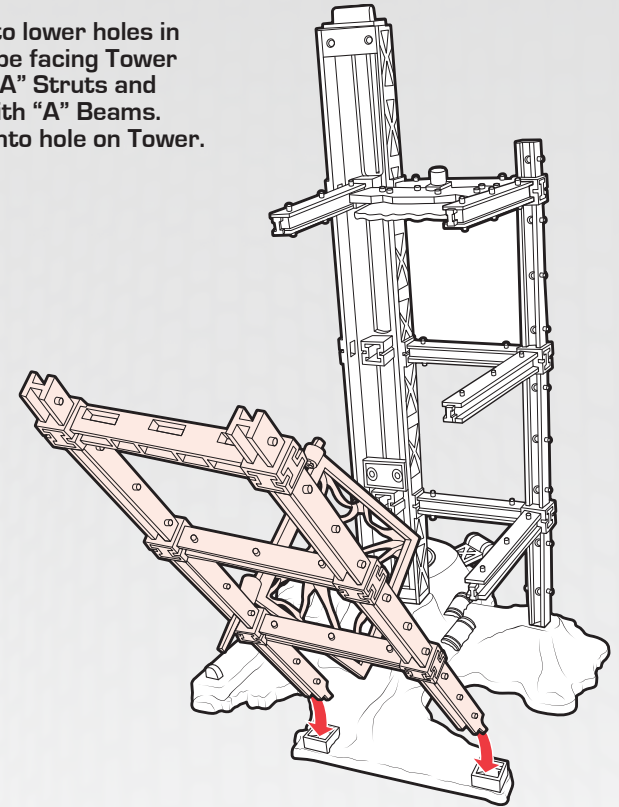
3

**5**

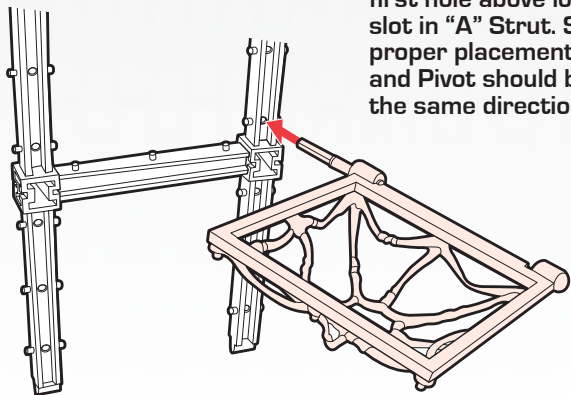
Attach "B" Strut and Tower assembly in upper holes in base.

**7**

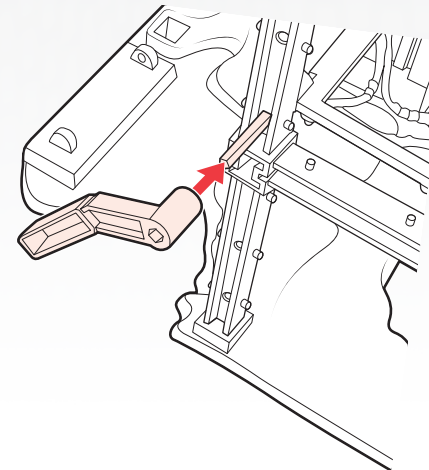
Attach "A" Struts to lower holes in base. Pivot should be facing Tower Assembly. Attach "A" Struts and Tower Assembly with "A" Beams. Snap Web Frame into hole on Tower.

**6**

Slide pivot of Web Frame into first hole above lowest I-shaped slot in "A" Strut. See image for proper placement. Web Frame and Pivot should both be facing the same direction.

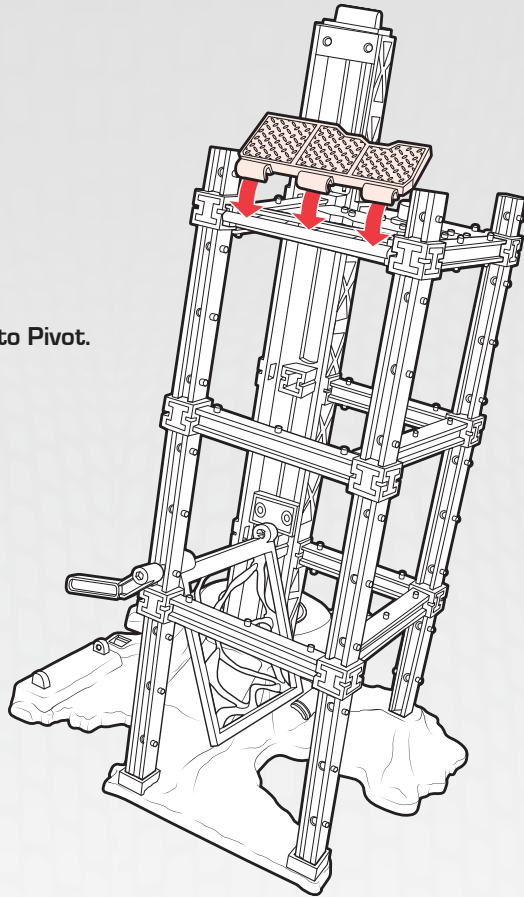
**8**

Slide Web Frame Lever over protruding pivot.

**4****5**

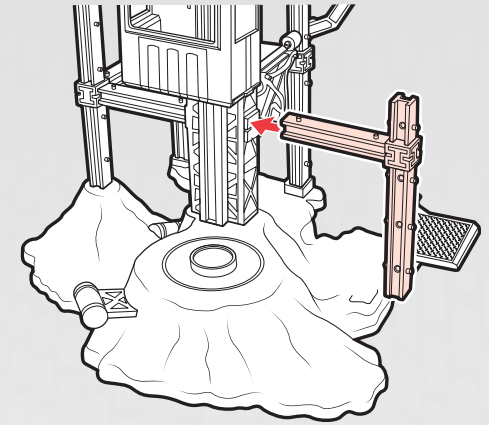
**9**

Attach "Broken" floor to Pivot.



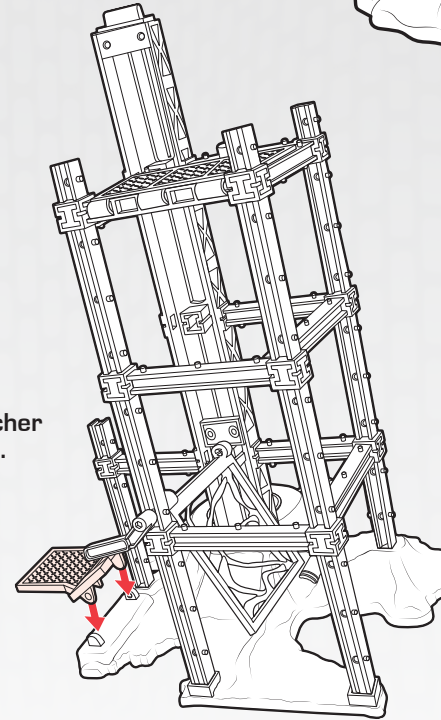
**11**

Snap "Broken" Strut into base, attaching it to Tower with "C" Beam.



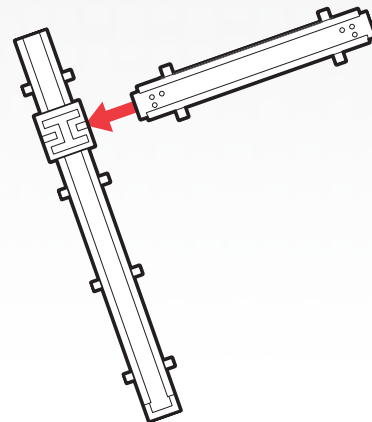
**12**

Attach Launcher Floor to base.



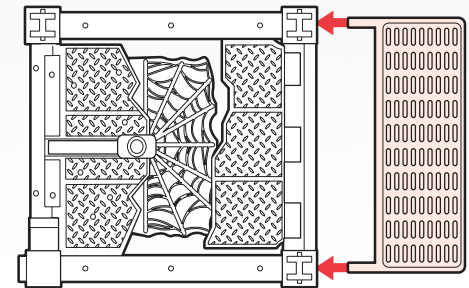
**10**

Mount "C" Beam on "Broken" Strut. See image for placement.



**13**

Attach Platform anywhere on "A" Struts.



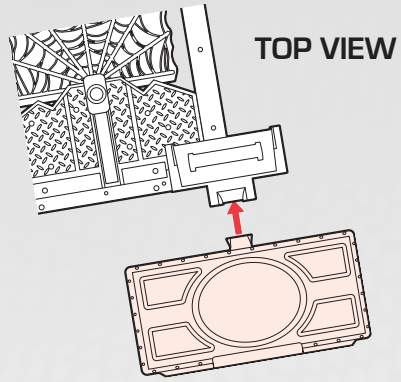
TOP VIEW

**6**

**7**

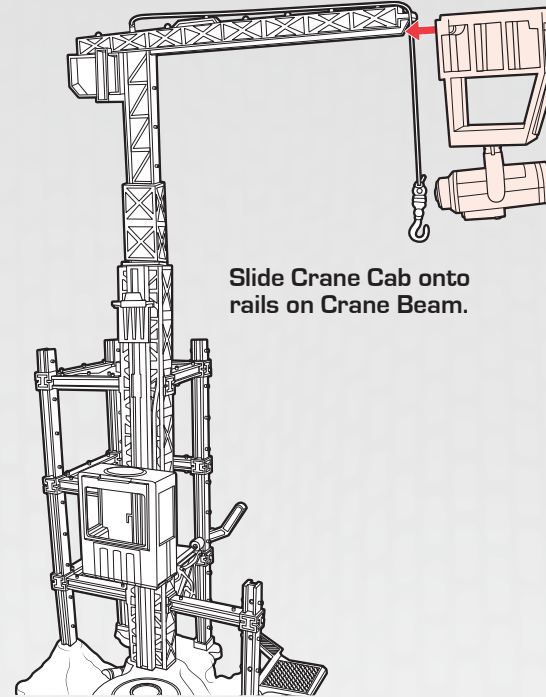
**14**

Turn set around. Slide Elevator onto rails on Tower.



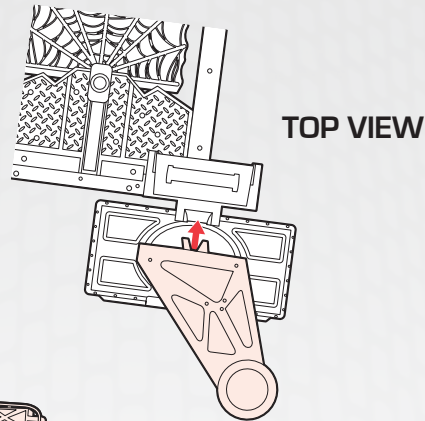
**17**

Slide Crane Cab onto rails on Crane Beam.



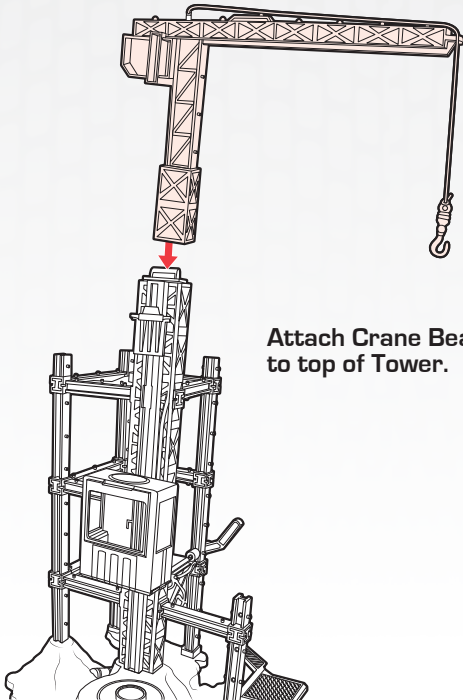
**15**

Slide Top Mount into rails on Tower. Push down until it stops.



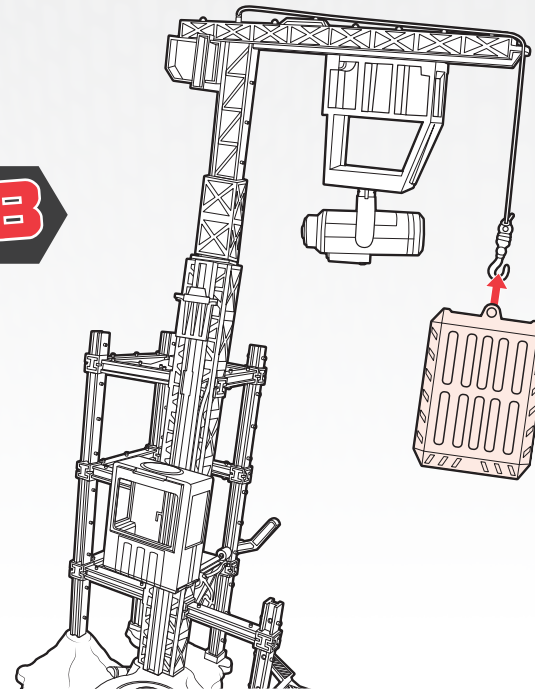
**16**

Attach Crane Beam to top of Tower.



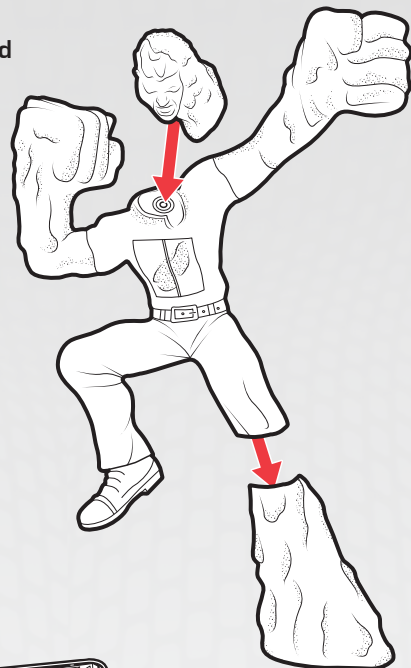
**18**

Attach Cage to hook on Crane string.



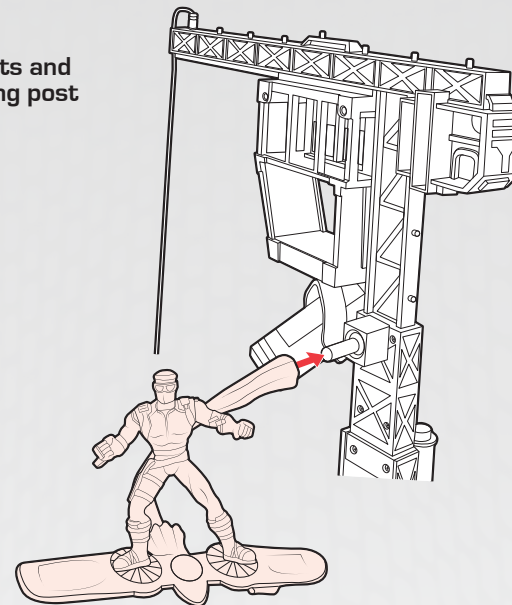
19

Attach SANDMAN foot and head to SANDMAN figure.

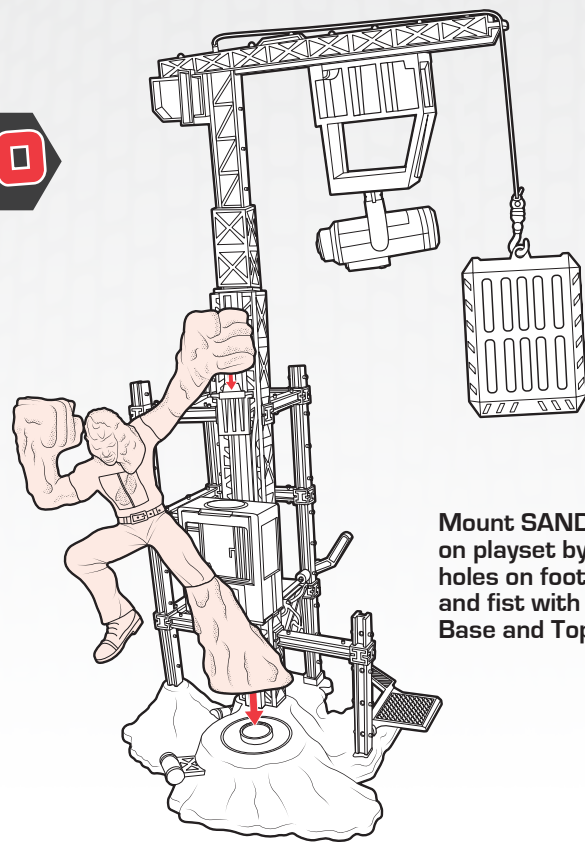


21

Attach smoke effects and sky stick to mounting post on crane beam.

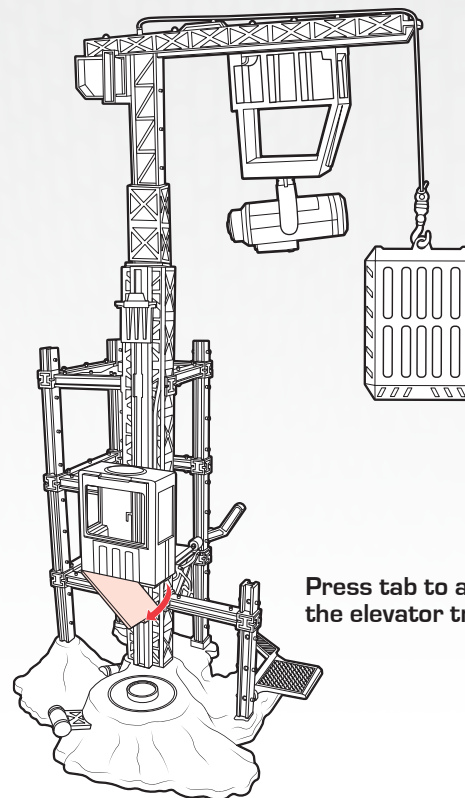


20

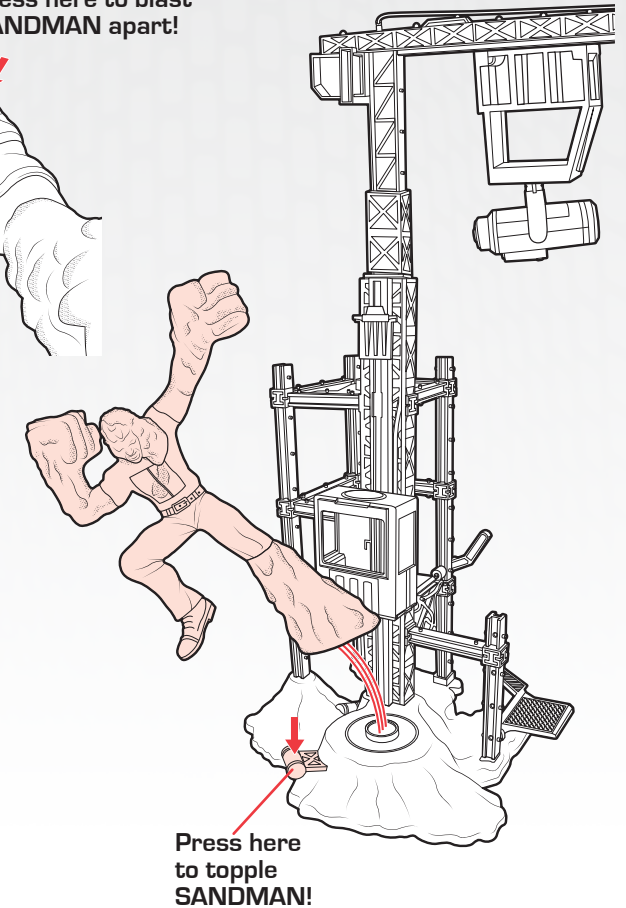
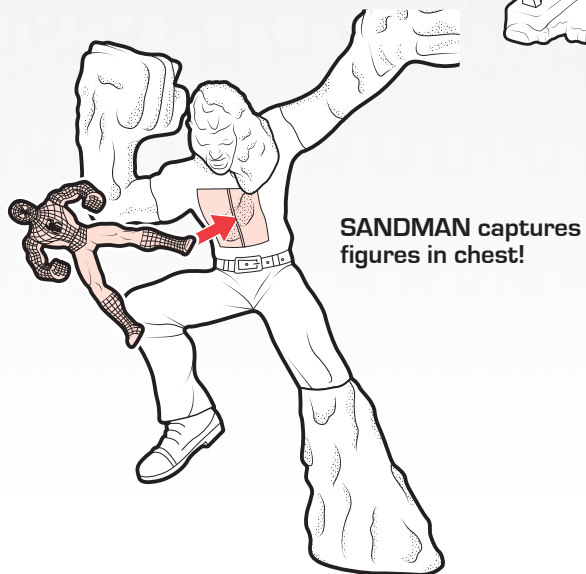
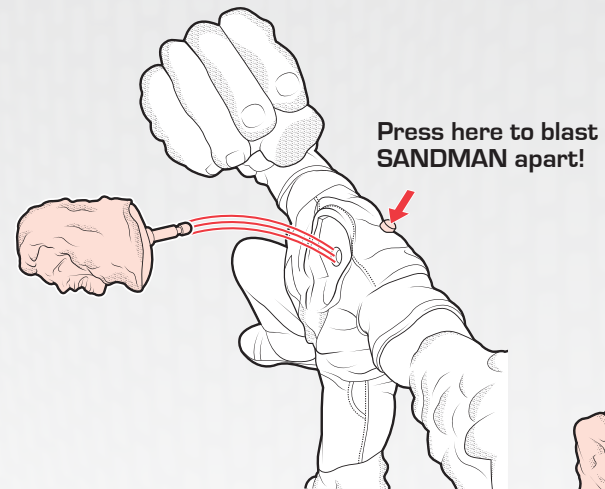
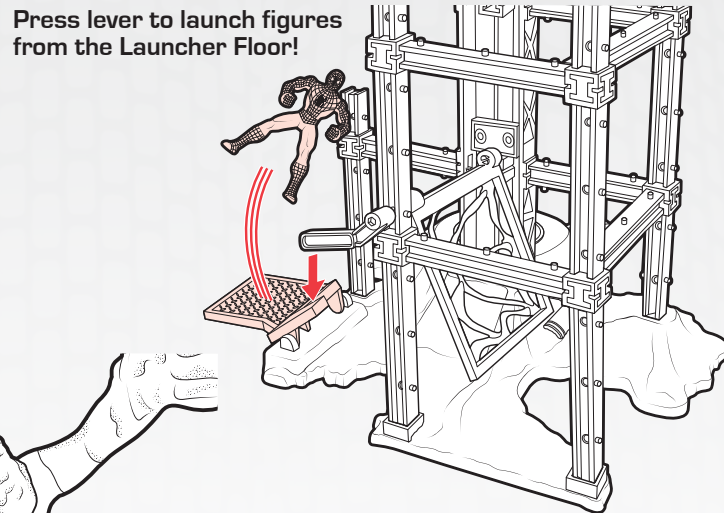
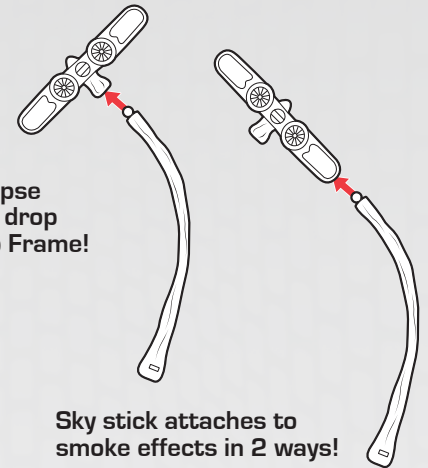
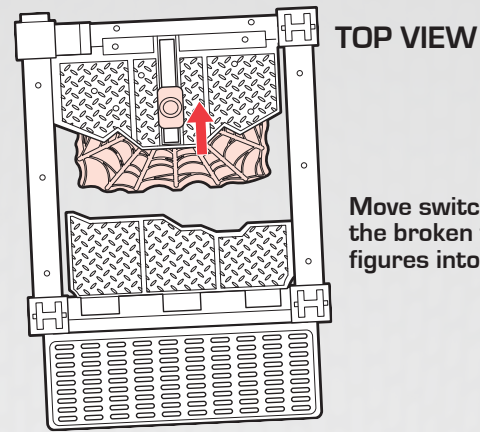
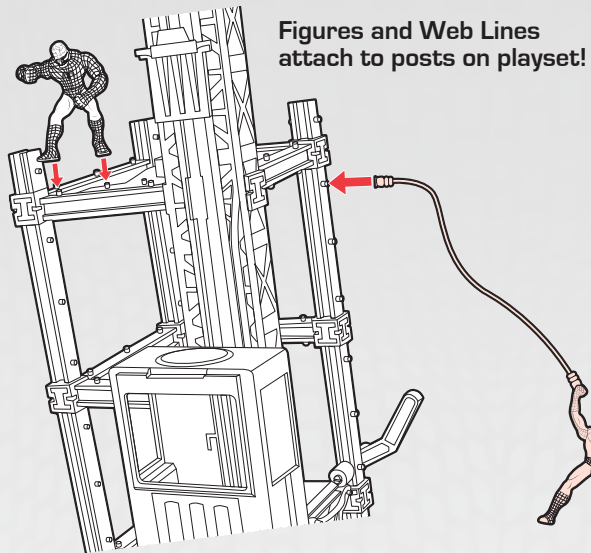


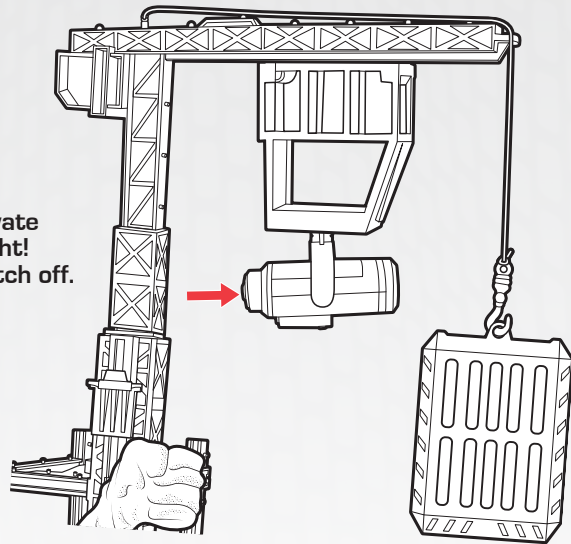
Mount SANDMAN on playset by aligning holes on foot bottom and fist with posts on Base and Top Mount.

Time for web-slinging action!



Press tab to activate the elevator trap door!





Press here to activate  
the glowing spotlight!  
Press again to switch off.

### ⚠ CAUTION

1. As with all small batteries, the batteries used with this toy should be kept away from small children who still put things in their mouths. If they are swallowed, promptly see a doctor and have the doctor phone (202) 625-3333 collect. In other countries, have the doctor call your local poison control center.
2. Make sure the batteries are inserted correctly and always follow the toy and battery manufacturer's instructions.
3. Do not mix old and new batteries, alkaline, standard (carbon-zinc) or rechargeable (nickel-cadmium) batteries.

### IMPORTANT: BATTERY INFORMATION

Please retain this information for future reference.  
Batteries should be replaced by an adult.

### ⚠ CAUTION

1. Always follow the instructions carefully. Use only batteries specified and be sure to insert item correctly by matching the + and - polarity markings.
2. Do not mix old and new batteries or standard (carbon-zinc) with alkaline batteries.
3. Remove exhausted or dead batteries from the product.
4. Remove batteries if product is not to be played with for a long time.
5. Do not short-circuit the supply terminals.
6. Should this product cause, or be affected by, local electrical interference, move it away from other electrical equipment. Reset (switching off and back on again or removing and reinserting batteries) if necessary.
7. RECHARGEABLE BATTERIES: Do not mix these with any other types of batteries. Always remove from the product before recharging. Recharge batteries under adult supervision. DO NOT RECHARGE OTHER TYPES OF BATTERIES.
8. As with all small items, these batteries should be kept away from children. If swallowed, seek medical attention immediately.

SPIDER-MAN  
MERCHANDISING

COLUMBIA  
PICTURES

© 2006 COLUMBIA PICTURES INDUSTRIES, INC. ALL RIGHTS RESERVED.



Not suitable for children  
under 3 years because of  
small parts — choking hazard.



MARVEL

TM & © denote U.S. Trademarks.

Spider-Man and all related characters and the distinctive likeness thereof: TM & © 2007 Marvel Characters, Inc.  
Spider-Man 3, the Movie: TM & © 2007 Columbia Pictures Industries, Inc. All rights reserved.  
www.marvel.com  
©\* and/or TM\* & © 2007 Hasbro. All Rights Reserved.

P/N: 6697880000



## Free Manuals Download Website

<http://myh66.com>

<http://usermanuals.us>

<http://www.somanuals.com>

<http://www.4manuals.cc>

<http://www.manual-lib.com>

<http://www.404manual.com>

<http://www.luxmanual.com>

<http://aubethermostatmanual.com>

Golf course search by state

<http://golfingnear.com>

Email search by domain

<http://emailbydomain.com>

Auto manuals search

<http://auto.somanuals.com>

TV manuals search

<http://tv.somanuals.com>