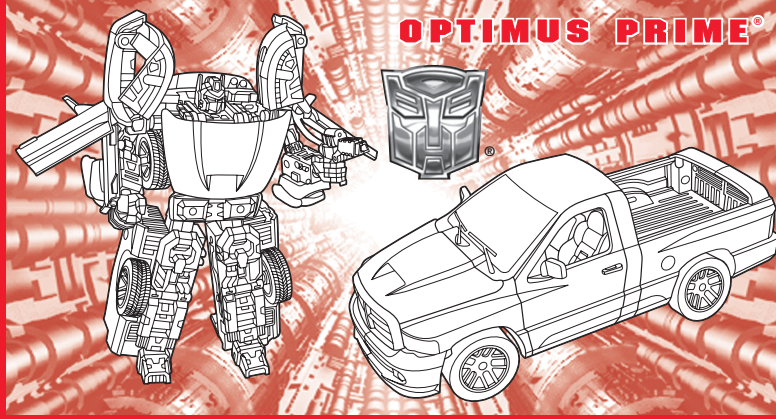


# TRANSFORMERS ALTERNATORS

ROBOTS IN DISGUISE®



AGES 5+

81327/81328 Asst.



**WARNING:**

CHOKING HAZARD-Small parts.  
Not for children under 3 years.

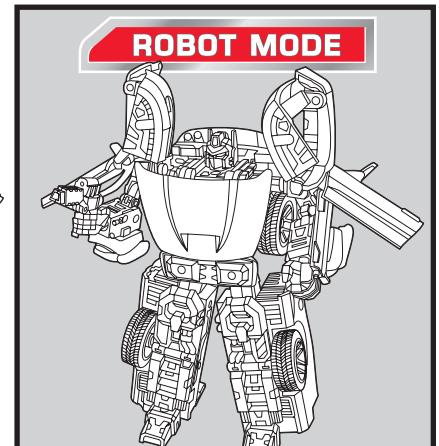
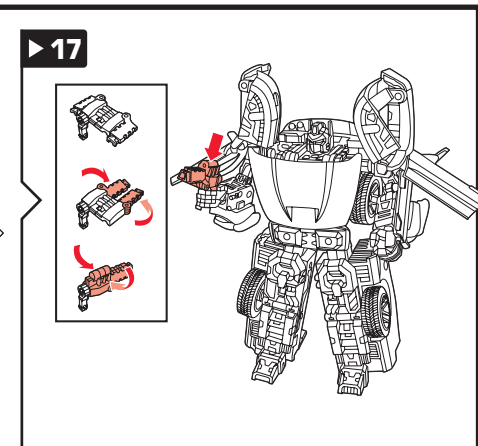
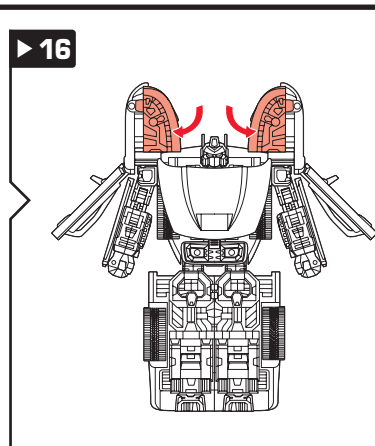
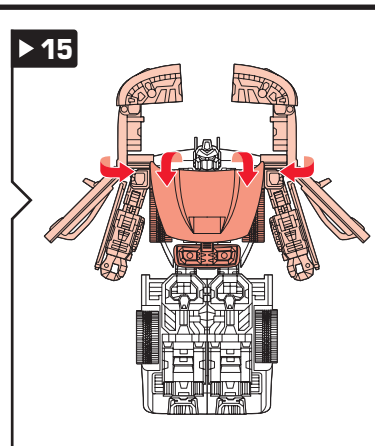
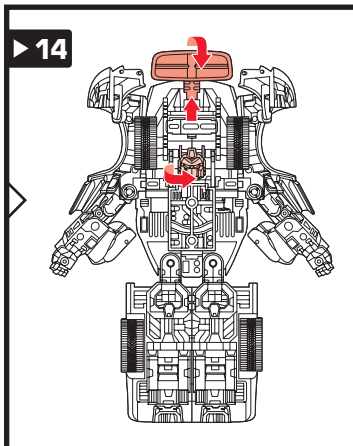
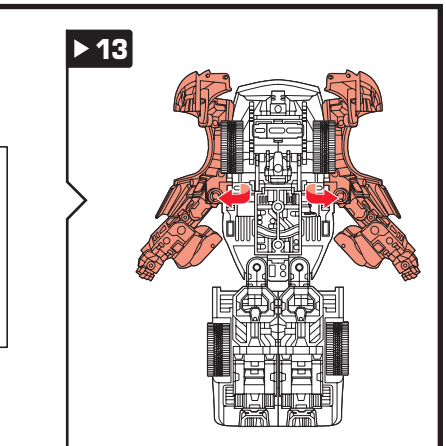
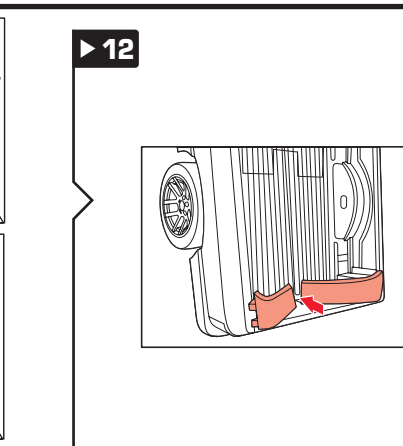
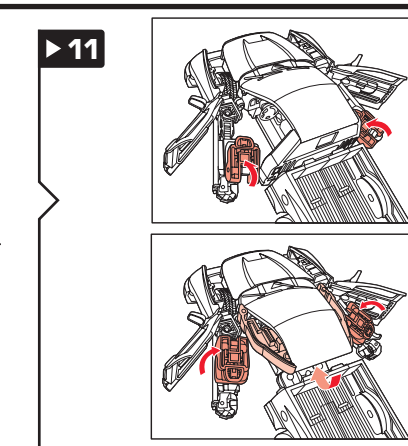
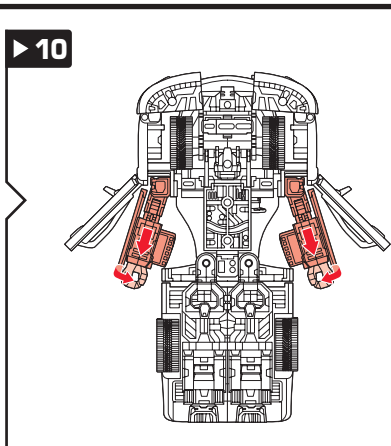
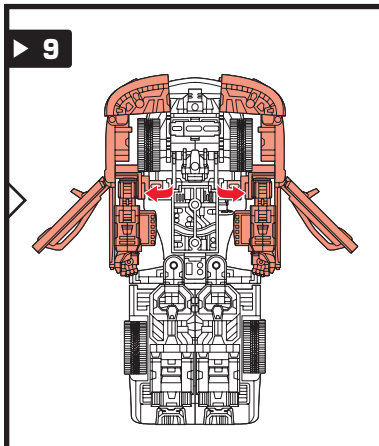
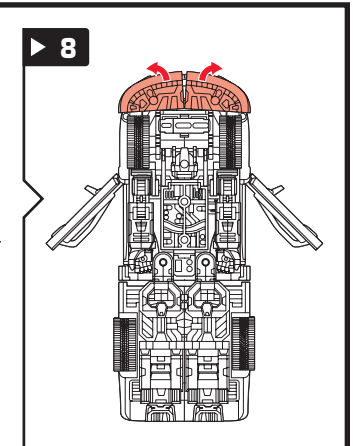
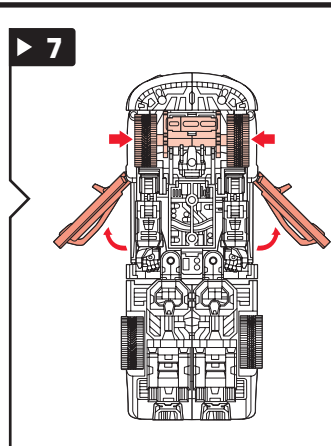
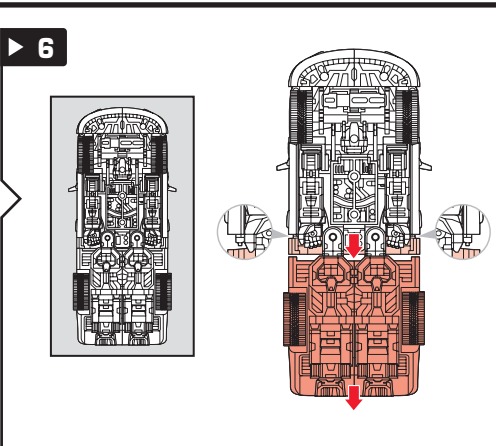
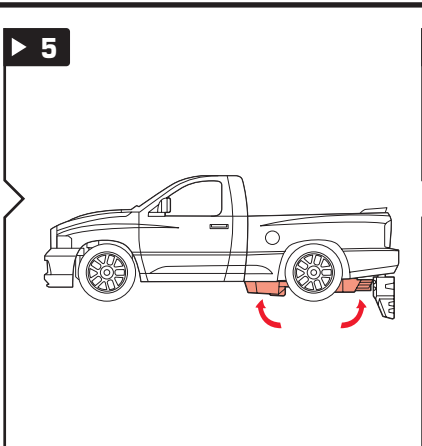
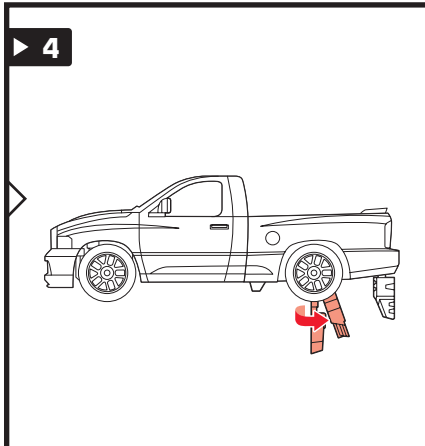
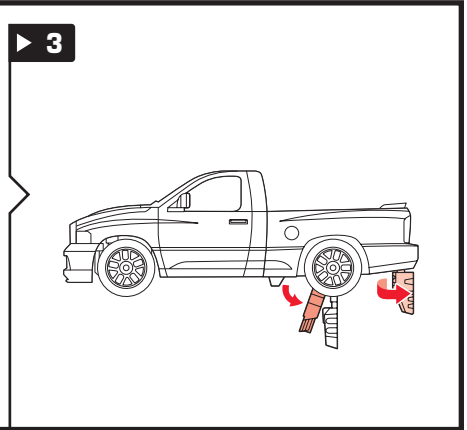
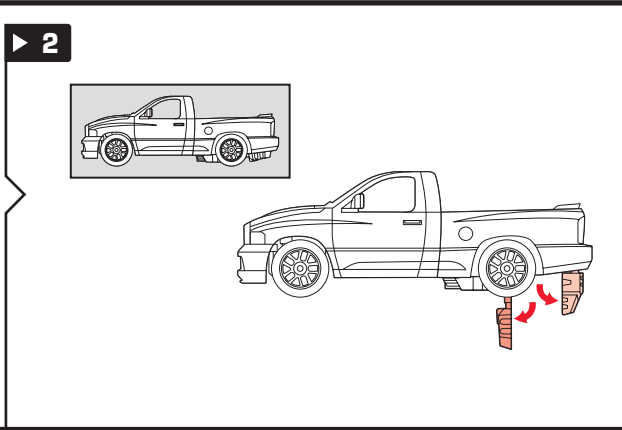
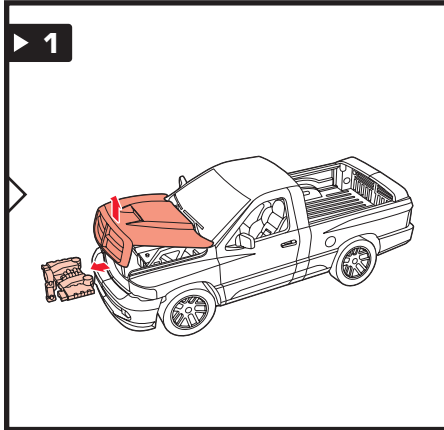
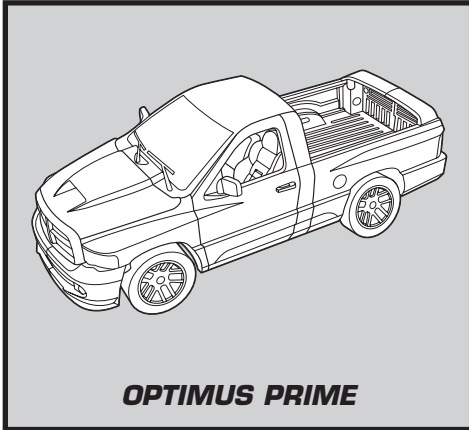
transformers.com

P/N 655220000

## INSTRUCTIONS

**NOTE:** Some parts are made to detach if excessive force is applied and are designed to be reattached if separation occurs. Adult supervision may be necessary for younger children.

### CHANGING TO ROBOT



© 2005 Hasbro. All Rights Reserved.  
TM & © denote U.S. Trademarks.  
Manufactured under license from Takara Co., Ltd.

Some poses may require hand support.  
Product and colors may vary.

Visit



TRANSFORMERS.COM

Reverse order of instructions  
to convert back into vehicle.

## Free Manuals Download Website

<http://myh66.com>

<http://usermanuals.us>

<http://www.somanuals.com>

<http://www.4manuals.cc>

<http://www.manual-lib.com>

<http://www.404manual.com>

<http://www.luxmanual.com>

<http://aubethermostatmanual.com>

Golf course search by state

<http://golfingnear.com>

Email search by domain

<http://emailbydomain.com>

Auto manuals search

<http://auto.somanuals.com>

TV manuals search

<http://tv.somanuals.com>